



工業用ミシン部品カタログ

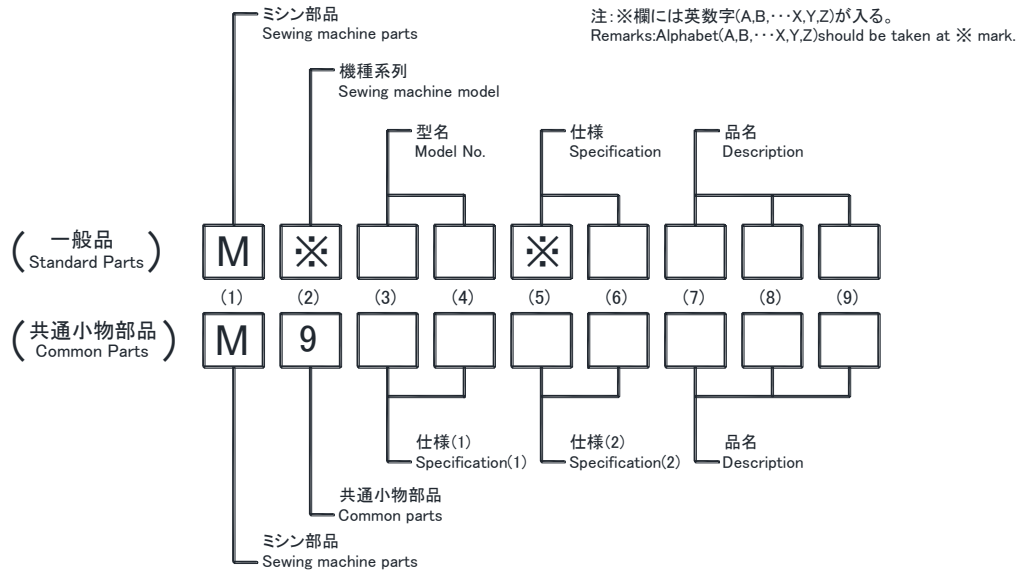
Industrial Sewing Machine Parts Catalog

Model LU2-4400-B0B
LU2-4410-B1T-CS
LU2-4420-B0B
LU2-4430-B1T

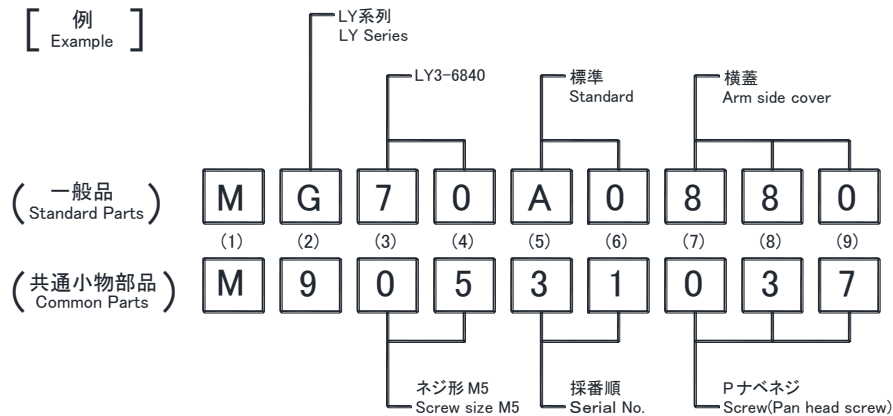
| 目次 | CONTENTS | Page |
|----------------|---|------|
| A 本体部分 | Body & it's accessories | 2 |
| B 糸調節器部分 | Thread tension regulator mechanism | 4 |
| C 上軸機構 | Upper shaft mechanism | 6 |
| D 上部上下送り・押え機構 | Upper feed lifting & presser foot mechanism | 8 |
| E 針棒・天秤機構 | Needle bar & thread take-up lever mechanism | 10 |
| F 縫目加減機構 | Stitch regulator mechanism | 12 |
| G 下軸・送り機構 | Lower shaft & feed rocking motion mechanism | 14 |
| H カマ台機構 | Hook saddle mechanism | 16 |
| J 糸切り機構 (I) | Thread trimming mechanism (I) | 18 |
| K 糸切り機構 (II) | Thread trimming mechanism (II) | 20 |
| L タッチバック・検出器機構 | Touch back & detector mechanism | 22 |
| M 給油機構 | Oil lubrication mechanism | 24 |
| N 付属品 | Accessories | 26 |
| P ゲージ部品表 | Gauge parts list | 28 |
| Q オプションパーツ | Option parts | 30 |
| 索引 | Index | 31 |

ミシン部品コードの採番基準

SPARE PARTS No. Designation system



[例]
Example



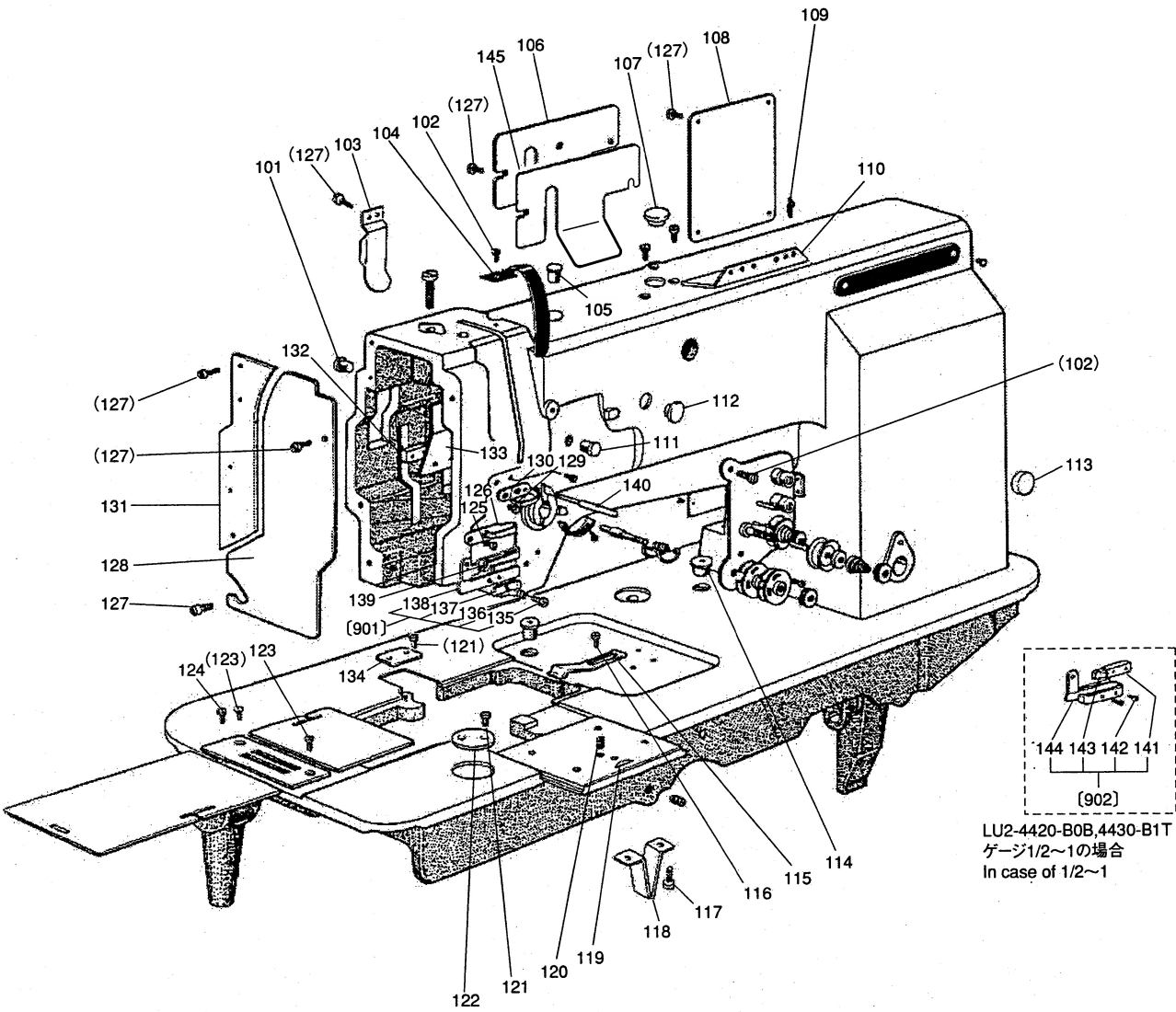
注: 一般品についての機種型名は、その部品が最初に使用された機種型名を示します。従って長期にわたる場合は、機種の変更が行われるため、当初の機種以外の機種で使用されている場合があります。
Sewing machine Models, of Standard Parts are Indicated model of these parts are registered firstly. Parts are used for not only the indicated model, but also another models, in reason of New development, improvement after.

パーツカタログご利用に際して Information on use of the parts catalog

- ・補用品ご注文の際は、部品コードでご注文下さい。また、このパーツブックの管理番号と発行年月(表紙右下、例えば、P-1...202104)モデル機械番号を、合わせてご連絡頂ければ幸いです。
- ・一部の部品について、改良のため予告なしに変更になる場合がありますのでご了承下さい。
- ・このパーツカタログは、2021年4月のデータにもとづいて作成されたものです。
- ・部品コード欄が、 — となっている部品は、補給いたしません。ただし組コードが記載されているものは、組部品として補給いたしますので、組コードでご注文下さい。
- ・使用個数欄の英数字組合せ文字は、このモデル番号のサブ機械番号をしめています。
- ・尚、本パーツブックの記載内容にお気付きの点がありましたら、お知らせ頂ければ幸いです。

- ・When ordering any spare part, please specify its part code. In addition, please specify the management number and issued date of this parts catalog (e.g.P-1 202104 indicated at bottom right of the front cover) and the machine model number.
- ・Some parts are subject to change due to modification without notice.
- ・This parts catalog is based the as of April 2021.
- ・Any part marked-in the part code column will not be supplied. When a part has its assembly code, please specify the assembly code because that part is supplied as an assembly part.
- ・Alphanumerical characters indicated in the required quantity column indicate the sub machine number of this model number.
- ・Please write to us if you have any question on this parts catalog.

A 本体関係
 BODY & IT'S ACCESSORIES



[A] 本体関係
BODY & IT'S ACCESSORIES

| Fig. No. | 変更 Mod. | 部品コード Parts. No. | 部品名 | Description | 使用個数 Amt. Req. | | | |
|----------|---------|------------------|-------------------------|---|----------------|------|---------|------|
| | | | | | 4400 | 4420 | 4410-CS | 4430 |
| A101 | | M90883080 | ゴムセン | Rubber plug 8.8 | 2 | 2 | 2 | 2 |
| A102 | | M91106004 | フ ラマイネジ | Screw 11/64 (40) × 8 | 3 | 3 | 3 | 3 |
| A103 | | MP60A0339 | カバー | Cover | 1 | 1 | 1 | 1 |
| A104 | | MP60A0584 | テンションカバー | Thread take-up cover | 1 | 1 | 1 | 1 |
| A105 | | M91304080 | セン | Rubber plug 13 | 1 | 1 | 1 | 1 |
| A106 | | MP60A1880 | ヨコブタ | Arm cover | 1 | 1 | 1 | 1 |
| A107 | | MP60A0500 | セン | Rubber plug 23 | 1 | 1 | 1 | 1 |
| A108 | | ML70A0237 | ウラブタ | Arm cover | 1 | 1 | 1 | 1 |
| A109 | | M91116002 | ヒラネジ | Screw 11/64 (40) × 8 | 2 | 2 | 2 | 2 |
| A110 | | MN40A0180 | イトアンナイ | Thread guide | 1 | 1 | 1 | 1 |
| A111 | | M91305080 | セン | Rubber plug 13 | 1 | 1 | 1 | 1 |
| A112 | | M91910080 | セン | Rubber plug 19 | 1 | 1 | 1 | 1 |
| A113 | | M91604080 | セン | Rubber plug 16 | 1 | 1 | 1 | 1 |
| A114 | | MN10A4742 | フタ | Oil cap | 2 | 2 | 2 | 2 |
| A115 | | MP61A0192 | イタパネ | Spring | 1 | - | 1 | - |
| A116 | | M91128003 | マルヒラネジ | Screw 11/64 (40) × 6 | 2 | 2 | 2 | 2 |
| A117 | | M91601003 | マルヒラネジ | Screw 1/4 (24) × 9 | - | - | 2 | 2 |
| A118 | | MN50A0426 | ササエ | Supporter | - | - | 1 | 1 |
| A119 | | MN70A2472 | スベリリタマエクミタテ | Slide plate (front) | - | 1 | - | 1 |
| A120 | | M91301001 | トメネジ | Set screw 13/64 (32) × 4 | - | 1 | - | 1 |
| A121 | | M90903010 | サラネジ | Screw 9/64 (40) × 6 | - | - | 2 | 4 |
| A122 | | MN50A5742 | フタ | Cover | - | - | - | 1 |
| A123 | | M91104011 | マルサラネジ | Screw 11/64 (40) × 8 | 2 | 1 | 2 | 1 |
| A124 | | M90952003 | マルヒラネジ | Screw 9/64 (36) × 6.5 | - | 1 | - | 1 |
| A125 | | M90904011 | マルサラネジ | Screw 9/64 (40) × 6.5 | 1 | 1 | 1 | 1 |
| A126 | | MN10A1181 | イトアンナイ | Thread guide | 1 | 1 | 1 | 1 |
| A127 | | M91109004 | ザガネツキフ ラマイネジ | Screw-PW 11/64 (40) × 9 | 13 | 13 | 13 | 13 |
| A128 | | MP60A1830 | メンイタ | Face plate | 1 | 1 | 1 | 1 |
| A129 | | M91201011 | マルサラネジ | Screw 3/16 (28) × 11 | 2 | 2 | 2 | 2 |
| A130 | | MN10A0181 | イトアンナイ | Thread guide | 1 | 1 | 1 | 1 |
| A131 | | MP60A0601 | ガイトトリツケイタ | Adapter | 1 | 1 | 1 | 1 |
| A132 | | MN10A0476 | スベリサ | Spacer | 1 | 1 | 1 | 1 |
| A133 | | MN10A0131 | アブラウケ | Plate | 1 | 1 | 1 | 1 |
| A134 | | MP61A0742 | フタ | Cover | - | - | 1 | - |
| A134 | | MP63A0742 | フタ | Cover | - | - | - | 1 |
| A135 | | M90804016 | マルヒラネジ タンツキ | Screw 1/8 (44) × 3 | 1 | 1 | 1 | 1 |
| A136 | | MP60A2572 | ツルマキパネ | Spring | 1 | 1 | 1 | 1 |
| A137 | | MP60A0202 | イトオサエ | Plate | 1 | 1 | 1 | 1 |
| A138 | | MP60A0180 | イトアンナイ | Thread guide | 1 | 1 | 1 | 1 |
| A139 | | M90920002 | ヒラネジ | Screw 9/64 (40) × 6.5 | 1 | 1 | 1 | 1 |
| A140 | | M90514060 | イトユルメピン | Thread releasing pin | 1 | 1 | - | - |
| A140 | | M90516060 | イトユルメピン | Thread releasing pin | - | - | 1 | 1 |
| A141 | | MP00B0477 | ストツパ | Stopper | - | 1 | - | 1 |
| A142 | | M90604002 | ヒラネジ | Screw 3/32 (56) × 2.2 | - | 2 | - | 2 |
| A143 | | MP00B0740 | フェルト | Felt | - | 1 | - | 1 |
| A144 | | MP00B1180 | イトアンナイ | Thread guide | - | 1 | - | 1 |
| A145 | | MP60A0431 | ホウユシート | Sheet | 1 | 1 | 1 | 1 |
| A901 | | MP60E0180 | イトアンナイクミタテ | Thread guide assy. | 1 | - | 1 | - |
| A901 | | MP62E0180 | イトアンナイクミタテ | Thread guide assy. | - | 1 | - | 1 |
| A902 | | MN62E0180 | イトアンナイクミタテ (1/2"~1"の場合) | Thread guide assy. (In case of 1/2" ~ 1") | - | 1 | - | 1 |

ⓑ 上糸調節器部分
 THREAD TENSION REGULATOR MECHANISM

Fig.901 LU2-4400-B0B

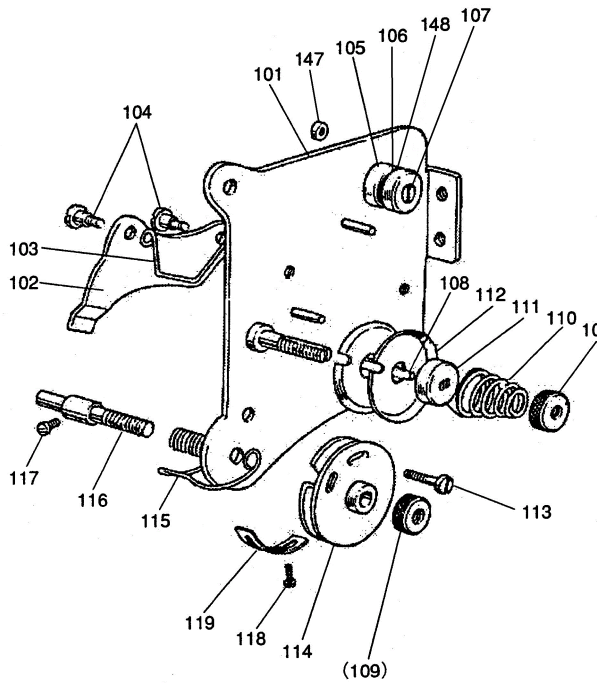


Fig.902 LU2-4420-B0B

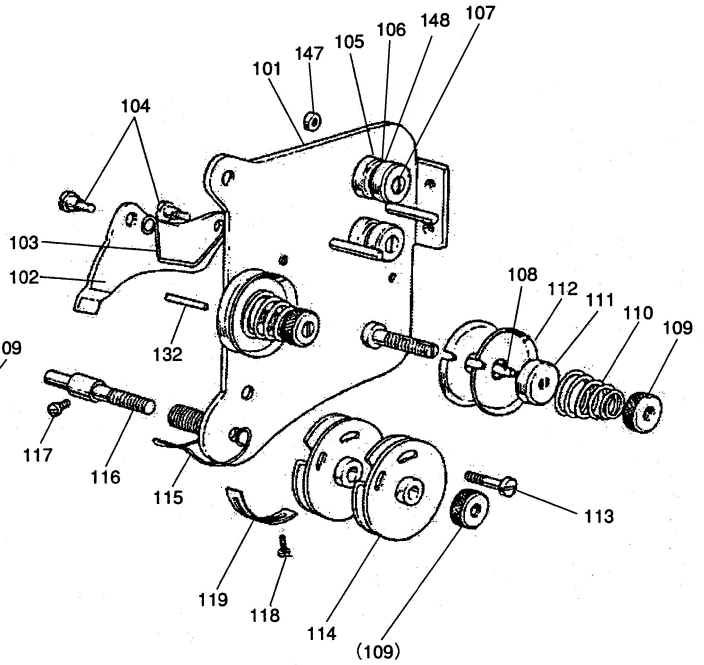


Fig.903 LU2-4410-B1T-CS

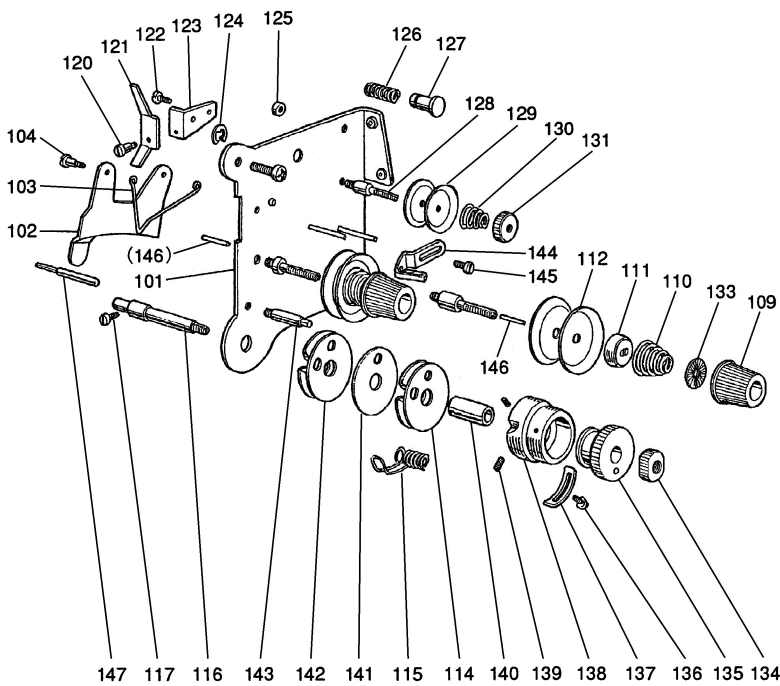
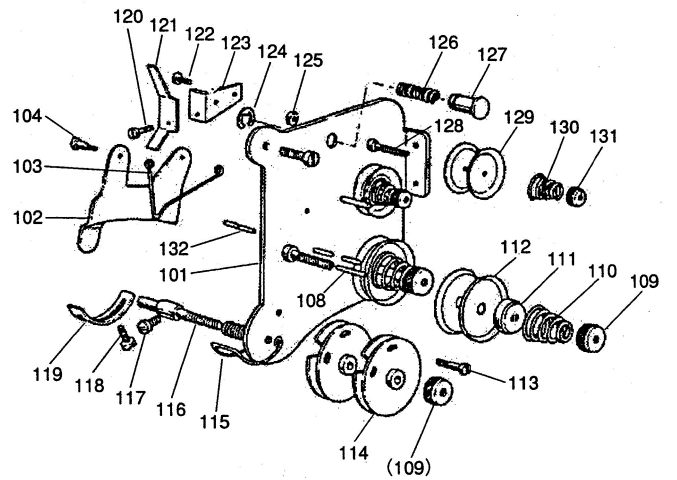


Fig.904 LU2-4430-B1T



[B] 上糸調節器部分
 THREAD TENSION REGULATOR MECHANISM

| Fig. No. | 変更 Mod. | 部品コード Parts. No. | 部品名 | Description | 使用個数 Amt. Req. | | | |
|----------|---------|------------------|----------------|--------------------------------|----------------|------|---------|------|
| | | | | | 4400 | 4420 | 4410-CS | 4430 |
| B101 | | MP40E0601 | トリツケイタクミタテ | Mounting plate assy. | 1 | - | - | - |
| B101 | | MN10A0601 | トリツケイタクミタテ | Mounting plate assy. | - | 1 | - | - |
| B101 | | MP61A2601 | トリツケイタクミタテ | Mounting plate assy. | - | - | 1 | - |
| B101 | | MN50E0601 | トリツケイタクミタテ | Mounting plate assy. | - | - | - | 1 |
| B102 | | MN10A0220 | イトユルメ | Tension releasing plate | 1 | 1 | - | - |
| B102 | | MN50E0220 | イトユルメカコウス | Tension releasing plate | - | - | 1 | 1 |
| B103 | | MN10A0851 | センサイクハネ | Reverse spring | 1 | 1 | 1 | 1 |
| B104 | | M90902015 | ヒラネジ タンツキ | Hinged screw 9/64(40) × 6 | 2 | 2 | 2 | 2 |
| B105 | | MN10A0155 | アンナイダ イ | Thread guide bracket | 1 | 2 | - | - |
| B106 | | MN10A1555 | チヨウシザ ラ | Thread tension disc | 1 | 2 | - | - |
| B107 | | M90930016 | マルヒラネジ タンツキミタテ | Screw | 1 | 2 | - | - |
| B108 | | M90202060 | ピン | Thread releasing pin 2 × 10.6 | 1 | 1 | - | 1 |
| B109 | | M91603046 | ツマミナット | Thumb nut 1/4 (40) | 2 | 3 | - | 3 |
| B109 | | M91610046 | ツマミナット | Thumb nut 1/4 (40) | - | - | 2 | - |
| B110 | | MF23C0245 | エンスイハネ | Tension spring | 1 | 2 | - | - |
| B110 | | MP41A0245 | エンスイハネ | Tension spring | - | - | 2 | 2 |
| B111 | | MN10A0556 | チヨウシザ ラオサエ | Thread tension presser disc | 1 | 2 | - | 2 |
| B111 | | MH40A0556 | チヨウシザ ラオサエ | Thread tension presser disc | - | - | 2 | - |
| B112 | | MN10A0555 | チヨウシザ ラ | Thread tension disc | 2 | 4 | - | 4 |
| B112 | | MF10A0555 | チヨウシザ ラ | Thread tension disc | - | - | 4 | - |
| B113 | | M90602003 | マルヒラネジ | Screw 3/32(56) × 6 | 1 | - | - | - |
| B113 | | M90603003 | マルヒラネジ | Screw 3/32(56) × 12 | - | 1 | - | 1 |
| B114 | | MN10E0175 | イタクミタテ | Thread control disc assy. | 1 | 2 | - | 2 |
| B114 | | MN70E1175 | イタクミタテ | Thread control disc assy. | - | - | 1 | - |
| B115 | | MP60A1187 | イトトリハネ | Thread take-up spring | 1 | - | - | - |
| B115 | | MP62A0187 | イトトリハネ | Thread take-up spring | - | 1 | - | 1 |
| B115 | | MP61A0187 | イトトリハネ | Thread take-up spring | - | - | 1 | - |
| B116 | | MP10B0554 | チヨウシザ ク | Thread tension stud | 1 | - | - | - |
| B116 | | MN10A0554 | チヨウシザ ク | Thread tension stud | - | 1 | - | 1 |
| B116 | | MN70A0554 | チヨウシザ ク | Thread tension stud | - | - | 1 | - |
| B117 | | M90910003 | マルヒラネジ | Screw 9/64(40) × 7 | 1 | 1 | 1 | 1 |
| B118 | | M90920002 | ヒラネジ | Screw 9/64(40) × 6.5 | 1 | 1 | - | 1 |
| B119 | | MN10A0477 | ストッパ | Stopper | 1 | 1 | - | 1 |
| B120 | | M90927015 | ヒラネジ タンツキ | Hinged screw 9/64(40) × 5 | - | - | 1 | 1 |
| B121 | | MN72A0950 | レバ | Lever | - | - | 1 | 1 |
| B122 | | M90906002 | ヒラネジ | Screw 9/64(40) × 4.5 | - | - | 1 | 1 |
| B123 | | MN50A6601 | トリツケイタ | Mounting plate | - | - | 1 | 1 |
| B124 | | M90505065 | エガ タ トメワ 5 | Retaining ring (E type) 5 | - | - | 1 | 1 |
| B125 | | M91101045 | ナット | Nut 11/64(40) | - | - | 1 | 1 |
| B126 | | MN50A4572 | ツルマキハネ | Coil spring | - | - | 1 | 1 |
| B127 | | MP41A1270 | オシボ タン | Push button | - | - | 1 | 1 |
| B128 | | MF10A1553 | チヨウシザ ウ | Thread tension stud | - | - | - | 2 |
| B128 | | MN70A1553 | チヨウシザ ウ | Thread tension stud | - | - | 1 | - |
| B129 | | MN50A0555 | チヨウシザ ラ | Thread tension disc | - | - | - | 4 |
| B129 | | MF10A1555 | チヨウシザ ラ | Thread tension disc | - | - | 2 | - |
| B130 | | MP61A0245 | コイルハネ | Spring | - | - | - | 2 |
| B130 | | MF36A0245 | コイルハネ | Spring | - | - | 1 | - |
| B131 | | M91609046 | ツマミナット | Thumb nut 1/4(40) | - | - | - | 2 |
| B131 | | M91101046 | ツマミナット | Thumb nut 11/64(40) | - | - | 1 | - |
| B132 | | M90203060 | ピン | Thread releasing pin 2 × 14.2 | - | 1 | - | 1 |
| B133 | | MT60A0802 | マワリトメ | Thumb nut revolution stopper | - | - | 2 | - |
| B134 | | M91611046 | ツマミナット | Thumb nut 1/40 (40) | - | - | 1 | - |
| B135 | | MN70A0573 | ツマミ | Take-up spring guide | - | - | 1 | - |
| B136 | | M90915003 | マルヒラネジ | Screw 9/64(40) X6 | - | - | 1 | - |
| B137 | | MN70A0477 | ストッパ | Stopper | - | - | 1 | - |
| B138 | | MN70A0154 | アンナイガネ | Thread tension post | - | - | 1 | - |
| B139 | | M90802001 | トメネジ | Set screw 1/8(44) × 3.5 | - | - | 2 | - |
| B140 | | MN70A0750 | ブッシュ | Bushing | - | - | 1 | - |
| B141 | | MN70A0308 | イタ | Thread control disc | - | - | 1 | - |
| B142 | | MN70E0175 | イタクミタテ | Thread control disc assy. | - | - | 1 | - |
| B143 | | M90928015 | タンツキネジ | Screw 9/64(40) × 2.9 | - | - | 1 | - |
| B144 | | MN69A0181 | イトアンナイ | Thread guide | - | - | 1 | - |
| B145 | | M90909003 | マルヒラネジ | Screw 9/64(40) × 6 | - | - | 1 | - |
| B146 | | M97008060 | ピン | Pin | - | - | 2 | - |
| B147 | | M90901045 | ナット | Nut 9/64(40) | 1 | 2 | - | - |
| B148 | | MN10A1572 | ツルマキハネ | Coil spring | 1 | 2 | - | - |
| B901 | | MP60E1210 | チヨウセツキミタテ | Thread tension regulator assy. | 1 | - | - | - |
| B902 | | MP62E1210 | チヨウセツキミタテ | Thread tension regulator assy. | - | 1 | - | - |
| B903 | | MP61E2210 | チヨウセツキミタテ | Thread tension regulator assy. | - | - | 1 | - |
| B904 | | MP63E1210 | チヨウセツキミタテ | Thread tension regulator assy. | - | - | - | 1 |

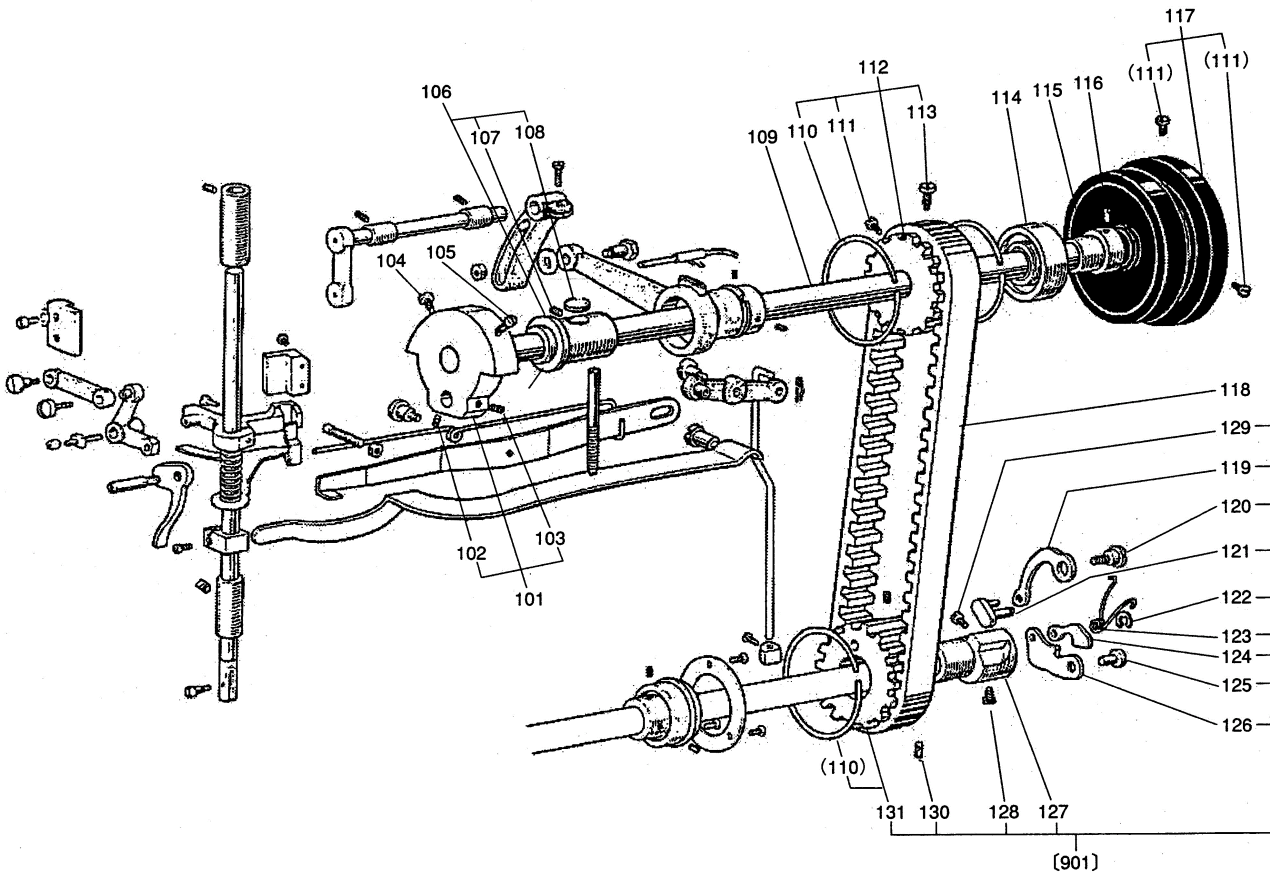
注 1) Fig. No. B117, B118はそれぞれFig. No. B901~B904には含まれておりません。

2) Fig. No. B901~B904はP3のFig. No. A140を含みます。

Remarks 1) Fig. No. B117 and B118 aren't included in Fig. No. B901 - B904.

2) Fig. No. B904 - B904 include Fig. No. A140 of P. 3

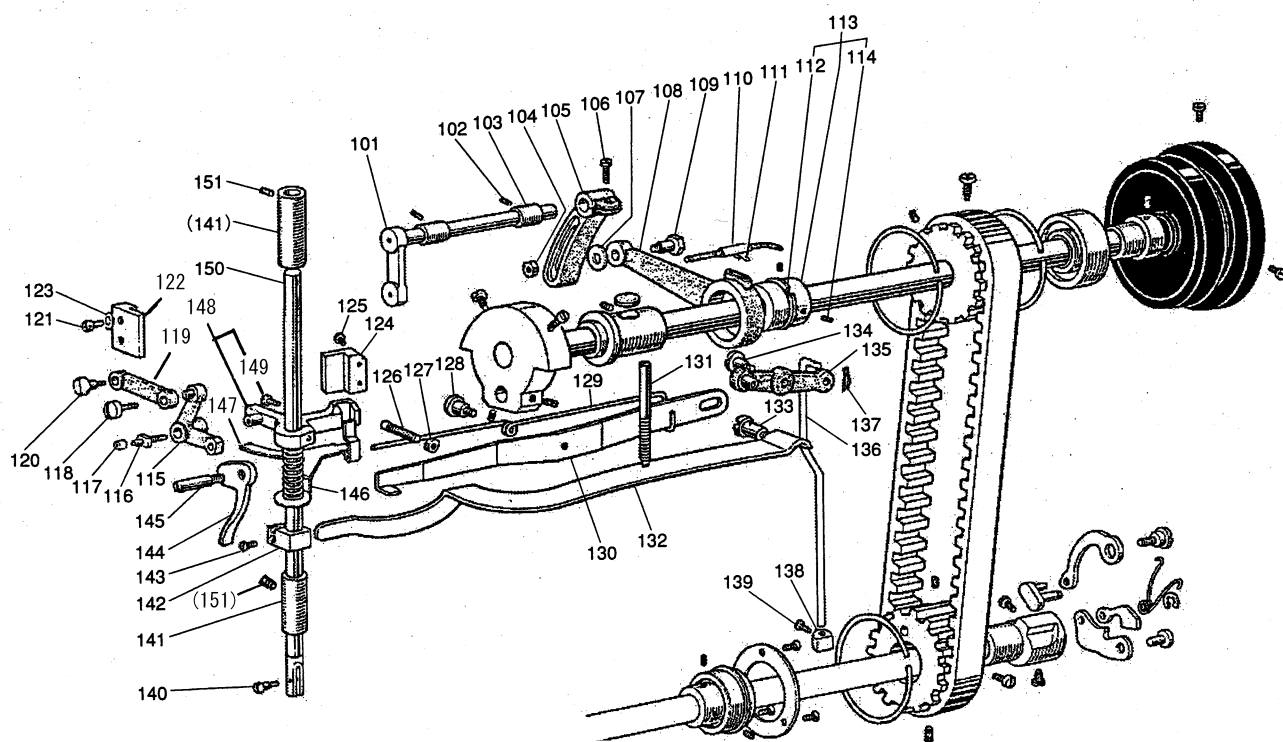
㊦ 上軸機構
UPPER SHAFT MECHANISM



[C] 上軸機構
UPPER SHAFT MECHANISM

| Fig. No. | 変更 Mod. | 部品コード Parts. No. | 部品名 | Description | 使用個数 Amt. Req. | | | |
|----------|---------|------------------|----------------|-----------------------------|----------------|------|---------|------|
| | | | | | 4400 | 4420 | 4410-CS | 4430 |
| C101 | | MP40A0383 | クランククミタテ | Crank | 1 | 1 | - | 1 |
| C101 | | MN42A0383 | クランククミタテ | Crank | - | - | 1 | - |
| C102 | | M91602001 | トメネジ | Set screw 1/4 (40) × 3.5 | 1 | 1 | 1 | 1 |
| C103 | | M91606001 | トメネジ | Set screw 1/4 (40) × 7 | 1 | 1 | 1 | 1 |
| C104 | | M91801002 | ヒラネジ | Screw 9/32 (28) × 13 | 1 | 1 | 1 | 1 |
| C105 | | M91802006 | ヒラネジ ホウサキ | Screw 9/32 (28) × 14 | 1 | 1 | 1 | 1 |
| C106 | | MN50A0232 | ウワジクメタルヒタルクミタテ | Arm shaft bushing (Left) | 1 | 1 | 1 | 1 |
| C107 | | M91654001 | トメネジ | Set screw 1/4 (24) × 13 | 1 | 1 | 1 | 1 |
| C108 | | MN10A6740 | フェルト | Felt | 1 | 1 | 1 | 1 |
| C109 | | MP60A0230 | ウワジク | Arm shaft | 1 | 1 | 1 | 1 |
| C110 | | MN10A1851 | センサイクハネ | Spring flange | 3 | 3 | 3 | 3 |
| C111 | | M91502002 | ヒラネジ | Screw 15/64 (28) × 12 | 3 | 3 | 1 | 1 |
| C112 | | MP40A0768 | ハカクタルクマクミタテ | Belt pulley (Upper) | 1 | 1 | 1 | 1 |
| C113 | | M91501007 | マルヒラネジ ホウサキ | Screw 15/64 (28) × 14.5 | 1 | 1 | 1 | 1 |
| C114 | | MN10A1456 | ジクウケ | Bushing | 1 | 1 | - | - |
| C115 | | MN40A1750 | フツシユ | Bushing for arm shaft | 1 | 1 | - | - |
| C116 | | M91516002 | ヒラネジ | Screw 15/64 (28) × 8.5 | 2 | 2 | - | - |
| C117 | | MV11E0682 | フーリークミタテ | Pulley assy. | 1 | 1 | - | - |
| C118 | | MP40A0523 | ハカクタル | Cog belt | 1 | 1 | 1 | 1 |
| C119 | | MP00B0871 | イタハネ | Spring plate | 1 | 1 | 1 | 1 |
| C120 | | M90605063 | ヘンシンジク | Eccentric hinged pin | 1 | 1 | 1 | 1 |
| C121 | | MP00B1910 | リンク | Link | 1 | 1 | 1 | 1 |
| C122 | | M90513065 | エカクタルメワ 2.5 | Retaining ring (E type) 2.5 | 1 | 1 | 1 | 1 |
| C123 | | MP00B0729 | ヒネリハネ | Twist spring | 1 | 1 | 1 | 1 |
| C124 | | MP00B0346 | ツメ | Clutch plate | 1 | 1 | 1 | 1 |
| C125 | | M90617063 | ダンツキシク | Hinged pin | 1 | 1 | 1 | 1 |
| C126 | | MP00B0952 | ツメ | Plate for safety clutch | 1 | 1 | 1 | 1 |
| C127 | | MP00B1750 | フツシユ | Bushing | 1 | 1 | 1 | 1 |
| C128 | | M91503007 | マルヒラネジ ホウサキ | Screw 15/64 (28) × 10.5 | 1 | 1 | 1 | 1 |
| C129 | | M91501003 | ヒラネジ | Screw 15/64 (28) × 10 | 1 | 1 | 1 | 1 |
| C130 | | M91503001 | トメネジ | Set screw 15/64 (28) × 4.5 | 2 | 2 | 2 | 2 |
| C131 | | MP00B0768 | ハカクタルクマ | Cog belt pulley (Lower) | 1 | 1 | 1 | 1 |
| C901 | | MP00E0768 | ハカクタルクマクミタテ | Cog belt pulley assy. | 1 | 1 | 1 | 1 |

㊦ 上部上下送り・押え機構
UPPER FEED LIFTING & PRESSER FOOT MECHANISM

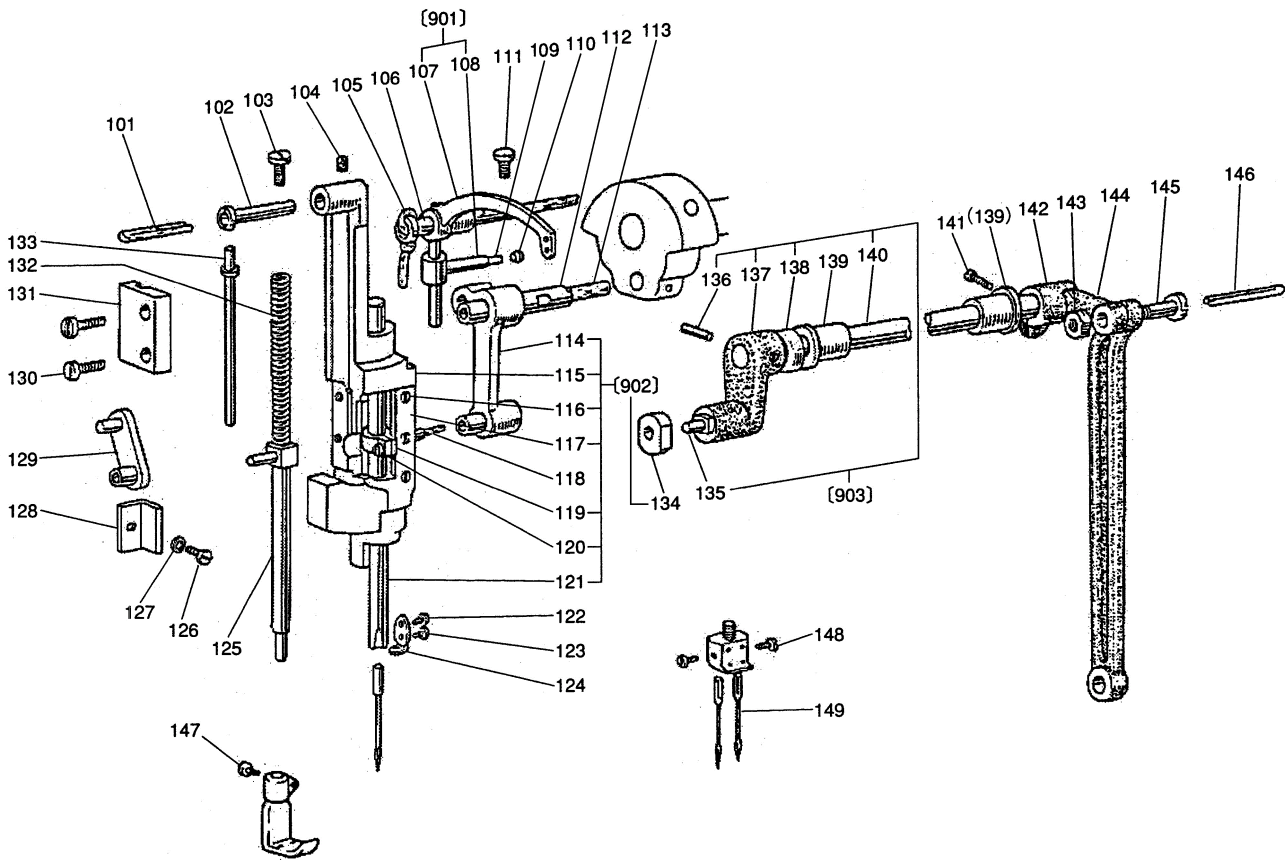


[D] 上部上下送り・押え機構
UPPER FEED LIFTING & PRESSER FOOT MECHANISM

| Fig. No. | 変更 Mod. | 部品コード Parts. No. | 部品名 | Description | 使用個数 Amt. Req. | | | |
|----------|---------|------------------|--------------|-----------------------------|----------------|------|---------|------|
| | | | | | 4400 | 4420 | 4410-CS | 4430 |
| D101 | | MP40A0268 | サドウジク | Feed lifting rock shaft | 1 | 1 | 1 | 1 |
| D102 | | M91653001 | トメネジ | Set screw 1/4(24)×5 | 2 | 2 | 2 | 2 |
| D103 | | MG10B0833 | ジヨウブジヨウケメタル | Bushing | 2 | 2 | 2 | 2 |
| D104 | | M91572045 | U ナット | Nut M6(0.75) | 1 | 1 | 1 | 1 |
| D105 | | MP00B0462 | ジヨウブジヨウケウテミキ | Lifting rock shaft crank | 1 | 1 | 1 | 1 |
| D106 | | M91603003 | マルヒラネジ | Screw 1/4(24)×16 | 1 | 1 | 1 | 1 |
| D107 | | M90607050 | ミガキサガネ 6 | Washer 6 | 1 | 1 | 1 | 1 |
| D108 | | MG33A0956 | レンセツカン | Crank rod | 1 | 1 | 1 | 1 |
| D109 | | M91551015 | トクシユホルト | Hinged Screw M6(0.75)×24 | 1 | 1 | 1 | 1 |
| D110 | | MP40E5688 | パイフヒモクミタテ | Oil pipe assy. | 1 | 1 | 1 | 1 |
| D111 | | MF60A0700 | センサイクハネ | Spring for felt supporter | 1 | 1 | 1 | 1 |
| D112 | | M90325065 | Cガタメウジヨウ 25 | Retaining ring (C type) 25 | 1 | 1 | 1 | 1 |
| D113 | | MP00B1760 | ヘンシンリンクミタテ | Eccentric for upper lifting | 1 | 1 | 1 | 1 |
| D114 | | M91606001 | トメネジ | Set screw 1/4(40)×7 | 2 | 2 | 2 | 2 |
| D115 | | MP41A0763 | ベルクラック | Bell crank | 1 | 1 | 1 | 1 |
| D116 | | M90507063 | ササエジク | Roller stud | 1 | 1 | 1 | 1 |
| D117 | | MG10B0411 | コロ | Roller | 1 | 1 | 1 | 1 |
| D118 | | M91151003 | マルヒラネジ | Screw 11/64(32)×6 | 1 | 1 | 1 | 1 |
| D119 | | MP41A0956 | レンセツカン | Link for bell crank | 1 | 1 | 1 | 1 |
| D120 | | M91681015 | ヒラネジ タンツキ | Hinged screw 1/4(40)×12 | 1 | 1 | 1 | 1 |
| D121 | | M91111003 | マルヒラネジ | Screw 11/64(40)×10 | 2 | 2 | 2 | 2 |
| D122 | | MP41A0765 | ベルクラックガイド | Bell crank guide | 1 | 1 | 1 | 1 |
| D123 | | M90450050 | ミガキサガネ 4 | Washer 4 | 2 | 2 | 2 | 2 |
| D124 | | MN50A0265 | オサエホウダキガイド | Guide | 1 | 1 | 1 | 1 |
| D125 | | M91112002 | ヒラネジ | Screw 11/64(40)×12 | 2 | 2 | 2 | 2 |
| D126 | | M91653002 | ヒラネジ | Screw 1/4(24)×19 | 1 | 1 | 1 | 1 |
| D127 | | M91601045 | ナット | Nut 1/4(24) | 1 | 1 | 1 | 1 |
| D128 | | M91601016 | マルヒラネジ タンツキ | Screw 1/4(24)×14 | 1 | 1 | 1 | 1 |
| D129 | | MP40A0729 | ヒネリハネ | Spring | 1 | 1 | 1 | 1 |
| D130 | | MN40A0725 | ヒザアケレバ | knee lifter lifting lever | 1 | 1 | 1 | 1 |
| D131 | | M91506033 | ヒンネジ | Screw 15/64(28)×79 | 1 | 1 | 1 | 1 |
| D132 | | MN10A0258 | イタハネ | Presser spring | 1 | 1 | 1 | 1 |
| D133 | | M91602016 | マルヒラネジ タンツキ | Hinged screw 1/4(24)×29 | 1 | 1 | 1 | 1 |
| D134 | | M91606016 | マルヒラネジ タンツキ | Hinged screw 1/4(24)×30 | 1 | 1 | 1 | 1 |
| D135 | | MN40E0724 | ヒザアケウテクミタテ | Knee lifter crank assy. | 1 | 1 | 1 | 1 |
| D136 | | MP41A0511 | ソウサホウ | Knee lifter connecting rod | 1 | 1 | 1 | 1 |
| D137 | | M90105062 | スナツブヒン | Snap pin | 1 | 1 | 1 | 1 |
| D138 | | MN10A0352 | カラー | Collar | 1 | 1 | 1 | 1 |
| D139 | | M91107002 | ヒラネジ | Screw 11/64(40)×5.5 | 1 | 1 | 1 | 1 |
| D140 | | M90851015 | ヒラネジ タンツキ | Hinged screw 1/8(44)×9 | 1 | 1 | 1 | 1 |
| D141 | | MN10A0267 | オサエホウメタル | Bushing for presser bar | 2 | 2 | 2 | 2 |
| D142 | | ML75E0702 | バネウケ | Spring support bracket | 1 | 1 | 1 | 1 |
| D143 | | M90905002 | ヒラネジ | Screw 9/64(40)×8.5 | 1 | 1 | 1 | 1 |
| D144 | | MN10A0252 | オサエアケレバ | Presser bar lifting lever | 1 | 1 | 1 | 1 |
| D145 | | M91113033 | ヒンネジ | Screwed pin 11/64(40)×8.5 | 1 | 1 | 1 | 1 |
| D146 | | MP00B1572 | ツルマキハネ | Coil spring | 1 | 1 | - | - |
| D147 | | MN40A0221 | イトユルメ | Tension releasing plate | 1 | 1 | - | - |
| D148 | | MP40A0265 | オサエホウダキクミタテ | Presser bar holding bracket | 1 | 1 | 1 | 1 |
| D149 | | M91113002 | ヒラネジ | Screw 11/64(40)×15 | 1 | 1 | 1 | 1 |
| D150 | | MN10A0262 | オサエホウ | Presser bar | 1 | 1 | 1 | 1 |
| D151 | | M91654001 | トメネジ | Set screw 1/4(24)×13 | 2 | 2 | 2 | 2 |

針棒・天秤機構

NEEDLE BAR & THREAD TAKE-UP LEVER MECHANISM

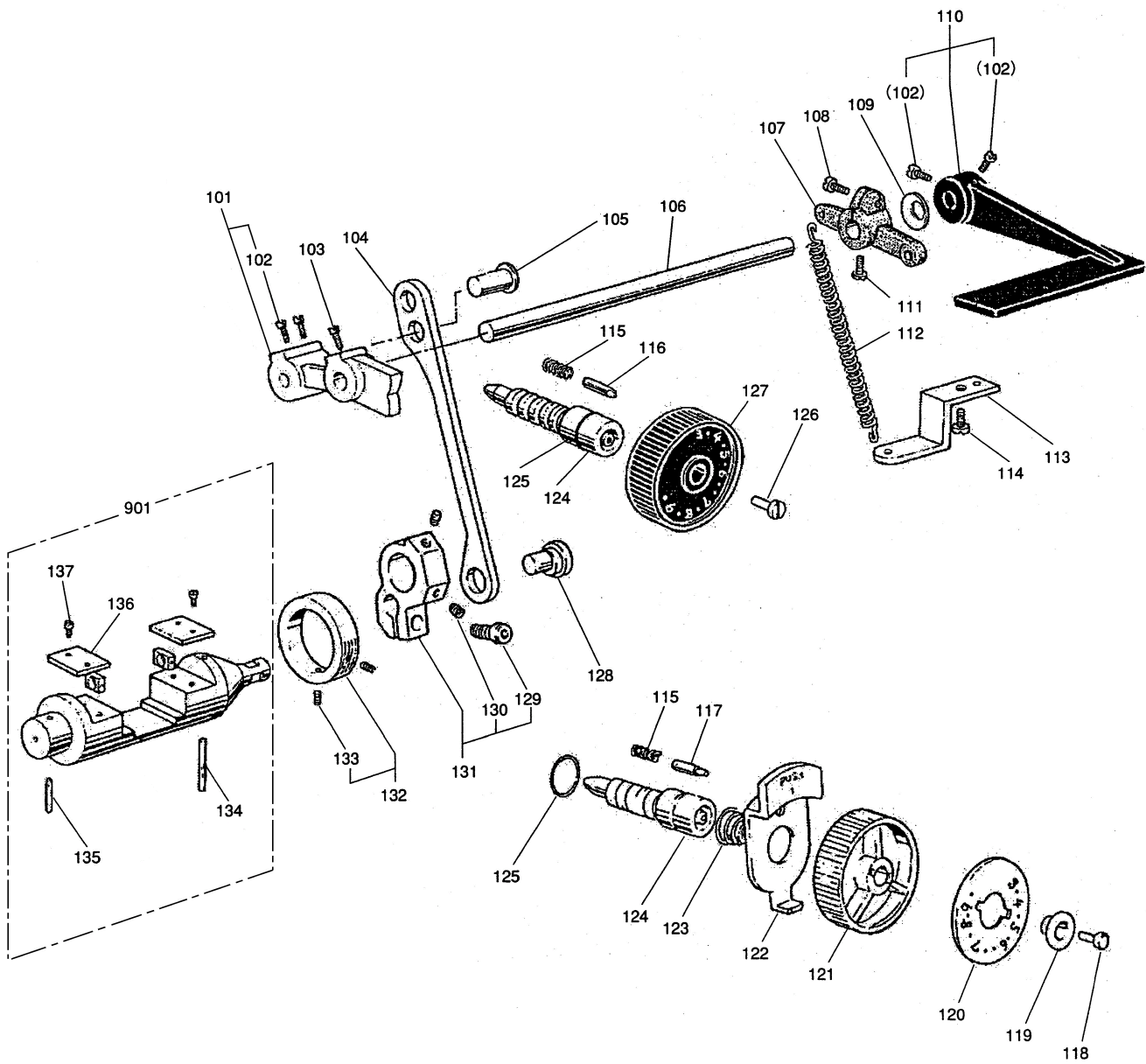


[E] 針棒・天秤機構

NEEDLE BAR & THREAD TAKE-UP LEVER MECHANISM

| Fig. No. | 変更 Mod. | 部品コード Parts. No. | 部品名 | Description | 使用個数 Amt. Req. | | | |
|----------|---------|------------------|------------------|-------------------------------------|----------------|------|---------|------|
| | | | | | 4400 | 4420 | 4410-CS | 4430 |
| E101 | | MF10E2148 | ヒモ | Oil Wick 2.5×80 | 1 | 1 | 1 | 1 |
| E102 | | MP40A0425 | ササエシク | Pin for bracket supporter | 1 | 1 | 1 | 1 |
| E103 | | M92003002 | ヒラネジ | Screw 5/16(28)×10 | 1 | 1 | 1 | 1 |
| E104 | | M91506001 | トメネジ | Set screw 15/64(28)×7 | 1 | 1 | 1 | 1 |
| E105 | | MN70E1148 | ヒモ | OIL WICK 2.0×240 | 1 | 1 | 1 | 1 |
| E106 | | MN10A0587 | テンピンササエシク | Pin for thread take-up lever | 1 | 1 | 1 | 1 |
| E107 | | ----- | テンピン | Thread take-up lever | - | - | 1 | - |
| E107 | | ----- | テンピン | Thread take-up lever | 1 | 1 | - | 1 |
| E108 | | ----- | スベリカネ | Slide block | 1 | 1 | 1 | 1 |
| E109 | | MF10E3148 | ヒモ | Oil wick 3×25 | 1 | 1 | 1 | 1 |
| E110 | | MN10A0500 | セン | Plug | 1 | 1 | 1 | 1 |
| E111 | | M91502002 | ヒラネジ | Screw 15/64(28)×12 | 1 | 1 | 1 | 1 |
| E112 | | MN70A0387 | ハリボウ克蘭クジク | Needle bar crank pin | 1 | 1 | 1 | 1 |
| E113 | | MP60A0148 | ヒモ | Oil wick 3×80 | 1 | 1 | 1 | 1 |
| E114 | | MP00B0661 | レンセツカン | Needle bar connecting link | 1 | 1 | 1 | 1 |
| E115 | | ----- | ハリボウウサエ | Needle bar guide bracket | 1 | 1 | 1 | 1 |
| E116 | | M90604011 | マルサラネジ | Screw 3/32(56)×4 | 6 | 6 | 6 | 6 |
| E117 | | ----- | スベリサ | Spacer | 2 | 2 | 2 | 2 |
| E118 | | MN10A0740 | フェルト | Felt | 1 | 1 | 1 | 1 |
| E119 | | MP00B0665 | ハリボウウダキ | Needle bar holder | 1 | 1 | 1 | 1 |
| E120 | | M90945003 | マルヒラネジ | Screw 9/64(40)×8.5 | 1 | 1 | 1 | 1 |
| E121 | | MP60A0660 | ハリボウウ | Needle bar | 1 | - | 1 | - |
| E121 | | MP62A0660 | ハリボウウ | Needle bar | - | 1 | - | 1 |
| E122 | | M90602002 | ヒラネジ | Screw 3/32(56)×3 | 1 | - | 1 | - |
| E123 | | M90813002 | ヒラネジ | Screw 1/8(44)×4.4 | 1 | - | 1 | - |
| E124 | | MP46A0181 | イトアンナイ | Thread guide | 1 | - | 1 | - |
| E125 | | MP00B0881 | オサエボウ | Vibrating presser bar | 1 | 1 | 1 | 1 |
| E126 | | M90107024 | ミゾツキホルト | Screw 11/64(40)×12 | 1 | 1 | 1 | 1 |
| E127 | | M90451050 | ザガネ | Washer 4 | 1 | 1 | 1 | 1 |
| E128 | | MN80A1154 | アンナイカネ | Needle bar guide | 1 | 1 | 1 | 1 |
| E129 | | MP00B0882 | リンク | Vibrating presser bar link | 1 | 1 | 1 | 1 |
| E130 | | M91113002 | ヒラネジ | Screw 11/64(40)×15 | 2 | 2 | 2 | 2 |
| E131 | | MP00B0883 | アンナイカネ | Vibrating presser bar guide | 1 | 1 | 1 | 1 |
| E132 | | MH19A0259 | ツルマキバネ | Coil spring | 1 | 1 | 1 | 1 |
| E133 | | ML75A0884 | アンナイボウ | Vibration presser spring guide | 1 | 1 | 1 | 1 |
| E134 | | MN25A0325 | カクコマ | Square block | 1 | 1 | 1 | 1 |
| E135 | | M90509060 | ササエシク | Connecting stud 5.5×9.5 | 1 | 1 | 1 | 1 |
| E136 | | M90401061 | テーパピン | Taper pin 4×23 | 1 | 1 | 1 | 1 |
| E137 | | MP60A0672 | ハリボウウヨウトウウテヒタリ | Needle bar vibrating crank (Left) | 1 | 1 | 1 | 1 |
| E138 | | MN50A0352 | カラ | Collar | 1 | 1 | 1 | 1 |
| E139 | | MN40A0669 | ハリボウウヨウトウウジクメタル | Bushing for needle bar rock shaft | 2 | 2 | 2 | 2 |
| E140 | | MP60A0668 | ハリボウウヨウトウウジク | Needle bar vibrating shaft assy. | 1 | 1 | 1 | 1 |
| E141 | | M91603003 | マルヒラネジ | Screw 1/4(24)×16 | 1 | 1 | 1 | 1 |
| E142 | | MN55A2672 | ハリボウウヨウトウウテミキ | Needle bar rock shaft crank (Right) | 1 | 1 | 1 | 1 |
| E143 | | M92002045 | ナット | Nut 5/16(24) | 1 | 1 | 1 | 1 |
| E144 | | MN25A0671 | レンセツカン | Needle bar rock shaft crank | 1 | 1 | 1 | 1 |
| E145 | | M92001015 | ヒラネジ タンツキ | Hinged screw 5/16(24)×26.2 | 1 | 1 | 1 | 1 |
| E146 | | MF10E2148 | ヒモ | Oil wick 2.5×85 | 1 | 1 | 1 | 1 |
| E147 | | M91108002 | ヒラネジ | Screw 11/64(40)×7 | 1 | 1 | 1 | 1 |
| E148 | | M90946003 | マルヒラネジ | Screw 9/64(40)×3.4 | - | 2 | - | 2 |
| E149 | | MP20B0128 | ミシンハリ DP×17-23 | Needle DP×17-23 | 1 | 2 | - | 2 |
| E149 | | ML75A0128 | ミシンハリ DP×17-21 | Needle DP×17-21 | - | - | 1 | - |
| E901 | | MP60E0582 | テンピンスベリカネクミタテ | Thread take-up lever assy. | 1 | 1 | - | 1 |
| E901 | | MP41E0582 | テンピンスベリカネクミタテ | Thread take-up lever assy. | - | - | 1 | - |
| E902 | | MP60E1666 | ハリボウウサエクミタテ | Needle bar guide bracket assy. | 1 | - | 1 | - |
| E902 | | MP62E1666 | ハリボウウサエクミタテ | Needle bar guide bracket assy. | - | 1 | - | 1 |
| E903 | | MP60E0668 | ハリボウウヨウトウウテジクミタテ | Needle bar vibrating shaft assy. | 1 | 1 | 1 | 1 |

F 縫目加減機構
 STITCH REGULATOR MECHANISM



[F] 縫目加減機構
STITCH REGULATOR MECHANISM

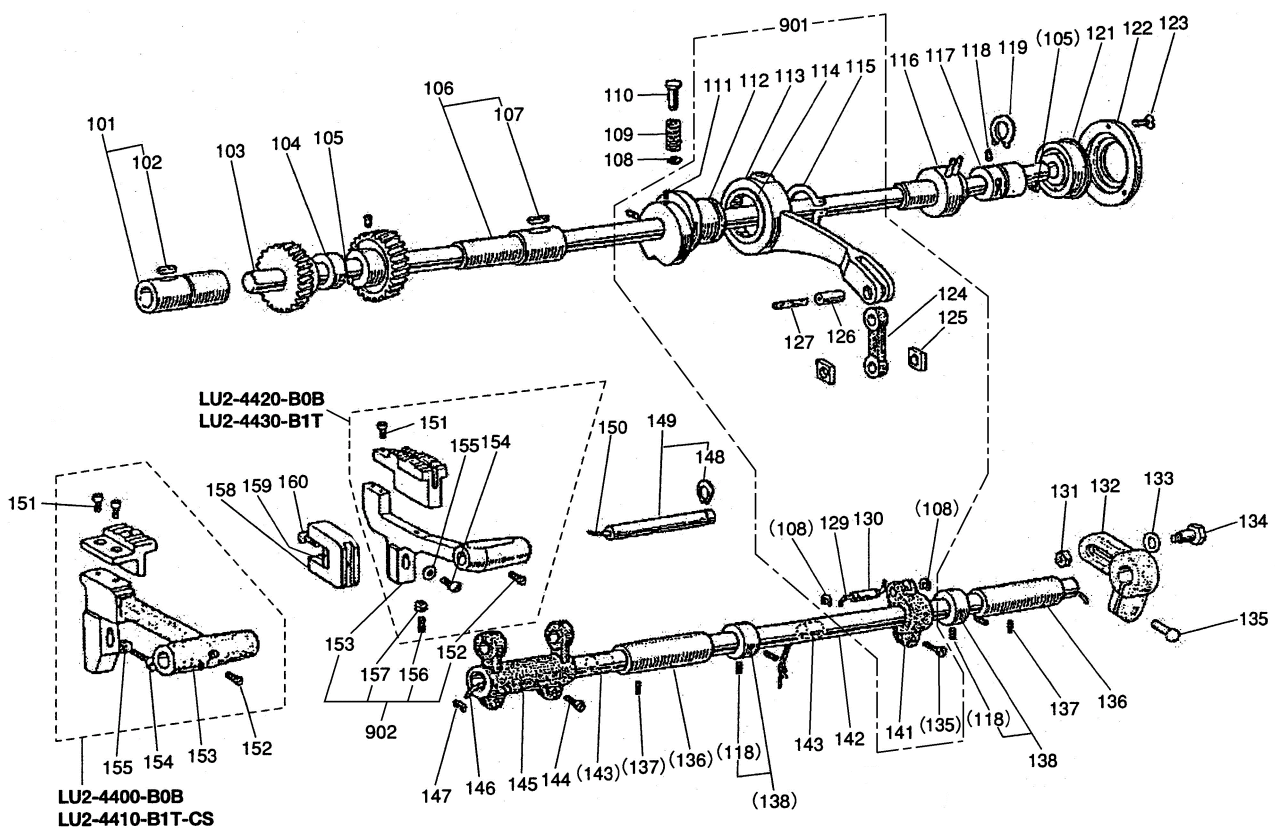
| Fig. No. | 変更 Mod. | 部品コード Parts. No. | 部品名 | Description | 使用個数 Amt. Req. | | | |
|----------|---------|------------------|------------------|--------------------------------|----------------|------|---------|------|
| | | | | | 4400 | 4420 | 4410-CS | 4430 |
| F101 | | MN70E0291 | オクリチヨウセツカムクミタテ | Feed regulator cam assy. | 1 | 1 | 1 | 1 |
| F102 | | M91516002 | ヒラネジ | Screw 15/64 (28) × 8.5 | 4 | 4 | 2 | 2 |
| F103 | | M91505007 | ヒラネジ ホウサキ | Screw 15/64 (28) × 12 | 1 | 1 | 1 | 1 |
| F104 | | MP60A0956 | レンセツカン | Link | 1 | 1 | 1 | 1 |
| F105 | | M90904060 | ピン | Pin | 1 | 1 | 1 | 1 |
| F106 | | MN40A1320 | カエシヌイジ クウエ | Reverse stitch shaft (Upper) | 1 | 1 | - | - |
| F106 | | MN50A0320 | カエシヌイジ クウエ | Reverse stitch shaft (Upper) | - | - | 1 | 1 |
| F107 | | MP60A0228 | ウデ | Arm | 1 | 1 | - | - |
| F107 | | MN50A6228 | ウデ | Arm | - | - | 1 | 1 |
| F108 | | M91505002 | ヒラネジ | Screw 15/64 (28) × 13.5 | 1 | 1 | 1 | 1 |
| F109 | | M95003053 | バネザカネ | Spring washer 10 | 1 | 1 | - | - |
| F110 | | MN70A0632 | ヌイメカゲ ンレハ ークミタテ | Reverse sewing lever assy. | 1 | 1 | - | - |
| F110 | | MN72A0632 | ヌイメカゲ ンレハ | Reverse sewing lever | - | - | 1 | 1 |
| F111 | | M91102002 | ヒラネジ | Screw 11/64 (40) × 8.5 | 1 | 1 | 1 | 1 |
| F112 | | MN60A2572 | ツルマキハネ | Coil spring | 1 | 1 | 1 | 1 |
| F113 | | MN40A0154 | アンナイタ | Guide plate | 1 | 1 | - | - |
| F114 | | M91110002 | ヒラネジ | Screw 11/64 (40) × 8 | 1 | 1 | - | - |
| F115 | | MF10A2572 | ツルマキハネ | Coil spring | 1 | 1 | 1 | 1 |
| F116 | | MF80A0852 | ピン | Stopper pin | 1 | 1 | - | - |
| F117 | | MF00A0852 | ピン | Stopper pin | - | - | 1 | 1 |
| F118 | | M91215002 | ヒラネジ | Screw 3/16 (28) × 12 | - | - | 1 | 1 |
| F119 | | MF00A0257 | オサエガネ | Bushing | - | - | 1 | 1 |
| F120 | | MP61A0841 | メモリイタ | Stitch length indicating plate | - | - | 1 | 1 |
| F121 | | MF01A0631 | ダイヤル | Dial | - | - | 1 | 1 |
| F122 | | MF00A0950 | レハ | Stopper pin releasing lever | - | - | 1 | 1 |
| F123 | | MF02A0245 | エンスイバネ | Coil spring | - | - | 1 | 1 |
| F124 | | MF90A0640 | オクリチヨウセツネジ | Screw bar | 1 | 1 | 1 | 1 |
| F125 | | M91000085 | O リング | O-ring 10 | 1 | 1 | 1 | 1 |
| F126 | | M91209002 | ヒラネジ | Screw 3/16 (28) × 8 | 1 | 1 | - | - |
| F127 | | MP60A0631 | ダイヤル | Dial | 1 | 1 | - | - |
| F128 | | MP60A0761 | ヘンシンジク | Eccentric shaft | 1 | 1 | 1 | 1 |
| F129 | | M95014021 | ロツカクアナツキホルト | Socket bolt M5×14 | 1 | 1 | 1 | 1 |
| F130 | | M95008020 | ロツカクアナツキトメネジ | Screw M5×6 | 2 | 2 | 2 | 2 |
| F131 | | MP60E1635 | ヌイメカゲ ンウデ シタクミタテ | Reverse sewing crank lower | 1 | 1 | 1 | 1 |
| F132 | | MN45A0352 | カラークミタテ | Collar | 1 | 1 | 1 | 1 |
| F133 | | M91506001 | トメネジ | Set screw 15/64 (28) × 6 | 2 | 2 | 2 | 2 |
| F134 | | MP40A1740 | フェルト | Felt | 1 | 1 | 1 | 1 |
| F135 | | MP40A0740 | フェルト | Felt | 1 | 1 | 1 | 1 |
| F136 | | MN45A0154 | アンナイタ | Guide plate | 2 | 2 | 2 | 2 |
| F137 | | M91106004 | プ ラマイネジ | Screw | 4 | 4 | 4 | 4 |
| F901 | | MN45A1321 | カエシタ イフェルトクミタテ | Reverse bracket | 1 | 1 | 1 | 1 |

注 1) 4410-CS, 4430のFig. No. F110にはFig. F102は含まれておりません。

Remarks 1) Fig. No. F110 doesn't include Fig. No. F102 for 4410-CS and 4430.

㊦ 下軸・送り機構

LOWER SHAFT & FEED ROCKING MOTION MECHANISM



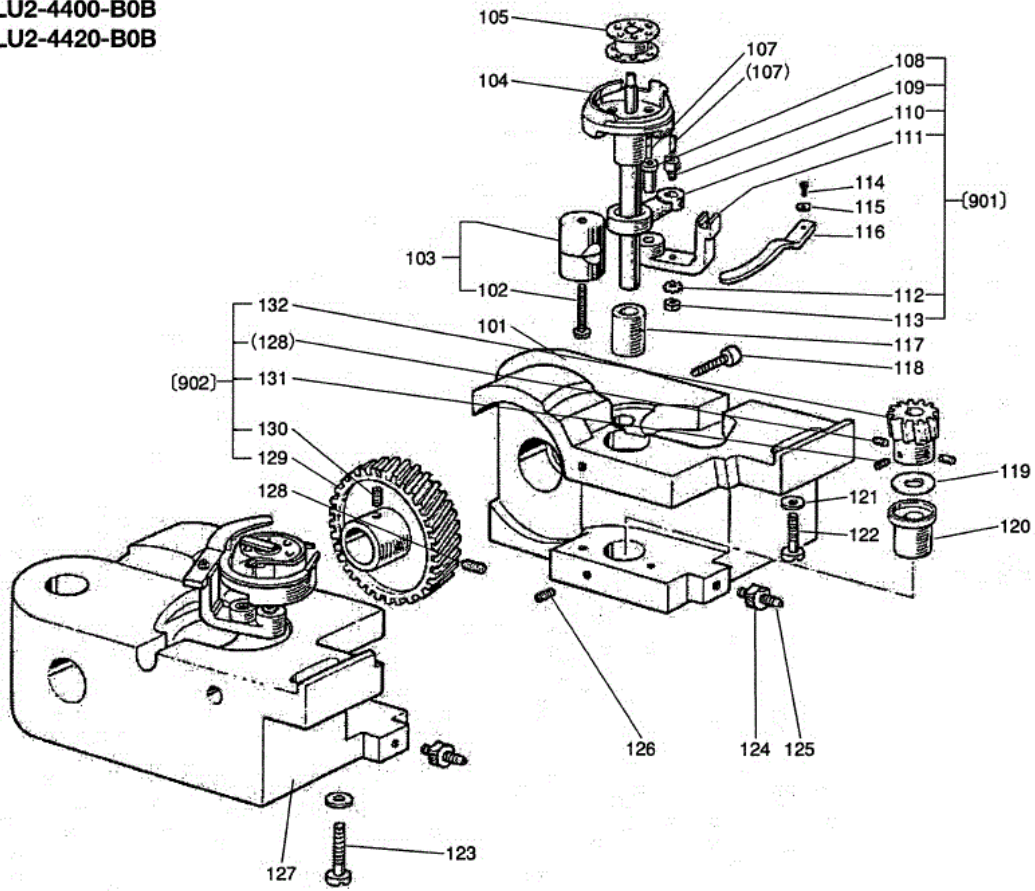
[G] 下軸・送り機構

LOWER SHAFT & FEED ROCKING MOTION MECHANISM

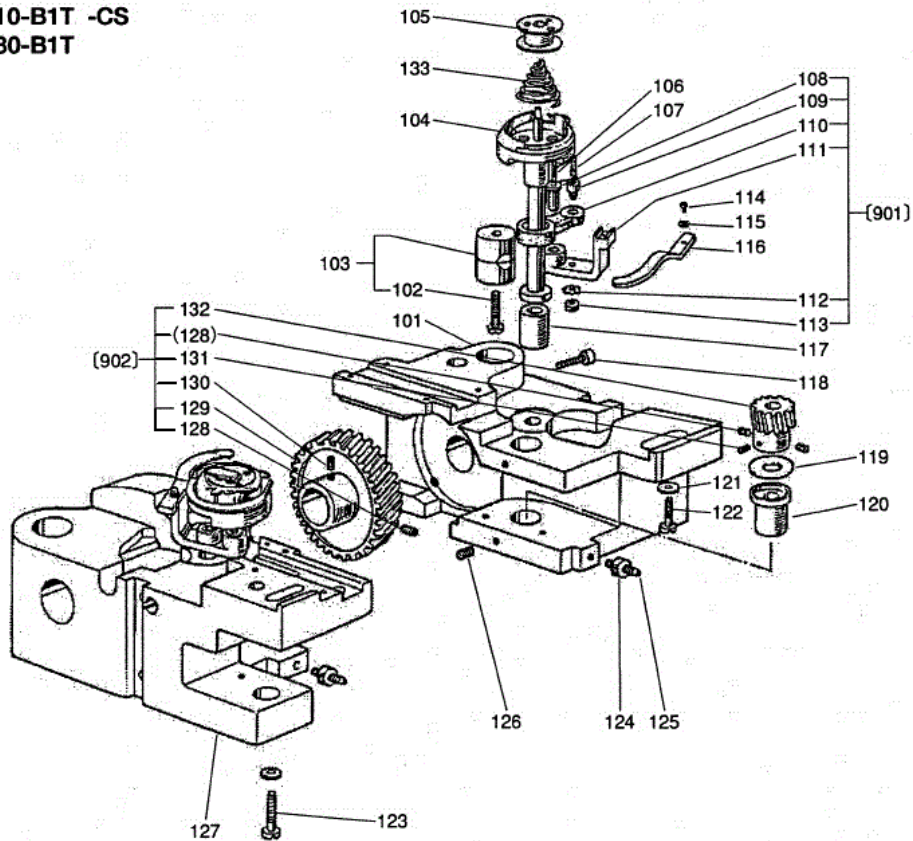
| Fig. No. | 変更 Mod. | 部品コード Parts. No. | 部品名 | Description | 使用個数 Amt. Req. | | | |
|----------|---------|------------------|----------------|--|----------------|------|---------|------|
| | | | | | 4400 | 4420 | 4410-CS | 4430 |
| G101 | | MN10A0451 | シタジクメタルヒタリクミタテ | Bushing for lower shaft (Left) | 1 | 1 | 1 | 1 |
| G102 | | MN70E1148 | ヒモ | Oil wick 2×45 | 1 | 1 | 1 | 1 |
| G103 | | MP40A0450 | シタジク | lower shaft | 1 | 1 | 1 | 1 |
| G104 | | MN10A0292 | ヘンシンリン | Feed lifting eccentric cam | 1 | 1 | - | - |
| G104 | | MP40A0760 | ヘンシンリン | Feed lifting eccentric cam | - | - | - | - |
| G105 | | M91603001 | トメネジ ボウサキ | Set screw 1/4(40)×5 | 2 | 2 | 2 | 2 |
| G106 | | MP40A0452 | シタジクメタルミキクミタテ | Bushing for lower shaft (Right) | 1 | 1 | 1 | 1 |
| G107 | | MN70E1148 | ヒモ | Oil wick 2×85 | 1 | 1 | 1 | 1 |
| G108 | | M90505065 | エガタトメワ 5 | Retaining ring (E type) 5 | 3 | 3 | 3 | 3 |
| G109 | | MP41A0572 | ツルマキハネ | Coil spring | 1 | 1 | 1 | 1 |
| G110 | | MP41A0270 | オシボタン | Push button | 1 | 1 | 1 | 1 |
| G111 | | M91516001 | トメネジ | Set screw 15/64(28)×13.5 | 2 | 2 | 2 | 2 |
| G112 | | ----- | スライオクリカム | Feed cam | 1 | 1 | 1 | 1 |
| G113 | | ----- | オクリロッド | Feed connecting rod | 1 | 1 | 1 | 1 |
| G114 | | MN40A0456 | ジクウケ | Bushing | 1 | 1 | 1 | 1 |
| G115 | | M90526065 | Cガタトメワジクヨウ 26 | Retaining ring (C type) 26 | 1 | 1 | 1 | 1 |
| G116 | | MP40E0453 | シタジクメタルナカクミタテ | Bushing for lower shaft (Middle) assy. | 1 | 1 | 1 | 1 |
| G117 | | MP47A2750 | ブツユ | Bushing | 1 | 1 | 1 | 1 |
| G118 | | M91602001 | トメネジ | Set screw 1/4(40)×4 | 5 | 5 | 5 | 5 |
| G119 | | M90317065 | Cガタトメワジクヨウ 17 | Retaining ring (C type) 17 | 1 | 1 | 1 | 1 |
| G121 | | MN10A2456 | ジクウケ | Bushing | 1 | 1 | 1 | 1 |
| G122 | | MN10A0771 | オサエイタ | Bearing holding plate | 1 | 1 | 1 | 1 |
| G123 | | M90902011 | マルサラネジ | Screw 9/64(40)×7 | 3 | 3 | 3 | 3 |
| G124 | | MN40A1956 | レンセツカン | Link | 1 | 1 | 1 | 1 |
| G125 | | MN40A0325 | カクコマ | Square block | 2 | 2 | 2 | 2 |
| G126 | | MN40A0454 | ジク | Pin for feed connecting rod | 1 | 1 | 1 | 1 |
| G127 | | MP40A0148 | ヒモ | Oil wick 3×26 | 1 | 1 | 1 | 1 |
| G129 | | MP40A0148 | ヒモ | Oil wick 3×55 | 1 | 1 | 1 | 1 |
| G130 | | MN40A1454 | ジク | Pin | 1 | 1 | 1 | 1 |
| G131 | | M91572045 | Uナット 6×0.75 | Nut M6×0.75 | 1 | 1 | 1 | 1 |
| G132 | | MP41A0275 | オクリウテ | Feed connecting crank (Right) | 1 | 1 | 1 | 1 |
| G133 | | M90602050 | ザガネ | Washer 6 | 1 | 1 | 1 | 1 |
| G134 | | M91552015 | トクシホルト | Screw | 1 | 1 | 1 | 1 |
| G135 | | M91603003 | マルヒラネジ | Screw 1/4(24)×16 | 2 | 2 | 2 | 2 |
| G136 | | MF70A0286 | オクリジクメタル | Bushing for feed rock shaft | 2 | 2 | 2 | 2 |
| G137 | | M91654001 | トメネジ | Set screw 1/4(24)×13 | 2 | 2 | 2 | 2 |
| G138 | | MF80A0352 | カラークミタテ | Collar assy. | 2 | 2 | 2 | 2 |
| G141 | | MN40A0273 | オクリウテナカ | Feed rock shaft crank (Middle) | 1 | 1 | 1 | 1 |
| G142 | | MN40A0491 | スライオクリジク | Feed rock shaft | 1 | 1 | 1 | 1 |
| G143 | | MP47A1740 | フェルト | Felt | 2 | 2 | 2 | 2 |
| G144 | | M91204003 | マルヒラネジ | Screw 3/16(28)×12 | 2 | 2 | 2 | 2 |
| G145 | | MN40A0278 | スライオクリウテヒタリ | Feed rock shaft crank (Left) | 1 | 1 | - | - |
| G145 | | MN50A0278 | スライオクリウテヒタリ | Feed rock shaft crank (Left) | - | - | 1 | 1 |
| G146 | | MF10E0148 | ヒモ | Oil wick 2.5×430 | 1 | 1 | 1 | 1 |
| G147 | | MF80A0780 | ホルダ | Holder for oil wick | 1 | 1 | 1 | 1 |
| G148 | | M90335065 | Cガタトメワジクヨウ 7 | Retaining ring-C type 7 | 1 | 1 | 1 | 1 |
| G149 | | MP47A1454 | ジククミタテ | Shaft | 1 | 1 | 1 | 1 |
| G150 | | MV11A0148 | ヒモ | Oil wick 2.5×150 | 1 | 1 | 1 | 1 |
| G151 | | M90803020 | ロツカクアナツキホルト | Bolt 1/8(40)×7 | 2 | 2 | 2 | 2 |
| G152 | | M95004021 | ロツカクアナツキトメネジ | Socket set screw M5×5 | 1 | 1 | 1 | 1 |
| G153 | | MP47A0281 | オクリタイ | Feed bar | 1 | - | 1 | - |
| G153 | | ----- | オクリタイ | Feed bar | - | 1 | - | - |
| G153 | | MP48A0281 | オクリタイ | Feed bar | - | - | - | 1 |
| G154 | | M91513022 | ホルト | Bolt 15/64(28)×10 | 1 | 1 | 1 | 1 |
| G155 | | M90631050 | ミガキザガネ | Washer 6 | 1 | 1 | 1 | 1 |
| G156 | | M93006020 | ロツカクアナツキトメネジ | Screw M3×14 | - | 1 | - | 1 |
| G157 | | M90879045 | トメナット | Nut M3 | - | 1 | - | 1 |
| G158 | | MP60A0744 | フタマタ | Feed bar connecting fork | 1 | 1 | 1 | 1 |
| G159 | | MP42A0740 | フェルト | Felt | 1 | 1 | 1 | 1 |
| G160 | | M90810002 | マルヒラネジ | Screw 1/8(44)×6.5 | 1 | 1 | 1 | 1 |
| G901 | | MP60E0305 | オクリロッドクミタテ | Feed regulator assy. | 1 | 1 | 1 | 1 |
| G902 | | MN70E0281 | オクリタイクミタテ | Feed bar assy. | - | 1 | - | - |
| G902 | | MN72E0281 | オクリタイクミタテ | Feed bar assy. | - | - | - | 1 |

☐ カマ台機構
HOOK SADDLE MECHANISM

LU2-4400-B0B
LU2-4420-B0B



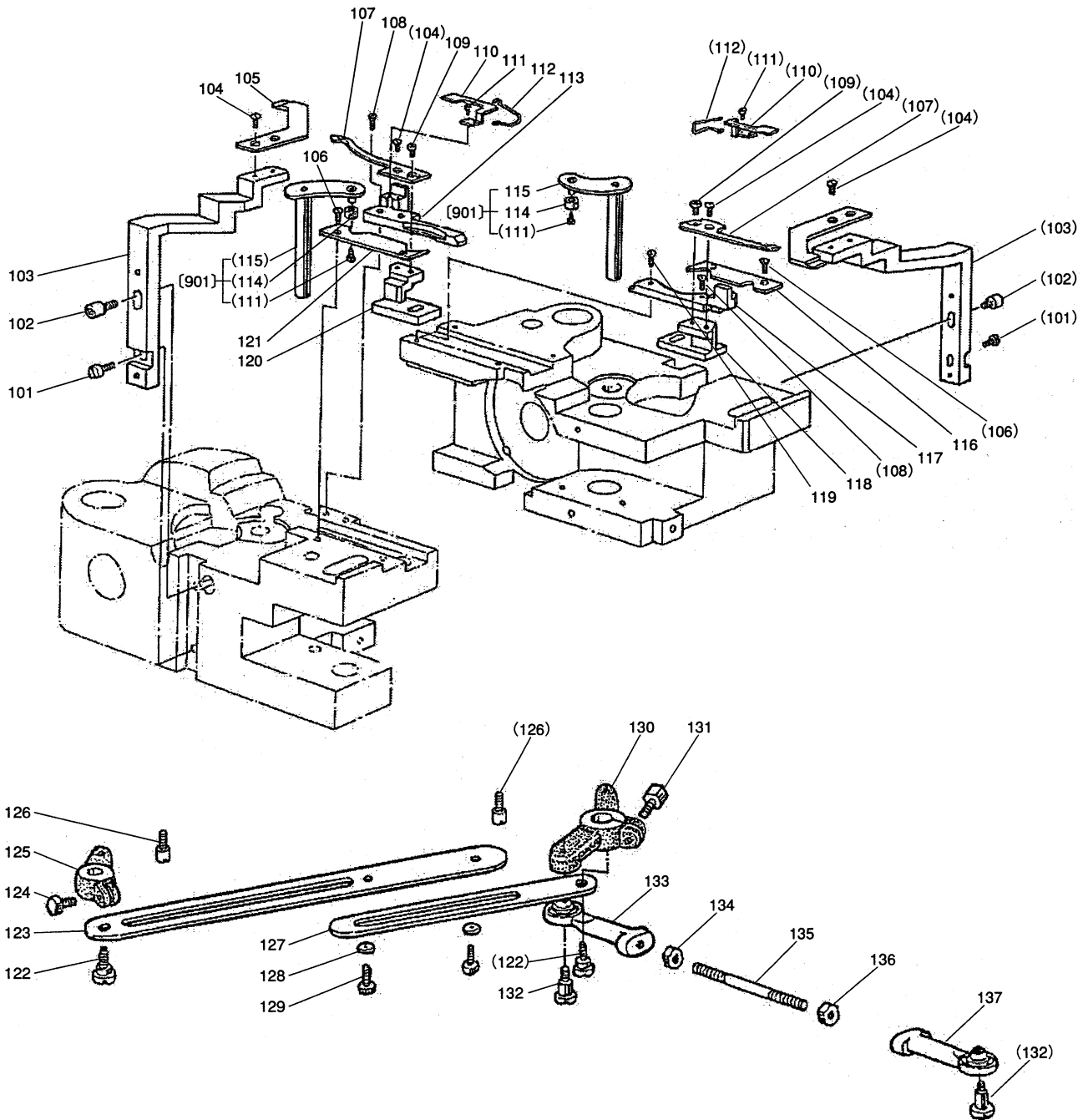
LU2-4410-B1T -CS
LU2-4430-B1T



[H] カマ台機構 HOOK SADDLE MECHANISM

| Fig. No. | 変更 Mod. | 部品コード Parts. No. | 部 品 名 | Description | 使用個数 Amt. Req. | | | |
|----------|---------|------------------|-------------|--------------------------------|----------------|------|---------|------|
| | | | | | 4400 | 4420 | 4410-CS | 4430 |
| H101 | | MP40A0345 | カマダ イミギ | Hook saddle (Right) | 1 | 1 | - | - |
| H101 | | MN60A1345 | カマダ イミギ | Hook saddle (Right) | - | - | 1 | 1 |
| H102 | | M91509002 | ヒラネジ | Screw 15/64 (28) × 22 | 1 | 2 | 1 | 2 |
| H103 | | MN70A2750 | ブッシュクミタテ | Bushing | 1 | 2 | 1 | 2 |
| H104 | | MP00A0120 | カマクミタテ | Hook assy. | 1 | 2 | - | - |
| H104 | | MP61A6120 | カマクミタテ | Hook assy. | - | - | 1 | 2 |
| H105 | | MN12B0123 | ホビン | Bobbin | 1 | 2 | - | - |
| H105 | | MP60A0123 | ホビン | Bobbin | - | - | 1 | 2 |
| H106 | | MF10E2148 | ヒモ | Oil wick 2.5 × 24 | - | - | 1 | 2 |
| H107 | | MF10E2148 | ヒモ | Oil wick 2.5 × 15 | 2 | 4 | 1 | 2 |
| H108 | | MN10A0302 | オープナサエシク | Opener holder pin | 1 | 2 | 1 | 2 |
| H109 | | M91260030 | トクシュネジ | Screw 3/16 (32) × 7.8 | 1 | 2 | 1 | 2 |
| H110 | | MP40A0340 | レンゼツカン | Link for hook shaft | 1 | 2 | 1 | 2 |
| H111 | | MN52A0301 | オープナサエ | Opener holder | 1 | 2 | 1 | 2 |
| H112 | | M90102053 | ハネザガネ 5 | Spring washer 5 | 1 | 2 | 1 | 2 |
| H113 | | M91252045 | ナット | Nut 3/16 (32) | 1 | 2 | 1 | 2 |
| H114 | | M90910003 | マルヒラネジ | Screw 9/64 (40) × 7 | 1 | 2 | 1 | 2 |
| H115 | | M90401050 | ザガネ | Washer 4 | 1 | 2 | 1 | 2 |
| H116 | | MN52A0300 | オープナ | Opener | 1 | 2 | 1 | 2 |
| H117 | | MN12B0342 | カマジクメタルウエ | Bushing for hook shaft (Upper) | 1 | 2 | 1 | 2 |
| H118 | | M91201020 | ロツカアナツキトメネジ | Screw 3/16 (28) × 14.5 | 1 | 2 | 1 | 2 |
| H119 | | M91001050 | ザガネ | Washer 10 | 1 | 2 | 1 | 2 |
| H120 | | MN10A0343 | カマジクメタルシタ | Bushing for hook shaft (Lower) | 1 | 2 | 1 | 2 |
| H121 | | M90607050 | ミガキザガネ 6 | Washer 6 | 1 | 2 | 1 | 2 |
| H122 | | M91652002 | ヒラネジ | Screw 1/4 (24) × 23 | 1 | 1 | 1 | 1 |
| H123 | | M91658002 | ヒラネジ | Screw 1/4 (24) × 30 | - | 1 | - | 1 |
| H124 | | M91201045 | ナット | Nut 3/16 (28) | 1 | 2 | 1 | 2 |
| H125 | | M91205030 | トクシュネジ | Screw 3/16 (28) × 11.5 | 1 | 2 | 1 | 2 |
| H126 | | M91503001 | トメネジ | Set screw 15/64 (28) × 4.5 | 2 | 4 | 2 | 4 |
| H127 | | MP40A0344 | カマダ イヒダリ | Hook saddle (Left) | - | 1 | - | - |
| H127 | | MN60A1344 | カマダ イヒダリ | Hook saddle (Left) | - | - | - | 1 |
| H128 | | M91602001 | トメネジ | Set screw 1/4 (40) × 4 | 3 | 6 | 3 | 6 |
| H129 | | MP41E0642 | ネジ ハケルマ | Gear (Large) | 1 | 2 | 1 | 2 |
| H130 | | M91655001 | トメネジ | Set screw 1/4 (40) × 6.5 | 1 | 2 | 1 | 2 |
| H131 | | M91603001 | トメネジ ホウサキ | Screw 1/4 (40) × 5 | 1 | 2 | 1 | 2 |
| H132 | | MP00B0643 | ネジ ハケルマ | Gear (Small) | 1 | 2 | 1 | 2 |
| H133 | | MN52A2245 | エンスイバネ | Spring washer 5 | - | - | 1 | 2 |
| H901 | | MN10E0301 | オープナサエクミ | Opener holder assy. | 1 | 2 | 1 | 2 |
| H902 | | MP41E0644 | ネジ ハケルマクミタテ | Gear assy. | 1 | 2 | 1 | 2 |

J 糸切り機構 (I)
 THREAD TRIMMING MECHANISM (I)

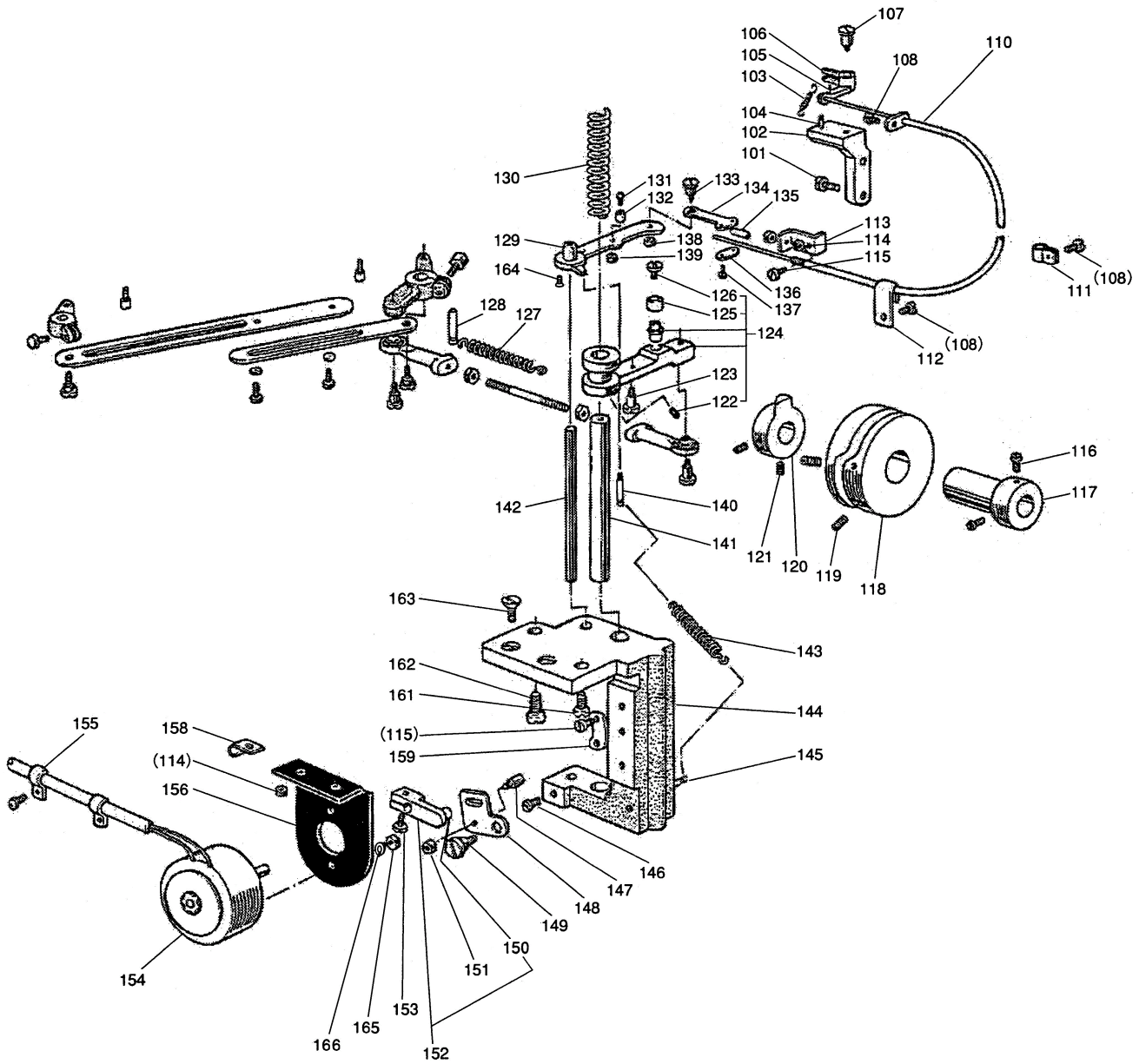


[J] 糸切り機構 (I)
 THREAD TRIMMING MECHANISM (I)

| Fig. No. | 変更 No. | 部品コード Parts. No. | 部品名 | Description | 使用個数 Amt. Req. | | | |
|----------|--------|---------------------|-------------|------------------------------|-------------------|------|---------|------|
| | | | | | 4400 | 4420 | 4410-CS | 4430 |
| J101 | | M90911030 | トクシユネジ | Screw 9/64 (40) × 8 | - | - | 1 | 2 |
| J102 | | M91106022 | ロツカクアナツキホルト | Bolt 11/64 (40) × 12 | - | - | 1 | 2 |
| J103 | | MN50A0839 | メストリツケダ イ | Moved knife holder | - | - | 1 | 2 |
| J104 | | M90907010 | サラネジ | Screw 11/64 (40) × 5 | - | - | 3 | 6 |
| J105 | | MP41A0838 | コテイメス | Fixed knife | - | - | 1 | 2 |
| J106 | | M90903010 | サラネジ | Screw 9/64 (40) × 6 | - | - | 2 | 4 |
| J107 | | MP41B0838 | イドウメス | Moved knife | - | - | 1 | 2 |
| J108 | | M90801010 | サラネジ | Screw 1/8 (44) × 10 | - | - | 1 | 2 |
| J109 | | M90944002 | ヒラネジ | Screw 9/64 (40) × 4.5 | - | - | 1 | 2 |
| J110 | | MN50A0192 | イタバネ | Spring plate | - | - | 1 | 2 |
| J111 | | M90605002 | ヒラネジ | Screw 3/32 (56) × 3.8 | - | - | 3 | 6 |
| J112 | | MN50A0507 | センザイカハネ | Spring | - | - | 1 | 2 |
| J113 | | MN60E1154 | アンナイカネ | Guide | - | - | - | 1 |
| J114 | | MN60A0411 | コロ | Roller | - | - | 1 | 2 |
| J115 | | | レバ | Lever | - | - | 1 | 2 |
| J116 | | MN60A2742 | フタ | Cover | - | - | 1 | 1 |
| J117 | | MN60E0154 | アンナイカネ | Guide | - | - | 1 | 1 |
| J118 | | MN60A0837 | メスタイ | Knife pad (Right) | - | - | 1 | 1 |
| J119 | | M90906010 | サラネジ | Screw 9/64 (40) × 9.5 | - | - | 1 | 1 |
| J120 | | MN60A0836 | メスタイ | Knife pad (Left) | - | - | - | 1 |
| J121 | | MN60A1742 | フタ | Cover | - | - | - | 1 |
| J122 | | M91134015 | ヒラネジ タンツキ | Hinged screw M5 (0.5) × 10.5 | - | - | - | 2 |
| J123 | | MP43A0910 | リンク | Link | - | - | - | 1 |
| J124 | | M91508022 | ボルト | Bolt 15/64 (28) × 12.5 | - | - | - | 1 |
| J125 | | MN60A3228 | ウデ | Arm | - | - | - | 1 |
| J126 | | M91111033 | ピンネジ | Pin 11/64 (40) × 6 | - | - | 1 | 2 |
| J127 | | MN50A0910 | リンク | Link for reverse stitching | - | - | - | 1 |
| J128 | | M90550050 | ミガキサガネ 5 | Washer 5 | - | - | - | 2 |
| J129 | | M91201022 | ボルト | Bolt 3/16 (32) × 9.5 | - | - | - | 2 |
| J130 | | MN60A2228 | ウデ | Arm | - | - | 1 | 1 |
| J131 | | M91509022 | ボルト | Bolt 15/64 (28) × 12.5 | - | - | 1 | 1 |
| J132 | | M91271015 | ヒラネジ タンツキ | Screw M5 (0.5) × 8.5 | - | - | 2 | 2 |
| J133 | | MN72A0975 | ロツトエント | Ball joint | - | - | 1 | 1 |
| J134 | | M91374045 | ナツト ヒタリ M5 | Nut M5 | - | - | 1 | 1 |
| J135 | | M95004023 | ウエコミボルト | Stud bolt M5 | - | - | 1 | 1 |
| J136 | | M91377045 | ナツト M5 | Nut M5 | - | - | 1 | 1 |
| J137 | | MB62A0975 | ロツトエント | Connecting link | - | - | 1 | 1 |
| J901 | | MN60A0950 | レバークミタテ | Lever assy. | - | - | 1 | 2 |

Ⅹ 糸切り機構 (Ⅱ)

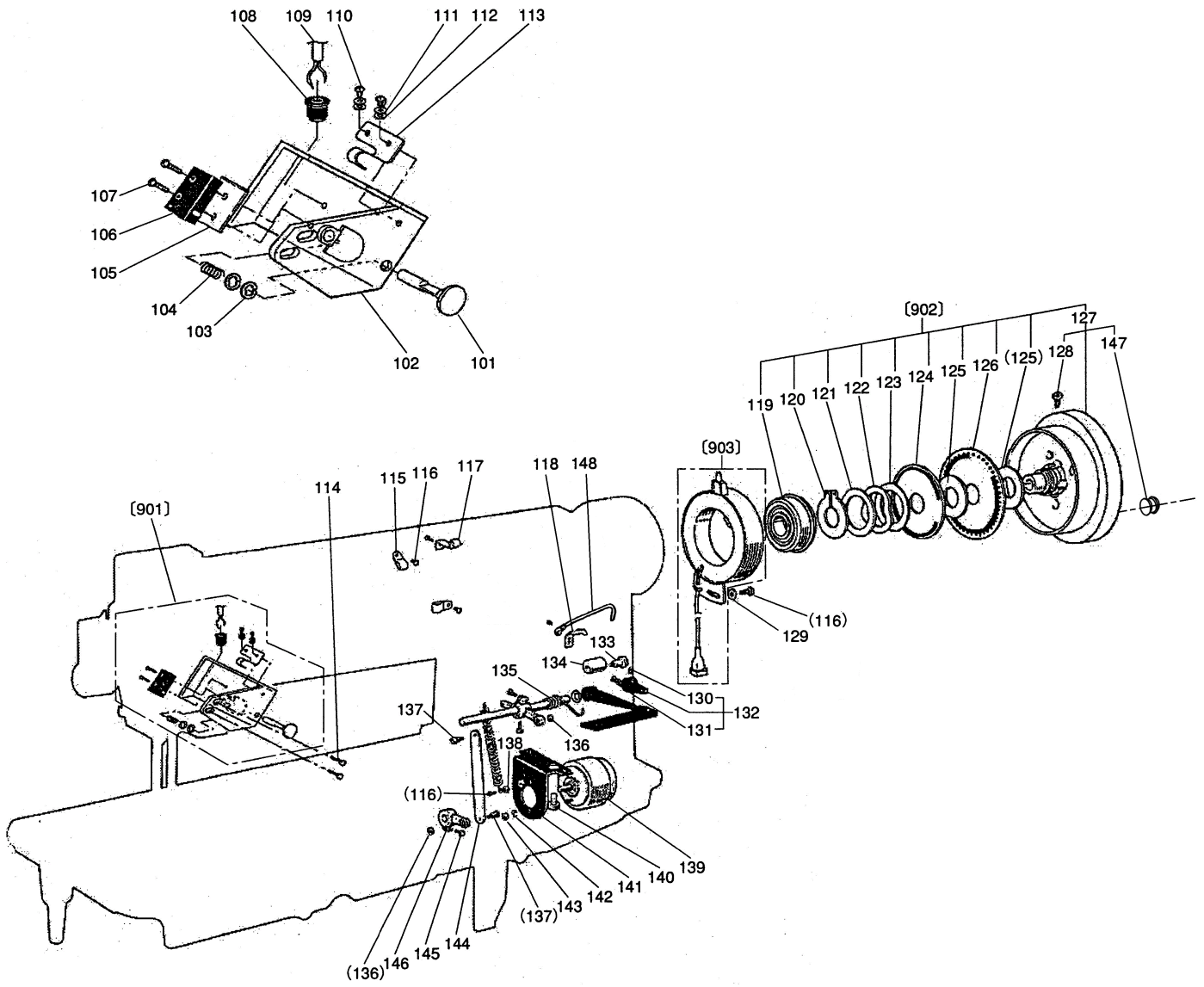
THREAD TRIMMING MECHANISM (Ⅱ)



[K] 糸切り機構 (II)
 THREAD TRIMMING MECHANISM (II)

| Fig. No. | 変更 Mod. | 部品コード Parts. No. | 部品名 | Description | 使用個数 Amt. Req. | | | |
|----------|---------|------------------|----------------------|-------------------------------|----------------|------|---------|------|
| | | | | | 4400 | 4420 | 4410-CS | 4430 |
| K101 | | M91110002 | ヒラネジ | Screw 11/64 (40) × 8 | - | - | 2 | 2 |
| K102 | | MN60A0172 | イトユルメダ イ | Thread releasing bracket | - | - | 1 | 1 |
| K103 | | MN60A6572 | ツルマキバネ | Spring | - | - | 1 | 1 |
| K104 | | M91005067 | ミゾ ツキピン BXカ タ 2.5×12 | Pin type BX 2.5×12 | - | - | 1 | 1 |
| K105 | | M91004067 | ミゾ ツキピン BXカ タ 2.5×8 | Pin type BX 2.5×8 | - | - | 1 | 1 |
| K106 | | MN60A0173 | イトユルメ | Thread releasing plate | - | - | 1 | 1 |
| K107 | | M91112015 | ヒラネジ タンツキ | Hinged Screw 11/64 (40) × 15 | - | - | 1 | 1 |
| K108 | | M91106004 | フ ラマイネジ | SCREW 11/64 (40) × 8 | - | - | 4 | 4 |
| K110 | | MN60E0746 | フレキシブルワイヤクミタテ | Flexible wire assy. | - | - | 1 | 1 |
| K111 | | MN60A0620 | ナイロンクリップ AB-5N | Nylon Clip AB-5N | - | - | 1 | 1 |
| K112 | | M94003099 | ナイロンクリップ AB-3N | Nylon Clip AB-3N | - | - | 1 | 1 |
| K113 | | MP60A1601 | トリツケイタ | Mounting plate | - | - | 1 | 1 |
| K114 | | M91373045 | ナット M5 | Nut M5 | - | - | 4 | 4 |
| K115 | | M91109002 | ヒラネジ | Screw 11/64 (40) × 7 | - | - | 3 | 3 |
| K116 | | M91516002 | ヒラネジ | Screw 15/64 (28) × 8.5 | - | - | 2 | 2 |
| K117 | | MN50A0750 | フ ツシュ | Bushing | - | - | 1 | 1 |
| K118 | | MN50A0350 | イトキリカム | Cam for trimmer actuator | - | - | 1 | 1 |
| K119 | | M91602020 | ロツカクアナツキトメネジ | Screw 1/4 (40) × 10 | - | - | 2 | 2 |
| K120 | | MN72A0350 | カム | Cam | - | - | 1 | 1 |
| K121 | | M91055020 | ロツカクアナツキトメネジ | Screw M4 × 4 | - | - | 2 | 2 |
| K122 | | M91001020 | ロツカクアナツキトメネジ | Screw 11/64 (40) × 5 | - | - | 2 | 2 |
| K123 | | M91111015 | ヒラネジ タンツキ | Hinged Screw 11/64 (40) × 9.2 | - | - | 1 | 1 |
| K124 | | MN60A0886 | ヨウド ウウデ クミタテ | Crank for knife driving | - | - | 1 | 1 |
| K125 | | MN50A1411 | コロ | Roller | - | - | 1 | 1 |
| K126 | | M90816002 | ヒラネジ | Screw 1/8 (44) × 4.5 | - | - | 1 | 1 |
| K127 | | MP60A3572 | ツルマキバネ | Spring | - | - | 1 | 1 |
| K128 | | M95003067 | ミゾ ツキピン BXカ タ 5×24 | Pin type BX 5×24 | - | - | 1 | 1 |
| K129 | | MN60E0950 | イトユルメレバークミタテ | Thread releasing lever assy. | - | - | 1 | 1 |
| K130 | | MN60A5572 | ツルマキバネ | Spring | - | - | 1 | 1 |
| K131 | | M91131015 | ヒラネジ タンツキ | Hinged screw 11/64 (40) × 8 | - | - | 1 | 1 |
| K132 | | MN50A0411 | コロ | Roller | - | - | 1 | 1 |
| K133 | | M91231015 | ヒラネジ タンツキ | Hinged screw 3/16 (28) × 9 | - | - | 1 | 1 |
| K134 | | MN72A1601 | トリツケイタ | Mounting plate | - | - | 1 | 1 |
| K135 | | MN72A1750 | フ ツシュ | Bushing | - | - | 1 | 1 |
| K136 | | MF36A0750 | フ ツシュ | Bushing | - | - | 1 | 1 |
| K137 | | M90825002 | ヒラネジ | Screw 1/8 (44) × 10 | - | - | 2 | 2 |
| K138 | | M91201045 | ナット | Nut 3/16 (28) | - | - | 1 | 1 |
| K139 | | M91107045 | ナット | Nut 11/64 (40) | - | - | 1 | 1 |
| K140 | | M91111030 | トクユネジ | Special screw 11/64 (40) × 4 | - | - | 1 | 1 |
| K141 | | MN50A3454 | ジク | Shaft | - | - | 1 | 1 |
| K142 | | MN60A0454 | ジク | Shaft | - | - | 1 | 1 |
| K143 | | MN50A3572 | ツルマキバネ | Coil spring | - | - | 1 | 1 |
| K144 | | MP66A0603 | トリツケイタ | Mounting base | - | - | 1 | 1 |
| K145 | | M95007067 | ミゾ ツキピン BXカ タ 5×14 | Pin type BX 5×14 | - | - | 1 | 1 |
| K146 | | M91102002 | ヒラネジ | Screw 11/64 (40) × 8.5 | - | - | 1 | 1 |
| K147 | | M91111033 | ピンネジ | Screw 11/64 (40) × 6 | - | - | 1 | 1 |
| K148 | | MN50A3950 | レバ | Lever | - | - | 1 | 1 |
| K149 | | M91103016 | マルヒラネジ タンツキ | Hinged screw 11/64 (40) × 6.8 | - | - | 1 | 1 |
| K150 | | M90615063 | タンツキピン | Hinged pin | - | - | 1 | 1 |
| K151 | | M91101045 | ナット | Nut 11/64 (40) | - | - | 1 | 1 |
| K152 | | MP61E0228 | ウデ クミタテ | Arm assy. for rotary solenoid | - | - | 1 | 1 |
| K153 | | M91112002 | ヒラネジ | Screw 11/64 (40) × 12 | - | - | 1 | 1 |
| K154 | | MP61E0519 | ソレノイド クミタテ | Solenoid assy. | - | - | 1 | 1 |
| K155 | | MF10A0689 | ホルダ | Holder | - | - | 2 | 2 |
| K156 | | MN50A3601 | トリツケイタ | Setting plate | - | - | 1 | 1 |
| K158 | | MN50A0780 | ホルダ | Holder | - | - | 1 | 1 |
| K159 | | MN50A0477 | ストッパ | Stopper | - | - | 1 | 1 |
| K161 | | M91602003 | マルヒラネジ | Screw 1/4 (24) × 13 | - | - | 1 | 1 |
| K162 | | M91603003 | マルヒラネジ | Screw 1/4 (24) × 16 | - | - | 1 | 1 |
| K163 | | M95001037 | Pサラネジ 5×16 | Screw M5 × 16 | - | - | 2 | 2 |
| K164 | | M90803010 | サラネジ | Screw 1/8 (44) × 6 | - | - | 3 | 3 |
| K165 | | M91002045 | ナット | Nut M4 | - | - | 2 | 2 |
| K166 | | M90401053 | バネザガネ | Spring washer 4 | - | - | 2 | 2 |

□ タッチバック・検出器機構
TOUCH BACK & DETECTOR MECHANISM

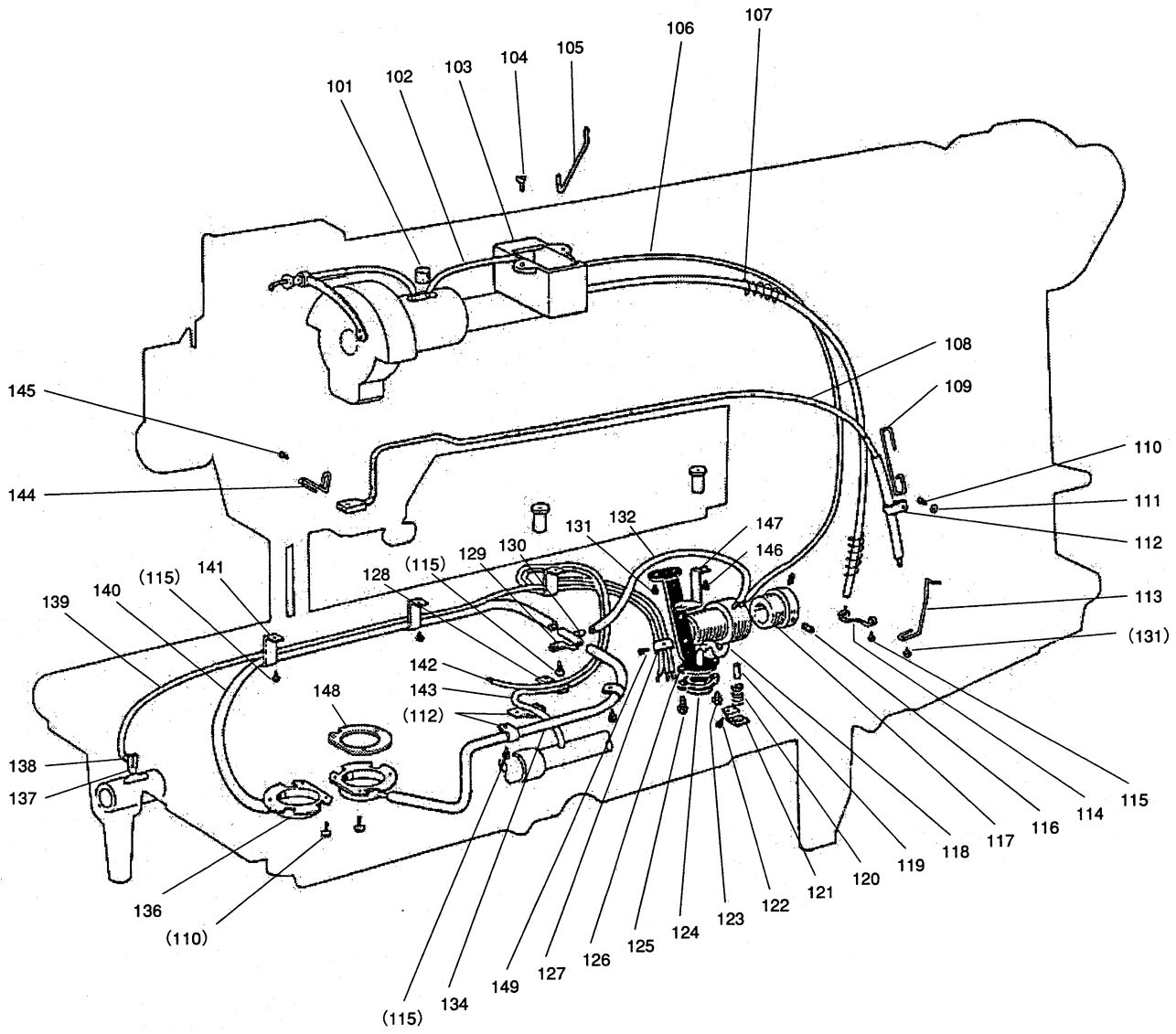


[L] タッチバック・検出器機構
TOUCH BACK & DETECTOR MECHANISM

| Fig. No. | 変更 No. | 部品コード Parts. No. | 部品名 | Description | 使用個数 Amt. Req. | | | |
|----------|--------|------------------|----------------|-----------------------------|----------------|------|---------|------|
| | | | | | 4400 | 4420 | 4410-CS | 4430 |
| L101 | | MP60E0270 | オシボタン | Push button | - | - | 1 | 1 |
| L102 | | MP60A2601 | スイッチトリツケイタ | Switch mounting plate | - | - | 1 | 1 |
| L103 | | M90512065 | エガタメワ 3 | Retaining ring (E type) | - | - | 2 | 2 |
| L104 | | MF00A7572 | ツルマキバネ | Spring | - | - | 1 | 1 |
| L105 | | MF01A0502 | ゼツエンイタ | Insulator seat | - | - | 1 | 1 |
| L106 | | M90208099 | マイクロスイッチ | Micro switch SS-5 | - | - | 1 | 1 |
| L107 | | M90251037 | パイントネジ | Screw M2×8 | - | - | 2 | 2 |
| L108 | | M91004080 | ゴムツシユ | Rubber plug | - | - | 1 | 1 |
| L109 | | M97348099 | コードクミタテ | Code assy. | - | - | 1 | 1 |
| L110 | | M90252037 | パイントネジ | Screw M2×3 | - | - | 2 | 2 |
| L111 | | M90306053 | バネサガネ | Spring washer 2 | - | - | 2 | 2 |
| L112 | | M90315050 | コサガネ M2 | Washer 2 | - | - | 2 | 2 |
| L113 | | MF00A0192 | イタバネ | Spring plate | - | - | 1 | 1 |
| L114 | | M95043021 | ロツカクアツキホタンホルト | Screw M5×6 | - | - | 2 | 2 |
| L115 | | M94003099 | ナイロンクリップ AB-3N | Nylon clip AB-3N | - | - | 2 | 2 |
| L116 | | M91106004 | ブラマイネジ | Screw 11/64(40)×8 | - | - | 2 | 2 |
| L117 | | MN50A1780 | ホルダ | Holder | - | - | 1 | 1 |
| L118 | | MQ60A1780 | ホルダ | Holder | - | - | 1 | 1 |
| L119 | | MN10A1456 | ジクウケ | Bushing | - | - | 1 | 1 |
| L120 | | M90330065 | エガタメワ | Retaining ring-C type 30 | - | - | 1 | 1 |
| L121 | | M93001050 | サガネ | Washer | - | - | 1 | 1 |
| L122 | | MF01A0259 | ハンシヤハンソサエスフリンク | Supporter spring | - | - | 1 | 1 |
| L123 | | MF01A1476 | スペーサB | Spacer B | - | - | 1 | 1 |
| L124 | | MN72A1694 | ハンシヤハンF20 | Speed command disc F20 (UP) | - | - | 1 | 1 |
| L125 | | MF01A0476 | スペーサA | Spacer A | - | - | 1 | 1 |
| L126 | | MN82A0694 | ハンシヤハンF11 | Speed command disc (F11) | - | - | 1 | 1 |
| L127 | | ----- | プーリクミタテ | Pulley assy. | - | - | 1 | 1 |
| L128 | | M91520002 | ヒラネジ | Screw 15/64(28)×12 | - | - | 2 | 2 |
| L129 | | M93002050 | サガネ | Washer | - | - | 1 | 1 |
| L130 | | M91506001 | トメネジ | Set screw 15/64(28)×6 | - | - | 1 | 1 |
| L131 | | M91519002 | ヒラネジ | SCREW 15/64(28)×7.5 | - | - | 1 | 1 |
| L132 | | MN72A1950 | レバークミタテ | Lever assy. | - | - | 1 | 1 |
| L133 | | M91516015 | ヒラネジ タンツキ | Hinged screw 15/64(28)×17 | - | - | 1 | 1 |
| L134 | | MN50A0417 | ゴムワ | Rubber ring | - | - | 1 | 1 |
| L135 | | MP61A0729 | ヒネリバネ | Spring | - | - | 1 | 1 |
| L136 | | M91502045 | ナット | Nut 15/64(28) | - | - | 2 | 2 |
| L137 | | M91517015 | ヒラネジ タンツキ | Hinged screw 15/64(28)×17.2 | - | - | 2 | 2 |
| L138 | | M91101045 | ナット | Nut 11/64(40) | - | - | 1 | 1 |
| L139 | | MN72E1519 | ソレノイドクミタテ | Solenoid assy. | - | - | 1 | 1 |
| L140 | | M98004022 | ホルト | Bolt M8×12 | - | - | 2 | 2 |
| L141 | | MP47A2601 | トリツケイタ | Mounting plate | - | - | 1 | 1 |
| L142 | | M90601053 | バネサガネ | Spring washer 6 | - | - | 2 | 2 |
| L143 | | M91576045 | ナット | Nut M6 | - | - | 2 | 2 |
| L144 | | MN50A2910 | リンク | Link | - | - | 1 | 1 |
| L145 | | M91502022 | ホルト | Bolt 15/64(28)×16 | - | - | 1 | 1 |
| L146 | | MN50A5228 | ウデ | Arm for touch back solenoid | - | - | 1 | 1 |
| L147 | | MP60A0750 | ブッシュA | Bushing A | - | - | 1 | 1 |
| L148 | | M97003095 | アースセンクミタテ | Ground wire assy. | - | - | 1 | 1 |
| L901 | | MP61E1534 | タッチスイッチクミタテ | Switch assy. | - | - | 1 | 1 |
| L902 | | MP61E0682 | プーリクミタテ | Pulley assy. | - | - | 1 | 1 |
| L903 | | ME20A0406 | ケンシユツクミタテ | Detector bracket assy. | - | - | 1 | 1 |

給油機構

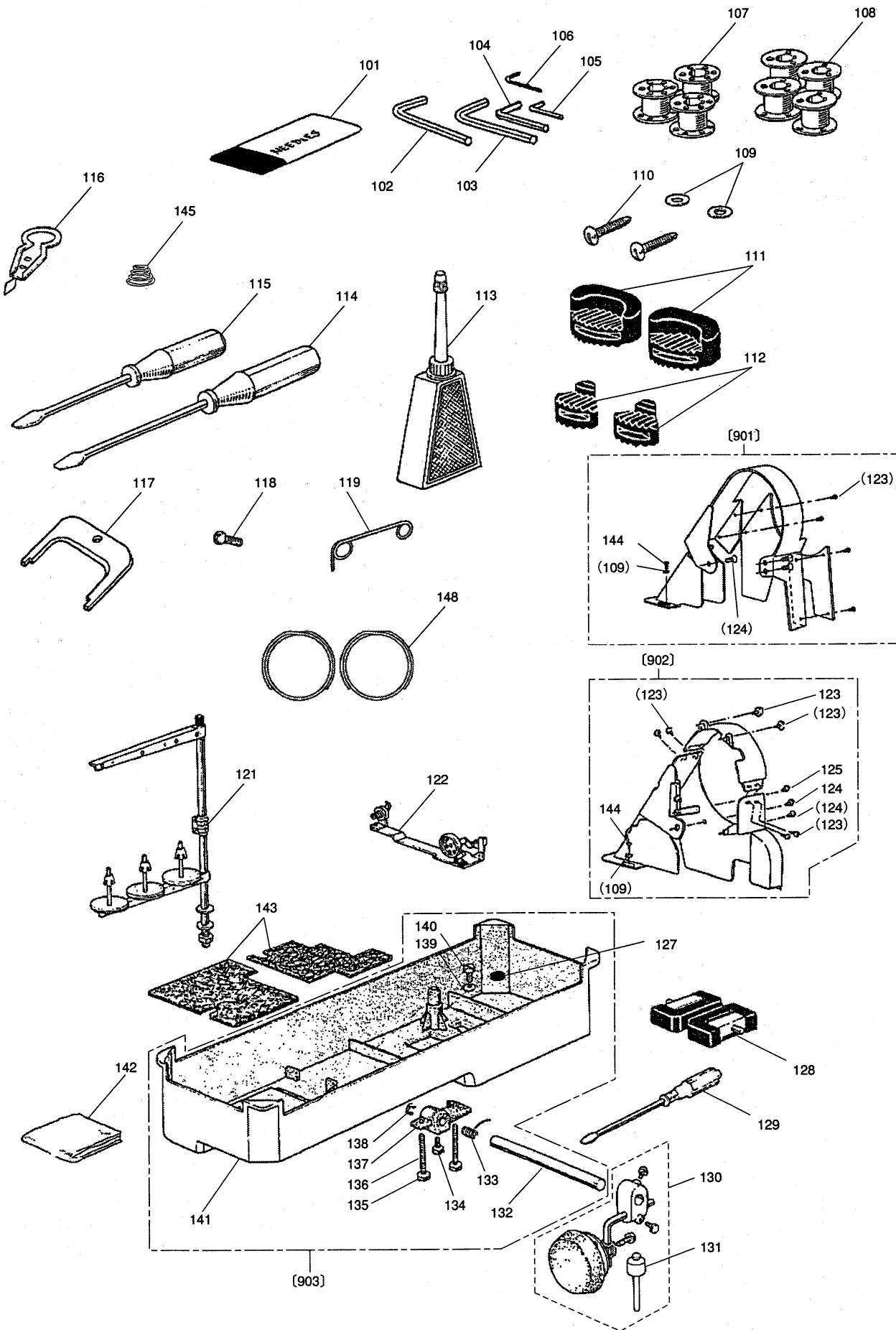
OIL LUBRICATION MECHANISM



[M] 給油機構
OIL LUBRICATION MECHANISM

| Fig. No. | 変更 Mod. | 部品コード Parts. No. | 部品名 | Description | 使用個数 Amt. Req. | | | |
|----------|---------|------------------|----------------|------------------------|----------------|------|---------|------|
| | | | | | 4400 | 4420 | 4410-CS | 4430 |
| M101 | | MP40A3740 | フェルト | Felt | 1 | 1 | 1 | 1 |
| M102 | | MP40E2688 | ハ°イ°ヒモクミタテ | Oil pipe assy. | 1 | 1 | 1 | 1 |
| M103 | | MN70E0138 | オイルタンクミタテ | Oil Reservoir | 1 | 1 | 1 | 1 |
| M104 | | M91402010 | パ°ウト°ウサラネジ | Screw M4×16 | 2 | 2 | 2 | 2 |
| M105 | | MN70A0780 | ホルダ° | Holder | 1 | 1 | 1 | 1 |
| M106 | | MP40A0688 | ハ°イ° | Oil pipe 3D×1×400 | 1 | 1 | 1 | 1 |
| M107 | | MP60E0688 | ハ°イ°ハ°ネクミタテ | Pipe assy. | 1 | 1 | 1 | 1 |
| M108 | | MP40E1688 | ハ°イ°フェルトクミタテ | Oil pipe assy. | 1 | 1 | 1 | 1 |
| M109 | | MF36A0680 | ハリガ°ネ | Steel wire | 1 | 1 | 1 | 1 |
| M110 | | M90903002 | ヒラネジ° | Screw 9/64(40)×6.5 | 4 | 7 | 4 | 7 |
| M111 | | M90304053 | ハ°ネザ°ガ°ネ 3.5 | Spring washer 3.5 | 1 | 1 | 1 | 1 |
| M112 | | MF10A0689 | ホルダ° | Holder | 4 | 4 | 4 | 4 |
| M113 | | MP60A1689 | ホルダ° | Holder | 1 | 1 | 1 | 1 |
| M114 | | MP60A2689 | ホルダ° | Holder | 1 | 1 | 1 | 1 |
| M115 | | M91107002 | ヒラネジ° | Screw 11/64(40)×5.5 | 7 | 8 | 7 | 8 |
| M116 | | M91111001 | トメネジ° | Set screw 11/64(40)×10 | 2 | 2 | 2 | 2 |
| M117 | | MP47A3750 | ブ°ツシュ | Bushing | 1 | 1 | 1 | 1 |
| M118 | | MP40A2688 | ハ°イ° | Oil pipe 3D×1×90 | 1 | 1 | 1 | 1 |
| M119 | | M95007063 | トクシユヒ°ン | Pin | 1 | 1 | 1 | 1 |
| M120 | | MN40A1572 | ツルキハ°ネ | Coil spring | 1 | 1 | 1 | 1 |
| M121 | | MN40A0705 | ハ°ネオサエ | Spring holder | 1 | 1 | 1 | 1 |
| M122 | | M90805002 | ヒラネジ° | Screw 1/8(44)×4.5 | 1 | 1 | 1 | 1 |
| M123 | | M90944003 | マルヒラネジ° | Screw 9/64(40)×5 | 1 | 1 | 1 | 1 |
| M124 | | MP60A0337 | フィルタ°クミタテ | Filter | 1 | 1 | 1 | 1 |
| M125 | | M90905003 | マルヒラネジ° | Screw 9/64(40)×7 | 1 | 1 | 1 | 1 |
| M126 | | MP60E0601 | トリツガイタ°クミタテ | Mounting plate assy. | 1 | 1 | 1 | 1 |
| M127 | | MP40A4689 | ホルダ° | Holder | 1 | 1 | 1 | 1 |
| M128 | | MQ60A2780 | ホルダ° | Holder | 1 | 1 | 1 | 1 |
| M129 | | MN70A8780 | ホルダ° | Holder | - | 1 | - | 1 |
| M130 | | MP40A0571 | ア°ブ°ラツキ°テ | Oil pipe joint | - | 1 | - | 1 |
| M131 | | M91109004 | サ°ガ°ネツキ°ラマイネジ° | Screw 11/64(40)×9 | 3 | 3 | 3 | 3 |
| M132 | | MP60A0688 | ハ°イ° | Oil pipe 3D×1×370 | 1 | - | 1 | - |
| M132 | | MP48A0688 | ハ°イ° | Oil pipe 3D×1×100 | - | 1 | - | 1 |
| M134 | | MP40A3688 | ハ°イ° | Oil pipe 3D×1×300 | - | 1 | - | 1 |
| M136 | | MN50E0742 | フタクミタテ | Cover | 1 | 2 | 1 | 2 |
| M137 | | MF10E2148 | ヒモ° | Oil wick 2.5D×65 | 2 | 3 | 2 | 3 |
| M138 | | MF10E2148 | ヒモ° | Oil wick 2.5D×545 | 1 | 1 | 1 | 1 |
| M139 | | MP40A5688 | ハ°イ° | Oil pipe 3D×0.5×380 | 1 | 1 | 1 | 1 |
| M140 | | MP40A4688 | ハ°イ° | Oil pipe 3D×1×445 | - | 1 | - | 1 |
| M141 | | MN70A5780 | ホルダ° | Holder | 3 | 3 | 2 | 2 |
| M142 | | MP40E3688 | ハ°イ°ヒモクミタテ | Oil pipe assy. | 1 | 1 | 1 | 1 |
| M143 | | MP40E4688 | ハ°イ°ヒモクミタテ | Oil pipe assy. | 1 | 1 | 1 | 1 |
| M144 | | MP60A0689 | ホルダ° | Holder | 1 | 1 | 1 | 1 |
| M145 | | M91138002 | ヒラネジ° | Screw 11/64(40)×7 | 1 | 1 | 1 | 1 |
| M146 | | M91120004 | サ°ガ°ネツキ°ラマイネジ° | Screw 11/64(40)×6.5 | 1 | 1 | 1 | 1 |
| M147 | | MQ60A0429 | ササエイタ° | Holding plate | 1 | 1 | 1 | 1 |
| M148 | | MP60A0691 | ガ°スケツト | Gasket | 1 | - | 1 | - |
| M149 | | M90906002 | ヒラネジ° | Screw 9/64(40)×4.5 | 1 | 1 | 1 | 1 |






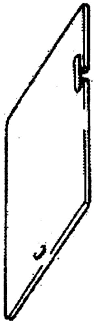










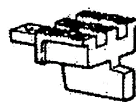
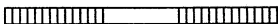
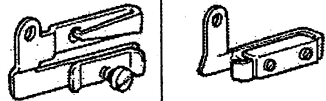
 付属品
 ACCESSORIES



**[N] 付属品
ACCESSORIES**

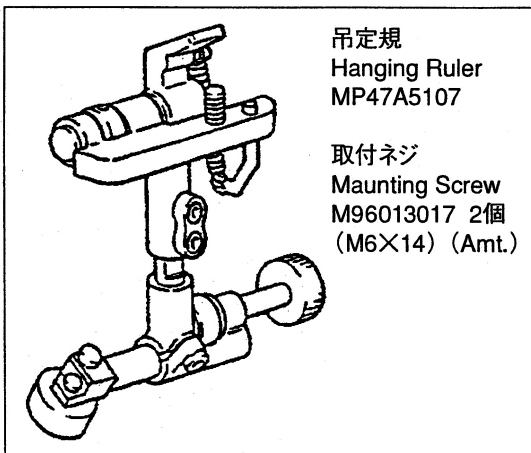
| Fig. No. | 変更 Mod. | 部品コード Parts. No. | 部 品 名 | Description | 使用個数 Amt. Req. | | | |
|----------|---------|------------------|----------------|------------------------------------|----------------|------|---------|------|
| | | | | | 4400 | 4420 | 4410-CS | 4430 |
| N101 | | MP20B0128 | ミシンハリ DP×17-23 | Needle DP×17-23 | 3 | 6 | - | 6 |
| N101 | | ML75A0128 | ミシンハリ DP×17-21 | Needle DP×17-21 | - | - | 3 | - |
| N102 | | MS01A1976 | スパナ ロツカクホウ 4 | Socket wrench 4 | 1 | 1 | 1 | 1 |
| N103 | | MS01A0976 | スパナ ロツカクホウ 3 | Socket wrench 3 | - | - | 1 | 1 |
| N104 | | MS02A1976 | スパナ ロツカクホウ 2.5 | Socket wrench 2.5 | 1 | 1 | 1 | 1 |
| N105 | | MS02A0976 | スパナ ロツカクホウ 2 | Socket wrench 2 | - | - | 1 | 1 |
| N106 | | MS10A0976 | スパナ ロツカクホウ 1.5 | Socket wrench 1.5 | - | 1 | - | 1 |
| N107 | | MN12B0123 | ホビン | Bobbin | 3 | 4 | - | - |
| N108 | | MP60A0123 | ホビン | Bobbin | - | - | 3 | 4 |
| N109 | | M90511050 | ミガキサガネ | Washer 5 | 4 | 4 | 4 | 4 |
| N110 | | M90409041 | マルモクネジ | Wood screw 4.5×20 | 2 | 2 | 2 | 2 |
| N111 | | MN70A0419 | ホウシゴム | Vibrastion preventing rubber | 2 | 2 | 2 | 2 |
| N112 | | MN70A1419 | ホウシゴム | Vibrastion preventing rubber | 2 | 2 | 2 | 2 |
| N113 | | MF60A0137 | アブラサシ | Oiler | 1 | 1 | 1 | 1 |
| N114 | | MF06A0608 | ネジマワシ(チユウ) | Screw driver (Middle) | 1 | 1 | 1 | 1 |
| N115 | | MF06A1608 | ネジマワシ(ショウ) | Screw driver (Small) | 1 | 1 | 1 | 1 |
| N116 | | MN10A0172 | イトトボシキクミタテ | Thread a needle kit | 1 | 1 | 1 | 1 |
| N117 | | MF01A0565 | カクトチョウセイイ | Speed command disc adjusting plate | - | - | 1 | 1 |
| N118 | | M90305037 | Pナベネジ | Screw M3×6 | - | - | 1 | 1 |
| N119 | | MN82A0180 | イトアンナイ | Thread guide | - | - | 1 | 1 |
| N121 | | MH10E0193 | イトタテアイセット | Cotton stand set | 1 | - | 1 | - |
| N121 | | MP62E0193 | イトタテアイセット | Cotton stand set | - | 1 | - | 1 |
| N122 | | MG52A0190 | イトマキシカケ | Bobbin winder | 1 | 1 | - | - |
| N122 | | MF08E0190 | イトマキシカケ | Bobbin winder | - | - | 1 | 1 |
| N123 | | M91120004 | サガネツキプ ラマイネジ | Screw 11/64 (40) × 6.5 | 4 | 4 | 6 | 6 |
| N124 | | M91508004 | プ ラマイネジ | Screw 15/64 (28) × 8 | 3 | 3 | 2 | 2 |
| N125 | | M91075004 | SW-PWツキ Pナベネジ | Screw M4×14 | - | - | 1 | 1 |
| N127 | | M90701099 | OP-S ジシヤク | Magnet block | 1 | 1 | 1 | 1 |
| N128 | | MF01E0418 | チョウバウセツト | Hinge with rubber cushion | 2 | 2 | 2 | 2 |
| N129 | | MF00A0608 | ネジマワシ(ダイ) | Screw driver (Large) | 1 | 1 | 1 | 1 |
| N130 | | MN40E0727 | コモノフヒンセツト | Knee lifter assy. | 1 | 1 | 1 | 1 |
| N131 | | MN40A0578 | ヒザアケヒンクミタテ | Knee lifter lifting rod | 1 | 1 | 1 | 1 |
| N132 | | MF20A1723 | ヒザアケジク | Knee lifter bar | 1 | 1 | 1 | 1 |
| N133 | | MF20A1729 | ヒネリハネ | Twist spring | 1 | 1 | 1 | 1 |
| N134 | | M92005031 | ボルト | Bolt | 1 | 1 | 1 | 1 |
| N135 | | M91501045 | ナット | Nut 15/64 (28) | 2 | 2 | 2 | 2 |
| N136 | | M91520001 | トメネジ | Set screw 15/64 (28) × 27 | 2 | 2 | 2 | 2 |
| N137 | | MN70A0724 | ヒザアケウテ | Knee lifter crank | 1 | 1 | 1 | 1 |
| N138 | | M90515065 | エガタトメワ 9 | Retaining ring E type 9 | 1 | 1 | 1 | 1 |
| N139 | | M97001052 | トクシユサガネ | Washer 8 | 1 | 1 | 1 | 1 |
| N140 | | M92002002 | ヒラネジ | Screw 5/16 (28) × 10 | 1 | 1 | 1 | 1 |
| N141 | | MN40A1139 | アブラソウ | Oil reservoir | 1 | 1 | 1 | 1 |
| N142 | | MP60A0734 | ビニールカバー | Vinyl cover | 1 | 1 | 1 | 1 |
| N143 | | MN70E0740 | フェルトクミタテ | Felt assy. | 1 | 1 | 1 | 1 |
| N144 | | M90409041 | マルモクネジ | Screw | 2 | 2 | 2 | 2 |
| N145 | | MN52A1245 | エンスイハネ | Spring | - | - | 1 | 1 |
| N901 | | MP60E1776 | ベルトカバーセット | Belt cover assy. | 1 | 1 | - | - |
| N902 | | MP61E4776 | ベルトカバーセット | Belt cover assy. | - | - | 1 | 1 |
| N903 | | MN70E0139 | アブラソウセット | Oil reservoir assy. | 1 | 1 | 1 | 1 |

□ ゲージ部品表
GAUGE PARTS LIST

| 針板 Needle Plate | 内押え Presser Foot (Inside) | 外押え Presser Foot (Outside) | 針ダキ Needle Clamp | 送り Feed Dog | スベリ板(左) Slide Plate (L) | スベリ板(右) Slide Plate (R) |
|---|---|---|---|---|---|---|
|  |  |  |  |  |  |  |
| 1/8~5/16 | 1/8~5/16 | 1/8~5/16 | 1/8~5/16 | 1/8~5/16 | | |
|  |  |  |  |  | | |
| 3/8~5/8 | 3/8~5/8 | 3/8~5/8 | 3/8~5/8 | 3/8~5/8 | | |
|  |  |  |  |  | Fig.J135 植込ミボルト Connecting bolt | |
| | | | | |  | |
| | | | | | 1/8~5/8 M95004023 | 3/4~1 M95006023 |
| | | | | | Fig. A901 糸案内(組) Fig. A902 Thread guide (complete) | |
|  | | | | | | |
| 3/4~1 | 3/4~1 | 3/4~1 | 3/4~1 | 3/4~1 | 1/8~3/8 MP62E0180 | 1/2~1 MN62E0180 |

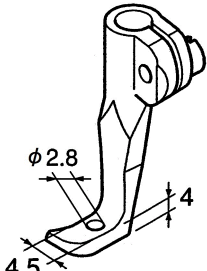
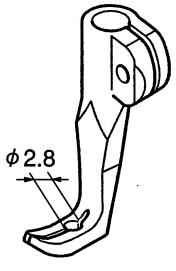
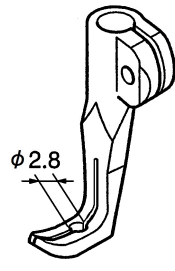
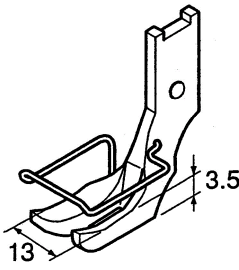
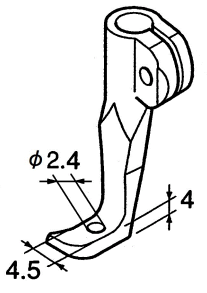
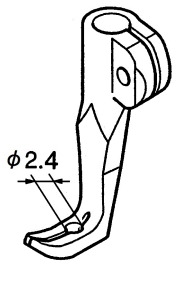
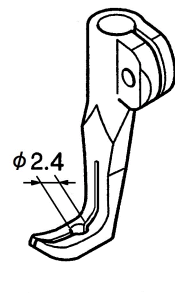
□ ゲージ部品表
GAUGE PARTS LIST

| 針幅寸法 Gauge Size | 針板 Needle Plate | 内押え Presser Foot (Inside) | 外押え Presser Foot (Outside) | 針ダキ Needle Clamp | 送り Feed Dog | スベリ板(左) Slide Plate (L) | スベリ板(右) Slide Plate (R) |
|-----------------------|-----------------------|---------------------------------|----------------------------------|------------------------|----------------|-------------------------------|-------------------------------|
| LU2-4400-B0B | | | | | | | |
| | MP40B0101 | MP60A3107 | MP60E0106 | | MP40B0104 | MP00B0473 | MP60A0474 |
| LU2-4410-B1T-CS | | | | | | | |
| | MP61A2101 | MP60A3107 | MP60E0106 | | MP61A0104 | MP00B0473 | MP61A2474 |
| LU2-4420-B0B | | | | | | | |
| 1/8 (3.2mm) | MP42J4101 | MP20J4107 | MP20J4106 | MP20J4102 | MP20J4104 | MN10A0473 | MN10A0474 |
| 5/32 (4mm) | MP42J5101 | MP20J5107 | MP20J5106 | MP20J5102 | MP20J5104 | MN10A0473 | MN10A0474 |
| 3/16 (4.8mm) | MP42J6101 | MP43J6107 | MP43J6106 | MP43J6102 | MP43J6104 | MN10A0473 | MN10A0474 |
| 1/4 (6.4mm) | MP42J8101 | MP20J8107 | MP62A0106 | MP20J8102 | MP20J8104 | MN10A0473 | MN10A0474 |
| 5/16 (8mm) | MP42J9101 | MP20J9107 | MP20J9106 | MP20J9102 | MP20J9104 | MP20B1473 | MN10A0474 |
| 3/8 (9.5mm) | MP42K1101 | MP20K1107 | MP20K1106 | MP20K1102 | MP20K1104 | MP20B1473 | MN10A0474 |
| 1/2 (12.7mm) | MP42K3101 | MP20K3107 | MP20K3106 | MP20K3102 | MP20K3104 | MP00B0473 | MN10A0474 |
| 5/8 (16mm) | MP42K4101 | MP20K4107 | MP20K4106 | MP20K4102 | MP20K4104 | MP00B0473 | MN10A0474 |
| 3/4 (19mm) | MP42K5101 | MP20K5107 | MP20K5106 | MP20K5102 | MP20K5104 | MP20B2473 | MP20B2474 |
| 1 (25.4mm) | MP42K6101 | MP20K6107 | MP20K6106 | MP20K6102 | MP20K6104 | MP20B3473 | MP20B2474 |
| LU2-4430-B1T | | | | | | | |
| 1/8 (3.2mm) | MP43J4101 | MP20J4107 | MP20J4106 | MP20J4102 | MP43J4104 | MN72A1473 | MN72A1474 |
| 5/32 (4mm) | MP43J5101 | MP20J5107 | MP20J5106 | MP20J5102 | MP43J5104 | MN72A1473 | MN72A1474 |
| 3/16 (4.8mm) | MP43J6101 | MP43J6107 | MP43J6106 | MP43J6102 | MP43J6104 | MN72A1473 | MN72A1474 |
| 1/4 (6.4mm) | MP43J8101 | MP20J8107 | MP62A0106 | MP20J8102 | MP43J8104 | MN72A1473 | MN72A1474 |
| 5/16 (8mm) | MP43J9101 | MP20J9107 | MP20J9106 | MP20J9102 | MP43J9104 | MN72A2473 | MN72A1474 |
| 3/8 (9.5mm) | MP43K1101 | MP20K1107 | MP20K1106 | MP20K1102 | MP43K1104 | MN72A2473 | MN72A1474 |
| 5/8 (16mm) | MP43K4101 | MP20K4107 | MP20K4106 | MP20K4102 | MP43K4104 | MN72A3473 | MN72A1474 |

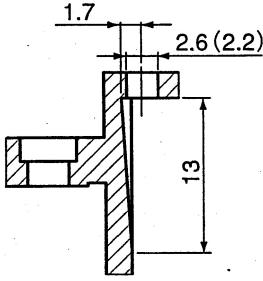
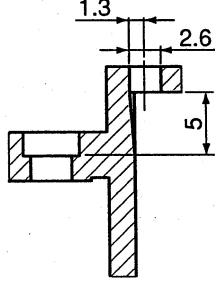


Q オプションパーツ
OPTION PARTS

LU2-4400-B0B、LU2-4410-B1T-CS オプションパーツ OPTION PARTS

| 内押え Presser Foot (inside) | | | 外押え Presser Foot (outside) |
|---|---|---|--|
|  MP60A3107 |  MP66A0107 |  MP60A4107 |  MP60E0106 |
|  MP60A5107 |  MP66A1107 |  MP61A2107 | |

LU2-4410-B1T(-CS) オプションパーツ OPTION PARTS

| 部品名 | Description | 部品コード Parts. No. | 針穴寸法 Needle hole | 針受け寸法 Dimension |
|--------------|-------------|---------------------|---------------------|--|
| 送り | Feed Dog | MP61A0104 | 3.8×2.6 |  |
| 送り | Feed Dog | MP41B0104 | 4.5×2.6 | |
| 送り | Feed Dog | MP41B1104 | 3.2×2.2 | |
| 送り (細針対応) | Feed Dog | MP61A1104 | 3.8×2.6 |  |

索引 (I) INDEX (I)

| 部品コード Parts. No. | ページ Page | 図 No. | 部品コード Parts. No. | ページ Page | 図 No. | 部品コード Parts. No. | ページ Page | 図 No. | 部品コード Parts. No. | ページ Page | 図 No. |
|---------------------|-------------|----------|---------------------|-------------|----------|---------------------|-------------|----------|---------------------|-------------|----------|
| M90102053 | P17 | H112 | M90851015 | P9 | D140 | M91109004 | P25 | M131 | M91508022 | P19 | J124 |
| M90105062 | P9 | D137 | M90879045 | P15 | G157 | M91110002 | P13 | F114 | M91509002 | P17 | H102 |
| M90107024 | P11 | E126 | M90883080 | P3 | A101 | M91110002 | P21 | K101 | M91509022 | P19 | J131 |
| M90202060 | P5 | B108 | M90901045 | P5 | B147 | M91111001 | P25 | M116 | M91513022 | P15 | G154 |
| M90203060 | P5 | B132 | M90902011 | P15 | G123 | M91111003 | P9 | D121 | M91516001 | P15 | G111 |
| M90208099 | P23 | L106 | M90902015 | P5 | B104 | M91111015 | P21 | K123 | M91516002 | P7 | C116 |
| M90251037 | P23 | L107 | M90903002 | P25 | M110 | M91111030 | P21 | K140 | M91516002 | P13 | F102 |
| M90252037 | P23 | L110 | M90903010 | P3 | A121 | M91111033 | P19 | J126 | M91516002 | P21 | K116 |
| M90304053 | P25 | M111 | M90903010 | P19 | J106 | M91111033 | P21 | K147 | M91516015 | P23 | L133 |
| M90305037 | P27 | N118 | M90904011 | P3 | A125 | M91112002 | P9 | D125 | M91517015 | P23 | L137 |
| M90306053 | P23 | L111 | M90904060 | P13 | F105 | M91112002 | P21 | K153 | M91519002 | P23 | L131 |
| M90315050 | P23 | L112 | M90905002 | P9 | D143 | M91112015 | P21 | K107 | M91520001 | P27 | N136 |
| M90317065 | P15 | G119 | M90905003 | P25 | M125 | M91113002 | P9 | D149 | M91520002 | P23 | L128 |
| M90325065 | P9 | D112 | M90906002 | P5 | B122 | M91113002 | P11 | E130 | M91551015 | P9 | D109 |
| M90330065 | P23 | L120 | M90906002 | P25 | M149 | M91113033 | P9 | D145 | M91552015 | P15 | G134 |
| M90335065 | P15 | G148 | M90906010 | P19 | J119 | M91116002 | P3 | A109 | M91572045 | P9 | D104 |
| M90401050 | P17 | H115 | M90907010 | P19 | J104 | M91120004 | P25 | M146 | M91572045 | P15 | G131 |
| M90401053 | P21 | K166 | M90909003 | P5 | B145 | M91120004 | P27 | N123 | M91576045 | P23 | L143 |
| M90401061 | P11 | E136 | M90910003 | P5 | B117 | M91128003 | P3 | A116 | M91601003 | P3 | A117 |
| M90409041 | P27 | N110 | M90910003 | P17 | H114 | M91131015 | P21 | K131 | M91601016 | P9 | D128 |
| M90409041 | P27 | N144 | M90911030 | P19 | J101 | M91134015 | P19 | J122 | M91601045 | P9 | D127 |
| M90450050 | P9 | D123 | M90915003 | P5 | B136 | M91138002 | P25 | M145 | M91602001 | P7 | C102 |
| M90451050 | P11 | E127 | M90920002 | P3 | A139 | M91151003 | P9 | D118 | M91602001 | P15 | G118 |
| M90505065 | P5 | B124 | M90920002 | P5 | B118 | M91201011 | P3 | A129 | M91602001 | P17 | H128 |
| M90505065 | P15 | G108 | M90927015 | P5 | B120 | M91201020 | P17 | H118 | M91602003 | P21 | K161 |
| M90507063 | P9 | D116 | M90928015 | P5 | B143 | M91201022 | P19 | J129 | M91602016 | P9 | D133 |
| M90509060 | P11 | E135 | M90930016 | P5 | B107 | M91201045 | P17 | H124 | M91602020 | P21 | K119 |
| M90511050 | P27 | N109 | M90944002 | P19 | J109 | M91201045 | P21 | K138 | M91603001 | P15 | G105 |
| M90512065 | P23 | L103 | M90944003 | P25 | M123 | M91204003 | P15 | G144 | M91603001 | P17 | H131 |
| M90513065 | P7 | C122 | M90945003 | P11 | E120 | M91205030 | P17 | H125 | M91603003 | P9 | D106 |
| M90514060 | P3 | A140 | M90946003 | P11 | E148 | M91209002 | P13 | F126 | M91603003 | P11 | E141 |
| M90515065 | P27 | N138 | M90952003 | P3 | A124 | M91215002 | P13 | F118 | M91603003 | P15 | G135 |
| M90516060 | P3 | A140 | M91000085 | P13 | F125 | M91231015 | P21 | K133 | M91603003 | P21 | K162 |
| M90526065 | P15 | G115 | M91001020 | P21 | K122 | M91252045 | P17 | H113 | M91603046 | P5 | B109 |
| M90550050 | P19 | J128 | M91001050 | P17 | H119 | M91260030 | P17 | H109 | M91604080 | P3 | A113 |
| M90601053 | P23 | L142 | M91002045 | P21 | K165 | M91271015 | P19 | J132 | M91606001 | P7 | C103 |
| M90602002 | P11 | E122 | M91004067 | P21 | K105 | M91301001 | P3 | A120 | M91606001 | P9 | D114 |
| M90602003 | P5 | B113 | M91004080 | P23 | L108 | M91304080 | P3 | A105 | M91606016 | P9 | D134 |
| M90602050 | P15 | G133 | M91005067 | P21 | K104 | M91305080 | P3 | A111 | M91609046 | P5 | B131 |
| M90603003 | P5 | B113 | M91055020 | P21 | K121 | M91373045 | P21 | K114 | M91610046 | P5 | B109 |
| M90604002 | P3 | A142 | M91075004 | P27 | N125 | M91374045 | P19 | J134 | M91611046 | P5 | B134 |
| M90604011 | P11 | E116 | M91101045 | P5 | B125 | M91377045 | P19 | J136 | M91652002 | P17 | H122 |
| M90605002 | P19 | J111 | M91101045 | P21 | K151 | M91402010 | P25 | M104 | M91653001 | P9 | D102 |
| M90605063 | P7 | C120 | M91101045 | P23 | L138 | M91501003 | P7 | C129 | M91653002 | P9 | D126 |
| M90607050 | P9 | D107 | M91101046 | P5 | B131 | M91501007 | P7 | C113 | M91654001 | P7 | C107 |
| M90607050 | P17 | H121 | M91102002 | P13 | F111 | M91501045 | P27 | N135 | M91654001 | P9 | D151 |
| M90615063 | P21 | K150 | M91102002 | P21 | K146 | M91502002 | P7 | C111 | M91654001 | P15 | G137 |
| M90617063 | P7 | C125 | M91103016 | P21 | K149 | M91502002 | P11 | E111 | M91655001 | P17 | H130 |
| M90631050 | P15 | G155 | M91104011 | P3 | A123 | M91502022 | P23 | L145 | M91658002 | P17 | H123 |
| M90701099 | P27 | N127 | M91106004 | P3 | A102 | M91502045 | P23 | L136 | M91681015 | P9 | D120 |
| M90801010 | P19 | J108 | M91106004 | P13 | F137 | M91503001 | P7 | C130 | M91801002 | P7 | C104 |
| M90802001 | P5 | B139 | M91106004 | P21 | K108 | M91503001 | P17 | H126 | M91802006 | P7 | C105 |
| M90803010 | P21 | K164 | M91106004 | P23 | L116 | M91503007 | P7 | C128 | M91910080 | P3 | A112 |
| M90803020 | P15 | G151 | M91106022 | P19 | J102 | M91505002 | P13 | F108 | M92001015 | P11 | E145 |
| M90804016 | P3 | A135 | M91107002 | P9 | D139 | M91505007 | P13 | F103 | M92002002 | P27 | N140 |
| M90805002 | P25 | M122 | M91107002 | P25 | M115 | M91506001 | P11 | E104 | M92002045 | P11 | E143 |
| M90810002 | P15 | G160 | M91107045 | P21 | K139 | M91506001 | P13 | F133 | M92003002 | P11 | E103 |
| M90813002 | P11 | E123 | M91108002 | P11 | E147 | M91506001 | P23 | L130 | M92005031 | P27 | N134 |
| M90816002 | P21 | K126 | M91109002 | P21 | K115 | M91506033 | P9 | D131 | M93001050 | P23 | L121 |
| M90825002 | P21 | K137 | M91109004 | P3 | A127 | M91508004 | P27 | N124 | M93002050 | P23 | L129 |

索引 (Ⅱ) INDEX (Ⅱ)

| 部品コード Parts. No. | ページ Page | Fig. No. | 部品コード Parts. No. | ページ Page | Fig. No. | 部品コード Parts. No. | ページ Page | Fig. No. | 部品コード Parts. No. | ページ Page | Fig. No. |
|---------------------|-------------|-------------|---------------------|-------------|-------------|---------------------|-------------|-------------|---------------------|-------------|-------------|
| M93006020 | P15 | G156 | MF80A0352 | P15 | G138 | MN40A0273 | P15 | G141 | MN60A0173 | P21 | K106 |
| M94003099 | P21 | K112 | MF80A0780 | P15 | G147 | MN40A0278 | P15 | G145 | MN60A0411 | P19 | J114 |
| M94003099 | P23 | L115 | MF80A0852 | P13 | F116 | MN40A0325 | P15 | G125 | MN60A0454 | P21 | K142 |
| M95001037 | P21 | K163 | MF90A0640 | P13 | F124 | MN40A0454 | P15 | G126 | MN60A0620 | P21 | K111 |
| M95003053 | P13 | F109 | MG10B0411 | P9 | D117 | MN40A0456 | P15 | G114 | MN60A0836 | P19 | J120 |
| M95003067 | P21 | K128 | MG10B0833 | P9 | D103 | MN40A0491 | P15 | G142 | MN60A0837 | P19 | J118 |
| M95004021 | P15 | G152 | MG33A0956 | P9 | D108 | MN40A0578 | P27 | N131 | MN60A0886 | P21 | K124 |
| M95004023 | P19 | J135 | MG52A0190 | P27 | N122 | MN40A0669 | P11 | E139 | MN60A0950 | P19 | J901 |
| M95007063 | P25 | M119 | MH10E0193 | P27 | N121 | MN40A0705 | P25 | M121 | MN60A1344 | P17 | H127 |
| M95007067 | P21 | K145 | MH19A0259 | P11 | E132 | MN40A0725 | P9 | D130 | MN60A1345 | P17 | H101 |
| M95008020 | P13 | F130 | MH40A0556 | P5 | B111 | MN40A1139 | P27 | N141 | MN60A1742 | P19 | J121 |
| M95014021 | P13 | F129 | ML70A0237 | P3 | A108 | MN40A1320 | P13 | F106 | MN60A2228 | P19 | J130 |
| M95043021 | P23 | L114 | ML75A0128 | P11 | E149 | MN40A1454 | P15 | G130 | MN60A2572 | P13 | F112 |
| M97001052 | P27 | N139 | ML75A0128 | P27 | N101 | MN40A1572 | P25 | M120 | MN60A2742 | P19 | J116 |
| M97003095 | P23 | L148 | ML75A0884 | P11 | E133 | MN40A1750 | P7 | C115 | MN60A3228 | P19 | J125 |
| M97008060 | P5 | B146 | ML75E0702 | P9 | D142 | MN40A1956 | P15 | G124 | MN60A5572 | P21 | K130 |
| M97348099 | P23 | L109 | MN10A0131 | P3 | A133 | MN40E0724 | P9 | D135 | MN60A6572 | P21 | K103 |
| M98004022 | P23 | L140 | MN10A0155 | P5 | B105 | MN40E0727 | P27 | N130 | MN60E0154 | P19 | J117 |
| MB62A0975 | P19 | J137 | MN10A0172 | P27 | N116 | MN42A0383 | P7 | C101 | MN60E0746 | P21 | K110 |
| ME20A0406 | P23 | L903 | MN10A0181 | P3 | A130 | MN45A0154 | P13 | F136 | MN60E0950 | P21 | K129 |
| MF00A0192 | P23 | L113 | MN10A0220 | P5 | B102 | MN45A0352 | P13 | F132 | MN60E1154 | P19 | J113 |
| MF00A0257 | P13 | F119 | MN10A0252 | P9 | D144 | MN45A1321 | P13 | F901 | MN62E0180 | P3 | A902 |
| MF00A0608 | P27 | N129 | MN10A0258 | P9 | D132 | MN50A0192 | P19 | J110 | MN69A0181 | P5 | B144 |
| MF00A0852 | P13 | F117 | MN10A0262 | P9 | D150 | MN50A0232 | P7 | C106 | MN70A0154 | P5 | B138 |
| MF00A0950 | P13 | F122 | MN10A0267 | P9 | D141 | MN50A0265 | P9 | D124 | MN70A0308 | P5 | B141 |
| MF00A7572 | P23 | L104 | MN10A0292 | P15 | G104 | MN50A0278 | P15 | G145 | MN70A0387 | P11 | E112 |
| MF01A0259 | P23 | L122 | MN10A0302 | P17 | H108 | MN50A0320 | P13 | F106 | MN70A0419 | P27 | N111 |
| MF01A0476 | P23 | L125 | MN10A0343 | P17 | H120 | MN50A0350 | P21 | K118 | MN70A0477 | P5 | B137 |
| MF01A0502 | P23 | L105 | MN10A0352 | P9 | D138 | MN50A0352 | P11 | E138 | MN70A0554 | P5 | B116 |
| MF01A0565 | P27 | N117 | MN10A0451 | P15 | G101 | MN50A0411 | P21 | K132 | MN70A0573 | P5 | B135 |
| MF01A0631 | P13 | F121 | MN10A0476 | P3 | A132 | MN50A0417 | P23 | L134 | MN70A0632 | P13 | F110 |
| MF01A1476 | P23 | L123 | MN10A0477 | P5 | B119 | MN50A0426 | P3 | A118 | MN70A0724 | P27 | N137 |
| MF01E0418 | P27 | N128 | MN10A0500 | P11 | E110 | MN50A0477 | P21 | K159 | MN70A0750 | P5 | B140 |
| MF02A0245 | P13 | F123 | MN10A0554 | P5 | B116 | MN50A0507 | P19 | J112 | MN70A0780 | P25 | M105 |
| MF06A0608 | P27 | N114 | MN10A0555 | P5 | B112 | MN50A0555 | P5 | B129 | MN70A1419 | P27 | N112 |
| MF06A1608 | P27 | N115 | MN10A0556 | P5 | B111 | MN50A0750 | P21 | K117 | MN70A1553 | P5 | B128 |
| MF08E0190 | P27 | N122 | MN10A0587 | P11 | E106 | MN50A0780 | P21 | K158 | MN70A2472 | P3 | A119 |
| MF10A0555 | P5 | B112 | MN10A0601 | P5 | B101 | MN50A0839 | P19 | J103 | MN70A2750 | P17 | H103 |
| MF10A0689 | P21 | K155 | MN10A0740 | P11 | E118 | MN50A0910 | P19 | J127 | MN70A5780 | P25 | M141 |
| MF10A0689 | P25 | M112 | MN10A0771 | P15 | G122 | MN50A1411 | P21 | K125 | MN70A8780 | P25 | M129 |
| MF10A1553 | P5 | B128 | MN10A0851 | P5 | B103 | MN50A1780 | P23 | L117 | MN70E0138 | P25 | M103 |
| MF10A1555 | P5 | B129 | MN10A1181 | P3 | A126 | MN50A2910 | P23 | L144 | MN70E0139 | P27 | N903 |
| MF10A2572 | P13 | F115 | MN10A1456 | P7 | C114 | MN50A3454 | P21 | K141 | MN70E0175 | P5 | B142 |
| MF10E0148 | P15 | G146 | MN10A1456 | P23 | L119 | MN50A3572 | P21 | K143 | MN70E0281 | P15 | G902 |
| MF10E2148 | P11 | E101 | MN10A1555 | P5 | B106 | MN50A3601 | P21 | K156 | MN70E0291 | P13 | F101 |
| MF10E2148 | P11 | E146 | MN10A1572 | P5 | B148 | MN50A3950 | P21 | K148 | MN70E0740 | P27 | N143 |
| MF10E2148 | P17 | H106 | MN10A1851 | P7 | C110 | MN50A4572 | P5 | B126 | MN70E1148 | P11 | E105 |
| MF10E2148 | P17 | H107 | MN10A2456 | P15 | G121 | MN50A5228 | P23 | L146 | MN70E1148 | P15 | G102 |
| MF10E2148 | P25 | M137 | MN10A4742 | P3 | A114 | MN50A5742 | P3 | A122 | MN70E1148 | P15 | G107 |
| MF10E2148 | P25 | M138 | MN10A6740 | P7 | C108 | MN50A6228 | P13 | F107 | MN70E1175 | P5 | B114 |
| MF10E3148 | P11 | E109 | MN10E0175 | P5 | B114 | MN50A6601 | P5 | B123 | MN72A0350 | P21 | K120 |
| MF20A1723 | P27 | N132 | MN10E0301 | P17 | H901 | MN50E0220 | P5 | B102 | MN72A0632 | P13 | F110 |
| MF20A1729 | P27 | N133 | MN12B0123 | P17 | H105 | MN50E0601 | P5 | B101 | MN72A0950 | P5 | B121 |
| MF23C0245 | P5 | B110 | MN12B0123 | P27 | N107 | MN50E0742 | P25 | M136 | MN72A0975 | P19 | J133 |
| MF36A0245 | P5 | B130 | MN12B0342 | P17 | H117 | MN52A0300 | P17 | H116 | MN72A1601 | P21 | K134 |
| MF36A0680 | P25 | M109 | MN25A0325 | P11 | E134 | MN52A0301 | P17 | H111 | MN72A1694 | P23 | L124 |
| MF36A0750 | P21 | K136 | MN25A0671 | P11 | E144 | MN52A1245 | P27 | N145 | MN72A1750 | P21 | K135 |
| MF60A0137 | P27 | N113 | MN40A0154 | P13 | F113 | MN52A2245 | P17 | H133 | MN72A1950 | P23 | L132 |
| MF60A0700 | P9 | D111 | MN40A0180 | P3 | A110 | MN55A2672 | P11 | E142 | MN72E0281 | P15 | G902 |
| MF70A0286 | P15 | G136 | MN40A0221 | P9 | D147 | MN60A0172 | P21 | K102 | MN72E1519 | P23 | L139 |

索引 (Ⅲ) INDEX (Ⅲ)

| 部品コード Parts. No. | ページ Page | Fig. No. | 部品コード Parts. No. | ページ Page | Fig. No. | 部品コード Parts. No. | ページ Page | Fig. No. | 部品コード Parts. No. | ページ Page | Fig. No. |
|---------------------|-------------|-------------|---------------------|-------------|-------------|---------------------|-------------|-------------|---------------------|-------------|-------------|
| MN80A1154 | P11 | E128 | MP41A0270 | P15 | G110 | MP60E0305 | P15 | G901 | | | |
| MN82A0180 | P27 | N119 | MP41A0275 | P15 | G132 | MP60E0582 | P11 | E901 | | | |
| MN82A0694 | P23 | L126 | MP41A0511 | P9 | D136 | MP60E0601 | P25 | M126 | | | |
| MP00A0120 | P17 | H104 | MP41A0572 | P15 | G109 | MP60E0668 | P11 | E903 | | | |
| MP00B0346 | P7 | C124 | MP41A0763 | P9 | D115 | MP60E0688 | P25 | M107 | | | |
| MP00B0462 | P9 | D105 | MP41A0765 | P9 | D122 | MP60E1210 | P5 | B901 | | | |
| MP00B0477 | P3 | A141 | MP41A0838 | P19 | J105 | MP60E1635 | P13 | F131 | | | |
| MP00B0643 | P17 | H132 | MP41A0956 | P9 | D119 | MP60E1666 | P11 | E902 | | | |
| MP00B0661 | P11 | E114 | MP41A1270 | P5 | B127 | MP60E1776 | P27 | N901 | | | |
| MP00B0665 | P11 | E119 | MP41B0838 | P19 | J107 | MP61A0187 | P5 | B115 | | | |
| MP00B0729 | P7 | C123 | MP41E0582 | P11 | E901 | MP61A0192 | P3 | A115 | | | |
| MP00B0740 | P3 | A143 | MP41E0642 | P17 | H129 | MP61A0245 | P5 | B130 | | | |
| MP00B0768 | P7 | C131 | MP41E0644 | P17 | H902 | MP61A0729 | P23 | L135 | | | |
| MP00B0871 | P7 | C119 | MP42A0740 | P15 | G159 | MP61A0742 | P3 | A134 | | | |
| MP00B0881 | P11 | E125 | MP43A0910 | P19 | J123 | MP61A0841 | P13 | F120 | | | |
| MP00B0882 | P11 | E129 | MP46A0181 | P11 | E124 | MP61A2601 | P5 | B101 | | | |
| MP00B0883 | P11 | E131 | MP47A0281 | P15 | G153 | MP61A6120 | P17 | H104 | | | |
| MP00B0952 | P7 | C126 | MP47A1454 | P15 | G149 | MP61E0228 | P21 | K152 | | | |
| MP00B1180 | P3 | A144 | MP47A1740 | P15 | G143 | MP61E0519 | P21 | K154 | | | |
| MP00B1572 | P9 | D146 | MP47A2601 | P23 | L141 | MP61E0682 | P23 | L902 | | | |
| MP00B1750 | P7 | C127 | MP47A2750 | P15 | G117 | MP61E1534 | P23 | L901 | | | |
| MP00B1760 | P9 | D113 | MP47A3750 | P25 | M117 | MP61E2210 | P5 | B903 | | | |
| MP00B1910 | P7 | C121 | MP48A0281 | P15 | G153 | MP61E4776 | P27 | N902 | | | |
| MP00E0768 | P7 | C901 | MP48A0688 | P25 | M132 | MP62A0187 | P5 | B115 | | | |
| MP10B0554 | P5 | B116 | MP60A0123 | P17 | H105 | MP62A0660 | P11 | E121 | | | |
| MP20B0128 | P11 | E149 | MP60A0123 | P27 | N108 | MP62E0180 | P3 | A901 | | | |
| MP20B0128 | P27 | N101 | MP60A0148 | P11 | E113 | MP62E0193 | P27 | N121 | | | |
| MP40A0148 | P15 | G127 | MP60A0180 | P3 | A138 | MP62E1210 | P5 | B902 | | | |
| MP40A0148 | P15 | G129 | MP60A0202 | P3 | A137 | MP62E1666 | P11 | E902 | | | |
| MP40A0265 | P9 | D148 | MP60A0228 | P13 | F107 | MP63A0742 | P3 | A134 | | | |
| MP40A0268 | P9 | D101 | MP60A0230 | P7 | C109 | MP63E1210 | P5 | B904 | | | |
| MP40A0340 | P17 | H110 | MP60A0337 | P25 | M124 | MP66A0603 | P21 | K144 | | | |
| MP40A0344 | P17 | H127 | MP60A0339 | P3 | A103 | MQ60A0429 | P25 | M147 | | | |
| MP40A0345 | P17 | H101 | MP60A0431 | P3 | A145 | MQ60A1780 | P23 | L118 | | | |
| MP40A0383 | P7 | C101 | MP60A0500 | P3 | A107 | MQ60A2780 | P25 | M128 | | | |
| MP40A0425 | P11 | E102 | MP60A0584 | P3 | A104 | MS01A0976 | P27 | N103 | | | |
| MP40A0450 | P15 | G103 | MP60A0601 | P3 | A131 | MS01A1976 | P27 | N102 | | | |
| MP40A0452 | P15 | G106 | MP60A0631 | P13 | F127 | MS02A0976 | P27 | N105 | | | |
| MP40A0523 | P7 | C118 | MP60A0660 | P11 | E121 | MS02A1976 | P27 | N104 | | | |
| MP40A0571 | P25 | M130 | MP60A0668 | P11 | E140 | MS10A0976 | P27 | N106 | | | |
| MP40A0688 | P25 | M106 | MP60A0672 | P11 | E137 | MT60A0802 | P5 | B133 | | | |
| MP40A0729 | P9 | D129 | MP60A0688 | P25 | M132 | MV11A0148 | P15 | G150 | | | |
| MP40A0740 | P13 | F135 | MP60A0689 | P25 | M144 | MV11E0682 | P7 | C117 | | | |
| MP40A0760 | P15 | G104 | MP60A0691 | P25 | M148 | | | | | | |
| MP40A0768 | P7 | C112 | MP60A0734 | P27 | N142 | | | | | | |
| MP40A1740 | P13 | F134 | MP60A0744 | P15 | G158 | | | | | | |
| MP40A2688 | P25 | M118 | MP60A0750 | P23 | L147 | | | | | | |
| MP40A3688 | P25 | M134 | MP60A0761 | P13 | F128 | | | | | | |
| MP40A3740 | P25 | M101 | MP60A0956 | P13 | F104 | | | | | | |
| MP40A4688 | P25 | M140 | MP60A1187 | P5 | B115 | | | | | | |
| MP40A4689 | P25 | M127 | MP60A1601 | P21 | K113 | | | | | | |
| MP40A5688 | P25 | M139 | MP60A1689 | P25 | M113 | | | | | | |
| MP40E0453 | P15 | G116 | MP60A1830 | P3 | A128 | | | | | | |
| MP40E0601 | P5 | B101 | MP60A1880 | P3 | A106 | | | | | | |
| MP40E1688 | P25 | M108 | MP60A2572 | P3 | A136 | | | | | | |
| MP40E2688 | P25 | M102 | MP60A2601 | P23 | L102 | | | | | | |
| MP40E3688 | P25 | M142 | MP60A2689 | P25 | M114 | | | | | | |
| MP40E4688 | P25 | M143 | MP60A3572 | P21 | K127 | | | | | | |
| MP40E5688 | P9 | D110 | MP60E0180 | P3 | A901 | | | | | | |
| MP41A0245 | P5 | B110 | MP60E0270 | P23 | L101 | | | | | | |

名菱テクニカ株式会社

お問い合わせは下記へどうぞ

縫製機械事業部 縫製営業部 〒488-0052 愛知県尾張旭市下井町下井 2039-1

代表電話番号 (0561)51-1231 代表FAX番号 (0561)51-1212