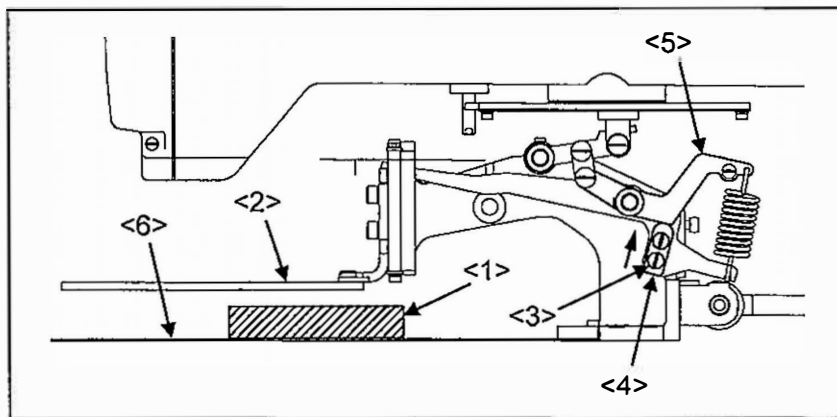


Adjustment of the work holder (the adjustment for holding thick sewing material)

- (1) If the sewing material (No.1) is thick and the work holder does not press the sewing material strong enough, adjust the work holder (No.2) as follows.
- (2) Turn the power switch on and insert the sewing material under the work holder then, lower the work holder with the work holder foot switch.
- (3) Loosen the set screws (No.3) and hold the adjust plate (No.4) against the upper link (No.5) then, tighten the set screws (No.3). (Right and left side)
- (4) When adjusting the work holder as described above, the work holder does not go down to the feed plate (No.6) even when the work holder goes up or goes down without sewing materials.
To press thin materials, adjust the adjust plate (No.4) again.



- <1>: Sewing material
- <2>: Work holder
- <3>: Set screw
- <4>: Adjust plate
- <5>: Link
- <6>: Feed plate