

JIN

NA-10UT

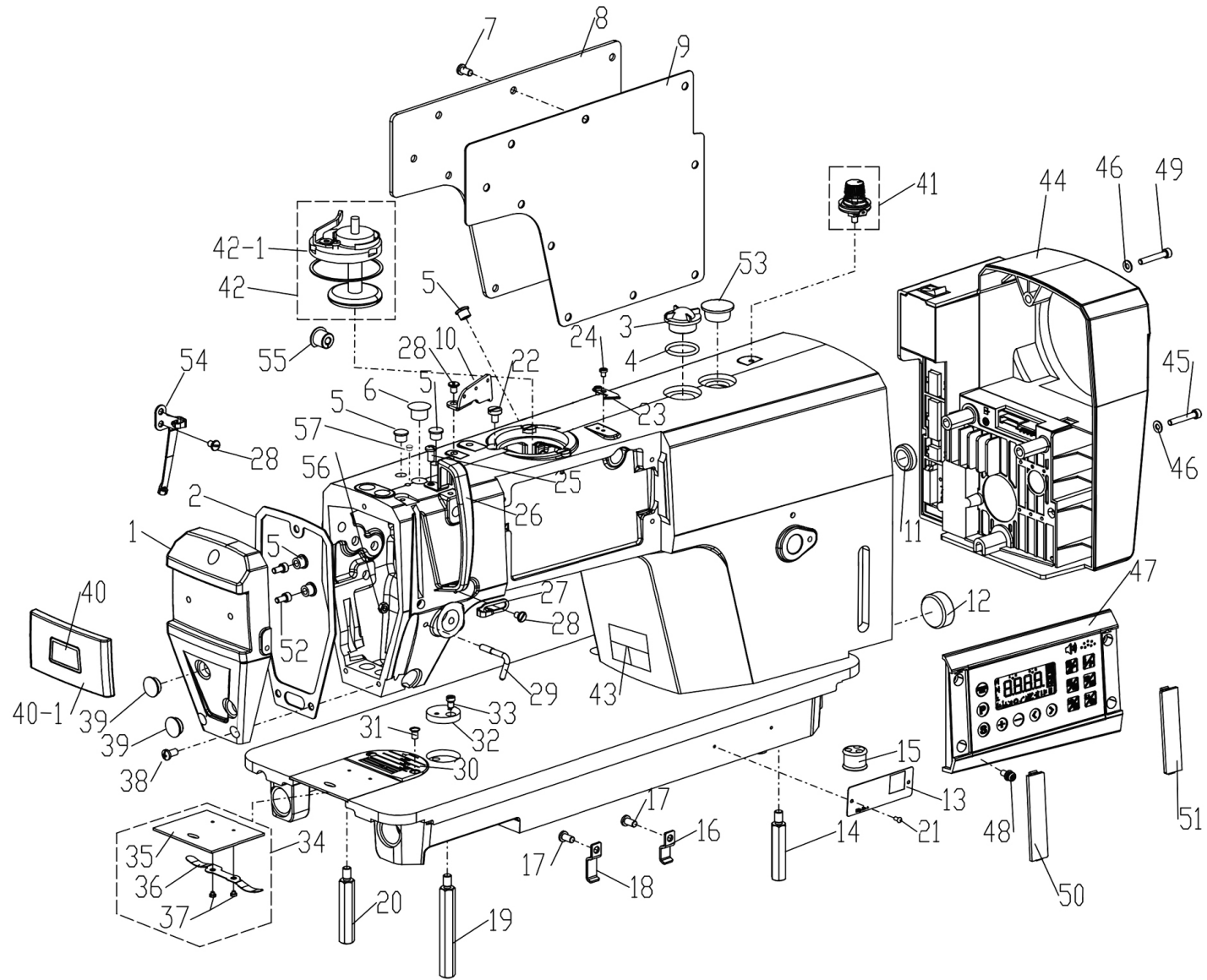
Direct Drive, 1-needle, Bottom-feed,
Lockstitch Machine with Automatic Thread trimmer (Double-capacity Hook)

直驱单针平缝双倍旋梭缝缝纫机(自动切线式样)

PARTS LIST

零件部分

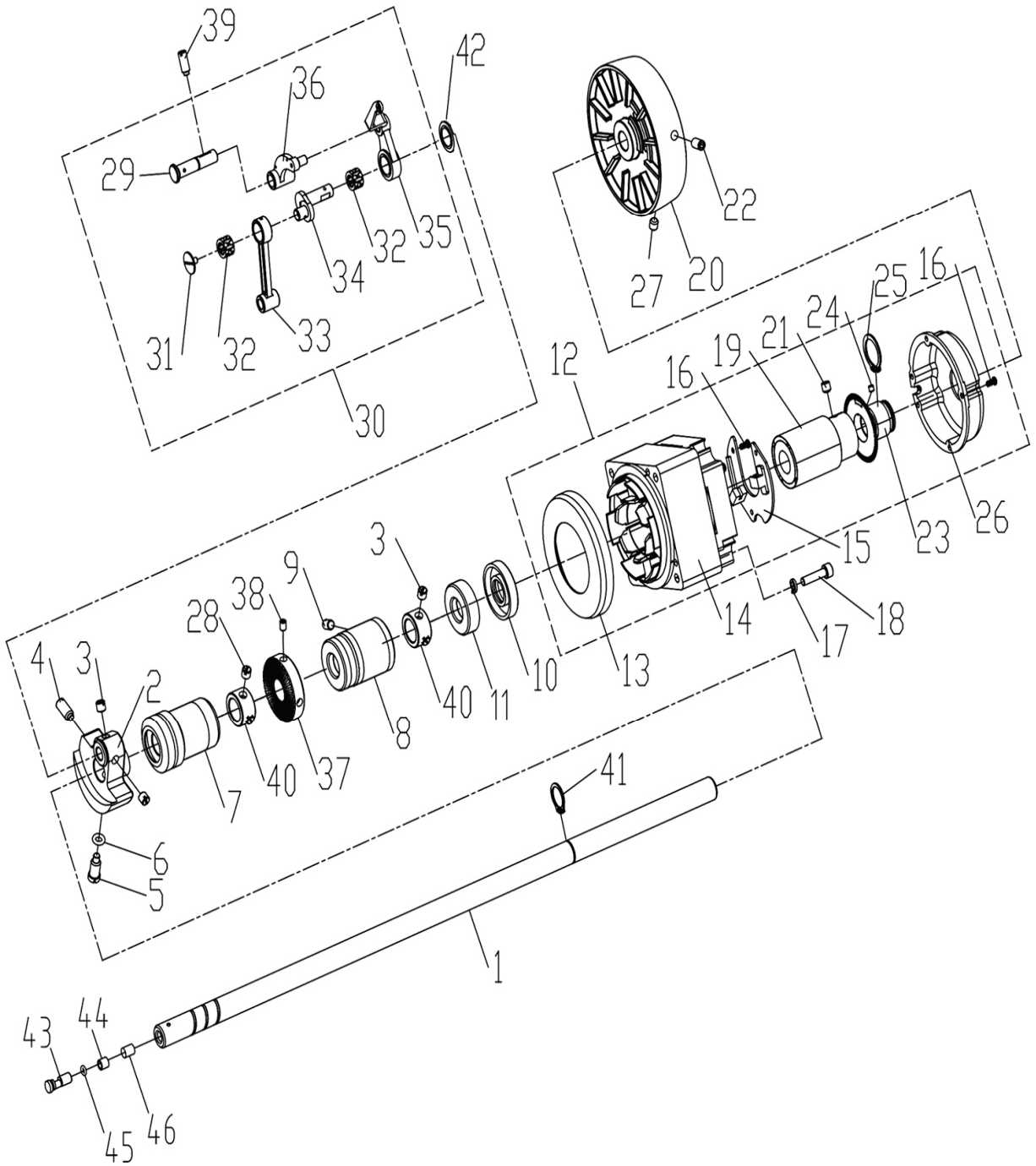
1. 机壳分组件 / Casting mechanism



1.机壳分组件 / Casting mechanism

序号 Ref. No	件号 Part No	名称	Description	数量 QTY
1	JINPFS5T0101	面板	FACE PLATE	1
2	JINPFS5T0102	面板垫	FACE PLATE GASKET	1
3	JINPF5550824	油窗	OIL WINDOW	1
4	JINPF5550825	油窗O型圈	THRUST COLLAR ASM	1
5	JINPF5550113	挑线连杆销螺孔塞	RUBBER PLUG	6
6	JINPF5550112	针杆曲柄螺孔塞	RUBBER PLUG	1
7	JINPF555016	后窗板螺钉	SCREW	8
8	JINPFS3T0108	后窗板	SIDE PLATE	1
9	JINPFS3T0109	后窗板垫	SIDE PLATE GASKET	1
10	JINPF0302113	过线板	OVER LINE BOARD	1
11	JINPF5550114	送料调节器孔塞	RUBBER PLUG	1
12	JINPF5550115	下轴盲孔塞	RUBBER PLUG	1
13	JINBZ3317	型号牌	MODEL PLATE	1
14	JINPF555013	底板支柱	BED SCREW STUD	2
15	JINPF688056D131	电线过线套(二孔)	RUBBER PLUG	1
16	JINPF99901511	电线压板(短)	CORD HOLDER(S)	2
17	JINPF5550161	电线压板固定螺钉	SCREW	2
18	JINPF99901160	电线压板(长)	CORD HOLDER(L)	1
19	JINPF90000120	底板支柱(长)	BED SCREW STUD(L)	1
20	JINPF90000121	底板支柱(中)	BED SCREW STUD(M)	1
21	JINSCJ6071	型号牌铆钉	POLE	2
22	JINPF90000131	绕线器紧固固定螺钉	SCREW	3
23	JINPF90000132	绕线切刀	THREAD CUTTER	1
24	JINPF68425K19	绕线切刀固定螺钉	SCREW	2
25	JINPF5550230	挑线杆护罩螺钉	SCREW	1
26	JINPFQ5126D	挑线杆护罩	THREAD TAKE-UP LEVER COVER	1
27	JINPF5550316	右线钩	RIGHT ARM THREAD GUIDE	1
28	JINPF5550317	右线钩螺钉	SCREW	3
29	JINPF9520MXDK021	大线钩	LARGE ARM THREAD GUIDE	1
30	JINPF0302141	针板M2.6	NEEDLE PLATE	1
31	JINPF5550637	针板螺钉	SCREW	2
32	JINPFQ50132	卷边器座	RULER PLATE	1
33	JINPF5550117	卷边器座螺钉	SCREW	1
34	JINPF5550638	推板组件	SLIDE PLATE ASM	1
35	JINPF555063801	推板	SLIDE PLATE	1
36	JINPF555063802	推板簧	SPRING OF SLIDE PLATE	1
37	JINPF555063803	推板螺钉	SCREW	2
38	JINPF5550161	面板螺钉	SCREW	3
39	JINPF8420M-D3010107	面板调节螺孔塞	RUBBER PLUG	2
40	JINBZ3299	面板装饰牌	PLATE	1
40-1	JINPFS5T014002	装饰牌安装板	DECORATION BOARD	1
41	JINPFQ514101	绕线夹线器组件	BOBBIN THREAD TENSION ASM	1
42	JINPFS5T0142	绕线器	BOBBIN WINDER ASM	1
42-1	JINPF900001511	绕线器油封	OIL SEAL OF COILING WHEEL	1
43	JINBZ3141	黄底警告标贴	SAFETY-INDICATING PLATE	1
44	JINPFS5T0144P	电控组件	PILLEY COVER ASM	1
45	JINPFS5T0145	电机罩组件固定螺钉(长)	SCREW	3
46	JINSCJ3010	电机罩组件固定螺钉垫片	WASHER	3
47	JINPFS5T0144PSF01	操作面板组件	OPERATION PANEL	1
48	JIN14060018	操作面板组件固定螺钉	SCREW	4
49	JINPFS5T0149	电机罩组件固定螺钉(短)	SCREW	1
50	JINPFS5T0144PSF02	左盖板	LEFT COVER PLATE	1
51	JINPFS5T0144PSF03	右盖板	RIGHT COVER	1
52	JINBF310164527	螺钉	SCREW	2
53	JINPF98000187	调节孔孔塞	RUBBER PLUG	1
54	JINPFQ5129	左线钩	LEFT ARM THREAD GUIDE	1
55	JINPFS5T0155	操作面板线孔塞	OPERATION PANEL LINE HOLE PLUG	1
56	JINPF9520MXDK02101	缓线勾紧固螺母	NUT	1
57	JINPF9820A50	橡皮塞	RUBBER PLUG	1

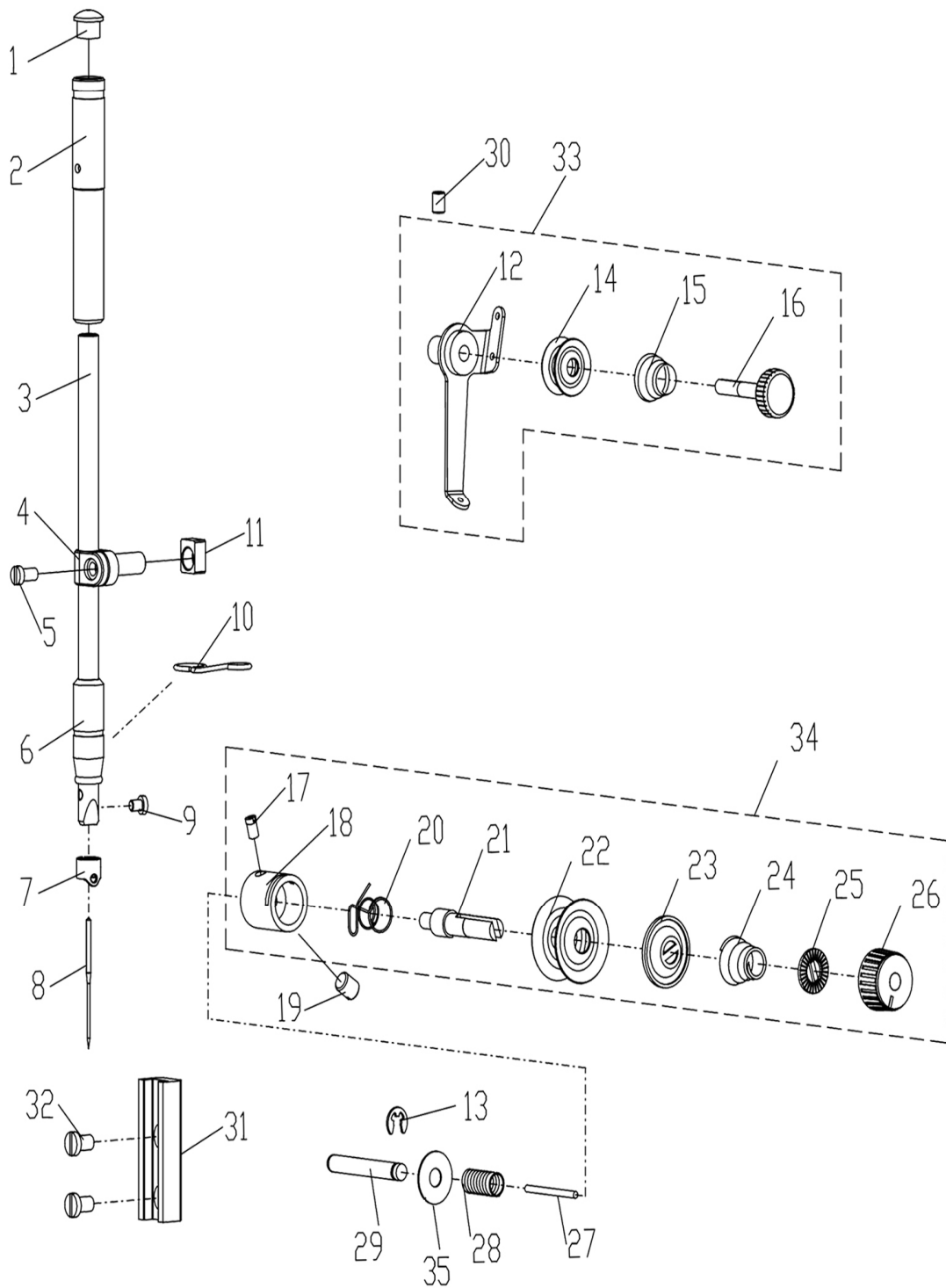
2. 上轴、挑线分组件 / Upper shaft and Thread take-up mechanism



2.上轴、挑线分组件 / Upper shaft and Thread take-up mechanism

序号 Ref. No	件号 Part No	名称	Description	数量 QTY
1	JINPFS5T0201	上轴	MAIN SHAFT	1
2	JINPFQ5D20201	针杆曲柄(H)	NEEDLE BAR CRANK(H)	1
3	JINPF5550625	挑线曲柄定位螺钉	SCREW	4
4	JINPF5550218	针杆曲柄紧固螺钉	SCREW	1
5	JINPF5550216	针杆曲柄定位螺钉	SCREW	1
6	JINPF5550217	针杆曲柄定位螺钉O型圈	RUBBER RING	1
7	JINPFQ50207	上轴前轴套	FRONT BUSHING OF MAIN SHAFT	1
8	JINPF555028	上轴中轴套	MID BUSHING OF MAIN SHAFT	1
9	JINPF555029	上轴中轴套螺钉	SCREW	1
10	JINPF90000210	上轴油封	OIL SEAL	1
11	JINPF9802DP0205	上轴后套	UPPER SHAFT REAR SLEEVE	1
12	JINPFS5T0212	电机组件	MOTOR	1
13	JINPFS5T021201	电机后罩	MOTOR REAR COVER	1
14	JINPFS5T021202	电机定子	MOTOR STATOR	1
15	JINPFS5T021203	电机传感器	MOTOR SENSOR	1
16	JINPFS5T0216	紧固螺钉	SCREW	6
17	JINSCJ3008	弹簧垫片	WASHER	4
18	JINSCJ2013	上轴电机螺钉M5*45	SCREW	4
19	JINPFS5T021204	电机转子	MOTOR ROTOR	1
20	JINPFS5T0220	上轮	HEAD WHEEL	1
21	JINPFS5T021205	转子固定螺钉	SCREW	2
22	JINPF1310B24	上轮螺钉	SCREW	1
23	JINPFS5T021206	光栅	GRATING	1
24	JINPFS5T021207	光栅固定螺钉	SCREW	1
25	JINPFS5T021208	卡簧	REED SPRING	1
26	JINPFS5T021209	电机罩壳	MOTOR HOOD	1
27	JINPF1310B24	上轮螺钉	SCREW	1
28	JINPF90008129	切线凸轮曲柄紧固螺钉	SCREW	2
29	JINPF5550225	挑线杆铰链轴	THREED TAKE-UP CRANK SHAFT	1
30	JINPF5550D0223A	挑线杆部件	THREED TAKE-UP ASM.	1
31	JINPF5550228	挑线曲柄左螺钉	SCREW	1
32	JINPF555022404	滚针轴承	BEARING	2
33	JINPF555031	针杆连杆	NEEDLE BAR CONNECTING ROD	1
34	JINPF55502201	挑线杆轴	THREED TAKE-UP SHAFT	1
35	JINPF5550D0223A01	挑线杆	THREED TAKE-UP	1
36	JINPF55502211	挑线杆连杆	THREED TAKE-UP CONNECTING ROD	1
37	JINPF03030223	绕线主动轮	WHEEL	1
38	JINPF68425H33	绕线主动轮紧固螺钉	SCREW	2
39	JINPF555022	挑线杆铰链轴紧固螺钉	SCREW	1
40	JINPF555026	上轴挡圈	RETAINING RING	2
41	JINPFSCJ1036	转子限位挡圈	RETAINING RING	1
42	JINPF90008134	垫圈	WASHER	1
43	JINPF5550213	上轴油量调节销	OIL AMOUNT ADJUSTING PIN	1
44	JINPF5550212	曲柄油量调节销	OIL ADJUSTING COLLAR	1
45	JINPF5550214	上轴油量调节销O型圈	RUBBER RING	1
46	JINPF5550211	曲柄油量限制毡	ROLLER FELT	1

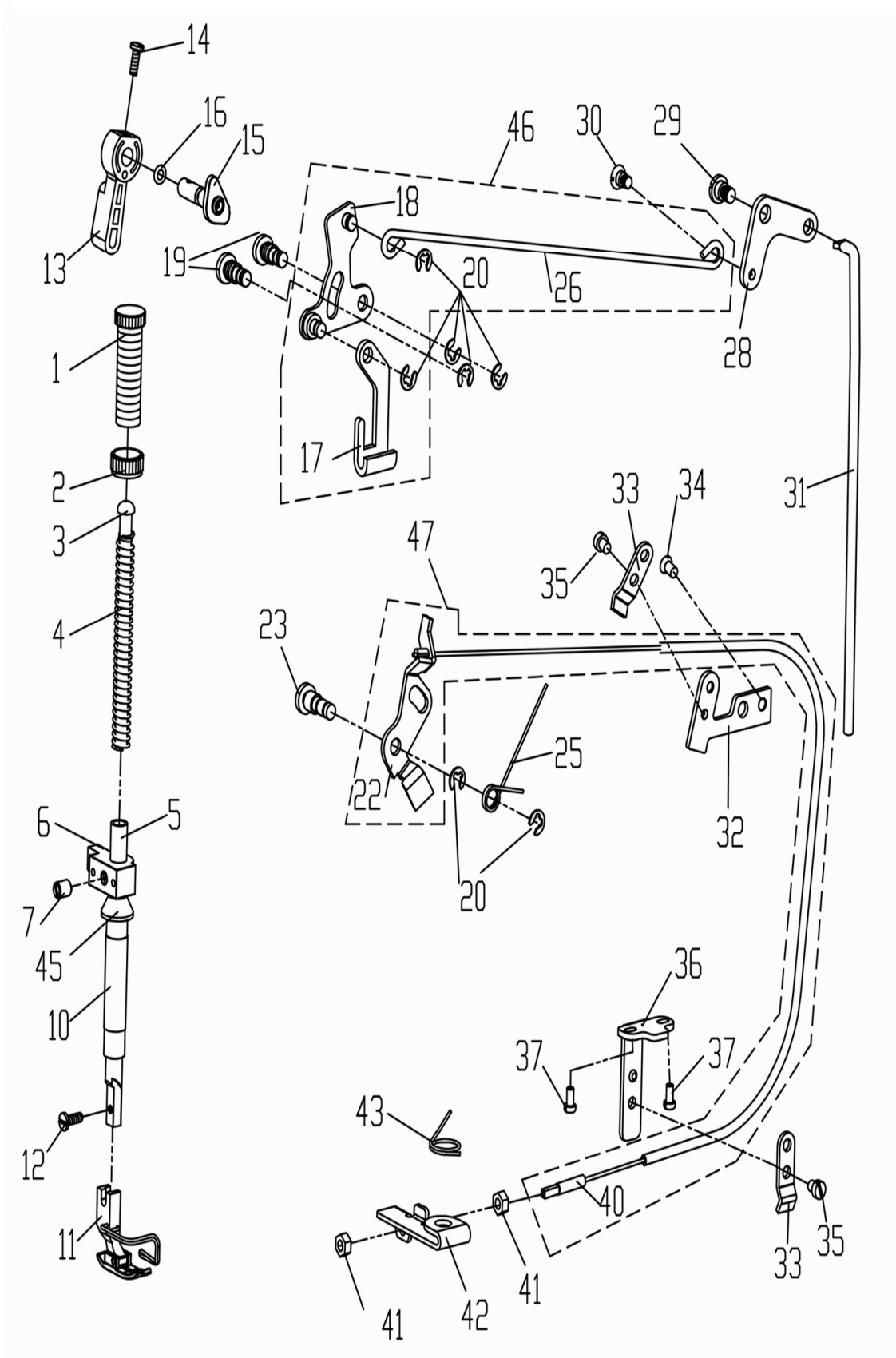
3. 针杆、夹线分组件 / Needle bar and Thread tension



3.针杆、夹线分组件 / Needle bar and Thread tension

序号 Ref. No	件号 Part No	名称	Description	数量 QTY
1	JINPF555037	针杆上轴套孔塞	RUBBER PLUG	1
2	JINPF555036	针杆上轴套	UPPER BUSHING OF NEEDLE BAR	1
3	JINPF90000303H	针杆(厚料)	NEEDLE BAR	1
4	JINPF555033	针杆连接柱	NEEDLE BAR HOLDER	1
5	JINPF55503301	针杆连接柱螺钉	SCREW 9/64-40 L=6	1
6	JINPF90000306H	针杆下套	LOWER BUSHING OF NEEDLE BAR	1
7	JINPF5550311	针杆线钩	NEEDLE BAR THREAD GUIDE	1
8	JINPFDTDP521	机针	NEEDLE (DPx5#21)	1
9	JINPF5550312	机针螺钉	SCREW 1/8-44 L=4.5	1
10	JINPF5550H39	针杆下轴套线钩	NEEDLE BAR THREAD GUIDE	1
11	JINPF90010311	针杆连接柱滑块	SLIDE BLOCK	1
12	JINPFQ53121604	上过线板	THREAD TENSION SPRING	1
13	JINSCJ1004	开口挡圈	SNAP RING	1
14	JINPFQ53121601	上夹线板	BOBBIN WINDER TENSION DISC	2
15	JINPFQ53121602	上夹线簧	THREAD TENSION SPRING	1
16	JINPFQ53121603	上夹线螺钉	SCREW	1
17	JINPFQ53172609	夹线螺钉紧固螺钉	SET SCREW 9/64-40 L=4	1
18	JINPFQ53172601	挑线簧调节座	TENSION POST SOCKET	1
19	JINPF5550330	夹线器螺钉	SCREW 15/64-28 L=7	1
20	JINPFQ5H3172602	挑线簧	TAKE-UP SPRING	1
21	JINPFQ53172603	夹线螺钉	SCREW	1
22	JINPFQ53172604	夹线板	TENSION DISC	2
23	JINPFQ53172605	松线板	TENSION DISC HOLDER	1
24	JINPFQ5H3172606	夹线簧	TENSION SPRING	1
25	JINPFQ53172607	夹线制动板	TENSION DISC STOPPER	1
26	JINPFQ53172608	夹线螺母	TENSION NUT	1
27	JINPF6150131	松线钉	THREAD RELEASE PIN	1
28	JINPF5550334	松线辅钉弹簧	TENSION RELEASE PIN SPRING	1
29	JINPF90000329	松线辅钉	TENSION RELEASE SUPPORTING PIN	1
30	JINPF68425H33	上夹线器螺钉	SCREW 11/64-40 L=6	1
31	JINPF9001033101	针杆滑块槽	NEEDLE BAR TROUGH	1
32	JINPF6150227	滑块槽螺钉	SLIDE BLOCK 11/64-40 L=8	2
33	JINPFQ531216	上夹线器	Upper thread clamp	1
34	JINPFQ5H3172601	厚料大夹线器组件	Thread clamp assembly	1
35	JINPF5550333	松线辅钉垫片	TENSION RELEASE SUPPORTING PIN WASHER	1

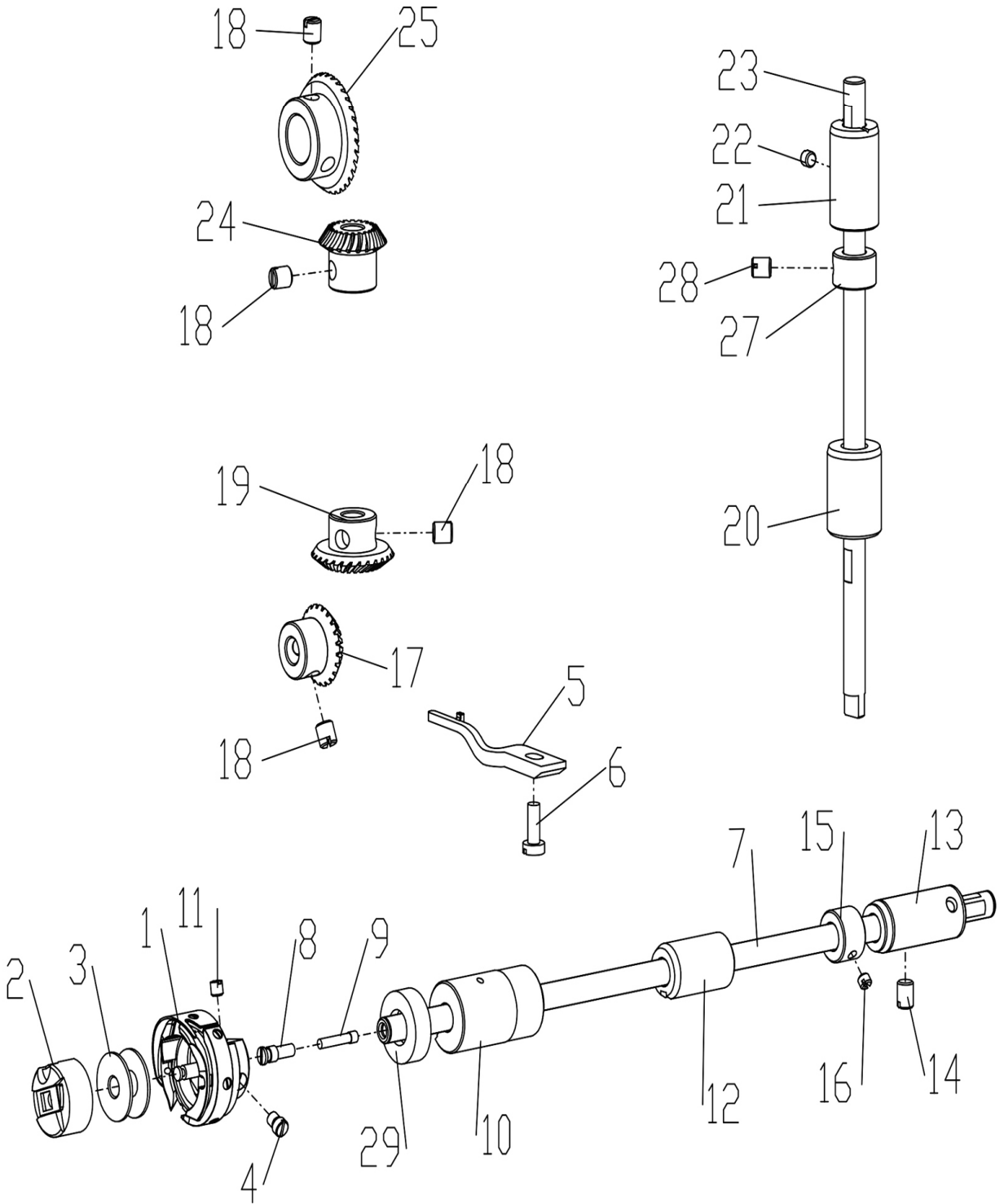
4. 压料、松线分组件 / Presser foot and Loosing thread ASM.



4.压料、松线分组件 / Presser foot and Loosing thread ASM.

序号 Ref. No	件号 Part No	名称	Description	数量 QTY
1	JINPFQ541	调压螺钉	PRESSER SPRING REGULATOR	1
2	JINPFQ542	调压螺母	NUT	1
3	JINPF555043	调压导杆	PRESSER GUIDE BAR	1
4	JINPF555044	调压簧	PRESSER SPRING	1
5	JINPF555045	压杆	PRESSER GUIDE BAR	1
6	JINPF90000406	压杆导架	NEEDLE BAR GUIDE BRACKET	1
7	JINPF555047	压杆导架螺钉	SCREW 1/4-40 L=8	1
10	JINPF5550410	压杆轴套	PRESSER BAR BUSHING LOWER	1
11	JINPF5550H411	活压脚部件	PRESSER FOOT ASM.	1
12	JINPF5550412	活压脚螺钉	SCREW 9/64-40 L=10.5	1
13	JINPFQ541301	压脚扳手	HAND LOFTER	1
14	JINPF5550412	压脚扳手螺钉	SCREW 9/64-40 L=10.5	1
15	JINPF90000415	压脚扳手凸轮部件	HAND LOFTER CAM ASM.	1
16	JINPF5550416	压脚扳手轴 O 型圈	RUBBER RING	1
17	JINPF90000417	压脚升降板	LIFTING LEVER	1
18	JINPF9000041801	抬压脚前杠杆部件	HAND LIFTER LINK ASM.	1
19	JINPF5550419	前杠杆螺纹销	THREAD PIN	2
20	JINSCJ1008	螺纹销开口挡圈	SNAP RING	7
22	JINPF5550422	松线顶板	TENSION RELEASE PLATE	1
23	JINPF5550423	松线顶板螺纹销	THREAD PIN	1
25	JINPF5550425	松线顶板复位簧	TENSION RELEASE RETURN SPRING	1
26	JINPF5550426	抬压脚拉杆	LIFTING LEVER CONNECTING ROD	1
28	JINPF5550428	抬压脚后杠杆	LIFTING LEVER LINK	1
29	JINPF5550429	后杠杆轴位螺钉	HINGE SCREW 15/64-28	1
30	JINPF5550430	抬压脚拉杆螺钉	HINGE SCREW 3/16-32	1
31	JINPF5550431	抬压脚顶杆	CONNECTING ROD VERRICAL	1
32	JINPF90000432	软管支承板	WIRE HOLDER BRACKET (UPPER)	1
33	JINPF90000438	软管压板	WIRE HOLDER BRACKET (UPPER)	2
34	JINPF5550637	软管支承板螺钉	SCREW 11/64-40 L=8.5	1
35	JINPF5550725	软管压板螺钉	SCREW 11/64-40 L=5	2
36	JINPF90000436	松线钢丝绳座	LOOSING LINE PLATE	1
37	JINPF68425E28	松线钢丝绳座螺钉	SCREW 9/64-40 L=7	2
40	JINPF9000044002	松线钢丝	LOOSING LINE	1
41	JINPF9000044001	松线钢丝调节螺母	NUT 11/64-40	2
42	JINPF90000442	松线座	LOOSING LINE ASM.	1
43	JINPF90000443	松线复位弹簧	SPRING	1
45	JINPF5550432	压杆油封	PRESSER BAR OIL SEAL	1
46	JINPF90000418	抬压脚前杠杆部件	HAND LIFTER LINK ASM.	1
47	JINPF90000440	松线钢丝组件	LOOSING LINE ASM.	1

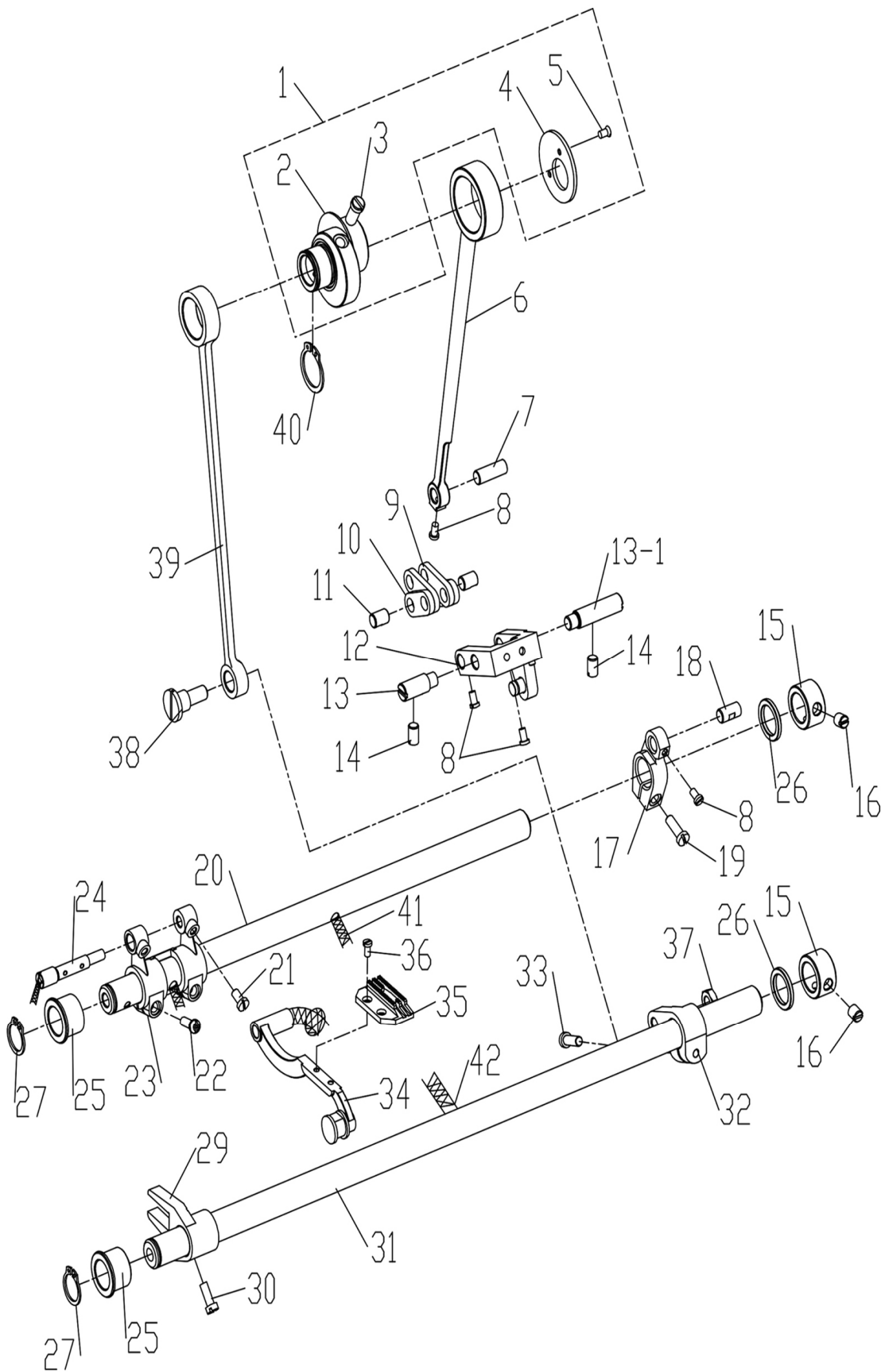
5. 勾线分组件 / Hook mechanism



5. 勾线分组件 / Hook mechanism

序号 Ref. No	件号 Part No	名称	Description	数量 QTY
1	JINPC032501	旋梭	HOOK ASM.	1
2	JINPF03030610	梭子	BOBBIN CASE ASM.	1
3	JINPF0302319	梭心	BOBBIN	1
4	JINPC03250101	旋梭紧固螺钉	SCREW	2
5	JINPF5550H55	旋梭定位钩	POSITIONING FINGER	1
6	JINBF700S039	旋梭定位钩螺钉	SCREW 11/64-40 L=9.5	1
7	JINPFQ50507	下轴	HOOK DRIVING SHAFT	1
8	JINPF555058	下轴限油螺钉	OIL SEAL SCREW ASM.	1
9	JINPF55505901	下轴限油芯	OIL WICK	1
10	JINPF90000510	下轴前轴套	FRONT BUSHING	1
11	JINPC03250102	旋梭紧定螺钉	SCREW	1
12	JINPF90000512	下轴中轴套	MID BUSHING	1
13	JINPF90000513	下轴后轴套	REAR BUSHING	1
14	JINPF555029	下轴后轴套螺钉	SCREW 3/16-28 L=15	1
15	JINPF6150404	下轴挡圈	SNAP RING	1
16	JINPF55506261	下轴挡圈螺钉	SCREW 15/64-28 L=4	2
17	JINPF555051805	下轴伞齿轮 (小)	BEVEL GEAR (SMALL)	1
18	JINPF55505180501	伞齿轮螺钉	SCREW 1/4-40 L=8	8
19	JINPF555052005	竖轴下伞齿轮 (大)	BEVEL GEAR (LARGE)	1
20	JINPF90000520	竖轴下轴套	LOWER BUSHING	1
21	JINPF90000521	竖轴上轴套	UPPER BUSHING	1
22	JINPF9800TD410	竖轴上轴套螺钉	SCREW 11/64-28 L=9	1
23	JINPF5550524	竖轴	UPRING SHAFT	1
24	JINPF555052505	竖轴上伞齿轮 (小)	BEVEL GEAR (SMALL)	1
25	JINPF555052605	上轴伞齿轮 (大)	BEVEL GEAR (LARGE)	1
27	JINPF6150404	竖轴上轴套挡圈	SNAP RING	1
28	JINPF5550330	竖轴上轴套挡圈螺钉	SCREW 15/64-28 L=7	2
29	JINPF9990709	下轴防油圈	OIL SEAL RING	1

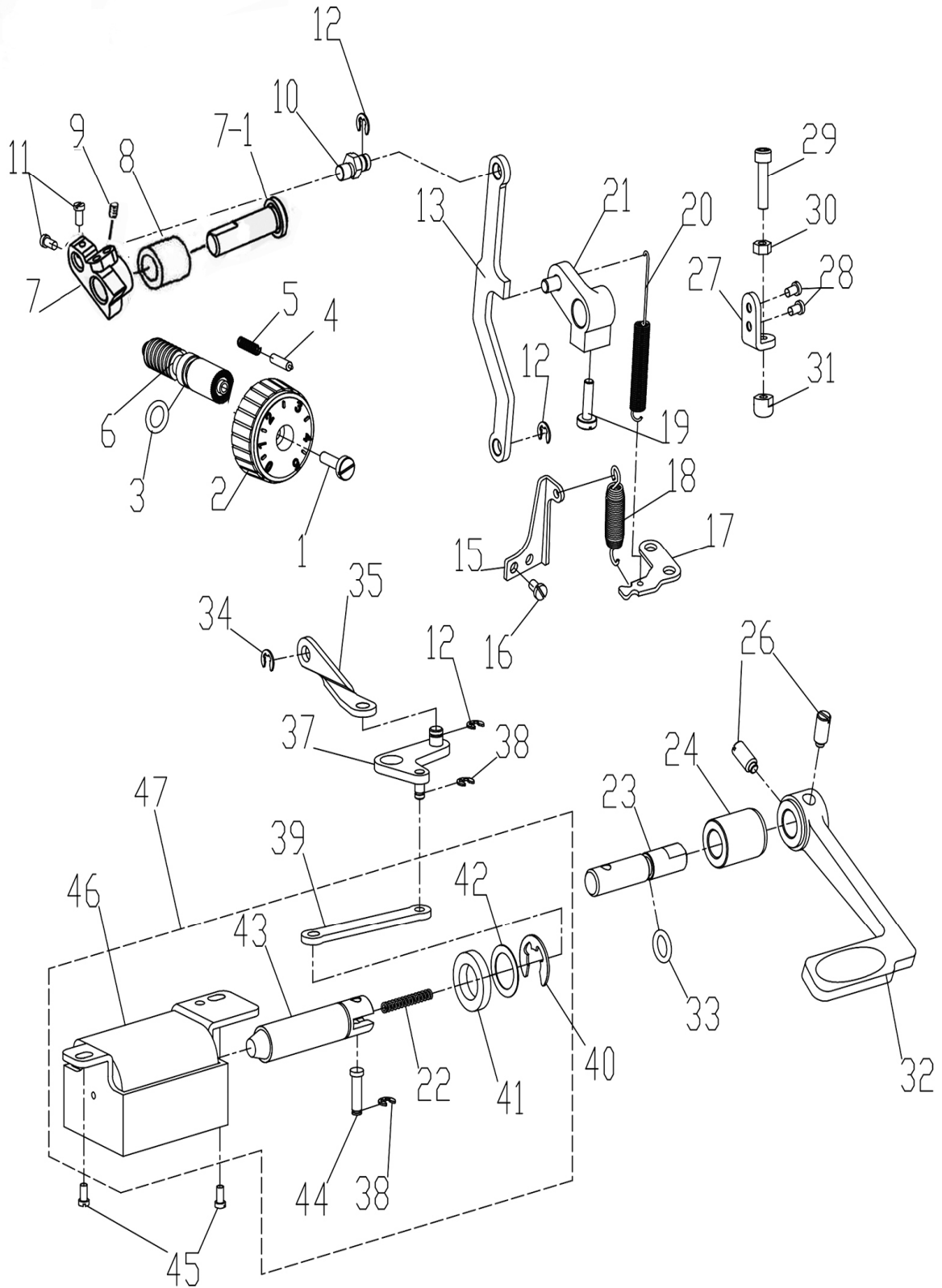
6. 送料分组件 / Feed mechanism



6.送料分组件 / Feed mechanism

序号 Ref. No	件号 Part No	名称	Description	数量 QTY
1	JIN98000602L	电脑车偏心轮组件(H)	FEED DRIVE ECCENTRIC CAM SAM(H)	1
2	JINPF555062	送料偏心轮	FEED DRIVE ECCENTRIC CAM	1
3	JINPF555063	送料偏心轮螺钉	SCREW 1/4-40 L=11	2
4	JINPF555064	送料偏心轮盖板	THRUST COLLAR	1
5	JINPF555065	偏心轮盖板螺钉	SCREW 9/64-40 L=5	2
6	JINPF555066	送料连杆	ROCKER SHAFT CONNECTING ROD	1
7	JINPF555067	送料连杆销	WALKING FOOT PIN	1
8	JINPF555068	连接销螺钉	SCREW 9/64-40 L=6	4
9	JINPF555069	送料长摆动板	LONG WALKING FOOT LINK	2
10	JINPF5550610	送料短摆动板	SHORT WALKING FOOT LINK	2
11	JINPF5550611	长摆动板连接销	WALKING FOOT PIN	2
12	JINPF888056D613	送料摆动板座部件	WALKING FOOT ADJUST LINK	1
13	JINPF5550614	送料摆动板座左销	ADJUSTING LINK FULCRUM SHAFT	1
13-1	JINPF555061601	送料摆动板座右销(φ10)	ADJUSTING LINK FULCRUM SHAFT	1
14	JINPF6150326	左右销螺钉	SCREW 15/64-28 L=7	2
15	JINPF5550653	拍牙送布紧圈	RETAINING RING	2
16	JINPF6150304	送布轴紧固螺钉	SCREW	4
17	JINPF5550618	送料曲柄	FEED ROCKER SHAFT CRANK ASM.	1
18	JINPF5550619	送料曲柄销	WALKING FOOD PIN	1
19	JINPF5550621	送料曲柄螺钉	SCREW 9/64-28 L=14	1
20	JINPF90000620	送布轴	FEED ROCKER SHAFT	1
21	JINPF90000621	牙架曲柄轴螺钉	SCREW	2
22	JINPF5550633	牙架曲柄固定螺钉	SCREW	2
23	JINPF90000623	牙架曲柄	FEED CRACKET	1
24	JINPF90000624	牙架销	FEED BAR SHAFT	1
25	JINPF90000625	送料轴前轴套	FEED ROCKER SHAFT BUSHING	2
26	JINPF6150529	拍牙送布轴轴套垫圈	WASHER	2
27	JINSCJ1036	拍牙送布轴轴用挡圈	RETAINING RING	2
29	JINPF5550H642	拍牙叉型曲柄	DRIVING SHAFT CRANK ASM.	1
30	JINPF6150607	拍牙叉型曲柄螺钉	SCREW 11/64-40 L=10.5	1
31	JINPF90000631	拍牙轴	FEED DRIVING SHAFT	1
32	JINPF90000632	拍牙后曲柄	REAR CRACK ASM.	1
33	JINPF5550648	拍牙后曲柄螺钉	SCREW 3/16-28 L=12	1
34	JINPF90000634D	牙架组件	FEED ROCKER BASE ASM.	1
35	JINPF030341	送布牙-13齿	FEED DOG	1
36	JINPF5550635	送料牙螺钉	SCREW 1/8-44 L=6	2
37	JINPF5550651	拍牙连杆轴位螺母	NUT	1
38	JINPF5550650	拍牙连杆轴位螺钉	SCREW	1
39	JINPF5550649	拍牙连杆	CONNECTING ROD	1
40	JINPF5550652	拍牙连杆轴用挡圈	SNAP RING	1
41	JINPF5550627	送料轴油线	OIL WICK	1
42	JINPF5550627	拍牙轴油线	OIL WICK	1

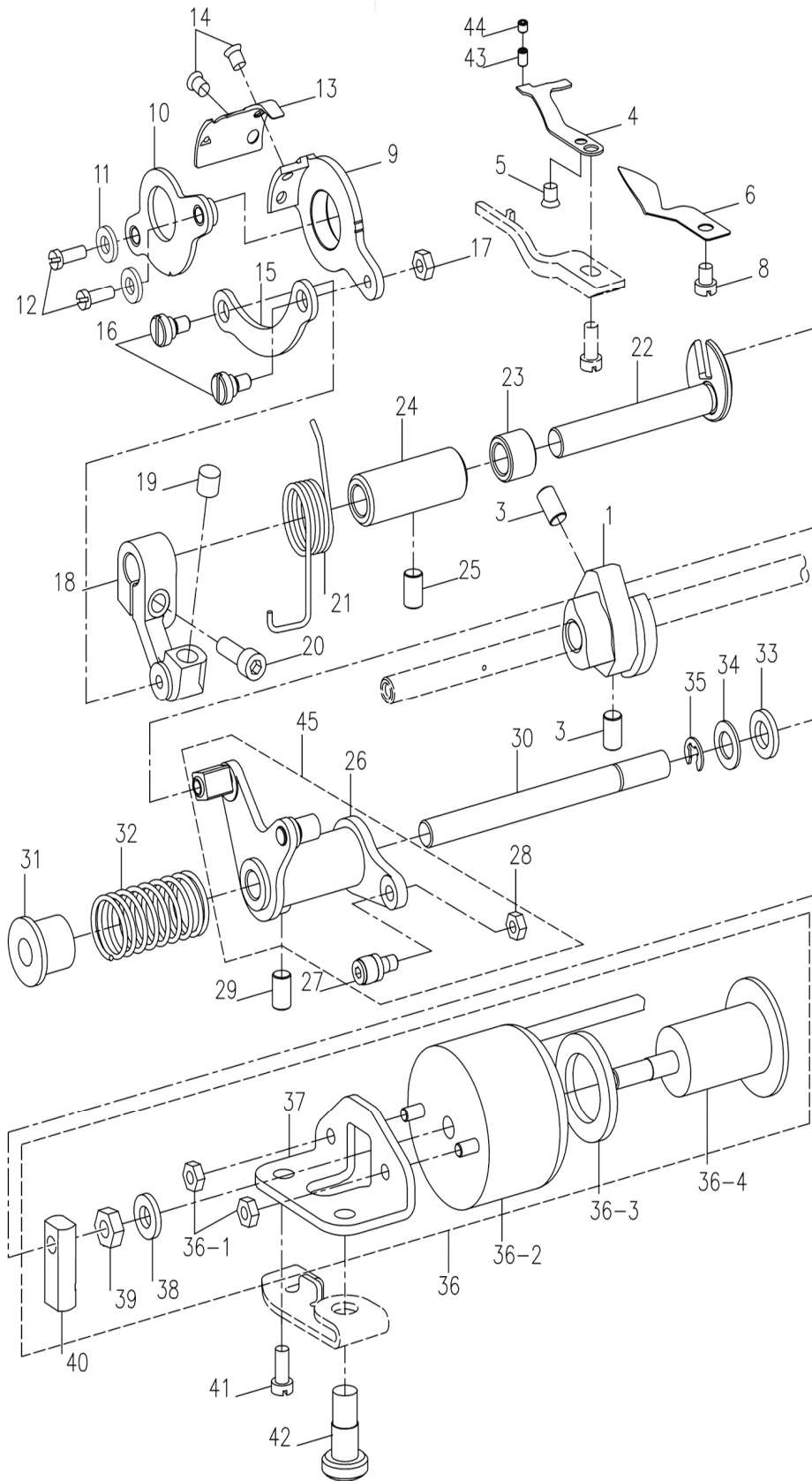
7. 送料、调节分组件 / Feed adjustment



7.送料、调节分组件 / Feed adjustment

序号 Ref. No	件号 Part No	名称	Description	数量 QTY
1	JINPFQ571	送料距旋扭螺钉	SCREW	1
2	JINPF90000702H	送料距旋扭	FEED DIAL	1
3	JINPF555074	送料调节螺柱O型圈	RUBBER RING	1
4	JINPF555075	送料距锁合销	PIN	1
5	JINPF555076	送料距锁合簧	SPRING	1
6	JINPFS5T0706	送料调节螺柱	FEED REGULATOR SCREW	1
7	JINPF9000H0707	送料调节器	FEED REGULATOR	1
7-1	JINPF9000070702	送料调节器销	PIN	1
8	JINPF90000708	送料调节器轴套	FEED REGULATOR BUSHING	1
9	JINSCJ2031	螺钉	SCREW	2
10	JINPF90000710	倒送料连杆销	FEED REGULATOR PIN	1
11	JINPF68425B27	连杆销螺钉	SCREW	2
12	JINSCJ1007	倒送料连杆挡圈	SNAP RING	3
13	JINPFQ5ML713	倒送料连杆	FEED REGULATOR CONNECTING ROD	1
15	JINPF5550724	摆动板座复位板	ADJUSTING LINK SPRING GUIDE	1
16	JINPF5550633	复位板螺钉	SCREW 11/64-40 L=7	2
17	JINPF98000717	拉簧固定板	FEED REVERSE HOOK	1
18	JINPF90010718	摆动板座复位簧	ADJUSTING LINK SPRING	1
19	JINPF5550721	倒送料曲柄螺钉	FEED REVERSE ARM SCREW	1
20	JINPF5550722	倒送料拉簧	FEED REVERSE SPRING	1
21	JINPF90000721L	倒送料曲柄部件	FEED REVERSE ARM ASM.	1
22	JINPFS5T074601	铁芯弹簧	PLUNGER SPRING	1
23	JINPF90000723	倒送料轴	FEED REVERSE SHAFT	1
24	JINPF5550716	倒送料轴轴套	FEED LEVER METAL	1
26	JINPF5550330	倒送料扳手固定螺钉	SCREW	2
27	JINPF90000727	限位螺钉座	RULER RETAINING PLATE	1
28	JINPF5550633	限位螺钉座螺钉	SCREW	2
29	JINSCJ2017	扳手限位螺钉	SCREW	1
30	JINPF90000730	扳手限位螺母	NUT	1
31	JINPF90000731	限位螺钉减震垫	WASHER	1
32	JINPFQ5732	倒送料扳手	REVERSE FEED CONTROL LEVER	1
33	JINPF5550715	倒送料轴O型圈	RUBBER RING	1
34	JINSCJ1006	拉杆挡圈	SNAP RING	1
35	JINPF888056D740H	自动倒送料拉杆	AUTOMATIC FEEDING ROD	1
37	JINPF888056D737	自动倒送料曲柄部件	CONNECTING ARM ASM.	1
38	JINSCJ1004	曲柄短销挡圈	SNAP RING	2
39	JINPFS5T074602	铁芯连杆	IRON CORE ROD	1
40	JINPFS5T074603	铁芯挡圈	SNAP RING	1
41	JINPFS5T074604	铁芯橡胶垫	RUBBER WASHER	1
42	JINPFS5T074605	铁芯挡圈	SNAP RING	1
43	JINPFS5T074606	铁芯	IRON CORE	1
44	JINPFS5T074607	铁芯连接销	PLUNGER ARM PIN	1
45	JINPF888056D730	安装螺钉	SCREW	2
46	JINPFS5T074608	倒送料电磁铁线圈组件	REVERSE FEED MAGNET ASM	1
47	JINPFS5T0746	倒送料电磁铁组件	REVERSE FEED MAGNET ASM	1

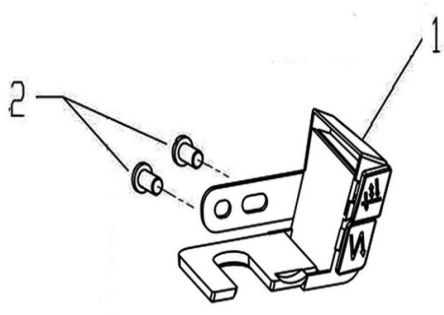
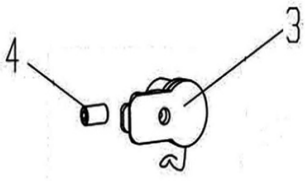
8. 剪线分组件 / Thread trimming mechanism



8,剪线分组件 / Thread trimming mechanism

序号 Ref. No	件号 Part No	名称	Description	数量 QTY
1	JINPF90008101	剪线凸轮	THREAD TRIMMER CAM	1
3	JINPF90008103	剪线凸轮螺钉	SCREW 1/4-40 L=10	2
4	JINPF03030828	定刀	CONNTER KNIFE	1
5	JINPF68425H26	定刀固定螺钉	SCREW	1
6	JINPF90008106D	分线器	DISPART THREAD SHUTTLE	1
8	JINPF6150211	分线器固定螺钉	SCREW	1
9	JINPF90008109D	动刀架	ROUND KNIFE BRACKET	1
10	JINPF90008110	刀架压板组件	KNIFE HOLDER ASM	1
11	JINPF5550630	刀架压板垫圈	WASHER	2
12	JINPF90008112	刀架压板螺钉	SCREW	2
13	JINPF03030838	动刀	ROUND KNIFE	1
14	JINPF90008114	动刀固定螺钉	SCREW	2
15	JINPF90008115D	刀轴连杆	KNIFE SHAFT CRANK ROD	1
16	JINPF90008116	刀轴连杆螺钉	SCREW	2
17	JINPF90008117	刀轴连杆螺母	NUT	1
18	JINPF90008118	切线驱动曲柄	TRIMMING CRANK	1
19	JINPF9000811801	切线驱动曲柄止动块	BLOCK	1
20	JINPF9000812001	切线驱动曲柄螺钉	SCREW	1
21	JINPF90008121	复位弹簧	REPLACE SPRING	1
22	JINPF90008122	切线驱动曲柄轴	TRIMMING CRANK SHAFT	1
23	JINPF90008123	驱动曲柄轴短套	SHORT BUSHING	1
24	JINPF90008124D	切线轴套	BUSHING	1
25	JINPF55506461	切线轴套紧固螺钉	SCREW	1
26	JINPF9000812603	切线凸轮曲柄	TRIMMING CAM CRANK	1
27	JINPF9000812601	滚柱轴分组件	ROLLER BEARING SHAFT ASM.	1
28	JINPF9000812602	螺母	NUT 11/64-40	1
29	JINPF90008129	切线凸轮曲柄紧固螺钉	SCREW 1/4-40 L=6	1
30	JINPF90008130B	切刀驱动轴	TRIMMING SHAFT	1
31	JINPF90008131	扭簧端盖	SPRING COVER	1
32	JINPF90008132	剪线电磁铁复位弹簧	SPRING	1
33	JINPF90008133	切线磁铁垫圈	WASHER	1
34	JINPF90008134	切线驱动轴垫圈	CLIP	1
35	JINSCJ1009	切线驱动轴卡圈	WASHER	1
36	JINPFS5T0836	剪线电磁铁组件	THREAD TRIMMER SOLENOID ASM.	1
36-1	JINPF980280401	螺母 (M4)	NUT (M4)	2
36-2	JINPF980280406	电磁铁线圈组件	ELECTROMAGNET COIL ASSEMBLY	1
36-3	JINPF980280407	垫圈	WASHER	1
36-4	JINPF980280408	铁芯	IRON CORE	1
37	JINPF980280402	剪线电磁铁安装座	SOLENOID BASE	1
38	JINPF980280403	电磁铁缓冲垫	SOLENOID CONNECTING SHAFT	1
39	JINPF980280404	垫圈	WASHER	1
40	JINPF980280405	切线电磁铁连接体	SOLENOID CONNECTING SHAFT	1
41	JINPF90008141	剪线电磁铁架固定螺钉	SCREW 1/4-28	1
42	JINPF90008142	松线座螺钉	SCREW 1/4-28	1
43	JINPF900081412	定刀顶紧螺钉	SCREW 1/8-44X6	1
44	JINBF7005292	定刀顶紧螺钉	SCREW 1/8-44X3	1
45	JINPF90008126	切线凸轮曲柄组件	TRIMMING CAM CRANK ASM.	1

9. 电子夹线组件 / Needle thread clamping device



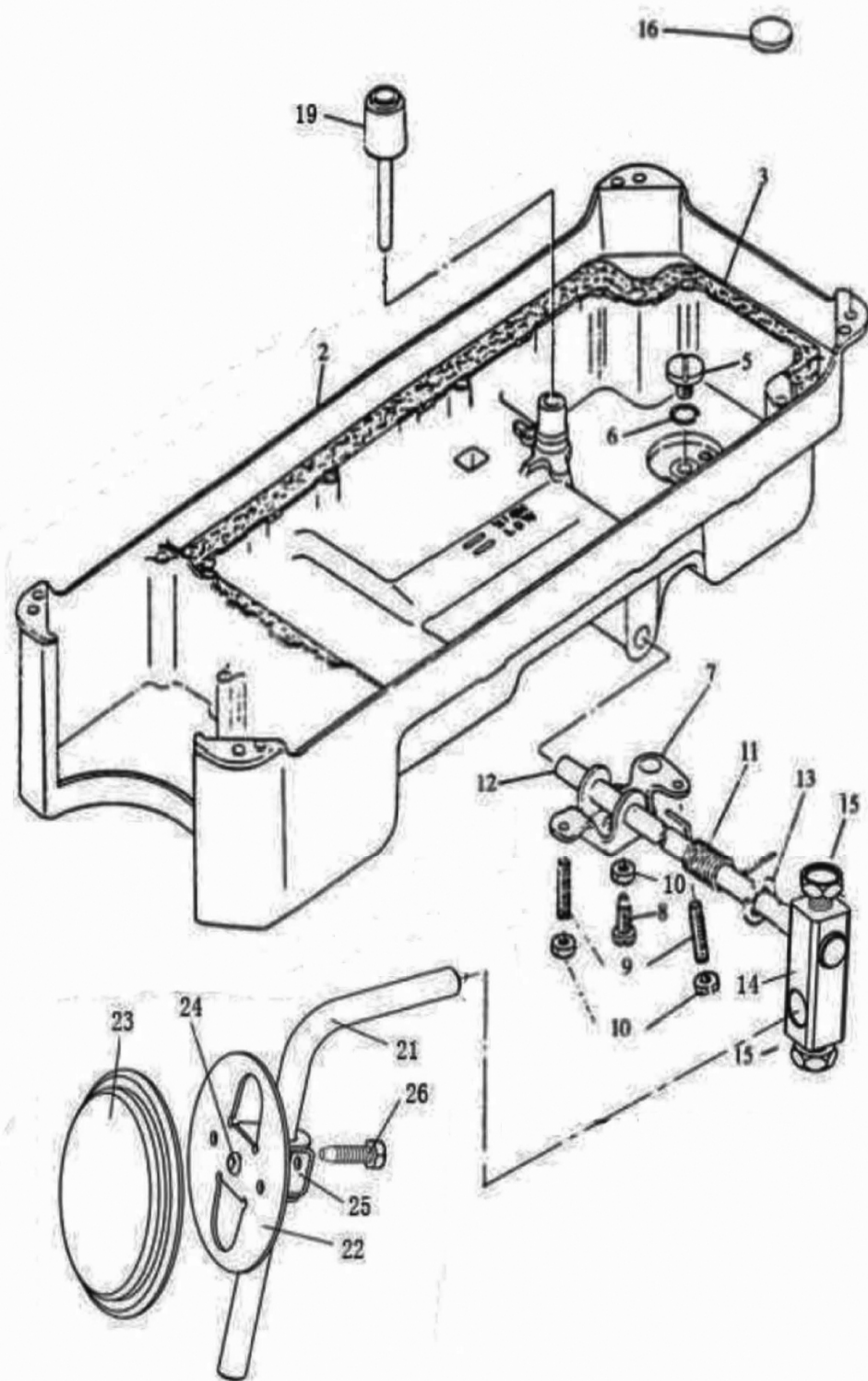
9. 电子夹线组件 / Needle thread clamping device

序号 Ref. No	件号 Part No	名称	Description	数量 QTY
1	JINPFS5T090202	照明灯	REVEVSE SEWING SWITCH	1
2	JINPF555016	照明灯固定螺钉	SCREW	2
3	JINPFS5T0905	电子夹线器	ELECTRIC CLAMP	1
4	JINPF9800TD409	电子夹线器固定螺钉	SCREW	1

10. 润滑分组件 / Lubrication mechanism

序号 Ref. No	件号 Part No	名称	Description	数量 QTY
1	JINPF555081	油泵部件	LUBRICATING OIL PUMP ASM.	1
2	JINPF55508101	油泵安装板	OIL PUMP INSTALLING BASE	1
3	JINPF55508102	油泵安装螺钉	SCREW 15/64-28 L=9	3
5	JINPF55508103	油泵体	OIL PUMP	1
6	JINPF55508104	油泵体衬套	OIL PUMP BUSHING	1
7	JINPF55508105	油泵叶轮	OIL PUMP IMPELLER	1
8	JINPF55508106	油泵叶轮托板	OIL PUMP IMPELLER COVER	1
9	JINPF55508107	油泵盖分部件	LUBRICATING OIL PUMP COVER	1
10	JINPF55508108	油泵盖螺钉	SCREW	3
11	JINPF55508109	下轴供油管	HOOK DRIVING SHAFT OIL TUBE	1
12	JINPF55508110	回油柱塞	PLUNGER	1
13	JINPF55508111	柱塞簧	PLUNGER SPRING	1
14	JINPF55508112	柱塞螺钉	SCREW	1
15	JINPF2284014802	油泵螺钉	SCREW	1
16	JINPF90011038	海绵	SPONGE	1
17	JINPF888056D1017	油泵连接螺柱	OIL PUMP SUPPORT	1
18	JINPF555056	螺柱连接螺钉	SCREW 11/64-40 L=9.5	1
20	JINPF5550817	供油管接头（三通）	RUBBER JOINT	1
21	JINPF90001021	上轴供油管	MAIN SHAFT OIL TUBE	1
22	JINPF90001022	旋梭供油管（旋刀机构用）	OIL TUBE	1
23	JINPF90001023	油量调节螺钉	OIL ADJUSTING SCREW	1
24	JINPF90001024	油量调节簧	SPRING	1
25	JINSCJ5030	回油管	OIL RETURN GUARD	1
26	JINPF5550827	回油管夹	OIL RETURN TUBE HOLDER	1
27	JINPF5550230	回油管夹螺钉	SCREW 1/8-28 L=6	1
28	JINPF5550830	回油毡	OIL FELT	1
30	JINPF5550831	回油毡夹	OIL FELT PRESSER	1
31	JINPF5550830YGZJ	回油管组件	OIL RETURN GUARD ASM.	1
32	JINPF5550832	面部油线板	OIL WICK SUPPORT	1
33	JINPF5550833	面部油线	OIL WICK	1
34	JINPF5550834	面部油线板螺钉	SCREW	1
35	JINPF888056D442	软管下支承板	WIRE HOLDER BARCKET (LOWER)	1
36	JINPF888056D437	软管下支承板压板	WIRE HOLDER	1
37	JINPF5550725	软管下支承板压板螺钉	SCREW 11/64-40 L=5	1

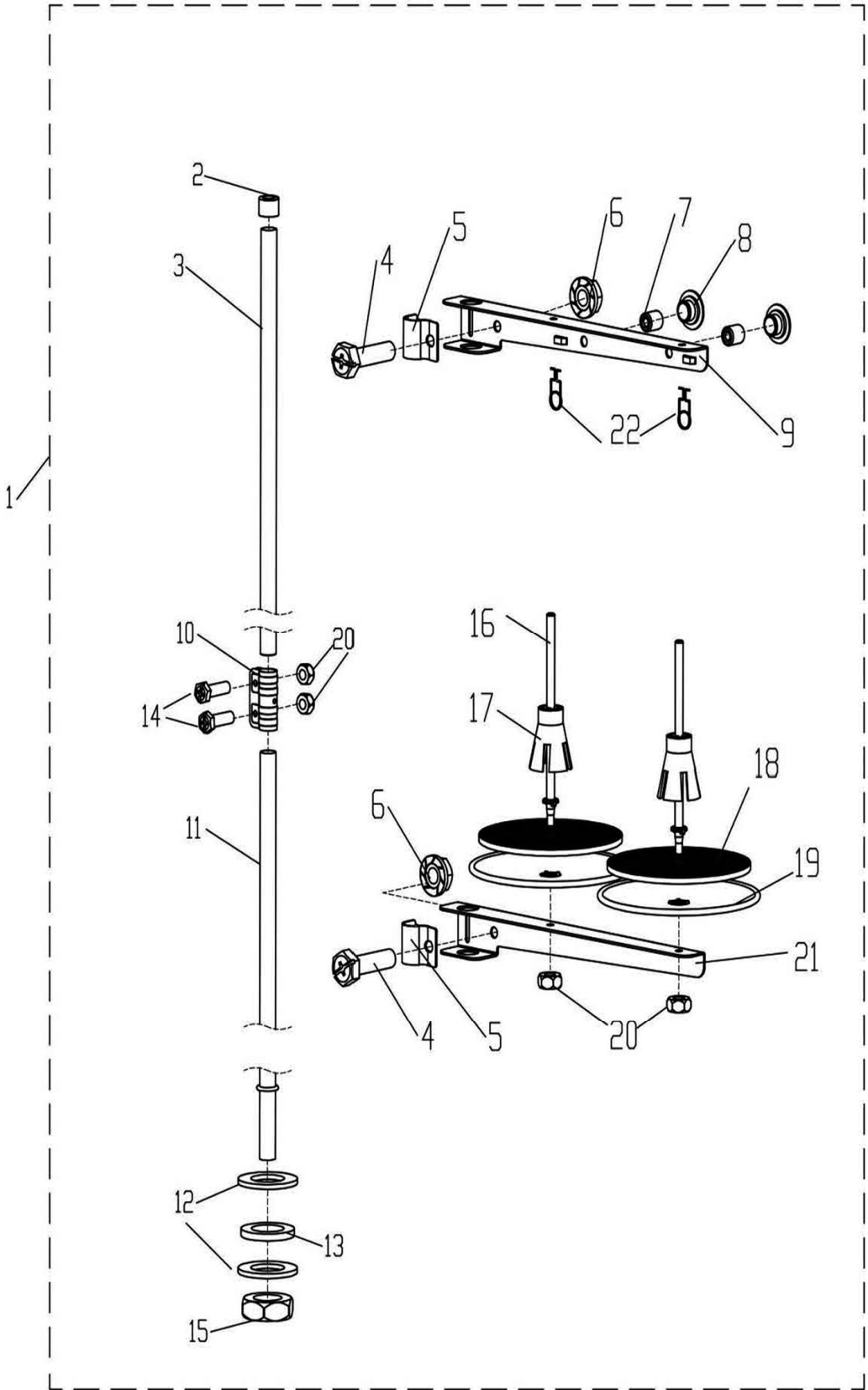
11. 油盘膝提抬压脚分组件 / Oil pan and knee lift



11.油盘膝提抬压脚分组件 / Oil pan and knee lift

序号 Ref. No	件号 Part No	名称	Description	数量 QTY
2	JINPF555092	油盘	OIL PLATE	1
3	JINPF555093	油盘垫	OIL PLATE BED	1
5	JINPF555095	排油孔螺钉	OIL EXPRACTION HOLE SCREW	1
6	JINPF555096	排油孔螺钉O型圈	RUBBER RING	1
7	JINPF5550912	抬压脚双向曲柄	TWO-WAY CRANK	1
8	JINPF5550913	双向曲柄螺钉	SCREW	1
9	JINPF5550914	双向曲柄限位调节螺钉	BANKING SCREW OF TWO-WAY CRANK	2
10	JINPF5550915	双向曲柄限位调节螺母	BANKING NUT OF TWO-WAY CRANK	3
11	JINPF5550916	双向曲柄扭簧	TWISTING SPRING	1
12	JINPF5550917	抬压脚轴	LIFTING PRESSOR FOOT SHAFT	1
13	JINSCJ1014	抬压脚轴开口挡圈	OPEN SHIELD RING	1
14	JINPF5550919	抬压脚轴操纵杆接头	OPERATING BAR HEAD	1
15	JINPF5550930	操纵杆接头螺钉	OPERATING BAR HEAD SCREW	2
16	JINSCJ6012	油盘磁铁	OIL PLATE MAGNET	1
19	JINPF5550911	抬压脚顶销	TOP PIN	1
21	JINPF5550922	操纵杆	OPERATING BAR	1
22	JINPF5550923	操纵板	OPERATING PLATE	1
23	JINPF5550924	操纵板软垫	SOFT CUSHION OF OPERATING BAR	1
24	JINPF5550925	操纵板垫	OPERATING BAR BED	1
25	JINPF5550926	操纵杆接头	OPERATING BAR TIP	1
26	JINPF5550927	接头螺钉	TIP SCREW	1

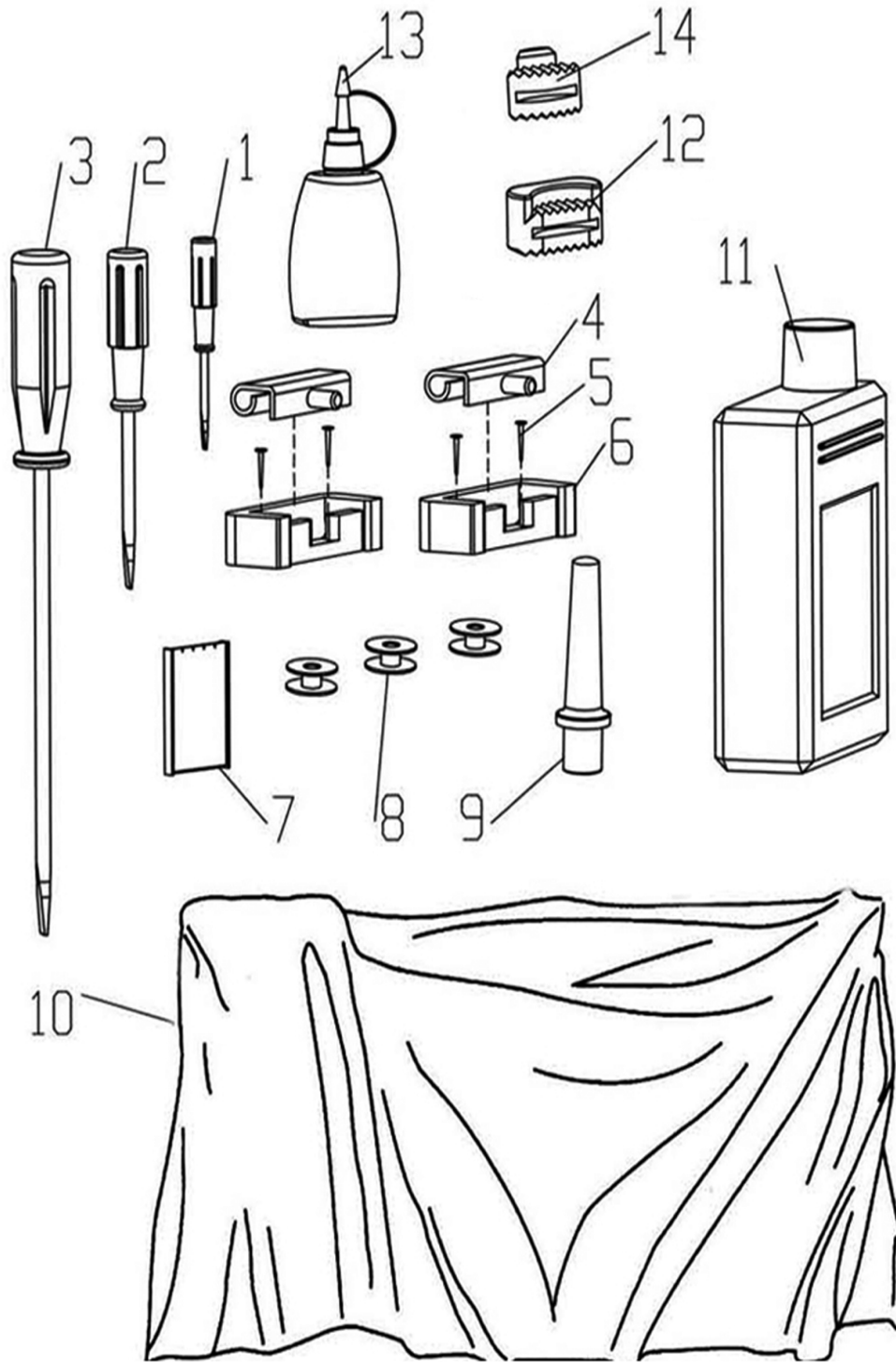
12. 过线架分组件 / Thread stand ASM.



12.过线架分组件 / Thread stand ASM.

序号 Ref. No	件号 Part No	名称	Description	数量 QTY
1	JINPF5550112701	过线架组件	THREAD STAND AMS.	1
2	JINPF555011270101	撑管套	COLUMN CAP	1
3	JINPF5550112702	线架上撑管	COLUMN PIPE (UPPER)	1
4	JINPF5550112703	线架螺钉	SCREW	2
5	JINPF5550112704	线臂抱攀	THREAD GUIDE ARM JOINT	2
6	JINPF5550112705	法兰花齿螺母	NUT	2
7	JINPF5550112706	过线管	THREAD GUIDE PIPE	2
8	JINPF5550112707	过线管套	THREAD GUIDE BUSHING	2
9	JINPF5550112708	上过线架	THREAD HANGER (2 SPOOLS TUPE)	1
10	JINPF5550112709	撑管夹	COLUMN PIPE CONNECTOR	1
11	JINPF5550112710	线架下撑管	COLUMN PIPE (LOWER)	1
12	JINPF5550112711	垫圈	WASHER	2
13	JINPF5550112712	橡胶垫圈	WASHER	1
14	JINPF5550112713	撑管夹螺钉	SCREW	2
15	JINPF5550112714	下过线架螺母	NUT	1
16	JINPF5550112715	线轴	SPOOL PIN	2
17	JINPF5550112716	线盘塑料压块	SPOOL CUSHION	2
18	JINPF5550112717	线盘软垫	SOFT CUSHION OF THREAD PLARE	2
19	JINPF5550112718	线盘	THREAD PLATE	2
20	JINPF5550112719	撑管夹螺母	NUT	4
21	JINPF5550112720	下过线架	THREAD HANGE (LOWER)	1
22	JINPF5550112721	过线圈	THREAD GUIDE RING	2

13. 附件 / Accessories



13.附件 / Accessories

序号 Ref. No	件号 Part No	名称	Description	数量 QTY
1	JINPF55501018	螺丝刀 (小)	SCREW DRIVER (SMALL)	1
2	JINPF55501017	螺丝刀 (中)	SCREW DRIVER (MIDDLE)	1
3	JINPF55501016	螺丝刀 (大)	SCREW DRIVER (LARGE)	1
4	JINPF5550101	机头连接钩部件	HINGE COMPL	2
5	JINSCJ6018	机头连接钩座钉	RUBBER CUSHION NAIL	6
6	JINPF5550102	机头连接钩座	RUBBER CUSHION	2
7	JINPFDTDP521	机针	NEEDLE	1
8	JINPF0302319	梭心	BOBBIN	3
9	JINPF55501021	机头支柱	FRAME SUPPORT BAR	1
10	JINPF0303104004	机头罩	FRAMEVINYL COVER	1
11	JINPF55501022	油箱	OIL BOTTLE WITH OIL	1
12	JINPF555099	机头支架	NOSE SUPPORT	2
13	JINPF61501105	小油壶	OILER ASM.	1
14	JINPF555098	机头座垫	DIE CUSHION	2