

MS-1261 MS-1261M

**INSTRUCTION MANUAL
BETRIEBSANLEITUNG
MANUAL DE INSTRUCCIONES**

**MANUEL D'UTILISATION
MANUALE D'ISTRUZIONI**

NOTE :	Read safety instructions carefully and understand them before using. Retain this Instruction Manual for future reference.
HINWEIS :	Lesen Sie die Sicherheitsanweisungen aufmerksam durch, um sich mit ihnen vertraut zu machen, bevor Sie diese Maschine in Betrieb nehmen. Bewahren Sie diese Bedienungsanleitung für spätere Bezugnahme auf.
NOTE :	Avant d'utiliser la machine, lire attentivement toutes les consignes de sécurité. Conserver ce manuel pour pouvoir le consulter en cas de besoin.
NOTA :	Antes de comenzar a usar esta máquina lea con detención hasta comprender todas las instrucciones de seguridad. Conserve este Manual de instrucciones a mano para futuras consultas.
NOTA :	Leggere attentamente e comprendere tutte le istruzioni per la sicurezza prima di iniziare l' uso di questa macchina. Conservare questo Manuale d'Istruzioni per pronto riferimento.

ENGLISH

ENGLISH

TO ENSURE SAFE USE OF YOUR SEWING MACHINE

For the sewing machine, automatic machine and ancillary devices (hereinafter collectively referred to as "machine"), it is inevitable to conduct sewing work near moving parts of the machine. This means that there is always a possibility of unintentionally coming in contact with the moving parts. Operators who actually operate the machine and maintenance personnel who are involved in maintenance and repair of the machine are strongly recommended to carefully read to fully understand the following **Safety precautions** before using/maintaining the machine. The content of the **Safety precautions** includes items which are not contained in the specifications of your product.

The risk indications are classified into the following three different categories to help understand the meaning of the labels. Be sure to fully understand the following description and strictly observe the instructions.

(I) Explanation of risk levels

	DANGER : This indication is given where there is an immediate danger of death or serious injury if the person in charge or any third party mishandles the machine or does not avoid the dangerous situation when operating or maintaining the machine.
	WARNING : This indication is given where there is a potentiality for death or serious injury if the person in charge or any third party mishandles the machine or does not avoid the dangerous situation when operating or maintaining the machine.
	CAUTION : This indication is given where there is a danger of medium to minor injury if the person in charge or any third party mishandles the machine or does not avoid the dangerous situation when operating or maintaining the machine.
	Items requiring special attention

(II) Explanation of pictorial warning indications and warning labels

Pictorial warning indication		There is a risk of injury if contacting a moving section.	Indication label		There is a risk of entanglement in the belt resulting in injury.
		There is a risk of electrical shock if contacting a high-voltage section.			The correct direction is indicated.
		There is a risk of a burn if contacting a high-temperature section.			Connection of a earth cable is indicated.

- ❶ • There is the possibility that slight to serious injury or death may be caused.
- There is the possibility that injury may be caused by touching moving part.
- ❷ • To perform sewing work with safety guard.
- To perform sewing work with safety cover.
- To perform sewing work with safety protection device.
- ❸ • Be sure to turn the power OFF before carrying out "machine-head threading," "needle changing," "bobbin changing" or "oiling and cleaning."

SAFETY PRECAUTIONS

Accident means "to cause personal injury or death or damage to property."



DANGER

1. When it is necessary to open the control box containing electrical parts, be sure to turn the power off and wait for five minutes or more before opening the cover in order to prevent accident leading to electrical shock.



CAUTION

Basic precaution

1. Be sure to read the instruction manual and other explanatory documents supplied with accessories of the machine before using the machine. Carefully keep the instruction manual and the explanatory documents at hand for quick reference.
2. The content of this section includes items which are not contained in the specifications of your product.
3. Be sure to wear safety goggles to protect against accident caused by needle breakage.
4. Those who use a heart pacer have to use the machine after consultation with a medical specialist.

Safety devices and warning labels

1. Be sure to operate the machine after verifying that safety device(s) is correctly installed in place and works normally in order to prevent accident caused by lack of the device(s).
2. If any of the safety devices is removed, be sure to replace it and verify that it works normally in order to prevent accident that can result in personal injury or death.
3. Be sure to keep the warning labels adhered on the machine clearly visible in order to prevent accident that can result in personal injury or death. If any of the labels has stained or come unstuck, be sure to change it with a new one.

Application and modification

1. Never use the machine for any application other than its intended one and in any manner other than that prescribed in the instruction manual in order to prevent accident that can result in personal injury or death. JUKI assumes no responsibility for damages or personal injury or death resulting from the use of the machine for any application other than the intended one.
2. Never modify and alter the machine in order to prevent accident that can result in personal injury or death. JUKI assumes no responsibility for damages or personal injury or death resulting from the machine which has been modified or altered.

Education and training

1. In order to prevent accident resulting from unfamiliarity with the machine, the machine has to be used only by the operator who has been trained/educated by the employer with respect to the machine operation and how to operate the machine with safety to acquire adequate knowledge and operation skill. To ensure the above, the employer has to establish an education/training plan for the operators and educate/train them beforehand.

Items for which the power to the machine has to be turned off

Turning the power off: Turning the power switch off, then removing the power plug from the outlet. This applies to the following.

1. Be sure to immediately turn the power off if any abnormality or failure is found or in the case of power failure in order to protect against accident that can result in personal injury or death.
2. To protect against accident resulting from abrupt start of the machine, be sure to carry out the following operations after turning the power off. For the machine incorporating a clutch motor, in particular, be sure to carry out the following operations after turning the power off and verifying that the machine stops completely.
 - 2-1. For example, threading the parts such as the needle, looper, spreader etc. which have to be threaded, or changing the bobbin.
 - 2-2. For example, changing or adjusting all component parts of the machine.
 - 2-3. For example, when inspecting, repairing or cleaning the machine or leaving the machine.
3. Be sure to remove the power plug by holding the plug section instead of the cord section in order to prevent electrical-shock, earth-leakage or fire accident.
4. Be sure to turn the power off whenever the machine is left unattended between works.
5. Be sure to turn the power off in the case of power failure in order to prevent accident resulting of breakage of electrical components.

PRECAUTIONS TO BE TAKEN IN VARIOUS OPERATION STAGES

Transportation

1. Be sure to lift and move the machine in a safe manner taking the machine weight in consideration. Refer to the text of the instruction manual for the mass of the machine.

2. Be sure to take sufficient safety measures to prevent falling or dropping before lifting or moving the machine in order to protect against accident that can result in personal injury or death.
3. Once the machine has been unpacked, never re-pack it for transportation to protect the machine against breakage resulting from unexpected accident or dropping.

Unpacking

1. Be sure to unpack the machine in the prescribed order in order to prevent accident that can result in personal injury or death. In the case the machine is crated, in particular, be sure to carefully check nails. The nails have to be removed.
2. Be sure to check the machine for the position of its center of gravity and take it out from the package carefully in order to prevent accident that can result in personal injury or death.

Installation

(I) Table and table stand

1. Be sure to use JUKI genuine table and table stand in order to prevent accident that can result in personal injury or death. If it is inevitable to use a table and table stand which are not JUKI genuine ones, select the table and table stand which are able to support the machine weight and reaction force during operation.
2. If casters are fitted to the table stand, be sure to use the casters with a locking mechanism and lock them to secure the machine during the operation, maintenance, inspection and repair in order to prevent accident that can result in personal injury or death.

(II) Cable and wiring

1. Be sure to prevent an extra force from being applied to the cable during the use in order to prevent electrical-shock, earth-leakage or fire accident. In addition, if it is necessary to cable near the operating section such as the V-belt, be sure to provide a space of 30 mm or more between the operating section and the cable.
2. Be sure to avoid starburst connection in order to prevent electrical-shock, earth-leakage or fire accident.
3. Be sure to securely connect the connectors in order to prevent electrical-shock, earth-leakage or fire accident. In addition, be sure to remove the connector while holding its connector section.

(III) Grounding

1. Be sure to have an electrical expert install an appropriate power plug in order to prevent accident caused by earth-leakage or dielectric strength voltage fault. In addition, be sure to connect the power plug to the grounded outlet without exceptions.
2. Be sure to ground the earth cable in order to prevent accident caused by earth leakage.

(IV) Motor

1. Be sure to use the specified rated motor (JUKI genuine product) in order to prevent accident caused by burnout.
2. If a commercially available clutch motor is used with the machine, be sure to select one with an entanglement preventive pulley cover in order to protect against being entangled by the V-belt.

Before operation

1. Be sure to make sure that the connectors and cables are free from damage, dropout and looseness before turning the power on in order to prevent accident resulting in personal injury or death.
2. Never put your hand into the moving sections of the machine in order to prevent accident that can result in personal injury or death.
In addition, check to be sure that the direction of rotation of the pulley agrees with the arrow shown on pulley.
3. If the table stand with casters is used, be sure to secure the table stand by locking the casters or with adjusters, if provided, in order to protect against accident caused by abrupt start of the machine.

During operation

1. Be sure not to put your fingers, hair or clothing close to the moving sections such as the handwheel, hand pulley and motor or place something near those sections while the machine is in operation in order to prevent accident caused by entanglement that can result in personal injury or death.
2. Be sure not to place your fingers near the surround area of the needle or inside the thread take-up lever cover when turning the power on or while the machine is in operation in order to prevent accident that can result in personal injury or death.
3. The machine runs at a high speed. Never bring your hands near the moving sections such as looper, spreader, needle bar, hook and cloth trimming knife during operation in order to protect your hands against injury. In addition, be sure to turn the power off and check to be sure that the machine completely stops before changing the thread.
4. Be careful not to allow your fingers or any other parts of your body to be caught between the machine and table when removing the machine from or replacing it on the table in order to prevent accident that can result in personal injury or death.
5. Be sure to turn the power off and check to be sure that the machine and motor completely stop before removing the belt cover and V-belt in order to prevent accident caused by abrupt start of the machine or motor.
6. If a servomotor is used with the machine, the motor does not produce noise while the machine is at rest. Be sure not to forget to turn the power off in order to prevent accident caused by abrupt start of the motor.
7. Never use the machine with the cooling opening of the motor power box shielded in order to prevent fire accident by overheat.

Lubrication

1. Be sure to use JUKI genuine oil and JUKI genuine grease to the parts to be lubricated.
2. If the oil adheres on your eye or body, be sure to immediately wash it off in order to prevent inflammation or irritation.
3. If the oil is swallowed unintentionally, be sure to immediately consult a medical doctor in order to prevent diarrhea or vomiting.



Maintenance


1. In prevention of accident caused by unfamiliarity with the machine, repair and adjustment has to be carried out by a service technician who is thoroughly familiar with the machine within the scope defined in the instruction manual. Be sure to use JUKI genuine parts when replacing any of the machine parts. JUKI assumes no responsibility for any accident caused by improper repair or adjustment or the use of any part other than JUKI genuine one.
2. In prevention of accident caused by unfamiliarity with the machine or electrical-shock accident, be sure to ask an electrical technician of your company or JUKI or distributor in your area for repair and maintenance (including wiring) of electrical components.
3. When carrying out repair or maintenance of the machine which uses air-driven parts such as an air cylinder, be sure to remove the air supply pipe to expel air remaining in the machine beforehand, in order to prevent accident caused by abrupt start of the air-driven parts.
4. Be sure to check that screws and nuts are free from looseness after completion of repair, adjustment and part replacement.
5. Be sure to periodically clean up the machine during its duration of use. Be sure to turn the power off and verify that the machine and motor stop completely before cleaning the machine in order to prevent accident caused by abrupt start of the machine or motor.
6. Be sure to turn the power off and verify that the machine and motor stop completely before carrying out maintenance, inspection or repair of the machine. (For the machine with a clutch motor, the motor will keep running for a while by inertia even after turning the power off. So, be careful.)
7. If the machine cannot be normally operated after repair or adjustment, immediately stop operation and contact JUKI or the distributor in your area for repair in order to prevent accident that can result in personal injury or death.
8. If the fuse has blown, be sure to turn the power off and eliminate the cause of blowing of the fuse and replace the blown fuse with a new one in order to prevent accident that can result in personal injury or death.
9. Be sure to periodically clean up the air vent of the fan and inspect the area around the wiring in order to prevent fire accident of the motor.

Operating environment


1. Be sure to use the machine under the environment which is not affected by strong noise source (electromagnetic waves) such as a high-frequency welder in order to prevent accident caused by malfunction of the machine.
2. Never operate the machine in any place where the voltage fluctuates by more than "rated voltage $\pm 10\%$ " in order to prevent accident caused by malfunction of the machine.
3. Be sure to verify that the air-driven device such as an air cylinder operates at the specified air pressure before using it in order to prevent accident caused by malfunction of the machine.
4. To use the machine with safety, be sure to use it under the environment which satisfies the following conditions:
Ambient temperature during operation 5°C to 35°C
Relative humidity during operation 35% to 85%
5. Dew condensation can occur if bringing the machine suddenly from a cold environment to a warm one. So, be sure to turn the power on after having waited for a sufficient period of time until there is no sign of water droplet in order to prevent accident caused by breakage or malfunction of the electrical components.
6. Be sure to stop operation when lightning flashes for the sake of safety and remove the power plug in order to prevent accident caused by breakage or malfunction of the electrical components.
7. Depending on the radio wave signal condition, the machine may generate noise in the TV or radio. If this occurs, use the TV or radio with kept well away from the machine.
8. For the worker who is involved in the work to be done in the environment relevant to "noise value in the working environment is 85 dB or more and less than 90 dB", be sure to take appropriate measures, as required, such as the use of ear protection or the like to protect against health hazard. In addition, for the worker who is involved in the work to be done in the environment relevant to "noise level in the working environment is 90 dB or more," be sure to instruct him/her to wear ear protection without exceptions in order to protect against health hazard, and display a sign explaining how to use the ear protection at an easily viewable location for the worker.
9. Properly dispose of packages of the sewing machine and used lubricating oil according to the relevant national law(s) in your country.

FOR SAFE OPERATION

	<ol style="list-style-type: none"> 1. Keep your hands away from the needle when you turn the power switch ON or while the machine is operating. 2. Do not put your fingers into the thread take-up cover while the machine is operating. 3. Keep your fingers, head hair or clothes away from the vicinity of the handwheel and thread take-up lever or keep clean this area while the sewing machine is running. 4. Do not operate the sewing machine with its belt cover and finger guard removed.
	<ol style="list-style-type: none"> 1. To achieve, security, be sure that the power supply earth wire has been connected before operating the sewing machine. 2. Before inserting/removing the power plug, the power switch has to be turned OFF in advance. 3. In time of thunder and lightning, stop your work and disconnect the power plug from the receptacle so as to ensure safety. 4. When you move the unit from a cold place directly to a warm place, dew condensation may result. Turn ON the power to the unit after you have confirmed there is no fear of dew condensation. 5. To prevent fires, periodically draw out the power plug from the plug socket and clean the root of the pins and the space between pins. 6. The looper oscillates at a high speed while you are operating the sewing machine. To protect your hands, keep your hands away from the vicinity of the looper. In addition, be sure to turn the power OFF before threading the machine head. 7. To avoid possible accidents due to abrupt start of the machine, be sure to turn OFF the power to the machine. 8. Be careful of handling this product so as not to pour water or oil, shock by dropping, and the like since this product is a precision instrument.

	<p>CAUTION : Note that safety devices such as “eye guard”, “finger guard”, etc. may be omitted from the illustrations in this Instruction Manual for easy explanation. When operating the machine, be sure not to remove these safety devices.</p>
---	---

BEFORE OPERATION

	<p>CAUTION : Check the following so as to prevent maloperation of and damage to the machine.</p> <ul style="list-style-type: none"> • Before you put the machine into operation for the first time after the set-up, clean it thoroughly. Remove all dust gathering during transportation and oil it well. • Confirm that voltage has been correctly set. Confirm that the power plug has been properly connected to the power supply. • Never use the machine in the state where the voltage type is different from the designated one. • The direction of normal rotation of the machine is counterclockwise as observed from the pulley side. Take care not to allow the machine to rotate in the reverse direction. • Never operate the sewing machine unless the sewing machine is sufficiently lubricated. • To operate the sewing machine, be sure to install the sewing machine on the table. Then, turn ON the power switch. • Be sure to remove thread from the machine head and looper before starting a trial run. • Be sure to use your sewing machine with the speed of stitch lowered to 2,800 sti/min or less for the first month after installation. • Operate the handwheel after the machine has totally stopped.
---	--

DECLARATION OF INCORPORATION OF PARTLY COMPLETED MACHINERY

We hereby declare that the sewing machine (sewing head) described below ;

1. Must not be put into service until the machinery to which it is incorporated has been declared in conformity with the provisions of the Directive 2006/42/EC, and
2. Conforms to the essential requirements of the Directive 2006/42/EC, described in the technical documentation, and
3. To be prepared with the above technical documentation compiled in accordance with part B of Annex VII, and
4. Relevant information on which should be transmitted in response to a reasoned request by the national authorities, by the electronic method or other according to the request.

Model	MS-1261, MS-1261M
Serial No	
Description	Industrial Sewing Machine
Function	make stitches and sew

Applied harmonized standards, in particular :
EN ISO12100-1, EN ISO12100-2, EN ISO10821

Manufacturer :
JUKI CORPORATION
2-11-1, Tsurumaki, Tama-shi, Tokyo, Japan

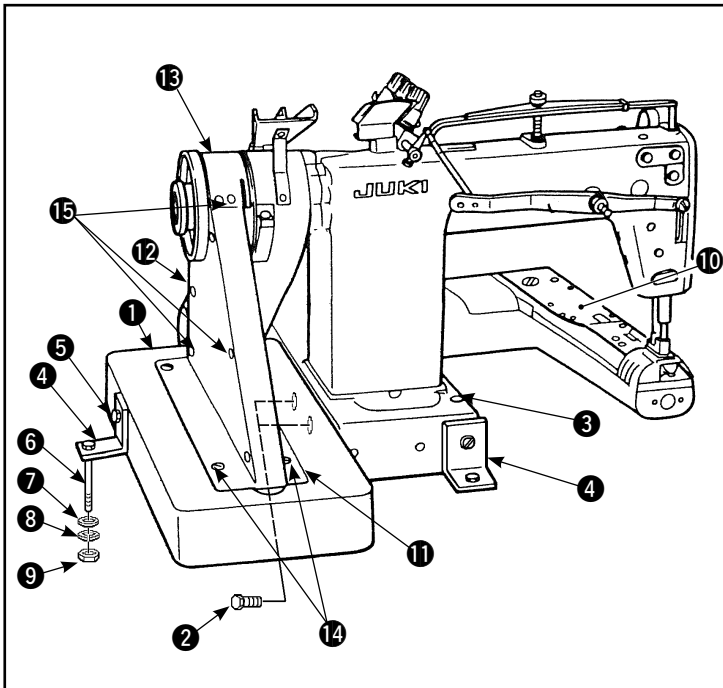
CONTENTS

SPECIFICATIONS	1
1. SETTING UP THE SEWING MACHINE	1
2. ADJUSTING THE BELT TENSION	2
3. INSTALLING THE THREAD STAND.....	2
4. INSTALLING THE KNEE LIFTER	2
5. LUBRICATION.....	3
6. ATTACHING A NEEDLE.....	3
7. THREADING THE MACHINE HEAD.....	4
8. THREAD TENSION	4
9. ADJUSTING THE PRESSURE OF THE PRESSER FOOT	5
10. ADJUSTING THE STITCH LENGTH.....	5
11. ADJUSTING THE NEEDLE GUARD.....	6
12. ADJUSTING THE LOOPER CAM.....	6
13. HEIGHT OF THE FEED DOG.....	7
14. TIMING TO RELEASE THE NEEDLE THREAD TENSION	7
15. ADJUSTING THE TAKE-UP THREAD TENSION CONTROL LEVER.....	7
16. POSITION OF THE INTERMEDIATE THREAD TENSION RELEASING LEVER AND THREAD GUIDE OF THE NEEDLE THREAD TENSION CONTROLLER	8
17. MOTOR PULLEY AND SEWING SPEED	8
18. TABLE OF REPLACEABLE GAUGES.....	9

SPECIFICATIONS

Model	MS-1261	MS-1261M
Application	For heavy- to extra-heavy-weight materials	For medium- to heavy-weight materials
Number of needle	3	
Sewing speed	Max. 3,600 sti/min (normal 3,000 sti/min)	
Needle	ORGAN UY x 128GAS-NY #16 to #22 (standard #21)	ORGAN UY x 128GAS-NY #16 to #22 (standard #19)
	SCHMETZ UY128GAS Nm. 100 to Nm. 140 (standard Nm. 130)	SCHMETZ UY128GAS Nm. 100 to Nm. 140 (standard Nm. 120)
Height of presser foot	10 mm	
Stitch length	1.4 to 4.2 mm (with a cloth puller)	
Needle gauge	7/32", 1/4", 9/32", 5/16", 3/8"	
Circumference of cylinder	194 mm	
Lubricating oil	JUKI New Defrix Oil No.1	
Noise	<ul style="list-style-type: none"> - Equivalent continuous emission sound pressure level (L_{pA}) at the workstation: A-weighted value of 83.0 dB; (Includes $K_{pA} = 2.5$ dB); according to ISO 10821- C.6.2 -ISO 11204 GR2 at 3,600 sti/min. - Sound power level (L_{WA}); A-weighted value of 92.5 dB; (Includes $K_{WA} = 2.5$ dB); according to ISO 10821- C.6.2 -ISO 11204 GR2 at 3,600 sti/min. 	

1. SETTING UP THE SEWING MACHINE



1) When carrying the sewing machine, be sure to carry by two people.

(Caution) Do not hold the pulley.

- 2) Do not place a protruding object, such as a screw driver, at a place where the sewing machine is to be installed.
- 3) Attach belt dodging base ① to the sewing machine with hexagon head bolt ②.
- 4) Put the sewing machine on the table and determine its position (belt groove and through hole ③ for passing the presser bar lifter chain).
- 5) Attach two machine head support plates ④ to the sewing machine by means of screw ⑤. Fix the plates on the table by means of hexagonal bolt ⑥, washer ⑦, spring washer ⑧ and nut ⑨.
- 6) Place a level on bed side plate ⑩ in a lateral direction and a longitudinal direction to check that the sewing machine is properly placed in a horizontal position.
- 7) Install belt cover ⑪, V belt, belt cover lid ⑫, and top cover ⑬ on the sewing machine and fix them with screws ⑭ and ⑮.

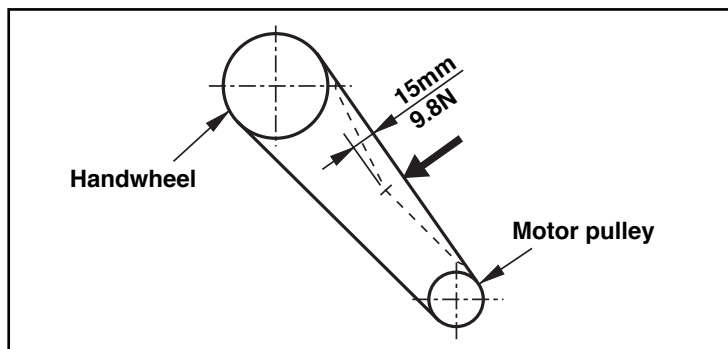
When installing the belt over, temporarily tighten the screw first. Then, securely tighten the screw after the installation of all related parts.

2. ADJUSTING THE BELT TENSION



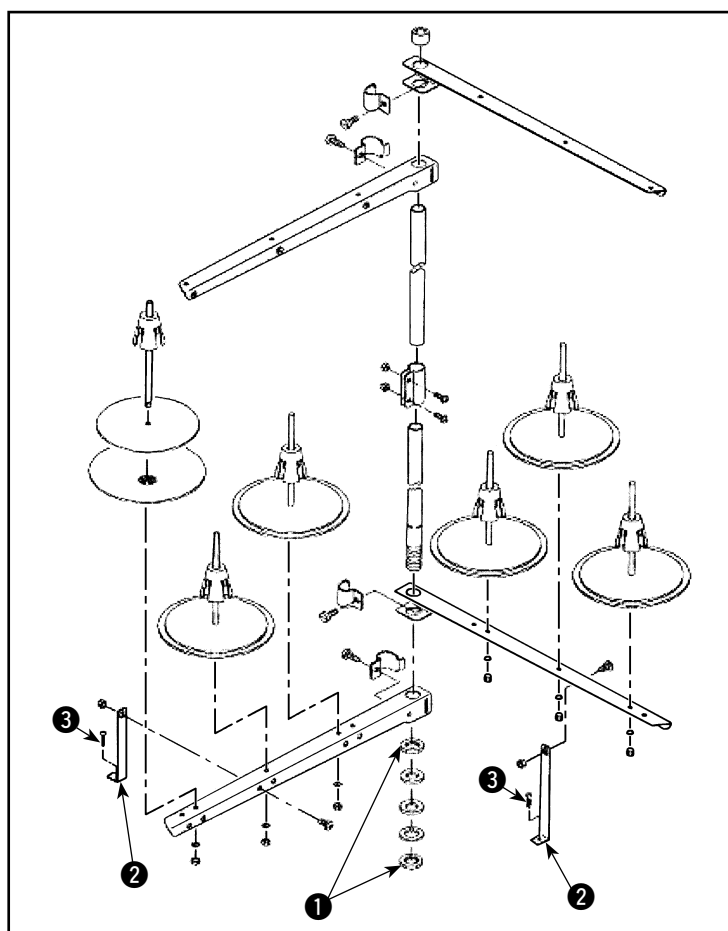
WARNING :

To protect against possible personal injury due to abrupt start of the machine, be sure to start the following work after turning the power off and ascertaining that the motor is at rest.



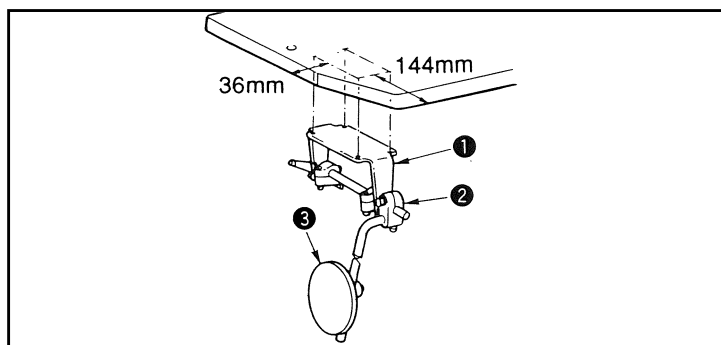
Adjust the belt tension with the height of the motor so that the belt sags 15 mm when the center of V belt is applied with a 9.8N load.

3. INSTALLING THE THREAD STAND



- 1) Assemble the thread stand device. Fit it in the hole in the table. Tighten locknut ❶ so that the thread stand does not fluctuate.
- 2) Fix thread stand bracket ❷ on the table with wood screw ❸.

4. INSTALLING THE KNEE LIFTER



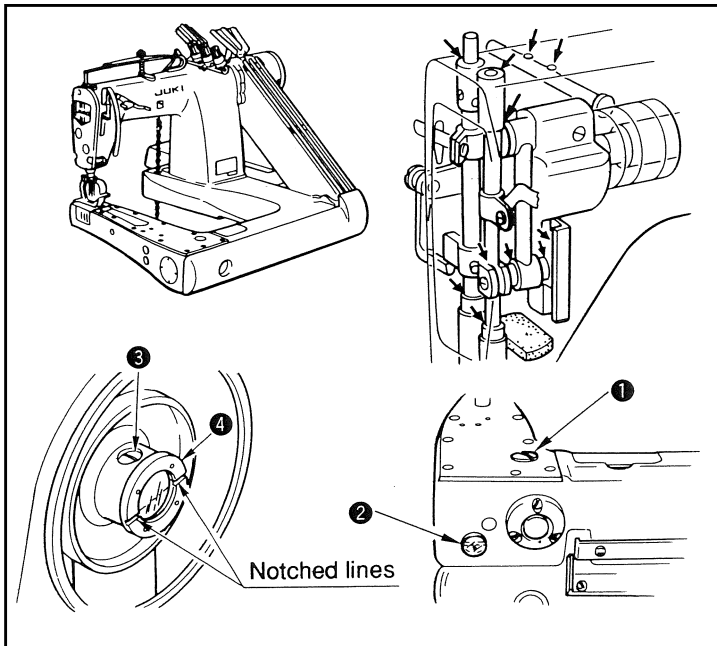
- 1) Fix knee-lifter mounting base (asm.) ❶ on the underside of the table using wooden screws.
- 2) Assemble knee pad vertical shaft (asm.) ❸ to knee pad vertical shaft mounting arm ❷. Then fix them in the position where you can operate the knee pad with ease.

5. LUBRICATION



WARNING :

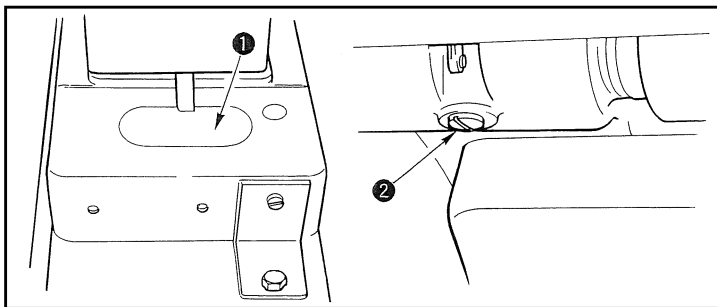
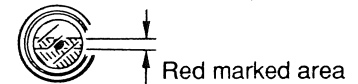
To protect against possible personal injury due to abrupt start of the machine, be sure to start the following work after turning the power off and ascertaining that the motor is at rest.



★Before operating the sewing machine

- 1) Remove screw ① from the lubrication hole. Pour New Defrix Oil No. 1 from the hole until the oil surface reaches the mark on oil sight window ②.
- 2) Turn the handwheel until the notched lines on the oil cup ④ are leveled. Now, remove screw ③ from the lubrication hole, and pour the oil until the oil surface reaches the notched lines on the oil cup (approx. a half of the oil capacity of the cup.)
- 3) Run the sewing machine for a few minutes, then check the amount of oil again. If the amount of oil is insufficient, pour the oil further until the machine is filled with a proper amount of oil.
- 4) If the sewing machine has not been used for a long time, lubricate the section marked with an arrow (←) with a few drops of oil.

(Caution) To operate the sewing machine for the first time after the set-up of the machine or after it has not been used for a long time, fill the oil cup fully with the oil. Check that the oil level is always held within the red marked area on the oil sight window.



★Draining oil

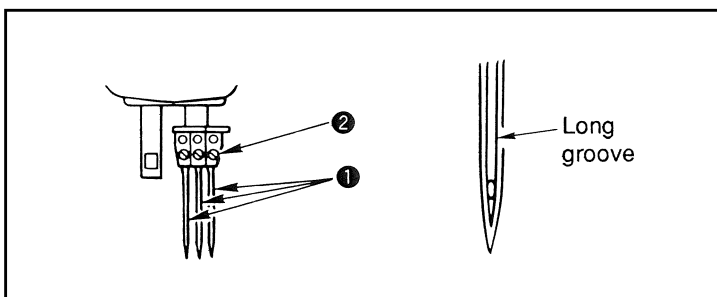
- 1) If the oil has gathered in groove ① of the oil reservoir, wipe it off with rags.
- 2) Extract the oil which has gathered in the bed, from time to time, by removing cover ② from the draining hole in the hook driving shaft.

6. ATTACHING A NEEDLE



WARNING :

To protect against possible personal injury due to abrupt start of the machine, be sure to start the following work after turning the power off and ascertaining that the motor is at rest.



Make a choice of the needle count in accordance with thickness of the thread and type of the material to be used.

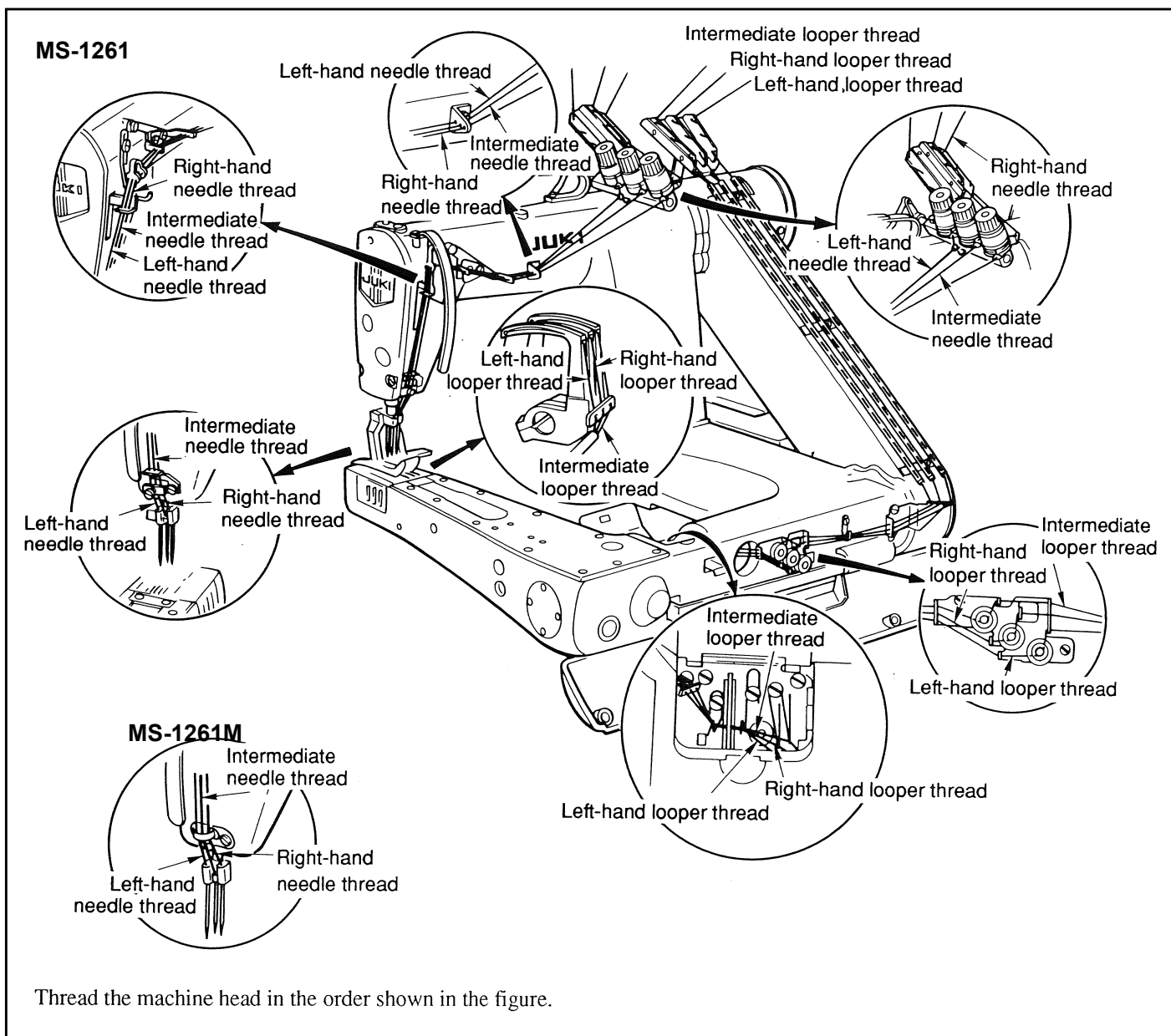
- 1) Turn the handwheel until the needle bar reaches to the highest position of its stroke.
- 2) Loosen screw ② in the needle clamp, and turn needles ① so that the long groove on the respective needles is brought in front of you.
- 3) Insert the needles into the needle clamp hole until they will go no further.
- 4) Securely tighten needle clamp screw ②.

7. THREADING THE MACHINE HEAD

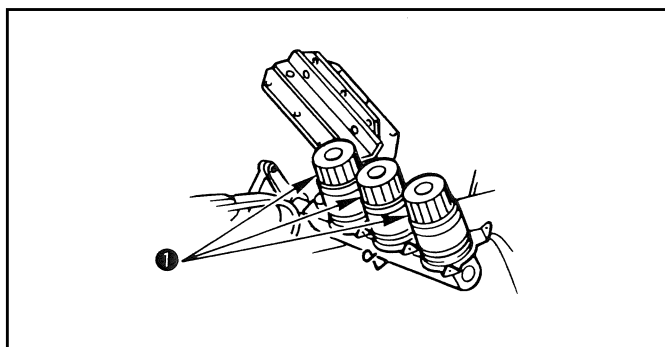


WARNING :

To protect against possible personal injury due to abrupt start of the machine, be sure to start the following work after turning the power off and ascertaining that the motor is at rest.

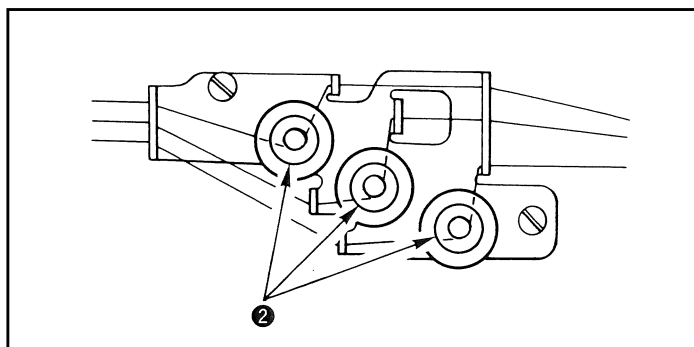


8. THREAD TENSION



(1) Adjusting the needle thread tension

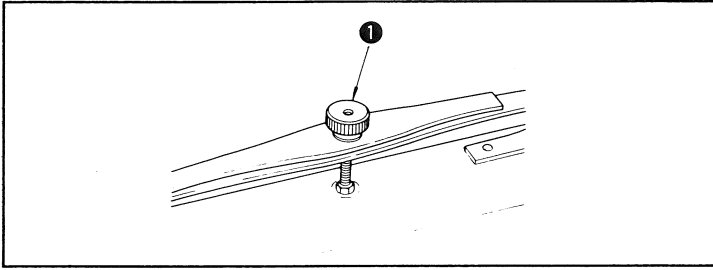
Turning tension nuts ① clockwise increases the needle thread tension. Turning it counterclockwise decreases the needle thread tension.



(2) Adjusting the looper thread tension

Turning looper thread tension adjusting knobs ② clockwise increases the looper thread tension. Turning it counterclockwise decreases the looper thread tension.

9. ADJUSTING THE PRESSURE OF THE PRESSER FOOT



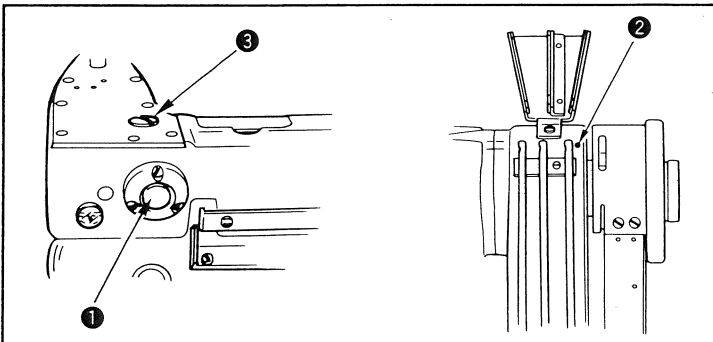
Turning presser spring regulator ❶ clockwise increases the pressure of the presser foot. Turning it counterclockwise decreases the pressure.

10. ADJUSTING THE STITCH LENGTH

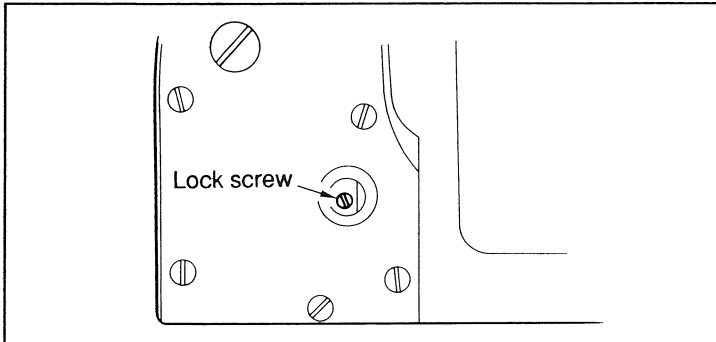


WARNING :

To protect against possible personal injury due to abrupt start of the machine, be sure to start the following work after turning the power off and ascertaining that the motor is at rest.



- 1) Remove screw ❸, and loosen the lock screw in the feed rock cam.
- 2) Lightly pressing push-button ❶, turn the handwheel by hand.
- 3) When push-button ❶ bites, the sewing machine will stop running.
- 4) In the aforementioned state, further pressing the push-button ❶, turn the handwheel by hand.
- 5) Align the division (indicating the desired value) with marker dot ❷ engraved on the sprocket gear cover. Then, release the push-button ❶.
- 6) Tighten the lock screw in the feed rock cam.
- 7) Attach screw ❸ in place.



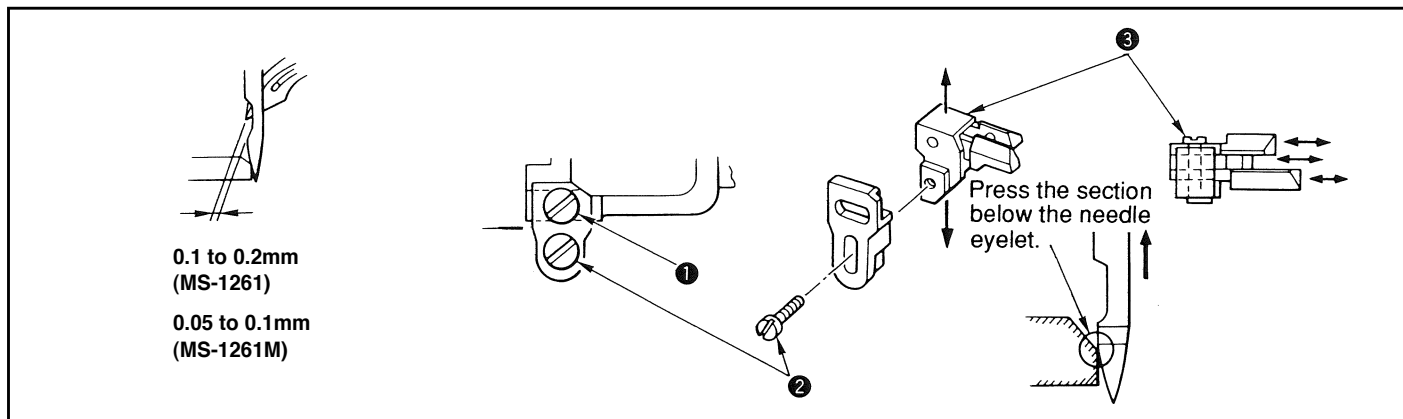
- (Caution)**
1. Never press the push-button ❶ while the sewing machine is in operation.
 2. Be sure to operate the sewing machine after tightening the lock screw.
 3. Never operate the machine with screw ❸ removed.
 4. The lock screw has a locking setscrew to prevent the screw from loosening. The lock screw head can be damaged if you forcefully remove it.

11. ADJUSTING THE NEEDLE GUARD



WARNING :

To protect against possible personal injury due to abrupt start of the machine, be sure to start the following work after turning the power off and ascertaining that the motor is at rest.



The needle guard has been mounted on the feed dog. It therefore necessary to adjust the needle guard whenever the feed amount is changed.

(Adjusting the clearance provided between the needle and the looper)

- 1) Turn the handwheel to make the top end of the looper align with the center of the needle.
- 2) Loosen screw ①, move the entire unit of the needle guard to the right or left to make the needle guard press the needle so that the clearance of 0.1 to 0.2 mm is provided between the looper and the needle. (0.05 to 0.1 mm for MS-1261M)

(Adjusting the vertical position of the needle guard)

- 1) Turn the handwheel to bring the needle guard at a position where the needle guard starts pressing the needle.
- 2) Loosen screw ②, and move the entire unit of the needle guard up or down so that the needle guard is located at a position where it does not press and deform needle thread loops (just below the needle eyelet).

(Adjusting the clearances between the respective needles and loopers)

If the clearances between the respective loopers and needles are not equal after the clearance between each needle and looper has been adjusted by moving the entire unit of the needle guard, adjust so that the equal clearance is provided between the respective loopers and needles following the steps described below.

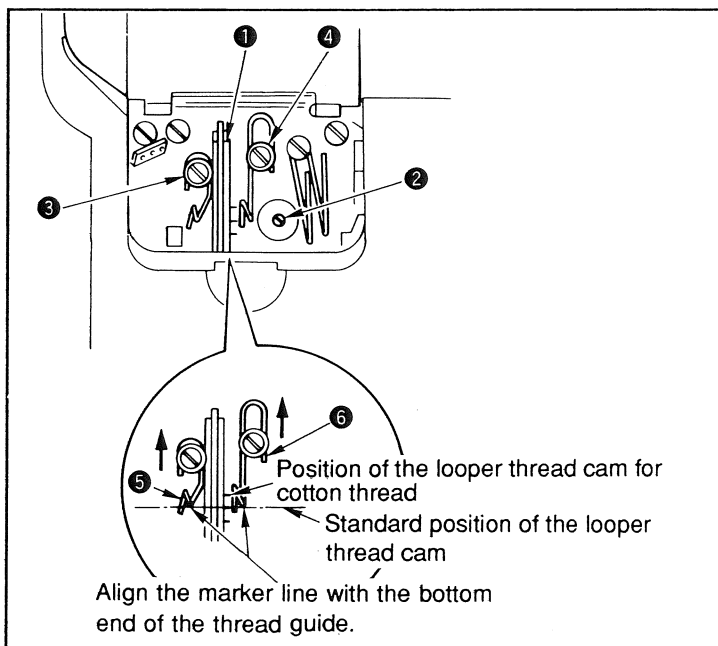
- 1) Turn the handwheel to make the top end of the looper align with the center of the needle.
- 2) Loosen screw ③, move the respective needle guards to adjust so that the equal clearance is provided between the respective needles and loopers.

12. ADJUSTING THE LOOPER LTHREAD CAM



WARNING :

To protect against possible personal injury due to abrupt start of the machine, be sure to start the following work after turning the power off and ascertaining that the motor is at rest.



Loosen screw ②, and adjust looper thread cam ① so that the looper starts drawing the thread when it starts returning to its home position after it has projected the most.

(1) Adjusting the looper thread cam thread guide

- 1) Align the end face of thread guide ⑥ to the marker line on thread guide ⑥. Then adjust thread guide ⑤ so that its end face is flush with the end face of thread guide ⑥.
- 2) The standard position of the thread guide is obtained when the end face of the thread guide is aligned with the center marker line.
- 3) When using a cotton thread, loosen screws ③ and ④, and align the end faces of thread guides ⑤ and ⑥ to the marker line located far side. At this time, it is not necessary to readjust the looper thread cam timing.

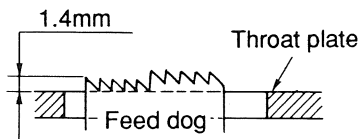
13. HEIGHT OF THE FEED DOG



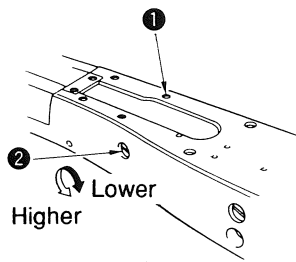
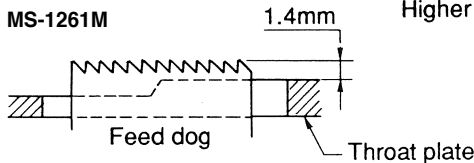
WARNING :

To protect against possible personal injury due to abrupt start of the machine, be sure to start the following work after turning the power off and ascertaining that the motor is at rest.

MS-1261



MS-1261M



The top end of the feed dog should rise 1.4 mm above the surface of the throat plate when the feed dog is in the highest position of its stroke.

(1) Adjusting the feed dog height

- 1) Loosen screw ① in the side plate of the bed and remove it.
- 2) Remove the screw ①, and loosen a hexagon socket head screw under the screw ① with an L-shaped hexagon wrench key.
- 3) Adjust the feed dog height by turning feed driving amount adjusting shaft ②.
- 4) Fix the shaft with the hexagon socket head screw and tighten screw ①.

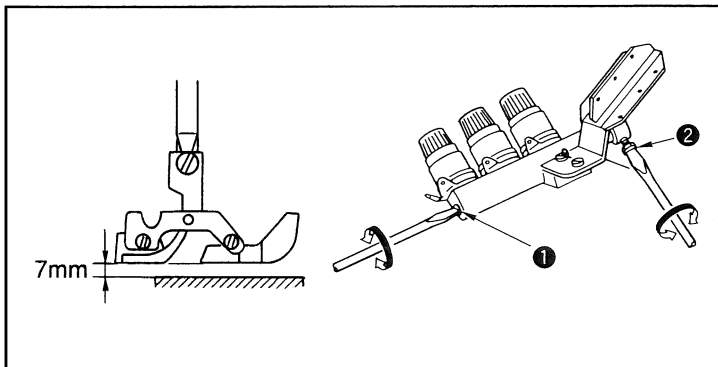
(Caution) It is not necessary to firmly fix the feed driving amount adjusting shaft ②.

14. TIMING TO RELEASE THE NEEDLE THREAD TENSION



WARNING :

To protect against possible personal injury due to abrupt start of the machine, be sure to start the following work after turning the power off and ascertaining that the motor is at rest.



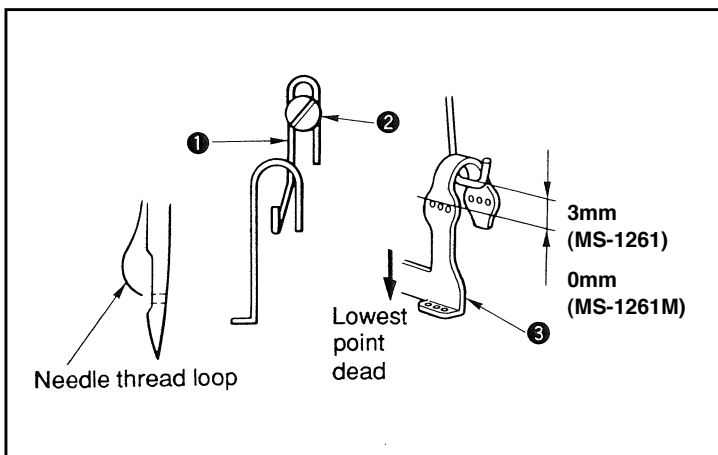
Adjust so that the needle thread tension is released when the presser foot is lifted by 7 mm above the surface of the throat plate. Loosen screw ② in thread tension releasing shaft ①, and adjust the timing to release the needle thread tension by turning the shaft clockwise or counterclockwise.

15. ADJUSTING THE TAKE-UP THREAD TENSION CONTROL LEVER



WARNING :

To protect against possible personal injury due to abrupt start of the machine, be sure to start the following work after turning the power off and ascertaining that the motor is at rest.



Needle thread loop size is determined by adjusting the position of take-up thread tension control lever ①.

The needle thread loop size changes in accordance with the thread and material used. So, adjust the thread loop size upon occasion.

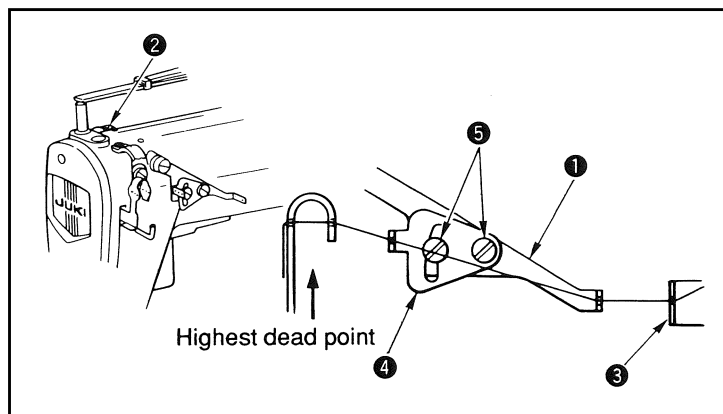
- 1) Loosen two screws ②, and adjust the position of the thread take-up lever guide by moving it up or down.
- 2) Adjust so that, when the needle bar is in the lowest dead point, the top end of the thread tension control lever is positioned 3 mm above the top end of thread hole in needle bar thread take-up lever ③. (0 mm for MS-1261M)
- 3) Lowering thread tension control lever ① decrease the loop size. Lifting the lever increases it.

16. POSITION OF THE INTERMEDIATE THREAD TENSION RELEASING LEVER AND THREAD GUIDE OF THE NEEDLE THREAD TENSION CONTROLLER



WARNING :

To protect against possible personal injury due to abrupt start of the machine, be sure to start the following work after turning the power off and ascertaining that the motor is at rest.



Adjust the position of intermediate thread tension releasing lever ① and thread guide ④ of the needle thread tension controller as described below.

- 1) Turn the handwheel to bring the needle bar to the highest dead point.
- 2) Loosen screw ②, and adjust the position of intermediate thread tension releasing lever ① so that the thread coming from intermediate needle thread guide ③ is in parallel to the intermediate thread tension releasing lever.
- 3) Then, loosen two screws ⑤, and adjust the position of thread guide ④ of the needle thread tension controller so that the thread coming from intermediate thread tension releasing lever ① makes a beeline.

17. MOTOR PULLEY AND SEWING SPEED

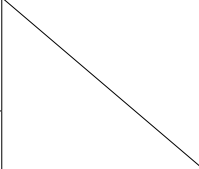
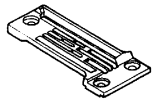
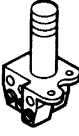
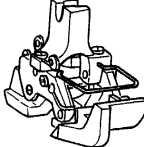
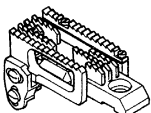
- 1) Use a clutch motor of 3-phase and 400 W (1/2 HP).
For a servo-motor, a synchronizer mounting base is optionally available.
- 2) Use an M type V-belt.
- 3) The relation among the motor pulley, the sewing speed of sewing machine is as shown in the table below:

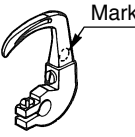
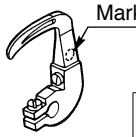
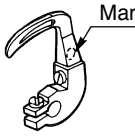
Model	Number of revolution of sewing machine	Effective diameter of handwheel	Number of poles of motor	Frequency.	Number of revolution of motor	Effective diameter of motor pulley
MS-1261 MS-1261M	3,600 sti/min	67.4mm	2	50Hz	2,860 rpm	85mm
				60Hz	3,430 rpm	70mm
	3,000 sti/min			50Hz	2,860 rpm	70mm
				60Hz	3,430 rpm	60mm

- ★ The effective diameter of motor pulley is obtained by subtracting 5 mm from its outside diameter.
- ★ The motor should rotate counterclockwise as observed from the handwheel. Take care not to allow the motor to rotate in the reverse direction.

18. TABLE OF REPLACEABLE GAUGES

(1) MS-1261 (for extra-heavy-weight materials)

			1	2	3	4	5					
Part name			Gauge set (with finger guard)	Throat plate	Needle clamp (asm.)	Presser foot (asm.) (with finger guard)	Feed dog (asm.)					
Needle gauge												
Code	inch	mm										
E	7/32	5.6						12954061	12954004	12956355	12957163	12965158
F	1/4	6.4						12953964	12953907	12956256	12957064	12965059
G	9/32	7.2						12954160	12954103	12956454	12957262	12965257
H	5/16	8.0						12954269	12954202	12956553	12957361	12965356
K	3/8	9.5	12954368	12954301	12956652	12957460	12965455					

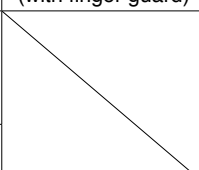
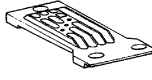
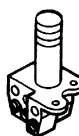
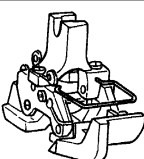
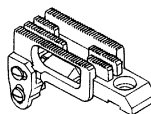
			6	7	8						
Part name			Looper (L) (asm.)	Looper (R) (asm.)	Looper (C) (asm.)						
Needle gauge											
Code	inch	mm				Mark No.	Mark No.	Mark No.			
E	7/32	5.6				12968558	1	12968855	1	12969150	1
F	1/4	6.4									
G	9/32	7.2									
H	5/16	8.0				12968657	2	12968954	2		
K	3/8	9.5									

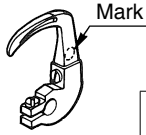
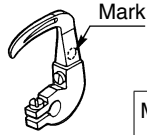
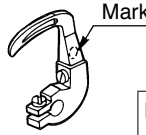
9. Spacer for feed dog (for MS-1261)

No.	Plate thickness (mm)	Part No.	Part name
①	0.3	12976601	Feed dog adjusting plate B
②	0.8	12976700	Feed dog adjusting plate C
③	1.0	12976809	Feed dog adjusting plate D

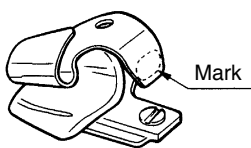
* A spacer is not included in the gauge set.

(2) MS-1261M (for medium-weight materials)

			1	2	3	4	5					
Part name			Gauge set (with finger guard)	Throat plate	Needle clamp (asm.)	Presser foot (asm.) (with finger guard)	Feed dog (asm.)					
Needle gauge												
Code	inch	mm										
E	7/32	5.6						12954665	12954608	12956355	12956165	12970059
F	1/4	6.4						12954566	12954509	12956256	12956066	12969952
G	9/32	7.2						12954764	12954707	12956454	12956769	12970158
H	5/16	8.0						12954863	12954806	12956553	12956868	12970257
K	3/8	9.5	12954962	12954905	12956652	12956967	12970356					

			6	7	8			
Part name			Looper (L) (asm.)		Looper (R) (asm.)		Looper (C) (asm.)	
Needle gauge								
Code	inch	mm		Mark No.		Mark No.		Mark No.
E	7/32	5.6	12968558	1	12968855	1	12969150	1
F	1/4	6.4						
G	9/32	7.2						
H	5/16	8.0	12968657	2	12968954	2		
K	3/8	9.5						

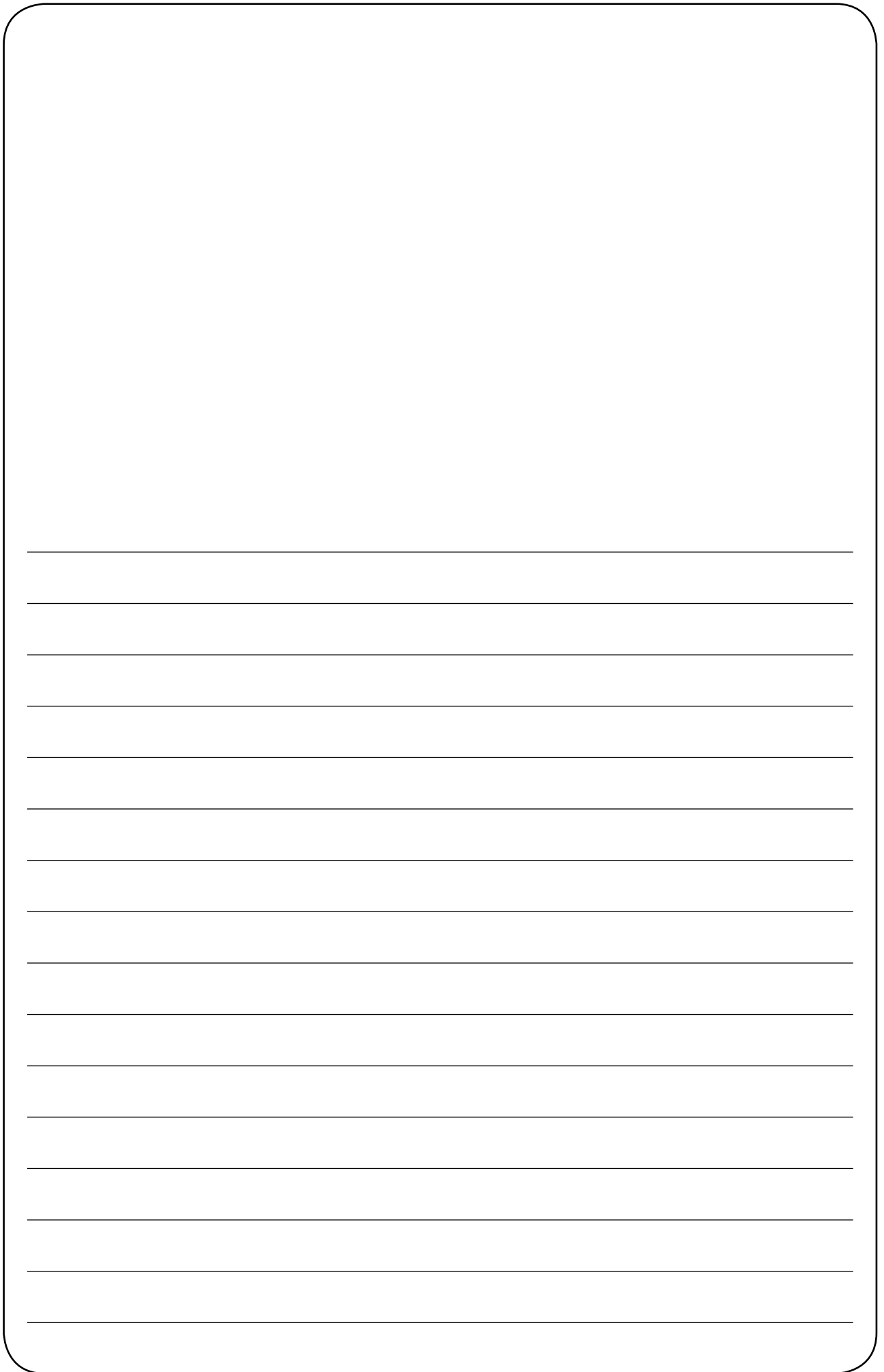
(3) Folder

			1	2	3
Part name			Folder (asm.)		
Needle gauge					
			Mark	M297 MH	M298 H
Code	inch	mm			
E	7/32	5.6	MAM2970DDBA	MAM2980AABA	MAM2990AABA
F	1/4	6.4	MAM2970EEBA	MAM2980BBBA	MAM2990BBBA
G	9/32	7.2	MAM2970FFBA	MAM2980CCBA	MAM2990CCBA
H	5/16	8.0	MAM2970GGBA	MAM2980DDBA	MAM2990DDBA
K	3/8	9.5	MAM2970HHBA	MAM2980EEBA	MAM2990EEBA

* A folder is not included in the gauge set.

Code of folder

- M297** — For medium-weight materials
(Equipped on MS-1261M as standard)
- M298** — For heavy-weight materials (Optional)
- M299** — For extra-heavy-weight materials
(Equipped on MS-1261 as standard)



DEUTSCH

DEUTSCH

ZUR GEWÄHRLEISTUNG DES SICHEREN GEBRAUCHS IHRER NÄHMASCHINE

Für eine Nähmaschine, automatische Maschine und Zusatzvorrichtungen (im Folgenden kollektiv als "Maschine" bezeichnet), ist es unerlässlich, die Näharbeit in der Nähe von beweglichen Teilen der Maschine durchzuführen. Dies bedeutet, dass stets die Möglichkeit besteht, versehentlich mit den beweglichen Teilen in Berührung zu kommen. Daher empfehlen wir dem Bedienungs- und Wartungspersonal, das sich mit der Bedienung, Wartung und Reparatur der Maschine befasst, dringend, vor der Benutzung/Wartung der Maschine die folgenden **Sicherheitshinweise** aufmerksam zu lesen und voll zu verstehen. Der Inhalt der **Sicherheitshinweise** schließt Punkte ein, die nicht in den technischen Daten Ihres Produkts enthalten sind.

Die Gefahrenbezeichnungen sind in die folgenden drei Kategorien eingeteilt, um die Bedeutung der Aufkleber zu verstehen. Machen Sie sich unbedingt mit der folgenden Beschreibung vertraut, und halten Sie sich genau an die Anweisungen.

(I) Erläuterung der Gefahrenstufen

	GEFAHR : Dieser Hinweis wird gegeben, wenn unmittelbare Lebens- oder Verletzungsgefahr besteht, falls die verantwortliche Person oder Dritte die Maschine falsch behandeln oder gefährliche Situationen während des Betriebs oder der Wartung der Maschine nicht vermeiden.
	WARNUNG : Dieser Hinweis wird gegeben, wenn die Möglichkeit für Lebens- oder Verletzungsgefahr besteht, falls die verantwortliche Person oder Dritte die Maschine falsch behandeln oder gefährliche Situationen während des Betriebs oder der Wartung der Maschine nicht vermeiden.
	VORSICHT : Dieser Hinweis wird gegeben, wenn die Gefahr mittelschwerer oder leichter Verletzungen besteht, falls die verantwortliche Person oder Dritte die Maschine falsch behandeln oder gefährliche Situationen während des Betriebs oder der Wartung der Maschine nicht vermeiden.
	Besonders zu beachtende Punkte

(II) Erläuterung der Bildwarnhinweise und Warnaufkleber

Bildwarnhinweis		Bei Berührung eines beweglichen Teils besteht Verletzungsgefahr.	Hinweis-aufkleber		Es besteht die Gefahr, vom Riemen erfasst zu werden, was zu Verletzungen führen kann.
		Bei Berührung eines Hochspannungsteils besteht Stromschlaggefahr.			Die korrekte Richtung wird angegeben.
		Bei Berührung eines heißen Teils besteht Verbrennungsgefahr.			Der Anschluss eines Erdungskabels wird angegeben.

- ❶ • Es besteht die Möglichkeit, dass leichte bis schwere Verletzungen oder Tod verursacht werden.
- Es besteht die Möglichkeit, dass Verletzungen durch Berührung beweglicher Teile verursacht werden.
- ❷ • Durchführung von Näharbeiten mit Schutzplatte.
- Durchführung von Näharbeiten mit Schutzabdeckung.
- Durchführung von Näharbeiten mit Schutzvorrichtung.
- ❸ • Schalten Sie unbedingt die Stromversorgung aus, bevor Sie „Einfädeln des Maschinenkopfs“, „Nadelwechsel“, „Spulenwechsel“ oder „Ölen und Reinigen“ ausführen.

SICHERHEITSHINWEISE

Ein Unfall bedeutet "die Verursachung von Verletzungen oder Tod oder Sachschäden".



GEFAHR

1. Sollte es notwendig sein, den Schaltkasten mit Elektroteilen zu öffnen, schalten Sie unbedingt die Stromversorgung aus, und warten Sie fünf Minuten oder länger, bevor Sie die Abdeckung öffnen, um einen Unfall zu verhüten, der zu einem Stromschlag führt.



VORSICHT

Grundsätzliche Vorsichtsmaßnahmen

1. Lesen Sie vor der Benutzung der Maschine unbedingt die Bedienungsanleitung und andere erläuternde Dokumente durch, die mit dem Zubehör der Maschine geliefert werden. Bewahren Sie die Bedienungsanleitung und die erläuternden Dokumente für schnelles Nachschlagen griffbereit auf.
2. Der Inhalt dieses Abschnitts schließt Punkte ein, die nicht in den technischen Daten Ihres Produkts enthalten sind.
3. Tragen Sie unbedingt eine Schutzbrille, um sich vor Unfällen zu schützen, die durch Nadelbruch verursacht werden.
4. Personen, die einen Herzschrittmacher benutzen, sollten vor der Benutzung der Maschine einen Facharzt konsultieren.

Sicherheitsvorrichtungen und Warnaufklebe

1. Betreiben Sie die Maschine erst, nachdem Sie sich vergewissert haben, dass die Sicherheitsvorrichtungen korrekt installiert sind und normal funktionieren, um durch Fehlen der Vorrichtungen verursachte Unfälle zu verhüten.
2. Wird eine der Sicherheitsvorrichtungen entfernt, achten Sie darauf, dass sie ersetzt wird und normal funktioniert, um Unfälle zu verhüten, die zu Verletzungen oder Tod führen können.
3. Sorgen Sie dafür, dass die an der Maschine angebrachten Warnaufkleber deutlich sichtbar sind, um Unfälle zu verhüten, die zu Verletzungen oder Tod führen können. Falls einer der Aufkleber verschmutzt ist oder sich gelöst hat, ersetzen Sie ihn unbedingt durch einen neuen.

Anwendung und Modifizierung

1. Benutzen Sie die Maschine niemals für andere Anwendungen als die vorgesehene und auf irgendeine Weise, die von der Beschreibung in dieser Anleitung abweicht, um Unfälle zu verhüten, die zu Verletzungen und Tod führen können.
JUKI übernimmt keine Verantwortung für Schäden, Verletzungen oder Todesfälle, die durch zweckfremden Gebrauch der Maschine entstehen.
2. Unterlassen Sie jegliche Modifikationen und Abänderungen der Maschine, um Unfälle zu verhüten, die zu Verletzungen oder Tod führen können.
JUKI übernimmt keine Verantwortung für Schäden, Verletzungen oder Todesfälle, die auf den Gebrauch einer modifizierten oder abgeänderten Maschine zurückzuführen sind.

Ausbildung und Schulung

1. Um Unfälle zu verhüten, die aus Unvertrautheit mit der Maschine resultieren, darf die Maschine nur von Personen benutzt werden, die vom Arbeitgeber hinsichtlich des Maschinenbetriebs und der sicheren Bedienung der Maschine geschult/ausgebildet wurden, um entsprechendes Fachwissen und Bedienungsfertigkeiten zu erwerben. Um dies zu gewährleisten, muss der Arbeitgeber einen Ausbildungs-/Schulungsplan für das Bedienungspersonal aufstellen und dieses vorher ausbilden/schulen.

Vorgänge, für die die Stromversorgung der Maschine ausgeschaltet werden muss

Ausschalten der Stromversorgung: Ausschalten des Netzschalters, dann Abziehen des Netzsteckers von der Steckdose. Dies gilt für Folgendes.

1. Schalten Sie sofort die Stromversorgung aus, falls Sie irgendeine Unregelmäßigkeit oder Störung feststellen, oder bei einem Stromausfall, um Unfälle zu verhüten, die zu Verletzungen oder Tod führen können.
2. Um Unfälle zu verhüten, die durch plötzliches Anlaufen der Maschine entstehen, führen Sie nach dem Ausschalten der Stromversorgung die folgenden Vorgänge aus. Führen Sie besonders für Maschinen mit eingebautem Kupplungsmotor nach dem Ausschalten der Stromversorgung die folgenden Vorgänge aus, und vergewissern Sie sich, dass die Maschine vollkommen stillsteht.
 - 2-1. Zum Beispiel Einfädeln von Teilen, wie Nadel, Greifer, Spreizer usw., die eingefädelt werden müssen, oder Wechseln der Spule.
 - 2-2. Zum Beispiel Austauschen oder Einstellen aller Komponenten der Maschine.
 - 2-3. Zum Beispiel bei Überprüfung, Reparatur oder Reinigung der Maschine, oder bei Verlassen der Maschine.
3. Halten Sie beim Abziehen des Netzstecker den Stecker, nicht das Kabel, um Stromschlag, Kriechstrom oder Brand zu verhüten.
4. Schalten Sie unbedingt die Stromversorgung aus, wann immer Sie die Maschine zwischen Arbeiten unbeaufsichtigt lassen.
5. Schalten Sie bei einem Stromausfall unbedingt die Stromversorgung aus, um Unfälle zu verhüten, die durch Beschädigung von Elektrokomponenten entstehen.

IN VERSCHIEDENEN BETRIEBSPHASEN ZU TREFFENDE VORKEHRUNGEN

Transport

1. Heben und transportieren Sie die Maschine auf sichere Weise, wobei Sie das Maschinengewicht berücksichtigen. Angaben zum Gewicht der Maschine finden Sie im Text der Bedienungsanleitung.
2. Treffen Sie ausreichende Sicherheitsmaßnahmen, um Herunterfallen oder Umkippen der Maschine zu verhüten, bevor Sie die Maschine anheben oder transportieren, um Unfälle zu verhüten, die zu Verletzungen oder Tod führen können.
3. Nachdem die Maschine ausgepackt worden ist, darf sie für den Transport keinesfalls wieder verpackt werden, um sie vor Beschädigung durch unvorhersehbaren Unfall oder Fallenlassen zu schützen.

Auspacken

1. Packen Sie die Maschine in der vorgeschriebenen Reihenfolge aus, um Unfälle zu verhüten, die zu Verletzungen oder Tod führen können. Achten Sie besonders bei Maschinen, die in Kisten geliefert werden, auf Nägel. Die Nägel müssen vorher entfernt werden.
2. Überprüfen Sie die Maschine auf ihren Schwerpunkt hin, und nehmen Sie sie vorsichtig aus der Verpackung, um Unfälle zu verhüten, die zu Verletzungen oder Tod führen können.

Installation

(I) Tisch und Tischständer

1. Verwenden Sie den Original-JUKI-Tisch und -Tischständer, um Unfälle zu verhüten, die zu Verletzungen oder Tod führen können. Lässt sich die Verwendung eines markenfremden Tisches und Tischständers nicht vermeiden, wählen Sie einen Tisch und Tischständer aus, die in der Lage sind, dem Maschinengewicht und der Reaktionskraft während des Betriebs standzuhalten.
2. Sind Laufrollen für den Tischständer notwendig, benutzen Sie Laufrollen mit Sperrmechanismus, und verriegeln Sie diese, damit die Maschine während Betrieb, Wartung, Überprüfung und Reparatur gesichert ist, um Unfälle zu verhüten, die zu Verletzungen oder Tod führen können.

(II) Kabel und Verdrahtung

1. Vermeiden Sie übermäßige Belastung des Kabels während der Benutzung, um Stromschlag, Kriechstrom oder Brand zu verhüten. Ist es außerdem notwendig, das Kabel in der Nähe des Betriebsabschnitts, wie z. B. dem Keilriemen, zu verlegen, halten Sie einen Abstand von mindestens 30 mm zwischen dem Betriebsabschnitt und dem Kabel ein.
2. Vermeiden Sie Mehrfachanschlüsse, um Stromschlag, Kriechstrom oder Brand zu verhüten.
3. Schließen Sie die Stecker einwandfrei an, um Stromschlag, Kriechstrom oder Brand zu verhüten. Halten Sie außerdem beim Abziehen des Kabels nur den Stecker.

(III) Erdung

1. Lassen Sie einen geeigneten Netzstecker von einem Elektriker installieren, um durch Kriechstrom oder Durchschlag verursachte Unfälle zu verhüten. Schließen Sie außerdem den Netzstecker nur an eine geerdete Steckdose an.
2. Erden Sie das Erdungskabel korrekt, um durch Kriechstrom verursachte Unfälle zu verhüten.

(IV) Motor

1. Verwenden Sie einen Motor mit der vorgeschriebenen Nennbelastung (Original-JUKI-Produkt), um durch Überlastung verursachte Unfälle zu verhüten.
2. Wird ein handelsüblicher Kupplungsmotor mit der Maschine verwendet, wählen Sie einen mit Riemenscheiben-Schutzabdeckung aus, um Hängenbleiben am Keilriemen zu verhüten.

Vor dem Betrieb

1. Vergewissern Sie sich, dass die Stecker und Kabel frei von Beschädigung, Störungen und Lockerheit sind, bevor Sie die Stromversorgung einschalten, um Unfälle zu verhüten, die zu Verletzungen oder Tod führen können.
2. Halten Sie niemals Ihre Hand in die beweglichen Abschnitte der Maschine, um Unfälle zu verhüten, die zu Verletzungen oder Tod führen können. Stellen Sie außerdem sicher, dass die Drehrichtung der Riemenscheibe mit dem Pfeil auf der Riemenscheibe übereinstimmt.
3. Wird ein Tischständer mit Laufrollen verwendet, sichern Sie den Tischständer durch Verriegeln der Laufrollen oder mit Einstellern, falls vorhanden, um durch plötzliches Anlaufen der Maschine verursachte Unfälle zu verhüten.

Während des Betriebs

1. Bringen Sie während des Betriebs der Maschine nicht Ihre Finger, Haare oder Kleidung in die Nähe von beweglichen Teilen, wie z. B. Handrad, Riemenscheibe und Motor, und legen Sie auch keine Gegenstände in der Nähe dieser Teile ab, um Unfälle durch Hängenbleiben zu verhüten, die zu Verletzungen oder Tod führen können.
2. Halten Sie Ihre Finger beim Einschalten der Stromversorgung oder während des Betriebs der Maschine nicht in die Umgebung der Nadel oder in die Fadenhebelabdeckung, um Unfälle zu verhüten, die zu Verletzungen oder Tod führen können.
3. Die Maschine läuft mit hoher Drehzahl. Halten Sie während des Betriebs niemals Ihre Hände in die Nähe von beweglichen Teilen, wie Schleifenfänger, Spreizer, Nadelstange, Greifer und Stoffmesser, um Ihre Hände vor Verletzungen zu schützen. Schalten Sie außerdem die Stromversorgung aus, und vergewissern Sie sich, dass die Maschine vollkommen stillsteht, bevor Sie den Faden wechseln.
4. Achten Sie darauf, dass Ihre Finger oder andere Körperteile nicht zwischen Maschine und Tisch eingeklemmt werden, wenn Sie die Maschine vom Tisch entfernen oder darauf stellen, um Unfälle zu verhüten, die zu Verletzungen oder Tod führen können.
5. Schalten Sie die Stromversorgung aus, und vergewissern Sie sich, dass Maschine und Motor vollkommen stillstehen, bevor Sie Riemenabdeckung und Keilriemen entfernen, um durch plötzliches Anlaufen von Maschine oder Motor verursachte Unfälle zu verhüten.

6. Wird ein Servomotor mit der Maschine verwendet, erzeugt der Motor bei Stillstand der Maschine kein Geräusch. Vergessen Sie nicht, die Stromversorgung auszuschalten, um durch plötzliches Anlaufen des Motors verursachte Unfälle zu verhüten.
7. Benutzen Sie die Maschine niemals mit blockierter Kühlungsöffnung des Motorschaltkastens, um einen Brand durch Überhitzung zu verhüten.

Schmierung

1. Verwenden Sie unbedingt Original-JUKI-Öl und -Fett auf den zu schmierenden Teilen.
2. Falls Öl in Ihre Augen oder auf Ihren Körper gelangt, waschen Sie es sofort ab, um Entzündung oder Hautreizung zu verhüten.
3. Wird das Öl versehentlich verschluckt, konsultieren Sie sofort einen Arzt, um Durchfall oder Erbrechen zu verhüten.



Wartung


1. Um einen durch Unvertrautheit mit der Maschine verursachten Unfall zu verhüten, müssen Reparaturen und Einstellungen von einem Wartungstechniker ausgeführt werden, der innerhalb des in der Bedienungsanleitung beschriebenen Rahmens mit der Maschine gründlich vertraut ist. Verwenden Sie unbedingt Original-JUKI-Teile als Ersatzteile der Maschine. JUKI übernimmt keine Verantwortung für Unfälle, die auf unsachgemäße Reparatur oder Einstellung oder den Gebrauch markenfremder Teile zurückzuführen sind.
2. Um durch Unvertrautheit mit der Maschine oder Stromschlag verursachte Unfälle zu verhüten, überlassen Sie Reparatur- und Wartungsarbeiten von Elektrokomponenten (einschließlich Verkabelung) einem Elektriker Ihrer Firma oder von JUKI oder Ihrem Händler.
3. Sind Reparatur- oder Wartungsarbeiten an einer Maschine notwendig, die luftgetriebene Teile, wie z. B. einen Luftzylinder, verwendet, entfernen Sie unbedingt die Luftversorgungsleitung, um vorher die in der Maschine verbleibende Restluft abzulassen, um durch plötzliches Anlaufen der luftgetriebenen Teile verursachte Unfälle zu verhüten.
4. Vergewissern Sie sich nach einer Reparatur, einer Einstellung und einem Teilewechsel, dass die Schrauben und Muttern fest sitzen.
5. Unterziehen Sie die Maschine während ihrer Benutzungsdauer einer regelmäßigen Reinigung. Schalten Sie unbedingt die Stromversorgung aus, und vergewissern Sie sich, dass Maschine und Motor vollkommen stillstehen, bevor Sie die Maschine reinigen, um durch plötzliches Anlaufen von Maschine oder Motor verursachte Unfälle zu verhüten.
6. Schalten Sie unbedingt die Stromversorgung aus, und vergewissern Sie sich, dass Maschine und Motor vollkommen stillstehen, bevor Sie Wartungs-, Inspektions- oder Reparaturarbeiten an der Maschine ausführen. (Bei Maschinen mit Kupplungsmotor läuft der Motor auch nach dem Ausschalten aufgrund der Trägheit noch eine Weile weiter. Lassen Sie daher Sorgfalt walten.)
7. Falls die Maschine nach einer Reparatur oder Einstellung nicht normal betrieben werden kann, halten Sie sofort den Betrieb an, und kontaktieren Sie JUKI oder Ihren Händler bezüglich einer Reparatur, um Unfälle zu verhüten, die zu Verletzungen oder Tod führen können.
8. Falls die Sicherung durchgebrannt ist, schalten Sie die Stromversorgung aus, und beseitigen Sie die Ursache für das Durchbrennen der Sicherung. Ersetzen Sie dann die Sicherung durch eine neue, um Unfälle zu verhüten, die zu Verletzungen oder Tod führen können.
9. Reinigen Sie die Entlüftungsöffnung des Lüfters regelmäßig, und überprüfen Sie den Bereich um die Verkabelung, um einen Brand des Motors zu verhüten.

Betriebsumgebung


1. Benutzen Sie die Maschine in einer Umgebung, die nicht von starken Störquellen (elektromagnetischen Wellen), wie z. B. Hochfrequenzschweißer, beeinflusst ist, um durch eine Funktionsstörung der Maschine verursachte Unfälle zu verhüten.
2. Betreiben Sie die Maschine niemals an einem Ort, wo die Spannung um mehr als "Nennspannung $\pm 10\%$ " schwankt, um durch eine Funktionsstörung der Maschine verursachte Unfälle zu verhüten.
3. Prüfen Sie unbedingt, ob eine luftgetriebene Vorrichtung, wie z. B. ein Luftzylinder, mit dem vorgeschriebenen Luftdruck arbeitet, bevor Sie diese benutzen, um durch eine Funktionsstörung der Maschine verursachte Unfälle zu verhüten.
4. Um die Sicherheit der Maschine zu gewährleisten, betreiben Sie sie in einer Umgebung, welche die folgenden Bedingungen erfüllt:
 Umgebungstemperatur während des Betriebs 5°C bis 35°C
 Relative Luftfeuchtigkeit während des Betriebs 35% bis 85%
5. Taukondensation kann auftreten, wenn die Maschine plötzlich von einem kalten zu einem warmen Ort gebracht wird. Schalten Sie daher die Stromversorgung erst ein, nachdem Sie ausreichend lange gewartet haben, bis keine Anzeichen von Wassertropfen mehr vorhanden sind, um durch Beschädigung oder Funktionsstörung der elektrischen Komponenten verursachte Unfälle zu verhüten.
6. Halten Sie die Maschine bei einem Gewitter aus Sicherheitsgründen an, und ziehen Sie den Netzstecker ab, um durch Beschädigung oder Funktionsstörung der elektrischen Komponenten verursachte Unfälle zu verhüten.
7. Abhängig von den Funkwellen-Signalbedingungen kann die Maschine Störungen in Fernsehgeräten oder Radios erzeugen. Sollte dies eintreten, benutzen Sie das Fernsehgerät oder Radio in ausreichendem Abstand von der Maschine.
8. Arbeiter, die in einer Umgebung arbeiten müssen, in welcher der "Geräuschpegel am Arbeitsplatz 85 dB oder mehr und weniger als 90 dB " beträgt, sollten bei Bedarf entsprechende Maßnahmen, wie die Verwendung von Gehörschützern o. Ä., ergreifen, um sich vor Gesundheitsschäden zu schützen. Darüber hinaus sollten Arbeiter, die in einer Umgebung arbeiten müssen, in welcher der "Geräuschpegel am Arbeitsplatz 90 dB oder mehr" beträgt, angewiesen werden, ausnahmslos Gehörschützer zu tragen, um sich vor Gesundheitsschäden zu schützen. Außerdem sollte an einem für die Arbeiter gut sichtbaren Ort ein Schild aufgehängt werden, das den Gebrauch von Gehörschützern erklärt.
9. Entsorgen Sie die Verpackungen der Nähmaschine und verbrauchtes Schmieröl gemäß den zutreffenden Gesetzen Ihres Landes.

FÜR SICHEREN BETRIEB

	<ol style="list-style-type: none">1. Halten Sie beim Einschalten des Netzschalters oder während des Betriebs der Maschine Ihre Hände von der Nadel fern.2. Fassen Sie während des Betriebs der Maschine nicht mit Ihren Fingern hinter die Fadenhebelabdeckung.3. Halten Sie Finger, Kopf, Haare oder Kleidung aus dem Bereich von Handrad und Fadenhebel fern, bzw. halten Sie diesen Bereich während des Betriebs der Nähmaschine sauber.4. Betreiben Sie die Nähmaschine nicht ohne die Riemenabdeckung und den Fingerschutz.
	<ol style="list-style-type: none">1. Vergewissern Sie sich aus Sicherheitsgründen vor der Inbetriebnahme der Nähmaschine, daß der Erdleiter des Netzkabels geerdet ist.2. Schalten Sie vor dem Einstecken/Abziehen des Netzsteckers grundsätzlich den Netzschalter aus.3. Brechen Sie bei Gewitter die Arbeit ab, und ziehen Sie zur Sicherheit den Netzstecker von der Steckdose ab.4. Wenn die Maschine direkt von einem kalten zu einem warmen Ort gebracht wird, kann es zu Kondenswasserbildung kommen. Schalten Sie die Maschine erst ein, nachdem Sie sich vergewissert haben, daß keine Gefahr von Kondenswasserbildung besteht.5. Um Brände zu verhüten, ziehen Sie gelegentlich den Netzstecker aus der Steckdose, und reinigen Sie die Basis der Stifte und den Zwischenraum zwischen den Stiften.6. Der Greifer rotiert während des Betriebs der Nähmaschine mit hoher Geschwindigkeit. Um Ihre Hände vor Verletzung zu schützen, halten Sie sie vom Greiferbereich fern. Schalten Sie außerdem die Stromversorgung aus, bevor Sie den Maschinenkopf einfädeln.7. Um mögliche Unfälle durch plötzliches Anlaufen der Maschine zu vermeiden, schalten Sie unbedingt die Stromversorgung der Maschine aus.8. Behandeln Sie dieses Produkt mit Sorgfalt, um kein Wasser oder Öl darauf zu verschütten oder es durch Fallenlassen zu erschüttern usw., da es sich um ein Präzisionsinstrument handelt.

 **VORSICHT :**
Beachten Sie, daß Sicherheitsvorrichtungen wie Augenschutz, Fingerschutz usw. zur besseren Darstellung der beschriebenen Teile in den Abbildungen dieser Betriebsanleitung fehlen können. Sie sollten jedoch die Maschine niemals ohne diese Sicherheitsvorrichtungen betreiben.

VOR DEM BETRIEB

 **VORSICHT :**
Prüfen Sie die folgenden Punkte, um Funktionsstörungen und eine Beschädigung der Maschine zu vermeiden.

- Die Maschine sollte vor dem erstmaligen Betrieb nach der Aufstellung gründlich gereinigt werden. Entfernen Sie allen Staub, der sich während des Transports abgesetzt hat, und auch Öl.
- Überprüfen Sie, daß die Spannung richtig eingestellt ist und der Netzstecker fest in die Netzsteckdose eingesteckt ist.
- Benutzen Sie die Maschine niemals, wenn die Netzspannung nicht der Nennspannung entspricht.
- Die normale Drehrichtung der Maschine ist die Drehung im Gegenuhrzeigersinn, von der Scheibenseite aus gesehen. Achten Sie darauf, daß sich die Maschine nicht in der entgegengesetzten Richtung dreht.
- Betreiben Sie die Nähmaschine niemals, wenn sie nicht ausreichend geschmiert ist.
- Zum Betrieb muss die Nähmaschine auf dem Tisch installiert werden. Schalten Sie dann den Netzschalter ein.
- Entfernen Sie Fäden von Maschinenkopf und Greifer vor Beginn eines Probelaufs.
- Benutzen Sie Ihre Nähmaschine während des ersten Monats nach der Installation mit herabgesetzter Nähgeschwindigkeit von maximal 2.800 sti/min.
- Betätigen Sie das Handrad erst, nachdem die Maschine zum völligen Stillstand gekommen ist.

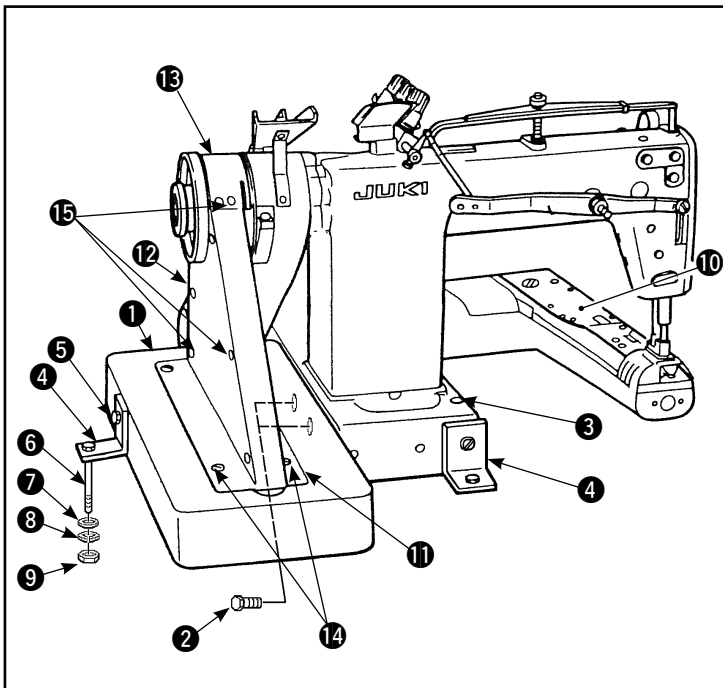
INHALT

TECHNISCHE DATEN	1
1. EINRICHTEN DER NÄHMASCHINE	1
2. EINSTELLEN DER RIEMENSPIANNUNG	2
3. INSTALLIEREN DES GARNSTÄNDERS	2
4. ANBRINGEN DES KNIEHEBERS	2
5. SCHMIERUNG	3
6. ANBRINGEN EINER NADEL	3
7. EINFÄDELN DES MASCHINENKOPFES	4
8. FADENSPIANNUNG	4
9. EINSTELLEN DES DRUCKS DES DRÜCKERFUSSES	5
10. EINSTELLEN DER STICHLÄNGE	5
11. EINSTELLEN DES NADELSCHUTZES	6
12. EINSTELLEN DES GREIFERNOCKENS	6
13. HÖHE DES TRANSPORTEURS	7
14. STEUERUNG ZUR LÖSUNG DER NADELFADENSPIANNUNG	7
15. EINSTELLEN DES AUFNAHMEFADENSPIANNUNG-STEUERHEBELS	7
16. POSITION VON ZWISCHENFADENSPIANNUN-FREIGABEBEBEL UND FADENFÜHRUNG DES NADELFADENSPIANNUNGSREGLERS	8
17. NÄHGESCHWINDIGKEIT UND MOTORRIEMENSCHIBE	8
18. AUSTAUSCHLEHREN-TABELLE	9

TECHNISCHE DATEN

Modell	MS-1261	MS-1261M
Anwendung	Für schweres - besonders schweres Material	Für mittelschweres - schweres Material
Anzahl der Nadeln	3	
Nähgeschwindigkeit	Max. 3.600 sti/min (normal 3.000 sti/min)	
Nadel	ORGAN UY x 128GAS-NY Nr. 16 - Nr. 22 (standard Nr. 21)	ORGAN UY x 128GAS-NY Nr. 16 - Nr. 22 (standard Nr. 19)
	SCHMETZ UY-128GAS Nm. 100 - Nm. 140 (standard Nm. 130)	SCHMETZ UY-128GAS Nm. 100 - Nm. 140 (standard Nm. 120)
Höhe des Drückerfußes	10 mm	
Stitchlänge	1,4 bis 4,2 mm (mit Stoffzieher)	
Nadellehre	7/32", 1/4", 9/32", 5/16", 3/8"	
Zylinderumfang	194 mm	
Schmieröl	JUKI New Defrix Oil No.1	
Lärm	- Entsprechender kontinuierlicher Emissions-Schalldruckpegel (L_{pA}) am Arbeitsplatz: A-bewerteter Wert von 83,0 dB; (einschließlich $K_{pA} = 2,5$ dB); gemäß ISO 10821- C.6.2 -ISO 11204 GR2 bei 3.600 sti/min. - Schalleistungspegel (L_{WA}): A-bewerteter Wert von 92,5 dB; (einschließlich $K_{WA} = 2,5$ dB); gemäß ISO 10821- C.6.2 -ISO 11204 GR2 bei 3.600 sti/min.	

1. EINRICHTEN DER NÄHMASCHINE



- 1) Tragen Sie die Nähmaschine unbedingt mit zwei Personen. **(Vorsicht) Halten Sie nicht die Riemenscheibe.**
- 2) Legen Sie keine spitzen Gegenstände, wie z. B. einen Schraubendreher, auf die Stelle, wo die Nähmaschine installiert werden soll.
- 3) Die Riemenschutzbasis ❶ mit der Innensechskantschraube ❷ an der Nähmaschine befestigen.
- 4) Die Nähmaschine auf den Tisch setzen und ihre Position festlegen (Riemennut und Durchgangsloch ❸ zur Durchführung der Drückerstangen-Heberkette).
- 5) Zwei Maschinenkopf-Stützplatten ❹ mit den Schrauben ❺ an der Nähmaschine befestigen. Die Platten mit Sechskantschraube ❻, Unterlegscheibe ❼, Federscheibe ❽ und Mutter ❾ am Tisch befestigen.
- 6) Eine Wasserwaage in Quer- und Längsrichtung auf die Bettseitenplatte ❿ legen, um zu prüfen, ob die Nähmaschine einwandfrei horizontal platziert ist.
- 7) Riemenabdeckung ❾, Keilriemen, Riemenabdeckungsdeckel ❿ und Schutzhaube ⓫ an der Nähmaschine anbringen und mit den Schrauben ❼ und ⓫ befestigen.

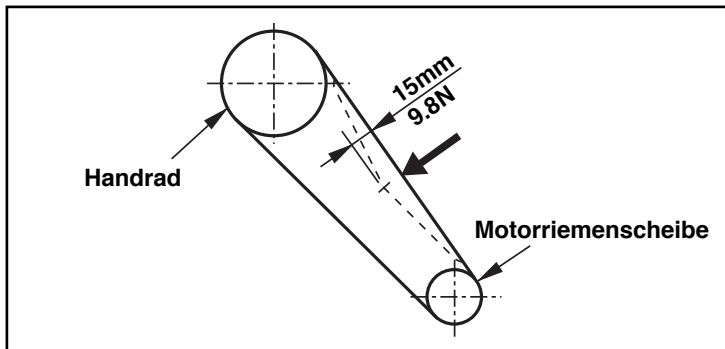
Bei der Installation der Riemenabdeckung die Schraube zunächst provisorisch eindrehen. Dann die Schraube nach der Installation aller zugehörigen Teile festziehen.

2. EINSTELLEN DER RIEMENSPIANNUNG



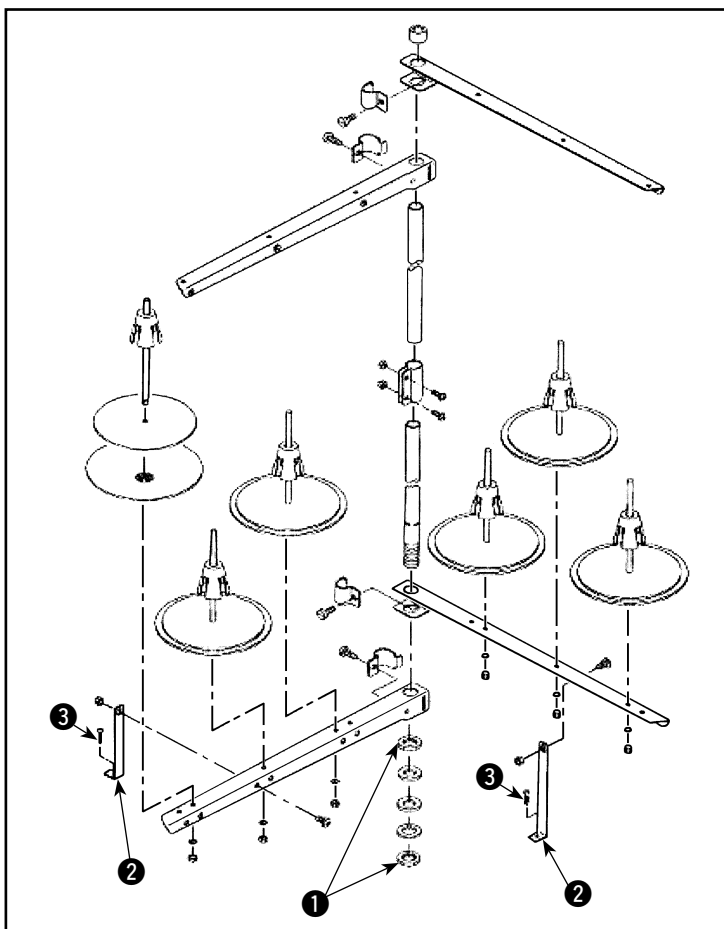
WARNUNG :

Um durch plötzliches Anlaufen der Nähmaschine verursachte Verletzungen zu vermeiden, führen Sie die folgende Arbeit erst aus, nachdem Sie den Netzschalter ausgeschaltet und sich vergewissert haben, daß der Motor vollkommen stillsteht.



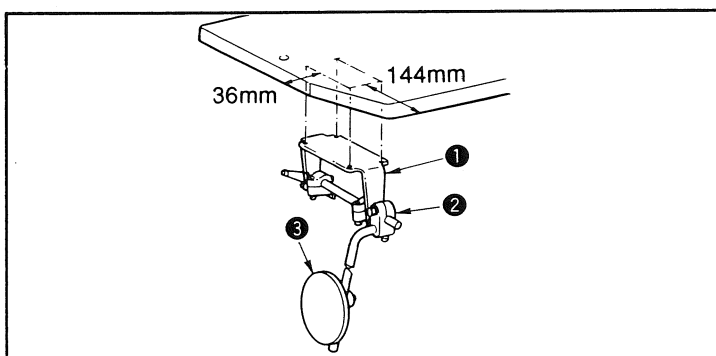
Stellen Sie die Riemenspannung mit der Höhe des Motors so ein, dass der Riemen einen Durchhang von 15 mm hat, wenn ein Druck von 9,8 N auf die Mitte des Keilriemens ausgeübt wird.

3. INSTALLIEREN DES GARNSTÄNDERS



- 1) Die Garnständervorrichtung zusammenbauen. Die Vorrichtung in das Loch im Tisch einsetzen. Die Sicherungsmutter **1** so weit anziehen, dass der Garnständer nicht schwankt.
- 2) Die Garnständerhalterung **2** mit einer Holzschraube **3** am Tisch befestigen.

4. ANBRINGEN DES KNIEHEBERS



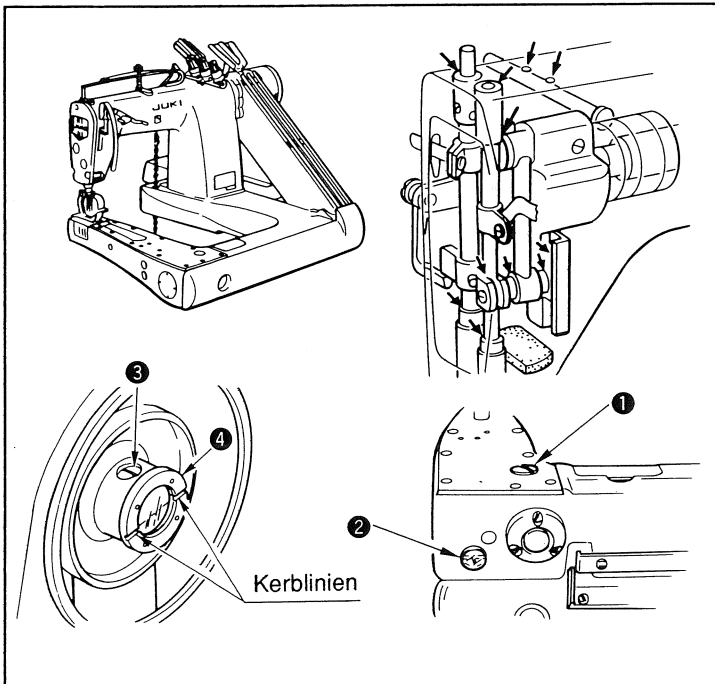
- 1) Den Knieheber-Montagesockel (Bg.) **1** mit Holzschrauben an der Unterseite des Tisches befestigen.
- 2) Kniestück-Vertikalwelle (Bg.) **3** und Kniestück-Vertikalwellen-Befestigungsarm **2** zusammenbauen. Dann die Teile in einer Position befestigen, in der das Kniestück mühelos betätigt werden kann.

5. SCHMIERUNG



WARNUNG :

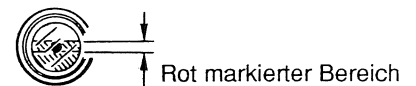
Um durch plötzliches Anlaufen der Nähmaschine verursachte Verletzungen zu vermeiden, führen Sie die folgende Arbeit erst aus, nachdem Sie den Netzschalter ausgeschaltet und sich vergewissert haben, daß der Motor vollkommen stillsteht.



★Vor Betätigung der Nähmaschine

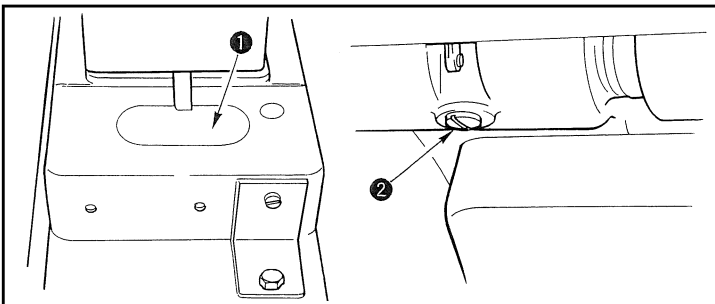
- 1) Die Schraube ① von der Schmieröffnung entfernen. New Defrix Oil Nr. 1 durch die Öffnung einfüllen, bis das Öl die Markierung am Ölsichtfenster ② erreicht.
- 2) Das Handrad drehen, bis die Kerblinien am Ölbecher ④ eben sind. Nun die Schraube ③ von der Schmieröffnung entfernen und Öl einfüllen, bis das Öl die Kerblinien am Ölbecher (ca. die Hälfte des Öl-Fassungsvermögens des Bechers) erreicht.
- 3) Die Nähmaschine einige Minuten lang laufen lassen, dann die Ölmenge nachkontrollieren. Bei unzureichender Ölmenge soviel Öl nachfüllen, bis die Maschine mit der richtigen Ölmenge gefüllt ist.
- 4) Wenn die Nähmaschine längere Zeit nicht verwendet worden ist, den mit einem Pfeil (←) markierten Abschnitt mit einigen Tropfen Öl schmieren.

(Vorsicht) Nach der Installation der Maschine bzw. nach längerem Nichtgebrauch vor Inbetriebnahme zuerst den Ölbecher ganz mit Öl füllen. Sicherstellen, daß sich der Ölstand stets innerhalb des rot markierten Bereichs am Ölsichtfenster befindet.



★Ablassen von Öl

- 1) Wenn sich Öl in der Nut ① des Ölbehälters angesammelt hat, dieses mit Lappen abwischen.
- 2) Öl, das sich im Bett angesammelt hat, von Zeit zu Zeit durch Entfernen der Abdeckung ② vom Ablaßloch in der Greiferantriebswelle abziehen.

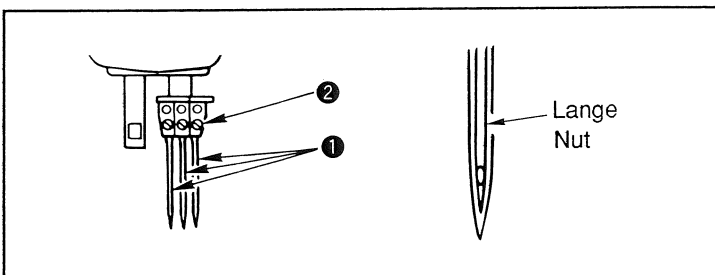


6. ANBRINGEN EINER NADEL



WARNUNG :

Um durch plötzliches Anlaufen der Nähmaschine verursachte Verletzungen zu vermeiden, führen Sie die folgende Arbeit erst aus, nachdem Sie den Netzschalter ausgeschaltet und sich vergewissert haben, daß der Motor vollkommen stillsteht.



Die Nadelnummer gemäß Dicke des zu verwendenden Fadens und Typ des jeweiligen Materials wählen.

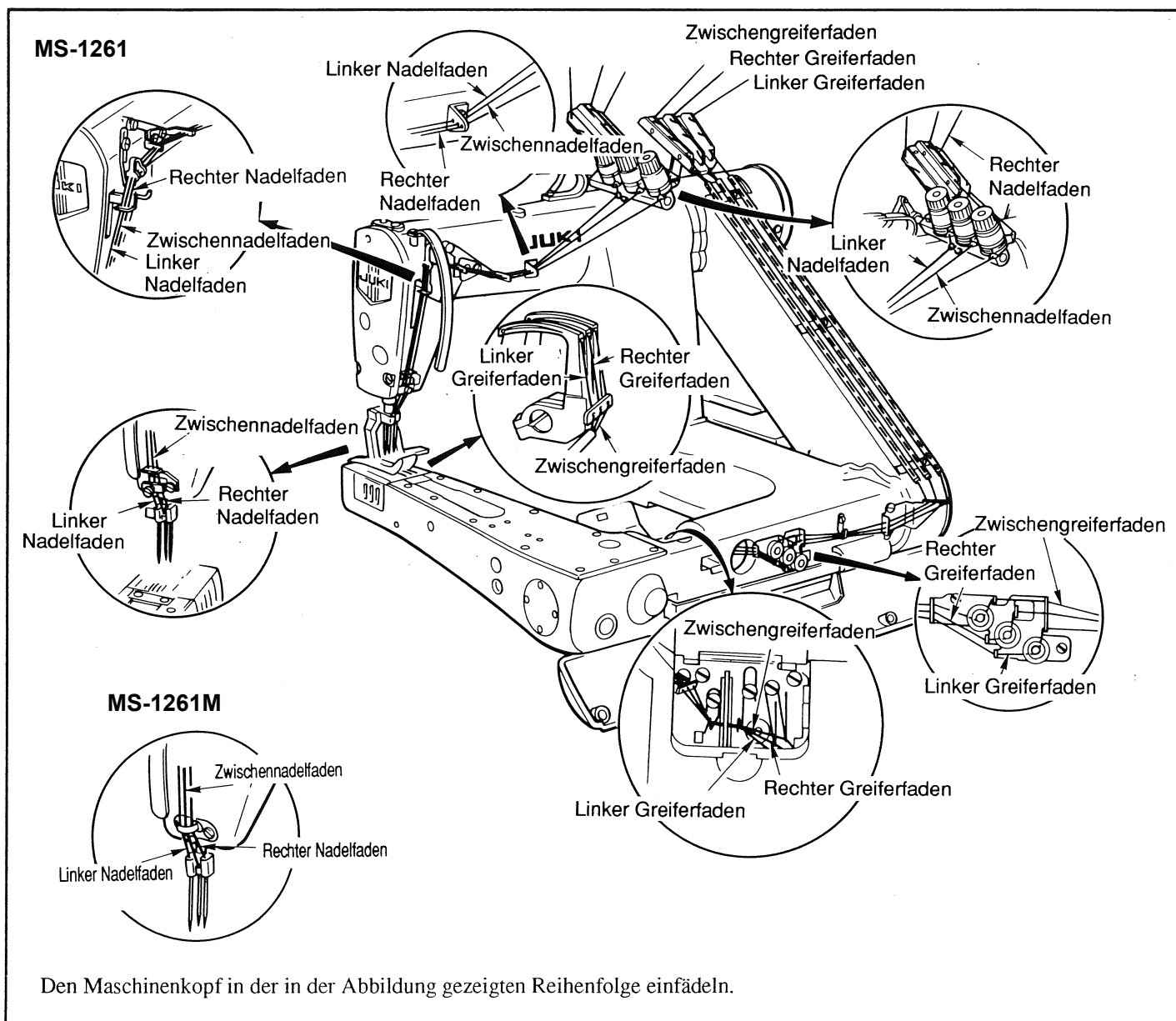
- 1) Das Handrad drehen, bis die Nadelstange die höchste Position ihres Hubs erreicht.
- 2) Die Schraube ② in der Nadelklemme lösen, und die Nadeln ① so drehen, daß die lange Nut der jeweiligen Nadel nach vorne gebracht wird.
- 3) Die Nadeln bis zum Anschlag in das Nadelklemmenloch einsetzen.
- 4) Die Nadelspannschraube ② einwandfrei anziehen.

7. EINFÄDELN DES MASCHINENKOPFES



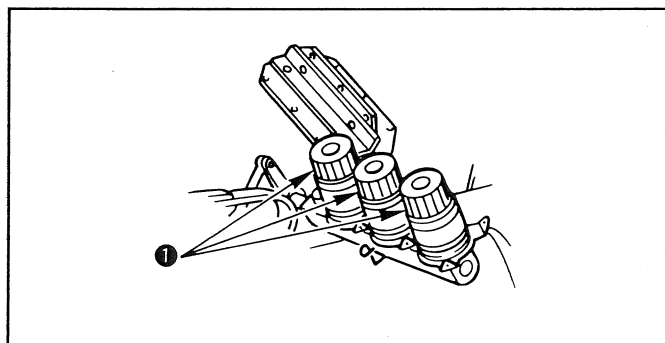
WARNUNG :

Um durch plötzliches Anlaufen der Nähmaschine verursachte Verletzungen zu vermeiden, führen Sie die folgende Arbeit erst aus, nachdem Sie den Netzschalter ausgeschaltet und sich vergewissert haben, daß der Motor vollkommen stillsteht.



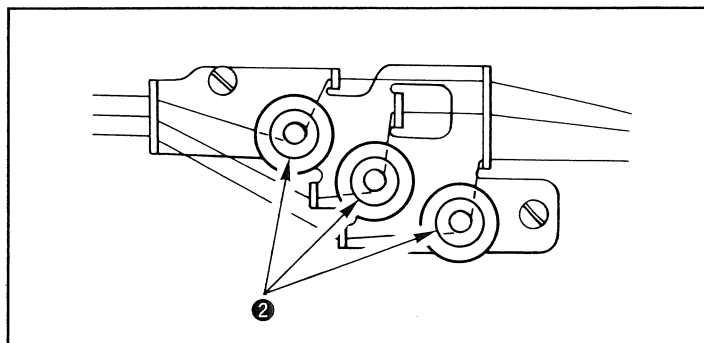
Den Maschinenkopf in der in der Abbildung gezeigten Reihenfolge einfädeln.

8. FADENSINNUNG



(1) Einstellen der Nadelfadenspannung

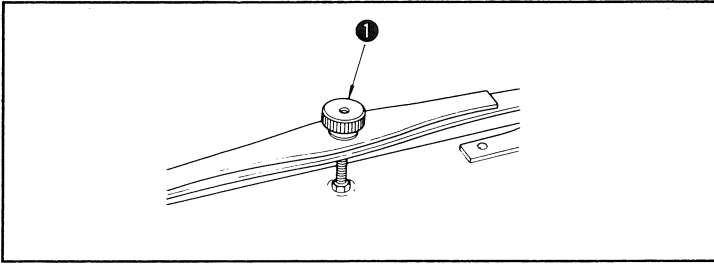
Durch Drehen der Spannungsmuttern ① im Uhrzeigersinn wird die Nadelfadenspannung erhöht. Durch Drehen im Gegenuhrzeigersinn wird die Nadelfadenspannung vermindert.



(2) Einstellen der Greiferfadenspannung

Durch Drehen der Greiferfadenspannungs-Einstellknöpfe ② im Uhrzeigersinn wird die Greiferfadenspannung erhöht. Durch Drehen im Gegenuhrzeigersinn wird die Greiferfadenspannung vermindert.

9. EINSTELLEN DES DRUCKS DES DRÜCKERFUßES



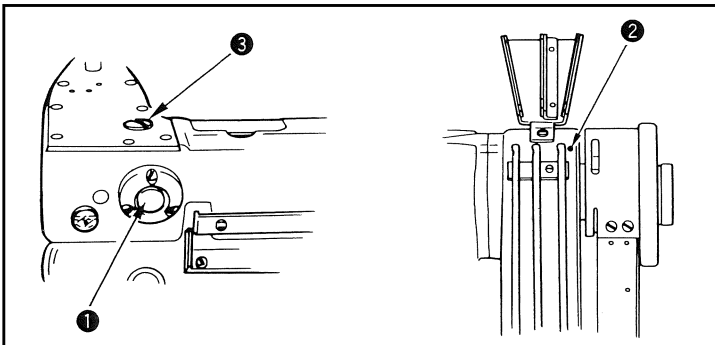
Den Drückfederregler ❶ im Uhrzeigersinn drehen, um den Druck des Druckerfußes zu erhöhen. Durch Drehen im Gegenuhrzeigersinn wird der Druck vermindert.

10. EINSTELLEN DER STICHLÄNGE

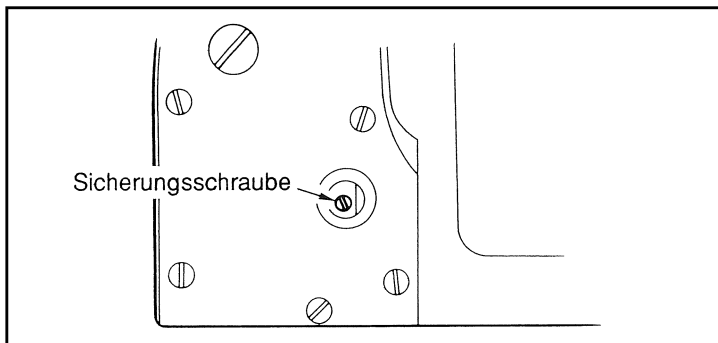


WARNUNG :

Um durch plötzliches Anlaufen der Nähmaschine verursachte Verletzungen zu vermeiden, führen Sie die folgende Arbeit erst aus, nachdem Sie den Netzschalter ausgeschaltet und sich vergewissert haben, daß der Motor vollkommen stillsteht.



- 1) Die Schraube ❸ entfernen und die Sicherungsschraube im Transportschwingnocken lösen.
- 2) Das Handrad unter leichtem Drücken der Drucktaste ❶ von Hand drehen.
- 3) Wenn die Drucktaste klemmt, hört die Nähmaschine zu laufen auf.
- 4) Im obengenannten Zustand unter weiterem Drücken der Drucktaste ❶ das Handrad von Hand drehen.
- 5) Die Teilung (die den gewünschten Wert anzeigt) auf den an der Zahnradabdeckung eingravierten Markierungspunkt ❷ ausrichten. Dann die Drucktaste loslassen.
- 6) Die Sicherungsschraube im Transportschwingnocken anziehen.
- 7) Die Schraube ❸ anbringen.



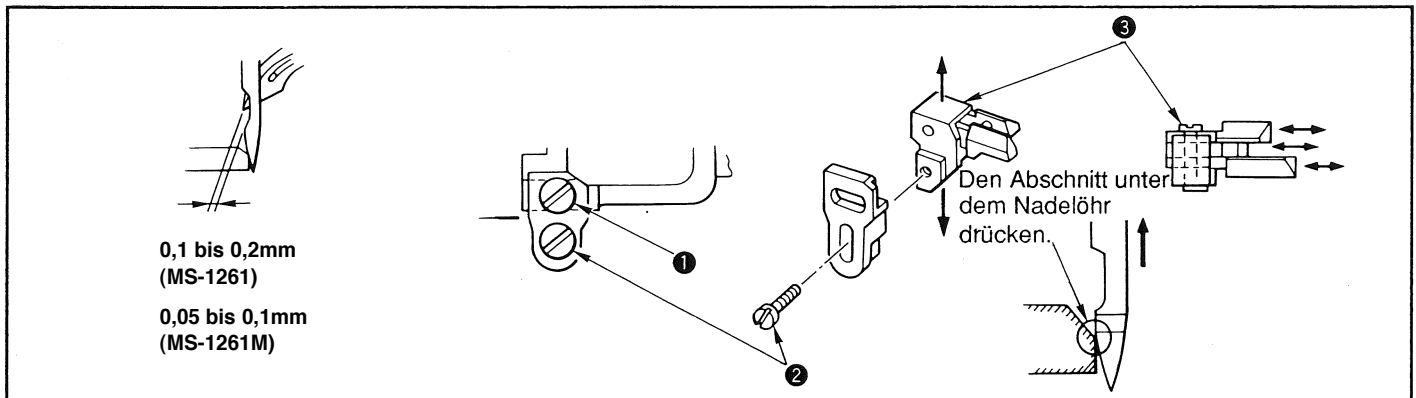
- (Vorsicht)**
1. Niemals diese Drucktaste ❶ drücken, während die Nähmaschine in Betrieb ist.
 2. Die Nähmaschine darf erst nach Anziehen der Sicherungsschraube betätigt werden.
 3. Die Maschine niemals mit entfernter Schraube ❸ betätigen.
 4. Die Sicherungsschraube ist mit einer Feststellschraube versehen, um Lockerung der Schraube zu verhindern. Der Sicherungsschraubenkopf kann beschädigt werden, wenn Sie versuchen, ihn gewaltsam zu entfernen.

11. EINSTELLEN DES NADELSCHUTZES



WARNUNG :

Um durch plötzliches Anlaufen der Nähmaschine verursachte Verletzungen zu vermeiden, führen Sie die folgende Arbeit erst aus, nachdem Sie den Netzschalter ausgeschaltet und sich vergewissert haben, daß der Motor vollkommen stillsteht.



Der Nadelschutz ist am Transporteur befestigt. Deshalb muß der Nadelschutz nach jeder Änderung des Transportbetrags eingestellt werden.

(Einstellen des Abstands zwischen Nadel und Greifer)

- 1) Das Handrad drehen, bis das obere Ende des Greifers auf die Mitte der Nadel ausgerichtet ist.
- 2) Die Schraube ① lösen, die gesamte Nadelschutz-Baugruppe nach rechts oder links bewegen, so daß der Nadelschutz so gegen die Nadel drückt, daß ein Abstand von 0,1 bis 0,2 mm zwischen Greifer und Nadel erhalten wird.
(0,05 bis 0,1 mm für MS-1261M)

(Die vertikale Position des Nadelschutzes einstellen)

- 1) Das Handrad drehen, bis der Nadelschutz gegen die Nadel zu drücken beginnt.
- 2) Die Schraube ② lösen, die gesamte Nadelschutz-Baugruppe nach oben oder unten bewegen, so daß der Nadelschutz so positioniert ist, daß er nicht gegen Nadelfadenschlaufen drückt und diese deformiert (direkt unter dem Nadelöhr).

(Einstellen der Abstände zwischen entsprechenden Nadeln und Greifern)

Wenn die Abstände zwischen den jeweiligen Greifern und Nadeln nicht gleich sind, nachdem der Abstand zwischen jeder Nadel und jedem Greifer durch Bewegen der gesamten Nadelschutzzeinheit eingestellt worden ist, so einstellen, daß ein gleicher Abstand zwischen den jeweiligen Greifern und Nadeln erhalten wird, indem das nachfolgende Verfahren durchgeführt wird.

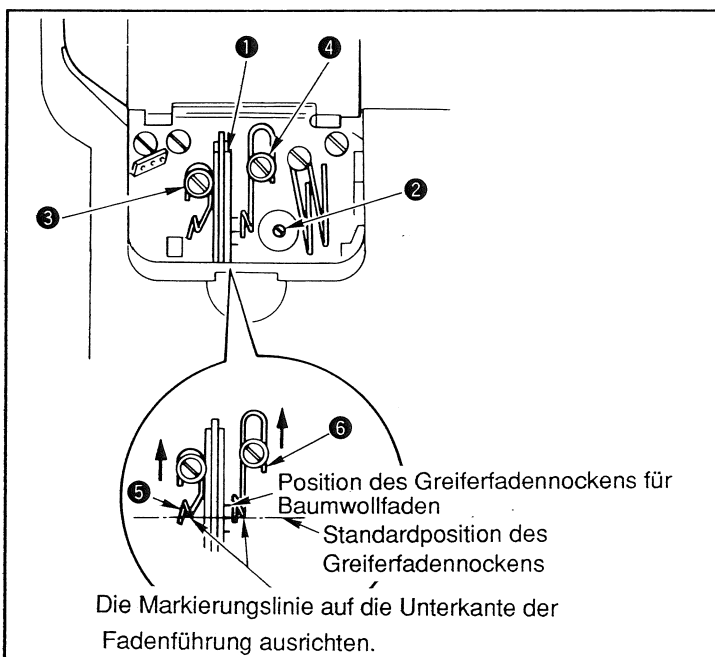
- 1) Das Handrad drehen, bis das obere Ende des Greifers auf die Mitte der Nadel ausgerichtet ist.
- 2) Die Schraube ③ lösen, und die entsprechenden Nadelschutzvorrichtungen so bewegen, daß ein gleicher Abstand zwischen den jeweiligen Nadeln und Greifern erhalten wird.

12. EINSTELLEN DES GREIFERNOCKENS



WARNUNG :

Um durch plötzliches Anlaufen der Nähmaschine verursachte Verletzungen zu vermeiden, führen Sie die folgende Arbeit erst aus, nachdem Sie den Netzschalter ausgeschaltet und sich vergewissert haben, daß der Motor vollkommen stillsteht.



Die Schraube ② lösen, und den Greiferfadennocken ① so einstellen, daß der Greifer den Faden zu ziehen beginnt, wenn er sich nach Erreichen seines Wegendes zu seiner Ausgangsposition zurückzubewegen beginnt.

(1) Einstellen der Greiferfaden-Nockenfadensführung

- 1) Die Endfläche der Fadenführung ⑥ auf die Markierungslinie an der Fadenführung ⑥ ausrichten. Dann die Fadenführung ⑤ so einstellen, daß ihre Endfläche mit der Endfläche der Fadenführung ⑥ bündig ist.
- 2) Die Standardposition der Fadenführung erhält man durch Ausrichten der Endfläche der Fadenführung auf die mittlere Markierungslinie.
- 3) Bei Gebrauch eines Baumwollfadens die Schrauben ③ und ④ lösen, dann die Endflächen der Fadenführungen ⑤ und ⑥ auf die Markierungslinie der weiter entfernten Seite ausrichten. Die Greiferfadennocken-Steuerung braucht zu diesem Zeitpunkt nicht nachgestellt zu werden.

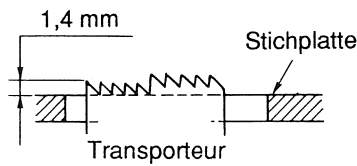
13. HÖHE DES TRANSPORTEURS



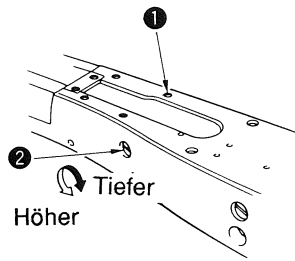
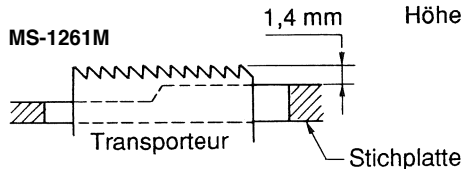
WARNUNG :

Um durch plötzliches Anlaufen der Nähmaschine verursachte Verletzungen zu vermeiden, führen Sie die folgende Arbeit erst aus, nachdem Sie den Netzschalter ausgeschaltet und sich vergewissert haben, daß der Motor vollkommen stillsteht.

MS-1261



MS-1261M



Wenn sich der Transporteur in der höchsten Position seines Hubs befindet, sollte die Oberkante des Transporteurs 1,4 mm über der Oberfläche der Stichplatte sein.

(1) Einstellen der Transporteurhöhe

- 1) Die Schraube ① in der Seitenplatte des Betts lösen und entfernen.
- 2) Die Schraube ① entfernen, dann die darunter befindliche Innensechskantschraube mit einem L-Sechskantschlüssel lösen.
- 3) Die Höhe des Transporteurs durch Drehen der Transporteinstellwelle ② regulieren.
- 4) Die Welle mit der Innensechskantschraube sichern und die Schraube ① anziehen.

(Vorsicht) Die Transporteinstellwelle ② braucht nicht stark befestigt zu werden.

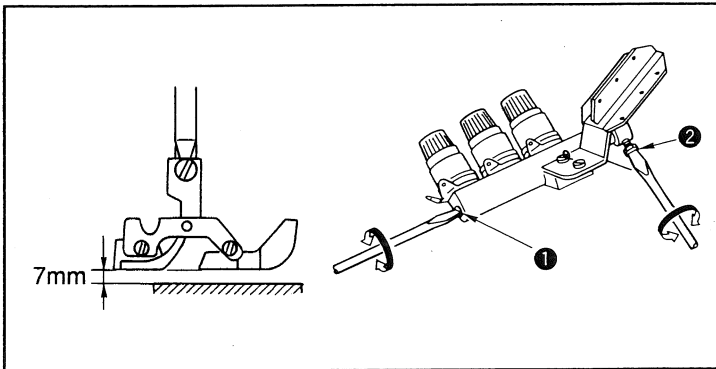
DEUTSCH

14. STEUERUNG ZUR LÖSUNG DER NADELFADENSPIANNUNG



WARNUNG :

Um durch plötzliches Anlaufen der Nähmaschine verursachte Verletzungen zu vermeiden, führen Sie die folgende Arbeit erst aus, nachdem Sie den Netzschalter ausgeschaltet und sich vergewissert haben, daß der Motor vollkommen stillsteht.



So einstellen, daß die Nadelfadenspannung gelöst wird, wenn sich der Drückerfuß um 7 mm über die Oberfläche der Stichplatte gehoben hat. Die Schraube ② in der Spannungsfreigabewelle ① lösen, und die Steuerung zur Freigabe der Nadelfadenspannung durch Drehen der Welle im Uhrzeigersinn oder im Gegenuhrzeigersinn einstellen.

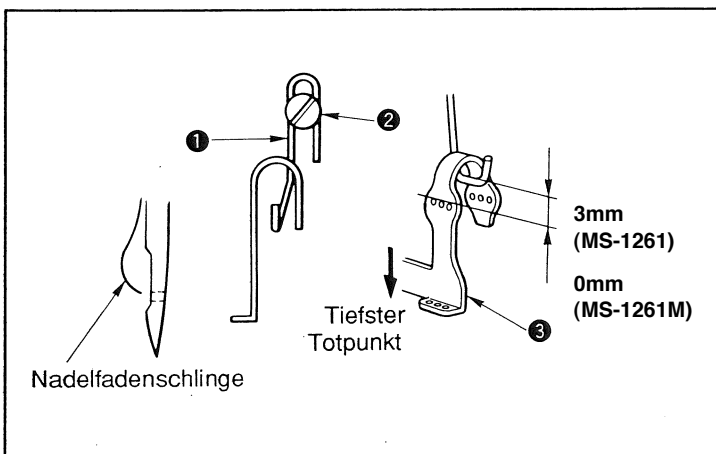
Bitte beachten, daß der Drückerfuß so an die Drückerstange angebracht werden soll, daß er mit dem unteren Ende der Drückerstange bündig ist.

15. EINSTELLEN DES AUFNAHMEFADENSPIANNUNG-STEUERHEBELS



WARNUNG :

Um durch plötzliches Anlaufen der Nähmaschine verursachte Verletzungen zu vermeiden, führen Sie die folgende Arbeit erst aus, nachdem Sie den Netzschalter ausgeschaltet und sich vergewissert haben, daß der Motor vollkommen stillsteht.



Die Nadelfadenschlingengröße wird durch Einstellen der Position des Aufnahme Fadenspannung-Steuerhebels ① geregelt.

Die Nadelfadenschlingengröße hängt vom verwendeten Faden und Material ab. Deshalb die Fadenschlingengröße bedarfsgemäß einstellen.

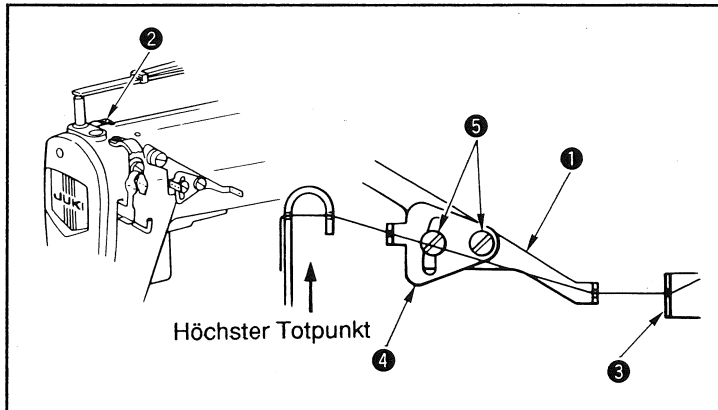
- 1) Die beiden Schrauben ② lösen, und die Position der Fadenaufnahmehebel-Führung durch Auf- oder Abbewegen einstellen.
- 2) So einstellen, daß das obere Ende des Fadenspannung-Steuerhebels 3 mm über dem oberen Ende des Fadenlochs im Nadelstangen-Fadenaufnahmehebel ③ ist, wenn sich die Nadelstange am unteren Totpunkt befindet. (0 mm für MS-1261M)
- 3) Durch Absenken des Fadenspannung-Steuerhebels ① wird die Schlingengröße vermindert. Durch Anheben des Hebels wird sie erhöht.

16. POSITION VON ZWISCHENFADENSPELLUN-FREIGABEBEBEL UND FADENFÜHRUNG DES NADELFADENSPELLUNGSREGLERS



WARNUNG :

Um durch plötzliches Anlaufen der Nähmaschine verursachte Verletzungen zu vermeiden, führen Sie die folgende Arbeit erst aus, nachdem Sie den Netzschalter ausgeschaltet und sich vergewissert haben, daß der Motor vollkommen stillsteht.



Die Position des Zwischenfadenspannung-Freigabehebels ① und der Fadenführung ④ des Nadelfadenspannungsreglers wie unten beschrieben einstellen.

- 1) Das Handrad drehen, bis die Nadelstange den höchsten Totpunkt erreicht.
- 2) Die Schraube ② lösen und die Position des Zwischenfadenspannung-Freigabehebels ① so einstellen, daß der von der Zwischennadelfadenführung ③ kommende Faden parallel zum Zwischenfadenspannung-Freigabehebel ist.
- 3) Dann die beiden Schrauben ⑤ lösen, und die Position der Fadenführung ④ des Nadelfadenspannungsreglers so einstellen, daß der vom Zwischenfadenspannung-Freigabehebel ① kommende Faden eine direkte Linie bildet.

17. NÄHGESCHWINDIGKEIT UND MOTORRIEMENSCHLEIBE

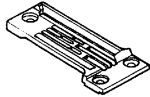
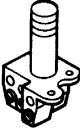
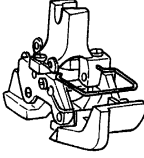
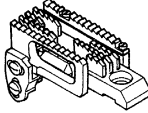
- 1) Einen dreiphasigen Kupplungsmotor mit 400W (1/2PS) verwenden.
Für einen Servomotor ist ein Synchronisator-Montagesockel als Sonderzubehör erhältlich.
- 2) Einen Keilriemen vom Typ M verwenden.
- 3) Die Beziehung zwischen Motorriemenscheibe, Nähgeschwindigkeit der Nähmaschine ist aus der nachstehenden Tabelle ersichtlich:

Modell	Drehzahl der Nähmaschine	Effektiver Durchmesser des Handrads	Anzahl der Pole des Motors	Frequenz	Drehzahl des Motors	Effektiver Durchmesser der Motorriemenscheibe
MS-1261 MS-1261M	3,600 sti/min	67,4mm	2	50Hz	2.860 U/min	85mm
				60Hz	3.430 U/min	70mm
	3,600 sti/min			50Hz	2.860 U/min	70mm
				60Hz	3.430 U/min	60mm




- ★ Den effektiven Motorriemenscheiben-Durchmesser erhält man durch Subtraktion von 5 mm vom Außendurchmesser.
- ★ Der Motor soll sich vom Handrad her gesehen im Gegenuhrzeigersinn drehen. Darauf achten, daß sich der Motor nicht in der entgegengesetzten Richtung dreht.

18. AUSTAUSCHLEHREN-TABELLE

(1) MS-1261 (für besonders schweres Material)

			1	2	3	4	5
Teilebezeichnung			Lehrensatz (mit Fingerschutz)	Stichplatte	Nadelklemme (Bg.)	Drückerfuß (Bg.) (mit Fingerschutz)	Transporteur (Bg.)
Nadellehre							
Code	Inch	mm					
E	7/32	5,6	12954061	12954004	12956355	12957163	12965158
F	1/4	6,4	12953964	12953907	12956256	12957064	12965059
G	9/32	7,2	12954160	12954103	12956454	12957262	12965257
H	5/16	8,0	12954269	12954202	12956553	12957361	12965356
K	3/8	9,5	12954368	12954301	12956652	12957460	12965455

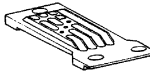
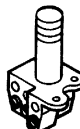
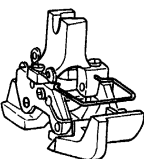
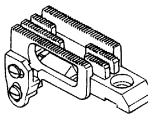
DEUTSCH

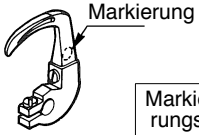
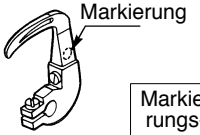
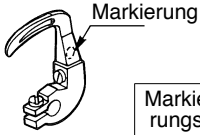
			6	7	8	
Teilebezeichnung			Greifer (L. Bg.)	Greifer (R. Bg.)	Greifer (C. Bg.)	
Nadellehre			 Markierung	 Markierung	 Markierung	
Code	Inch	mm	Markierungsnummer	Markierungsnummer	Markierungsnummer	
E	7/32	5,6	12968558	1	12968855	1
F	1/4	6,4				
G	9/32	7,2	12968657	2	12968954	2
H	5/16	8,0				
K	3/8	9,5				
					12969150	1

9. Distanzstück für Transporteur (für MS-1261)			
Nr.	Plattendicke (mm)	Teile-Nr.	Teilebezeichnung
①	0,3	12976601	Transporteur-Einstellplatte B
②	0,8	12976700	Transporteur-Einstellplatte C
③	1,0	12976809	Transporteur-Einstellplatte D

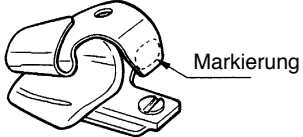
* Der Lehrensatz enthält keinen Distanzstück.

(2) MS-1261M (für mittelschweres Material)

			1	2	3	4	5
Teilebezeichnung			Lehrensatz (mit Fingerschutz)	Stichplatte	Nadelklemme (Bg.)	Drückerfuß (Bg.) (mit Fingerschutz)	Transporteur (Bg.)
Nadellehre							
Code	Inch	mm					
E	7/32	5,6	12954665	12954608	12956355	12956165	12970059
F	1/4	6,4	12954566	12954509	12956256	12956066	12969952
G	9/32	7,2	12954764	12954707	12956454	12956769	12970158
H	5/16	8,0	12954863	12954806	12956553	12956868	12970257
K	3/8	9,5	12954962	12954905	12956652	12956967	12970356

			6		7		8
Teilebezeichnung			Greifer (L. Bg.)		Greifer (R. Bg.)		Greifer (C. Bg.)
Nadellehre							
Code	Inch	mm	Markierungsnummer		Markierungsnummer		Markierungsnummer
E	7/32	5,6	12968558	1	12968855	1	12969150
F	1/4	6,4					
G	9/32	7,2					
H	5/16	8,0	12968657	2	12968954	2	
K	3/8	9,5					

(3) Umleger

			1	2	3
Teilebezeichnung			Umleger (Bg.)		
Nadellehre			M297	M298	M299
			MH	H	XH
Code			Markierung		
Code	Inch	mm			
E	7/32	5,6	MAM2970DDBA	MAM2980AABA	MAM2990AABA
F	1/4	6,4	MAM2970EEBA	MAM2980BBBA	MAM2990BBBA
G	9/32	7,2	MAM2970FFBA	MAM2980CCBA	MAM2990CCBA
H	5/16	8,0	MAM2970GGBA	MAM2980DDBA	MAM2990DDBA
K	3/8	9,5	MAM2970HHBA	MAM2980EEBA	MAM2990EEBA

* Der Lehrensatz enthält keinen Umleger.

Umleger-Code

M297 — Für mittelschweres Material
(Bei MS-1261M serienmäßig)

M298 — Für schweres Material (Optional)

M299 — Für besonders schweres Material
(Bei MS-1261 serienmäßig)

FRANÇAIS

FRANÇAIS

POUR ASSURER L'UTILISATION EN TOUTE SÉCURITÉ DE VOTRE MACHINE À COUDRE

Il est inévitable que des travaux soient exécutés à proximité de pièces mobiles de la machine à coudre, de la machine automatique ou des dispositifs annexes (désignés par la suite sous le terme collectif de "machine". Cela signifie qu'il existe toujours un risque d'entrer fortuitement en contact avec une pièce mobile. Il est vivement conseillé aux opérateurs chargés d'exploiter la machine dans la pratique ainsi qu'au personnel de maintenance et de réparation de la machine de lire attentivement les **Précautions de sécurité** indiquées ci-après et de les assimiler pleinement avant d'exploiter la machine ou d'exécuter des travaux de maintenance sur celle-ci. Les **Précautions de sécurité** couvrent des aspects qui ne figurent pas dans les caractéristiques techniques de votre machine. Afin de faciliter la compréhension du sens des étiquettes, les risques indiqués ont été classés sous les trois catégories différentes suivantes. Veiller à comprendre pleinement les descriptions qui suivent et à respecter impérativement les consignes.

(I) Explication des niveaux de risque

	DANGER : Cette mention signale un danger immédiat de mort ou de blessure grave dans le cas où la personne responsable ou un tiers n'exploite pas correctement la machine ou n'évite pas une situation dangereuse lors de son utilisation ou de sa maintenance.
	AVERTISSEMENT : Cette mention signale un risque pouvant éventuellement causer la mort ou une blessure grave si la personne responsable ou un tiers n'exploite pas correctement la machine ou n'évite pas une situation dangereuse lors de son utilisation ou de sa maintenance.
	ATTENTION : Cette mention signale un risque de blessures plus ou moins graves si la personne responsable ou un tiers n'exploite pas correctement la machine ou n'évite pas une situation dangereuse lors de son utilisation ou de sa maintenance.
	Points demandant une attention particulière

(II) Explication des pictogrammes et étiquettes d'avertissement

Picto-gramme d'avertis- sement		Il existe un risque de blessure en cas de contact avec une pièce mobile.	Etiquette d'avertis- sement		Il existe un risque de happement par la courroie susceptible de causer une blessure.
		Il existe un risque de décharges électriques en cas de contact avec une pièce sous haute tension.			Indique le sens correct.
		Il existe un risque de brûlures en cas de contact avec une pièce sous haute température.			Indique qu'un câble de mise à la terre est connecté.

1 • Risque de blessures légères, graves ou mortelles.
 • Risque de blessures par le contact d'une pièce en mouvement.
2 • Effectuer l'opération de couture avec un protecteur de sécurité.
 • Effectuer l'opération de couture avec un couvercle de sécurité.
 • Effectuer l'opération de couture avec un dispositif protecteur de sécurité.
3 • Placer l'interrupteur d'alimentation sur arrêt avant l'"enfilage de la tête de la machine", le "remplacement de l'aiguille", le "remplacement de la canette" ou l'"huilage et nettoyage".

PRÉCAUTIONS DE SÉCURITÉ

Accident signifie "causer des blessures corporelles ou la mort, ou des dommages matériels."



DANGER

1. Lorsqu'il est nécessaire d'ouvrir la boîte électrique contenant des pièces électriques, veiller à couper l'alimentation électrique de la machine et à attendre plus de cinq minutes avant d'ouvrir le couvercle afin d'éviter tout accident susceptible de causer des décharges électriques.



ATTENTION

Précautions de base

1. Veiller à lire le mode d'emploi et autres notices explicatives fournis avec les accessoires de la machine avant de l'utiliser. Conserver soigneusement à portée de main le mode d'emploi et les notices explicatives afin de pouvoir les consulter rapidement.
2. La présente section couvre des aspects qui ne figurent pas dans les caractéristiques techniques de votre machine.
3. Veiller à porter des lunettes de sécurité pour se protéger contre tout accident causé par la rupture d'une aiguille.
4. Les personnes équipées d'une pile cardiaque doivent consulter un spécialiste médical avant d'utiliser la machine.

Dispositifs de sécurité et étiquettes d'avertissement

1. Avant d'utiliser la machine, veiller à vérifier que le/les dispositif(s) de sécurité sont correctement installés en place et fonctionnent normalement afin d'éviter tout accident causé par l'absence d'un/des dispositif(s).
2. Si l'un des dispositifs de sécurité est enlevé, veiller à le remplacer et à s'assurer qu'il fonctionne normalement afin d'éviter tout accident susceptible de causer des blessures corporelles ou la mort.
3. Veiller à ce que les étiquettes d'avertissement restent entièrement collées sur la machine et qu'elles soient clairement visibles afin d'éviter tout accident susceptible de causer des blessures corporelles ou la mort. Si une étiquette est souillée ou décollée, veiller à la remplacer par une nouvelle.

Usage prévu et modification

1. Ne jamais utiliser la machine pour toute fin autre que celle pour laquelle elle a été prévue et d'une manière autre que celle prescrite dans le mode d'emploi afin d'éviter tout accident susceptible de causer des blessures corporelles ou la mort.
JUKI décline toute responsabilité en cas de dommages, de blessures corporelles ou de décès résultant d'un usage de la machine autre que celui pour lequel il a été prévu.
2. Afin d'éviter tout accident risquant de causer des blessures corporelles ou la mort, ne jamais modifier ou remanier la machine.
JUKI décline toute responsabilité en cas de dommages, de blessures corporelles ou de décès résultant du fait que la machine a été modifiée ou remaniée.

Sensibilisation et formation

1. Afin d'éviter tout accident résultant d'une connaissance insuffisante de la machine, celle-ci doit être utilisée uniquement par un opérateur qui a reçu une formation/sensibilisation de la part de l'employeur à l'utilisation de la machine et la manière de l'utiliser en toute sécurité en vue d'acquérir les connaissances et le savoir-faire adéquats. A cette fin, l'employeur doit mettre en place un plan de formation/sensibilisation destiné aux opérateurs afin de les sensibiliser/former au préalable.

Cas où l'alimentation électrique de la machine doit être coupée

Couper l'alimentation électrique de la machine : placer l'interrupteur d'alimentation sur arrêt, puis débrancher la fiche de la prise secteur. Cette procédure s'applique dans les cas suivants.

1. Couper immédiatement l'alimentation électrique si une anomalie ou un dysfonctionnement est détecté, ou dans le cas d'une panne de courant afin d'éviter tout accident susceptible de causer des blessures corporelles ou la mort.
2. Afin d'éviter tout accident causé par le démarrage soudain de la machine, veiller à exécuter les opérations suivantes après avoir coupé l'alimentation électrique. Si la machine est notamment équipée d'un moteur à embrayage, veiller à exécuter les opérations suivantes après avoir coupé l'alimentation électrique et s'être assuré que la machine est complètement arrêtée.
 - 2-1. Par exemple, l'enfilage du fil sur des pièces telles que l'aiguille, le boucleur, l'étendeur, etc. qui doivent être enfilés, ou le remplacement de la canette.
 - 2-2. Par exemple, le remplacement ou réglage d'un composant de la machine.
 - 2-3. Par exemple, lorsque la machine est inspectée, réparée, nettoyée ou laissée sans surveillance.
3. Pour débrancher la machine, veiller à saisir la fiche et non le cordon afin d'éviter toute décharge électrique, fuite à la terre ou incendie.
4. Veiller à couper l'alimentation électrique lorsque la machine est laissée sans surveillance entre des travaux.
5. Veiller à couper l'alimentation électrique en cas de panne de courant afin d'éviter tout accident causé par l'endommagement d'un composant électrique.

PRÉCAUTIONS À PRENDRE AUX DIVERSES ÉTAPES DU FONCTIONNEMENT

Transport

1. Veiller à tenir compte du poids de la machine lorsqu'elle doit être soulevée et prendre toutes les précautions de sécurité nécessaires pour la déplacer. Se reporter au texte du mode d'emploi pour connaître le poids de la machine.

2. Veiller à prendre toutes les mesures de sécurité nécessaires afin d'éviter de renverser ou de laisser tomber la machine lorsqu'elle est soulevée ou déplacée afin d'éviter tout accident susceptible de causer des blessures corporelles ou la mort.
3. Une fois que la machine a été déballée, ne jamais la remballer pour la transporter afin de la protéger contre tout dommage causé par un accident fortuit ou sa chute.

Déballage

1. Veiller à déballer la machine de la manière prescrite afin d'éviter tout accident susceptible de causer des blessures corporelles ou la mort. Au cas notamment où la machine est emballée dans une caisse en bois, veiller à faire attention aux clous. Les clous doivent être retirés.
2. Veiller à vérifier la position du centre de gravité de la machine et à l'extraire avec précaution de son emballage afin d'éviter tout accident susceptible de causer des blessures corporelles ou la mort.

Installation

(I) Table et support de table

1. Veiller à utiliser la table et le support de table de marque JUKI afin d'éviter tout accident susceptible de causer des blessures corporelles ou la mort. S'il est inévitable d'utiliser une table et un support de table autres que ceux de marque JUKI, sélectionner une table et un support de table capables de supporter le poids de la machine et sa force réactive en fonctionnement.
2. Si des roulettes sont installées sur le support de table, veiller à utiliser des roulettes équipées d'un mécanisme de verrouillage et à les verrouiller pour immobiliser la machine durant son fonctionnement, des travaux de maintenance, une inspection ou une réparation afin d'éviter tout accident susceptible de causer une blessure corporelle ou la mort.

(II) Câbles et câblage

1. Veiller à éviter d'exercer toute force excessive durant le fonctionnement afin d'éviter des décharges électriques, une fuite à la terre ou un incendie. En outre, s'il est nécessaire de poser un câble à proximité d'une pièce mobile telle que la courroie en V, veiller à ménager un espace d'au moins 30 mm entre la pièce mobile et le câble.
2. Veiller à éviter une connexion à une multiprise afin d'éviter des décharges électriques, une fuite à la terre ou un incendie.
3. Veiller à brancher à fond les connecteurs afin d'éviter des décharges électriques, une fuite à la terre ou un incendie. En outre, pour débrancher un connecteur, veiller à le tenir par la partie qui sert à connecter.

(III) Mise à la terre

1. Veiller à ce qu'un électricien qualifié installe une prise appropriée afin d'éviter tout accident causé par une fuite à la terre ou un défaut de tension diélectrique. En outre, veiller impérativement à raccorder la fiche à une prise secteur mise à la terre.
2. Veiller à mettre à la terre le câble de terre afin d'éviter tout accident causé par une fuite à la terre.

(IV) Moteur

1. Veiller à utiliser le moteur nominal prescrit (article de marque JUKI) afin d'éviter tout accident causé par un claquage.
2. Si un moteur à embrayage en vente dans le commerce est utilisé avec la machine, veiller à en sélectionner un doté d'un couvre-courroie anti-happement afin d'éviter d'être happé par la courroie en V.

Avant la mise en fonctionnement

1. Avant de mettre la machine sous tension, veiller à vérifier que les connecteurs et câbles ne soient pas endommagés, tombés ou lâches afin d'éviter tout accident susceptible de causer des blessures corporelles ou la mort.
2. Ne jamais introduire la main dans une pièce mobile de la machine afin d'éviter tout accident susceptible de causer des blessures corporelles ou la mort.
En outre, veiller à vérifier que la poulie tourne dans le sens de la flèche indiquée sur la poulie.
3. Si une table à roulettes est utilisée, veiller à l'immobiliser en verrouillant les roulettes ou au moyen d'ajusteurs, le cas échéant, afin d'éviter tout accident causé par le démarrage soudain de la machine.

En fonctionnement

1. Veiller à ce qu'un doigt, la chevelure ou un vêtement proche d'une pièce mobile ne soient pas happés par le volant, la poulie ou le moteur, ou installer quelque chose près de ces pièces lorsque la machine est en fonctionnement afin d'éviter tout accident causé par un happement susceptible de causer des blessures corporelles ou la mort.
2. Veiller à ne pas placer les doigts à la périphérie de l'aiguille ou à l'intérieur du couvercle du levier de relevage lors de la mise sous tension afin d'éviter tout accident susceptible de causer des blessures corporelles ou la mort.
3. La machine fonctionne à vitesse rapide. Pendant le fonctionnement, ne jamais amener votre main à proximité d'une pièce mobile telle que le boucleur, l'étendeur, la barre à aiguille, le crochet ou le coupeur de tissu afin de protéger vos mains contre tout accident. En outre, veiller à couper l'alimentation électrique et vérifier que la machine est complètement arrêtée avant de changer le fil.
4. Veiller à ne pas se coincer les doigts ou toute autre partie du corps entre la machine et la table lorsque la machine est enlevée de la table ou remise sur celle-ci afin d'éviter tout accident susceptible de causer des blessures corporelles ou la mort.
5. Veiller à couper l'alimentation électrique et vérifier que la machine est complètement arrêtée avant d'enlever le couvre-courroie et la courroie en V afin d'éviter tout accident causé par le démarrage soudain de la machine ou du moteur.
6. Si un servomoteur est utilisé avec la machine, le moteur ne fait pas de bruit lorsque la machine est arrêtée. Veiller à ne pas oublier de couper l'alimentation électrique afin d'éviter tout accident causé par le démarrage soudain du moteur.
7. Ne jamais utiliser la machine si l'orifice de refroidissement du générateur du moteur est obstrué afin d'éviter tout incendie causé par une surchauffe.

Lubrification

1. Veiller à utiliser une huile ou une graisse de marque JUKI sur les parties à lubrifier.
2. Si de l'huile se colle sur les yeux ou le corps, veiller à la nettoyer immédiatement pour éviter toute inflammation ou irritation.
3. Si de l'huile est avalée par inadvertance, veiller à consulter immédiatement un médecin afin d'éviter une diarrhée ou des vomissements.



Maintenance

1. Afin d'éviter tout accident causé par une connaissance insuffisante de la machine, les réparations et réglages doivent être exécutés par un technicien de service après-vente qui connaît parfaitement la machine suivant l'étendue définie dans le mode d'emploi. Veiller à utiliser des pièces de marque JUKI pour remplacer toute pièce de la machine. JUKI décline toute responsabilité en cas d'accident dû à une réparation ou un réglage inappropriés ou l'utilisation de toute pièce autre qu'une pièce de marque JUKI.
2. Afin d'éviter tout accident causé par une connaissance insuffisante de la machine ou des décharges électriques, veiller à faire appel à un électricien de votre société, de JUKI ou de son concessionnaire local pour les réparations et la maintenance (y compris le câblage) des composants électriques.
3. Lors de travaux de réparation ou de maintenance sur la machine au moyen de pièces pneumatiques tel que le cylindre pneumatique, veiller au préalable à enlever le tuyau d'alimentation d'air pour expulser l'air restant dans la machine, afin d'éviter tout accident causé par le démarrage soudain d'une pièce pneumatique.
4. Veiller à vérifier que les vis et écrous sont bien resserrés après une réparation, un réglage ou le remplacement d'une pièce.
5. Veiller à nettoyer la machine régulièrement pendant sa durée d'utilisation. Veiller à couper l'alimentation électrique et à vérifier que la machine et le moteur sont complètement arrêtés avant de nettoyer la machine afin d'éviter tout accident causé par le démarrage soudain de la machine ou du moteur.
6. Veiller à couper l'alimentation et à vérifier que la machine et le moteur sont complètement arrêtés avant d'exécuter des travaux de maintenance, une inspection ou une réparation de la machine. (Dans le cas d'un moteur à embrayage, le moteur continue de tourner pendant un moment par inertie même après que l'alimentation a été coupée. Il faut donc être prudent.)
7. Si la machine ne fonctionne pas normalement après une réparation ou un réglage, arrêter immédiatement de l'utiliser et contacter JUKI ou son concessionnaire local pour une réparation afin d'éviter tout accident susceptible de causer des blessures corporelles ou la mort.
8. Si un fusible est grillé, veiller à couper l'alimentation électrique et à remédier à sa cause, puis le remplacer par un neuf afin d'éviter tout accident susceptible de causer des blessures corporelles ou la mort.
9. Veiller à nettoyer périodiquement la bouche d'air du ventilateur et à inspecter la périphérie du câblage afin d'éviter tout accident dû au moteur.

Environnement d'opération

1. Veiller à utiliser la machine dans un environnement qui ne soit pas exposé à une source importante de bruit (ondes électromagnétiques) telles qu'une soudeuse haute fréquence afin d'éviter tout accident causé par un dysfonctionnement de la machine.
2. Ne jamais utiliser la machine dans un lieu où la tension varie dans une plage supérieure à "±10 % de la tension prescrite" afin d'éviter tout accident causé par un dysfonctionnement de la machine.
3. Veiller à vérifier qu'un dispositif pneumatique tel qu'un cylindre pneumatique fonctionne à la pression d'air prescrite avant de l'utiliser afin d'éviter tout accident causé par un dysfonctionnement de la machine.
4. Pour utiliser la machine en toute sécurité, veiller à ce que l'environnement d'utilisation réponde aux conditions suivantes:
Température ambiante en fonctionnement 5 à 35°C
Humidité relative en fonctionnement 35 à 85 %
5. De la condensation peut se former si la machine passe soudainement d'un environnement froid à un environnement chaud. Attendre donc un certain temps jusqu'à ce qu'il n'y ait plus de gouttelettes d'eau avant de mettre la machine sous tension afin d'éviter tout accident causé par une panne ou un dysfonctionnement d'un composant électrique.
6. Par souci de sécurité, veiller à arrêter d'utiliser la machine en cas d'orage et à la débrancher de la prise secteur afin d'éviter tout accident causé par une panne ou un dysfonctionnement d'un composant électrique.
7. Selon les conditions du signal de fréquence radio, la machine peut générer du bruit dans le téléviseur ou le poste de radio. Dans ce cas, utiliser le téléviseur ou le poste de radio à une distance éloignée de la machine.
8. Dans le cas où un ouvrier exécute des travaux dans un environnement dont "la valeur de bruit au sein de l'environnement de travail se situe entre 85 dB et 90 dB", veiller à prendre les mesures appropriées, le cas échéant, tel que l'emploi de serre-tête anti-bruit ou similaire pour éviter tout danger sanitaire. En outre, dans le cas où un ouvrier exécute des travaux dans un environnement dont la "la valeur de bruit au sein de l'environnement de travail est de 90 dB ou davantage", veiller à lui demander de porter impérativement un serre-tête anti-bruit pour éviter tout danger sanitaire, et afficher à un endroit bien visible par l'ouvrier une notice expliquant comment utiliser le serre-tête anti-bruit.
9. Éliminer correctement les emballages de la machine à coudre et l'huile lubrifiante usagée conformément aux réglementations applicables dans votre pays.

POUR LA SECURITE D'UTILISATION

	<ol style="list-style-type: none">1. Ne pas approcher les mains de l'aiguille lorsqu'on place l'interrupteur d'alimentation sur marche ou pendant le fonctionnement de la machine.2. Ne pas mettre les doigts derrière le couvercle du releveur de fil pendant le fonctionnement de la machine.3. Éloigner les doigts, les cheveux ou les vêtements du volant et du levier releveur de fils ou conserver cette zone dégagée pendant le fonctionnement de la machine à coudre.4. Ne pas faire fonctionner la machine à coudre avec son protecteur de courroie et son pare-aiguille déposés.
	<ol style="list-style-type: none">1. Pour la sécurité, s'assurer que le fil de terre du bloc d'alimentation a été connecté avant d'utiliser la machine.2. Avant de brancher ou de débrancher la fiche secteur, placer l'interrupteur d'alimentation sur arrêt.3. En cas d'orage et de foudre, s'arrêter de travailler et débrancher la fiche secteur par mesure de sécurité.4. Si l'on déplace brusquement la machine d'un endroit froid à un endroit chaud, il peut se former de la condensation. S'assurer qu'il n'y a pas de risque de condensation avant de mettre la machine sous tension.5. Pour ne pas risquer un incendie, débrancher périodiquement la fiche secteur de la prise de courant et nettoyer la base des broches et l'espace entre les broches.6. Le boucleur oscille à une vitesse élevée pendant le fonctionnement de la machine à coudre. Pour se protéger les mains, les tenir éloignés du boucleur. De plus, veiller à éteindre la machine avant d'enfiler la tête de la machine.7. Pour ne pas risquer un accident dû à un brusque démarrage de la machine, ne pas oublier de mettre la machine hors tension.8. Ce produit étant un instrument de précision, veiller à ne pas l'asperger d'eau ou d'huile et à ne pas le soumettre à des chocs tels que chutes.



ATTENTION :

Les dispositifs de sécurité tels que "protège-yeux" et protège-doigts" sont parfois omis dans les illustrations de ce manuel pour faciliter les explications.

Lors de l'utilisation de la machine, veiller à ce que ces dispositifs soient toujours en place.

AVANT L'UTILISATION



ATTENTION :

Pour éviter des anomalies de fonctionnement et ne pas causer de dommages à la machine, effectuer les vérifications ci-dessous.

- Avant la mise en service qui suit l'installation, nettoyer complètement la machine. Enlever toute la poussière ayant pu s'accumuler pendant le transport et bien huiler la machine.
- S'assurer que la tension a été correctement réglée. S'assurer que la fiche secteur est correctement connectée à la prise de courant.
- Ne jamais utiliser la machine avec une tension différente de celle pour laquelle elle est prévue.
- La machine doit tourner dans le sens inverse des aiguilles d'une montre lorsqu'on la regarde depuis le côté de la poulie. Veiller à ce que la machine ne tourne pas à l'envers.
- Ne jamais opérer la machine à coudre si elle n'est pas suffisamment lubrifiée.
- Pour opérer la machine à coudre, veiller à l'installer sur la table. Ensuite, placer l'interrupteur d'alimentation sur ON.
- Veiller à retirer le fil de la tête de la machine et du boucleur avant de procéder à une marche d'essai.
- Pendant le premier mois qui suit l'installation, veiller à utiliser la machine à coudre avec la vitesse d'exécution de points réduite à 2 800 sti/min ou moins.
- Attendre que la machine se soit complètement arrêtée avant de tourner le volant.

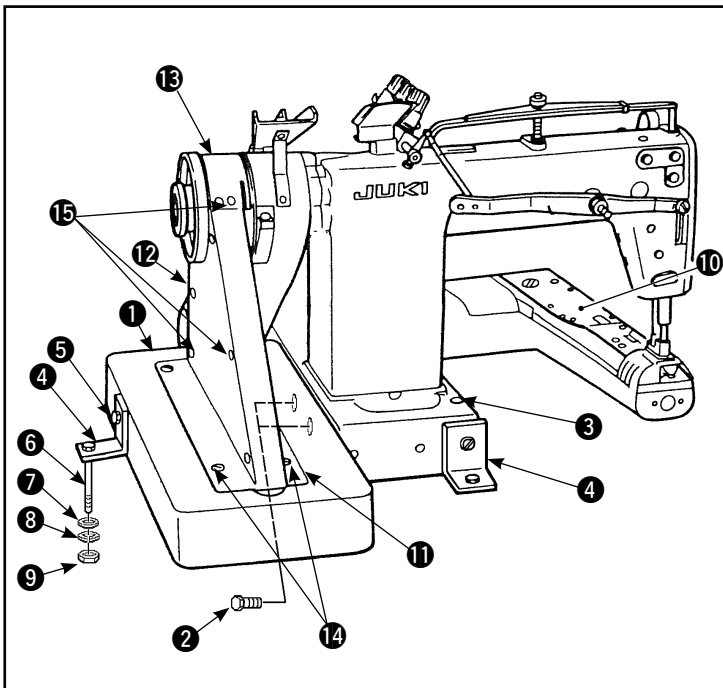
SOMMAIRE

CARACTERISTIQUES	1
1. MONTAGE DE LA MACHINE.....	1
2. REGLAGE DE LA TENSION DE COURROIE	2
3. INSTALLATION DU PORTE-BOBINES	2
4. POSE DE LA GENOUILLERE.....	2
5. LUBRIFICATION.....	3
6. POSE D'UNE AIGUILLE.....	3
7. ENFILAGE DE LA TETE DE LA MACHINE.....	4
8. TENSION DES FILS	4
9. RÉGLAGE DE LA PRESSION DU PIED PRESSEUR.....	5
10. REGLAGE DE LA LONGUEUR DES POINTS	5
11. REGLAGE DU GARDE-AIGUILLE	6
12. REGLAGE DE LA CAME DU FIL DU BOUCLEUR	6
13. HAUTEUR DE LA GRIFFE D'ENTRAINEMENT	7
14. MINUTAGE POUR LIBERER LA TENSION DU FIL DE L'AIGUILLE	7
15. REGLER LE LEVIER DE COMMANDE DE LA TENSION DU FIL DE RELEVAGE	7
16. POSITION DU LEVIER DE LIBERATION DE LA TENSION DU FIL INTERMEDIAIRE ET DU GUIDE-FIL DU REGULATEUR DE TENSION DU FIL DE L'AIGUILLE.....	8
17. VITESSE DE COUTURE ET DE LA POULIE DU MOTEUR.....	8
18. TABLEAU DES EQUIPEMENTS INTERCHANGEABLES	9

CARACTERISTIQUES

Modèle	MS-1261	MS-1261M
Application	Pour matières lourdes et extra-lourdes	Pour matières moyennement lourdes et lourdes
Nombre d'aiguilles	3	
Vitesse de couture	3.600 sti/min maxi (utilisation normale 3.000 sti/min)	
Aiguille	ORGAN UY x 128GAS-NY n ° 16 à n ° 22 (standard n ° 21)	ORGAN UY x 128GAS-NY n ° 16 à n ° 22 (standard n ° 19)
	SCHMETZ UY-128GAS n ° 100 à n ° 140 (standard n ° 130)	SCHMETZ UY-128GAS n ° 100 à n ° 140 (standard n ° 120)
Hauteur de relevage du pied presseur	10 mm	
Longueur des points	1,4 à 4,2 mm (avec entraîneur de tissu)	
Ecartement des aiguilles	7/32", 1/4", 9/32", 5/16", 3/8"	
Circonférence du cylindre	194 mm	
Huile lubrifiante	JUKI New Defrix Oil No.1	
Bruit	<p>- Niveau de pression acoustique d'émission continu équivalent (L_{pA}) au poste de travail : Valeur pondérée A de 83,0 dB; (comprend $K_{pA} = 2,5$ dB); selon ISO 10821- C.6.2 -ISO 11204 GR2 à 3.600 sti/min.</p> <p>- Niveau de puissance acoustique (L_{WA}) ; Valeur pondérée A de 92,5 dB; (comprend $K_{WA} = 2,5$ dB); selon ISO 10821- C.6.2 -ISO 11204 GR2 at 3.600 sti/min.</p>	

1. MONTAGE DE LA MACHINE



1) Lors du transport de la machine à coudre, veiller à la transporter à deux.

(Attention) Ne pas la tenir par la poulie.

- 2) Ne pas placer d'objet protubérant, comme un tournevis, là où la machine à coudre sera installée.
- 3) Fixer la base de déviation de la courroie ① sur la machine à coudre avec le boulon à tête hexagonale ②.
- 4) Placer la machine à coudre sur la table et déterminer sa position (rainure de la courroie et orifice de passage ③ pour faire passer la chaîne de levée de la barre de presseur).
- 5) Fixer les deux plaques support de la tête de la machine ④ sur la machine à coudre avec la vis ⑤. Fixer les plaques sur la table avec le boulon hexagonal ⑥, la rondelle ⑦, la rondelle élastique ⑧ et l'écrou ⑨.
- 6) Placer un niveau sur la plaque côté plateau ⑩ dans le sens latéral et le sens longitudinal pour vérifier que la machine à coudre est correctement placée en position horizontale.
- 7) Installer le protecteur de courroie ⑪, la courroie en V et le couvercle du protecteur de courroie ⑫ et le couvercle supérieur ⑬ sur la machine à coudre et les fixer avec les vis ⑭ et ⑮.

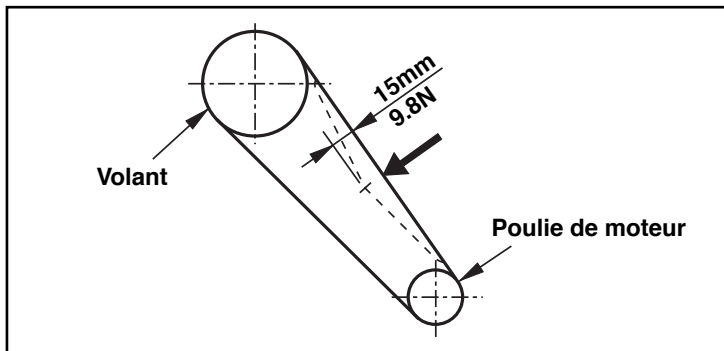
Lors de l'installation du protecteur de courroie, commencer par serrer provisoirement la vis. Ensuite, serrer solidement la vis après l'installation de toutes les pièces connexes.

2. REGLAGE DE LA TENSION DE COURROIE



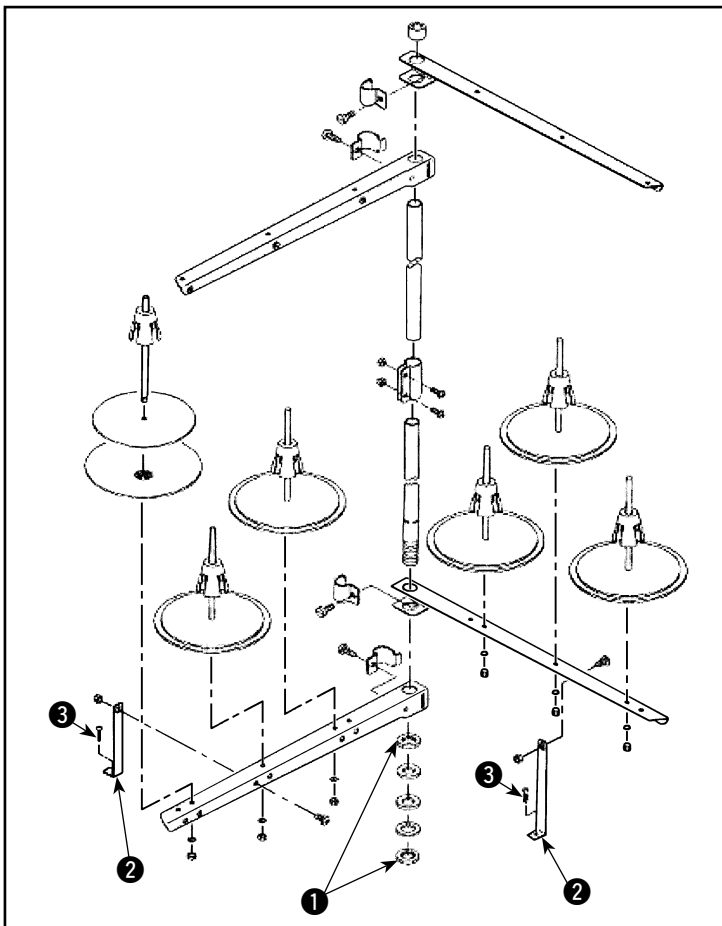
AVERTISSEMENT :

Pour ne pas risquer des blessures causées par une brusque mise en marche de la machine, toujours la mettre hors tension et s'assurer que le moteur est au repos avant d'effectuer les opérations suivantes.



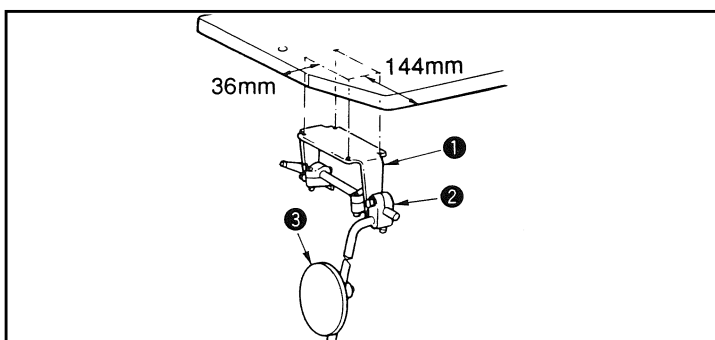
Régler la hauteur du moteur de façon que la courroie ploie de 15 mm lorsqu'on applique une charge de 9,8 N en son centre.

3. INSTALLATION DU PORTE-BOBINES



- 1) Assembler le dispositif du porte-bobines. L'insérer dans l'orifice de la table. Serrer le contre-écrou ❶ de sorte que le porte-bobines ne bouge pas.
- 2) Fixer le support du porte-bobines ❷ sur la table au moyen de la vis à bois ❸.

4. POSE DE LA GENOUILLERE



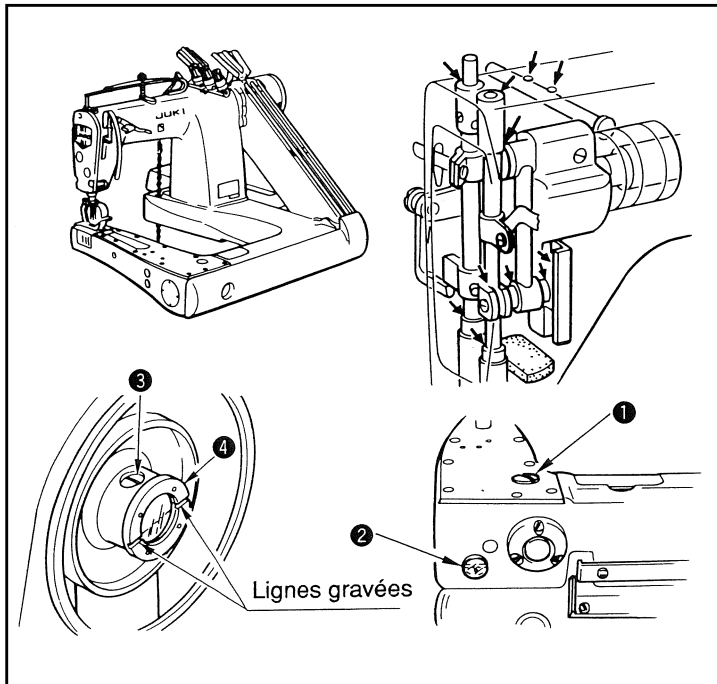
- 1) Fixer le support de fixation de la genouillère (assemblage) ❶ sous la table en utilisant les vis à bois.
- 2) Fixer le dispositif vertical de rembourrage de la genouillère ❸ au bras de fixation ❷. Puis les positionner de telle sorte que vous puissiez opérer aisément la genouillère.

5. LUBRIFICATION



AVERTISSEMENT :

Pour ne pas risquer des blessures causées par une brusque mise en marche de la machine, toujours la mettre hors tension et s'assurer que le moteur est au repos avant d'effectuer les opérations suivantes.



★ Avant d'opérer la machine à coudre

- 1) Retier la vis ① de l'orifice de remplissage pour la lubrification. Verser de l'huile lubrifiante New Defrix Oil N° 1 dans l'ouverture jusqu'à ce que le niveau d'huile atteigne la marque de repère indiquée sur le regard de la jauge ②.
- 2) Tourner le volant jusqu'à ce que les lignes gravées sur la cuvette d'huile ④ soient au même niveau. Puis, retirer la vis ③ de l'orifice de lubrification, et verser de l'huile jusqu'à ce que le niveau d'huile atteigne les lignes gravées sur la cuvette d'huile (approximativement la moitié de la capacité de la cuvette).
- 3) Faire fonctionner la machine à coudre pendant quelques minutes, puis vérifier à nouveau le niveau d'huile. Si la quantité d'huile est insuffisante, ajouter de l'huile dans la machine jusqu'à ce que celle-ci soit remplie avec une quantité d'huile adéquate.
- 4) Si la machine à coudre n'a pas été utilisée pendant une période prolongée, lubrifier les parties indiquées par une flèche (←) avec quelques gouttes d'huile.

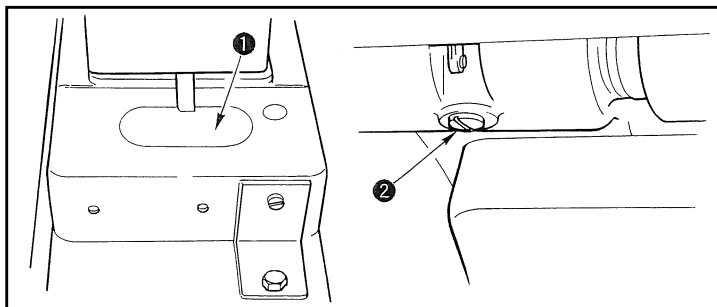
(ATTENTION) Pour opérer la machine à coudre pour la première fois après son installation ou après une période d'inutilisation prolongée, remplir complètement la cuvette d'huile avec de l'huile de lubrification. Vérifier que le niveau d'huile se situe toujours dans la zone indiquée en rouge sur le regard de la jauge d'huile.



Zone marquée en rouge

★ Purge de l'huile

- 1) Si de l'huile s'est accumulée dans la gorge ① du réservoir d'huile, l'essuyer avec un chiffon.
- 2) Purger l'huile qui s'est accumulée dans le socle de temps en temps en retirant le couvercle ② recouvrant l'orifice de purge dans l'arbre d'entraînement du crochet.

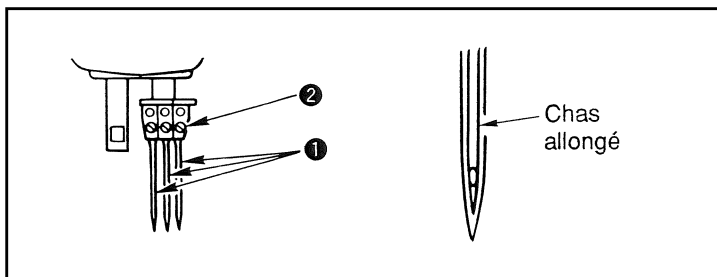


6. POSE D'UNE AIGUILLE



AVERTISSEMENT :

Pour ne pas risquer des blessures causées par une brusque mise en marche de la machine, toujours la mettre hors tension et s'assurer que le moteur est au repos avant d'effectuer les opérations suivantes.



Choisir une aiguille en fonction de l'épaisseur du fil et du type de matière à utiliser.

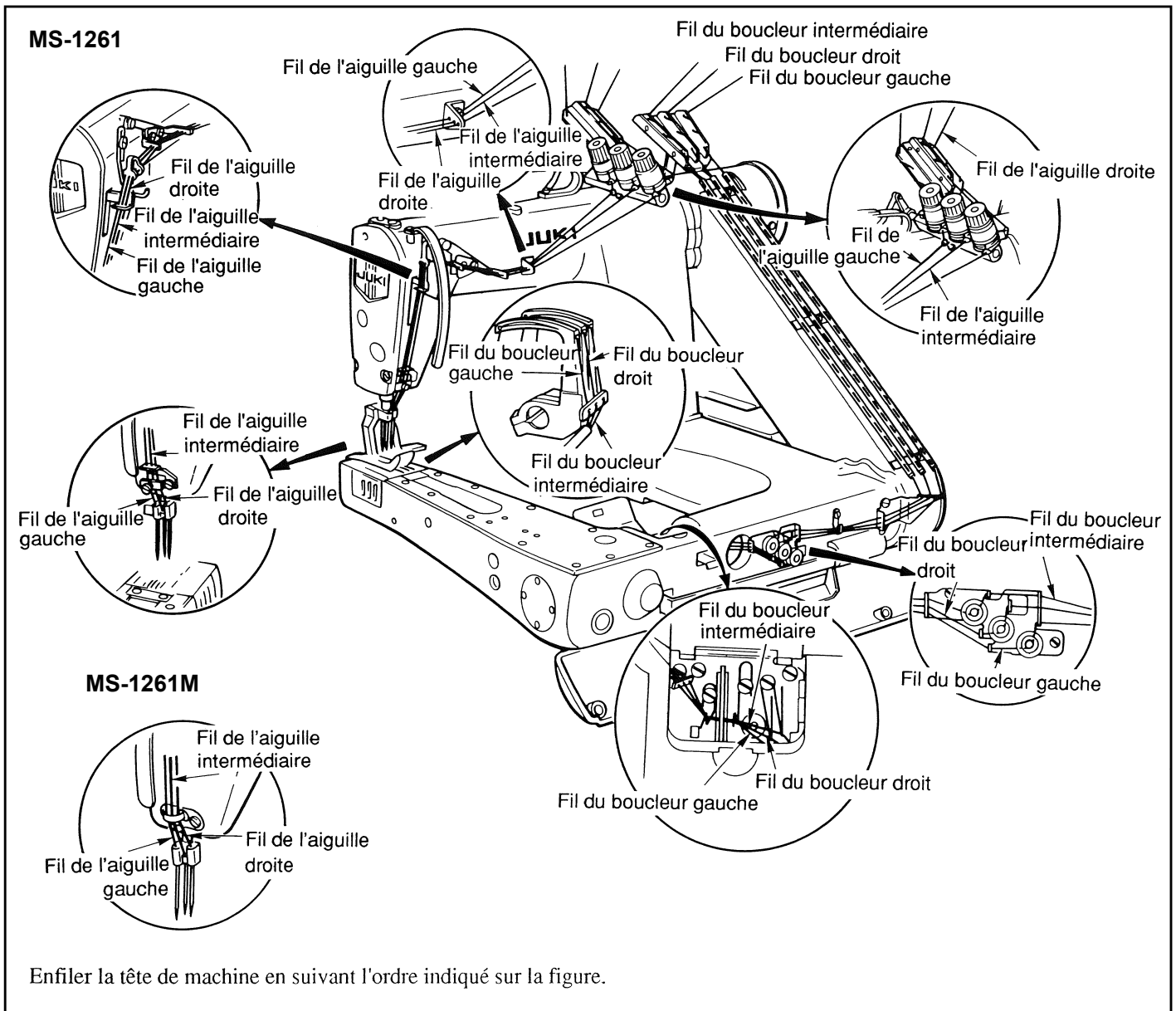
- 1) Tourner le volant jusqu'à ce que la barre à aiguille atteigne la plus haute position de sa course.
- 2) Desserrer la vis ② dans le pince-aiguille et tourner les aiguilles ① jusqu'à ce que le chas allongé des aiguilles se trouve en face de vous.
- 3) Introduire les aiguilles dans l'orifice du pince-aiguille jusqu'à ce qu'elles ne puissent aller plus loin.
- 4) Resserrer fermement la vis du pince-aiguille ②.

7. ENFILAGE DE LA TETE DE LA MACHINE



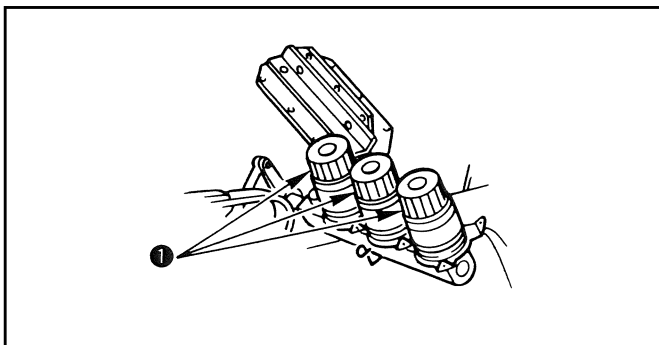
AVERTISSEMENT :

Pour ne pas risquer des blessures causées par une brusque mise en marche de la machine, toujours la mettre hors tension et s'assurer que le moteur est au repos avant d'effectuer les opérations suivantes.



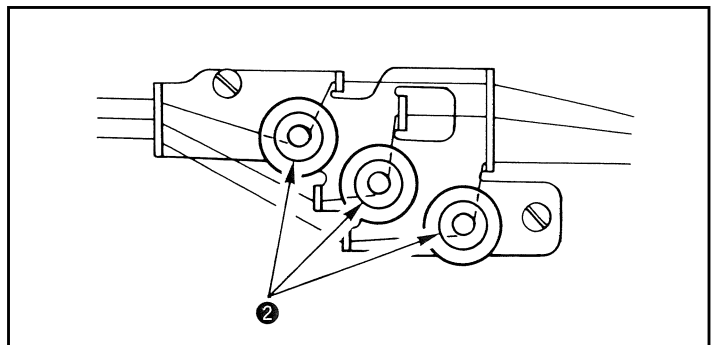
Enfiler la tête de machine en suivant l'ordre indiqué sur la figure.

8. TENSION DES FILS



(1) Réglage de la tension du fil de l'aiguille

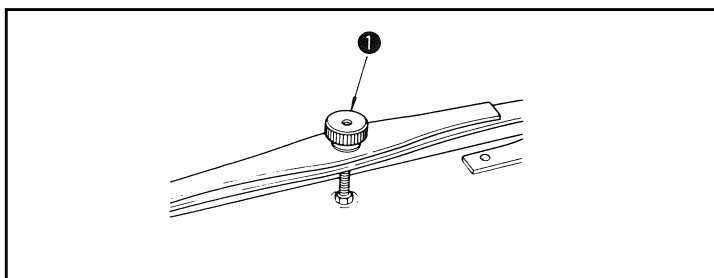
Faire tourner les écrous de réglage ① dans le sens des aiguilles d'une montre pour augmenter la tension du fil de l'aiguille. Et inversement, faire tourner les écrous dans le sens inverse des aiguilles d'une montre pour diminuer la tension du fil de l'aiguille.



(2) Réglage de la tension du fil du boucleur

Faire tourner les boutons de réglage ② dans le sens des aiguilles d'une montre pour augmenter la tension du fil de l'aiguille. Et inversement, faire tourner les boutons dans le sens inverse des aiguilles d'une montre pour diminuer la tension du fil du boucleur.

9. RÉGLAGE DE LA PRESSION DU PIED PRESSEUR



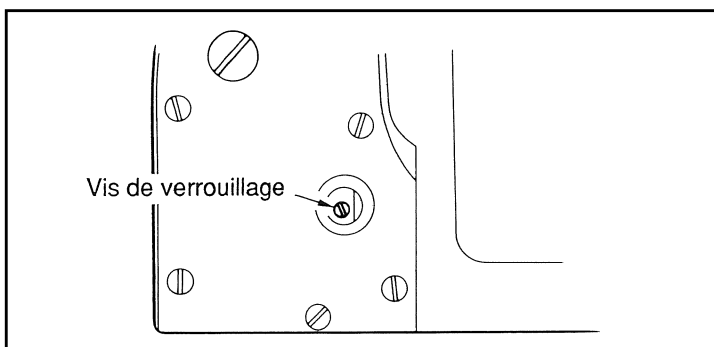
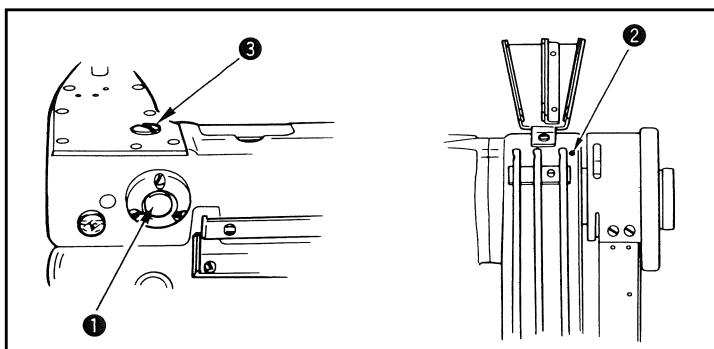
Faire tourner le régulateur du ressort du presseur ① dans le sens des aiguilles d'une montre pour augmenter la pression du pied presseur. Et inversement, faire tourner le régulateur dans le sens inverse des aiguilles d'une montre pour diminuer la pression.

10. REGLAGE DE LA LONGUEUR DES POINTS



AVERTISSEMENT :

Pour ne pas risquer des blessures causées par une brusque mise en marche de la machine, toujours la mettre hors tension et s'assurer que le moteur est au repos avant d'effectuer les opérations suivantes.



- 1) Dévisser et retirer la vis ③ et desserrer la vis de verrouillage de la came à basculement de l'entraînement du tissu.
- 2) Tout en pressant légèrement le bouton-poussoir ①, faire tourner manuellement le volant.
- 3) Lorsque le bouton-poussoir mord, la machine à coudre cesse de fonctionner.
- 4) Dans l'état susmentionné, presser davantage le bouton-poussoir ① et faire tourner manuellement le volant.
- 5) Aligner la graduation (indiquant la valeur désirée) avec le point d'indication ② gravé sur le couvercle de l'engrenage à pignon denté. Puis, relâcher le bouton-poussoir.
- 6) Resserrer la vis de verrouillage de la came à basculement d'entraînement.
- 7) Revisser la vis ③ à sa position initiale.

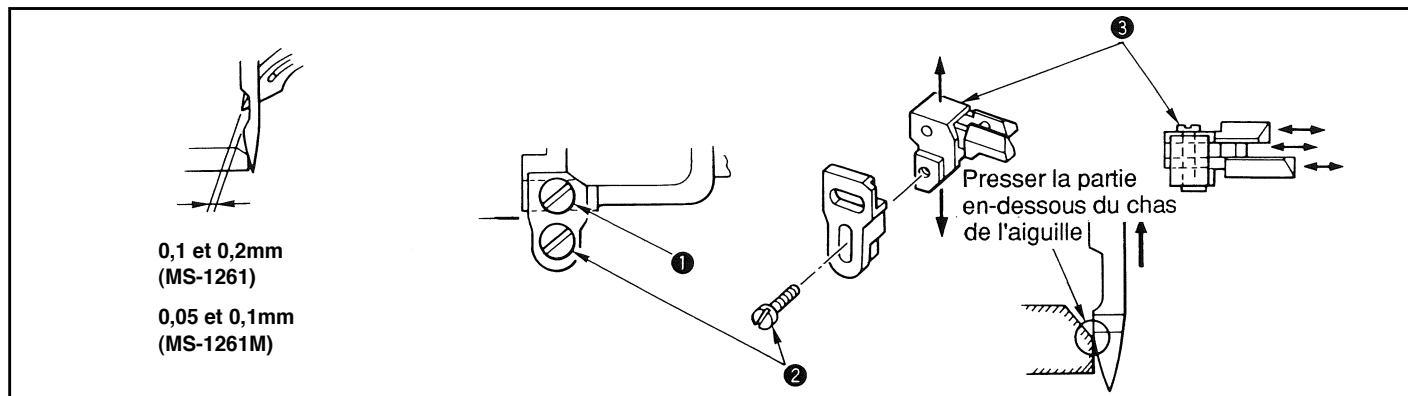
- (Attention) 1. Ne jamais presser le bouton-poussoir ① alors que la machine à coudre est en opération.**
- 2. Veiller sans faute à opérer la machine à coudre après avoir resserré la vis de verrouillage.**
- 3. Ne jamais opérer la machine alors que la vis ③ a été retirée.**
- 4. La vis de blocage comporte une vis de fixation pour empêcher la vis de se desserrer.**
La tête de la vis de blocage peut être endommagée si vous la retirez avec force.

11. REGLAGE DU GARDE-AIGUILLE



AVERTISSEMENT :

Pour ne pas risquer des blessures causées par une brusque mise en marche de la machine, toujours la mettre hors tension et s'assurer que le moteur est au repos avant d'effectuer les opérations suivantes.



Le garde-aiguille a été monté sur la griffe d'entraînement. Il est par conséquent nécessaire de régler le garde-aiguille à chaque fois que l'on modifie la quantité d'entraînement.

(Régler l'écartement existant entre l'aiguille et le boucleur)

- 1) Faire tourner le volant afin que l'extrémité supérieure du boucleur soit aligné avec le centre de l'aiguille.
- 2) Desserrer la vis ①, déplacer l'ensemble de l'unité du garde-aiguille soit vers la droite soit vers la gauche afin que le garde-aiguille presse l'aiguille de telle manière qu'un écartement compris entre 0,1 et 0,2 mm soit assuré entre le boucleur et l'aiguille. (0,05 et 0,1 mm pour MS-1261M)

(Régler la position verticale du garde-aiguille)

- 1) Faire tourner le volant afin de placer le garde-aiguille à une position où le garde-aiguille commence à appuyer sur l'aiguille.
- 2) Desserrer la vis ② et déplacer l'ensemble de l'unité du garde-aiguille vers le haut ou vers le bas de telle manière que le garde-aiguille soit dans une position où il ne presse ni ne déforme les boucles de fil de l'aiguille (juste en-dessous du chas de l'aiguille).

(Régler les écartements entre les aiguilles et les boucleurs respectifs)

Si les écartements entre les boucleurs et les aiguilles respectifs ne sont pas égaux après que l'écartement entre chaque aiguille et boucleur a été réglé en déplaçant l'ensemble de l'unité du garde-aiguille, régler en suivant les étapes indiquées ci-dessous afin qu'un écartement égal soit assuré entre les boucleurs et les aiguilles respectifs.

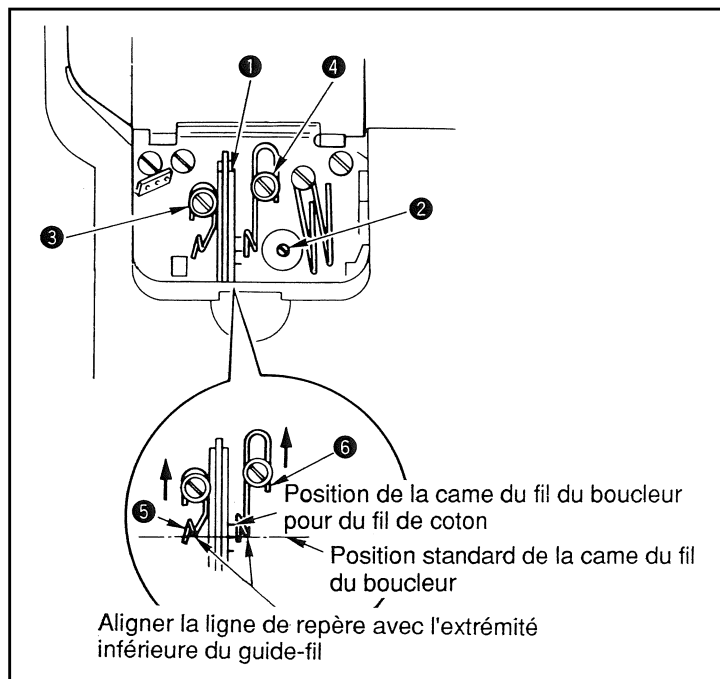
- 1) Faire tourner le volant de telle manière que l'extrémité supérieure du boucleur soit aligné avec le centre de l'aiguille.
- 2) Desserrer la vis ③, déplacer les garde-aiguille respectifs afin de régler en vue d'assurer un écartement égal entre les aiguilles et les boucleurs respectifs.

12. REGLAGE DE LA CAME DU FIL DU BOUCLEUR



AVERTISSEMENT :

Pour ne pas risquer des blessures causées par une brusque mise en marche de la machine, toujours la mettre hors tension et s'assurer que le moteur est au repos avant d'effectuer les opérations suivantes.



Desserrer la vis ② et régler la came du fil du boucleur ① de telle sorte que le boucleur commence à tirer le fil lorsque qu'il commence à retourner à sa position initiale de départ après qu'il a avancé au maximum.

(1) Réglage du guide-fil de la came du fil du boucleur

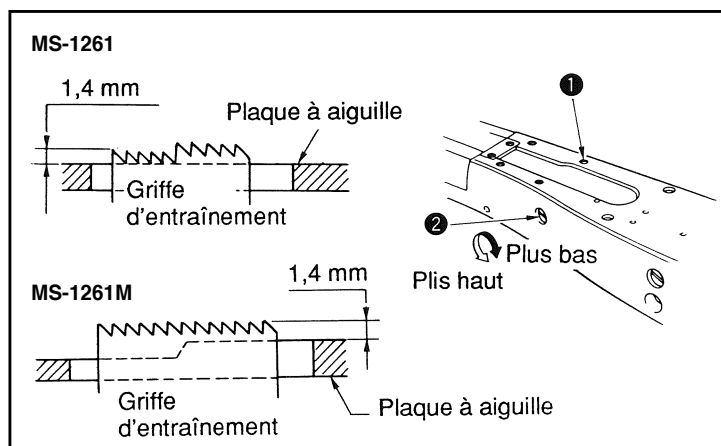
- 1) Aligner la face d'extrémité du guide-fil ⑥ avec la ligne de repère sur le guide-fil ⑥. Puis régler le guide-fil ⑤ de telle manière que sa face d'extrémité soit au même niveau que la face d'extrémité du guide-fil ⑥.
- 2) La position standard du guide-fil est obtenue lorsque la face d'extrémité du guide-fil est alignée avec le centre de la ligne de repère.
- 3) Lorsque vous utilisez un fil de coton, desserrer les vis ③ et ④ et aligner les faces d'extrémité des guide-fil ⑤ et ⑥ avec la ligne de repère située du côté éloigné. A ce moment, il n'est pas nécessaire de régler à nouveau le minutage de la came du fil du boucleur.

13. HAUTEUR DE LA GRIFFE D'ENTRAÎNEMENT



AVERTISSEMENT :

Pour ne pas risquer des blessures causées par une brusque mise en marche de la machine, toujours la mettre hors tension et s'assurer que le moteur est au repos avant d'effectuer les opérations suivantes.



L'extrémité supérieure de la griffe d'entraînement devra s'élever de 1,4 mm au-dessus de la surface de la plaque à aiguille lorsque la griffe d'entraînement est dans la position la plus haute de sa course.

(1) Réglage de la hauteur de la griffe d'entraînement

- 1) Desserrer la vis ① sur la plaque latérale du socle et la retirer.
- 2) Retirer la vis ① et desserrer la vis à tête à six pans creux qui est située sous la vis ① avec une clé hexagonale coudée en L.
- 3) Régler la hauteur de la griffe d'entraînement en tournant l'arbre de réglage de la quantité d'entraînement ②.
- 4) Fixer et bloquer l'arbre avec la vis à tête à six pans creux et resserrer la vis ①.

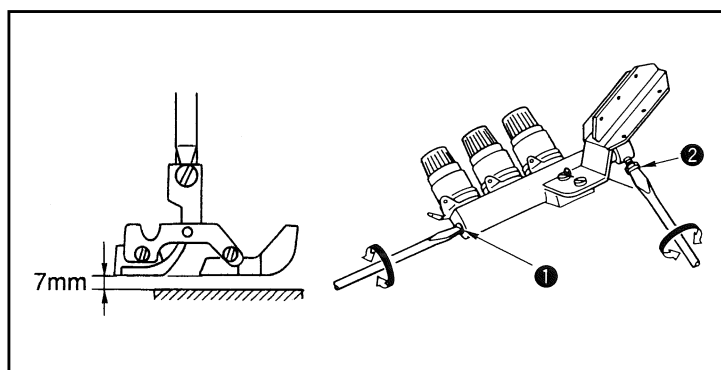
(ATTENTION) Il n'est pas nécessaire de fixer fermement l'arbre de réglage de la quantité d'entraînement ②.

14. MINUTAGE POUR LIBÉRER LA TENSION DU FIL DE L'AIGUILLE



AVERTISSEMENT :

Pour ne pas risquer des blessures causées par une brusque mise en marche de la machine, toujours la mettre hors tension et s'assurer que le moteur est au repos avant d'effectuer les opérations suivantes.



Régler de telle sorte que la tension du fil de l'aiguille soit libérée lorsque le pied presseur est relevé de 7 mm au-dessus de la surface de la plaque à aiguille. Desserrer la vis ② dans l'arbre de libération de la tension du fil ①, et régler le minutage concernant la libération de la tension du fil de l'aiguille en tournant l'arbre soit dans le sens des aiguilles d'une montre soit en sens inverse.

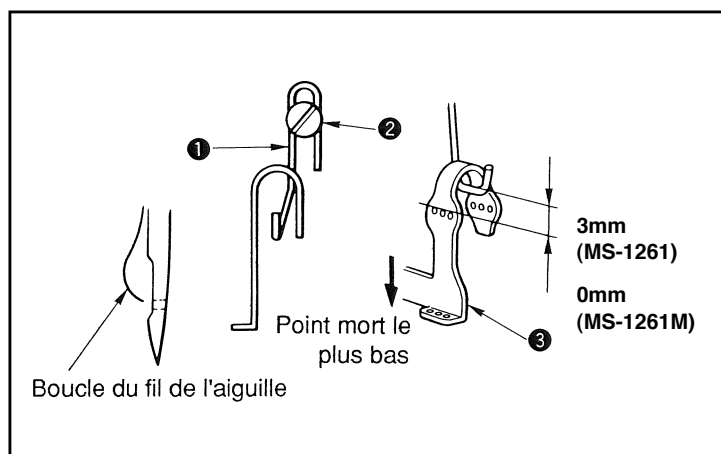
Noter que le pied presseur doit être fixé à la barre de presseur de telle manière que le pied presseur soit aligné avec l'extrémité inférieure de la barre de presseur.

15. REGLER LE LEVIER DE COMMANDE DE LA TENSION DU FIL DE RELEVAGE



AVERTISSEMENT :

Pour ne pas risquer des blessures causées par une brusque mise en marche de la machine, toujours la mettre hors tension et s'assurer que le moteur est au repos avant d'effectuer les opérations suivantes.



La taille de la boucle du fil de l'aiguille est déterminée en réglant la position du levier de commande de la tension du fil de relevage ①.

La taille de la boucle du fil de l'aiguille change en fonction du fil et de la matière utilisés. Par conséquent, régler la taille de la boucle du fil selon le cas.

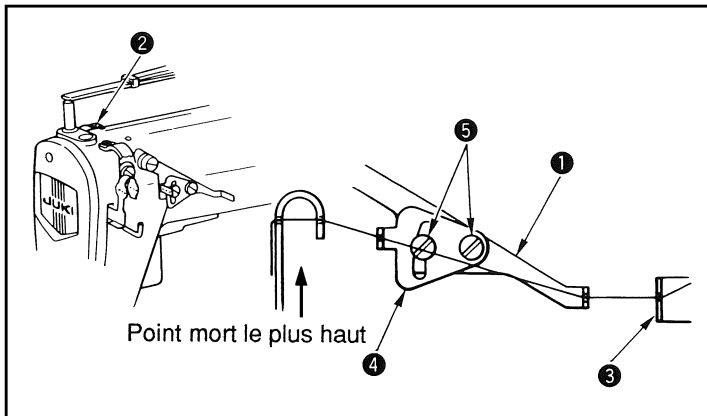
- 1) Desserrer les deux vis ② et régler la position du guide du levier de relevage du fil en le déplaçant soit vers le haut soit vers le bas.
- 2) Régler de telle sorte que lorsque la barre à aiguille est au point mort le plus bas, l'extrémité supérieure du levier de commande de la tension du fil soit positionnée 3 mm au-dessus de l'extrémité supérieure de l'orifice de l'aiguille dans le levier de relevage du fil de la barre à aiguille ③. (0 mm pour MS-1261M)
- 3) L'abaissement du levier de commande de la tension du fil ① permet de diminuer la taille de la boucle. Et inversement, le relevage du levier de commande permet de l'augmenter.

16. POSITION DU LEVIER DE LIBERATION DE LA TENSION DU FIL INTERMEDIAIRE ET DU GUIDE-FIL DU REGULATEUR DE TENSION DU FIL DE L'AIGUILLE



AVERTISSEMENT :

Pour ne pas risquer des blessures causées par une brusque mise en marche de la machine, toujours la mettre hors tension et s'assurer que le moteur est au repos avant d'effectuer les opérations suivantes.



Régler la position du levier de libération de la tension du fil intermédiaire ① et du guide-fil ④ du régulateur de tension du fil de l'aiguille de la manière indiquée ci-dessous.

- 1) Faire tourner le volant pour amener la barre à aiguille au point mort le plus haut.
- 2) Dévisser la vis ② et régler la position du levier de libération de la tension du fil intermédiaire ① de telle sorte que le fil provenant du guide-fil de l'aiguille intermédiaire ③ se trouve parallèle au levier de libération de la tension du fil intermédiaire.
- 3) Puis, desserrer les deux vis ⑤ et régler la position du guide-fil ④ du régulateur de la tension du fil de l'aiguille de telle sorte que le fil provenant du levier de libération de la tension du fil intermédiaire ① fasse une ligne directe.

17. VITESSE DE COUTURE ET DE LA POULIE DU MOTEUR

- 1) Utiliser un moteur à embrayage triphasé et de 400 W.
Pour le servo-moteur, un socle de montage pour le synchronisateur est disponible en option.
- 2) Utiliser une courroie trapézoïdale de type M.
- 3) La relation entre la poulie à moteur et la vitesse de couture de la machine à coudre correspond à celle indiquée dans le tableau ci-dessous :

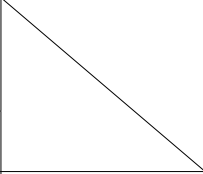
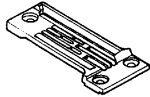
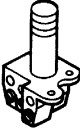
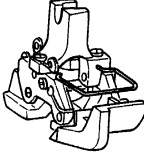
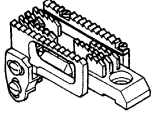
Modèle	Vitesse de rotation de la machine	Diamètre utile du volant	Nombre de pôles du moteur	Fréquence	Vitesse de rotation du moteur	Diamètre utile de la poulie du moteur
MS-1261 MS-1261M	3.600 sti/min	67.4mm	2	50Hz	2.860 tr/mn	85mm
				60Hz	3.430 tr/mn	70mm
	3.000 sti/min			50Hz	2.860 tr/mn	70mm
				60Hz	3.430 tr/mn	60mm

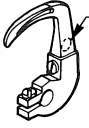
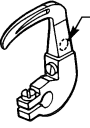
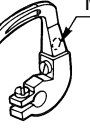
★ Le diamètre réel de la poulie du moteur est obtenu en soustrayant 5 mm au diamètre extérieur.

★ Le sens de rotation du moteur doit s'effectuer dans le sens inverse des aiguilles d'une montre quand on l'observe depuis le volant. Veiller à ce que le moteur ne tourne pas dans le sens contraire.

18. TABLEAU DES EQUIPEMENTS INTERCHANGEABLES

(1) MS-1261 (pour matières extra-lourdes)

Nom de la pièce			1	2	3	4	5					
			Jeu d'équipement interchangeable (avec protège-doigts)	Plaque à aiguille	Pince-aiguille (ensemble)	Pied presseur (ensemble) (avec protège-doigts)	Griffe d'entraînement (ensemble)					
Ecartement des aiguilles												
Code	Pouce	mm										
E	7/32	5,6						12954061	12954004	12956355	12957163	12965158
F	1/4	6,4						12953964	12953907	12956256	12957064	12965059
G	9/32	7,2						12954160	12954103	12956454	12957262	12965257
H	5/16	8,0						12954269	12954202	12956553	12957361	12965356
K	3/8	9,5	12954368	12954301	12956652	12957460	12965455					

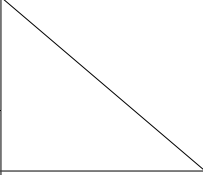
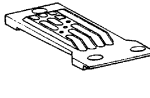
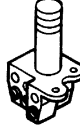
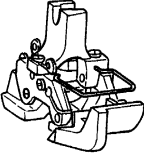
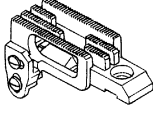
Nom de la pièce			6	7	8						
			Boucleur (ensemble gauche)	Boucleur (ensemble droit)	Boucleur (ensemble central)						
Ecartement des aiguilles											
Code	Pouce	mm									
E	7/32	5,6				12968558	1	12968855	1	12969150	1
F	1/4	6,4									
G	9/32	7,2				12968657	2	12968954	2		
H	5/16	8,0									
K	3/8	9,5									

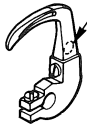

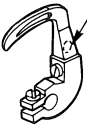
9. Pièce d'écartement pour griffe d'entraînement (pour MS-1261)

N°	Epaisseur de la plaque (mm)	N° de pièce	Nom de la pièce
①	0,3	12976601	Plaque de réglage B de la griffe d'entraînement
②	0,8	12976700	Plaque de réglage C de la griffe d'entraînement
③	1,0	12976809	Plaque de réglage D de la griffe d'entraînement

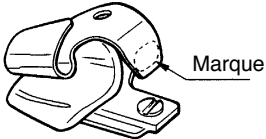
* La entretoise n'est pas inclus dans l'équipement interchangeable.

(2) MS-1261M (pour matières moyennement lourdes)

Nom de la pièce			1	2	3	4	5					
			Jeu d'équipement interchangeable (avec protège-doigts)	Plaque à aiguille	Pince-aiguille (ensemble)	Pied presseur (ensemble) (avec protège-doigts)	Griffe d'entraînement (ensemble)					
Ecartement des aiguilles												
Code	Pouce	mm										
E	7/32	5,6						12954665	12954608	12956355	12956165	12970059
F	1/4	6,4						12954566	12954509	12956256	12956066	12969952
G	9/32	7,2						12954764	12954707	12956454	12956769	12970158
H	5/16	8,0						12954863	12954806	12956553	12956868	12970257
K	3/8	9,5	12954962	12954905	12956652	12956967	12970356					

			6	7	8	
Nom de la pièce			Boucleur (ensemble gauche)	Boucleur (ensemble droit)	Boucleur (ensemble central)	
Ecartement des aiguilles			 Marque	 Marque	 Marque	
Code	Pouce	mm	Marque N°	Marque N°	Marque N°	
E	7/32	5,6	12968558	1	12968855	1
F	1/4	6,4				
G	9/32	7,2				
H	5/16	8,0	12968657	2	12968954	2
K	3/8	9,5				

(3) Remplieur

			1	2	3
Nom de la pièce			Remplieur (ensemble)		
Ecartement des aiguilles			Marque M297 MH	Marque M298 H	Marque M299 XH
Code	Pouce	mm	 Marque		
E	7/32	5,6	MAM2970DDBA	MAM2980AABA	MAM2990AABA
F	1/4	6,4	MAM2970EEBA	MAM2980BBBA	MAM2990BBBA
G	9/32	7,2	MAM2970FFBA	MAM2980CCBA	MAM2990CCBA
H	5/16	8,0	MAM2970GGBA	MAM2980DDBA	MAM2990DDBA
K	3/8	9,5	MAM2970HHBA	MAM2980EEBA	MAM2990EEBA

* Un remplieur n'est pas inclus dans l'équipement interchangeable.

Code concernant le remplieur

M297 — Pour matières moyennement lourdes
(Equipé en standard sur MS-1261M)

M298 — Pour matières lourdes (en option)

M299 — Pour matières extra-lourdes
(Equipé en standard sur MS-1261)

ESPAÑOL





ESPAÑOL

PARA GARANTIZAR EL USO SEGURO DE SU MÁQUINA DE COSER




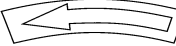


En relación con el uso de la máquina de coser, máquina automática y dispositivos auxiliares (de aquí en adelante denominados colectivamente como la “máquina”), es inevitable que el trabajo de cosido tenga que ejecutarse cerca de partes móviles de la máquina. Esto significa que siempre existe la posibilidad de que se toquen piezas móviles involuntariamente. Por lo tanto, a los operadores u operadoras que manejan la máquina y al personal de mantenimiento que ejecuta trabajos de mantenimiento y reparación de la máquina, se les recomienda leer detenidamente las siguientes **Precauciones de seguridad** y tener un cabal conocimiento de las mismas antes de usar/efectuar el mantenimiento de la máquina. Estas **Precauciones de seguridad** contienen aspectos no incluidos en las especificaciones del producto que haya adquirido.

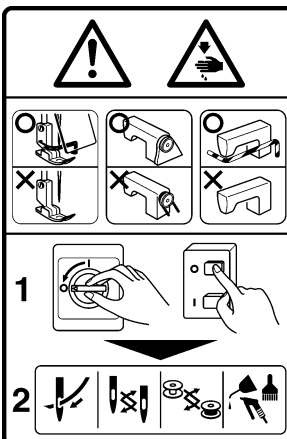
Las indicaciones de riesgo se clasifican en las siguientes tres categorías diferentes, para que los usuarios puedan entender el significado de las etiquetas. Asegúrese de entender cabalmente la siguiente descripción y observar las instrucciones estrictamente.

(I) Explicación de niveles de riesgos

	PELIGRO : Esta indicación se consigna cuando existe peligro inminente de muerte o lesiones graves si la persona encargada o cualquier tercero no maneja la máquina como es debido o no evita la situación peligrosa al manejar o efectuar el mantenimiento de la máquina.
	ADVERTENCIA : Esta indicación se consigna cuando existe la probabilidad de muerte o lesiones graves si la persona encargada o cualquier tercero no maneja la máquina como es debido o no evita la situación peligrosa al manejar o efectuar el mantenimiento de la máquina.
	PRECAUCIÓN : Esta indicación se consigna cuando hay peligro de lesiones de gravedad moderada a leve si la persona encargada o cualquier tercero no maneja la máquina como es debido o no evita la situación peligrosa al manejar o efectuar el mantenimiento de la máquina.
	Items que requieren atención especial

(II) Explicación de indicaciones de advertencia y etiquetas de advertencia pictóricas

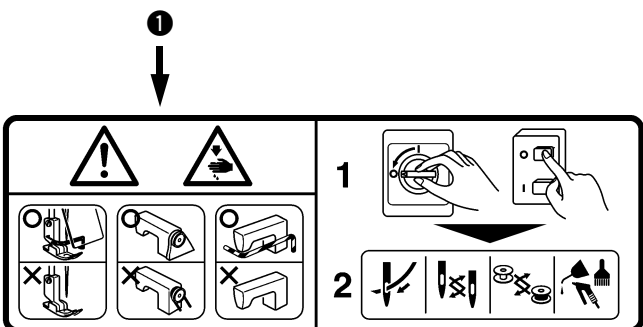
Indicaciones de advertencia pictóricas		Existe el riesgo de lesión si se toca una parte móvil.	Etiquetas de indicación		Existe el riesgo de enredo en la correa que puede resultar en lesión.
		Existe el riesgo de electrochoque si se toca una parte de alto voltaje.			Indica la dirección correcta.
		Existe el riesgo de quemadura si se toca una parte de alta temperatura.			Indica la conexión de un cable a tierra.



1

2

3



1

2

3

- 1 • Existe la posibilidad de que se cause una lesión grave o muerte.
• Existe la posibilidad de que se cause una lesión al tocar alguna parte en movimiento.
- 2 • Realizar el trabajo de cosido con el protector de seguridad.
• Realizar el trabajo de cosido con la cubierta de seguridad.
• Realizar el trabajo de cosido con el dispositivo protector de seguridad.
- 3 • Asegúrese de desconectar la corriente eléctrica antes de ejecutar el “enhebrado del cabezal de la máquina”, “cambio de aguja”, “cambio de bobina” o “aceitado y limpieza”.

PRECAUCIONES DE SEGURIDAD

Accidente significa
"causar lesiones
corporales o muerte o
daños a la propiedad".



PELIGRO

1. Cuando sea necesario abrir la caja de control que contiene piezas eléctricas, asegúrese de desconectar la corriente eléctrica y esperar unos cinco minutos o más antes de abrir la cubierta, para evitar accidentes que resulten en electrochoques.



PRECAUCIÓN

Precauciones básicas

1. Antes de usar la máquina, asegúrese de leer el manual de instrucciones y otros documentos explicativos que se suministran con los accesorios de la máquina. Tenga a mano el manual de instrucciones y los documentos explicativos para su rápida consulta.
2. Esta sección contiene aspectos no incluidos en las especificaciones del producto que haya adquirido.
3. Asegúrese de utilizar gafas protectoras para protegerse contra accidentes causados por la rotura de agujas.
4. Las personas que usan marcapasos deben consultar con un médico especialista antes de usar la máquina.

Dispositivos de seguridad y etiquetas de advertencia

1. Asegúrese de usar la máquina después de verificar que el(los) dispositivo(s) de seguridad está(n) instalados correctamente en su lugar y funcionan normalmente, para evitar accidentes causados por falta de tal(es) dispositivo(s).
2. Si se ha retirado cualquiera de los dispositivos de seguridad, asegúrese de reinstalarlo y verificar que trabaja normalmente, para evitar accidentes que puedan resultar en lesiones corporales o muerte.
3. Asegúrese de mantener las etiquetas de advertencia adheridas a la máquina en un lugar claramente visible, para evitar accidentes que puedan resultar en lesiones corporales o muerte. En caso de que cualquiera de las etiquetas se haya ensuciado o despegado, asegúrese de reemplazarla con una nueva.

Aplicación y modificación

1. Nunca use la máquina en una aplicación distinta de la destinada y de ninguna manera distinta de la descrita en el manual de instrucciones, para evitar accidentes que puedan resultar en lesiones corporales o muerte. JUKI no se responsabiliza por ningún daño o lesión corporal o muerte resultante del uso de la máquina en una aplicación distinta de la destinada.
2. Nunca modifique ni altere la máquina, para evitar accidentes que puedan resultar en lesiones corporales o muerte. JUKI no se responsabiliza por ningún daño o lesión corporal o muerte resultante de la máquina que haya sido modificada o alterada.

Instrucción y adiestramiento

1. Para evitar accidentes resultantes de la falta de familiaridad con la máquina, la máquina deberá ser usada sólo por el operador o la operadora que haya recibido instrucción/adiestramiento por el empleador con respecto a la operación de la máquina y la forma de operar la máquina con seguridad, y posea debido conocimiento de la misma y habilidades para su operación. Para asegurar lo anterior, el empleador debe implantar un plan de instrucción/adiestramiento para sus operadores u operadoras e impartirles dicha instrucción/adiestramiento con antelación.

Situaciones en que es necesario desconectar la corriente eléctrica de la máquina

Desconexión de la corriente eléctrica: Significa desactivar el interruptor de la corriente eléctrica y luego desenchufar del tomacorriente el enchufe del cable eléctrico. Esto es aplicable a lo siguiente:

1. Asegúrese de desconectar la corriente eléctrica de inmediato en caso de que se detecte alguna anomalía o falla o en caso de un corte eléctrico, para protegerse contra accidentes que puedan resultar en lesiones corporales o muerte.
2. Para protegerse contra accidentes resultantes del arranque brusco o inesperado de la máquina, asegúrese de desconectar la corriente eléctrica antes de llevar a cabo las siguientes operaciones. Para la máquina equipada con un motor de embrague, en particular, asegúrese de desconectar la corriente eléctrica y verificar que la máquina se haya detenido por completo antes de llevar a cabo las siguientes operaciones.
 - 2-1. Por ejemplo, enhebrado de partes tales como aguja, enlazador, estiradora, etc. que deben enhebrarse, o cambio de bobina.
 - 2-2. Por ejemplo, cambio o ajuste de todos los componentes de la máquina.
 - 2-3. Por ejemplo, al inspeccionar, reparar o limpiar la máquina o al alejarse de la máquina.
3. Asegúrese de desenchufar el cable de la corriente eléctrica sosteniendo la parte del enchufe y no del cable en sí, para evitar accidentes por electrochoque, fuga a tierra o fuego.
4. Asegúrese de desconectar la corriente eléctrica cuando deje la máquina desatendida entre trabajo y trabajo.
5. Asegúrese de desconectar la corriente eléctrica en caso de un corte eléctrico, para evitar accidentes resultantes de averías de componentes eléctricos.

PRECAUCIONES A TOMAR EN DIVERSAS ETAPAS DE OPERACIÓN

Transporte

1. Asegúrese de levantar y mover la máquina de forma segura teniendo en cuenta el peso de la máquina. Consulte el manual de instrucciones para confirmar la masa de la máquina.
2. Antes de levantar o mover la máquina, asegúrese de adoptar suficientes medidas de seguridad para evitar la caída de la máquina, para protegerse contra accidentes que puedan resultar en lesiones corporales o muerte.

3. Una vez que se haya desembalado la máquina, no la vuelva a embalar para su transporte, para proteger la máquina contra averías resultantes de la caída o accidente imprevisto.

Desembalaje

1. Asegúrese de desembalar la máquina en la secuencia prescrita para evitar accidentes que puedan resultar en lesiones corporales o muerte. En particular, en caso de que la máquina venga encajonada, asegúrese de comprobar los clavos con cuidado. Los clavos deben eliminarse.
2. Asegúrese de comprobar la posición del centro de gravedad de la máquina y sacarla del embalaje con cuidado, para evitar accidentes que puedan resultar en lesiones corporales o muerte.

Instalación

(I) Mesa y pedestal de la mesa

1. Asegúrese de usar la mesa y el pedestal de la mesa legítimos de JUKI, para evitar accidentes que puedan resultar en lesiones corporales o muerte. Si es inevitable usar una mesa y un pedestal de mesa distintos de los legítimos de JUKI, asegúrese de que los mismos puedan soportar el peso de la máquina y la fuerza de reacción durante su operación.
2. Si se colocan roldanas pivotantes al pedestal de la mesa, asegúrese de usar roldanas pivotantes con mecanismo de enclavamiento y enclavarlas para inmovilizar la mesa durante la operación, mantenimiento, inspección y reparación de la máquina, para evitar accidentes que puedan resultar en lesiones corporales o muerte.

(II) Cable y cableado

1. Asegúrese de que el cable no esté expuesto a una fuerza extra durante su uso para evitar accidentes por electrochoque, fuga a tierra o fuego. Además, si fuere necesario cablear cerca de una sección de operación tal como la correa en V, asegúrese de que exista una separación de 30 mm o más entre la sección de operación y el cable.
2. Asegúrese de evitar la conexión múltiple tipo pulpo, para evitar accidentes por electrochoque, fuga a tierra o fuego.
3. Asegúrese de conectar firmemente los conectores, para evitar accidentes por electrochoque, fuga a tierra o fuego. Además, al retirar un conector, asegúrese de hacerlo sosteniendo el conector propiamente dicho y no tirando del cable.

(III) Conexión a tierra

1. Asegúrese de que sea un electricista calificado quien instale el enchufe, para evitar accidentes causados por fuga a tierra o falla de tensión dieléctrica. Además, asegúrese de conectar el enchufe a un tomacorriente conectado a tierra indefectiblemente.
2. Asegúrese de conectar a tierra el cable de tierra, para evitar accidentes causados por fuga a tierra.

(IV) Motor

1. Asegúrese de usar un motor del régimen especificado (producto legítimo de JUKI), para evitar accidentes causados por destrucción por calentamiento.
2. Si utiliza un motor de embrague disponible en el mercado, asegúrese de seleccionar uno equipado con cubierta de la polea a prueba de enredos, para protegerla contra el riesgo de que se enrede con la correa en V.

Antes de la operación

1. Antes de conectar la corriente eléctrica, asegúrese de comprobar que los conectores y cables estén libres de daño, no estén desprendidos ni flojos, para evitar accidentes que puedan resultar en lesiones corporales o muerte.
2. Nunca ponga sus manos en las partes móviles de la máquina, para evitar accidentes que puedan resultar en lesiones corporales o muerte. Además, compruebe para asegurarse de que la dirección de rotación de la polea concuerde con la flecha indicada en la polea.
3. Si se usa el pedestal de la mesa provisto de roldanas pivotantes, asegúrese de inmovilizar el pedestal de la mesa enclavando las roldanas pivotantes o con ajustadores, si están provistos, para evitar accidentes causados por el arranque brusco de la máquina.

Durante la operación

1. Asegúrese de no poner sus dedos, cabello o ropa cerca de partes móviles tales como volante, polea de mano y motor, ni coloque nada cerca de esas partes cuando la máquina está en funcionamiento, para evitar accidentes causados por enredos que puedan resultar en lesiones corporales o muerte.
2. Al conectar la corriente eléctrica o cuando la máquina está en funcionamiento, asegúrese de no poner sus dedos cerca del área circundante a la aguja o dentro de la cubierta de la palanca toma-hilo, para evitar accidentes que puedan resultar en lesiones corporales o muerte.
3. La máquina marcha a alta velocidad. Por lo tanto, nunca ponga sus manos cerca de partes móviles tales como enlazador, estiradora, barra de agujas, gancho y cuchilla de corte de tela durante la operación, para proteger sus manos contra lesiones. Además, antes de cambiar el hilo, asegúrese de desconectar la corriente eléctrica y comprobar que la máquina está completamente parada.
4. Al mover la máquina de la mesa o colocarla de nuevo sobre la mesa, tenga cuidado para no permitir que sus dedos u otras partes de su cuerpo queden atrapados entre la máquina y la mesa, para evitar accidentes que puedan resultar en lesiones corporales o muerte.
5. Antes de retirar la cubierta de la correa y la correa en V, asegúrese de desconectar la corriente eléctrica y comprobar que la máquina y el motor están completamente parados, para evitar accidentes causados por el arranque brusco de la máquina o el motor.
6. Si se usa un servomotor con la máquina, el motor no genera ruido cuando la máquina está en reposo. Por lo tanto, asegúrese de no olvidarse de desconectar la corriente eléctrica, para evitar accidentes causados por el arranque brusco del motor.
7. Nunca use la máquina con el orificio de enfriamiento de la caja de alimentación del motor tapado, para evitar que se genere fuego por sobrecalentamiento.

Lubricación

1. Asegúrese de utilizar el aceite legítimo de JUKI y la grasa legítima de JUKI en las partes que deben lubricarse.
2. Si el aceite entra en contacto con sus ojos o cuerpo, asegúrese de eliminarla y lavarse de inmediato, para evitar la inflamación o irritación.
3. Si ingiere el aceite accidentalmente, asegúrese de consultar con un médico de inmediato, para evitar el vómito o diarrea.



Mantenimiento


1. Para evitar accidentes causados por la falta de familiaridad con la máquina, los trabajos de reparación y ajuste deben ser efectuados por un técnico de servicio debidamente familiarizado con la máquina dentro del alcance definido en el manual de instrucciones. Asegúrese de utilizar repuestos legítimos de JUKI al reemplazar cualquiera de las piezas de la máquina. JUKI no se responsabiliza por ningún accidente causado por la reparación o el ajuste indebido o el uso de repuestos que no sean los legítimos de JUKI.
2. Para evitar accidentes causados por la falta de familiaridad con la máquina o accidentes por electrocuciones, asegúrese de encargar el trabajo de reparación y mantenimiento (incluyendo el cableado) de componentes eléctricos a un técnico electricista de su compañía o a JUKI o el distribuidor en su área.
3. Cuando efectúe la reparación o el mantenimiento de la máquina que emplea partes neumáticas tal como cilindro de aire, asegúrese de retirar con antelación el tubo de suministro de aire para expulsar el aire remanente en la máquina, para evitar accidentes causados por el arranque brusco de las partes neumáticas.
4. Al término de la reparación, el ajuste y reemplazo de piezas, asegúrese de comprobar que los tornillos y tuercas estén apretados firmemente.
5. Asegúrese de limpiar la máquina periódicamente durante su uso. Antes de realizar la limpieza de la máquina, asegúrese de desconectar la corriente eléctrica y verificar que tanto la máquina como el motor estén completamente parados, para evitar accidentes causados por el arranque brusco de la máquina o el motor.
6. Antes de realizar el mantenimiento, inspección o reparación de la máquina, asegúrese de desconectar la corriente eléctrica y verificar que tanto la máquina como el motor estén completamente parados. (Para la máquina equipada con motor de embrague, el motor continuará funcionando durante un rato por inercia aun cuando se desconecte la corriente eléctrica. Por lo tanto, tenga cuidado.)
7. Si tras su reparación o ajuste, la máquina no funciona normalmente, detenga de inmediato su funcionamiento y póngase en contacto con JUKI o el distribuidor de su área para su reparación, para evitar accidentes que puedan resultar en lesiones corporales o muerte.
8. Si se ha quemado el fusible, asegúrese de desconectar la corriente eléctrica, eliminar la causa de la quemadura del fusible y reemplazar el fusible con uno nuevo, para evitar accidentes que puedan resultar en lesiones corporales o muerte.
9. Asegúrese de limpiar periódicamente el orificio de ventilación del ventilador e inspeccionar el área circundante al cableado, para evitar accidentes por fuego del motor.

Ambiente operativo


1. Asegúrese de utilizar la máquina en un ambiente no expuesto a una fuente de ruidos fuertes (ondas electromagnéticas) tal como una soldadora de alta frecuencia, para evitar accidentes causados por el malfuncionamiento de la máquina.
2. Nunca utilice la máquina en un lugar en que la fluctuación del voltaje supere el “voltaje nominal $\pm 10\%$ ”, para evitar accidentes causados por el malfuncionamiento de la máquina.
3. Antes de usar cualquier dispositivo neumático tal como el cilindro de aire, asegúrese de que funcione a la presión de aire especificada, para evitar accidentes causados por el malfuncionamiento de la máquina.
4. Para utilizar la máquina en condiciones de seguridad, asegúrese de utilizarla en un ambiente que satisfaga las siguientes condiciones:
Temperatura ambiente durante su operación: 5°C a 35°C
Humedad relativa durante su operación: 35% a 85%
5. Puede haber condensación de rocío si la máquina se muda de un ambiente frío a uno cálido. Por lo tanto, asegúrese de conectar la corriente eléctrica después de haber esperado durante suficiente tiempo hasta que no haya señales de gotas de agua, para evitar accidentes causados por avería o malfuncionamiento de los componentes eléctricos.
6. Para garantizar la seguridad, asegúrese de detener la operación de la máquina cuando haya rayos y truenos y retire el enchufe del tomacorriente, para evitar accidentes causados por avería o malfuncionamiento de los componentes eléctricos.
7. Dependiendo de la condición de las señales de ondas radioeléctricas, la máquina podría generar ruido en el aparato de televisión o radio. Si esto ocurre, use el aparato de televisión o radio lejos de la máquina.
8. Para el trabajador que participa en el trabajo a realizar en el medio ambiente relacionado con el “valor de ruido en el ambiente de trabajo es de 85 dB o más y menos de 90 dB”, asegúrese de adoptar las medidas adecuadas, según se requieran, tal como el uso de protectores de oídos o similar para proteger al trabajador contra riesgos contra su salud. Adicionalmente, para el trabajador que participa en el trabajo a realizar en el medio ambiente relacionado con el “nivel de ruido en el ambiente de trabajo es de 90 dB o más”, asegúrese de instruir al trabajador para que use protectores de oídos indefectiblemente que lo protejan contra riesgos contra su salud, y desplegar, en un lugar fácilmente visible por el trabajador, un cartel que explique cómo usar los protectores de oídos.
9. Elimine como es debido los embalajes de la máquina de coser y el aceite lubricante usado, de acuerdo con la legislación nacional aplicable en su país.

PARA SEGURIDAD EN LA OPERACION

	<ol style="list-style-type: none">1. Mantenga sus manos lejos de la aguja cuando posicione en ON el interruptor de la corriente eléctrica o mientras la máquina de coser esté funcionando.2. No ponga sus dedos sobre la cubierta del tirahilo cuando la máquina de coser esté funcionando.3. Mantenga sus dedos, cabello o ropa alejados del volante y palanca tomahilos, o mantenga esta área limpia cuando la máquina de coser está en funcionamiento.4. No opere la máquina de coser con su cubierta de correa y guardamano retirados.
	<ol style="list-style-type: none">1. Para mayor seguridad, antes de operar la máquina de coser, cerciórese de que el alambre de puesta a tierra de la unidad suministradora de la corriente eléctrica está conectada.2. Cuando inserte/extraiga el enchufe de la corriente eléctrica, hay que posicionar de antemano en OFF el interruptor de la corriente eléctrica.3. En tiempo de tormentas y relámpagos, interrumpa el trabajo y desconecte el enchufe de la corriente eléctrica del receptáculo para garantizar la seguridad.4. Si la máquina de coser es transportada repentinamente de un lugar frío a otro caliente, es posible que se forme rocío. En este caso, conecte la corriente eléctrica a la máquina después de confirmar que no hay peligro de que caigan gotas de agua a la máquina de coser.5. Para evitar incendios, extraiga periódicamente el enchufe de la corriente y limpie bien la parte inferior de las patillas de enchufe y los espacios intermedios de las mismas.6. El enlazador oscila a gran velocidad durante la operación de la máquina de coser. Para proteger sus dedos, mantenga sus manos alejadas del enlazador. Además, asegúrese de apagar la máquina de coser antes de enhebrar el cabezal de la máquina.7. Para evitar posibles accidentes debido a un arranque brusco de la máquina, cerciórese de desconectar de la máquina de coser la corriente eléctrica.8. Tenga cuidado al manipular este producto para evitar que le caiga agua o aceite o causarle caídas o golpes etc., dado que este producto es un instrumento de precisión.

	<p>PRECAUCIONES : Tenga presente que es posible que los dispositivos de seguridad como el “protector de ojos”, el “protector de dedos”, etc, no aparezcan en las ilustraciones de este Manual de Instrucciones que se omiten para mayor facilidad de las explicaciones. Cuando opere la máquina, cerciórese de que están bien montados todos los dispositivos de seguridad.</p>
---	--

ANTES DE LA INSTALACION

	<p>PRECAUCION : Compruebe lo siguiente para evitar un mal funcionamiento o daños a la máquina.</p>
<ul style="list-style-type: none">• Antes de operar la máquina de coser por primera vez después de instalada, límpiela bien. Quite todo el polvo acumulado durante el transporte y lubríquela bien.• Confirme que la tensión está correcta. Confirme que el enchufe de la corriente eléctrica está debidamente conectado al tomacorriente.• Nunca use la máquina en el estado en que el tipo de tensión difiera del designado.• La dirección normal de la máquina de coser es hacia la izquierda si se observa desde el lado de la polea. Ponga cuidado en no permitir que la máquina de coser gire en la dirección inversa.• Nunca opere la máquina de coser a menos que la misma esté lubricada suficientemente.• Para operar la máquina de coser, asegúrese de instalarla sobre la mesa. Luego, active (ON) el interruptor de la corriente eléctrica.• Asegúrese de retirar el hilo del cabezal de la máquina y el enlazador antes de iniciar una marcha de prueba.* Durante el primer mes tras la instalación de la máquina de coser, asegúrese de usarla a una velocidad de puntada de 2.800 sti/min. o menor.• Opere el volante después que la máquina está completamente parada.	

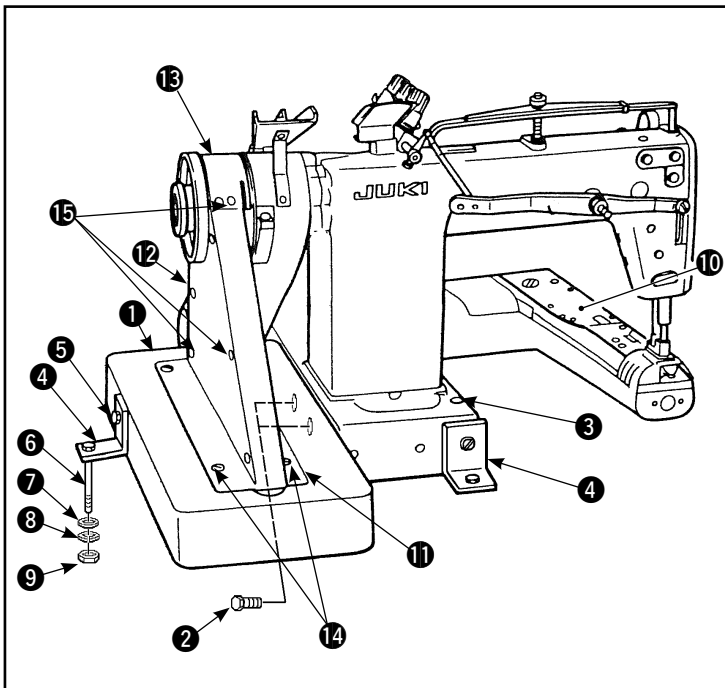
INDICE

ESPECIFICACIONES	1
1. MODO DE INSTALAR LA MÁQUINA DE COSER	1
2. MODO DE AJUSTAR LA TENSIÓN DE LA CORREA.....	2
3. MODO DE INSTALAR LA UNIDAD IMPULSORA DE AIRE.....	2
4. MODO DE INSTALAR EL ELEVADOR DE RODILLA	2
5. LUBRICACIÓN	3
6. MODO DE COLOCAR LA AGUJA.....	3
7. MODO DE ENHEBRAR EL CABEZAL DE LA MÁQUINA	4
8. TENSIÓN DEL HILO.....	4
9. MODO DE AJUSTAR LA PRESIÓN DEL PRENSATELAS	5
10. MODO DE AJUSTAR LA LONGITUD DE PUNTADA.....	5
11. MODO DE AJUSTAR EL PROTECTOR DE AGUJA	6
12. MODO DE AJUSTAR LA LEVA DEL ENLAZADOR.....	6
13. ALTURA DEL DENTADO DE TRANSPORTE	7
14. SINCRONIZACIÓN PARA RELAJAR LA TENSIÓN DEL HILO DE AGUJA	7
15. MODO DE AJUSTAR LA PALANCA CONTROLADORA DE TENSION DE HILO	7
16. POSICION DE LA PALANCA RELAJADORA DE TENSION DE HILO INTERMEDIO Y GUIA DEL HILO DEL CONTROLADOR DE TENSION DEL HILO DE AGUJA	8
17. VELOCIDAD DE COSTURA Y LA POLEA DEL MOTOR.....	8
18. TABLA DE CALIBRES REEMPLAZABLES	9

ESPECIFICACIONES

Modelo	MS-1261	MS-1261M
Aplicación	Para materiales de peso pesados y extra pesados	Para materiales de peso medio y pesados
Número de agujas	3	
Velocidad de cosido	3.600 sti/min máx. (3.000 sti/min normal)	
Aguja	ORGAN UY x 128GAS-NY #16 a #22 (estándar #21)	ORGAN UY x 128GAS-NY #16 a #22 (estándar #19)
	SCHMETZ UY128GAS Nm. 100 a Nm. 140 (estándar Nm. 130)	SCHMETZ UY x 128GAS Nm. 100 a Nm. 140 (estándar Nm. 120)
Altura del prensatelas	10 mm	
Longitud de puntada	1,4 a 4,2 mm (con un tirador de tela)	
Distancia entre agujas	7/32", 1/4" , 9/32" , 5/16" , 3/8"	
Circunferencia del cilindro	194 mm	
Aceite lubricante	JUKI New Defrix Oil No.1	
Ruido	<p>- Nivel de presión de ruido de emisión continua equivalente (L_{pA}) en el puesto de trabajo: Valor ponderado A de 83,0 dB (incluye $K_{pA} = 2,5$ dB); de acuerdo con ISO 10821-C.6.2 - ISO 11204 GR2 a 3.600 sti/min.</p> <p>- Nivel de potencia acústica (L_{WA}): Valor ponderado A de 92,5 dB (incluye $K_{WA} = 2,5$ dB); de acuerdo con ISO 10821-C.6.2 - ISO 11204 GR2 a 3.600 sti/min.</p>	

1. MODE DE INSTALAR LA MÁQUINA DE COSER



1) Cuando mueva y transporte la máquina de coser, asegúrese de hacerlo con dos personas.

(Precaución) No la sostenga por la polea.

2) No coloque ningún objeto puntiagudo, tal como un destornillador, en el lugar en que se instalará la máquina de coser.

3) Instale la base de protección **1** contra la correa en la máquina de coser con el perno de cabezal hexagonal **2**.

4) Coloque la máquina de coser sobre la mesa y determine su posición (ranura para la correa y agujero pasante **3** para el paso de la cadena del elevador de barra prensadora).

5) Instale en la máquina de coser las dos placas de apoyo **4** del cabezal de la máquina utilizando para ello el tornillo **5**. Fije las placas sobre la mesa mediante el perno hexagonal **6**, arandela **7**, arandela de resorte **8** y tuerca **9**.

6) Coloque un nivel sobre la placa **10** del lado de la base en dirección lateral y longitudinal para comprobar que la máquina de coser se encuentra colocada debidamente en posición horizontal.

7) Instale la cubierta **11** de la correa, la correa V, la tapa **12** de la cubierta de la correa, y la cubierta superior **13** sobre la máquina de coser y fíjelas con los tornillos **14** y **15**.

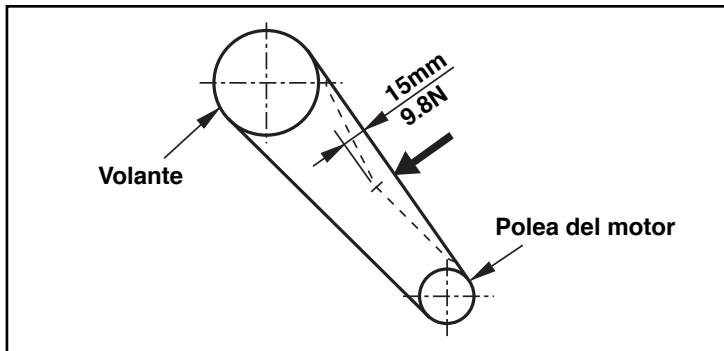
Al instalar la cubierta de la correa, apriete provisionalmente el tornillo primero. Luego, después de instalar todas las piezas relacionadas, apriete el tornillo firmemente.

2. MODO DE AJUSTAR LA TENSIÓN DE LA CORREA



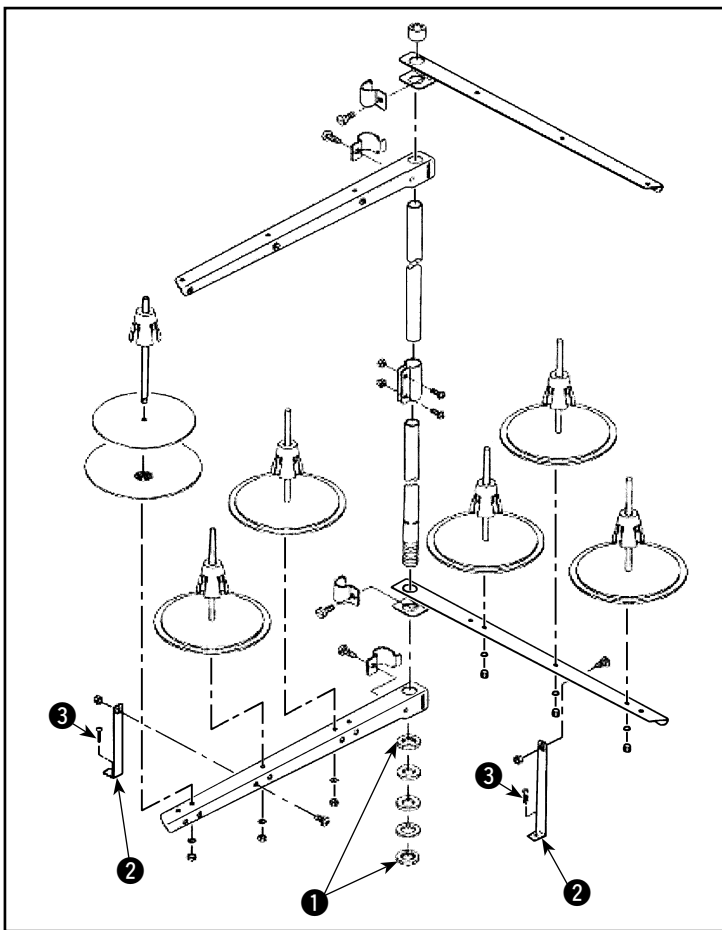
¡AVISO!

Para protegerse contra posibles lesiones personales debido a un arranque brusco de la máquina de coser, cerciórese de comenzar el siguiente trabajo después de desconectar la corriente y de estar seguro que el motor está completamente parado.



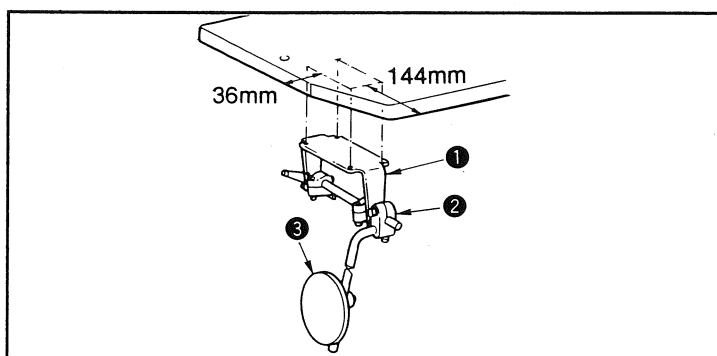
Ajuste la tensión de la correa con la altura del motor de modo que la correa haga una comba de 15 mm cuando se aplique al centro de la correa en V una carga de 9,8N.

3. MODO DE INSTALAR LA UNIDAD IMPULSORA DE AIRE



- 1) Ensamble el dispositivo de soporte de hilos. Colóquelo en el agujero de la mesa. Apriete la contratuerca **1** de modo que el soporte de hilos no se balancee.
- 2) Fije la ménsula **2** del soporte de hilos a la mesa con el tornillo de rosca para madera **3**.

4. MODO DE INSTALAR EL ELEVADOR DE RODILLA



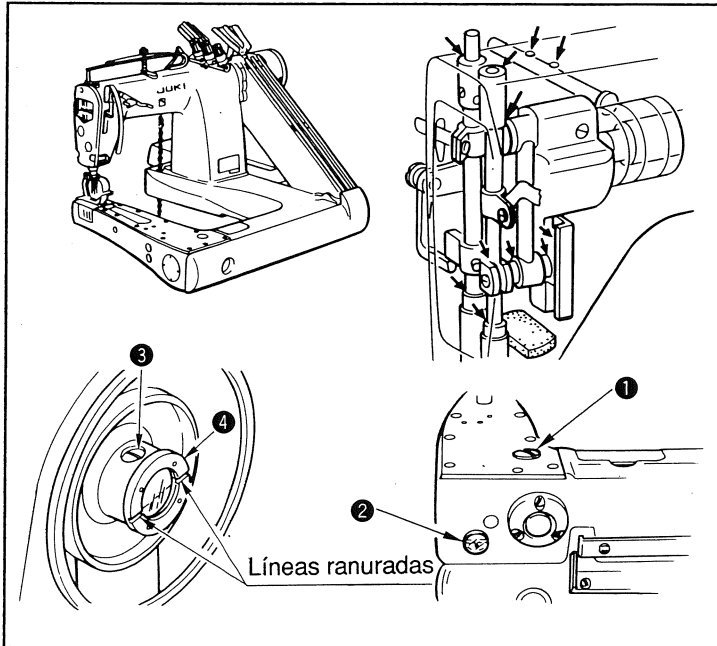
- 1) Fije la base (conjunto) **1** de montaje del elevador de rodilla en el lado inferior de la mesa usando tornillos de madera.
- 2) Ensamble el eje (conjunto) **3** vertical de cojín de rodilla al brazo **2** de montaje del eje vertical de cojín de rodilla. Ahora fíjelos en la posición en que usted pueda operar con facilidad el cojín de rodilla.

5. LUBRICACIÓN



¡AVISO!

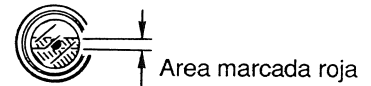
Para protegerse contra posibles lesiones personales debido a un arranque brusco de la máquina de coser, cerciéndose de comenzar el siguiente trabajo después de desconectar la corriente y de estar seguro que el motor está completamente parado.



★ Antes de operar la máquina de coser

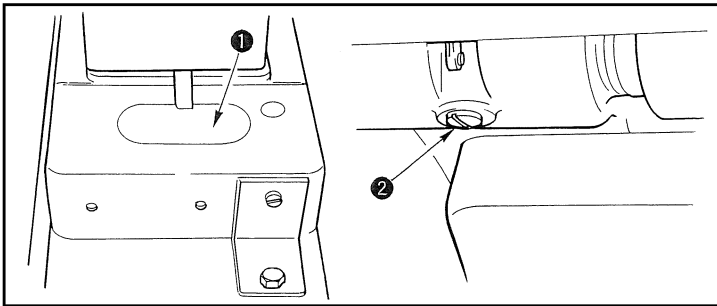
- 1) Saque el tornillo ① del agujero de lubricación. Rellene el depósito con aceite New Defrix Oil N°1 por el agujero hasta que la superficie del aceite llegue a la marca en la ventanilla ② de inspección del aceite.
- 2) Gire el volante hasta que las líneas ranuradas en la copa del aceite ④ queden niveladas. Ahora, saque el tornillo ③ del agujero de lubricación, y eche aceite hasta que la superficie llegue a las líneas ranuradas en la copa de aceite (aprox. la mitad de la capacidad de aceite de la copa).
- 3) Ponga en marcha la máquina de coser durante unos pocos minutos, compruebe otra vez la cantidad de aceite. Si la cantidad de aceite es insuficiente, eche más aceite hasta que la máquina quede llena con la cantidad apropiada de aceite.
- 4) Si la máquina de coser no se ha usado por largo tiempo, lubrique la sección marcada con una flecha (←) con unas pocas gotas de aceite.

(Precaución) Para operar la máquina de coser por primera vez después de instalada o después de que no se ha usado por largo tiempo, llene la copa de aceite completamente. Compruebe que el nivel del aceite siempre se mantiene dentro del área marcada roja en la ventanilla de inspección del aceite.



★ Drenaje del aceite

- 1) Si ha acumulado aceite en la ranura ① del depósito de aceite, límpiela con un trapo.
- 2) Extraiga el aceite que se ha acumulado en la cama, de vez en cuando, quitando la tapa ② del agujero de drenaje en el eje impulsor del gancho.

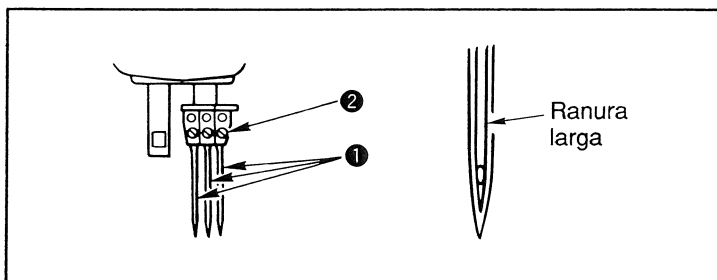


6. MODO DE COLOCAR LA AGUJA



¡AVISO!

Para protegerse contra posibles lesiones personales debido a un arranque brusco de la máquina de coser, cerciéndose de comenzar el siguiente trabajo después de desconectar la corriente y de estar seguro que el motor está completamente parado.



Elija la aguja apropiada en conformidad con el grosor del hilo y el tipo de material que va a coser.

- 1) Gire el volante hasta que la barra de aguja llegue a la posición más alta de su recorrido.
- 2) Afloje el tornillo ② en la sujetador de la aguja y gire las agujas ① de modo que la ranura larga en las respectivas agujas queden cara a usted.
- 3) Inserte la agujas en los agujeros del sujetador de las agujas todo lo que puedan entrar.
- 4) Apriete bien el tornillo ② del sujetador de aguja.

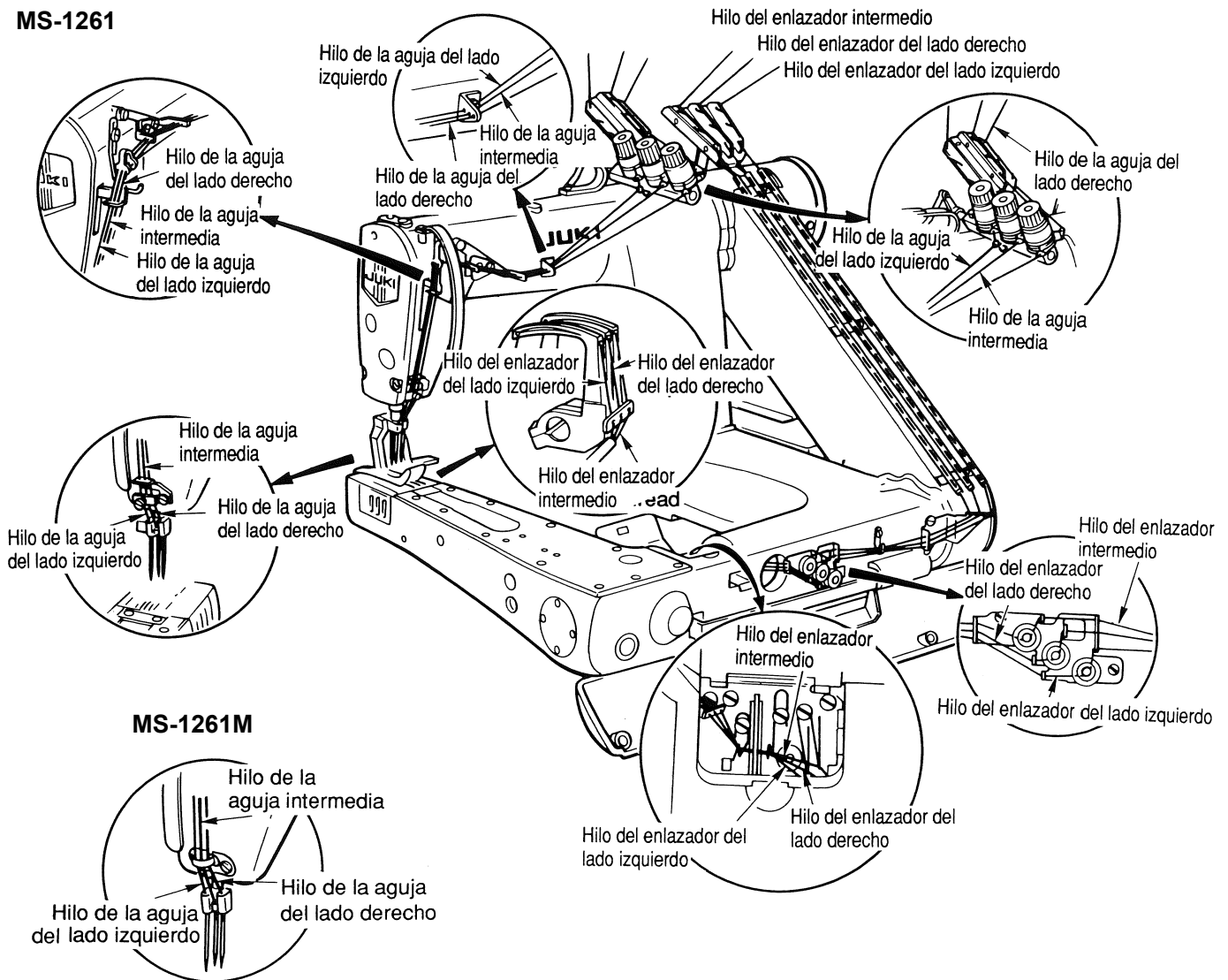
7. MODO DE ENHEBRAR EL CABEZAL DE LA MÁQUINA



¡AVISO!

Para protegerse contra posibles lesiones personales debido a un arranque brusco de la máquina de coser, cerciőrese de comenzar el siguiente trabajo despuės de desconectar la corriente y de estar seguro que el motor est completamente parado.

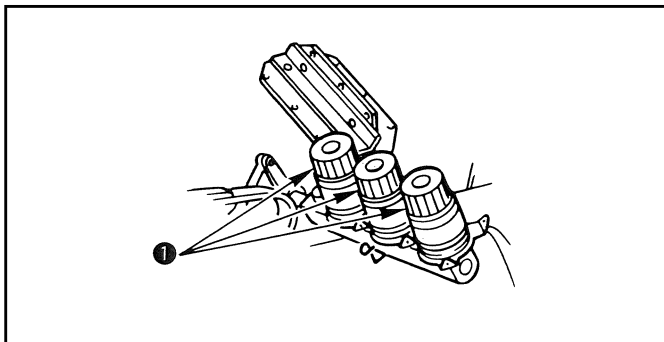
MS-1261



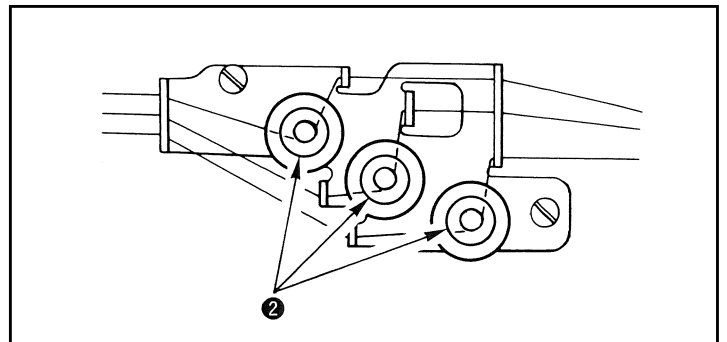
MS-1261M

Enhebre el cabezal de la mquina siguiendo el orden que se indica en la figura.

8. TENSIN DEL HILO

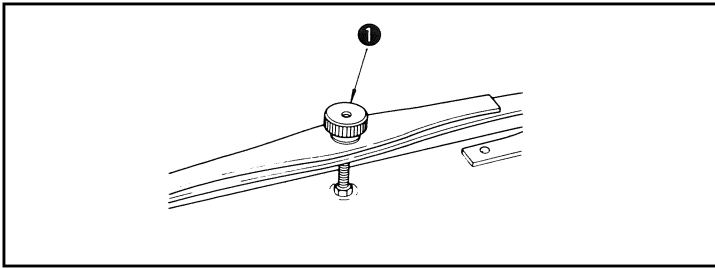


- (1) **Modo de ajustar la tensin del hilo de aguja**
Girando la tuerca 1 tensora hacia la derecha aumenta la tensin del hilo de aguja. Girndola hacia la izquierda disminuye la tensin del hilo de aguja.



- (2) **Modo de ajustar la tensin del hilo del enlazador**
Girando la perilla 2 de ajuste de tensin del hilo del enlazador hacia la derecha aumenta la tensin del hilo del enlazador. Girndola hacia la izquierda disminuye la tensin del hilo del enlazador.

9. MODO DE AJUSTAR LA PRESIÓN DEL PRENSATELAS



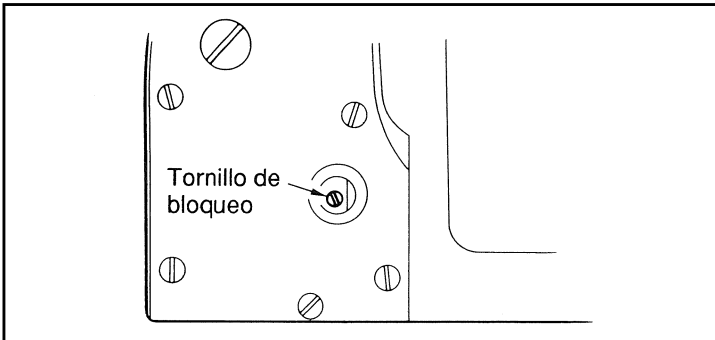
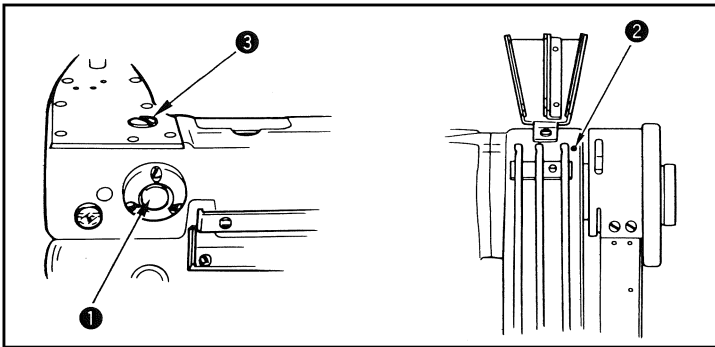
Girando el regulador del muelle de presión ❶ hacia la derecha aumenta la presión del prensatelas. Girándolo hacia la izquierda disminuye la presión.

10. MODO DE AJUSTAR LA LONGITUD DE PUNTADA



¡AVISO!

Para protegerse contra posibles lesiones personales debido a un arranque brusco de la máquina de coser, cerciórese de comenzar el siguiente trabajo después de desconectar la corriente y de estar seguro que el motor está completamente parado.



- 1) Saque el tornillo ❸, y afloje el tornillo de bloqueo en la leva oscilante de transporte.
- 2) Empujando suavemente el botón ❶, gire el volante con la mano.
- 3) Cuando muerda el botón ❶ pulsador, la máquina de coser dejará de funcionar.
- 4) En el estado mencionado, pulsando más aún el botón ❶, gire el volante con la mano.
- 5) Alinee la división (indicando el valor deseado) con el punto demarcador ❷ grabado en la cubierta del engranaje dentado. Seguidamente, suelte el botón ❶.
- 6) Apriete el tornillo de bloqueo en la leva oscilante de transporte.
- 7) Ponga el tornillo ❸ en su lugar.

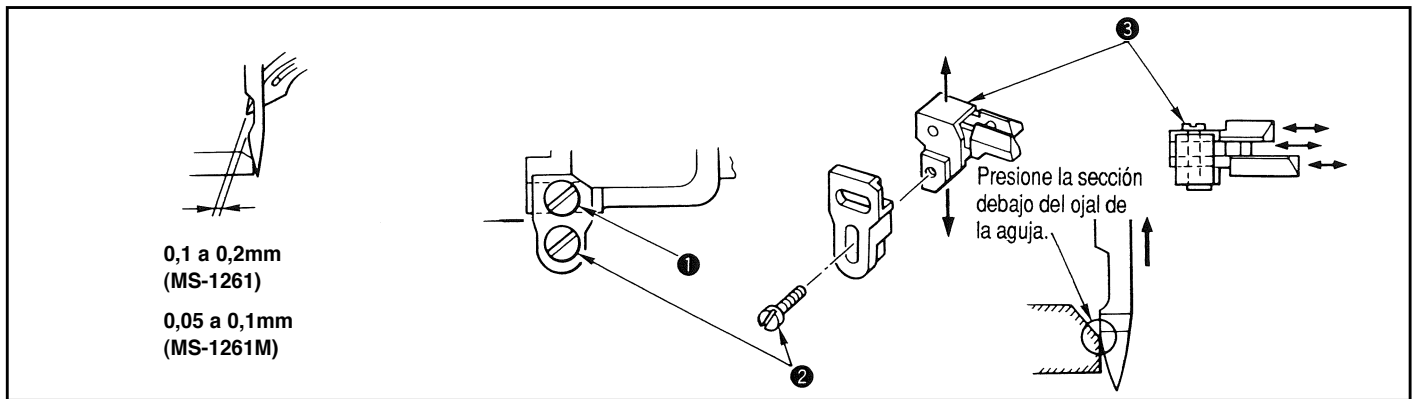
- (Precaución) 1. Nunca pulse el botón ❶ mientras la máquina de coser esté funcionando.
2. Cerciórese de operar la máquina después de apretar el tornillo de bloqueo.
3. Nunca opere la máquina de coser con el tornillo ❸ sacado.
4. El tornillo de seguridad tiene un tornillo de fijación de enclavamiento para evitar que se afloje el tornillo. El cabezal del tornillo de seguridad se puede dañar si lo fuerza para retirarlo.

11. MODO DE AJUSTAR EL PROTECTOR DE AGUJA



¡AVISO!

Para protegerse contra posibles lesiones personales debido a un arranque brusco de la máquina de coser, cerciéndose de comenzar el siguiente trabajo después de desconectar la corriente y de estar seguro que el motor está completamente parado.



El protector de aguja se ha montado en el dentado de transporte. En consecuencia, es necesario ajustar el protector de aguja siempre que se cambie la cantidad de transporte.

(Modo de ajustar la separación que se provee entre la aguja y el enlazador)

- 1) Gire el volante para alinear el extremo superior del enlazador con el centro de la aguja.
- 2) Afloje el tornillo ①, mueva toda la unidad del protector de aguja hacia la derecha o izquierda para que el protector de aguja presione la aguja de modo que se provea una separación de 0,1 a 0,2 mm entre el enlazador y la aguja.
(0,05 a 0,1 mm para MS-1261M)

(Modo de ajustar la posición vertical del protector de aguja)

- 1) Gire el volante para llevar el protector de aguja a la posición donde el protector de aguja comienza a presionar la aguja.
- 2) Afloje el tornillo ②, y mueva toda la unidad del protector de aguja hacia arriba o hacia abajo de modo que protector de aguja quede ubicado en una posición donde no presione y deforme los bucles de hilo de aguja (justamente debajo del ojal de la aguja).

(Modo de ajustar las separaciones entre las respectivas agujas y enlazadores)

Si las separaciones entre los respectivos enlazadores y agujas no quedan iguales después que la separación entre cada aguja y enlazador se ha ajustado moviendo toda la unidad del protector de aguja, haga el ajuste de modo que se provea una separación igual entre los respectivos enlazadores y agujas siguiendo los pasos que se indican a continuación:

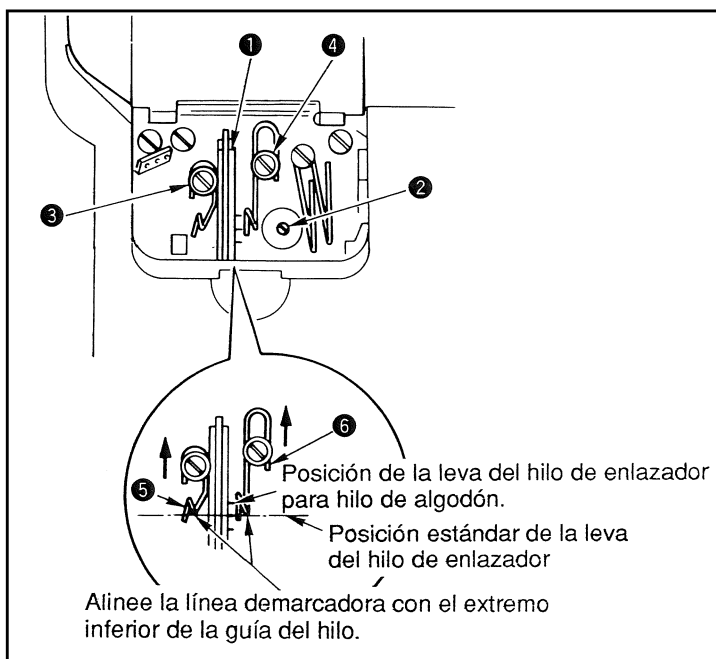
- 1) Gire el volante para que el extremo superior del enlazador quede alineado con el centro de la aguja.
- 2) Afloje el tornillo ③, mueva los respectivos protectores de aguja para hacer el ajuste de modo que se provea una separación igual entre las respectivas agujas y enlazadores.

12. MODO DE AJUSTAR LA LEVA DEL ENLAZADOR



¡AVISO!

Para protegerse contra posibles lesiones personales debido a un arranque brusco de la máquina de coser, cerciéndose de comenzar el siguiente trabajo después de desconectar la corriente y de estar seguro que el motor está completamente parado.



Afloje el tornillo ②, y ajuste la leva ① del hilo de enlazador de modo que el enlazador comience a tirar del hilo en el momento que comienza a volver a su posición original después que ha sobresalido al máximo.

(1) Modo de ajustar la guía del hilo de la leva del hilo de enlazador

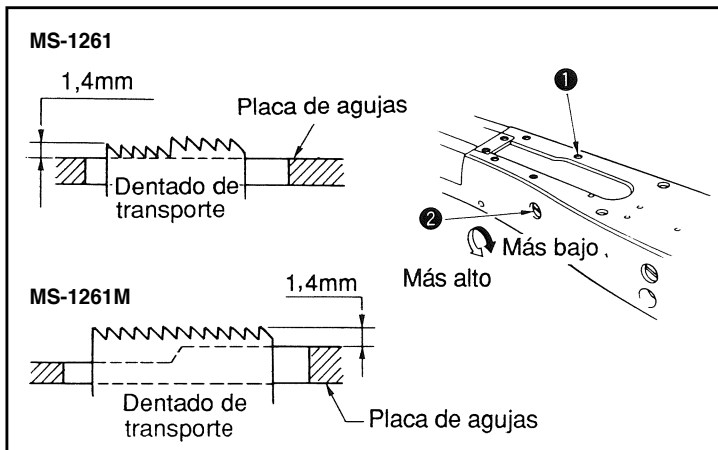
- 1) Alinee la cara posterior de la guía ⑥ del hilo de enlazador con la línea demarcadora en la guía ⑥ del hilo. Seguidamente ajuste la guía ⑤ del hilo de modo que su cara extrema quede a ras con la cara extrema de la guía ⑥ del hilo.
- 2) La posición estándar de la guía del hilo se obtiene cuando la cara superior de la guía del hilo queda alineada con la línea demarcadora central.
- 3) Cuando use un hilo de algodón, afloje los tornillos ③ y ④, y alinee las caras extremas de las guías de hilo ⑤ y ⑥ con la línea demarcadora ubicada en el lado lejano. Ahora, no es necesario reajustar la sincronización de la leva del hilo de enlazador.

13. ALTURA DEL DENTADO DE TRANSPORTE



¡AVISO!

Para protegerse contra posibles lesiones personales debido a un arranque brusco de la máquina de coser, cerciéndose de comenzar el siguiente trabajo después de desconectar la corriente y de estar seguro que el motor está completamente parado.



El extremo superior del dentado de transporte sube 1,4 mm por encima de la superficie de la placa de agujas cuando el dentado de transporte está en la posición más alta de su recorrido.

(1) Modo de ajustar la altura del dentado de transporte.

- 1) Afloje el tornillo ① en la placa lateral de la cama y sáquelo.
- 2) Saque el tornillo ① y afloje un tornillo de cabeza hexagonal debajo del tornillo ① con una llave hexagonal de configuración L.
- 3) Ajuste la altura del dentado de transporte girando el eje ② de ajuste de cantidad de impulsión de transporte.
- 4) Fije el eje con el tornillo de cabeza de receptáculo hexagonal y apriete el tornillo ①.

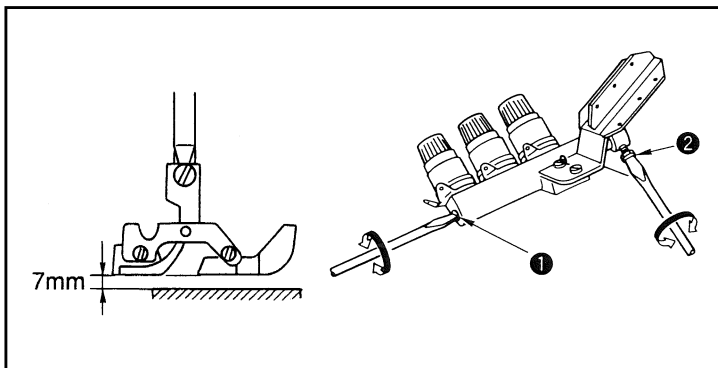
(Precaución) No es necesario fijar firmemente el eje ② de ajuste de cantidad de impulsión de transporte.

14. SINCRONIZACIÓN PARA RELAJAR LA TENSION DEL HILO DE AGUJA



¡AVISO!

Para protegerse contra posibles lesiones personales debido a un arranque brusco de la máquina de coser, cerciéndose de comenzar el siguiente trabajo después de desconectar la corriente y de estar seguro que el motor está completamente parado.



Haga el ajuste de modo que la tensión del hilo de aguja se relaje cuando el prensatelas suba 7 mm por encima de la superficie de la placa de agujas. Afloje el tornillo ② en el eje ① de relación de tensión de hilo, y ajuste la sincronización para relajar la tensión del hilo de aguja girando el eje hacia la derecha o hacia la izquierda.

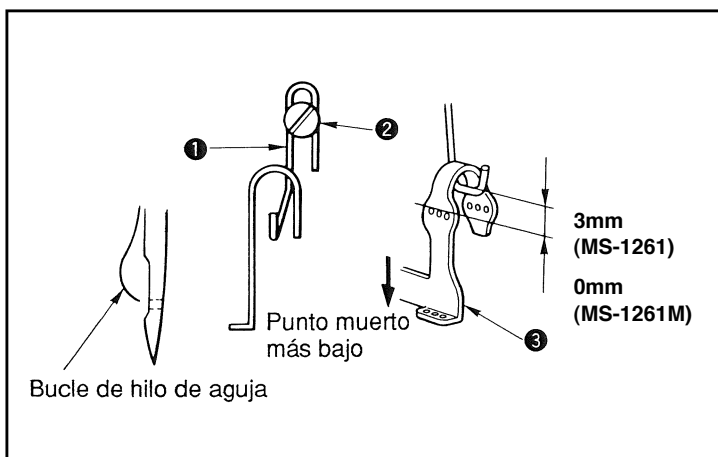
Note que se debe fijar el prensatelas a la barra prensatelas de modo que el prensatelas quede nivelado con el extremo inferior de la barra prensatelas.

15. MODO DE AJUSTAR LA PALANCA CONTROLADORA DE TENSION DE HILO



¡AVISO!

Para protegerse contra posibles lesiones personales debido a un arranque brusco de la máquina de coser, cerciéndose de comenzar el siguiente trabajo después de desconectar la corriente y de estar seguro que el motor está completamente parado.



El tamaño de hilo de aguja se determina ajustando la posición de la palanca ① controladora de tensión del hilo.

El tamaño del bucle de hilo de aguja cambia en conformidad con el hilo y material que se usen. Por lo tanto, ajuste el tamaño de bucle de hilo según cada caso.

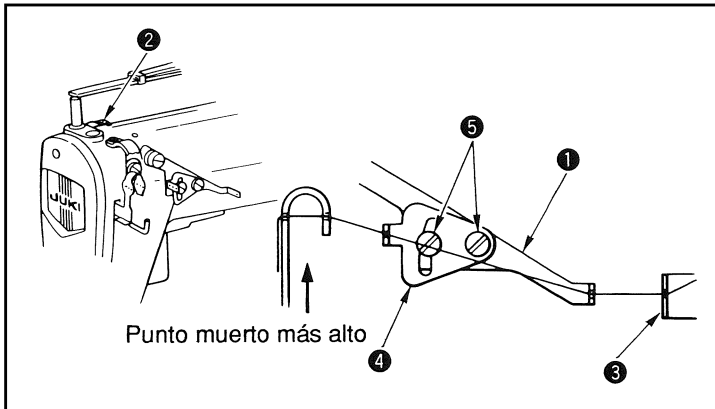
- 1) Afloje los dos tornillos ②, y ajuste la posición de la guía de la palanca tira-hilo moviéndola hacia arriba o hacia abajo.
- 2) Haga el ajuste de modo que, cuando la barra de aguja esté en el punto muerto más bajo, el extremo superior de la palanca controladora de tensión de hilo esté posicionada 3 mm por encima del extremo superior del agujero del hilo en la palanca ③ tira-hilo de la barra de aguja. (0 mm para MS-1261M)
- 3) Accionando hacia abajo la palanca ① controladora de tensión del hilo disminuye el tamaño del bucle. Accionando hacia arriba dicha palanca, aumenta.

16. POSICION DE LA PALANCA RELAJADORA DE TENSION DE HILO INTERMEDIO Y GUIA DEL HILO DEL CONTROLADOR DE TENSION DEL HILO DE AGUJA



¡AVISO!

Para protegerse contra posibles lesiones personales debido a un arranque brusco de la máquina de coser, cerciórese de comenzar el siguiente trabajo después de desconectar la corriente y de estar seguro que el motor está completamente parado.



Ajuste la posición de la palanca ① relajadora de tensión de hilo intermedio y la guía ④ de hilo del controlador de tensión del hilo de aguja como se describe a continuación.

- 1) Gire el volante para llevar la barra de aguja al punto muerto más alto.
- 2) Afloje el tornillo ②, y ajuste la posición de la palanca ① relajadora de tensión del hilo intermedio de modo que el hilo que sale de la guía ③ del hilo la aguja intermedia quede en paralelo con la palanca relajadora de tensión del hilo intermedio.
- 3) Seguidamente, afloje los dos tornillos ⑤, y ajuste la posición de la guía ④ del hilo del controlador de tensión de hilo de aguja de modo que el hilo que viene de la palanca ① relajadora de tensión del hilo intermedio haga una línea recta.

17. VELOCIDAD DE COSTURA Y LA POLEA DEL MOTOR

- 1) Use un motor de embrague trifásico y de 400 W (1/2 HP).
Para un servomotor, hay opcionalmente disponible una base de montaje de sincronizador.
- 2) Use una correa-V tipo M.
- 3) La relación entre la polea del motor, la velocidad de cosido de la máquina de coser es tal como se muestra en la siguiente tabla:

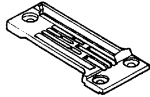
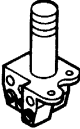
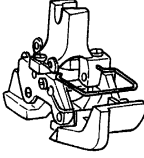
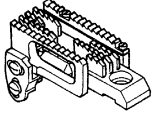
Modelo	Número de revoluciones de la máquina de coser	Diámetro efectivo del volante	Número de polos del motor	Frecuencia	Número de revoluciones del motor	Diámetro efectivo de la polea del motor
MS-1261 MS-1261M	3.600 sti/min	67.4mm	2	50Hz	2.860 rpm	85mm
				60Hz	3.430 rpm	70mm
	3.000 sti/min			50Hz	2.860 rpm	70mm
				60Hz	3.430 rpm	60mm

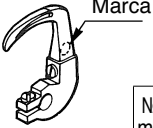
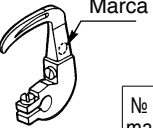
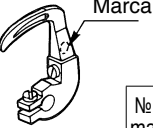
★ El diámetro efectivo de la correa del motor se obtiene restando 5 mm de su diámetro exterior.

★ El motor deberá rotar hacia la izquierda si se observa desde el volante. Tenga cuidado en que el motor no rote en la dirección inversa.

18. TABLA DE CALIBRES REEMPLAZABLES

(1) MS-1261 (para materiales de peso extra pesados)

			1	2	3	4	5
Nombre de pieza			Juego de distancias entre agujas (con protector de dedos)	Placa de agujas	Sujetador de aguja (conjunto)	Prensateles (conjunto) (con protector de dedos)	Dentado de transporte (conjunto)
Distancia entre agujas							
Código	Pulgadas	mm					
E	7/32	5,6	12954061	12954004	12956355	12957163	12965158
F	1/4	6,4	12953964	12953907	12956256	12957064	12965059
G	9/32	7,2	12954160	12954103	12956454	12957262	12965257
H	5/16	8,0	12954269	12954202	12956553	12957361	12965356
K	3/8	9,5	12954368	12954301	12956652	12957460	12965455

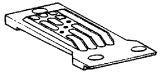
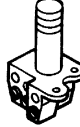
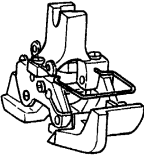
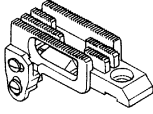
			6	7	8
Nombre de pieza			Enlazador (L) (conjunto)	Enlazador (R) (conjunto)	Enlazador (C) (conjunto)
Distancia entre agujas					
Código	Pulgadas	mm	Nº de marca	Nº de marca	Nº de marca
E	7/32	5,6	12968558	1	12968855
F	1/4	6,4			
G	9/32	7,2	12968657	2	12968954
H	5/16	8,0			
K	3/8	9,5			

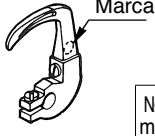
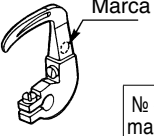
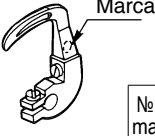
9. Espaciador para dentado de transporte (para MS-1261)

Nº	Grosor de placa (mm)	Nº de pieza	Nombre de pieza
①	0,3	12976601	Placa B de ajuste de dentado de transporte
②	0,8	12976700	Placa C de ajuste de dentado de transporte
③	1,0	12976809	Placa D de ajuste de dentado de transporte

* Espaciador no se incluye en el juego de manómetros.

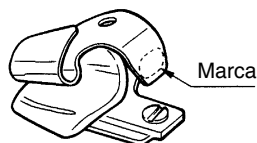
(2) MS-1261M (para materiales de peso medio)

			1	2	3	4	5
Nombre de pieza			Juego de distancias entre agujas (con protector de dedos)	Placa de agujas	Sujetador de aguja (conjunto)	Prensateles (conjunto) (con protector de dedos)	Dentado de transporte (conjunto)
Distancia entre agujas							
Código	Pulgadas	mm					
E	7/32	5,6	12954665	12954608	12956355	12956165	12970059
F	1/4	6,4	12954566	12954509	12956256	12956066	12969952
G	9/32	7,2	12954764	12954707	12956454	12956769	12970158
H	5/16	8,0	12954863	12954806	12956553	12956868	12970257
K	3/8	9,5	12954962	12954905	12956652	12956967	12970356

			6	7	8	
Nombre de pieza			Enlazador (L) (conjunto)	Enlazador (R) (conjunto)	Enlazador (C) (conjunto)	
Distancia entre agujas						
Código	Pulgadas	mm	Ne de marca	Ne de marca	Ne de marca	
E	7/32	5,6	12968558	1	12968855	1
F	1/4	6,4				
G	9/32	7,2				
H	5/16	8,0	12968657	2	12968954	2
K	3/8	9,5				

(3) Doblador

			1	2	3
Nombre de pieza			Doblador (conjunto)		
Distancia entre agujas			M297	M298	M299
			MH	H	XH
Código			Pulgadas	mm	
E	7/32	5,6	MAM2970DDBA	MAM2980AABA	MAM2990AABA
F	1/4	6,4	MAM2970EEBA	MAM2980BBBA	MAM2990BBBA
G	9/32	7,2	MAM2970FFBA	MAM2980CCBA	MAM2990CCBA
H	5/16	8,0	MAM2970GGBA	MAM2980DDBA	MAM2990DDBA
K	3/8	9,5	MAM2970HHBA	MAM2980EEBA	MAM2990EEBA



* El doblador no se incluye en el juego de distancias entre agujas.

Código de carpeta

M297 — Para materiales de peso medio (Equipados en MS-1261M como estándar)

M298 — Para materiales de peso pesados (Opcional)

M299 — Para materiales de peso extra pesados (Equipados en MS-1261 como estándar)

ITALIANO

ITALIANO

PER GARANTIRE L'USO SICURO DELLA MACCHINA PER CUCIRE

Per la macchina per cucire, la macchina automatica ed i dispositivi ausiliari (di seguito denominati collettivamente come "macchina"), è inevitabile condurre lavori di cucitura vicino a parti in movimento della macchina. Ciò significa che c'è sempre una possibilità di venire accidentalmente a contatto con parti in movimento. Si consiglia vivamente, agli operatori che azionano effettivamente la macchina e al personale di manutenzione coinvolto nella manutenzione e riparazione della macchina, di leggere con attenzione per comprendere appieno le seguenti

Precauzioni di sicurezza prima di utilizzare la macchina/effettuare la manutenzione della macchina. Il contenuto delle **Precauzioni di sicurezza** comprende gli articoli che non sono contenuti nelle specifiche del prodotto.

Le indicazioni di rischio sono classificate nelle seguenti tre diverse categorie per aiutare a capire il significato delle etichette. Assicurarsi di comprendere pienamente la seguente descrizione e di rispettare rigorosamente le istruzioni.

(I) Spiegazione dei livelli di rischio

	PERICOLO : Questa indicazione è presente dove vi è un immediato pericolo di gravi lesioni o morte se la persona incaricata o terzi manovrano male la macchina o non evitano la situazione pericolosa quando si aziona la macchina o si effettua la manutenzione della macchina.
	AVVERTIMENTO : Questa indicazione è presente dove vi è un potenziale pericolo di gravi lesioni o morte se la persona incaricata o terzi manovrano male la macchina o non evitano la situazione pericolosa quando si aziona la macchina o si effettua la manutenzione della macchina.
	ATTENZIONE : Questa indicazione è presente dove vi è un pericolo di lesioni leggere o medie se la persona incaricata o terzi manovrano male la macchina o non evitano la situazione pericolosa quando si aziona la macchina o si effettua la manutenzione della macchina.
	Articoli che richiedono particolare attenzione

(II) Spiegazione delle icone di avvertimento e delle etichette di indicazione

Icona di avvertimento		Vi è un pericolo di lesioni se si viene a contatto con una sezione in movimento.	Etichetta di indicazione		Vi è un pericolo di intrappolamenti nella cinghia con conseguenti lesioni.
		Vi è un pericolo di scosse elettriche se si viene a contatto con una sezione ad alta tensione.			Il corretto senso è indicato.
		Vi è un pericolo di scottature se si viene a contatto con una sezione ad alta temperatura.			Il collegamento di un filo di messa a terra è indicato.

- ① • C'è la possibilità che ferimenti da leggeri a gravi oppure morte vengano causati.
• C'è la possibilità che ferimenti vengano causati se si toccano elementi mobili.
- ② • Effettuare il lavoro di cucitura con il riparo di sicurezza.
• Effettuare il lavoro di cucitura con il coperchio di sicurezza.
• Effettuare il lavoro di cucitura con il dispositivo protettivo di sicurezza.
- ③ • Assicurarsi di spegnere la macchina prima di effettuare "infilatura della testa della macchina", "sostituzione dell'ago", "sostituzione della bobina" o "lubrificazione e pulizia".

AVVERTENZE PER LA SICUREZZA

L'incidente significa "causare lesioni personali o morte o danni alla proprietà."



PERICOLO

1. Quando è necessario aprire la centralina di controllo contenente parti elettriche, assicurarsi di disattivare l'alimentazione e di attendere cinque minuti o più prima di aprire il coperchio al fine di evitare gli incidenti causati da scosse elettriche.



ATTENZIONE

Precauzioni di base

1. Assicurarsi di leggere il manuale d'istruzioni e altri documenti esplicativi in dotazione con la macchina prima di utilizzare la macchina. Conservare il presente manuale ed i documenti esplicativi in un luogo sicuro affinché possano essere sempre disponibili.
2. Il contenuto di questa sezione include gli articoli che non sono contenuti nelle specifiche del prodotto.
3. Assicurarsi di indossare occhiali di sicurezza per la protezione contro gli incidenti causati dalla rottura dell'ago.
4. Coloro che utilizzano uno stimolatore cardiaco devono usare la macchina, previa consultazione con un medico specialista.

Dispositivi di sicurezza ed etichette di avvertimento

1. Assicurarsi di azionare la macchina dopo aver controllato che i dispositivi di sicurezza siano installati correttamente ai posti giusti e funzionino regolarmente al fine di prevenire gli incidenti causati dalla mancanza dei dispositivi.
2. Se uno qualsiasi dei dispositivi di sicurezza viene rimosso, assicurarsi di rimetterlo a posto e controllare che funzioni regolarmente al fine di prevenire gli incidenti che possono causare lesioni personali o morte.
3. Assicurarsi di mantenere le etichette di avvertimento aderite sulla macchina chiaramente visibili al fine di prevenire gli incidenti che possono causare lesioni personali o morte. Se una qualsiasi delle etichette è macchiata o scollata, assicurarsi di cambiarla con una nuova.

Scopi e modifica

1. Non utilizzare mai la macchina per altri scopi all'infuori di quelli indicati né in altri modi all'infuori di quello prescritto nel manuale d'istruzioni al fine di prevenire gli incidenti che possono causare lesioni personali o morte. La società JUKI non si assume responsabilità alcuna per eventuali danni o lesioni personali o morte causati dall'uso della macchina per altri scopi all'infuori di quelli indicati.
2. Mai modificare né alterare la macchina al fine di prevenire gli incidenti che possono causare lesioni personali o morte. La società JUKI non si assume responsabilità alcuna per eventuali danni o lesioni personali o morte causati dalla modifica o alterazione della macchina stessa.

Istruzione e addestramento

1. Al fine di prevenire gli incidenti causati dalla mancanza di familiarità con la macchina, la macchina deve essere utilizzata unicamente da un operatore che sia stato addestrato/istruito dal datore di lavoro per quanto riguarda il funzionamento della macchina e su come far funzionare la macchina in sicurezza per acquisire adeguate conoscenze e abilità di operazione. Al fine di garantire quanto sopra, il datore di lavoro deve stabilire un piano di istruzione/addestramento per gli operatori e deve istruire/addestrarli in anticipo.

Articoli per i quali la macchina deve essere disattivata

Disattivazione: Spegnimento dell'interruttore dell'alimentazione, quindi disinserimento della spina dalla presa di corrente. Questo vale per i seguenti articoli.

1. Assicurarsi di disattivare immediatamente la macchina quando si constatano anomalie o guasti o in caso di mancanza di corrente per la protezione contro gli incidenti che possono causare lesioni personali o morte.
2. Per la protezione contro gli incidenti causati dall'avvio improvviso della macchina, assicurarsi di disattivare la macchina prima di effettuare le seguenti operazioni. Per la macchina che incorpora un motore a frizione, in particolare, assicurarsi di disattivare la macchina e controllare che la macchina sia completamente ferma prima di effettuare le seguenti operazioni.
 - 2-1. Ad esempio, quando si infilano le parti come l'ago, il crochet, lo stendifilo, ecc che devono essere infilati, o quando si cambia la bobina.
 - 2-2. Per esempio, quando si cambia o si regola un componente qualsiasi della macchina.
 - 2-3. Ad esempio, quando si ispeziona, si ripara o si pulisce la macchina o si lascia il posto di lavoro.
3. Assicurarsi di disinserire la spina di alimentazione tenendo la spina invece del cavo al fine di evitare scosse elettriche, dispersione verso terra o incendi.
4. Assicurarsi di disattivare la macchina ogni volta che la macchina è lasciata incustodita durante la pausa lavoro.
5. Assicurarsi di disattivare la macchina in caso di mancanza di corrente al fine di prevenire gli incidenti causati dalla rottura di componenti elettrici.

PRECAUZIONI DA PRENDERE IN VARIE FASI OPERATIVE

Trasporti

1. Assicurarsi di sollevare e spostare la macchina in modo sicuro tenendo in considerazione il peso della macchina. Fare riferimento al testo del manuale d'istruzioni per la massa della macchina.
2. Assicurarsi di adottare misure di sicurezza sufficienti per evitare la caduta e cose simili prima di sollevare o spostare la macchina per la protezione contro gli incidenti che possono causare lesioni personali o morte.

3. Una volta che la macchina è stata sballata, mai riimballarla per il trasporto per proteggere la macchina contro la rottura causata da incidenti imprevisti o cadute.

Sballatura

1. Assicurarsi di sballare la macchina nell'ordine prescritto al fine di prevenire gli incidenti che possono causare lesioni personali o morte. Quando la macchina è imballata in cassa di legno, in particolare, assicurarsi di controllare attentamente i chiodi. I chiodi devono essere rimossi.
2. Assicurarsi di controllare la macchina per la posizione del suo centro di gravità e di tirarla fuori dall'imballo attentamente al fine di prevenire gli incidenti che possono causare lesioni personali o morte.

Installazione

(I) Tavolo e supporto del tavolo

1. Assicurarsi di utilizzare il tavolo e il supporto del tavolo originali JUKI al fine di prevenire gli incidenti che possono causare lesioni personali o morte. Se è inevitabile usare un tavolo e un supporto del tavolo che non sono quelli originali JUKI, selezionare un tavolo e un supporto del tavolo che siano in grado di sostenere il peso della macchina e la forza di reazione durante il funzionamento.
2. Se si montano le rotelle sul supporto del tavolo, assicurarsi di utilizzare le rotelle con un meccanismo di bloccaggio e di bloccarle per fissare la macchina durante il funzionamento, la manutenzione, l'ispezione e la riparazione al fine di prevenire gli incidenti che possono causare lesioni personali o morte.

(II) Cavi e cablaggio

1. Assicurarsi di evitare che una forza eccessiva venga applicata al cavo durante l'uso al fine di evitare scosse elettriche, dispersione verso terra o incendi. Inoltre, se è necessario cablare vicino alla sezione di funzionamento come la cinghia a V, assicurarsi di lasciare uno spazio di 30 mm o più tra la sezione di funzionamento e il cavo.
2. Assicurarsi di evitare l'inserimento di troppe spine su una stessa presa di corrente al fine di evitare scosse elettriche, dispersione verso terra o incendi.
3. Assicurarsi di collegare i connettori in modo sicuro al fine di evitare scosse elettriche, dispersione verso terra o incendi. Inoltre, assicurarsi di disinserire il connettore tenendo la sezione di connettore.

(III) Messa a terra

1. È necessario che una spina appropriata di alimentazione sia installata da parte di un perito elettrico al fine di prevenire gli incidenti causati da dispersione verso terra o rigidità dielettrica. Inoltre, assicurarsi di collegare la spina di alimentazione alla presa di corrente completa di terra.
2. Assicurarsi di mettere a terra il filo di messa a terra al fine di prevenire gli incidenti causati da dispersione verso terra.

(IV) Motore

1. Assicurarsi di utilizzare il motore nominale specificato (prodotto originale JUKI) al fine di prevenire gli incidenti causati dalla bruciatura.
2. Se un motore a frizione disponibile in commercio è usato con la macchina, assicurarsi di selezionare uno con un copripuleggia anti-intrappolamenti per la protezione contro intrappolamenti nella cinghia a V.

Prima della messa in funzione

1. Assicurarsi che i connettori e cavi siano esenti da danni, perdita di parti e allentamento prima di attivare l'alimentazione al fine di prevenire gli incidenti con conseguenti lesioni personali o morte.
2. Mai mettere la mano nelle sezioni in movimento della macchina al fine di prevenire gli incidenti che possono causare lesioni personali o morte. Inoltre, controllare che il senso di rotazione della puleggia corrisponda alla freccia indicata sulla puleggia.
3. Se il supporto del tavolo con le rotelle è utilizzato, assicurarsi di fissare il supporto del tavolo bloccando le rotelle o con i regolatori, se dotato di regolatori, per la protezione contro gli incidenti causati dall'avvio improvviso della macchina.

Durante il funzionamento

1. Assicurarsi di non avvicinare dita, capelli, lembi di vestiario o oggetti alle sezioni in movimento come il volantino, la puleggia a mano e il motore quando la macchina è in funzione al fine di prevenire gli incidenti causati da intrappolamenti che possono causare lesioni personali o morte.
2. Assicurarsi di non mettere le dita vicino alle aree circostanti dell'ago o all'interno del coperchio della leva tirafilo quando si attiva l'alimentazione o quando la macchina è in funzione al fine di prevenire gli incidenti che possono causare lesioni personali o morte.
3. La macchina gira ad una velocità elevata. Non avvicinare mai le mani alle sezioni in movimento come il crochet, lo stendifilo, la barra dell'ago e il coltello tagliatessuto durante il funzionamento al fine di proteggere le mani contro le lesioni. Inoltre, assicurarsi di disattivare l'alimentazione e controllare che la macchina sia completamente ferma prima di cambiare il filo.
4. Fare attenzione che le dita o altre parti del corpo non vengano intrappolate tra la macchina e il tavolo quando si rimuove la macchina dal tavolo o la si rimette sul tavolo al fine di prevenire gli incidenti che possono causare lesioni personali o morte.
5. Assicurarsi di disattivare l'alimentazione e controllare che la macchina e il motore siano completamente fermi prima di rimuovere il copricinghia e la cinghia a V al fine di prevenire gli incidenti causati dall'avvio improvviso della macchina o del motore.
6. Se un servomotore è utilizzato con la macchina, il motore non è rumoroso quando la macchina è in stato di riposo. Assicurarsi di non dimenticare di disattivare l'alimentazione al fine di prevenire gli incidenti causati dall'avvio improvviso del motore.
7. Non utilizzare mai la macchina se l'apertura di raffreddamento della centralina di alimentazione del motore è otturata al fine di prevenire gli incendi causati da surriscaldamenti.

Lubrificazione

1. Assicurarsi di utilizzare l'olio originale JUKI e il grasso originale JUKI per le parti da lubrificare.
2. Nel caso in cui l'olio venisse a contatto con gli occhi o con il corpo, assicurarsi di lavare via immediatamente al fine di prevenire l'infiammazione o l'irritazione.

3. Nel caso in cui l'olio venisse ingerito involontariamente, assicurarsi di consultare immediatamente un medico al fine di prevenire la diarrea o il vomito.



Manutenzione

1. Al fine di prevenire gli incidenti causati dalla mancanza di familiarità con la macchina, la riparazione e la regolazione deve essere effettuata da un tecnico di manutenzione che conosca bene la macchina nei limiti definiti nel manuale d'istruzioni. Assicurarsi di utilizzare le parti originali JUKI quando si sostituiscono le parti della macchina. La società JUKI non si assume responsabilità alcuna per eventuali incidenti causati dalla riparazione o regolazione inadeguata o dall'uso di altre parti all'infuori di quelle originali JUKI.
2. Al fine di prevenire gli incidenti causati dalla mancanza di familiarità con la macchina o da scosse elettriche, assicurarsi di affidare la riparazione e la manutenzione (compreso il cablaggio) dei componenti elettrici ad un tecnico elettrico della vostra azienda, della JUKI o dei distributori nella vostra zona.
3. Quando si effettua la riparazione o la manutenzione della macchina che usa le parti ad azionamento pneumatico come un cilindro pneumatico, assicurarsi di rimuovere il tubo di alimentazione dell'aria per eliminare l'aria che rimane nella macchina in anticipo al fine di prevenire gli incidenti causati dall'avvio improvviso delle parti ad azionamento pneumatico.
4. Assicurarsi di controllare che le viti ed i dadi siano esenti da allentamento dopo il completamento della riparazione, regolazione e sostituzione delle parti.
5. Assicurarsi di pulire periodicamente la macchina durante il periodo di utilizzo. Assicurarsi di disattivare l'alimentazione e controllare che la macchina e il motore siano completamente fermi prima di pulire la macchina al fine di prevenire gli incidenti causati dall'avvio improvviso della macchina o del motore.
6. Assicurarsi di disattivare l'alimentazione e controllare che la macchina e il motore siano completamente fermi prima di effettuare la manutenzione, l'ispezione o la riparazione della macchina. (Per la macchina con un motore a frizione, il motore continuerà a girare per un po' per inerzia anche dopo aver disattivato l'alimentazione. È necessario perciò fare attenzione.)
7. Nel caso in cui la macchina non potesse essere azionata regolarmente dopo la riparazione o la regolazione, interrompere immediatamente il lavoro e contattare la JUKI o i distributori nella vostra zona per la riparazione al fine di prevenire gli incidenti che possono causare lesioni personali o morte.
8. Nel caso in cui il fusibile fosse bruciato, assicurarsi di disattivare l'alimentazione ed eliminare la causa della bruciatura del fusibile e di sostituire il fusibile bruciato con uno nuovo al fine di prevenire gli incidenti che possono causare lesioni personali o morte.
9. Assicurarsi di pulire periodicamente la presa d'aria del ventilatore e di ispezionare l'area intorno al cablaggio al fine di prevenire gli incendi del motore.

Ambiente operativo

1. Assicurarsi di utilizzare la macchina in un ambiente che non sia influenzata dalla forte sorgente di rumore (onde elettromagnetiche) come una saldatrice ad alta frequenza al fine di prevenire gli incidenti causati da malfunzionamenti della macchina.
2. Non utilizzare mai la macchina in un luogo in cui la fluttuazione della tensione di alimentazione supera "tensione nominale $\pm 10\%$ " al fine di prevenire gli incidenti causati da malfunzionamenti della macchina.
3. Per quanto riguarda i dispositivi ad azionamento pneumatico come un cilindro pneumatico, assicurarsi di controllare che sia ottenuta la pressione specificata dell'aria per questi dispositivi prima di utilizzarli al fine di prevenire gli incidenti causati da malfunzionamenti della macchina.
4. Al fine di utilizzare la macchina in sicurezza, assicurarsi di usarla in un ambiente che soddisfi le seguenti condizioni:
Temperatura dell'ambiente operativo dai 5 °C ai 35 °C
Umidità relativa dell'ambiente operativo dal 35% all'85%
5. Se la macchina viene spostata da un luogo fresco a un luogo caldo, potrebbero verificarsi fenomeni di condensa. In questo caso, attivare l'alimentazione dopo essersi accertati che non siano presenti gocce di acqua all'interno della macchina al fine di prevenire gli incidenti causati dalla rottura o malfunzionamenti dei componenti elettrici.
6. Durante temporali con fulmini e tuoni, assicurarsi di interrompere il lavoro per motivi di sicurezza e di disinserire la spina di alimentazione al fine di prevenire gli incidenti causati dalla rottura o malfunzionamenti dei componenti elettrici.
7. A seconda delle condizioni delle onde radio, la macchina potrebbe generare rumore nella ricezione TV o radio. In questo caso, usare la TV o la radio posizionandole ben lontano dalla macchina.
8. Per il lavoratore coinvolto nei lavori da eseguire nell'ambiente relativo a "il livello del rumore nell'ambiente lavorativo è non inferiore a 85 dB e inferiore a 90 dB", assicurarsi di adottare misure adeguate, quanto occorre, come l'uso di protezioni per le orecchie e cose simili per la protezione contro il rischio per la salute. Inoltre, per il lavoratore coinvolto nei lavori da eseguire nell'ambiente relativo a "il livello del rumore nell'ambiente lavorativo è non inferiore a 90 dB," assicurarsi di incaricargli/le di indossare protezioni per le orecchie senza eccezioni per la protezione contro il rischio per la salute, e di esporre un cartello che spiega come usare protezioni per le orecchie in un luogo facilmente visibile per i lavoratori.
9. Smaltire le confezioni della macchina per cucire e olio lubrificante usato in conformità alla legislazione nazionale o locale vigente nel vostro paese.

PER UN UTILIZZO SICURO

	<ol style="list-style-type: none">1. Tenere le mani lontano dall'ago quando si accende l'interruttore dell'alimentazione o la macchina è in funzione.2. Non mettere mai le dita sotto il carter tirafilo a macchina in funzione.3. Non avvicinare dita, capelli, lembi di vestiario o oggetti al volantino e alla leva tirafilo quando la macchina è in funzione.4. Se la macchina per cucire è provvista di copricinghia e salvadita, non azionare mai la stessa senza di questi.
	<ol style="list-style-type: none">1. Per garantire le condizioni di sicurezza, assicurarsi che il filo di massa del cavo dell'alimentazione sia stato collegato prima di mettere in funzione la macchina per cucire.2. Spegnerne l'interruttore dell'alimentazione prima di collegare/staccare la spina dalla presa di corrente.3. Durante temporali con fulmini e tuoni, interrompere il lavoro e staccare la spina dalla presa di corrente come misura di sicurezza.4. Se la macchina viene improvvisamente spostata da un luogo freddo a un luogo caldo, potrebbero verificarsi fenomeni di condensa. Accendere la macchina dopo aver controllato che non ci sia pericolo di condensa.5. Al fine di prevenire gli incendi, estrarre periodicamente la spina dalla presa di corrente e pulire la base dei spilli e lo spazio tra i spilli.6. Il crochet oscilla ad alta velocità con macchina in funzione. Al fine di evitare rischi di ferimento alle mani, tenere le stesse lontano dall'area in prossimità del crochet. Inoltre, assicurarsi di disattivare l'alimentazione prima di effettuare l'infilatura della testa della macchina.7. Perciò, al fine di evitare possibili incidenti causati dall'avvio improvviso della macchina, fare attenzione a non dimenticare di spegnere la macchina.8. Fare attenzione alla manipolazione di questo prodotto in modo da non versare acqua od olio, da non sottoporre a urti con caduta, e cose simili poiché questo prodotto è uno strumento di precisione.



ATTENZIONE :

Si tenga presente che dispositivi di sicurezza come "protezione occhi", salvadita, ecc. potrebbero essere tralasciati dalle illustrazioni in questo Manuale d'Istruzioni per comodità di spiegazione. Quando si aziona la macchina, non rimuovere mai questi dispositivi di sicurezza.

MISURE DI SICUREZZA DA ADOTTARE PRIMA DELLA MESSA IN FUNZIONE



ATTENZIONE :

Controllare quanto segue per impedire eventuali malfunzionamenti o danni alla macchina.

- Prima di avviare la macchina per la prima volta dopo la messa a punto, pulire a fondo rimuovendo completamente la polvere accumulatasi durante il trasporto ed oliando bene la macchina.
- Assicurarsi che la tensione sia corretta.
Controllare che la spina dell'alimentazione sia inserita correttamente alla presa di corrente.
- Non usare mai la macchina nei casi in cui la tensione di rete sia diversa da quella specificata.
- Il corretto senso di rotazione della macchina è antiorario visto dal lato della puleggia.
Non far girare la macchina in senso inverso.
- Non utilizzare mai la macchina per cucire a meno che la macchina per cucire non sia sufficientemente lubrificata.
- Per far funzionare la macchina per cucire, assicurarsi di installare correttamente la macchina per cucire sul tavolo. Accendere quindi l'interruttore dell'alimentazione.
- Assicurarsi di rimuovere il filo dalla testa della macchina e crochet prima di iniziare la prova di funzionamento.
- Assicurarsi di utilizzare la macchina per cucire con la velocità di punto abbassata a 2.800 sti/min o meno per il primo mese dopo l'installazione.
- Far girare il volantino soltanto a macchina totalmente ferma.

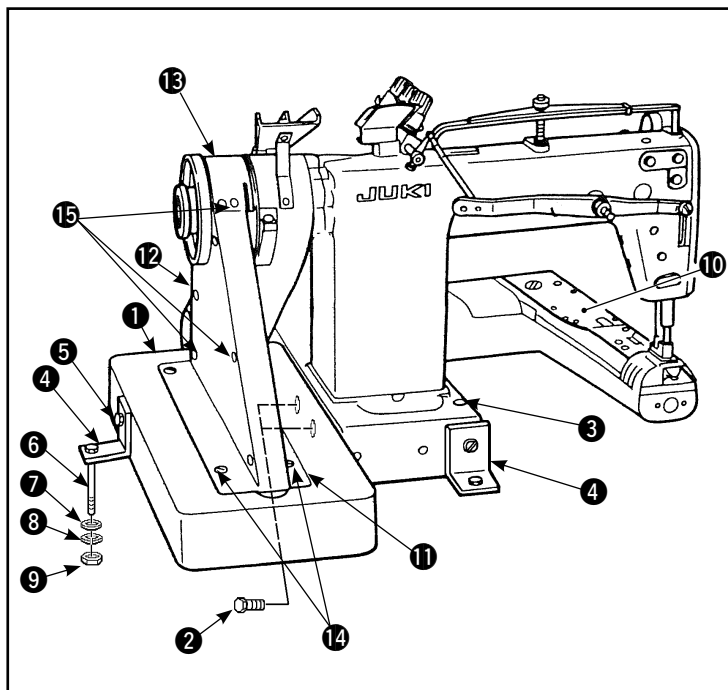
INDICE

CARATTERISTICHE TECNICHE	1
1. INSTALLAZIONE DELLA MACCHINA PER CUCIRE	1
2. REGOLAZIONE DELLA TENSIONE DELLA CINGHIA.....	2
3. INSTALLAZIONE DEL PORTAFILO	2
4. MONTAGGIO DELLA LEVA A GINOCCHIO.....	2
5. LUBRIFICAZIONE.....	3
6. MONTAGGIO DELL'AGO.....	3
7. INFILATURA DELLA TESTA DELLA MACCHINA.....	4
8. TENSIONE DEL FILO.....	4
9. REGOLAZIONE DELLA PRESSIONE DEL PIEDINO PREMISTOFFA.....	5
10. REGOLAZIONE DELLA LUNGHEZZA DEL PUNTO	5
11. REGOLAZIONE DELLA PROTEZIONE AGO.....	6
12. REGOLAZIONE DELLA CAMMA DEL FILO DEL CROCHET	6
13. ALTEZZA DELLA GRIFFA DI TRASPORTO	7
14. TEMPESTIVITÀ PER RILASCIARE LA TENSIONE DEL FILO DELL'AGO.....	7
15. REGOLAZIONE DELLA LEVA DI CONTROLLO DELLA TENSIONE TIRAFILO.....	7
16. POSIZIONE DELLA LEVA DI RILASCIO INTERMEDIA DELLA TENSIONE DEL FILO E GUIDAFILO DEL REGOLATORE DELLA TENSIONE DEL FILO DELL'AGO	8
17. VELOCITÀ DI CUCITURA E LA PULEGGIA DEL MOTORE	8
18. TABELLA DI CALIBRI SOSTITUIBILI	9

CARATTERISTICHE TECNICHE

Modello	MS-1261	MS-1261M
Applicazione	Per materiali de pesanti - extrapesanti	Per materiali de media pesantezza - pesanti
Numero di aghi	3	
Velocità di cucitura	3.600 sti/min max (normale 3.000 sti/min)	
Ago	ORGAN UY x 128GAS-NY #16 e #22 (standard #21)	ORGAN UY x 128GAS-NY #16 e #22 (standard #19)
	SCHMETZ UY-128GAS Nm. 100 e Nm. 140 (standard Nm. 130)	SCHMETZ UY-128GAS Nm. 100 e Nm. 140 (standard Nm. 120)
Altezza del piedino premistoffa	10 mm	
Lunghezza del punto	tra 1,4 e 4,2 mm (con un puller del tessuto)	
Calibro ago	7/32", 1/4", 9/32", 5/16", 3/8"	
Circonferenza cilindro	194 mm	
Olio lubrificante	JUKI New Defrix Oil No.1	
Rumorosità	<p>- Livello di pressione acustica (L_{pA}) dell'emissione continua equivalente dell'ambiente lavorativo : Valore ponderato A di 83,0 dB ; (Include $K_{pA} = 2,5$ dB) ; secondo la norma ISO 10821- C.6.2 -ISO 11204 GR2 a 3.600 sti/min</p> <p>- Livello di potenza acustica (L_{WA}) ; Valore ponderato A di 92,5 dB; (Include $K_{WA} = 2,5$ dB) ; secondo la norma ISO 10821- C.6.2 -ISO 11204 GR2 a 3.600 sti/min</p>	

1. INSTALLAZIONE DELLA MACCHINA PER CUCIRE



1) Quando si trasporta la macchina per cucire, assicurarsi di trasportarla in due persone.

(Attenzione) Non tenere la puleggia.

- 2) Non mettere un oggetto appuntito, come il cacciavite, nel posto dove la macchina per cucire deve essere installata.
- 3) Attaccare la base paracinghia ① alla macchina per cucire con il bullone a testa esagonale ②.
- 4) Mettere la macchina per cucire sul tavolo e determinare la sua posizione (l'apertura per il passaggio della cinghia e il foro ③ per il passaggio della catena dell'alzapiedino).
- 5) Attaccare le due piastre di supporto ④ della testa della macchina alla macchina per cucire per mezzo della vite ⑤. Fissare le piastre sul tavolo tramite il bullone esagonale ⑥, la rondella ⑦, la rondella elastica ⑧ e il dado ⑨.
- 6) Mettere un livello sulla piastra laterale ⑩ del basamento in direzione laterale e in direzione longitudinale per controllare che la macchina per cucire sia in posizione orizzontale.
- 7) Installare il copricinghia ⑪, la cinghia a V, il coperchio ⑫ del copricinghia e il coperchio superiore ⑬ sulla macchina per cucire e fissarli con le viti ⑭ e ⑮.

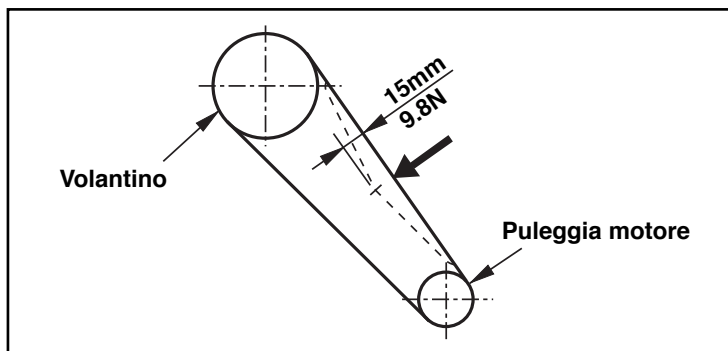
Quando si installa il copricinghia, prima stringere le viti temporaneamente. Stringere quindi saldamente le viti dopo l'installazione di tutte le parti relative.

2. REGOLAZIONE DELLA TENSIONE DELLA CINGHIA



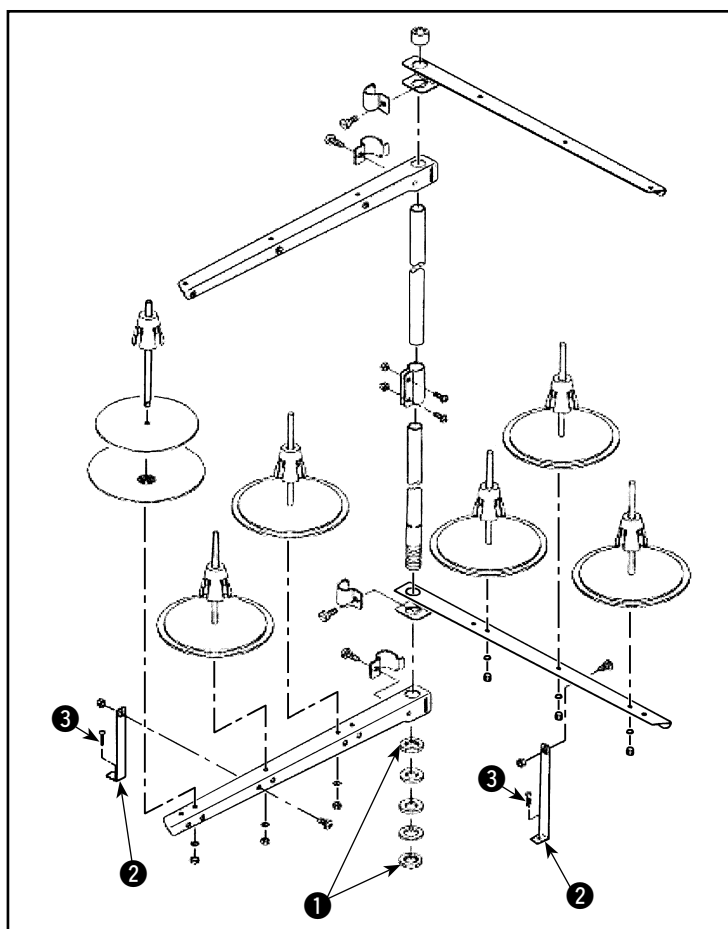
AVVERTIMENTO :

Per evitare possibili ferimenti causati dall'avvio improvviso della macchina per cucire, prima di effettuare le seguenti operazioni spegnere l'interruttore dell'alimentazione ed assicurarsi che il motore abbia completamente cessato di ruotare.



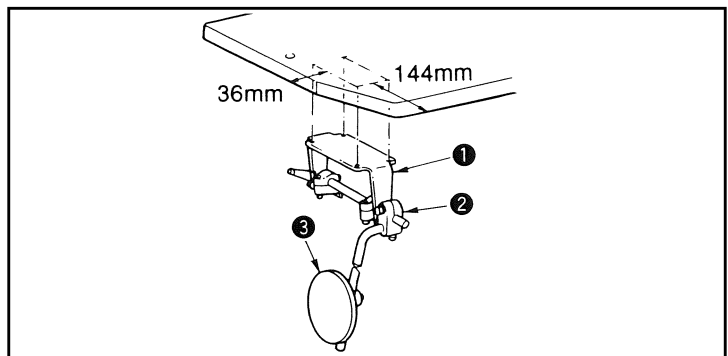
Regolare la tensione della cinghia con l'altezza del motore in modo che la cinghia si incurvi di 15 mm quando un carico di 9,8 N viene applicato al centro della cinghia a V.

3. INSTALLAZIONE DEL PORTAFILO



- 1) Montare il portafilo. Inserirlo nel foro del tavolo. Stringere il controdado ❶ in modo da tenere fermo il portafilo.
- 2) Fissare la staffa ❷ dell'asta porta rocchetto sul tavolo con la vite per legno ❸.

4. MONTAGGIO DELLA LEVA A GINOCCHIO



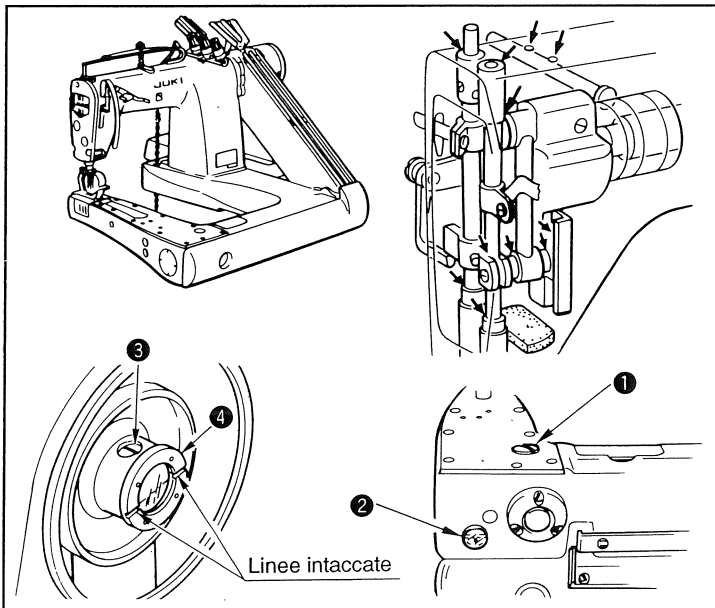
- 1) Fissare base di fissaggio (assieme) ❶ della leva a ginocchio sulla parte inferiore del tavolo tramite viti per legno.
- 2) Montare albero verticale del cuscinetto a ginocchio (assieme) ❸ a braccio di fissaggio ❷ dell'albero verticale del cuscinetto a ginocchio. Fissarlo quindi nella posizione in cui si può azionare il cuscinetto a ginocchio con facilità.

5. LUBRIFICAZIONE



AVVERTIMENTO :

Per evitare possibili ferimenti causati dall'avvio improvviso della macchina per cucire, prima di effettuare le seguenti operazioni spegnere l'interruttore dell'alimentazione ed assicurarsi che il motore abbia completamente cessato di ruotare.



★Prima di mettere in funzione la macchina per cucire

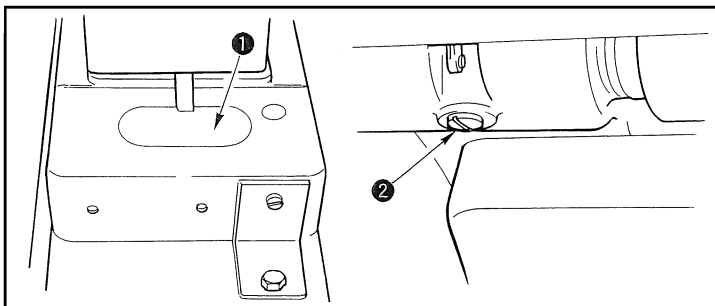
- 1) Rimuovere vite ❶ dal foro di lubrificazione. Versare Olio New Defrix Oil No.1 fino a quando la superficie dell'olio raggiunge il segno della finestrina livello olio ❷.
- 2) Girare il volantino fino a quando le linee intaccate sulla coppa dell'olio ❹ sono livellate. Rimuovere quindi vite ❸ dal foro di lubrificazione, e versare l'olio fino a quando la superficie dell'olio raggiunge le linee intaccate sulla coppa dell'olio (circa la metà della capacità della coppa).
- 3) Far girare la macchina per cucire per qualche minuto, controllare di nuovo quindi la quantità di olio. Se la quantità di olio è insufficiente, versare ancora l'olio fino a quando la macchina è riempita di una adeguata quantità di olio.
- 4) Se la macchina per cucire non è stata utilizzata per un lungo tempo, lubrificare la parte segnata con una freccia (↔) con qualche goccia di olio.

(Attenzione) Per attivare la macchina per cucire per la prima volta dopo l'installazione o dopo un lungo periodo di inattività, riempire completamente la coppa dell'olio. Verificare che il livello dell'olio sia sempre tenuto entro l'area segnata in rosso.



★Drenaggio olio

- 1) Se l'olio si è accumulato in scanalatura ❶ del serbatoio dell'olio, pulirlo con stracci.
- 2) Estrarre l'olio che si è accumulato nella base macchina, di tanto in tanto, rimuovendo coperchio ❷ dal foro di drenaggio nell'albero di movimentazione del crochet.

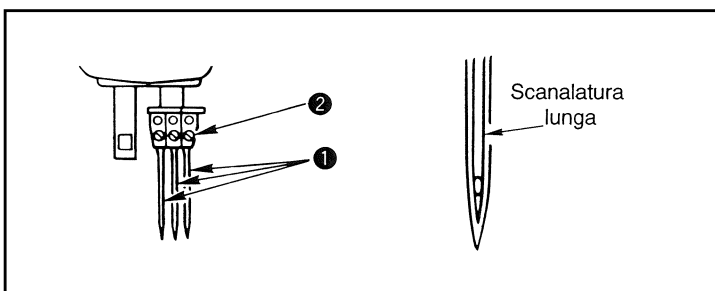


6. MONTAGGIO DELL'AGO



AVVERTIMENTO :

Per evitare possibili ferimenti causati dall'avvio improvviso della macchina per cucire, prima di effettuare le seguenti operazioni spegnere l'interruttore dell'alimentazione ed assicurarsi che il motore abbia completamente cessato di ruotare.



Scegliere il titolo dell'ago a seconda dello spessore del filo e del tipo del materiale da usare.

- 1) Girare il volantino fino a quando la barra ago raggiunge la posizione più alta della sua corsa.
- 2) Allentare vite ❷ nel morsetto barra ago, e girare aghi ❶ in modo che la scanalatura lunga sui rispettivi aghi si volti verso l'operatore.
- 3) Infilare aghi il più possibile nel foro del morsetto barra ago.
- 4) Stringere saldamente vite ❷ nel morsetto barra ago.

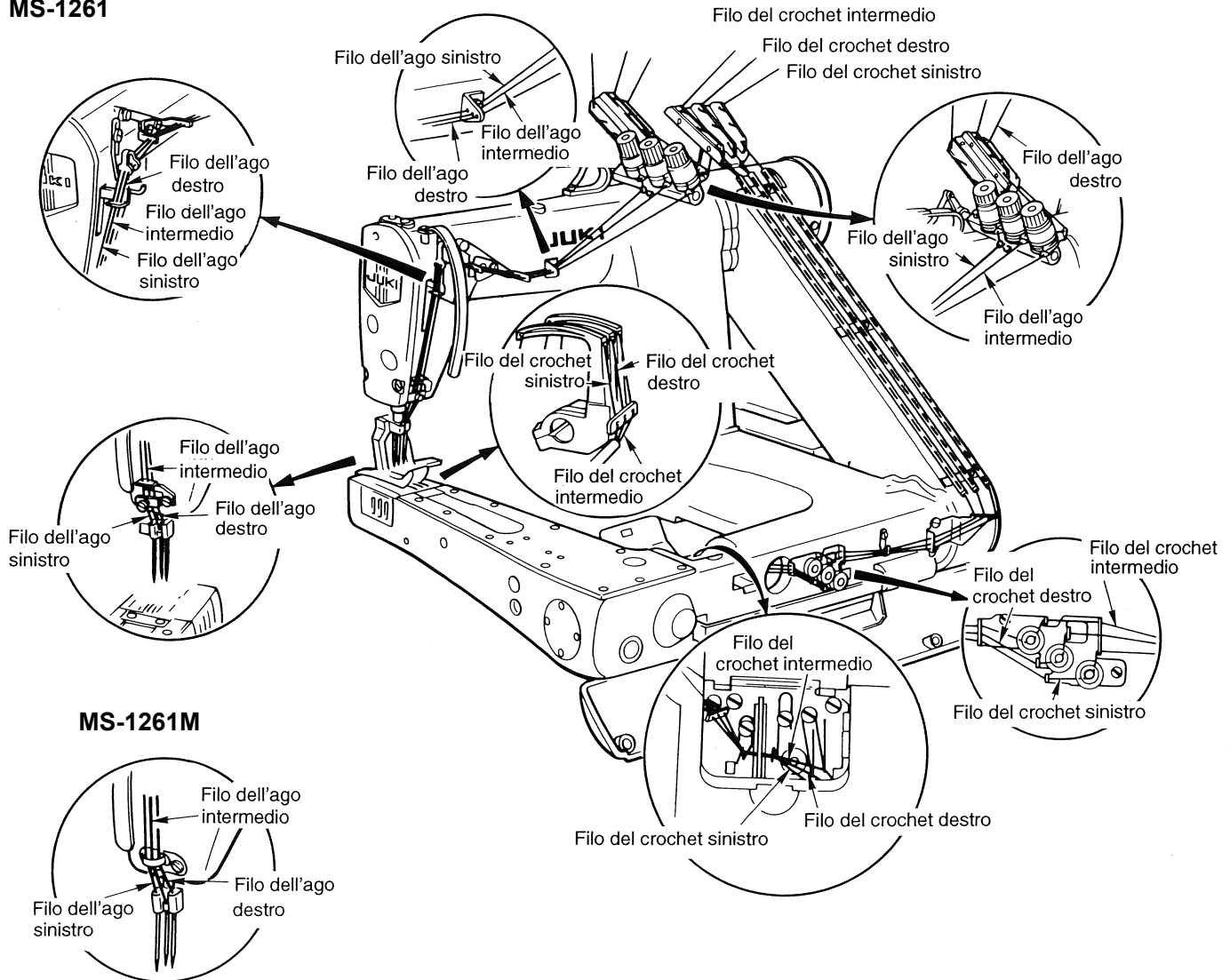
7. INFILATURA DELLA TESTA DELLA MACCHINA



AVVERTIMENTO :

Per evitare possibili ferimenti causati dall'avvio improvviso della macchina per cucire, prima di effettuare le seguenti operazioni spegnere l'interruttore dell'alimentazione ed assicurarsi che il motore abbia completamente cessato di ruotare.

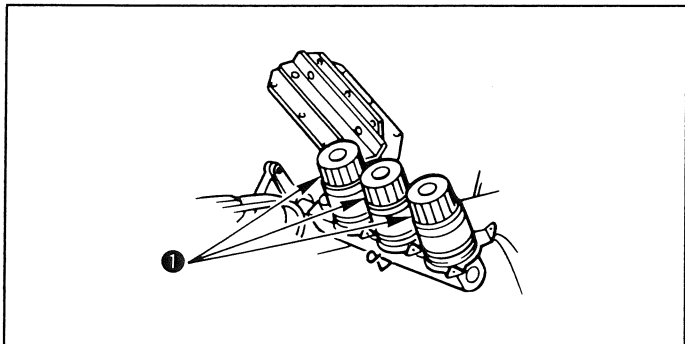
MS-1261



MS-1261M

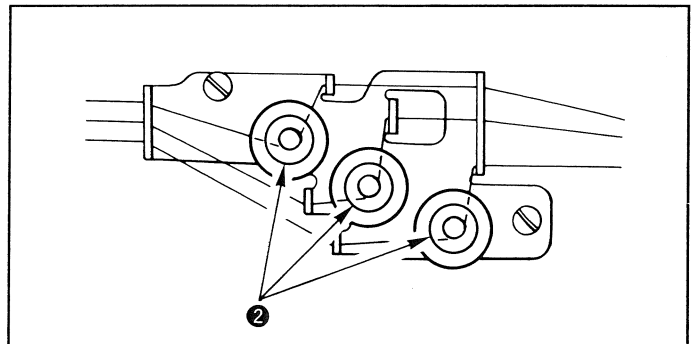
Infilare la testa della macchina nell'ordine mostrato nella figura.

8. TENSIONE DEL FILO



(1) Regolazione della tensione del filo dell'ago

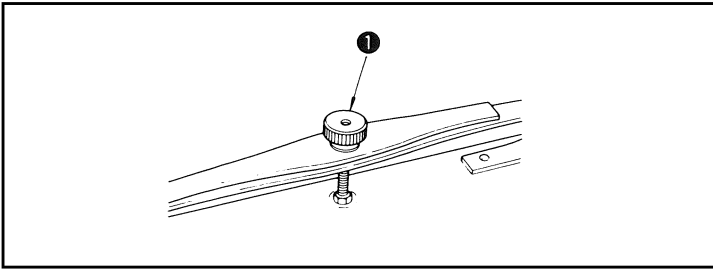
Girare dadi di tensione ❶ in senso orario per aumentare la tensione del filo dell'ago. Girarli in senso antiorario per diminuire la tensione del filo dell'ago.



(2) Regolazione della tensione del filo del crochet

Girare manopole di regolazione ❷ della tensione del filo del crochet in senso orario per aumentare la tensione del filo del crochet. Girarle in senso antiorario per diminuire la tensione del filo del crochet.

9. REGOLAZIONE DELLA PRESSIONE DEL PIEDINO PREMISTOFFA



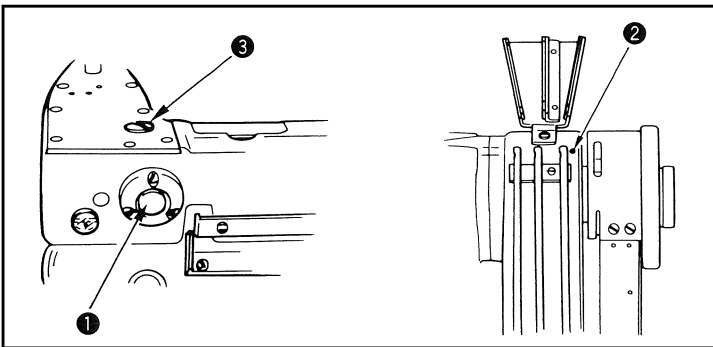
Girare regolatore **1** della molla del piedino premistoffa in senso orario per aumentare la pressione del piedino premistoffa. Girarlo in senso antiorario per diminuire la pressione.

10. REGOLAZIONE DELLA LUNGHEZZA DEL PUNTO

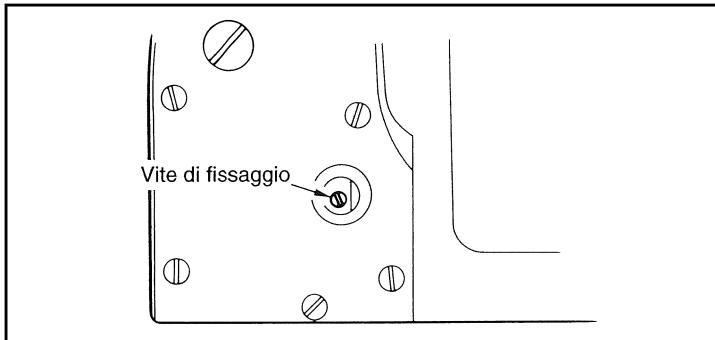


AVVERTIMENTO :

Per evitare possibili ferimenti causati dall'avvio improvviso della macchina per cucire, prima di effettuare le seguenti operazioni spegnere l'interruttore dell'alimentazione ed assicurarsi che il motore abbia completamente cessato di ruotare.



- 1) Rimuovere vite **3**, e allentare la vite di fissaggio nella camma oscillante di trasporto.
- 2) Premendo leggermente pulsante **1**, girare il volantino manualmente.
- 3) Quando il pulsante **1** addenta, la macchina per cucire si fermerà.
- 4) Nel suddetto stato, premendo ulteriormente il pulsante **1**, girare il volantino manualmente.
- 5) Allineare la graduazione (il valore desiderato) a puntino di riferimento **2** inciso sul coperchio dente per catena. Rilasciare quindi il pulsante **1**.
- 6) Stringere la vite di fissaggio nella camma oscillante di trasporto.
- 7) Attaccare vite **3** a posto.



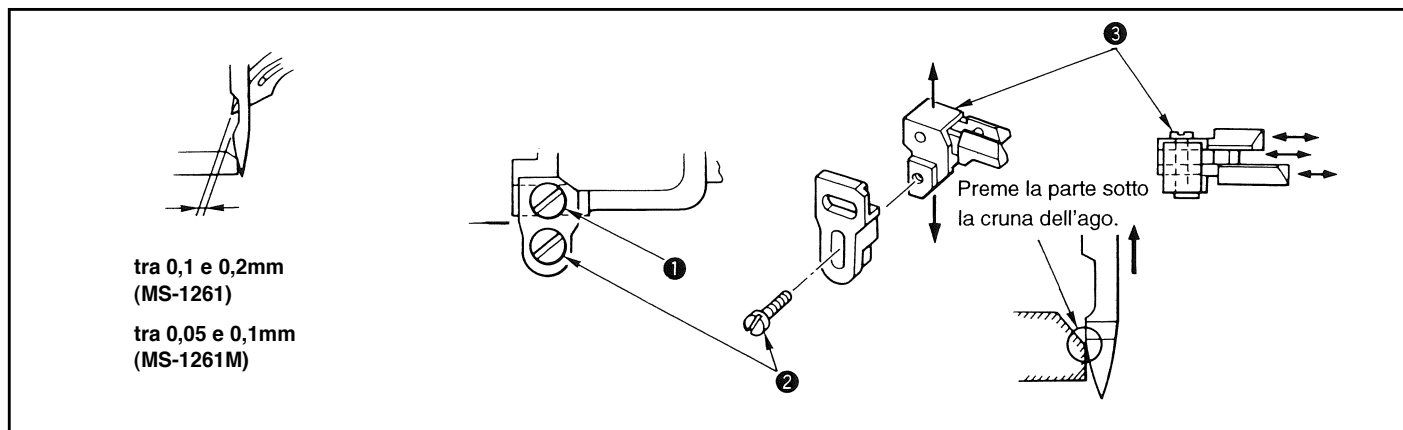
- (Attenzione) 1. Non premere mai il pulsante **1** mentre la macchina per cucire è in funzione.**
- 2. Assicurarsi di azionare la macchina per cucire dopo aver stretto la vite di fissaggio.**
- 3. Non azionare mai la macchina per cucire con vite **3** rimossa.**
- 4. La vite di bloccaggio ha una vite di bloccaggio per evitare che la vite di allentamento.**
- La testa della vite di blocco può essere danneggiato se si forza rimuoverlo.**

11. REGOLAZIONE DELLA PROTEZIONE AGO



AVVERTIMENTO :

Per evitare possibili ferimenti causati dall'avvio improvviso della macchina per cucire, prima di effettuare le seguenti operazioni spegnere l'interruttore dell'alimentazione ed assicurarsi che il motore abbia completamente cessato di ruotare.



La protezione ago è stata montata sulla griffa di trasporto. È necessario perciò regolare la protezione ago tutte le volte in cui la quantità di trasporto viene modificata.

(Regolazione del gioco lasciato tra l'ago e il crochet)

- 1) Girare il volantino per allineare l'estremità del crochet al centro dell'ago.
- 2) Allentare vite ❶, e spostare l'insieme della protezione ago verso destra o sinistra per consentire alla protezione ago di premere l'ago in modo che un gioco compreso tra 0,1 e 0,2 mm sia lasciato tra il crochet e l'ago. (tra 0,05 e 0,1 mm per MS-1261M)

(Regolazione della posizione verticale della protezione ago)

- 1) Girare il volantino per portare la protezione ago ad una posizione dove la stessa comincia a premere l'ago.
- 2) Allentare vite ❷, e spostare l'insieme della protezione ago su o giù in modo che la protezione ago sia posta ad una posizione dove la stessa non preme e non deforma anse del filo dell'ago. (appena sotto la cruna dell'ago)

(Regolazione dei giochi tra i rispettivi aghi e crochet)

Se i giochi tra i rispettivi aghi e crochet non sono uguali dopo che il gioco tra ciascun ago e crochet è stato regolato spostando l'insieme della protezione ago, regolare in modo che il gioco uguale sia lasciato tra i rispettivi aghi e crochet seguendo i gradini descritti qui sotto.

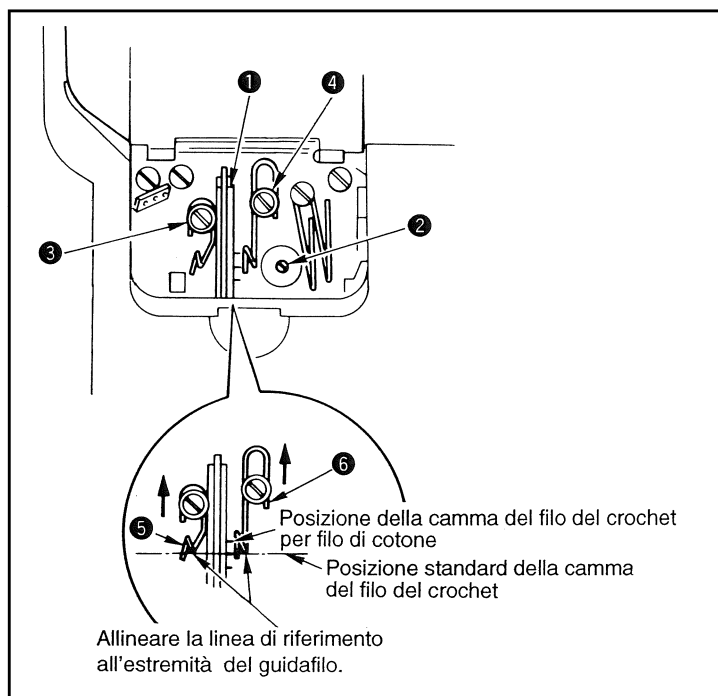
- 1) Girare il volantino per allineare l'estremità del crochet al centro dell'ago.
- 2) Allentare vite ❸, e spostare le rispettive protezioni ago per regolare in modo che il gioco uguale sia lasciato tra i rispettivi aghi e crochet.

12. REGOLAZIONE DELLA CAMMA DEL FILO DEL CROCHET



AVVERTIMENTO :

Per evitare possibili ferimenti causati dall'avvio improvviso della macchina per cucire, prima di effettuare le seguenti operazioni spegnere l'interruttore dell'alimentazione ed assicurarsi che il motore abbia completamente cessato di ruotare.



Allentare vite ❷, e regolare camma ❶ del filo del crochet in modo che il crochet tiri il filo quando il crochet comincia a ritornare alla sua posizione originale dopo che si è sporto al massimo.

(1) Regolazione del guidafile della camma del filo del crochet

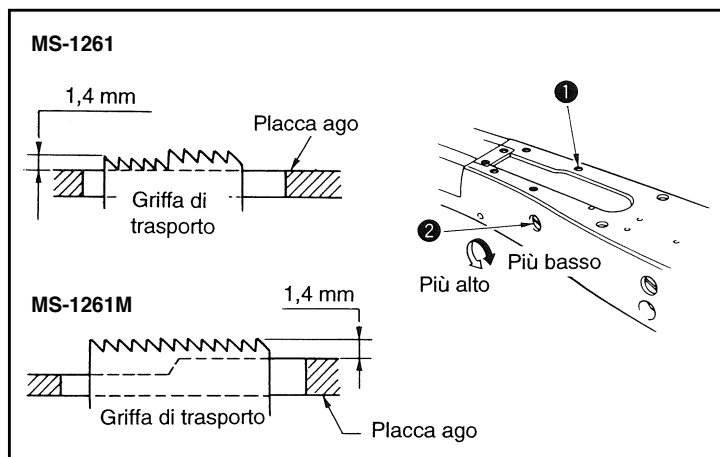
- 1) Allineare l'estremità del guidafile ❸ alla linea di riferimento su guidafile ❹. Regolare quindi guidafile ❺ in modo che la sua estremità sia a livello dell'estremità del guidafile ❸.
- 2) La posizione standard del guidafile si ottiene quando l'estremità del guidafile è allineata alla linea di riferimento centrale.
- 3) Quando si usa un filo di cotone, allentare viti ❸ e ❹, e allineare le estremità dei guidafile ❺ e ❻ alla linea di riferimento posta in fondo. A questo punto, non è necessario regolare di nuovo la sincronizzazione della camma del filo del crochet.

13. ALTEZZA DELLA GRIFFA DI TRASPORTO



AVVERTIMENTO :

Per evitare possibili ferimenti causati dall'avvio improvviso della macchina per cucire, prima di effettuare le seguenti operazioni spegnere l'interruttore dell'alimentazione ed assicurarsi che il motore abbia completamente cessato di ruotare.



L'estremità superiore della griffa di trasporto dovrebbe sollevarsi per 1,4 mm sopra la superficie della placca ago quando la griffa di trasporto è nella posizione più alta della sua corsa.

(1) Regolazione dell'altezza della griffa di trasporto

- 1) Allentare vite ① nella piastra laterale della base macchina e rimuoverla.
- 2) Rimuovere vite ①, e allentare la vite a brugola sotto la vite ① con una chiave a brugola a forma di L.
- 3) Regolare l'altezza della griffa di trasporto girando albero di regolazione ② della quantità del trasporto.
- 4) Fissare l'albero con la vite a brugola e stringere vite ①.

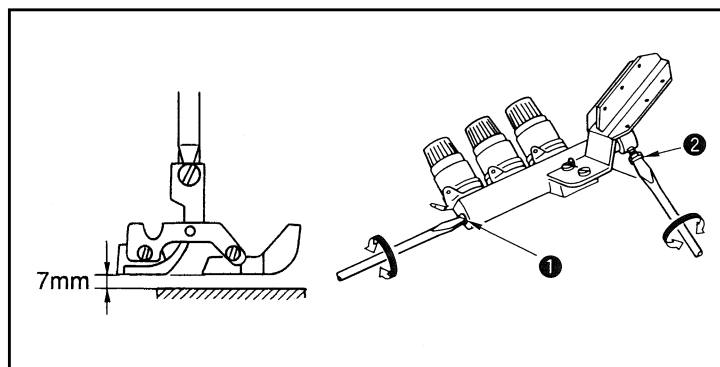
(Attenzione) Non è necessario fissare saldamente l'albero di regolazione ② della quantità del trasporto.

14. TEMPESTIVITÀ PER RILASCIARE LA TENSIONE DEL FILO DELL'AGO



AVVERTIMENTO :

Per evitare possibili ferimenti causati dall'avvio improvviso della macchina per cucire, prima di effettuare le seguenti operazioni spegnere l'interruttore dell'alimentazione ed assicurarsi che il motore abbia completamente cessato di ruotare.



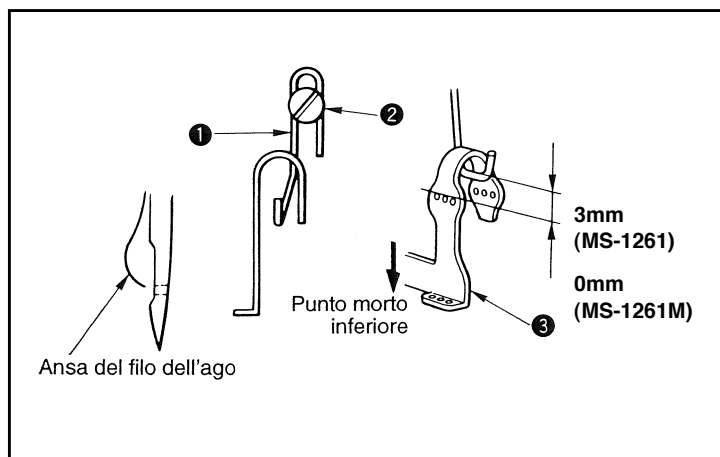
Regolare in modo che la tensione del filo dell'ago viene rilasciata quando il piedino premistoffa è sollevato per 7 mm sopra la superficie della placca ago. Allentare vite ② in albero rilascio tensione ①, e regolare la tempestività per rilasciare la tensione del filo dell'ago girando l'albero in senso orario o in senso antiorario.

15. REGOLAZIONE DELLA LEVA DI CONTROLLO DELLA TENSIONE TIRAFILO



AVVERTIMENTO :

Per evitare possibili ferimenti causati dall'avvio improvviso della macchina per cucire, prima di effettuare le seguenti operazioni spegnere l'interruttore dell'alimentazione ed assicurarsi che il motore abbia completamente cessato di ruotare.



Dimensione dell'ansa del filo dell'ago viene determinata regolando la posizione della leva di controllo ① della tensione tirafilo.

Dimensione dell'ansa del filo dell'ago cambia a seconda del filo e del materiale usato. Regolare perciò la dimensione dell'ansa del filo all'occasione.

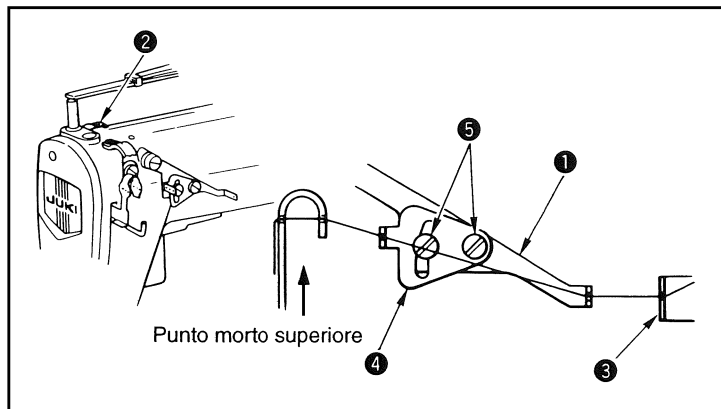
- 1) Allentare due viti ②, e regolare la posizione della guida della leva tirafilo spostandola su o giù.
- 2) Regolare in modo che l'estremità superiore della leva di controllo della tensione del filo sia posizionata a 3 mm sopra l'estremità superiore del foro del filo nella leva tirafilo ③ della barra ago quando la barra ago è nel suo punto morto inferiore. (0 mm per MS-1261M)
- 3) Abbassando leva di controllo ① della tensione del filo, la dimensione dell'ansa del filo diminuisce. Sollevando la leva, la dimensione aumenta.

16. POSIZIONE DELLA LEVA DI RILASCIO INTERMEDIA DELLA TENSIONE DEL FILO E GUIDAFILO DEL REGOLATORE DELLA TENSIONE DEL FILO DELL'AGO



AVVERTIMENTO :

Per evitare possibili ferimenti causati dall'avvio improvviso della macchina per cucire, prima di effettuare le seguenti operazioni spegnere l'interruttore dell'alimentazione ed assicurarsi che il motore abbia completamente cessato di ruotare.



Regolare la posizione di leva di rilascio intermedia ❶ della tensione del filo e guidafile ❷ del regolatore della tensione del filo dell'ago come descritto qui sotto.

- 1) Girare il volantino per portare la barra ago al punto morto superiore.
- 2) Allentare vite ❷, e regolare la posizione di leva di rilascio intermedia ❶ della tensione del filo in modo che il filo che viene da guida intermedia ❸ del filo dell'ago sia parallelo alla leva di rilascio intermedia della tensione del filo.
- 3) Allentare quindi due viti ❸, e regolare la posizione di guidafile ❷ del regolatore della tensione del filo dell'ago in modo che il filo che viene da leva di rilascio intermedia ❶ della tensione del filo faccia una linea retta.

17. VELOCITÀ DI CUCITURA E LA PULEGGIA DEL MOTORE

- 1) Usare un motore a frizione di trifase e 400W (1/2 HP).
Per un servomotore, una base di fissaggio del sincronizzatore è disponibile a richiesta.
- 2) Usare una cinghia a V di tipo M.
- 3) Tabella qui sotto mostra la relazione tra puleggia motore, velocità di cucitura.

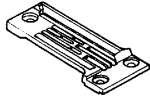
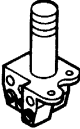
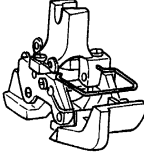
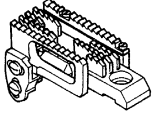
Modello	Numero di giri della macchina per cucire	Diametro valido del volantino	Numero di poli del motore	Frequenza	Numero di giri del motore	Diametro valido della puleggia del motore
MS-1261 MS-1261M	3.600 sti/min	67.4mm	2	50Hz	2.860 giri/min	85mm
				60Hz	3.430 giri/min	70mm
	3.000 sti/min			50Hz	2.860 giri/min	70mm
				60Hz	3.430 giri/min	60mm

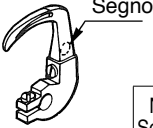
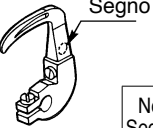
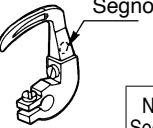
★ Il diametro effettivo di puleggia motore si ottiene sottraendo 5 mm dal suo diametro esterno.

★ Il motore dovrebbe girare in senso antiorario, visto dal lato volantino. Fare attenzione a non consentire al motore di girare in senso inverso.

18. TABELLA DI CALIBRI SOSTITUIBILI

(1) MS-1261 (per materiali de extrapesanti)

			1	2	3	4	5
Nome di parte			Serie calibri (con protezione dita)	Placca ago	Morsetto barra ago (assieme)	Piedino premistoffa (assieme) (con protezione dita)	Griffa di trasporto (assieme)
Calibro ago							
Codice	Pollice	mm					
E	7/32	5,6	12954061	12954004	12956355	12957163	12965158
F	1/4	6,4	12953964	12953907	12956256	12957064	12965059
G	9/32	7,2	12954160	12954103	12956454	12957262	12965257
H	5/16	8,0	12954269	12954202	12956553	12957361	12965356
K	3/8	9,5	12954368	12954301	12956652	12957460	12965455

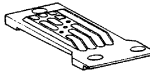
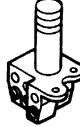
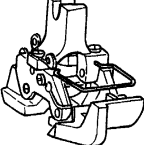
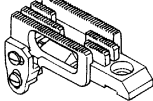
			6	7	8	
Nome di parte			Crochet (SN.) (assieme)	Crochet (DS.) (assieme)	Crochet (C) (assieme)	
Calibro ago			 Segno	 Segno	 Segno	
Codice	Pollice	mm	No. Segno	No. Segno	No. Segno	
E	7/32	5,6	12968558	1	12968855	1
F	1/4	6,4				
G	9/32	7,2	12968657	2	12968954	2
H	5/16	8,0				
K	3/8	9,5				

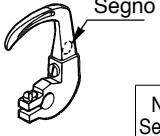
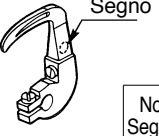
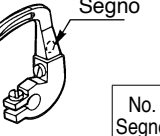
9. Distanziale per griffa di trasporto (per MS-1261)

No.	Spessore (mm)	No. di parte	Nome di parte
①	0,3	12976601	Piastra di regolazione B griffa di trasporto
②	0,8	12976700	Piastra di regolazione C griffa di trasporto
③	1,0	12976809	Piastra di regolazione D griffa di trasporto

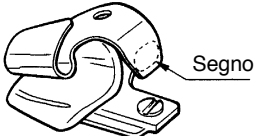
* Il distanziatore non è inclusa nella serie calibri.

(2) MS-1261M (per materiali de media pesantezza)

			1	2	3	4	5
Nome di parte			Serie calibri (con protezione dita)	Placca ago	Morsetto barra ago (assieme)	Piedino premistoffa (assieme) (con protezione dita)	Griffa di trasporto (assieme)
Calibro ago							
Codice	Pollice	mm					
E	7/32	5,6	12954665	12954608	12956355	12956165	12970059
F	1/4	6,4	12954566	12954509	12956256	12956066	12969952
G	9/32	7,2	12954764	12954707	12956454	12956769	12970158
H	5/16	8,0	12954863	12954806	12956553	12956868	12970257
K	3/8	9,5	12954962	12954905	12956652	12956967	12970356

			6	7	8			
Nome di parte			Crochet (SN.) (assieme)		Crochet (DS.) (assieme)		Crochet (C) (assieme)	
Calibro ago								
Codice	Pollice	mm	No. Segno	No. Segno	No. Segno	No. Segno		
E	7/32	5,6	12968558	1	12968855	1	12969150	1
F	1/4	6,4						
G	9/32	7,2						
H	5/16	8,0	12968657	2	12968954	2		
K	3/8	9,5						

(3) Piegatrice

			1	2	3
Nome di parte			Piegatrice (assieme)		
Calibro ago					
Codice	Pollice	mm	M297	M298	M299
E	7/32	5,6	MAM2970DDBA	MAM2980AABA	MAM2990AABA
F	1/4	6,4	MAM2970EEBA	MAM2980BBBA	MAM2990BBBA
G	9/32	7,2	MAM2970FFBA	MAM2980CCBA	MAM2990CCBA
H	5/16	8,0	MAM2970GGBA	MAM2980DDBA	MAM2990DDBA
K	3/8	9,5	MAM2970HHBA	MAM2980EEBA	MAM2990EEBA

* Piegatrice non è inclusa nella serie calibri.

Codice di piegatrice

- M297** — Per materiali de media pesantezza
(in dotazione con MS-1261M come standard)
- M298** — Per materiali de pesanti (A richiesta)
- M299** — Per materiali de extrapesanti
(in dotazione con MS-1261 come standard)

JUKI®

JUKI CORPORATION
SEWING MACHINERY BUSINESS UNIT
2-11-1, TSURUMAKI, TAMA-SHI,
TOKYO, 206-8551, JAPAN
PHONE : (81)42-357-2371
FAX : (81)42-357-2380
<http://www.juki.com>

Copyright © 2011 JUKI CORPORATION

- All rights reserved throughout the world.
- Alle Rechte weltweit vorbehalten.
- Tous droits réservés partout dans le monde.
- Reservados todos derechos en el mundo entero.
- Tutti i diritti sono riservati in tutto il mondo.



Please do not hesitate to contact our distributors or agents in your area for further information when necessary.
* **The description covered in this instruction manual is subject to change for improvement of the commodity without notice.**

Bitte wenden Sie sich an unsere Händler oder Vertreter in Ihrer Nähe, wenn Sie weitere Informationen benötigen.
* **Änderungen der in dieser Betriebsanleitung enthaltenen Beschreibungen, die der Verbesserung des Produktes dienen, bleiben vorbehalten.**

Pour plus d'information, n'hésitez pas à consulter nos distributeurs ou agents dans votre région.
* **Les spécifications données dans le présent Manuel d'utilisation sont sujettes à modification sans préavis.**

Sírvase ponerse en contacto con nuestros distribuidores o agentes en su área siempre que necesite alguna información más detallada.
* **La descripción que se de en este manual de instrucciones está sujeta a cambio sin previo aviso por razones de mejora de la mercancía.**

Per ulteriore informazione, si prega di non esitare a mettersi in contatto con nostri distributori o agenti vostra area quando necessario.
* **Le descrizioni contenute in questo manuale d' istruzioni sono soggette a modifiche senza alcun preavviso.**