

PARTS LIST

S159/S160/S161/S162 PARTS LIST

下記 URL (PARTS Website/PC サイト) より、便利な検索機能のついた Web Parts Book をご利用頂けます。
ご利用には会員登録が必要です。(無料)

<https://juki.aftama.com/JUKI/JA>

You can use a Web Parts Book with a convenient search function from the URLs (PARTS Website/PC-site)
below. To use the PARTS Website, free membership registration is required.

<https://juki.aftama.com/JUKI/EN>

HOW TO MAKE USE OF THIS PARTS LIST

- 1.As to “#01” and “#02” refer to the “Note” given at the bottom of the respective pages.
- 2.Codes on the “Qty” column
 - Each numeral indicates the number of parts required.
 - “0.1” and “2.5” indicate the length (in meters) of the respective parts.
- 3.Parentheses mean that the corresponding part is a subpart that constructs an assembly part.
- 4.Dotted lines on the Figures indicate assembly parts.

パーツリストご利用に際して

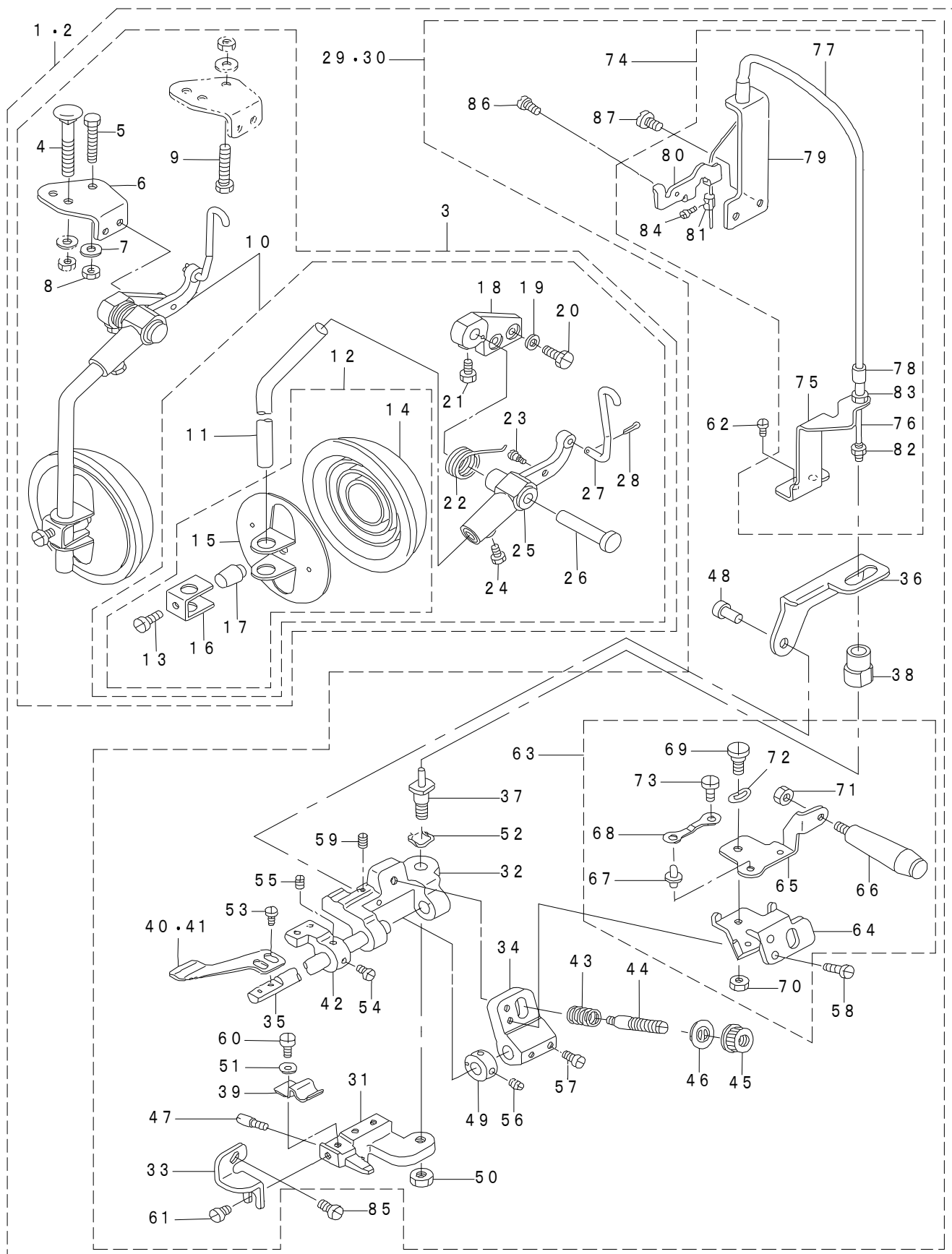
1. リストページの #01、#02 の印は、ページ下の “注記” の説明を参照下さい。
2. 数量欄の数字は、個数を表し、0.1、2.5 等の数値は、長さ（単位メートル）を表します。
3. 数量欄の（ ）は、組部品を構成している子部品であることを意味します。
4. イラストページの-----枠は、組構成であることを意味します。

CONTENTS

目次

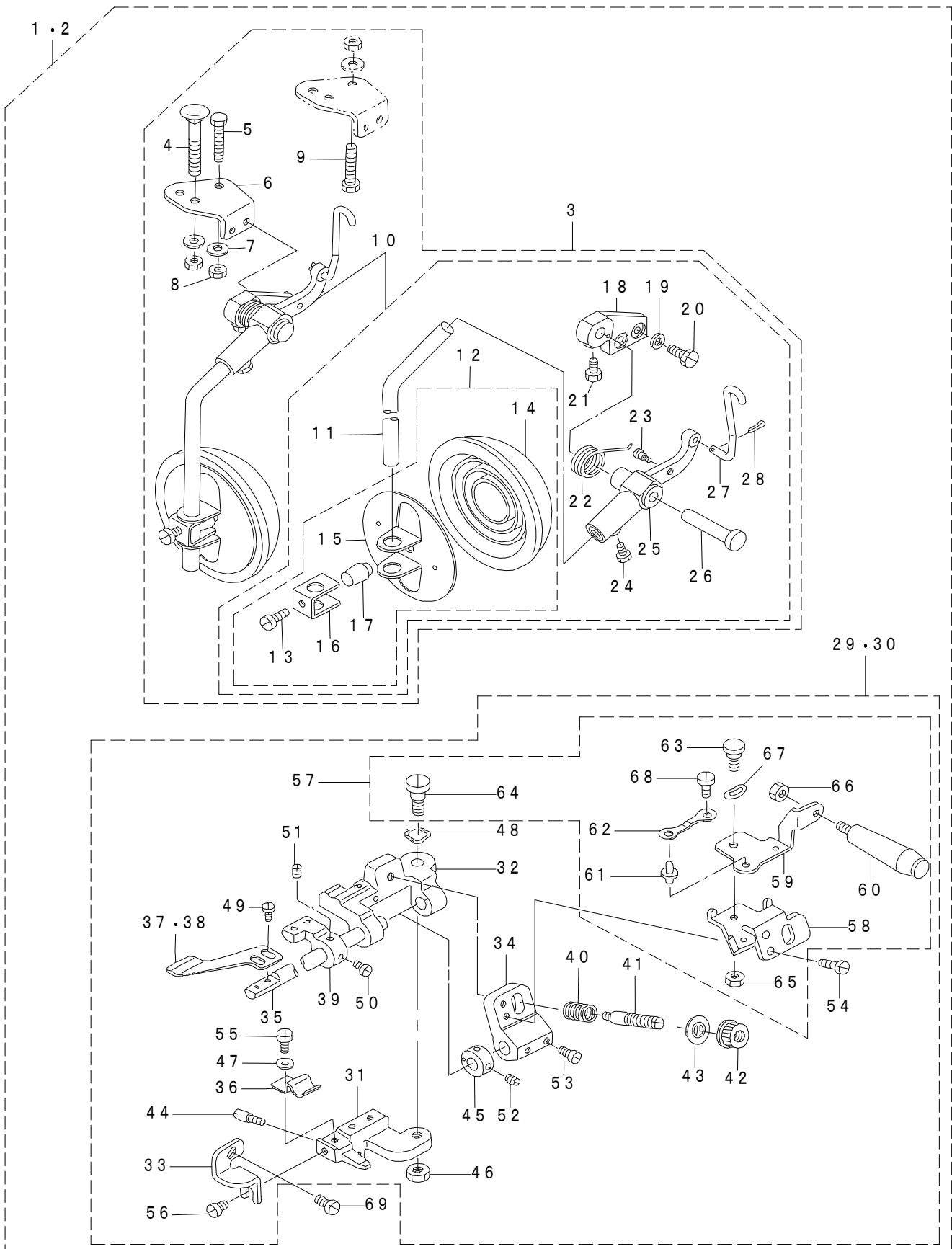
1. S159,S160.....	1
2. S161,S162.....	3
NUMERICAL INDEX OF PARTS.....	5
索引	

1. S159,S160



REF.NO	NOTE	PART NO	DESCRIPTION	品名	Qty
1	#01	MAS-159000A0	GATHERING DEVICE ASM.	ひだ取り装置 (総組)	1
2	#02	MAS-160000A0	GATHERING DEVICE ASM.	ひだ取り装置 (総組)	1
3		MAS-107010A0	KNEE OPERATING DEVICE ASM.	膝上げ装置 (組)	(1)
4	#03	MAS-10704000	BOLT	受板ボルト	(1)
5	#04	SM-9083013-SC	SCREW M8 L=30	六角ボルト M8 L=30	(1)
6		MAS-10701000	INSTALLING PLATE	膝上げレバー台取付板	(1)
7	#04	WP-0850002-SC	WASHER 8.5X18X1.6	平座金 8.5X18X1.6	(1)
8	#04	NM-6080600-SM	NUT M8	六角ナット M8 1種	(1)
9	#05	SM-9084533-SC	SCREW M8 L=45	六角ボルト M8 L=45	(2)
10		MAS-107010C0	KNEE PRESS PLATE ASM.	膝当て板 (組)	(1)
11		MAS-10702000	ROD	膝上げ軸	(1)
12		110-23751	KNEE PRESS PLATE ASM.	膝当て板 (組)	(1)
13		SM-9061203-SE	SCREW M6 L=12	六角ボルト M6 L=12	(1)
14		229-34509	KNEE PAD PLATE COVER	膝当て板カバー	(1)
15		229-34202	KNEE PAD PLATE	膝当て板	(1)
16		229-34301	KNEE PAD PLATE SUPPORT	膝当て板支え	(1)
17		229-34400	KNEE PAD PLATE RUBBER	膝当て板ゴム	(1)
18		MAS-10501000	LEVER INSTALLING BASE	膝上げレバー台	(1)
19		WP-0740516-SP	WASHER 7.4X11.8X0.5	平座金 7.4X11.8X0.5	(2)
20		SS-9681610-TP	SCREW 9/32-28 L=16	六角ボルト 9/32-28 L=16	(2)
21		SS-9151210-TP	SCREW 15/64-28 L=11.8	六角ボルト 15/64-28	(1)
22		MAS-10503000	SPRING	膝上げレバーばね	(1)
23		SD-0550501-SP	HINGE SCREW D=5.5 H=5	段ねじ D=5.5 H=5	(1)
24		SS-9151210-TP	SCREW 15/64-28 L=11.8	六角ボルト 15/64-28	(1)
25		MAS-10502000	LEVER	膝上げレバー	(1)
26		MAS-10504000	PIN	膝上げレバー軸	(1)
27		MAS-10703000	CONNECTING ROD	膝上げ連結棒	(1)
28		PD-0201000-0D	SPLIT PIN 1.8X10	割りピン 1.8X10	(1)
29	#01	MAS-159010A0	PEDAL SHIRRING ATTACHMENT ASM.	ひだ取り装置 (組)	(1)
30	#02	MAS-160010A0	PEDAL SHIRRING ATTACHMENT ASM.	ひだ取り装置 (組)	(1)
31		MAS-15901000	PRESSER PLATE BASE	ひだ取り押え取付台	(1)
32		MAS-15902000	SWING BASE	ひだ取り押え支持台	(1)
33		MAS-15903000	BRACKET	回り止め	(1)
34		MAS-15904000	ARM	ひだ取り押えばね腕	(1)
35		MAS-15905000	SHAFT	ひだ取り軸	(1)
36		MAS-15908000	LIFTING LEVER	引き上げレバー	(1)
37		MAS-15909000	LIFTING SHAFT	引き上げ軸	(1)
38		MAS-15910000	LIFTING COLLAR	引き上げカラー	(1)
39		MAS-15911000	SPRING	ひだ取り押え支持台ばね	(1)
40	#01	MAS-05108000	INTERMITTENT SHIRRING PRESSER	ひだ取り押え	(1)
41	#02	MAS-05208000	INTERMITTENT SHIRRING PLATE	ひだ取り押え	(1)
42		MAS-05212000	PIPING MOUNTING BLOCK	パイピング取付台	(1)
43		MAS-05205000	SPRING	ひだ取り押えばね	(1)
44		B3105-804-000	TENSION POST	糸調子棒	(1)
45		B3116-125-000	TENSION NUT	糸調子ナット	(1)
46		B3120-125-000	ROTATING STOPPER	糸調子皿回転止め	(1)
47		MAS-05202000	SCREW	ひだ取り押え取付台支えねじ	(1)
48		MAS-05714000	PIN	引き上げレバーひんじ軸	(1)
49		CS-0790811-SP	THRUST COLLAR D=7.94 W=8	スラスト受 D=7.94 W=8	(1)
50		NS-6160520-SP	NUT 1/4-24	六角ナット 1/4-24	(1)
51		WP-0480856-SP	WASHER 4.8X8.4X0.8	平座金 4.8X8.4X0.8	(1)
52		WZ-0850302-K0	WAVED WASHER 8.5X12.5X0.3	波形座金 8.5X12.5X0.3	(1)
53		SS-6090650-SP	SCREW 9/64-40 L=6	平ねじ 9/64-40 L=6	(2)
54		SS-6110650-SP	SCREW 11/64-40 L=5.5	平ねじ 11/64-40 L=5.5	(1)
55		SS-8110520-TP	SCREW 11/64-40 L=4.5	止めねじ 11/64-40 L=4.5	(1)
56		SS-8110520-TP	SCREW 11/64-40 L=4.5	止めねじ 11/64-40 L=4.5	(2)
57		SS-6110710-TP	SCREW 11/64-40 L=6.5	平ねじ 11/64-40 L=6.5	(2)
58		SS-4090715-SP	SCREW 9/64-40 L=7	なべねじ 9/64-40 L=7	(2)
59		SS-8090410-SP	SCREW 9/64-40 L=3.5	止めねじ 9/64-40 L=3.5	(1)
60		SS-7110710-SP	SCREW 11/64-40 L=7	丸平ねじ 11/64-40 L=7	(1)
61		SS-7110720-SP	SCREW 11/64-40 L=7	丸平ねじ 11/64-40 L=7	(1)
62		SS-7110910-SP	SCREW 11/64-40 L=8.5	丸平ねじ 11/64-40 L=8.5	(2)
63		MAS-159060A0	LIFTING ARM ASM.	引き上げ腕 (組)	(1)
64		MAS-15906000	LIFTING ARM	引き上げ腕	(1)
65		MAS-15907000	MANUAL LEVER ARM	手動レバー腕	(1)
66		MAS-15915000	MANUAL LEVER	手動レバー	(1)
67		MAL-12115000	ARM FIXING PLATE STOPPER	腕固定板ストッパー	(1)
68		MAL-12116000	FIXING PLATE STOPPER SPRING	腕固定板ストッパーばね	(1)
69		SD-0600352-SP	HINGE SCREW	段ねじ	(1)
70		NS-6110350-SP	NUT 11/64-40	六角ナット 11/64-40	(1)
71		NM-6050001-SP	NUT M5	六角ナット M5X0.8 1種	(1)
72		WZ-0640312-K0	WAVED WASHER	波形座金 6.4X11X0.3	(1)
73		SS-7110340-SP	SCREW 11/64-40 L=3.2	丸平ねじ 11/64-40 L=3.2	(1)
74		MAS-159120A0	WIRE STOPPER ARM.	ワイヤーストッパー (組)	(1)
75		MAS-15912000	WIRE STOPPER	ワイヤーストッパー	(1)
76		MAS-159130A0	WIRE ASM	ワイヤー (組)	(1)
77		MAS-15914000	WIRE TUBE	ワイヤーチューブ	(1)
78		MAS-12512000	WIRE ADJUSTING STUD	ワイヤー調節軸	(1)
79		MAS-057180A0	WIRE SUPPORT ASM.	ワイヤー支え (組)	(1)
80		MAS-05719000	LIFTING LEVER CONNECTOR	押し上げレバー継手	(1)
81		MAS-05720000	WIRE STOPPER	ワイヤ止め	(1)
82		NS-6090310-SP	NUT 9/64-40	六角ナット 9/64-40	(1)
83		NS-6110310-SP	NUT 11/64-40	六角ナット 11/64-40	(1)
84		SS-9090640-SP	SCREW 9/64-40 L=6	六角ボルト 9/64-40 L=6	(1)
85		SS-7110840-SP	SCREW 11/64-40 L=7.8	丸平ねじ 11/64-40 L=7.8	(1)
86		SS-7110710-SP	SCREW 11/64-40 L=7	丸平ねじ 11/64-40 L=7	(1)
87		SS-6151040-SP	SCREW 15/64-28 L=10	平ねじ 15/64-28 L=10	(2)
		NOTE(注記)	#01...FOR S159 #02...FOR S160 #03...FOR SEMI-SUNKEN TYPE TABLE (FOR EXPORT) #04...FOR SEMI-SUNKEN TYPE TABLE #05...FOR FULLY-SUNKEN TYPE TABLE	S159用 S160用 卓上式テーブル用 (輸出用) 卓上式テーブル用 全洗式テーブル用	

2. S161,S162



REF.NO	NOTE	PART NO	DESCRIPTION	品名	Qty
1	#01	MAS-161000A0	GATHERING DEVICE ASM.	ひだ取り装置(総組)	1
2	#02	MAS-162000A0	GATHERING DEVICE ASM.	ひだ取り装置(総組)	1
3		MAS-107010A0	KNEE OPERATING DEVICE ASM.	膝上げ装置(組)	(1)
4	#03	MAS-10704000	BOLT	受板ボルト	(1)
5	#04	SM-9083013-SC	SCREW M8 L=30	六角ボルト M8 L=30	(1)
6		MAS-10701000	INSTALLING PLATE	膝上げレバー台取付板	(1)
7	#04	WP-0850002-SC	WASHER 8.5X18X1.6	平座金 8.5X18X1.6	(1)
8	#04	NM-6080600-SM	NUT M8	六角ナット M8 1種	(1)
9	#05	SM-9084533-SC	SCREW M8 L=45	六角ボルト M8 L=45	(2)
10		MAS-107010C0	KNEE PRESS PLATE ASM.	膝当て板(組)	(1)
11		MAS-10702000	ROD	膝上げ軸	(1)
12		110-23751	KNEE PRESS PLATE ASM.	膝当て板(組)	(1)
13		SM-9061203-SE	SCREW M6 L=12	六角ボルト M6 L=12	(1)
14		229-34400	KNEE PAD PLATE RUBBER	膝当て板ゴム	(1)
15		229-34202	KNEE PAD PLATE	膝当て板	(1)
16		229-34301	KNEE PAD PLATE SUPPORT	膝当て板支え	(1)
17		229-34400	KNEE PAD PLATE RUBBER	膝当て板ゴム	(1)
18		MAS-10501000	LEVER INSTALLING BASE	膝上げレバー台	(1)
19		WP-0740516-SP	WASHER 7.4X11.8X0.5	平座金 7.4X11.8X0.5	(2)
20		SS-9681610-TP	SCREW 9/32-28 L=16	六角ボルト 9/32-28 L=16	(2)
21		SS-9151210-TP	SCREW 15/64-28 L=11.8	六角ボルト 15/64-28	(1)
22		MAS-10503000	SPRING	膝上げレバーばね	(1)
23		SD-0550501-SP	HINGE SCREW D=5.5 H=5	段ねじ D=5.5 H=5	(1)
24		SS-9151210-TP	SCREW 15/64-28 L=11.8	六角ボルト 15/64-28	(1)
25		MAS-10502000	LEVER	膝上げレバー	(1)
26		MAS-10504000	PIN	膝上げレバー軸	(1)
27		MAS-10703000	CONNECTING ROD	膝上げ連結棒	(1)
28		PD-0201000-0D	SPLIT PIN 1.8X10	割りピン 1.8X10	(1)
29	#01	MAS-161010A0	PEDAL SHIRRING ATTACHMENT ASM.	ひだ取り装置(組)	(1)
30	#02	MAS-162010A0	PEDAL SHIRRING ATTACHMENT ASM.	ひだ取り装置(組)	(1)
31		MAS-15901000	PRESSER PLATE BASE	ひだ取り押え取付台	(1)
32		MAS-15902000	SWING BASE	ひだ取り押え支持台	(1)
33		MAS-15903000	BRACKET	回り止め	(1)
34		MAS-15904000	ARM	ひだ取り押えばね腕	(1)
35		MAS-15905000	SHAFT	ひだ取り軸	(1)
36		MAS-15911000	SPRING	ひだ取り押え支持台ばね	(1)
37	#01	MAS-05108000	INTERMITTENT SHIRRING PRESSER	ひだ取り押え	(1)
38	#02	MAS-05208000	INTERMITTENT SHIRRING PLATE	ひだ取り押え	(1)
39		MAS-05212000	PIPING MOUNTING BLOCK	パイピング取付台	(1)
40		MAS-05205000	SPRING	ひだ取り押えばね	(1)
41		B3105-804-000	TENSION POST	糸調子棒	(1)
42		B3116-125-000	TENSION NUT	糸調子ナット	(1)
43		B3120-125-000	ROTATING STOPPER	糸調子皿回転止め	(1)
44		MAS-05202000	SCREW	ひだ取り押え取付台支えねじ	(1)
45		CS-0790811-SP	THRUST COLLAR D=7.94 W=8	スラスト受 D=7.94 W=8	(1)
46		NS-6160520-SP	NUT 1/4-24	六角ナット 1/4-24	(1)
47		WP-0480856-SP	WASHER 4.8X8.4X0.8	平座金 4.8X8.4X0.8	(1)
48		WZ-0850302-K0	WAVED WASHER 8.5X12.5X0.3	波形座金 8.5X12.5X0.3	(1)
49		SS-6090650-SP	SCREW 9/64-40 L=6	平ねじ 9/64-40 L=6	(2)
50		SS-6110650-TP	SCREW 11/64-40 L=5.5	平ねじ 11/64-40 L=5.5	(1)
51		SS-8110520-TP	SCREW 11/64-40 L=4.5	止めねじ 11/64-40 L=4.5	(1)
52		SS-8110520-TP	SCREW 11/64-40 L=4.5	止めねじ 11/64-40 L=4.5	(2)
53		SS-6110710-TP	SCREW 11/64-40 L=6.5	平ねじ 11/64-40 L=6.5	(1)
54		SS-4090715-SP	SCREW 9/64-40 L=7	なべねじ 9/64-40 L=7	(2)
55		SS-7110710-SP	SCREW 11/64-40 L=7	丸平ねじ 11/64-40 L=7	(1)
56		SS-7110720-SP	SCREW 11/64-40 L=7	丸平ねじ 11/64-40 L=7	(1)
57		MAS-159060A0	LIFTING ARM ASM.	引き上げ腕(組)	(1)
58		MAS-15906000	LIFTING ARM	引き上げ腕	(1)
59		MAS-15907000	MANUAL LEVER ARM	手動レバー腕	(1)
60		MAS-15915000	MANUAL LEVER	手動レバー	(1)
61		MAL-12115000	ARM FIXING PLATE STOPPER	腕固定板ストッパー	(1)
62		MAL-12116000	FIXING PLATE STOPPER SPRING	腕固定板タストッパーばね	(1)
63		SD-0600352-SP	HINGE SCREW	段ねじ	(1)
64		SD-0790801-SP	HINGE SCREW D=7.94 H=8	段ねじ D=7.94 H=8	(1)
65		NS-6110350-SP	NUT 11/64-40	六角ナット 11/64-40	(1)
66		NM-6050001-SP	NUT M5	六角ナット M5X0.8 1種	(1)
67		WZ-0640312-K0	WAVED WASHER	波形座金 6.4X11X0.3	(1)
68		SS-7110340-SP	SCREW 11/64-40 L=3.2	丸平ねじ 11/64-40 L=3.2	(1)
69		SS-7110840-SP	SCREW 11/64-40 L=7.8	丸平ねじ 11/64-40 L=7.8	(1)
		NOTE(注記)	#01....FOR S161 #02....FOR S162 #03....FOR SEMI-SUNKEN TYPE TABLE (FOR EXPORT) #04....FOR SEMI-SUNKEN TYPE TABLE #05....FOR FULLY-SUNKEN TYPE TABLE	S161用 S162用 卓上式テーブル用(輸出用) 卓上式テーブル用 全沈式テーブル用	

NUMERICAL INDEX OF PARTS

索引

PART NO 品番	PAGE 頁	REF NO	PART NO 品番	PAGE 頁	REF NO	PART NO 品番	PAGE 頁	REF NO	PART NO 品番	PAGE 頁	REF NO
B3105-804-000	2	44	MAS-15914000	2	77	WZ-0850302-K0	2	52			
B3105-804-000	4	41	MAS-15915000	2	66	WZ-0850302-K0	4	48			
B3116-125-000	2	45	MAS-15915000	4	60						
B3116-125-000	4	42	MAS-160000A0	2	2	110-23751	2	12			
B3120-125-000	2	46	MAS-160010A0	2	30	110-23751	4	12			
B3120-125-000	4	43	MAS-161000A0	4	1						
			MAS-161010A0	4	29	229-34202	2	15			
CS-0790811-SP	2	49	MAS-162000A0	4	2	229-34202	4	15			
CS-0790811-SP	4	45	MAS-162010A0	4	30	229-34301	2	16			
						229-34301	4	16			
MAL-12115000	2	67	NM-6050001-SP	2	71	229-34400	2	17			
MAL-12115000	4	61	NM-6050001-SP	4	66	229-34400	4	14			
MAL-12116000	2	68	NM-6080600-SM	2	8	229-34400	4	17			
MAL-12116000	4	62	NM-6080600-SM	4	8	229-34509	2	14			
MAS-05108000	2	40	NS-6090310-SP	2	82						
MAS-05108000	4	37	NS-6110310-SP	2	83						
MAS-05202000	2	47	NS-6110350-SP	2	70						
MAS-05202000	4	44	NS-6110350-SP	4	65						
MAS-05205000	2	43	NS-6160520-SP	2	50						
MAS-05205000	4	40	NS-6160520-SP	4	46						
MAS-05208000	2	41									
MAS-05208000	4	38	PD-0201000-0D	2	28						
MAS-05212000	2	42	PD-0201000-0D	4	28						
MAS-05212000	4	39									
MAS-05714000	2	48	SD-0550501-SP	2	23						
MAS-057180A0	2	79	SD-0550501-SP	4	23						
MAS-05719000	2	80	SD-0600352-SP	2	69						
MAS-05720000	2	81	SD-0600352-SP	4	63						
MAS-10501000	2	18	SD-0790801-SP	4	64						
MAS-10501000	4	18	SM-9061203-SE	2	13						
MAS-10502000	2	25	SM-9061203-SE	4	13						
MAS-10502000	4	25	SM-9083013-SC	2	5						
MAS-10503000	2	22	SM-9083013-SC	4	5						
MAS-10503000	4	22	SM-9084533-SC	2	9						
MAS-10504000	2	26	SM-9084533-SC	4	9						
MAS-10504000	4	26	SS-4090715-SP	2	58						
MAS-107010A0	2	3	SS-4090715-SP	4	54						
MAS-107010A0	4	3	SS-6090650-SP	2	53						
MAS-107010C0	2	10	SS-6090650-SP	4	49						
MAS-107010C0	4	10	SS-6110650-TP	2	54						
MAS-10701000	2	6	SS-6110650-TP	4	50						
MAS-10701000	4	6	SS-6110710-TP	2	57						
MAS-10702000	2	11	SS-6110710-TP	4	53						
MAS-10702000	4	11	SS-6151040-SP	2	87						
MAS-10703000	2	27	SS-7110340-SP	2	73						
MAS-10703000	4	27	SS-7110340-SP	4	68						
MAS-10704000	2	4	SS-7110710-SP	2	60						
MAS-10704000	4	4	SS-7110710-SP	2	86						
MAS-12512000	2	78	SS-7110710-SP	4	55						
MAS-159000A0	2	1	SS-7110720-SP	2	61						
MAS-159010A0	2	29	SS-7110720-SP	4	56						
MAS-15901000	2	31	SS-7110840-SP	2	85						
MAS-15901000	4	31	SS-7110840-SP	4	69						
MAS-15902000	2	32	SS-7110910-SP	2	62						
MAS-15902000	4	32	SS-8090410-SP	2	59						
MAS-15903000	2	33	SS-8110520-TP	2	55						
MAS-15903000	4	33	SS-8110520-TP	2	56						
MAS-15904000	2	34	SS-8110520-TP	4	51						
MAS-15904000	4	34	SS-8110520-TP	4	52						
MAS-15905000	2	35	SS-9090640-SP	2	84						
MAS-15905000	4	35	SS-9151210-TP	2	21						
MAS-159060A0	2	63	SS-9151210-TP	2	24						
MAS-159060A0	4	57	SS-9151210-TP	4	21						
MAS-15906000	2	64	SS-9151210-TP	4	24						
MAS-15906000	4	58	SS-9681610-TP	2	20						
MAS-15907000	2	65	SS-9681610-TP	4	20						
MAS-15907000	4	59									
MAS-15908000	2	36	WP-0480856-SP	2	51						
MAS-15909000	2	37	WP-0480856-SP	4	47						
MAS-15910000	2	38	WP-0740516-SP	2	19						
MAS-15911000	2	39	WP-0740516-SP	4	19						
MAS-15911000	4	36	WP-0850002-SC	2	7						
MAS-159120A0	2	74	WP-0850002-SC	4	7						
MAS-15912000	2	75	WZ-0640312-K0	2	72						
MAS-159130A0	2	76	WZ-0640312-K0	4	67						