

PARTS LIST

MO-6800S/DD20 Series PARTS LIST

下記 URL より、便利な検索機能のついた Web Parts List をご利用頂けます。

ご利用には会員登録が必要です。(無料)

<https://www.juki.co.jp/partslist/>

You can use a Web Parts List with a convenient search function from the URL below. To use this website, free membership registration is required.

<https://www.juki.co.jp/partslist/>

HOW TO MAKE USE OF THIS PARTS LIST

1.Explanation of codes

1)"*" mark.....means this part is changed from the previous parts book.

As to the details of the change,refer to "List for information of change".

2)"#01".....refer to "Note" explanation at bottom of page.

2.Codes on the "Qty" column

• Each numeral indicates the number of parts required.

• "0.1" and "2.5" indicate the length (in meters) of the respective parts.

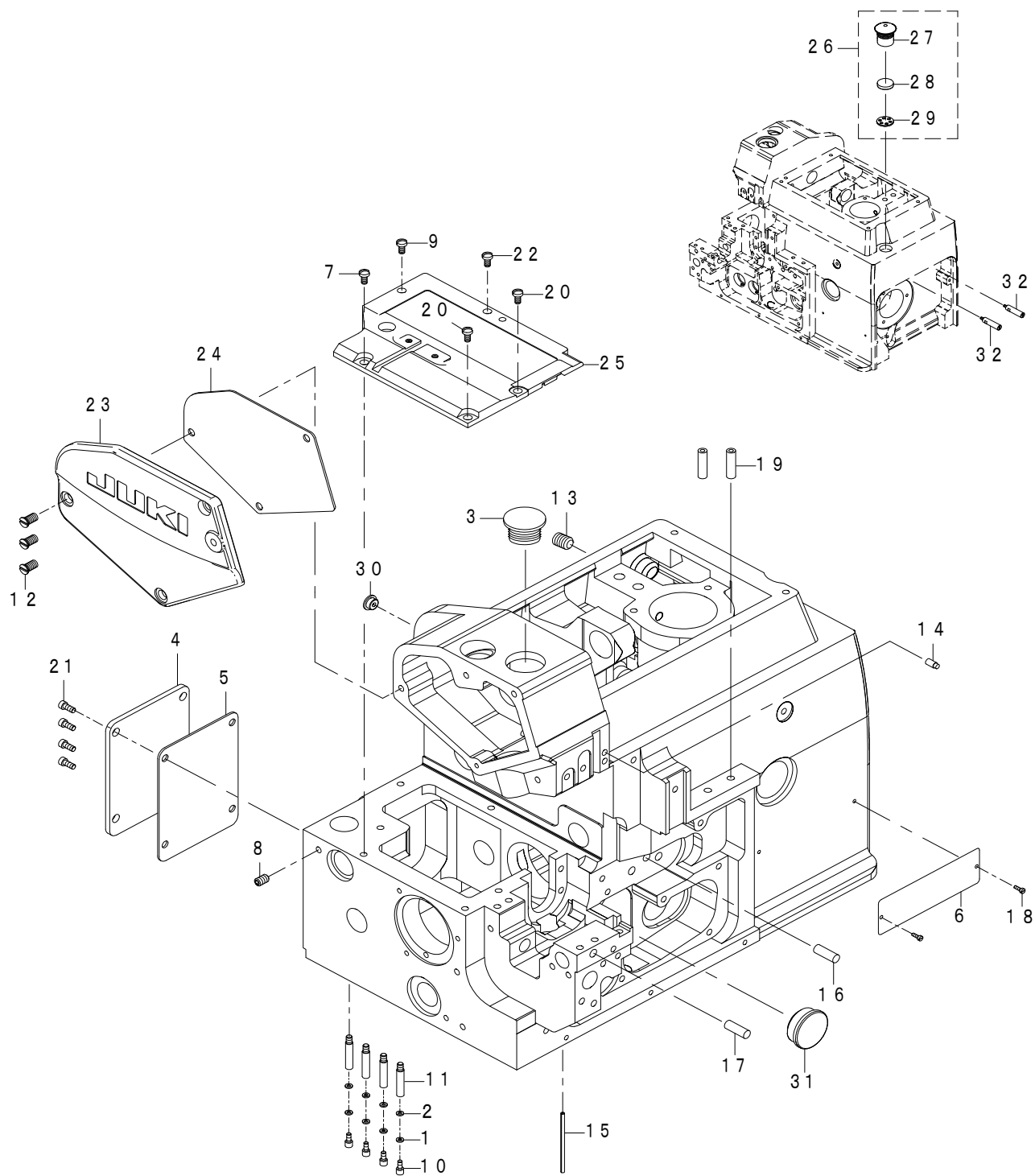
3.Parentheses mean that the corresponding part is a subpart that constructs an assembly part.

4.Dotted lines on the Figures indicate assembly parts.

CONTENTS

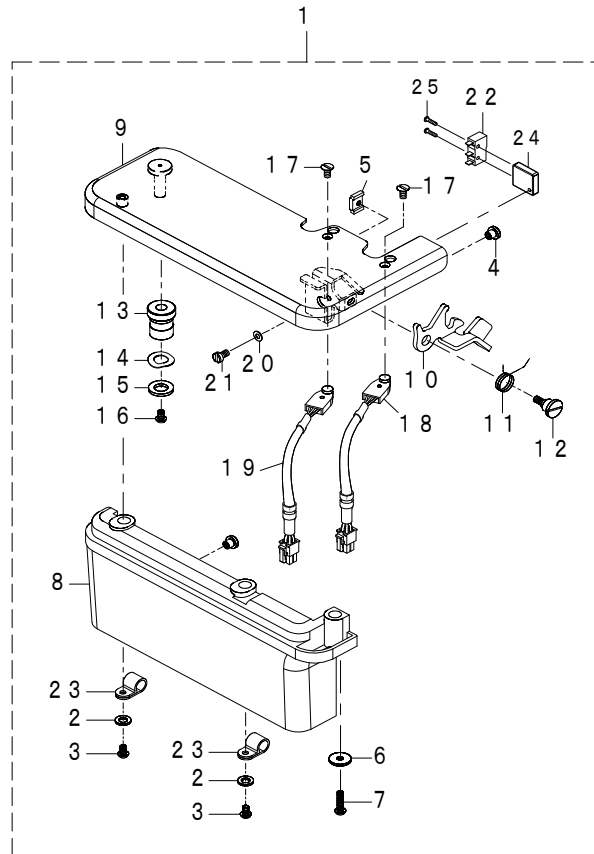
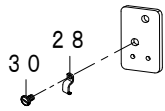
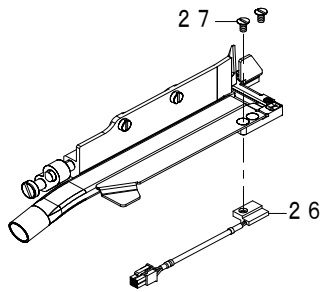
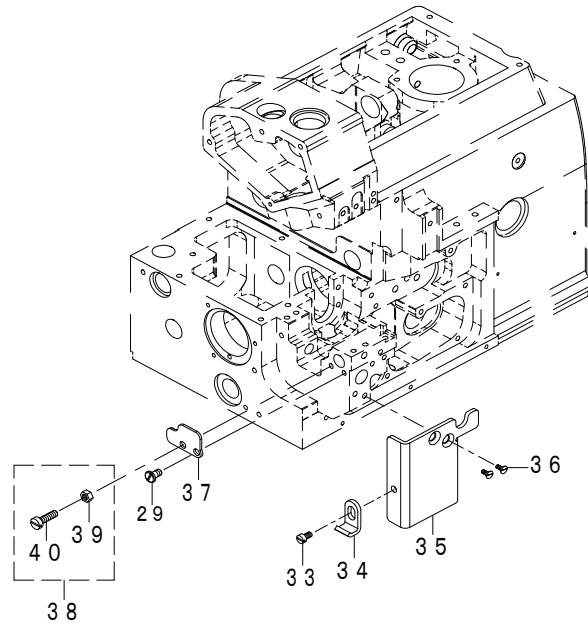
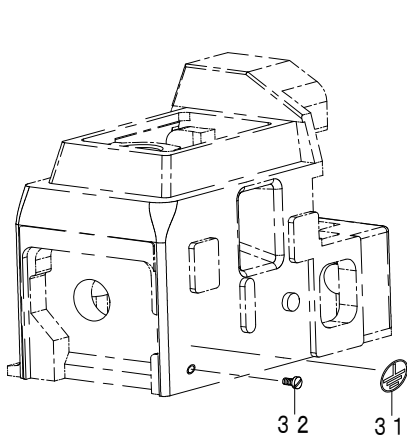
1. MISCELLANEOUS COVER COMPONENTS (1).....	1
2. MISCELLANEOUS COVER COMPONENTS (2).....	3
3. MISCELLANEOUS COVER COMPONENTS (3).....	5
4. CRANKSHAFT COMPONENTS	7
5. NEEDLE DRIVING SHAFT COMPONENTS	9
6. THREAD TENSION COMPONENTS.....	11
7. UPPER LOOPER COMPONENTS	13
8. LOWER LOOPER COMPONENTS	15
9. CHAIN LOOPER COMPONENTS (1).....	17
10. CHAIN LOOPER COMPONENTS (2).....	19
11. FEED MECHANISM COMPONENTS (1).....	21
12. FEED MECHANISM COMPONENTS (2).....	23
13. KNIFE COMPONENTS	25
14. PRESSER FOOT COMPONENTS	27
15. LUBRICATION MECHANISM COMPONENTS	29
16. NEEDLE COOLER UNIT COMPONENTS.....	31
17. THREAD STAND COMPONENTS (FOR MO-6804S)	33
18. THREAD STAND COMPONENTS (FOR MO-6814S)	35
19. THREAD STAND COMPONENTS (FOR MO-6816S)	37
20. THREAD STAND COMPONENTS (FOR MO-6843S)	39
21. SEMI-SUNKEN TYPE TABLE COMPONENTS	41
22. FULLY-SUNKEN TYPE TABLE COMPONENTS	43
23. ACCESSORIES PARTS COMPONENTS.....	45
24. PSC UNIT.....	47
25. TAPE INSERTION COMPONENTS.....	49
26. 30P COMPONENTS	51
27. 60H COMPONENTS.....	53
28. MO-6800S GAUGE TABLE.....	55
29. MO-6800S GAUGE TABLE PRESSER FOOT COMPONENTS (1)	57
30. MO-6800S GAUGE TABLE PRESSER FOOT COMPONENTS (2)	59
31. MO-6800S GAUGE TABLE PRESSER FOOT COMPONENTS (3)	61
32. AUTOMATIC HAND LIFTER COMPONENTS.....	63
33. THREAD TRIMMER COMPONENTS	65
34. DUST COLLECTOR	67
35. MO-6845 COMPONENTS.....	69
36. LIST FOR INFORMATION OF CHANGE.....	71
NUMERICAL INDEX OF PARTS.....	72

1. MISCELLANEOUS COVER COMPONENTS (1)



REF.NO	NOTE	PART NO	DESCRIPTION	Qty
1		700-00363	WASHER	4
2		700-00365	WASHER	4
3		401-59534	RUBBER PLUG	1
4		401-72525	COVER	1
5		700-00443	METAL FOAM GASKET	1
6		*****	NAME PLATE	1
7		700-00515	E_SCREW	1
8		700-00522	E_SCREW	1
9		700-00529	E_SCREW	1
10		700-00543	E_SCREW	4
11		700-00544	E_SCREW	4
12		700-00550	E_SCREW	3
13		700-00586	M_SCREW	1
14		700-00659	PIN	1
15		700-00670	PIN	1
16		700-00671	PIN	1
17		700-00672	PIN	1
18		700-00753	RIVET	2
19		700-00754	DUCT	2
20		700-00515	E_SCREW	2
21		700-00515	E_SCREW	4
22		700-00529	E_SCREW	1
23		402-35212	SIDE_COVER	1
24		401-59532	METAL FOAM GASKET	1
25		401-59533	COVER	1
26		401-59537	RUBBER PLUG COMB.	1
27		401-59538	RUBBER PLUG	(1)
28		401-59539	FELT	(1)
29		401-59540	RUBBER PLUG COVER	(1)
30	#01	402-35213	RUBBER PLUG	1
31	#01	402-35214	RUBBER PLUG	1
32		402-35250	STUD	2
		NOTE	#01....FOR O4S,14S	

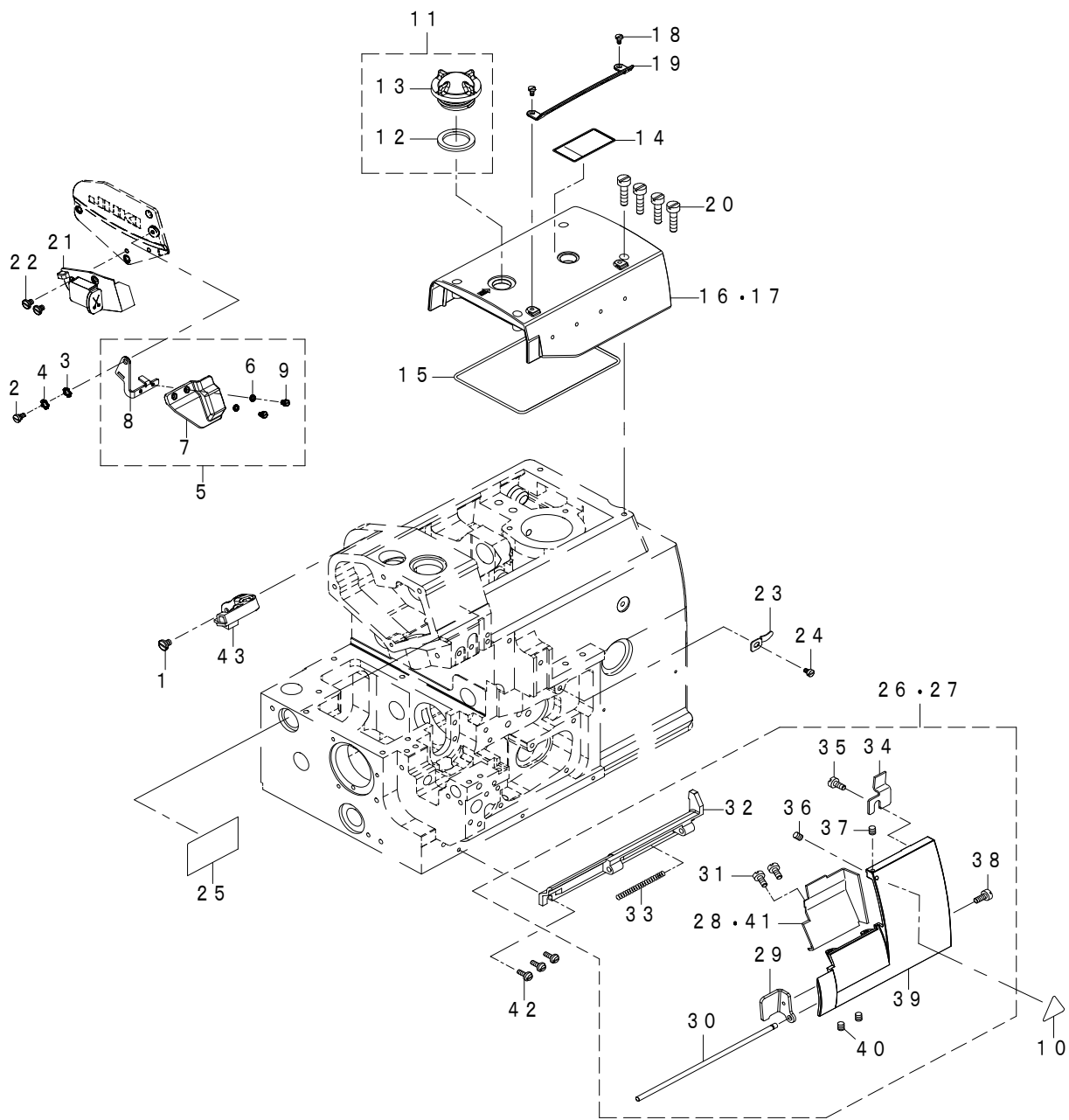
2. MISCELLANEOUS COVER COMPONENTS (2)



REF.NO	NOTE	PART NO	DESCRIPTION	Qty
1		402-49787	FABRIC_PLATE_COVER_COMB.	1
2		402-49788	WASHER	(2)
3		402-49789	M_SCREW	(2)
4		700-00490	RUBBER PLUG	(1)
5		700-00334	FIXED SEAT	(1)
6		401-59562	WASHER	(1)
7		401-59563	M_SCREW	(1)
8		402-55783	SIDE COVER	(1)
9		402-49790	FABRIC_PLATE_COVER	(1)
10		401-59564	LEVER	(1)
11		401-59565	SPRING	(1)
12		700-00528	E_SCREW	(1)
13		401-59558	BUSHING	(1)
14		401-59559	WASHER	(1)
15		401-59560	WASHER	(1)
16		700-00577	M_SCREW	(1)
17		402-49791	M_SCREW	(2)
18		402-49792	CLOTH_EDGE_SENSOR_F	(1)
19		402-49793	CLOTH_EDGE_SENSOR_M	(1)
20		402-49794	WASHER	(1)
21		402-49795	M_SCREW	(1)
22		402-55784	SAFETY_SENSOR	(1)
23		402-49797	CABLE_CLIP	(1)
24		402-55785	SAFETY_SENSOR_BRACKET	(1)
25		402-55786	M_SCREW	(2)
26	#01	402-49798	CLOTH_EDGE_SENSOR_R	1
27	#01	402-49799	M_SCREW	2
28		402-49802	CABLE_CLIP	1
29		700-00518	E_SCREW	1
30		700-00576	M_SCREW	1
31		401-59551	LABEL (GROUND_MARK)	1
32		700-00515	E_SCREW	1
33		401-59552	M_SCREW	1
34		401-59553	GUIDE PLATE	1
35		401-59554	OILER COVER	1
36		700-00516	E_SCREW	2
37		402-55787	SAFETY_SENSOR_PLATE	1
38		700-00453	NUT	1
39		700-00452	NUT	(1)
40		700-00563	E_SCREW	(1)
		NOTE	#01...FOR DD23	

3. MISCELLANEOUS COVER COMPONENTS (3)

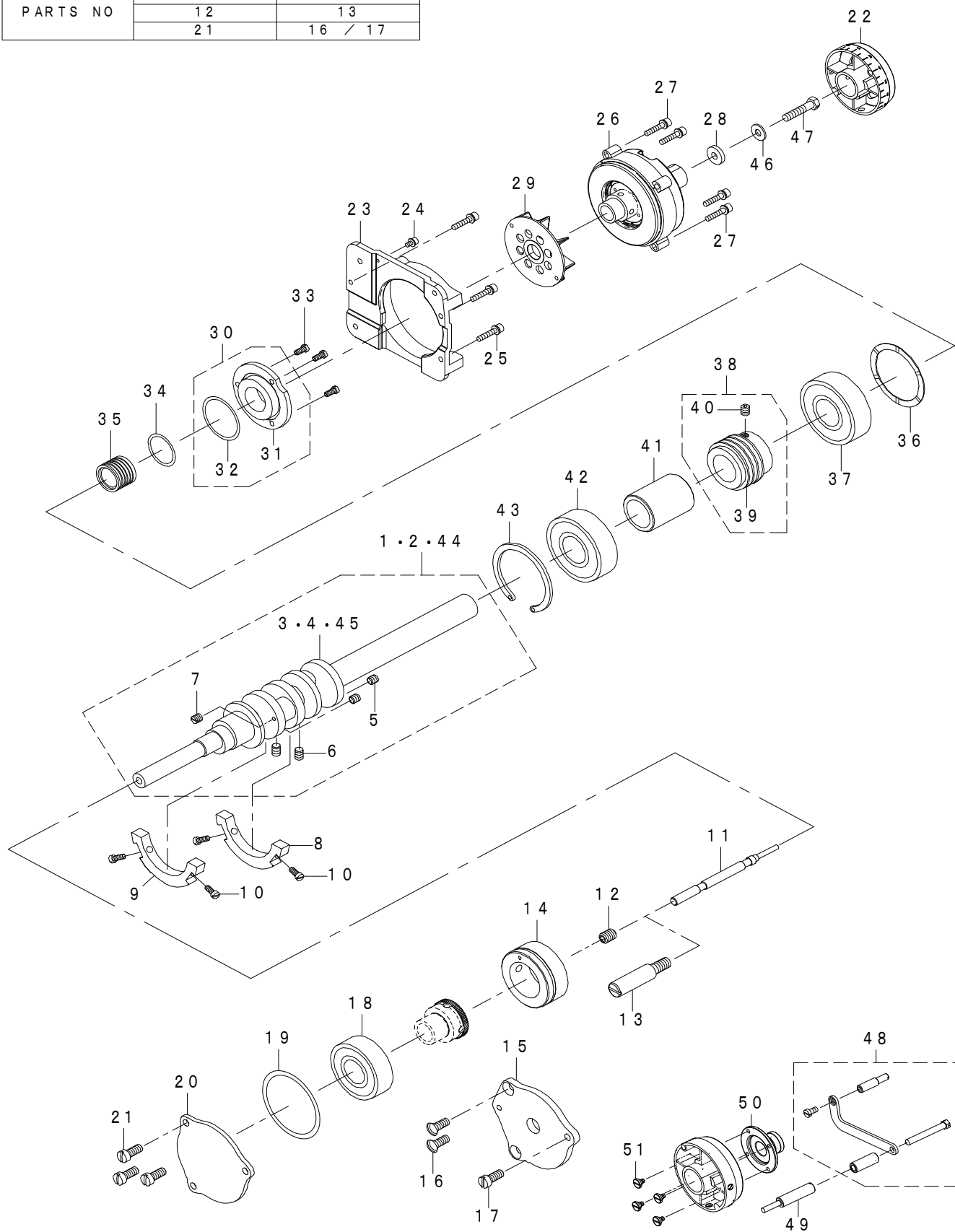
MODEL	04 S / 14 S	16 S / 43 S
PARTS NO	28	41
	26	27



REF.NO	NOTE	PART NO	DESCRIPTION	Qty
1		700-00518	E_SCREW	1
2		401-59573	M_SCREW	1
3		401-59572	WASHER	1
4		401-59572	WASHER	1
5		402-49803	SAFETY_PLATE_COMB.	1
6		401-59576	WASHER	(2)
7		401-59575	SAFETY_PLATE	(1)
8		402-49804	SAFETY_PLATE_BRACKET	(1)
9		700-00908	M_SCREW	(2)
10		700-00736	LABEL	1
11		401-59579	OIL_LEVEL_INSPECTION_LENS_COMB.	1
12		700-00136	GASKET	(1)
13		401-59578	OIL_LEVEL_INSPECTION_LENS	(1)
14		700-00161	LABEL	1
15		700-00222	O-RING	1
16		402-35215	TOP_COVER	1
17	#01	402-35216	TOP_COVER_(43_SIZE)	1
18		401-59580	E_SCREW	2
19		401-59581	THREAD_GUIDE_PLATE	1
20		700-00563	E_SCREW	4
21		402-49805	THREAD_TRIMMER_SWITCH	1
22		402-35218	E_SCREW	2
23		700-00745	GUIDE_PLATE	1
24		700-00555	E_SCREW	1
25		*****	EMBLEM	1
26	#02	401-59585	FRONT_COVER_COMB.	1
27	#03	401-59593	FRONT_COVER_COMB.	1
28	#02	700-00481	FRONT_COVER	(1)
29		700-00660	PIN	(1)
30		401-59590	SHAFT	(1)
31		700-00577	M_SCREW	(2)
32		401-59586	FIXED_SEAT	(1)
33		401-59587	SPRING	(1)
34		700-00744	RETAINING_CLIP	(1)
35		700-00577	M_SCREW	(1)
36		700-00570	M_SCREW	(1)
37		700-00569	M_SCREW	(1)
38		401-59591	E_SCREW	(1)
39		401-59592	FRONT_COVER	(1)
40		700-00573	M_SCREW	(2)
41	#03	700-00820	FRONT_COVER	1
42		401-59589	E_SCREW	3
43		402-35219	LED_CORD_BASE	1
		NOTE	#01....FOR 43S #02....FOR 04S,14S #03....FOR 16S,43S	

4. CRANKSHAFT COMPONENTS

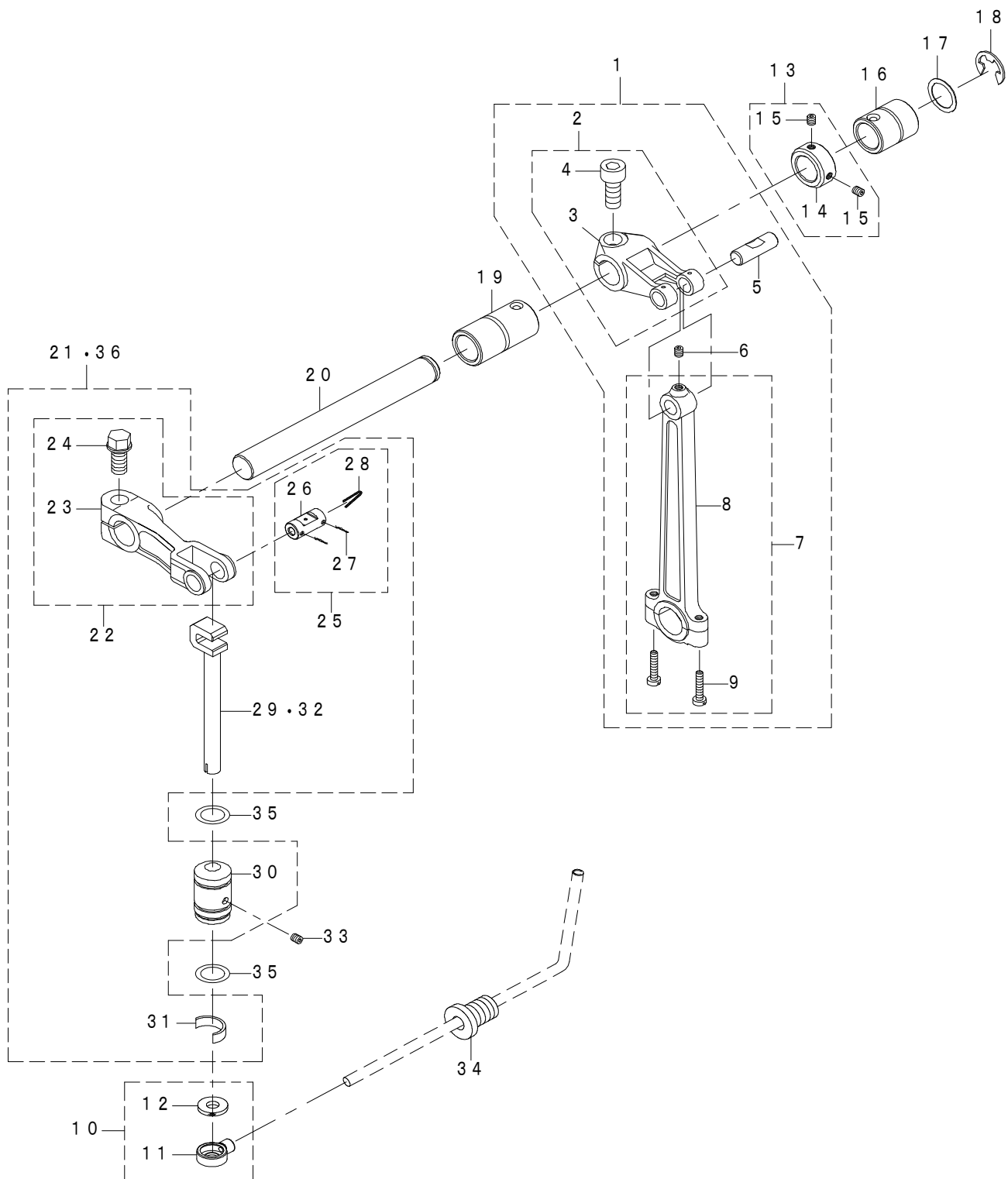
MODEL	04 S / 14 S	16 S / 43 S
PARTS NO	20	15
	12	13
	21	16 / 17



REF.NO	NOTE	PART NO	DESCRIPTION	Qty
1		401-59606	MAIN SHAFT COMB.	1
2	#01	401-59607	MAIN SHAFT COMB. (HIGH TYPE)	1
3		401-59604	MAIN SHAFT	(1)
4	#01	401-59605	MAIN SHAFT (HIGH TYPE)	(1)
5		700-00565	E_SCREW	(2)
6		700-00564	E_SCREW	(2)
7		700-00565	E_SCREW	(1)
8		700-00619	BALANCE BLOCK	1
9		700-00620	BALANCE BLOCK	1
10		700-00535	E_SCREW	4
11		700-00737	SHAFT	1
12	#02	401-59608	M_SCREW	1
13	#03	700-00460	FASTENER PIN	1
14		700-00130	BUSHING	1
15	#03	700-00701	BEARING COVER	1
16	#03	700-00554	E_SCREW	2
17	#03	700-00562	E_SCREW	1
18		700-00694	BEARING	1
19		700-00145	O-RING	1
20	#02	700-00700	BEARING COVER	1
21	#02	700-00508	E_SCREW	3
22		402-35226	HAND WHEEL COMB.	1
23		402-35220	DD_MOTOR_BASE	1
24		402-35222	M_SCREW	1
25		700-00520	E_SCREW	3
26		402-35223	DD_MOTOR	1
27		402-35224	M_SCREW	4
28		402-35225	WASHER	1
29		402-35221	FAN_BLADE	1
30		700-00431	SIDE COVER COMB.	1
31		700-00430	SIDE COVER	(1)
32		700-00145	O-RING	(1)
33		700-00521	E_SCREW	3
34		700-00143	O-RING	1
35		700-00149	WORM WHEEL	1
36		700-00699	WASHER	1
37		700-00695	BEARING	1
38		700-00259	WORM WHEEL	1
39		700-00257	WORM WHEEL	(1)
40		700-00522	E_SCREW	(1)
41		700-00314	SHAFT	1
42		700-00696	BEARING	1
43		700-00449	STOP RING	1
44	#04	401-64012	MAIN SHAFT COMB.(30P)	1
45	#04	401-64011	MAIN SHAFT (30P)	(1)
46		700-00612	WASHER	1
47		401-59603	M_SCREW	1
48	* #05	400-25294	SYNCHRONIZER STOPPER ASM.	1
49	* #05	402-66430	SYNCHRONIZER_STUD	1
50	* #05	402-66429	SYNCHRONIZER_FLAMGE	1
51	* #05	SD-0600266-TP	SHOULDER SCREW D=6 H=2.6	4

NOTE
#01....FOR 14S-40H,14S-44H,16S-50H
#02....FOR 04S,14S
#03....FOR 16S,43S
#04....FOR 30P
#05....OPTIONAL PARTS

5. NEEDLE DRIVING SHAFT COMPONENTS

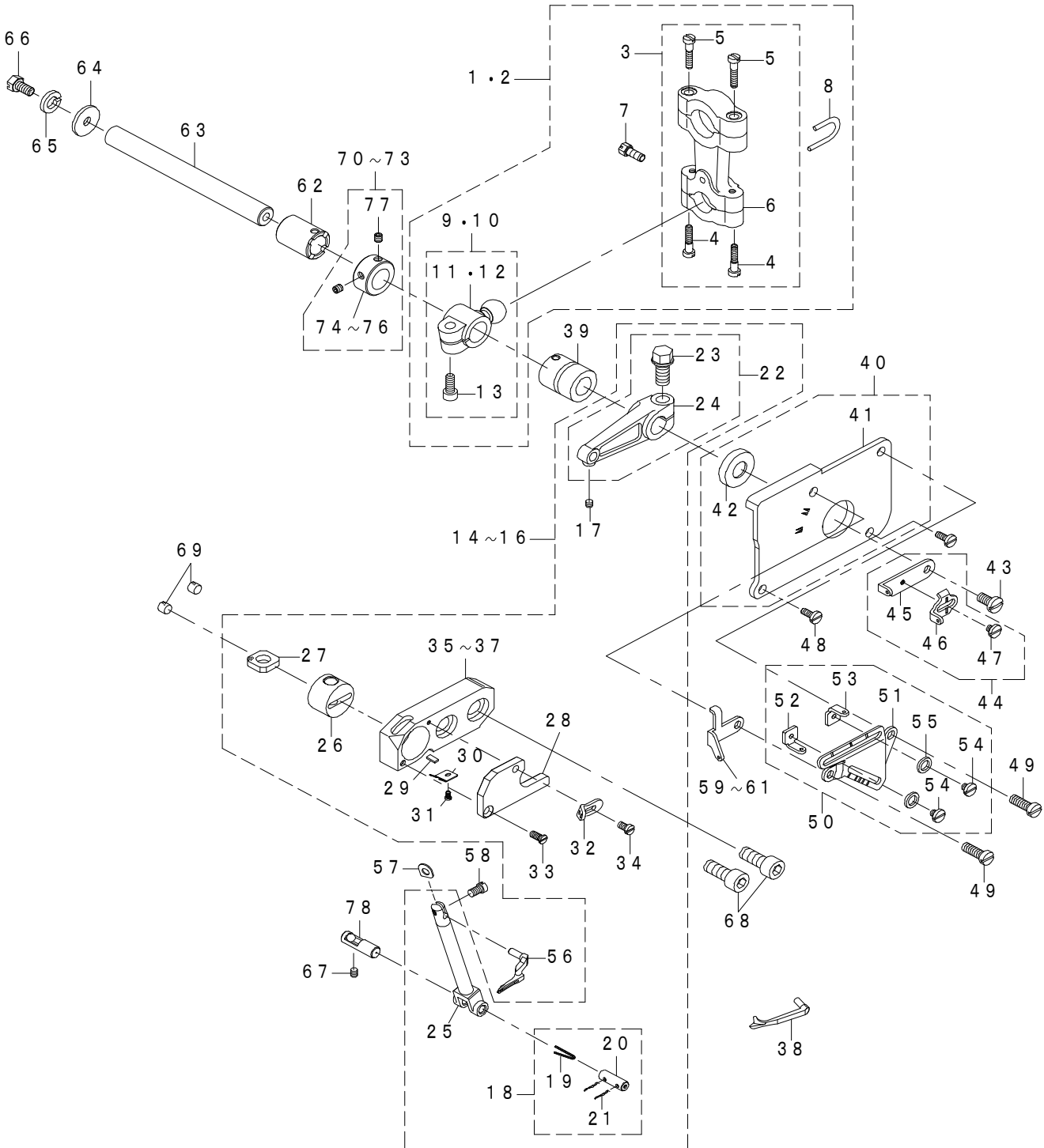


REF.NO	NOTE	PART NO	DESCRIPTION	Qty
1		401-59615	SHAFT COMB.	1
2		700-00643	SHAFT	(1)
3		700-00640	NEEDLE BAR ROCKER	(1)
4		700-00588	M_SCREW	(1)
5		700-00646	PIN	(1)
6		700-00522	E_SCREW	(1)
7		401-59618	CONNECTING ROD COMB.	(1)
8		401-59617	CONNECTING ROD	(1)
9		700-00578	M_SCREW	(2)
10		700-00267	OIL FELT	1
11		700-00266	PLUG	(1)
12		700-00677	OIL FELT	(1)
13		700-00437	COLLAR	1
14		700-00432	COLLAR	(1)
15		700-00522	E_SCREW	(2)
16		700-00637	BUSHING	1
17		700-00362	WASHER	1
18		700-00134	E_CIRCLIPS	1
19		700-00639	BUSHING	1
20		700-00635	ARBOR	1
21		401-59619	NEEDLE BAR COMB.	1
22		700-00633	CONNECTING ROD COMB.	(1)
23		700-00632	CONNECTING ROD	(1)
24		700-00593	M_SCREW	(1)
25		700-00638	SHAFT COMB.	(1)
26		700-00636	SHAFT	(1)
27		700-00728	OIL YARN	(2)
28		700-00729	OIL WICK	(1)
29		700-00654	NEEDLE BAR	(1)
30		401-59620	BUSHING	(1)
31		700-00676	OIL FELT	(1)
32	#01	401-59658	NEEDLE BAR (44H)	(1)
33		700-00503	E_SCREW	1
34		700-00445	PLUG	1
35		700-00141	O-RING	2
36	#01	401-59623	NEEDLE BAR COMB.(44H)	1
		NOTE	#01....FOR 14S-44H	

REF.NO	NOTE	PART NO	DESCRIPTION	Qty
1	#09	401-59645	THREAD GUIDE PLATE	1
2	#06	700-00513	E. SCREW	1
3	#02	700-00173	FIXED PLATE COMB.	1
4	#03	700-00832	FIXED PLATE COMB.	1
5	#02	700-00822	THREAD GUIDE PLATE	(1)
6	#03	401-59650	THREAD GUIDE PLATE	(1)
7		700-00164	FIXED PLATE	(1)
8	#06	700-00498	E. SCREW	(1)
9	#06	700-00549	E. SCREW	(1)
10	#07	401-59646	THREAD GUIDE PLATE	1
11	#04	700-00174	FIXED PLATE COMB.	1
12	#05	700-00833	FIXED SEAT COMB.	1
13	#08	700-00171	FIXED SEAT	(1)
14	#08	700-00559	E. SCREW	(1)
15	#08	700-00498	E. SCREW	(2)
16	#04	401-59647	THREAD GUIDE PLATE	(1)
17	#05	401-59651	THREAD GUIDE PLATE	(1)
18		401-59648	THREAD GUIDE PLATE	(1)
19		700-00169	FIXED BLOCK	(1)
20	#08	700-00513	E. SCREW	2
21	#08	700-00555	E. SCREW	1
22		700-00168	THREAD GUIDE PLATE	1
23		700-00629	CATCHER	1
24		700-00653	CRAMP	(1)
25		700-00652	CRAMP	(1)
26		700-00572	M. SCREW	(1)
27		401-59629	M. SCREW	(1)
28		700-00598	SPRING	(1)
29		700-00626	THREAD GRIP	(1)
30		700-00627	THREAD GRIP	(1)
31	#01	*****	NEEDLE CLAMP	1
32	#01	*****	NEEDLE CLAMP	(1)
33	#01	*****	NEEDLE CLAMP	(1)
34	#06	700-00498	E. SCREW	(2)
35	#06	700-00567	M. SCREW	(1)
36	#08	700-00831	M. SCREW	(1)
37	#03	700-00828	THREAD CROSSING	(1)
38	#02	700-00828	THREAD CROSSING	(1)
39	#04	401-72527	THREAD CROSSING	(1)
40	#01	*****	NEEDLE	2
41	#01	*****	NEEDLE	1
42	#01	*****	NEEDLE	3
43		700-00550	E. SCREW	2
44	#06	700-00469	NEEDLE GUARD	1
45	#08	700-00827	NEEDLE GUARD	1
46		700-00555	E. SCREW	1
47	#06	700-00887	OILER	1
48	#08	401-59652	OILER	1
49		700-00849	OILER COVER	(1)
50		700-00847	OILER	(1)
51	#06	700-00848	OIL FELT	(1)
52	#08	700-00885	OIL FELT	(1)
53	#03	401-59630	THREAD TAKE-UP LEVER	1
54	#02	401-59653	THREAD TAKE-UP LEVER	1
55	#04	401-59654	THREAD TAKE-UP LEVER	1
56	#05	401-59655	THREAD TAKE-UP LEVER	1
57		700-00505	E. SCREW	2
58		402-49806	NEEDLE PLATE BRACKET COMB.	1
59		700-00704	RUBBER PLUG	(2)
60		402-49807	NEEDLE PLATE BRACKET	(1)
61		700-00516	E. SCREW	2
62	#01	*****	THROAT PLATE	1
63	#06	700-00850	THREAD GUIDE PLATE	1
64	#08	401-59649	THREAD GUIDE PLATE	1
65		401-59625	E. SCREW	1
66		700-00337	FIXED SEAT COMB.	1
67		700-00336	NEEDLE GUARD	(1)
68		700-00497	E. SCREW	(2)
69		700-00630	NEEDLE GUARD	(1)
70		700-00335	NEEDLE GUARD	1
71		700-00526	E. SCREW	2
72		700-00497	E. SCREW	2
73		700-00550	E. SCREW	2
74		401-59627	NEEDLE PLATE BRACKET	1
75		401-59631	THREAD GUIDE PLATE	11
76		401-59644	THREAD GUIDE PLATE	1
77		401-59640	THREAD TENSION COMB.(R)	3
78		401-59632	THREAD TENSION SHAFT	(1)
79		401-59634	SLEEVE	(1)
80		700-00211	SPRING	(1)
81		401-59636	FIXED RING	(1)
82		401-78548	THREAD TENSION KNOB.(R)	(1)
83		401-59633	THREAD TENSION RUBBER WASHER	12
84		700-00203	THREAD GRIP	24
85		700-00213	OIL FELT	12
86		700-00513	E. SCREW	1
87		401-59641	THREAD TENSION COMB.(Y)	3
88		401-59632	THREAD TENSION SHAFT	(1)
89		401-59634	SLEEVE	(1)
90		401-59624	SPRING	(1)
91		401-59636	FIXED RING	(1)
92		401-78550	THREAD TENSION KNOB.(Y)	(1)
93		401-59642	THREAD TENSION COMB.	2
94		401-59632	THREAD TENSION SHAFT	(1)
95		401-59634	SLEEVE	(1)
96		401-59624	SPRING	(1)
97		401-59636	FIXED RING	(1)
98		401-78549	THREAD TENSION KNOB.(G)	(1)
99		401-59642	THREAD TENSION COMB.(G)	1
100		401-59656	THREAD TENSION COMB.(G1)	1
101	#10	401-59632	THREAD TENSION SHAFT	(1)
102		401-59634	SLEEVE	(1)
103		401-59624	SPRING	(1)
104		401-59657	SPRING	(1)
105	#10	401-59636	FIXED RING	(1)
106		401-78549	THREAD TENSION KNOB.(G)	(1)
107		401-59643	THREAD TENSION COMB.(Y1)	3
108		401-78550	THREAD TENSION KNOB.(Y)	(1)
109		401-59632	THREAD TENSION SHAFT	(1)
110		401-59634	SLEEVE	(1)
111		700-00211	SPRING	(1)
112		401-59636	FIXED RING	(1)
113	#11	401-64056	THREAD TAKE-UP LEVER	1
NOTE			#01...REFER 'MO-6800S GAUGE TABLE'	
			#02...FOR 04S	
			#03...FOR 14S	
			#04...FOR 16S	
			#05...FOR 43S	
			#06...FOR 04S,14S	
			#07...FOR 04S,16S	
			#08...FOR 16S,43S	
			#09...FOR 14S,43S	
			#10...FOR 14S-44H,16S-50H	
			#11...FOR 14S-30P	

7. UPPER LOOPER COMPONENTS

MODEL	04S/16S	14S/43S	14S-44H	16S-50H
PARTS NO	73	72	70	71 + 72
	12	11	11	12
	10	9	9	10
	2	1	1	2
	35	36	37	35
	59		60	61
	14	15	16	14
	75	76	74	76



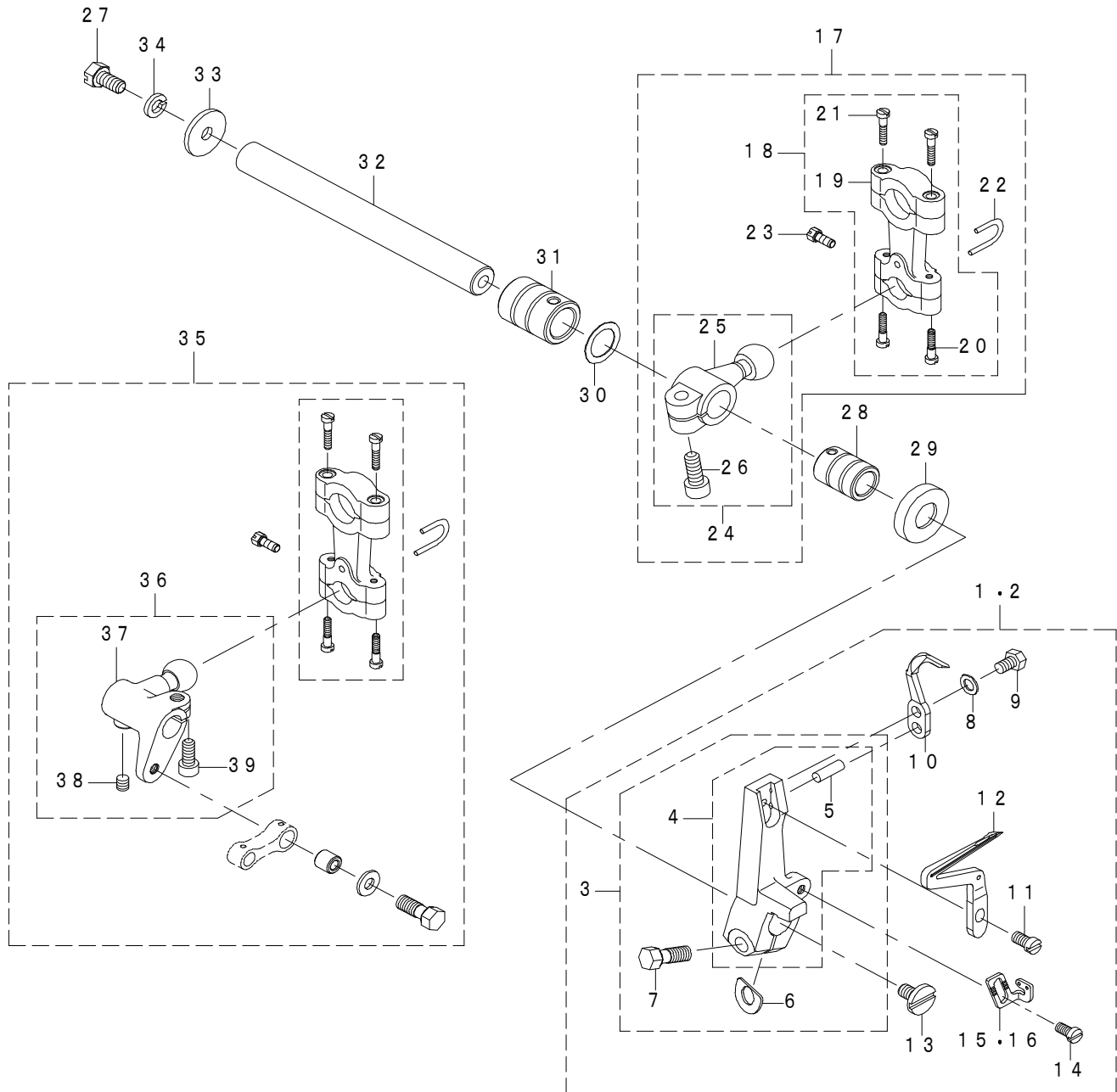
REF.NO	NOTE	PART NO	DESCRIPTION	Qty
1	#07	401-59686	BALL CONNECTING ROD COMB.	1
2	#08	401-59687	BALL CONNECTING ROD COMB.	1
3		401-79596	CONNECTING ROD	(1)
4		401-79597	E SCREW	(2)
5		401-79597	E SCREW	(2)
6		401-78084	BALL CONNECTING ROD	(1)
7		700-00545	E SCREW	(1)
8		401-59684	FIXED JAW	(1)
9	#07	700-00254	BALL CONNECTING ROD COMB.	(1)
10	#08	401-59678	BALL CONNECTING ROD COMB.	(1)
11	#07	700-00253	BALL CONNECTING ROD	(1)
12	#08	700-00834	BALL CONNECTING ROD	(1)
13		700-00590	M SCREW	(1)
14	#01	401-59675	CONNECTING ROD SEAT COMB.	1
15	#02	401-59681	CONNECTING ROD SEAT COMB.	1
16	#03	401-59682	CONNECTING ROD SEAT COMB.	1
17		700-00498	E SCREW	(1)
18		700-00251	LOOPER CONNECTING ROD PIN COMB.	(1)
19		700-00729	OIL WICK	(1)
20		700-00661	PIN	(1)
21		700-00728	OIL YARN	(2)
22		700-00240	CONNECTING ROD COMB.	(1)
23		700-00593	M SCREW	(1)
24		700-00239	CONNECTING ROD	(1)
25		401-72535	LOOPER CONNECTING ROD	(1)
26		700-00241	LOOPER GUIDE SHAFT	(1)
27		700-00678	OIL WICK	(1)
28		700-00243	FIXED PLATE	(1)
29		401-59671	OIL FELT	(1)
30		401-59672	FELT COVER	(1)
31		700-00538	E SCREW	(1)
32		700-00193	THREAD CROSSING	(1)
33		700-00560	E SCREW	(1)
34		401-59674	E SCREW	(1)
35	#08	401-59673	CONNECTING ROD SEAT	(1)
36	#02	401-59679	CONNECTING ROD SEAT	(1)
37	#03	401-59680	CONNECTING ROD SEAT	(1)
38	#10	401-76583	LOOPER	1
39		700-00248	BUSHING	1
40		700-00749	COVER	1
41		700-00748	COVER	(1)
42		700-00268	OIL SEAL	(1)
43		700-00515	E SCREW	1
44		700-00202	THREAD CROSSING COMB.	1
45		700-00197	THREAD CROSSING	(1)
46		700-00198	THREAD CROSSING	(1)
47		700-00501	E SCREW	(1)
48		700-00521	E SCREW	2
49		700-00521	E SCREW	2
50		700-00201	GRADUATED PLATE COMB.	1
51		700-00194	FIXED PLATE	(1)
52		700-00200	THREAD CROSSING	(1)
53		700-00195	THREAD CROSSING	(1)
54		700-00501	E SCREW	(2)
55		700-00350	WASHER	(2)
56	#09	*****	LOOPER	1
57		401-59670	WASHER	1
58		700-00504	E SCREW	1
59	#05	700-00196	THREAD CROSSING	1
60	#03	700-00812	THREAD GUIDE	1
61	#04	401-59683	THREAD GUIDE	1
62		700-00247	BUSHING	1
63		700-00246	ARBOR COMB.	1
64		700-00342	GASKET	1
65		700-00613	WASHER	1
66		700-00517	E SCREW	1
67		700-00522	E SCREW	1
68		700-00587	M SCREW	2
69		700-00679	OIL WICK	2
70	#03	401-59666	COLLAR COMB.	1
71	#04	700-00807	COLLAR COMB.	1
72	#06	401-59676	COLLAR COMB.	1
73	#01	401-59677	COLLAR COMB.	1
74	#03	401-59665	COLLAR	(1)
75	#01	401-77859	COLLAR	(1)
76	#06	401-59715	COLLAR	(1)
77		700-00522	E SCREW	(2)
78		401-59667	OIL TUBE	1

NOTE

#01....FOR 04S,16S
#02....FOR 14S,43S
#03....FOR 14S,44H
#04....FOR 16S,50H
#05....FOR 04S,14S,16S,43S
#06....FOR 14S,43S,16S,50H
#07....FOR 14S,43S,14S,44H
#08....FOR 04S,16S,16S,50H
#09....REFER "MO-6800S GAUGE TABLE"
#10....OPTIONAL PARTS

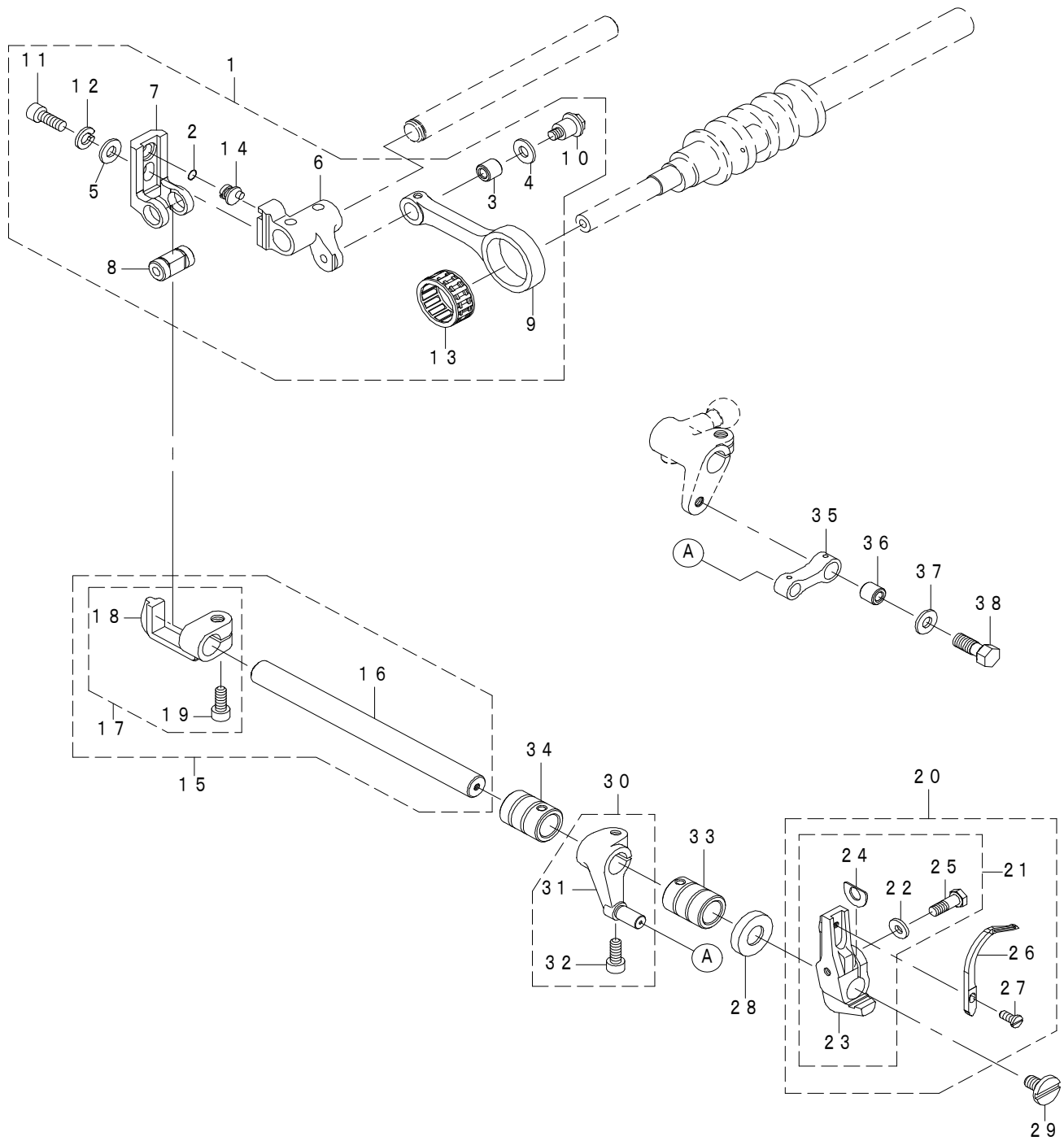
8. LOWER LOOPER COMPONENTS

MODEL	04 S / 14 S	16 S / 43 S	16 S - 50 H
PARTS NO	15		16
	1		2
	25	37	
		38	
	24	36	
	17	35	



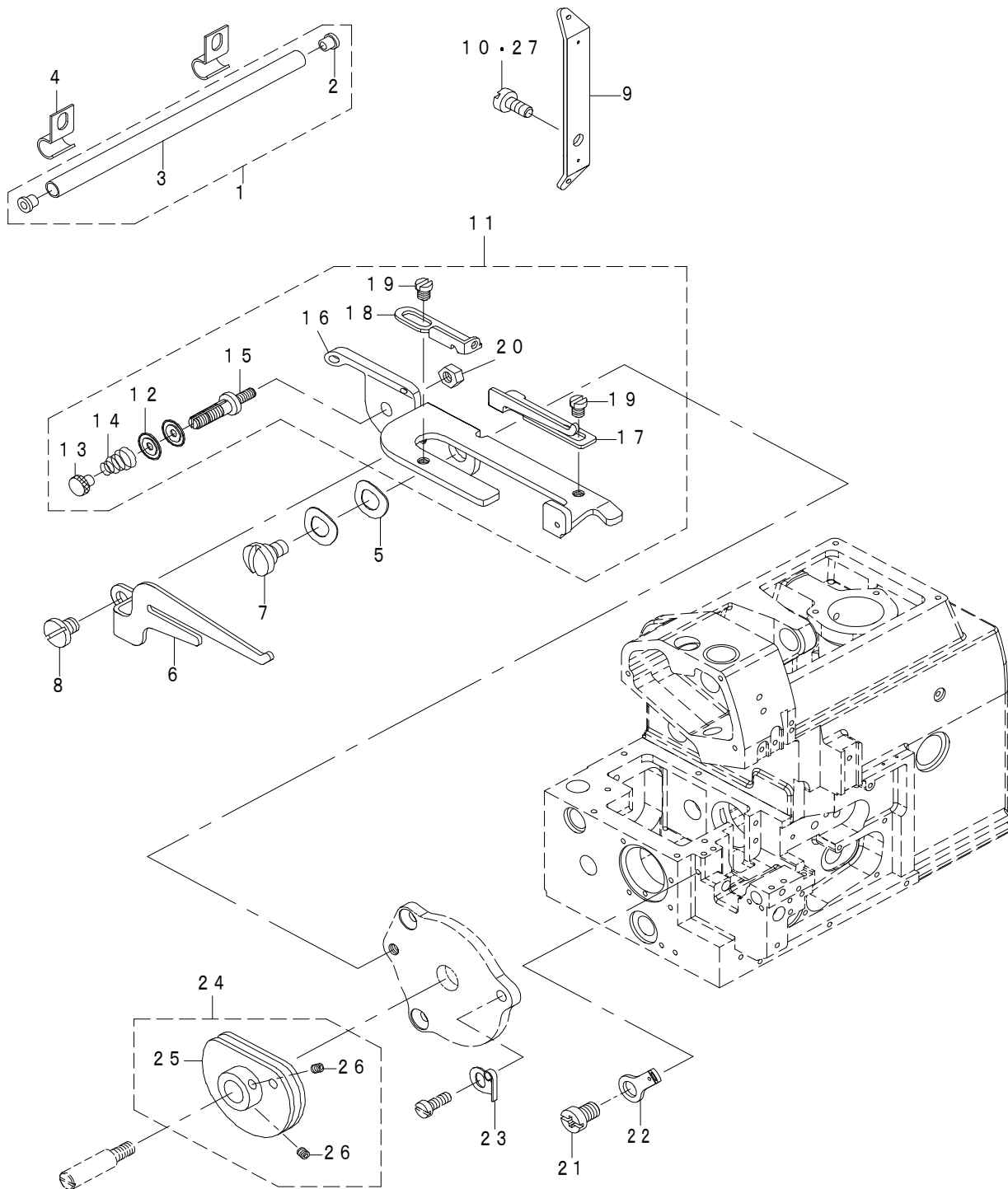
REF.NO	NOTE	PART NO	DESCRIPTION	Qty
1	#04	401-59692	LOOPER HOLDER COMB.	1
2	#03	401-59694	LOOPER HOLDER COMB.	1
3		700-00407	LOOPER HOLDER	(1)
4		700-00406	LOOPER HOLDER	(1)
5		700-00667	PIN	(1)
6		700-00380	GASKET	(1)
7		700-00531	E_SCREW	(1)
8		700-00751	WASHER	(1)
9		700-00511	E_SCREW	(1)
10		700-00175	EJECTOR PLATE	(1)
11		700-00505	E_SCREW	(1)
12		700-00405	LOOPER	(1)
13		700-00525	E_SCREW	(1)
14		700-00506	E_SCREW	(1)
15	#04	700-00199	THREAD GUIDE PLATE	(1)
16	#03	401-59693	THREAD GUIDE PLATE	(1)
17	#01	401-59689	BALL CONNECTING ROD COMB.	1
18		401-79596	CONNECTING ROD	(1)
19		401-78084	BALL CONNECTING ROD	(1)
20		401-79597	E_SCREW	(2)
21		401-79597	E_SCREW	(2)
22		401-59684	FIXED JAW	(1)
23		700-00545	E_SCREW	(1)
24	#01	700-00415	BALL CONNECTING ROD	(1)
25	#01	700-00413	BALL CONNECTING ROD	(1)
26		700-00590	M_SCREW	(1)
27		700-00517	E_SCREW	1
28		700-00410	BUSHING	1
29		700-00270	OIL SEAL	1
30		700-00752	WASHER	1
31		700-00410	BUSHING	1
32		700-00409	ARBOR	1
33		700-00343	GASKET	1
34		700-00614	WASHER	1
35	#02	401-59690	BALL CONNECTING ROD COMB.	1
36	#02	700-00416	BALL CONNECTING ROD	(1)
37	#02	700-00414	BALL CONNECTING ROD	(1)
38	#02	700-00522	E_SCREW	(1)
39		700-00590	M_SCREW	(1)
		NOTE	#01....FOR 04S,14S #02....FOR 16S,43S #03....FOR 16-50H #04....FOR 04S,14S,16S,43S	

9. CHAIN LOOPER COMPONENTS (1)



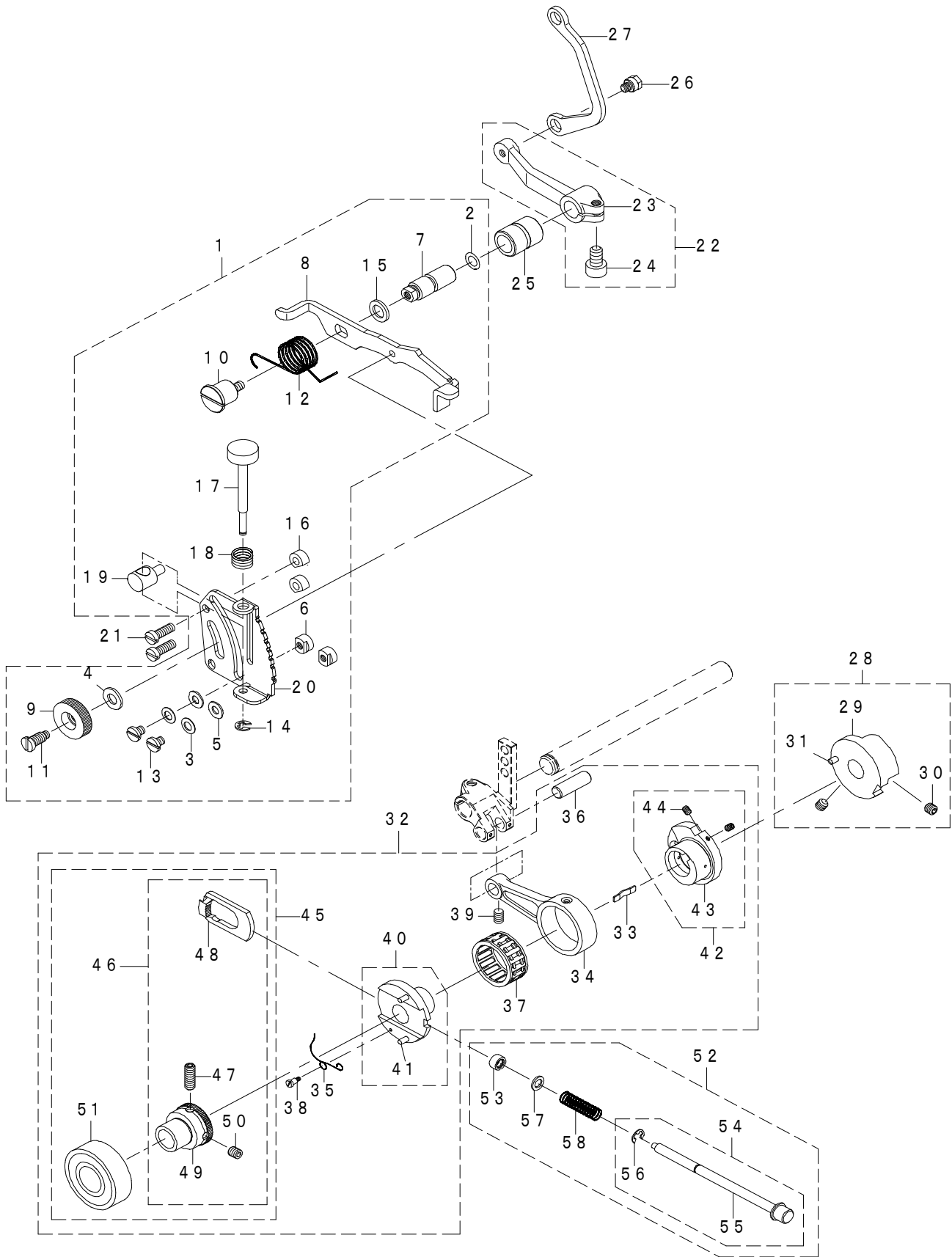
REF.NO	NOTE	PART NO	DESCRIPTION	Qty
1		700-00479	CONNECTING ROD COMB.	1
2		700-00139	O-RING	(1)
3		700-00317	BUSHING	(1)
4		700-00346	GASKET	(1)
5		700-00357	WASHER	(1)
6		700-00463	ADJUSTING SEAT	(1)
7		700-00464	ADJUSTING SEAT	(1)
8		700-00467	SHAFT	(1)
9		700-00478	CONNECTING ROD	(1)
10		700-00514	E_SCREW	(1)
11		700-00561	E_SCREW	(1)
12		700-00616	WASHER	(1)
13		700-00697	BEARING	(1)
14		700-00703	ECCENTRIC	(1)
15		700-00465	SLIDE BLOCK GUIDE	1
16		700-00461	SHAFT	(1)
17		700-00466	SLIDE BLOCK GUIDE	(1)
18		700-00462	SLIDE BLOCK GUIDE	(1)
19		700-00590	M_SCREW	(1)
20		700-00475	LOOPER COMB.	1
21		700-00476	LOOPER HOLDER	(1)
22		700-00351	WASHER	(1)
23		700-00474	LOOPER HOLDER	(1)
24		700-00380	GASKET	(1)
25		700-00531	E_SCREW	(1)
26		700-00473	LOOPER	(1)
27		700-00508	E_SCREW	(1)
28		700-00270	OIL SEAL	1
29		700-00525	SCREW	1
30		700-00471	LOOPER CONNECTING ROD	1
31		700-00470	LOOPER CONNECTING ROD	(1)
32		700-00590	M_SCREW	(1)
33		700-00477	BUSHING	1
34		700-00410	BUSHING	1
35		700-00472	CONNECTING ROD	1
36		700-00317	BUSHING	1
37		700-00346	GASKET	1
38		700-00514	E_SCREW	1

10. CHAIN LOOPER COMPONENTS (2)



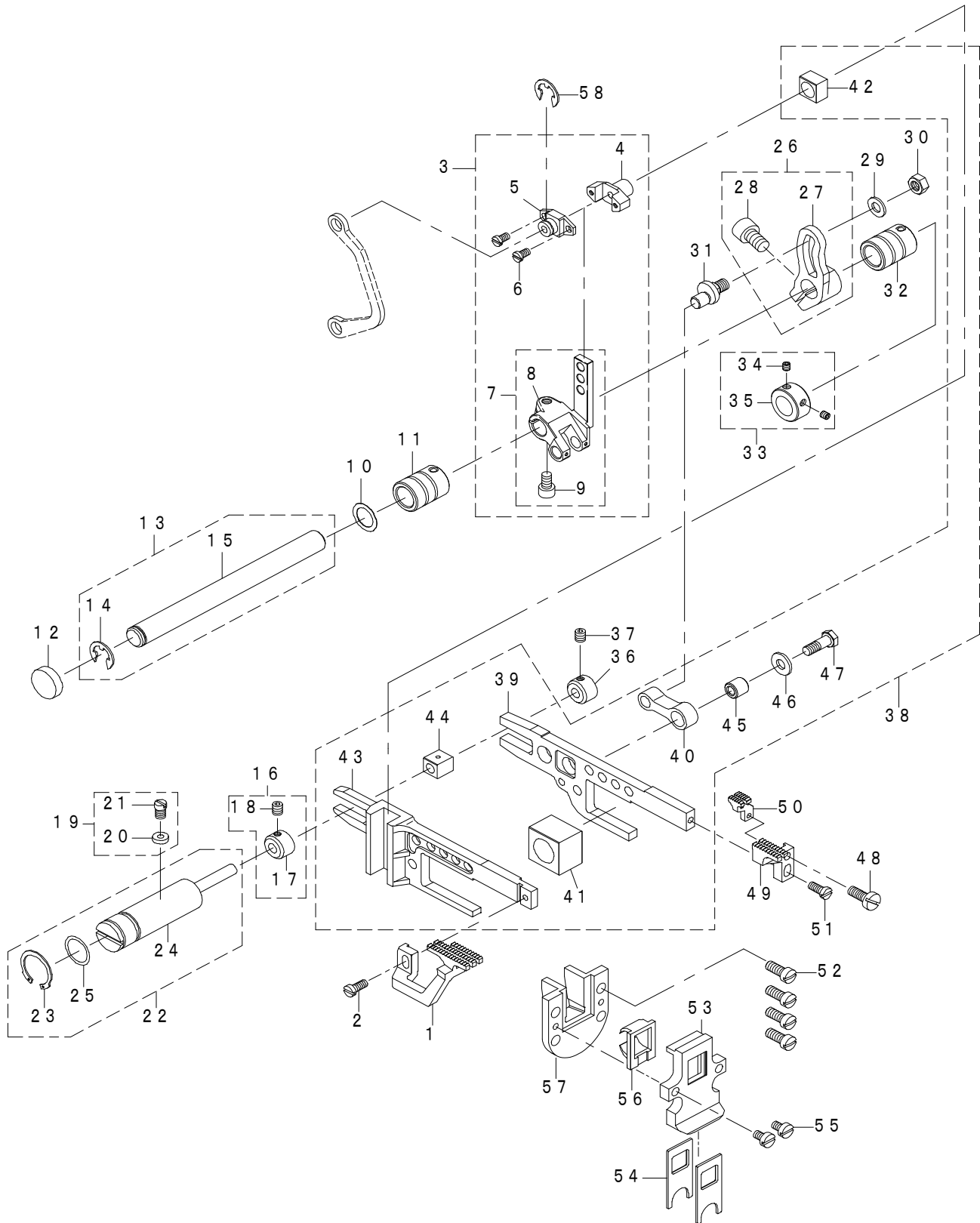
REF.NO	NOTE	PART NO	DESCRIPTION	Qty
1		700-00397	DUCT COMB.	1
2		700-00172	PLUG	(2)
3		700-00396	DUCT	(1)
4		700-00398	FIXED PLATE	2
5		700-00359	WASHER	2
6		700-00387	THREAD GUIDE PLATE	1
7		700-00519	E_SCREW	1
8		700-00576	M_SCREW	1
9		700-00384	THREAD CROSSING	1
10		700-00513	E_SCREW	1
11		700-00391	THREAD TAKE-UP DEVICE	1
12		700-00392	THREAD GRIP	(2)
13		700-00393	THREAD TENSION KNOB	(1)
14		700-00394	SPRING	(1)
15		700-00395	THREAD TENSION SHAFT	(1)
16		700-00388	BRACKET	(1)
17		700-00389	THREAD GUIDE PLATE	(1)
18		700-00390	THREAD GUIDE PLATE	(1)
19		700-00571	M_SCREW	(2)
20		700-00452	NUT	(1)
21		700-00557	E_SCREW	1
22		700-00383	THREAD GUIDE PLATE	1
23		700-00448	SPRING PLATE	1
24		700-00386	THREAD TENSION CAM	1
25		700-00385	THREAD TENSION CAM	(1)
26		700-00498	E_SCREW	(2)
27	* #01	700-00576	M_SCREW	1
		NOTE	#01....FOR DD23	

11. FEED MECHANISM COMPONENTS (1)



REF.NO	NOTE	PART NO	DESCRIPTION	Qty
1		401-59707	FEED DOG SEAT COMB.	1
2		700-00140	O-RING	(1)
3		700-00344	GASKET	(2)
4		700-00345	WASHER	(1)
5		700-00349	WASHER	(2)
6		700-00372	FIXED BLOCK	(2)
7		700-00373	ADJUSTING SEAT	(1)
8		700-00379	ADJUSTING PLATE	(1)
9		700-00450	NUT	(1)
10		700-00495	SCREW	(1)
11		700-00542	E_SCREW	(1)
12		700-00601	SPRING	(1)
13		700-00512	E_SCREW	(2)
14		700-00131	E_CIRCLIPS	(1)
15		700-00353	WASHER	(1)
16		401-59702	SPACER	(2)
17		401-59703	ADJUSTING SCREW	(1)
18		401-59704	SPRING	(1)
19		401-59705	BLOCK	(1)
20		401-59706	FEED DOG SEAT	(1)
21		700-00523	E_SCREW	2
22		700-00370	DIFFERENTIAL CONNECTING ROD ASM.	1
23		700-00369	DIFFERENTIAL CONNECTING ROD	(1)
24		700-00590	M_SCREW	(1)
25		401-59700	BUSHING	1
26		700-00552	E_SCREW	1
27		401-59701	CONNECTING ROD	1
28		700-00276	ADJUSTING WHEEL	1
29		700-00275	ADJUSTING WHEEL	(1)
30		700-00582	M_SCREW	(2)
31		700-00666	PIN	(1)
32		401-59709	CONNECTING ROD COMB.	1
33		700-00162	SPRING PLATE	(1)
34		700-00277	CONNECTING ROD	(1)
35		700-00602	SPRING	(1)
36		700-00662	PIN	(1)
37		700-00698	BEARING	(1)
38		401-59629	M_SCREW	(1)
39		700-00503	E_SCREW	(1)
40		700-00282	ECCENTRIC	(1)
41		700-00665	PIN	(2)
42		700-00289	ECCENTRIC	(1)
43		700-00288	ECCENTRIC	(1)
44		700-00502	E_SCREW	(2)
45		700-00741	ADJUSTING WHEEL COMB.	(1)
46		700-00740	ADJUSTING WHEEL	(1)
47		700-00583	M_SCREW	(1)
48		700-00738	SLIDE BLOCK	(1)
49		700-00739	ADJUSTING WHEEL	(1)
50		700-00582	M_SCREW	(1)
51		700-00694	BEARING	(1)
52		700-00284	SHAFT COMB.	1
53		700-00137	O-RING	(1)
54		700-00286	SHAFT	(1)
55		700-00283	SHAFT	(1)
56		700-00131	E_CIRCLIPS	(1)
57		700-00358	WASHER	(1)
58		700-00600	SPRING	(1)

12. FEED MECHANISM COMPONENTS (2)

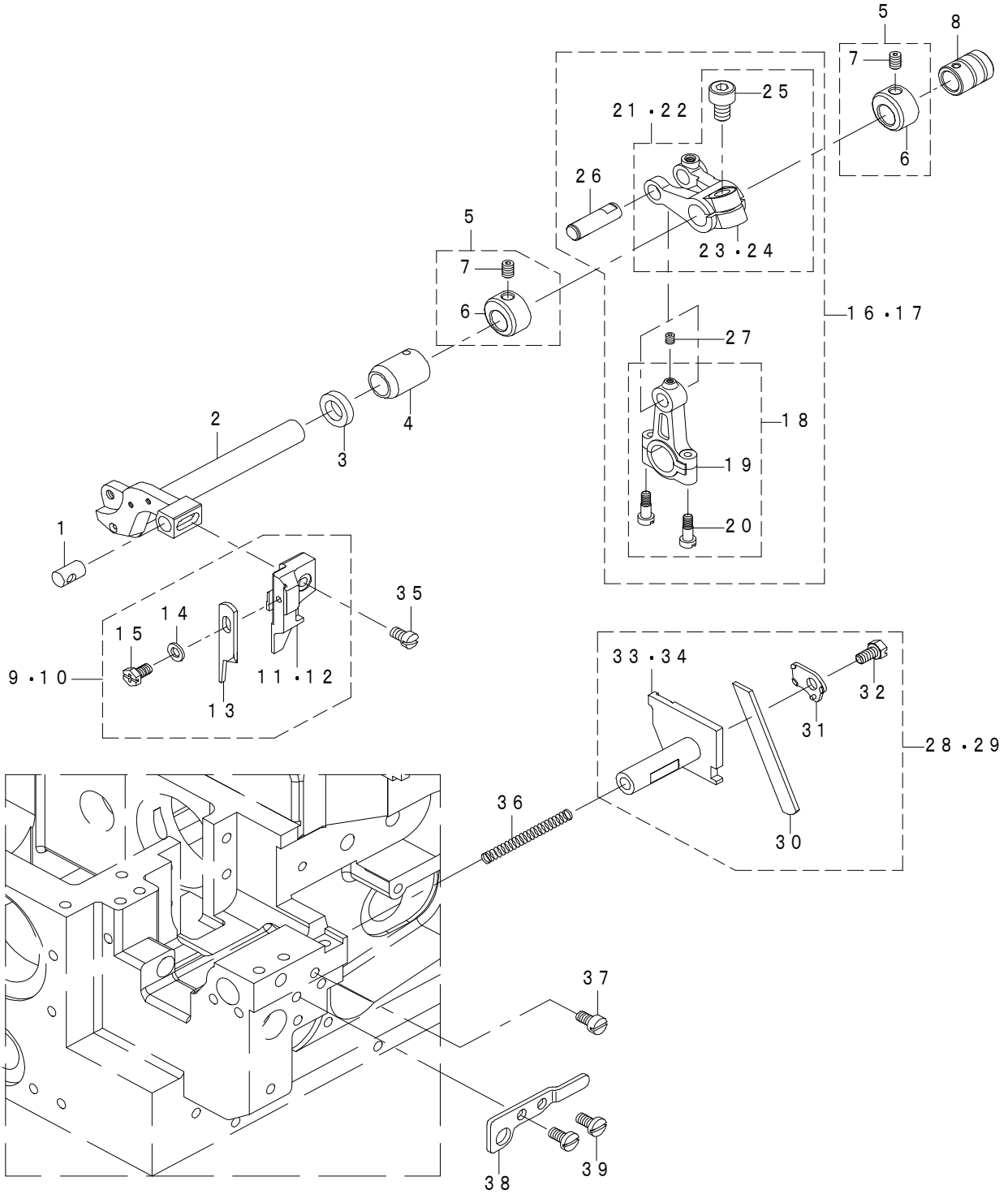


REF.NO	NOTE	PART NO	DESCRIPTION	Qty
1	#01	*****	FEED DOG	1
2		700-00509	E_SCREW	1
3		700-00683	CRANK COMB.	1
4		700-00374	ROCKING SEAT	(1)
5		700-00375	ROCKING SEAT	(1)
6		700-00558	E_SCREW	(2)
7		700-00684	CRANK	(1)
8		700-00681	CRANK	(1)
9		700-00590	M_SCREW	(1)
10		700-00361	WASHER	1
11		700-00280	BUSHING	1
12		700-00446	OIL SEAL	1
13		401-59717	ECCENTRIC SHAFT COMB.	1
14		700-00133	E_CIRCLIPS	(1)
15		401-59716	ECCENTRIC SHAFT	(1)
16		700-00435	COLLAR	1
17		700-00433	COLLAR	(1)
18		700-00522	E_SCREW	(1)
19		700-00147	OIL SEAL COMB.	1
20		700-00138	OIL SEAL	(1)
21		700-00548	E_SCREW	(1)
22		700-00734	ECCENTRIC SHAFT	1
23		700-00135	E_CIRCLIPS	(1)
24		700-00733	ECCENTRIC SHAFT	(1)
25		700-00141	O-RING	(1)
26		700-00685	CRANK	1
27		700-00682	CRANK	(1)
28		700-00590	M_SCREW	(1)
29		700-00356	WASHER	1
30		700-00458	NUT	1
31		700-00688	ADJUSTING SHAFT	1
32		700-00410	BUSHING	1
33		401-59676	COLLAR	1
34		700-00522	E_SCREW	(2)
35		401-59715	COLLAR	(1)
36		700-00433	COLLAR	1
37		700-00522	E_SCREW	1
38		700-00731	FEED DOG SEAT COMB.	1
39		700-00422	FEED DOG SEAT	(1)
40		700-00423	CONNECTING ROD	(1)
41		700-00429	SLIDE BLOCK	(1)
42		700-00686	SLIDE BLOCK	(1)
43		700-00689	FEED DOG SEAT	(1)
44		700-00732	SLIDE BLOCK	(1)
45		700-00317	BUSHING	(1)
46		700-00346	GASKET	(1)
47		700-00514	E_SCREW	(1)
48		700-00572	M_SCREW	1
49	#01	*****	FEED DOG	1
50	#01	*****	FEED DOG	1
51		700-00509	E_SCREW	1
52		700-00530	E_SCREW	4
53		700-00151	OIL SCRAPER HOLDER	1
54		700-00152	OIL SEAL	2
55		700-00508	E_SCREW	2
56		401-59718	OIL SEAL	1
57		401-59719	SLIDE BLOCK	1
58		700-00132	E_CIRCLIPS	1

NOTE #01....REFER "MO-6800S GAUGE TABLE"

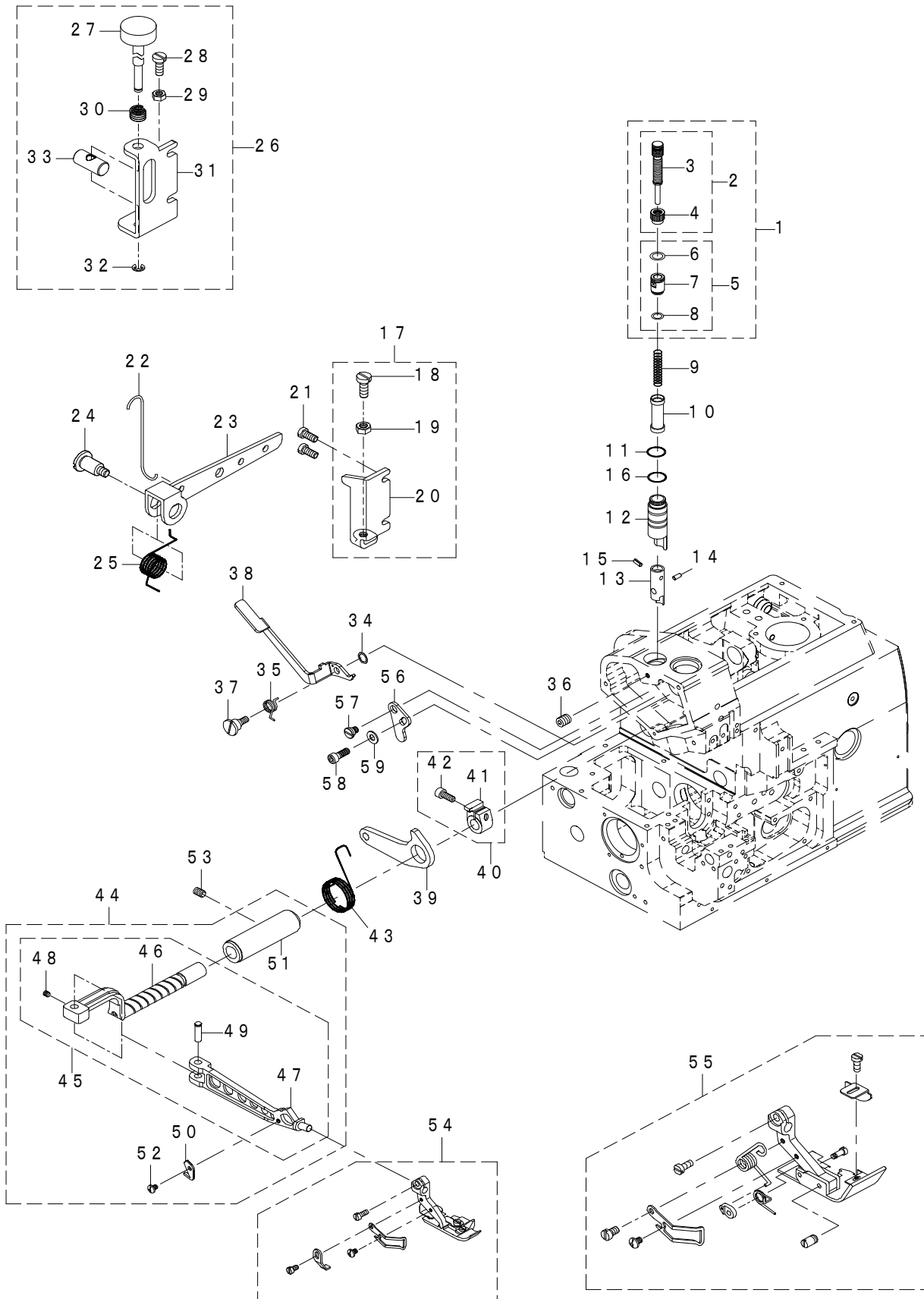
13. KNIFE COMPONENTS

MODEL	04 S / 14 S	16 S / 43 S
PARTS NO	23	24
	21	22
	16	17
	11	12
	9	10
	33	34
	28	29



REF.NO	NOTE	PART NO	DESCRIPTION	Qty
1		700-00230	SHAFT	1
2		700-00235	SWING AXLE	1
3		700-00269	OIL SEAL	1
4		700-00237	BUSHING	1
5		700-00436	COLLAR	2
6		700-00434	COLLAR	(2)
7		700-00522	E_SCREW	(2)
8		700-00236	BUSHING	1
9	#01	401-78003	KNIFE SEAT COMB.	1
10	#02	401-59734	KNIFE SEAT COMB	1
11	#01	401-72528	KNIFE SEAT	(1)
12	#02	401-72529	KNIFE SEAT	(1)
13		700-00229	KNIFE	(1)
14		700-00347	GASKET	(1)
15		700-00510	E_SCREW	(1)
16	#01	401-59729	CONNECTING ROD	1
17	#02	401-59732	CONNECTING ROD	1
18		401-59728	CONNECTING ROD	(1)
19		401-59727	CONNECTING ROD	(1)
20		700-00578	M_SCREW	(2)
21	#01	700-00721	ROCKING BAR	(1)
22	#02	700-00842	ROCKING BAR COMB.	(1)
23	#01	700-00720	ROCKING BAR	(1)
24	#02	700-00841	ROCKING BAR	(1)
25		700-00590	M_SCREW	(1)
26		401-59726	PIN	(1)
27		700-00522	E_SCREW	(1)
28	#01	700-00402	KNIFE SEAT COMB.	1
29	#02	700-00845	KNIFE SEAT COMB.	1
30		700-00399	KNIFE	(1)
31		700-00400	FIXED PLATE	(1)
32		700-00517	E_SCREW	(1)
33	#01	700-00403	KNIFE SEAT	(1)
34	#02	700-00813	KNIFE SEAT	(1)
35		700-00521	E_SCREW	1
36		700-00603	SPRING	1
37		700-00524	E_SCREW	1
38		700-00401	FIXED PLATE	1
39		700-00515	E_SCREW	2
	NOTE		#01....FOR 04S,14S #02....FOR 16S,43S	

14. PRESSER FOOT COMPONENTS

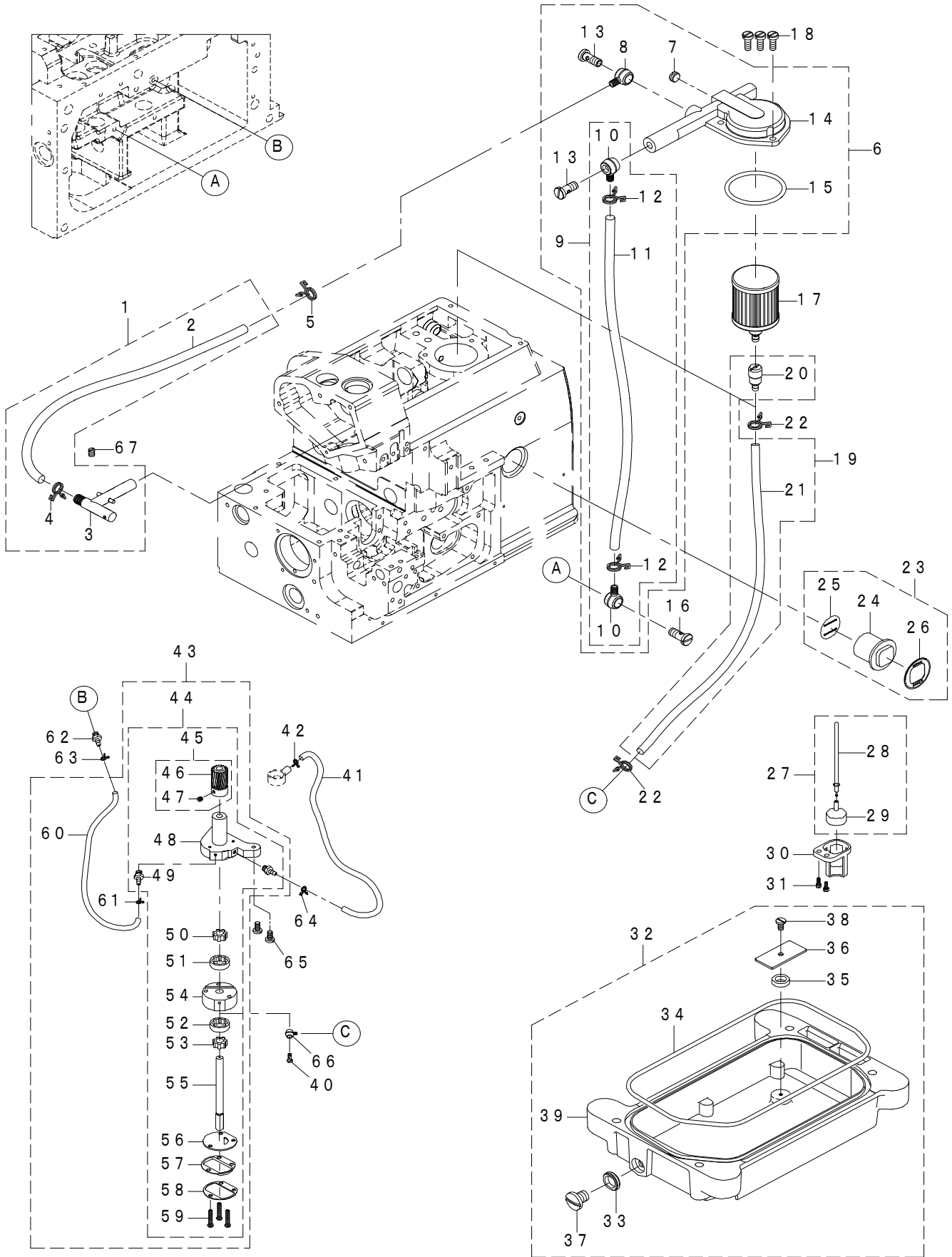


REF.NO	NOTE	PART NO	DESCRIPTION	Qty
1		401-59745	SCREW ROD COMB.	1
2		401-59746	SCREW ROD COMB.	(1)
3		401-59741	SCREW ROD	(1)
4		401-59742	NUT	(1)
5		401-59744	FIXED BUTTON	(1)
6		700-00141	O-RING	(1)
7		401-59743	FIXED BUTTON	(1)
8		700-00142	O-RING	(1)
9		700-00608	SPRING	1
10		401-59753	THIMBLE	1
11		700-00142	O-RING	1
12		401-70670	PRESSER FOOT ARM	1
13		700-00309	SLIDER	1
14		700-00664	SHAFT	1
15		700-00669	PIN	1
16		700-00141	O-RING	1
17		700-00293	SUPPORTER	1
18		700-00584	M_SCREW	(1)
19		700-00458	NUT	(1)
20		700-00292	STOPPER	(1)
21		700-00515	E_SCREW	2
22		700-00294	HOOK BAR	1
23		700-00295	PRESSER FOOT ARM	1
24		700-00592	M_SCREW	1
25		700-00604	SPRING	1
26	#01	401-59749	SUPPORTER	1
27		401-59703	ADJUSTING SCREW	(1)
28		700-00584	M_SCREW	(1)
29		700-00458	NUT	(1)
30		401-59704	SPRING	(1)
31		401-59748	STOPPER	(1)
32		700-00131	E_CIRCLIPS	(1)
33		401-59750	BLOCK	(1)
34		700-00355	WASHER	1
35		401-59754	SPRING	1
36		700-00522	E_SCREW	1
37		700-00528	E_SCREW	1
38		401-59752	LEVER	1
39		700-00291	DRAG LINK	1
40		700-00302	COLLAR	1
41		700-00301	COLLAR	(1)
42		401-59751	M_SCREW	(1)
43		700-00605	SPRING	1
44		401-78006	PRESSER FOOT SEAT COMB.	1
45		401-78007	PRESSER BAR COMB.	(1)
46		401-72530	PRESSER FOOT LIFTING LEVER	(1)
47		700-00297	PRESSER FOOT ARM	(1)
48		700-00566	M_SCREW	(1)
49		700-00673	SHAFT	(1)
50		700-00176	KNIFE	(1)
51		700-00303	BUSHING	(1)
52		700-00538	E_SCREW	(1)
53		700-00522	E_SCREW	1
54	#02	*****	PRESSER FOOT	1
55	#02	*****	PRESSER FOOT	1
56		401-72531	PRESSER ARM STOPPER	1
57		401-78005	E_SCREW	1
58		700-00561	E_SCREW	1
59		700-00349	WASHER	1

NOTE

#01....OPTIONAL PARTS
#02....REFER "MO-6800S GAUGE TABLE"

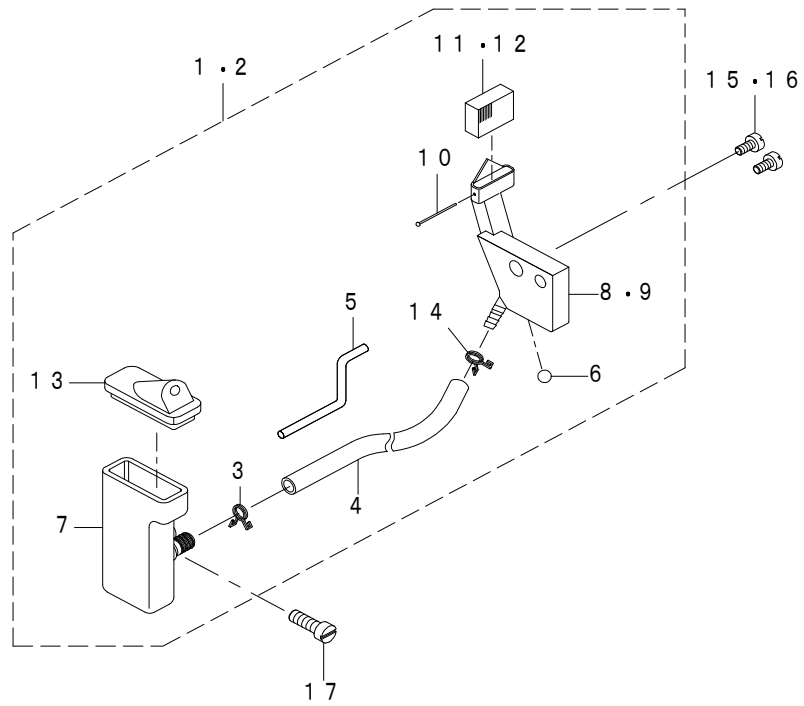
15. LUBRICATION MECHANISM COMPONENTS



REF.NO	NOTE	PART NO	DESCRIPTION	Qty
1		402-35227	OIL_TUBE_GROUP	1
2		402-35229	HOSE	(1)
3		700-00631	OIL TUBE	(1)
4		700-00658	SPRING CLAMP	(1)
5		700-00658	SPRING CLAMP	1
6		402-35230	OIL_FILTER_ASM.	1
7		402-35232	M_SCREW	(1)
8		401-59760	JOINT	(1)
9		402-35233	OIL_TUBE_GROUP	(1)
10		700-00323	JOINT	(2)
11		402-35234	HOSE	(1)
12		700-00658	SPRING CLAMP	(2)
13		700-00532	E_SCREW	(2)
14		402-35231	OIL_FILTER	(1)
15		700-00144	OIL_FILTER	(1)
16		700-00532	E_SCREW	1
17		700-00312	OIL FILTER	1
18		700-00520	E_SCREW	3
19		700-00328	OIL TUBE COMB.	1
20		700-00428	JOINT	(1)
21		700-00326	HOSE	(1)
22		700-00658	SPRING CLAMP	2
23		401-59762	OIL LEVEL INSPECTION LENS COMB.	1
24		700-00157	OIL LEVEL INSPECTION LENS	(1)
25		700-00158	NAME PLATE	(1)
26		401-59761	NAME PLATE	(1)
27		700-00160	OIL INDICATOR ROD COMB.	1
28		700-00159	OIL INDICATOR ROD	(1)
29		700-00261	OIL INDICATOR	(1)
30		700-00262	BAFFLE	1
31		700-00521	E_SCREW	2
32		401-59764	OIL RESERVOIR COMB.	1
33		700-00146	OIL SEAL	(1)
34		700-00273	O-RING	(1)
35		700-00381	MAGNET	(1)
36		700-00382	BAFFLE	(1)
37		700-00533	E_SCREW	(1)
38		700-00518	E_SCREW	(1)
39		401-59763	OIL RESERVOIR COMB.	(1)
40		700-00532	E_SCREW	1
41		700-00318	HOSE	1
42		700-00657	SPRING CLAMP	1
43		700-00716	PUMP COMB.	1
44		700-00715	PUMP COMB.	(1)
45		700-00260	GEAR	(1)
46		700-00258	WORM WHEEL	(1)
47		700-00582	M_SCREW	(1)
48		700-00713	PUMP BODY	(1)
49		700-00322	JOINT	(2)
50		401-59765	GEAR	(1)
51		700-00148	GEAR	(1)
52		700-00148	GEAR	(1)
53		401-59765	GEAR	(1)
54		700-00714	PUMP BODY	(1)
55		700-00712	SHAFT	(1)
56		700-00717	PUMP COVER	(1)
57		700-00710	FILTER NET	(1)
58		700-00711	GASKET	(1)
59		700-00575	M_SCREW	(3)
60		700-00324	HOSE	(1)
61		700-00657	SPRING CLAMP	(1)
62		700-00322	JOINT	1
63		700-00657	SPRING CLAMP	1
64		700-00657	SPRING CLAMP	1
65		700-00527	E_SCREW	2
66		700-00323	JOINT	1
67		700-00522	E_SCREW	1

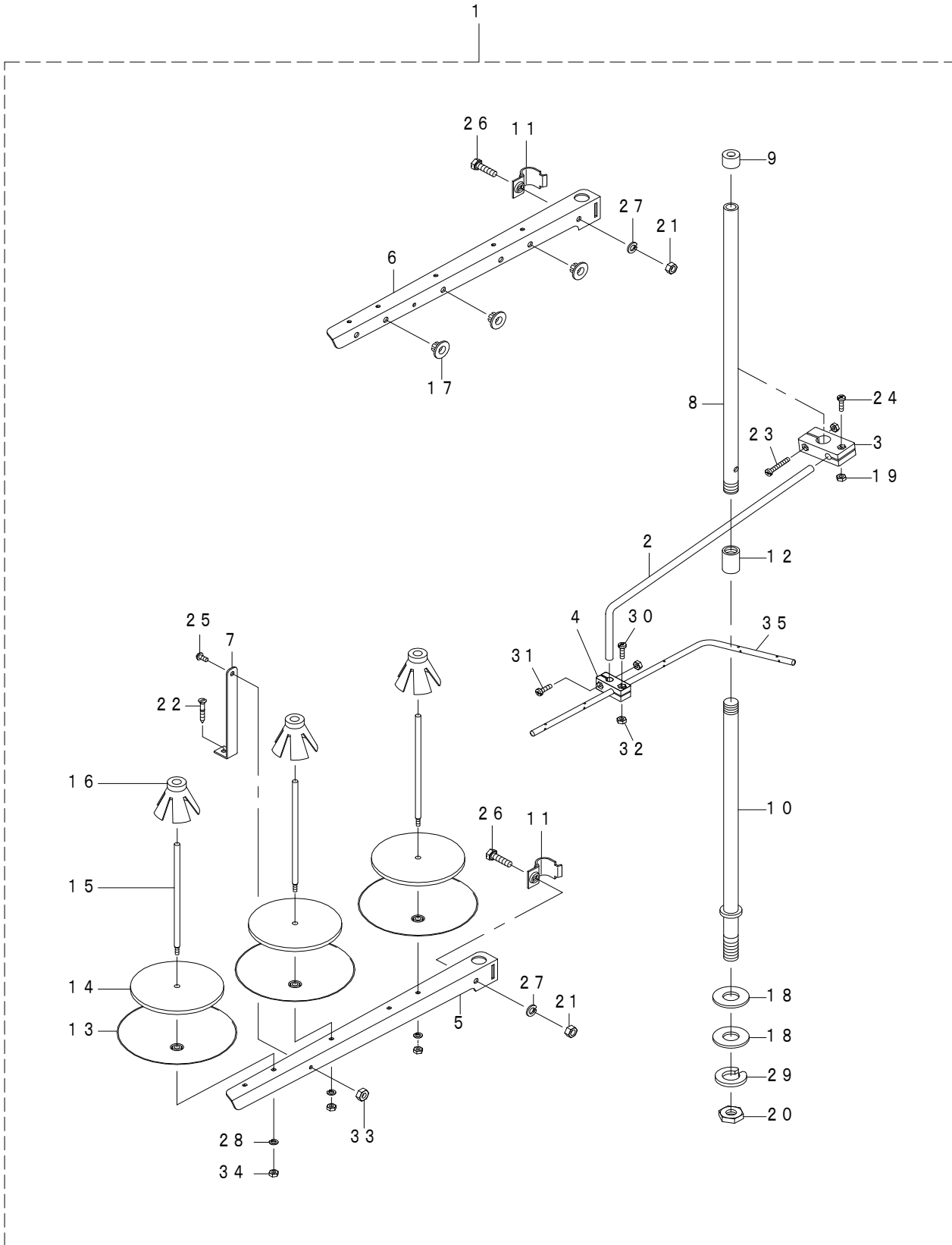
16. NEEDLE COOLER UNIT COMPONENTS

MODEL	0 4 S / 1 4 S	1 6 S / 4 3 S
PARTS NO	1 1	1 2
	8	9
	1	2
	1 5	1 6



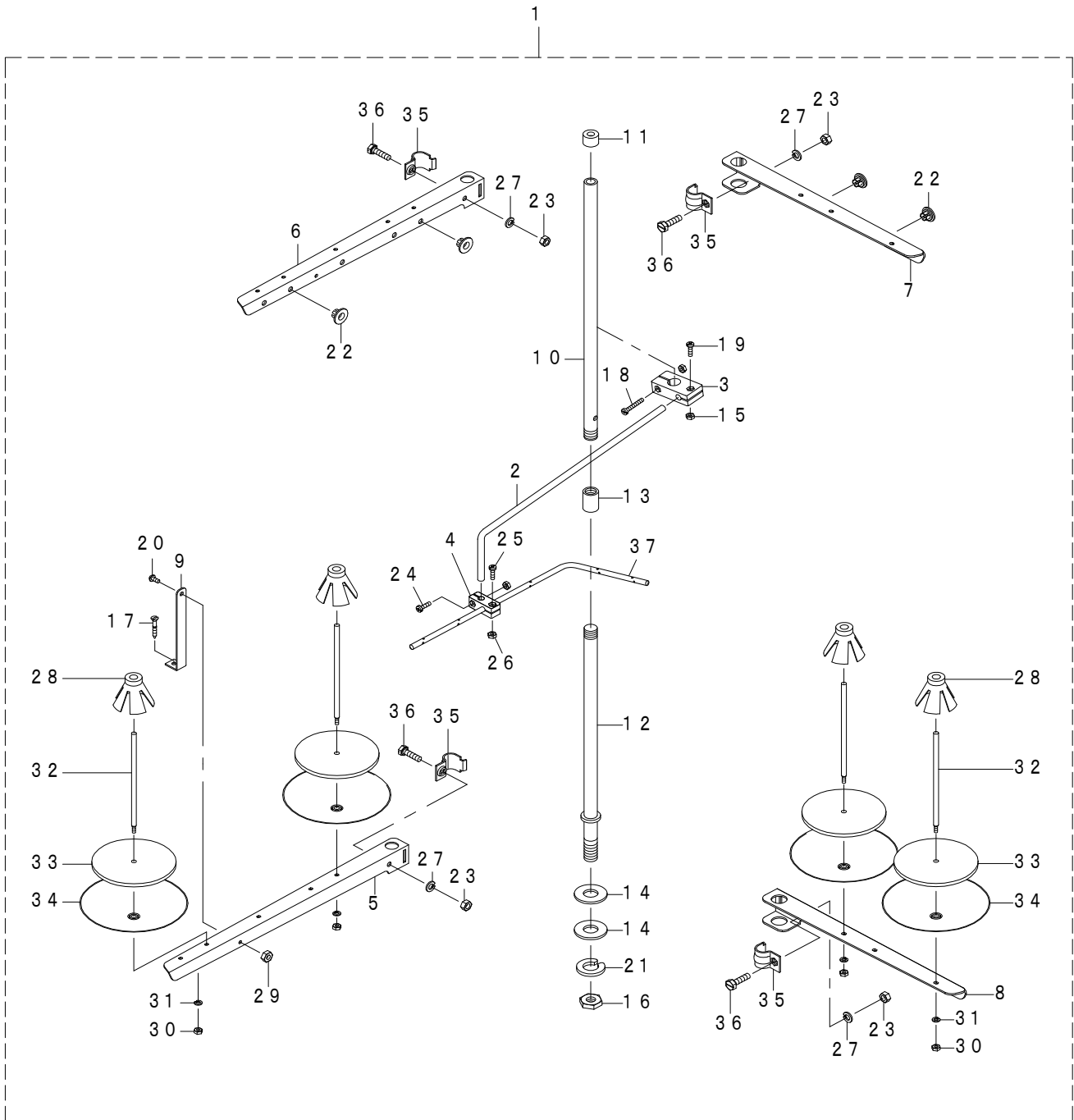
REF.NO	NOTE	PART NO	DESCRIPTION	Qty
1	#01	401-59772	OILER	1
2	#02	401-59775	OILER	1
3		700-00658	SPRING CLAMP	(1)
4		401-59768	HOSE	(1)
5		401-59769	OIL WICK	(1)
6		401-59770	BALL	(1)
7		401-59771	OILER	(1)
8	#01	401-59776	DIVIDING SEAT	(1)
9	#02	401-59774	DIVIDING SEAT	(1)
10		401-59778	NAIL	(1)
11	#01	401-59777	OIL FELT	(1)
12	#02	401-59773	OIL FELT	(1)
13		401-59779	OILER COVER	(1)
14		700-00658	SPRING CLAMP	(1)
15	#01	700-00526	E_SCREW	1
16	#02	700-01060	E_SCREW	2
17		402-35245	E_SCREW	1
		NOTE	#01.....FOR 04S,14S	
			#02.....FOR 16S,43S	

17. THREAD STAND COMPONENTS (FOR MO-6804S)



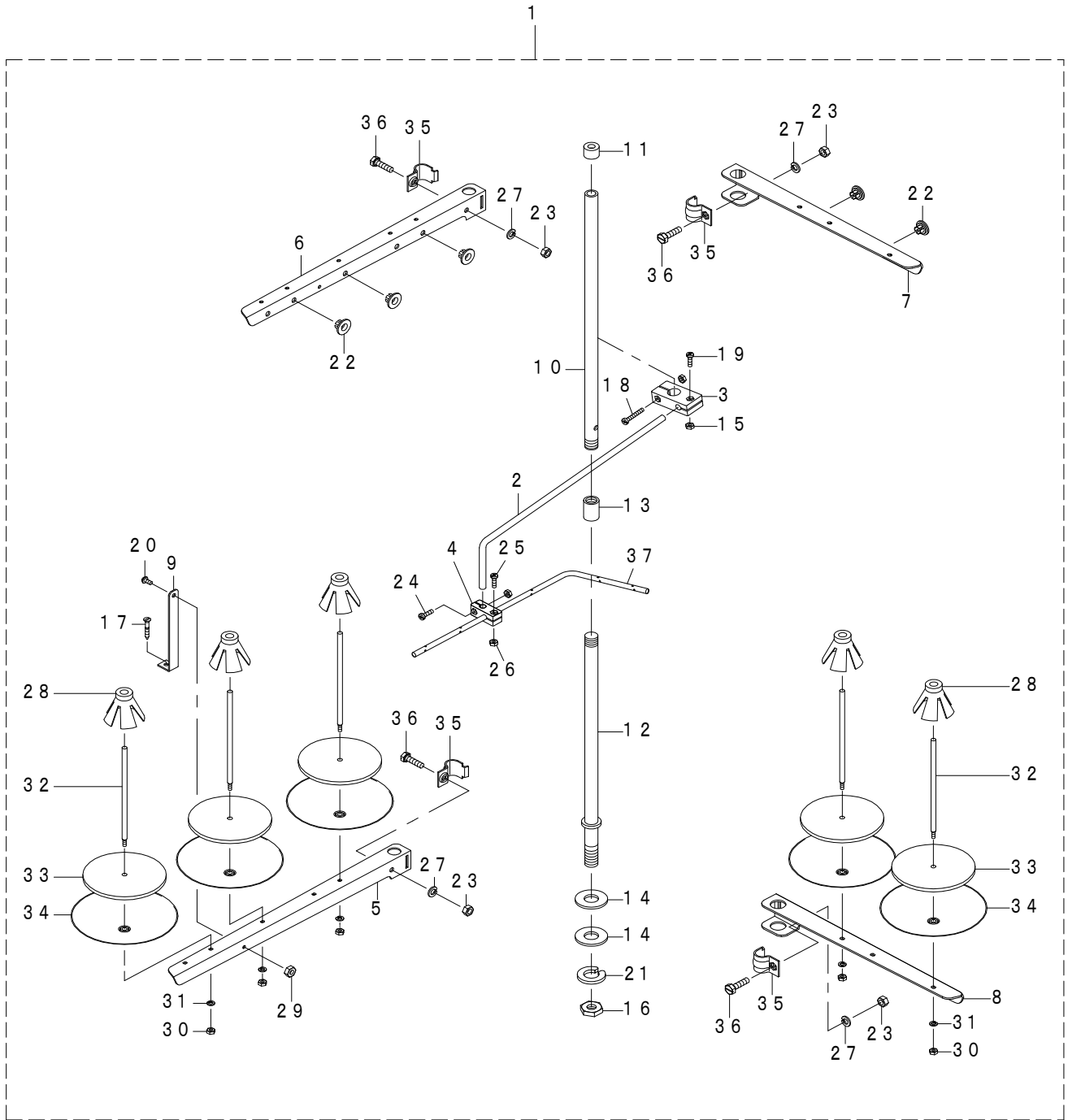
REF.NO	NOTE	PART NO	DESCRIPTION	Qty
1		401-79483	THREAD STAND COMB.	1
2		700-00179	THREAD GUIDE BAR	(1)
3		700-00180	FIXED SEAT	(1)
4		700-00181	FIXED SEAT	(1)
5		700-00182	THREAD GUIDE BAR	(1)
6		700-00183	THREAD GUIDE BAR	(1)
7		700-00186	SUPPORTER	(1)
8		700-00188	THREAD STAND ROD	(1)
9		700-00189	THREAD STAND COVER	(1)
10		700-00190	THREAD STAND ROD	(1)
11		700-00191	FIXED PLATE	(2)
12		700-00192	CONNECTING LOOP	(1)
13		700-00215	COILING SEAT	(3)
14		700-00216	SPONGY CUSHION	(3)
15		700-00217	CONNECTING LOOP	(3)
16		700-00218	THREAD STEADY BALL SEAT	(3)
17		700-00219	PLUG	(3)
18		700-00354	WASHER	(2)
19		700-00454	NUT	(2)
20		700-00455	NUT	(1)
21		700-00456	NUT	(2)
22		700-00547	E_SCREW	(1)
23		700-00579	M_SCREW	(1)
24		700-00580	M_SCREW	(1)
25		700-00581	M_SCREW	(1)
26		700-00589	M_SCREW	(2)
27		700-00611	WASHER	(2)
28		700-00615	WASHER	(3)
29		700-00618	WASHER	(1)
30		700-00580	M_SCREW	(1)
31		700-00580	M_SCREW	(1)
32		700-00454	NUT	(2)
33		700-00454	NUT	(1)
34		700-00454	NUT	(3)
35		700-00178	THREAD GUIDE PLATE	(1)

18. THREAD STAND COMPONENTS (FOR MO-6814S)



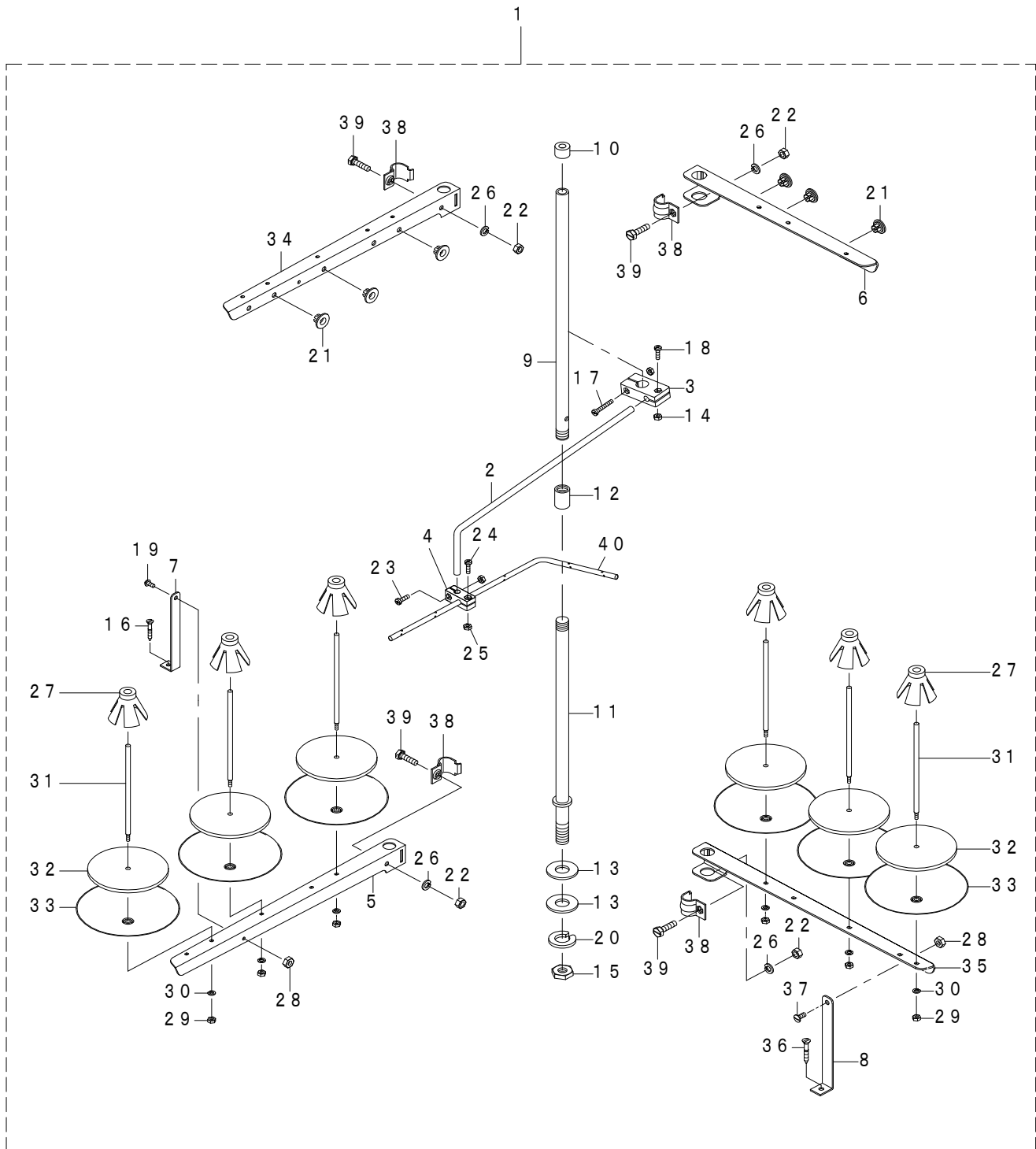
REF.NO	NOTE	PART NO	DESCRIPTION	Qty
1		401-79484	THREAD STAND COMB.	1
2		700-00179	THREAD GUIDE BAR	(1)
3		700-00180	FIXED SEAT	(1)
4		700-00181	FIXED SEAT	(1)
5		700-00182	THREAD GUIDE BAR	(1)
6		700-00183	THREAD GUIDE BAR	(1)
7		700-00184	THREAD GUIDE BAR	(1)
8		700-00185	THREAD GUIDE BAR	(1)
9		700-00186	SUPPORTER	(1)
10		700-00188	THREAD STAND ROD	(1)
11		700-00189	THREAD STAND COVER	(1)
12		700-00190	THREAD STAND ROD	(1)
13		700-00192	CONNECTING LOOP	(1)
14		700-00354	WASHER	(2)
15		700-00454	NUT	(2)
16		700-00455	NUT	(1)
17		700-00547	E_SCREW	(1)
18		700-00579	M_SCREW	(1)
19		700-00580	M_SCREW	(1)
20		700-00581	M_SCREW	(1)
21		700-00618	WASHER	(1)
22		700-00219	PLUG	(4)
23		700-00456	NUT	(4)
24		700-00580	M_SCREW	(1)
25		700-00580	M_SCREW	(1)
26		700-00454	NUT	(2)
27		700-00611	WASHER	(4)
28		700-00218	THREAD STEADY BALL SEAT	(4)
29		700-00454	NUT	(1)
30		700-00454	NUT	(4)
31		700-00615	WASHER	(4)
32		700-00217	CONNECTING LOOP	(4)
33		700-00216	SPONGY CUSHION	(4)
34		700-00215	COILING SEAT	(4)
35		700-00191	FIXED PLATE	(4)
36		700-00589	M_SCREW	(4)
37		700-00178	THREAD GUIDE PLATE	(1)

19. THREAD STAND COMPONENTS (FOR MO-6816S)



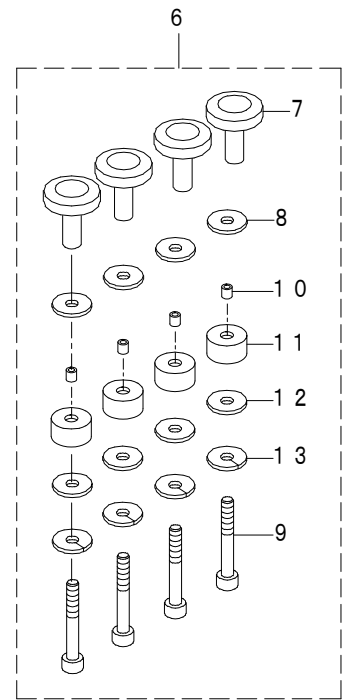
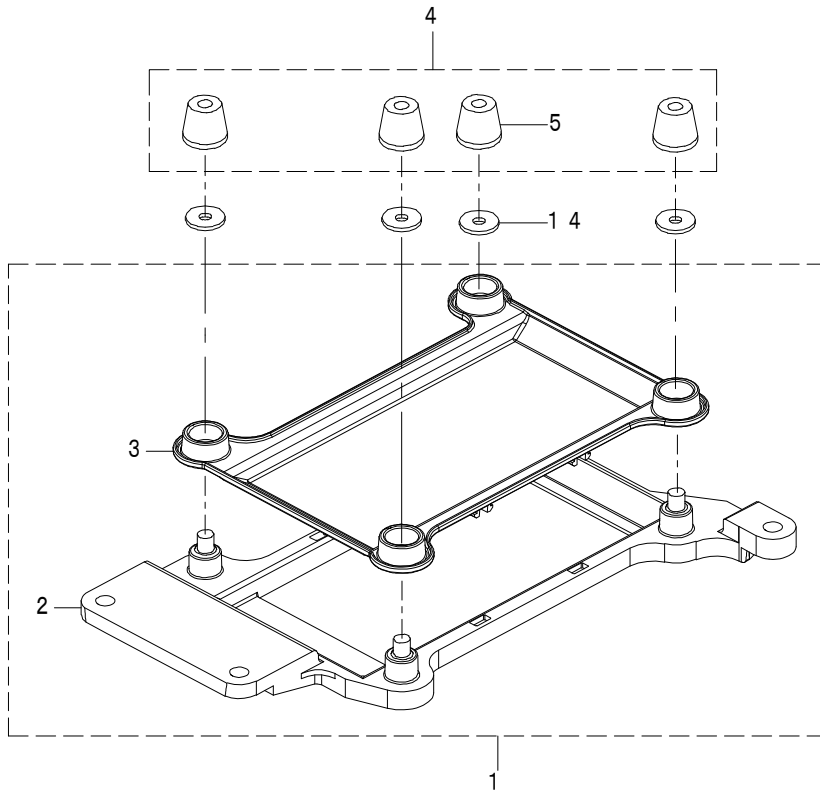
REF.NO	NOTE	PART NO	DESCRIPTION	Qty
1		401-79485	THREAD STAND COMB.	1
2		700-00179	THREAD GUIDE BAR	(1)
3		700-00180	FIXED SEAT	(1)
4		700-00181	FIXED SEAT	(1)
5		700-00182	THREAD GUIDE BAR	(1)
6		700-00183	THREAD GUIDE BAR	(1)
7		700-00184	THREAD GUIDE BAR	(1)
8		700-00185	THREAD GUIDE BAR	(1)
9		700-00186	SUPPORTER	(1)
10		700-00188	THREAD STAND ROD	(1)
11		700-00189	THREAD STAND COVER	(1)
12		700-00190	THREAD STAND ROD	(1)
13		700-00192	CONNECTING LOOP	(1)
14		700-00354	WASHER	(2)
15		700-00454	NUT	(2)
16		700-00455	NUT	(1)
17		700-00547	E_SCREW	(1)
18		700-00579	M_SCREW	(1)
19		700-00580	M_SCREW	(1)
20		700-00581	M_SCREW	(1)
21		700-00618	WASHER	(1)
22		700-00219	PLUG	(5)
23		700-00456	NUT	(4)
24		700-00580	M_SCREW	(1)
25		700-00580	M_SCREW	(1)
26		700-00454	NUT	(2)
27		700-00611	WASHER	(4)
28		700-00218	THREAD STEADY BALL SEAT	(5)
29		700-00454	NUT	(1)
30		700-00454	NUT	(5)
31		700-00615	WASHER	(5)
32		700-00217	CONNECTING LOOP	(5)
33		700-00216	SPONGY CUSHION	(5)
34		700-00215	COILING SEAT	(5)
35		700-00191	FIXED PLATE	(4)
36		700-00589	M_SCREW	(4)
37		700-00177	THREAD GUIDE BAR	(1)

20. THREAD STAND COMPONENTS (FOR MO-6843S)



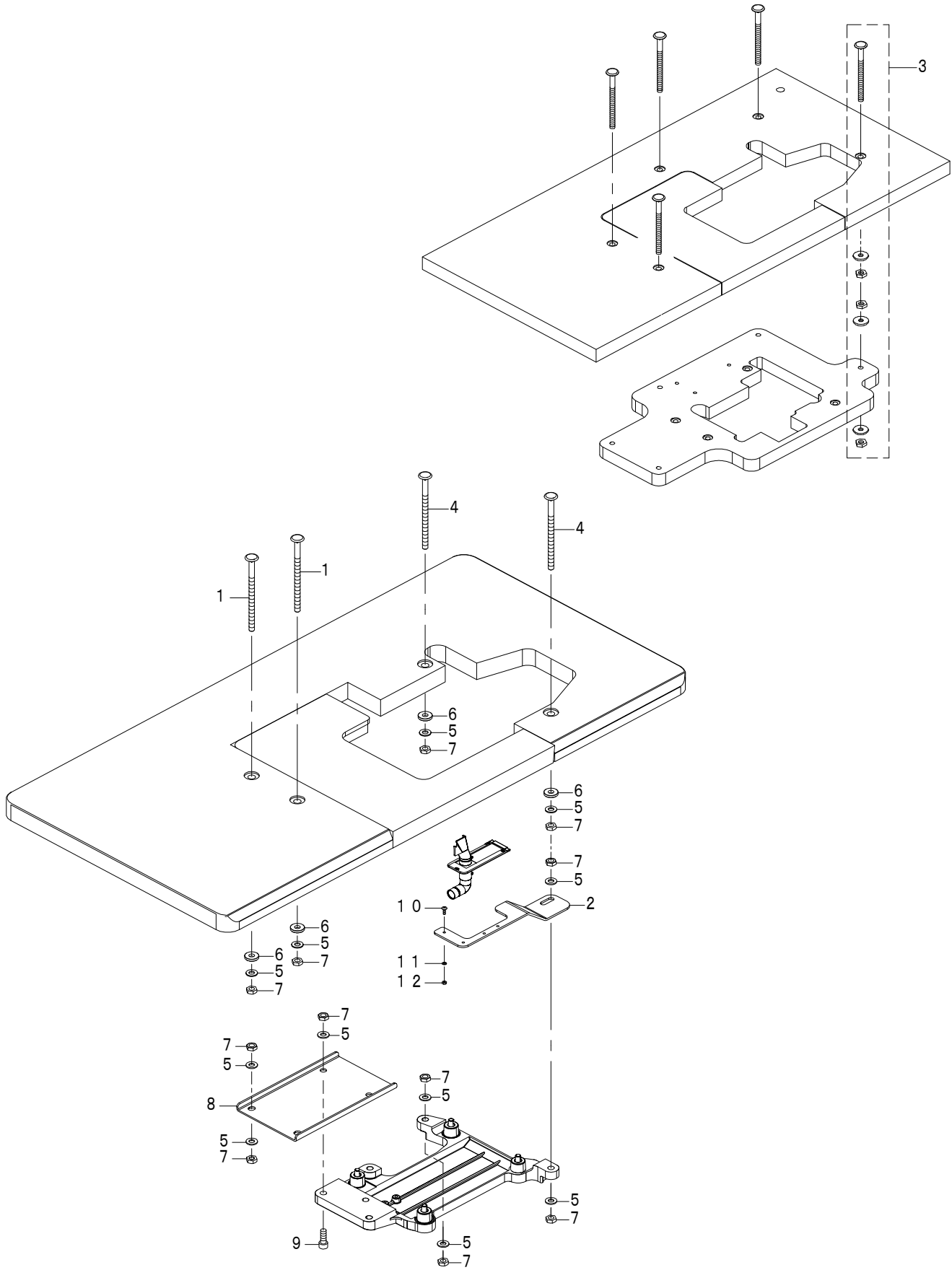
REF.NO	NOTE	PART NO	DESCRIPTION	Qty
1		401-79486	THREAD STAND COMB.	1
2		700-00179	THREAD GUIDE BAR	(1)
3		700-00180	FIXED SEAT	(1)
4		700-00181	FIXED SEAT	(1)
5		700-00182	THREAD GUIDE BAR	(1)
6		700-00183	THREAD GUIDE BAR	(1)
7		700-00186	SUPPORTER	(1)
8		700-00187	SUPPORTER	(1)
9		700-00188	THREAD STAND ROD	(1)
10		700-00189	THREAD STAND COVER	(1)
11		700-00190	THREAD STAND ROD	(1)
12		700-00192	CONNECTING LOOP	(1)
13		700-00354	WASHER	(2)
14		700-00454	NUT	(2)
15		700-00455	NUT	(1)
16		700-00547	E_SCREW	(1)
17		700-00579	M_SCREW	(1)
18		700-00580	M_SCREW	(1)
19		700-00581	M_SCREW	(1)
20		700-00618	WASHER	(1)
21		700-00219	PLUG	(6)
22		700-00456	NUT	(4)
23		700-00580	M_SCREW	(1)
24		700-00580	M_SCREW	(1)
25		700-00454	NUT	(2)
26		700-00611	WASHER	(4)
27		700-00218	THREAD STEADY BALL SEAT	(6)
28		700-00454	NUT	(2)
29		700-00454	NUT	(6)
30		700-00615	WASHER	(6)
31		700-00217	CONNECTING LOOP	(6)
32		700-00216	SPONGY CUSHION	(6)
33		700-00215	COILING SEAT	(6)
34		700-00183	THREAD GUIDE BAR	(1)
35		700-00182	THREAD GUIDE BAR	(1)
36		700-00547	E_SCREW	(1)
37		700-00581	M_SCREW	(1)
38		700-00191	FIXED PLATE	(4)
39		700-00589	M_SCREW	(4)
40		700-00177	THREAD GUIDE BAR	(1)

21. SEMI-SUNKEN TYPE TABLE COMPONENTS



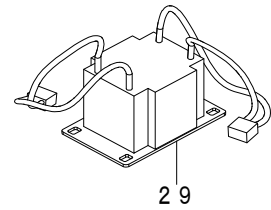
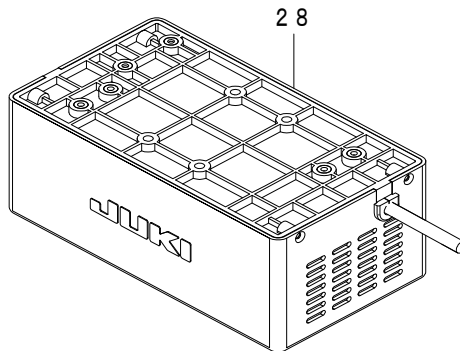
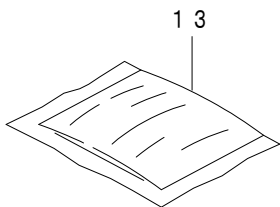
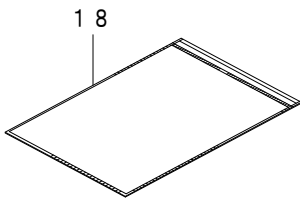
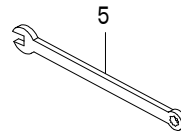
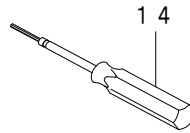
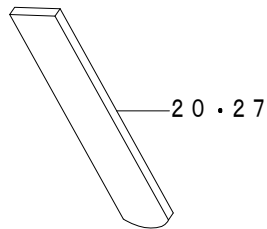
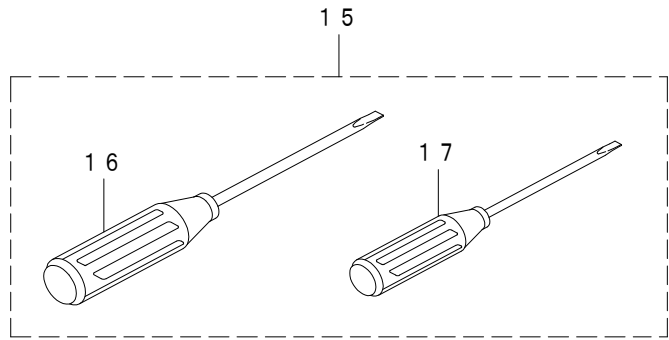
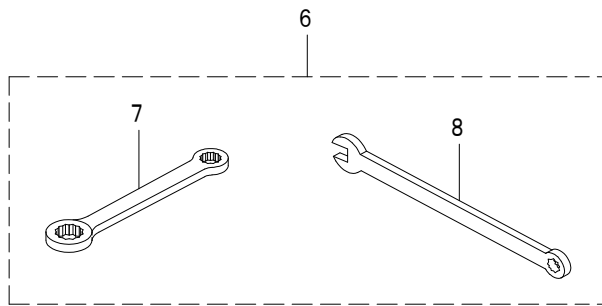
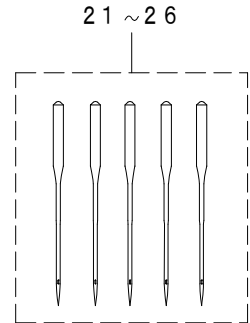
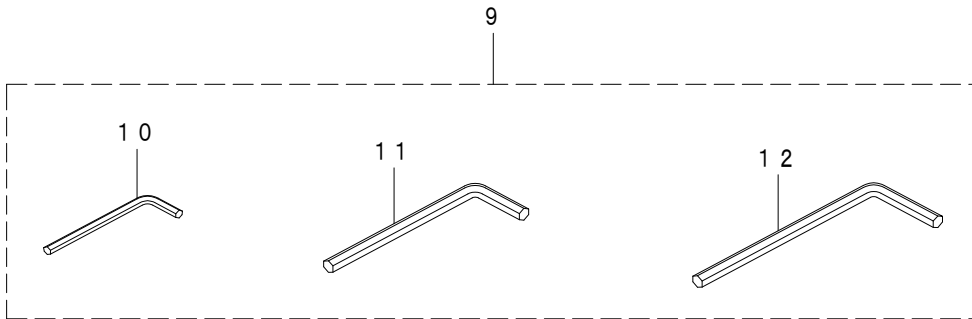
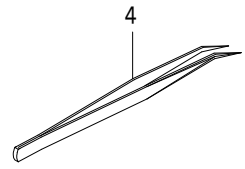
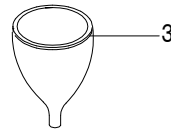
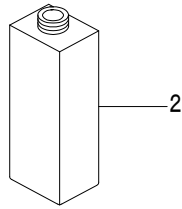
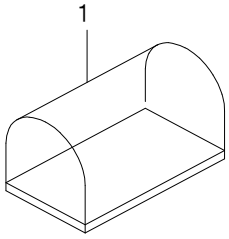
REF.NO	NOTE	PART NO	DESCRIPTION	Qty
1		700-00264	CHASSIS	1
2		700-00263	CHASSIS	(1)
3		700-00438	RUBBER PAD	(1)
4		700-00340	RUBBER BLOCK	1
5		700-00338	RUBBER BLOCK	(4)
6		700-00265	BOLT COMB.	1
7		700-00332	FIXED SHAFT	(4)
8		700-00339	RUBBER BLOCK	(4)
9		700-00707	BOLT	(4)
10		401-59780	GASKET	(4)
11		401-59781	GASKET	(4)
12		700-00348	WASHER	(4)
13		700-00617	WASHER	(4)
14		700-00339	RUBBER BLOCK	4

22. FULLY-SUNKEN TYPE TABLE COMPONENTS



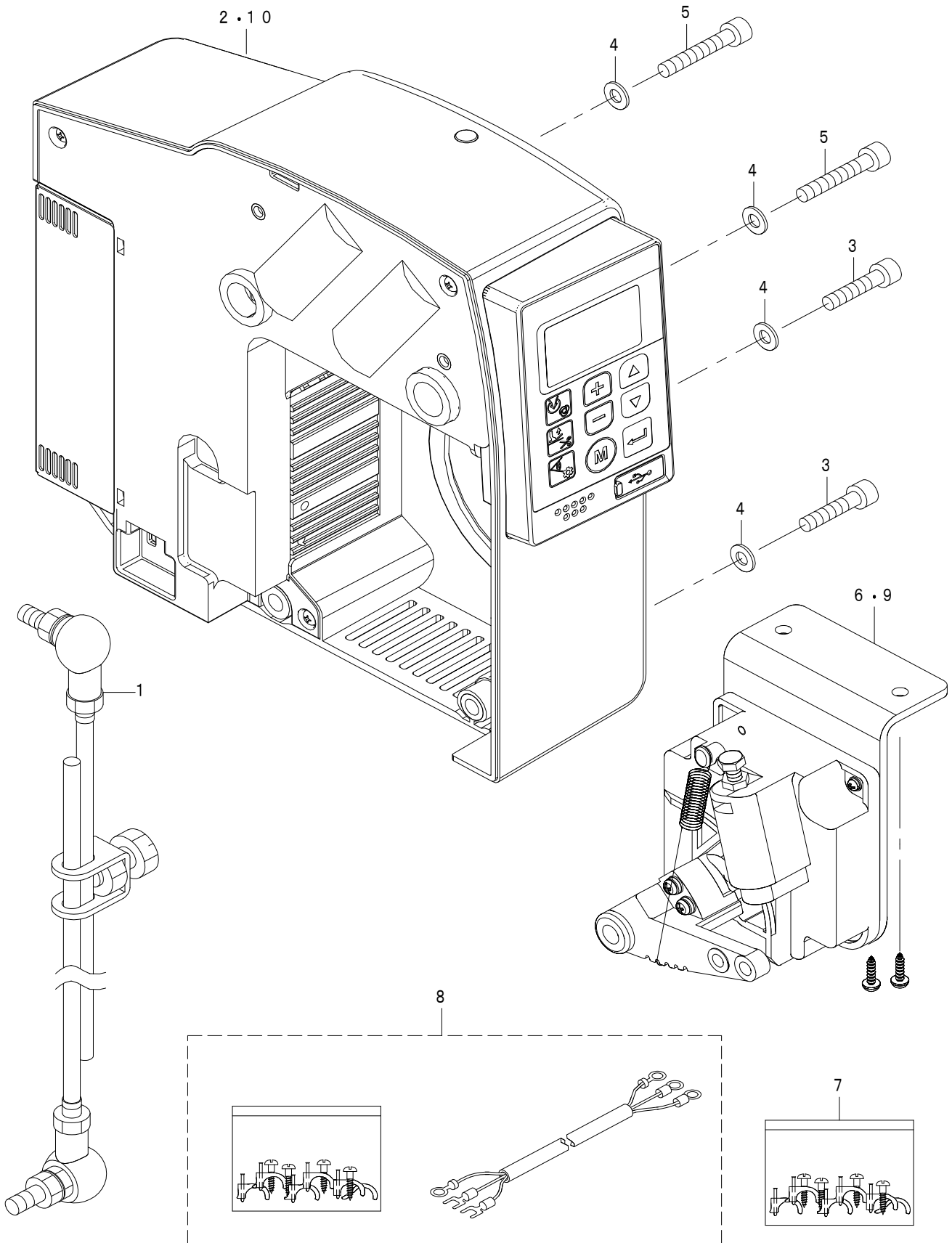
REF.NO	NOTE	PART NO	DESCRIPTION	Qty
1		402-16756	HOLDING PLATE BOLT	2
2		402-49808	FRAME_HOLDING_PLATE_COUPLING	1
3	#01	700-00884	BOLT ASM.	5
4		402-16747	HOLDING PLATE BOLT	2
5		700-00360	WASHER	14
6		402-16748	SPRING WASHER M10	4
7		700-00459	NUT M10X1.5 TYPE1	14
8		402-16751	FRAME HOLDING PLATE COUPLING	1
9		402-16752	SCREW M10 L=45	2
10		401-59563	SCREW M4X0.7 L=20	4
11		402-16753	WASHER M4	4
12		402-16754	NUT M4X0.7 TYPE1	4
	NOTE		#01....FIVE PARTS ENCLOSED WITH THE DOTTED LINEARE ENCLOSED	

23. ACCESSORIES PARTS COMPONENTS



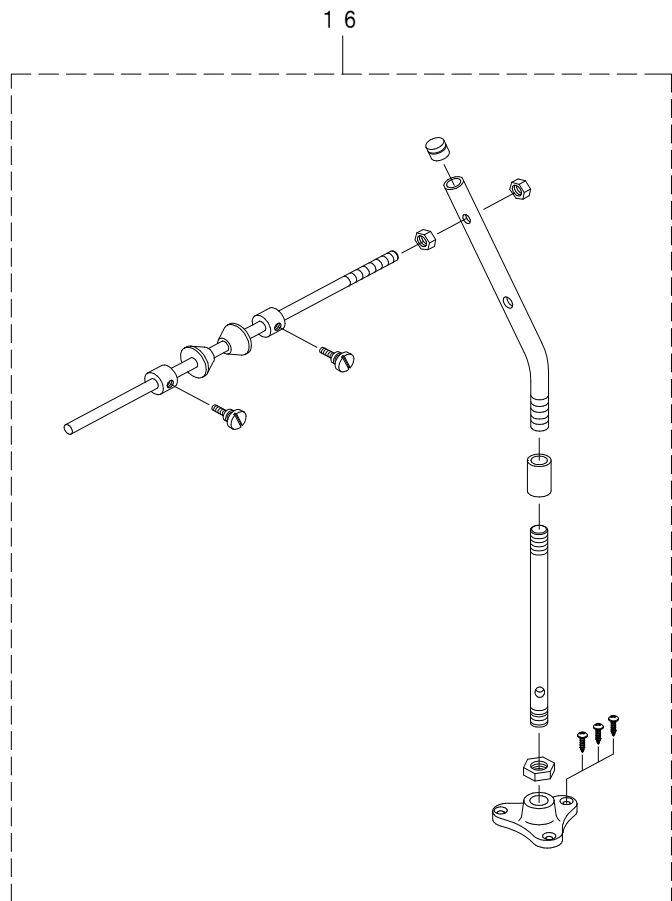
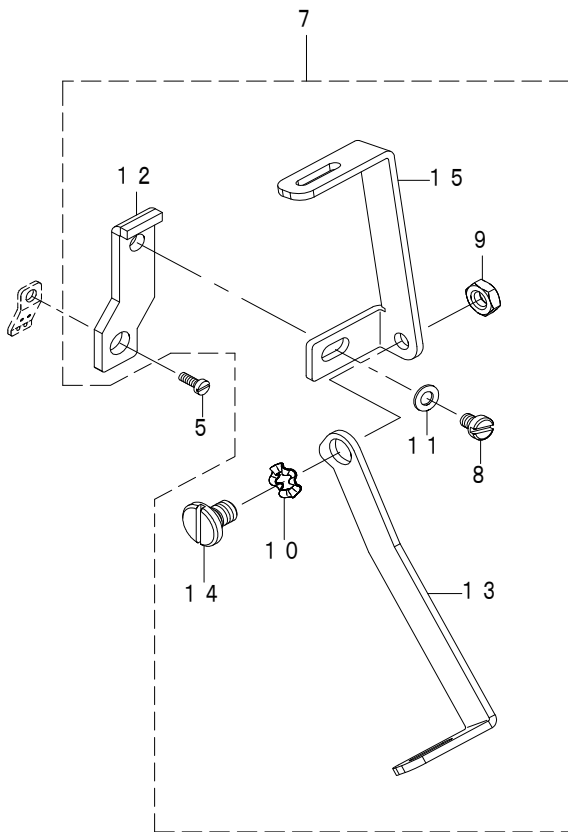
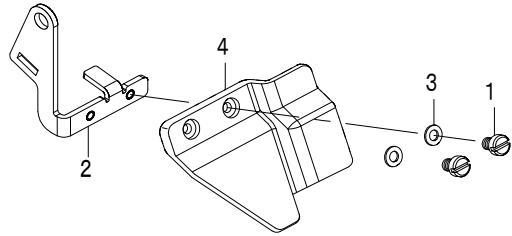
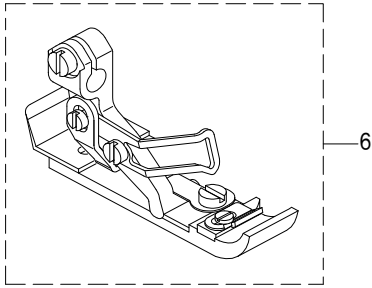
REF.NO	NOTE	PART NO	DESCRIPTION	Qty
1		402-35247	HEAD COVER	1
2		401-59785	SEWING OIL J18(3)	1
3		700-00757	FUNNEL	1
4		700-00759	TWEEZERS	1
5		401-71278	RING SPANNER	1
6		401-59796	SPANNER COMB.	1
7		401-59794	RING SPANNER	(1)
8		401-59795	SPANNER	(1)
9		401-59793	HEXAGONAL ROD SPANNER KEY COMB.	1
10		401-59789	HEXAGONAL ROD SPANNER KEY	(1)
11		401-59790	HEXAGONAL ROD SPANNER KEY	(1)
12		401-59791	HEXAGONAL ROD SPANNER KEY	(1)
13		700-00763	DESICCATIVE	1
14		700-00758	HEXAGON SCREWDRIVER	1
15		401-59792	SCREW DRIVER COMB.	1
16		401-59787	SCREW DRIVER	(1)
17		401-59788	SCREW DRIVER	(1)
18		700-00761	TOOL BAG	1
19		700-00498	E_SCREW	1
20		700-00399	KNIFE	1
21		MDC-270B1100	NEEDLE DCX27 #11	5
22	#01	MDC-270B0800	NEEDLE DCX27 #8	5
23	#02	MDC-270B0900	NEEDLE DCX27 #9	5
24	#03	MDC-270B1400	NEEDLE DCX27 #14	5
25	#04	MDC-270B1600	NEEDLE DCX27 #16	5
26	#05	MDC-270B2100	NEEDLE DCX27 #21	5
27	#05	401-78596	KNIFE	1
28	#06	402-42705	REACTOR_COVER_CABLE_SET_DD	1
29	#06	402-42703	REACTOR_DD	1
		NOTE	#01....FOR 04S-150 #02....FOR 14S-24H #03....FOR 14S-44H,43S #04....FOR 16S-50H #05....FOR 16S-60H #06....TYPE CE	

24. PSC UNIT



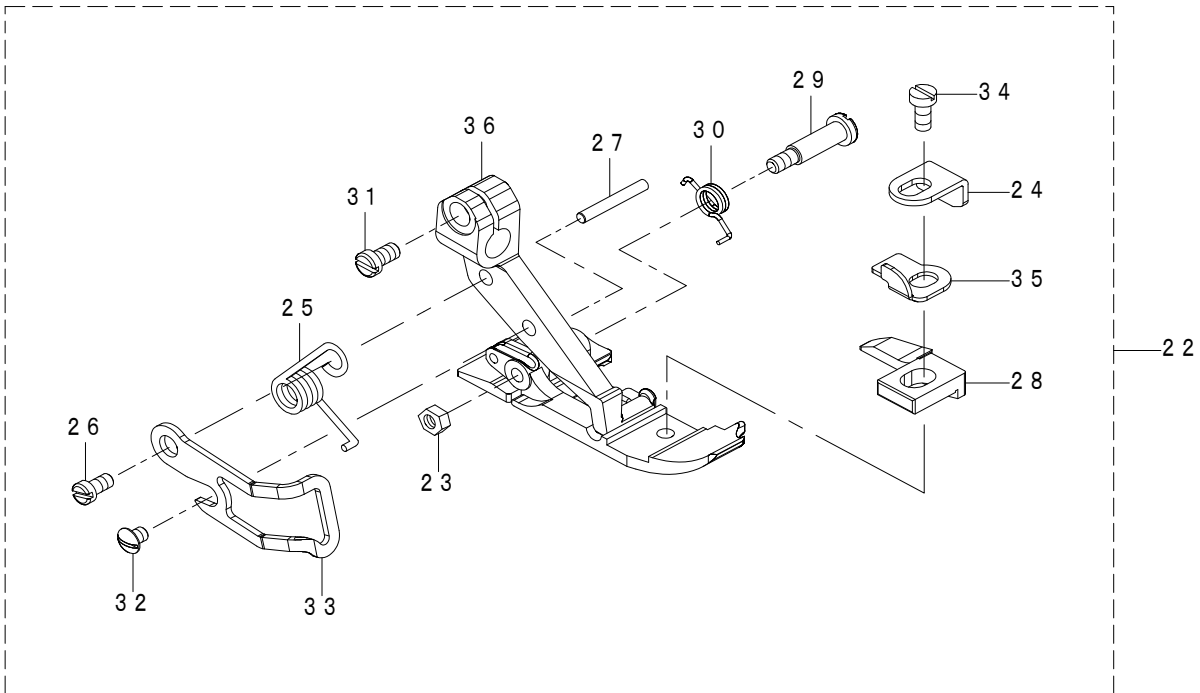
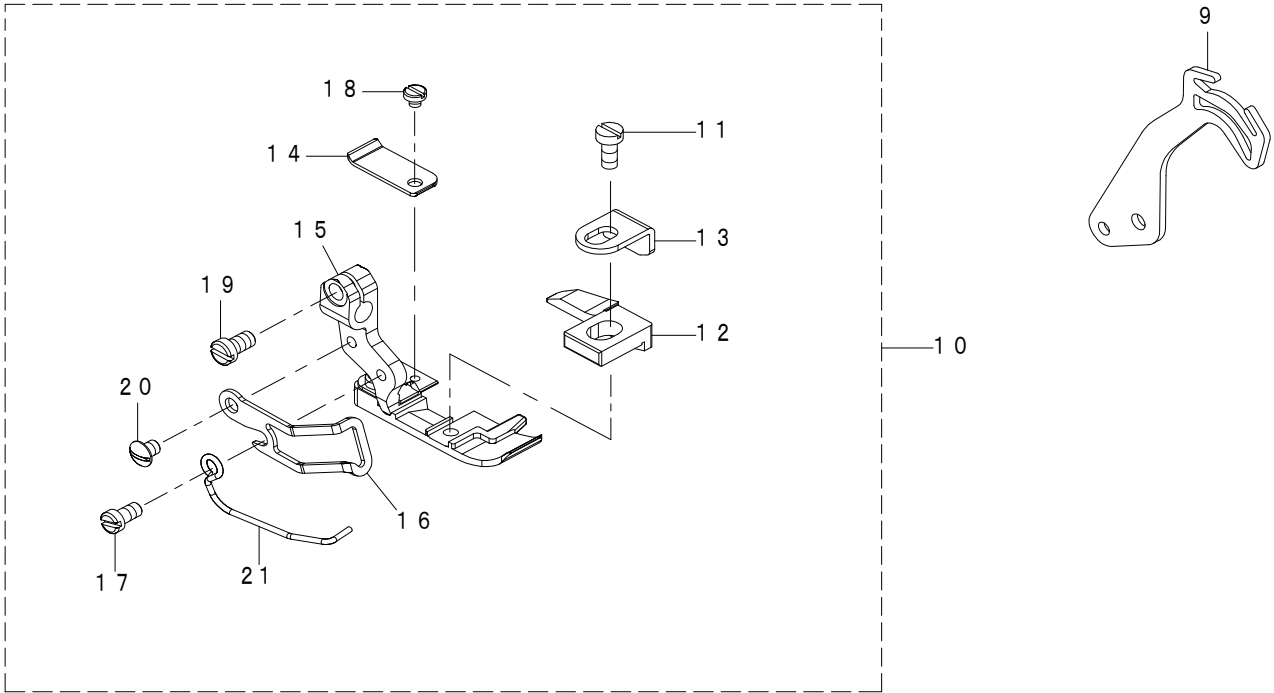
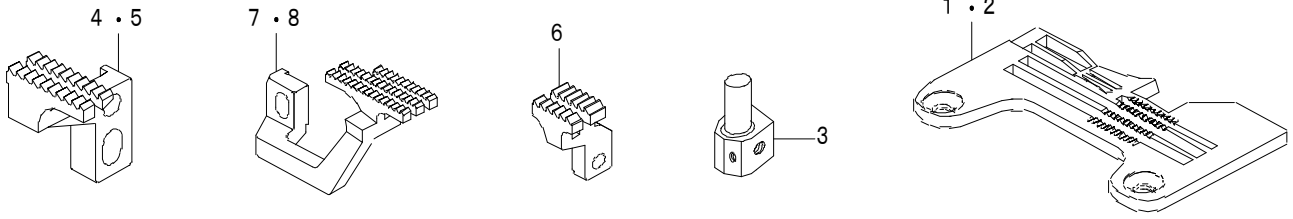
REF.NO	NOTE	PART NO	DESCRIPTION	Qty
1		402-44875	CONNECTING_ROD_ASSY	1
2		402-49810	CONTROL_BOX_MO68_DD22_23_1P	1
3		402-35238	M_SCREW	2
4		700-00356	WASHER	4
5		402-49102	M_SCREW	2
6		402-44874	PEDAL_SENSOR_BASE_ASSY	1
7	#02	402-15705	ACCESSORIES_PARTS_ASSY	1
8	#01	402-61292	ACCESSORIES PARTS ASSY CE	1
9	#01	402-62046	PEDAL_SENSOR_BASE_ASSY_CE	1
10	* #01	402-54796	CONTROL_BOX_DD20_1P_ASSY_CE	1
		NOTE	#01....TYPE CE #02....EXCEPT CE	

25. TAPE INSERTION COMPONENTS



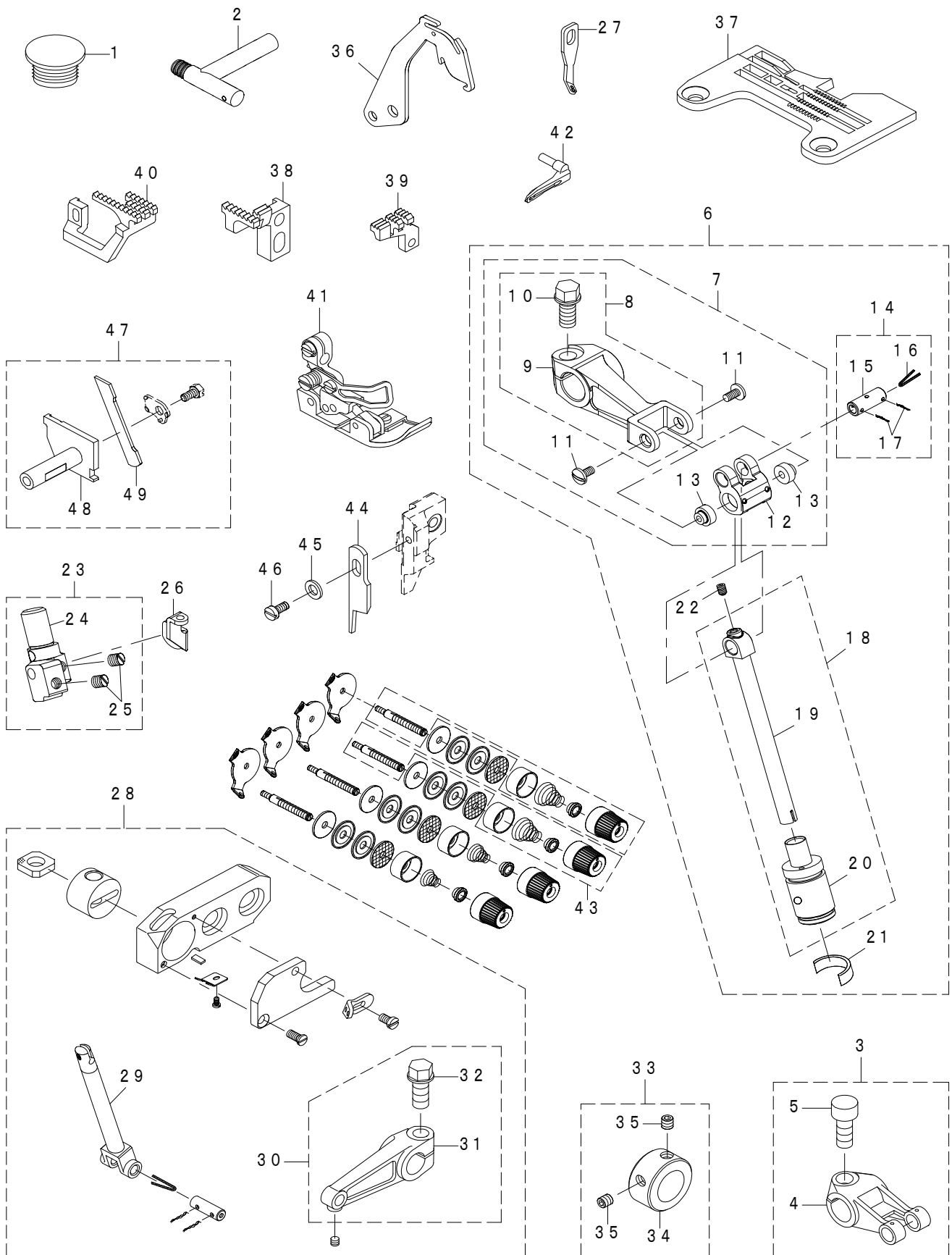
REF.NO	NOTE	PART NO	DESCRIPTION	Qty
1		700-00908	M_SCREW	2
2		402-49804	SAFETY_PLATE_BRACKET	1
3		401-59576	WASHER	2
4		401-59810	SAFETY PLATE	1
5		700-00549	E_SCREW	1
6		401-59817	PRESSER FOOT	1
7		401-59815	TAPE GUIDE COMB.	1
8		700-00908	M_SCREW	(1)
9		700-00452	NUT	(1)
10		700-00359	WASHER	(1)
11		401-59576	WASHER	(1)
12		401-59811	TAPE GUIDE	(1)
13		401-59813	TAPE GUIDE	(1)
14		401-59814	E_SCREW	(1)
15		401-59812	TAPE GUIDE	(1)
16	#01	700-00098	TAPE HOLDER	1
		NOTE	#01....OPTIONAL PARTS	

26. 30P COMPONENTS




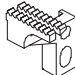


REF.NO	NOTE	PART NO	DESCRIPTION	Qty
1	#01	401-64048	THROAT PLATE	1
2	#03	401-64049	THROAT PLATE	1
3	#01	401-64055	NEEDLE CLAMP	1
4	#01	401-64050	FEED DOG	1
5	#03	401-64052	FEED DOG	1
6	#02	401-64051	FEED DOG	1
7	#01	401-64044	FEED DOG	1
8	#03	401-64045	FEED DOG	1
9	#01	401-64056	THREAD TAKE-UP LEVER	1
10	#01	401-64021	PRESSER FOOT ASM.	1
11	#01	700-00558	E_SCREW	(1)
12	#01	401-64024	STITCH TONGUE	(1)
13	#01	401-64053	PRESSER FOOT 514_30P	(1)
14	#01	401-64026	REAR PRESSER FOOT	(1)
15	#01	401-64027	PRESSER FOOT HINGE	(1)
16	#01	700-00735	FINGER GUARD	(1)
17	#01	700-00500	E_SCREW	(1)
18	#01	700-00496	E_SCREW	(1)
19	#01	700-00505	E_SCREW	(1)
20	#01	700-00538	E_SCREW	(1)
21	#01	401-64028	PRESSER FOOT ARM SPRING	(1)
22	#03	401-64029	PRESSER FOOT ASM.	1
23	#03	401-64043	NUT	(1)
24	#03	401-64035	PRESSER FOOT	(1)
25	#03	401-64033	PRESSER FOOT ARM SPRING	(1)
26	#03	700-00500	E_SCREW	(1)
27	#03	401-64042	PIN	(1)
28	#03	401-64032	STITCH TONGUE	(1)
29	#03	401-64039	HINGE SCREW	(1)
30	#03	401-64037	SPRING	(1)
31	#03	700-00505	E_SCREW	(1)
32	#03	700-00538	E_SCREW	(1)
33	#03	401-64034	FINGER GUARD	(1)
34	#03	401-59855	E_SCREW	(1)
35	#03	401-64036	SPRING	(1)
36	#03	401-64038	PRESSER FOOT HINGE	(1)
	NOTE		#01....FOR 14S-BE6-30P #02....FOR 14S-BE6-30P,16S-DE4-30P #03....FOR 16S-DE4-30P	





27. 60H COMPONENTS



REF.NO	NOTE	PART NO	DESCRIPTION	Qty
1		401-78574	RUBBER PLUG	1
2		401-78575	OIL TUBE	1
3		401-78605	NEEDLE BAR ROCKER COMB.	1
4		401-78576	NEEDLE BAR ROCKER	(1)
5		700-00588	M_SCREW	(1)
6		401-78606	NEEDLE BAR COMB.	1
7		401-78607	NEEDLE BAR COMB.	(1)
8		401-78609	CONNECTING ROD COMB.	(1)
9		401-78577	CONNECTING ROD	(1)
10		700-00593	M_SCREW	(1)
11		401-78578	M_SCREW	(2)
12		401-78579	NEEDLE DRIVING LINK	(1)
13		401-78580	NEEDLE DRIVING ARM PIN	(2)
14		401-78608	SHAFT COMB.	(1)
15		401-78584	SHAFT	(1)
16		700-00729	OIL WICK	(1)
17		700-00728	OIL YARN	(2)
18		401-78616	NEEDLE BAR COMB.	(1)
19		401-78581	NEEDLE BAR	(1)
20		401-78583	BUSHING	(1)
21		700-00676	OIL FELT	(1)
22		401-78582	M_SCREW	(1)
23		700-00804	NEEDLE CLAMP	1
24		401-59613	NEEDLE CLAMP	(1)
25		700-00498	E_SCREW	(2)
26		401-78586	THREAD CROSSING	1
27		401-79600	THREAD GUIDE	1
28		401-78611	CONNECTING ROD SEAT COMB.	1
29		401-78613	LOOPER CONNECTING ROD COMB.	(1)
30		401-78612	CONNECTING ROD COMB.	(1)
31		401-78588	CONNECTING ROD	(1)
32		700-00593	M_SCREW	(1)
33		401-78610	COLLAR COMB.	1
34		401-78587	COLLAR	(1)
35		700-00522	E_SCREW	(2)
36		401-78585	THREAD TAKE-UP LEVER	1
37		401-78594	THROAT PLATE	1
38		401-78597	FEED DOG	1
39		401-78598	FEED DOG	1
40		401-78599	FEED DOG	1
41		401-78595	PRESSER FOOT ASM.	1
42		401-78592	LOOPER	1
43		401-78615	THREAD TENSION COMB. (Y2)	1
44		401-59725	KNIFE	1
45		700-00350	WASHER	1
46		700-00508	E_SCREW	1
47		401-78617	KNIFE SEAT COMB.	1
48		401-78600	KNIFE SEAT	(1)
49		401-78596	KNIFE	(1)

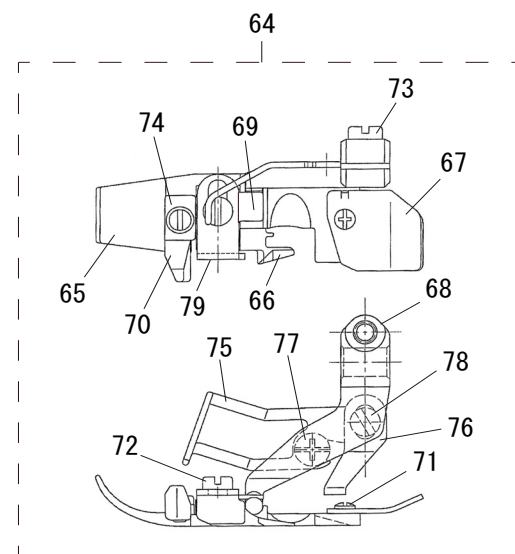
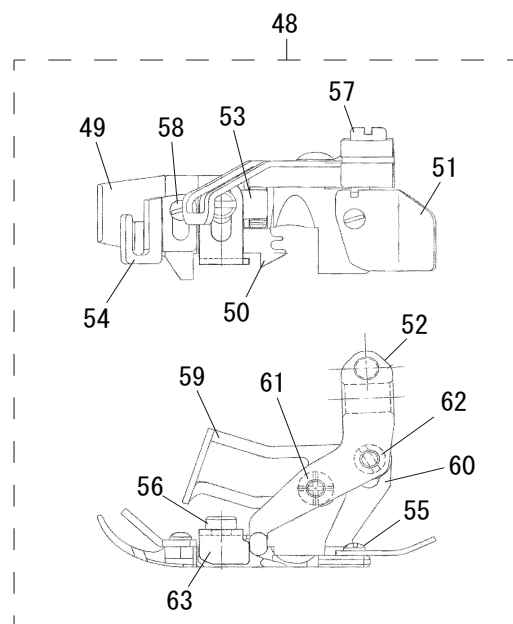
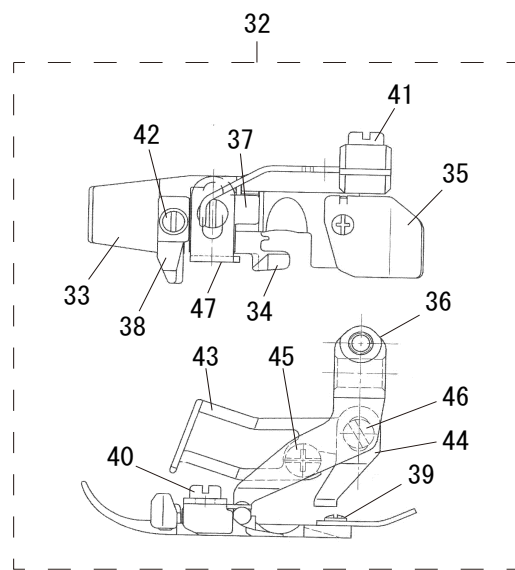
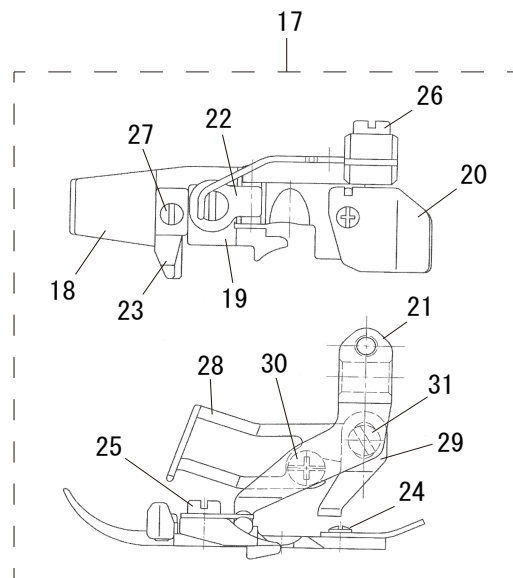
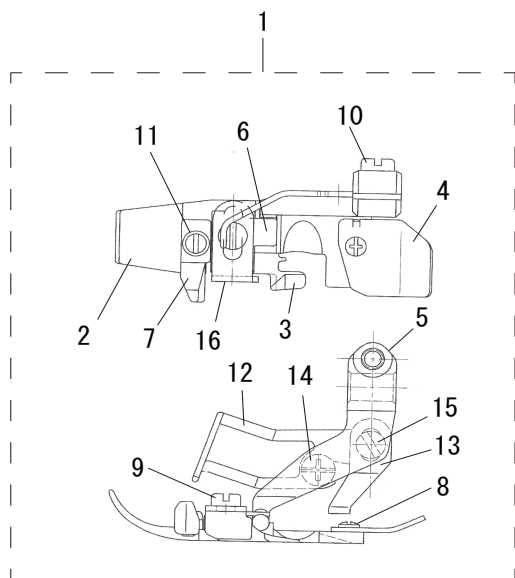
28. MO-6800S GAUGE TABLE

MODEL								
	No.		No.		No.		No.	
MO-6804S-0E4-30H	1	401-59827	18	401-59820	35	700-00782	52	401-59836
MO-6804S-0A4-150	2	401-59825	19	401-59820	36	700-00784	53	401-59836
MO-6814S-BD6-30H	3	401-59828	20	401-59822	37	700-00782	54	401-59837
MO-6814S-BD6-24H/G44/Q143	4	401-59828	21	401-59822	38	700-00782	55	401-59837
MO-6814S-BD6-34H/G44/Q143	5	401-59828	22	401-59822	39	700-00782	56	401-59837
MO-6814S-BE6-24H/G44/Q143	6	401-59829	23	401-59822	40	700-00782	57	401-59837
MO-6814S-BE6-34H/G44/Q143	7	401-59829	24	401-59822	41	700-00782	58	401-59837
MO-6814S-BE6-40H	8	401-59829	25	401-59822	42	700-00782	59	401-59837
MO-6814S-BE6-44H/G44/Q143	9	401-59829	26	401-59822	43	700-00782	60	401-59837
MO-6814S-BE6-30P	10	401-64049	27	401-64050	44	700-00782	61	401-64044
MO-6816S-DE4-30HE35	127	401-69858	128	401-69860	129	700-00782	130	401-69861
MO-6816S-DE6-30H	11	401-59830	28	401-59821	45	700-00782	62	401-59838
MO-6816S-FF6-30H	120	401-59831	121	401-59821	122	700-00782	123	401-59839
MO-6816S-FF6-50H	12	401-59834	29	401-59821	46	700-00782	63	401-59839
MO-6816S-FH6-60H	13	401-78594	30	401-78597	47	401-78598	64	401-78599
MO-6816S-DE4-30P	14	401-64049	31	401-64052	48	700-00782	65	401-64045
MO-6843S-1D6-40H	15	401-59833	32	401-59821	49	700-00782	66	401-59839
MO-6843S-2D6-40H	16	401-59832	33	401-59821	50	700-00782	67	401-59839
MO-6845S-FF6-360-N075	17	401-59826	34	401-59823	51	401-59824	68	401-59840

MODEL								
	No.		No.		No.			
MO-6804S-0E4-30H	69	401-59844	86	700-00798	102	700-00801	DCX27#11	
MO-6804S-0A4-150	70	401-59842	87	700-00798	103	700-00801	DCX27#8	
MO-6814S-BD6-30H	71	401-69857	88	700-00238	104	700-00802	DCX27#11*2	
MO-6814S-BD6-24H/G44/Q143	72	401-59817	89	700-00238	105	700-00802	DCX27#9*2	
MO-6814S-BD6-34H/G44/Q143	73	401-59817	90	700-00238	106	700-00802	DCX27#11*2	
MO-6814S-BE6-24H/G44/Q143	74	401-59817	91	700-00238	107	700-00802	DCX27#9*2	
MO-6814S-BE6-34H/G44/Q143	75	401-59817	92	700-00238	108	700-00802	DCX27#11*2	
MO-6814S-BE6-40H	76	401-59843	93	700-00799	109	700-00802	DCX27#11*2	
MO-6814S-BE6-44H/G44/Q143	77	401-59817	94	700-00799	110	700-00802	DCX27#14*2	
MO-6814S-BE6-30P	78	401-64021	95	700-00238	111	401-64055	DCX27#11*2	
MO-6816S-DE4-30HE35	131	401-59850	132	700-00238	133	700-00803	DCX27#11*2	
MO-6816S-DE6-30H	79	401-59849	96	700-00238	112	700-00803	DCX27#11*2	
MO-6816S-FF6-30H	124	401-59849	125	700-00238	126	700-00804	DCX27#11*2	
MO-6816S-FF6-50H	80	401-59849	97	700-00799	113	700-00804	DCX27#16*2	
MO-6816S-FH6-60H	81	401-78595	98	401-78592	114	700-00804	DCX27#21*2	
MO-6816S-DE4-30P	82	401-64029	99	700-00238	115	700-00803	DCX27#11*2	
MO-6843S-1D6-40H	83	401-59848	100	700-00238	116	700-00806	DCX27#11*3	
MO-6843S-2D6-40H	84	401-59847	101	700-00238	117	700-00805	DCX27#11*3	
MO-6845S-FF6-360-N075	85	401-59845	119	700-00798	118	401-59841	DCX27#14*2	

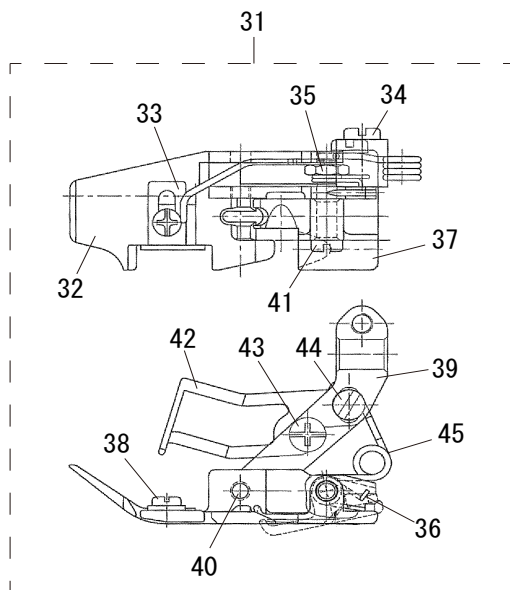
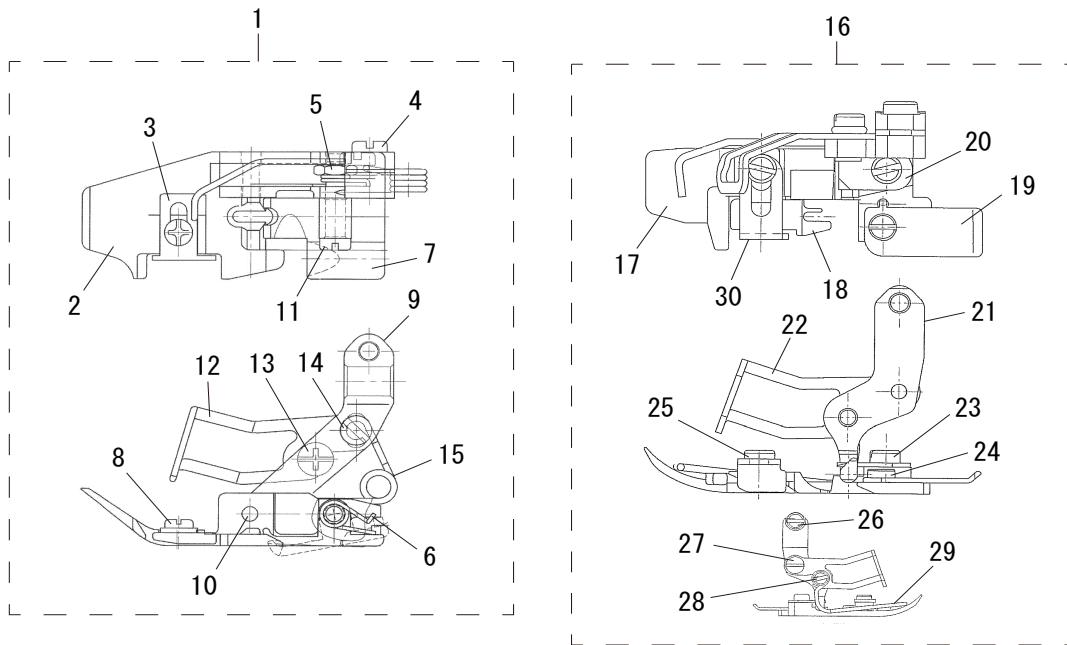
REF.NO	NOTE	PART NO	DESCRIPTION	Qty
1		401-59827	THROAT PLATE	1
2		401-59825	THROAT PLATE	1
3		401-59828	THROAT PLATE	1
4		401-59828	THROAT PLATE	1
5		401-59828	THROAT PLATE	1
6		401-59829	THROAT PLATE	1
7		401-59829	THROAT PLATE	1
8		401-59829	THROAT PLATE	1
9		401-59829	THROAT PLATE	1
10		401-64049	THROAT PLATE	1
11		401-59830	THROAT PLATE	1
12		401-59834	THROAT PLATE	1
13		401-78594	THROAT PLATE	1
14		401-64049	THROAT PLATE	1
15		401-59833	THROAT PLATE	1
16		401-59832	THROAT PLATE	1
17		401-59826	THROAT PLATE	1
18		401-59820	FEED DOG	1
19		401-59820	FEED DOG	1
20		401-59822	FEED DOG	1
21		401-59822	FEED DOG	1
22		401-59822	FEED DOG	1
23		401-59822	FEED DOG	1
24		401-59822	FEED DOG	1
25		401-59822	FEED DOG	1
26		401-59822	FEED DOG	1
27		401-64050	FEED DOG	1
28		401-59821	FEED DOG	1
29		401-59821	FEED DOG	1
30		401-78597	FEED DOG	1
31		401-64052	FEED DOG	1
32		401-59821	FEED DOG	1
33		401-59821	FEED DOG	1
34		401-59823	FEED DOG	1
35		700-00782	FEED DOG	1
36		700-00784	FEED DOG	1
37		700-00782	FEED DOG	1
38		700-00782	FEED DOG	1
39		700-00782	FEED DOG	1
40		700-00782	FEED DOG	1
41		700-00782	FEED DOG	1
42		700-00782	FEED DOG	1
43		700-00782	FEED DOG	1
44		700-00782	FEED DOG	1
45		700-00782	FEED DOG	1
46		700-00782	FEED DOG	1
47		401-78598	FEED DOG	1
48		700-00782	FEED DOG	1
49		700-00782	FEED DOG	1
50		700-00782	FEED DOG	1
51		401-59824	FEED DOG	1
52		401-59836	FEED DOG	1
53		401-59836	FEED DOG	1
54		401-59837	FEED DOG	1
55		401-59837	FEED DOG	1
56		401-59837	FEED DOG	1
57		401-59837	FEED DOG	1
58		401-59837	FEED DOG	1
59		401-59837	FEED DOG	1
60		401-59837	FEED DOG	1
61		401-64044	FEED DOG	1
62		401-59838	FEED DOG	1
63		401-59839	FEED DOG	1
64		401-78599	FEED DOG	1
65		401-64045	FEED DOG	1
66		401-59839	FEED DOG	1
67		401-59839	FEED DOG	1
68		401-59840	FEED DOG	1
69		401-59844	PRESSER FOOT ASM.	1
70		401-59842	PRESSER FOOT ASM.	1
71		401-69857	PRESSER FOOT ASM.	1
72		401-59817	PRESSER FOOT ASM.	1
73		401-59817	PRESSER FOOT ASM.	1
74		401-59817	PRESSER FOOT ASM.	1
75		401-59817	PRESSER FOOT ASM.	1
76		401-59843	PRESSER FOOT ASM.	1
77		401-59817	PRESSER FOOT ASM.	1
78		401-64021	PRESSER FOOT ASM.	1
79		401-59850	PRESSER FOOT ASM.	1
80		401-59849	PRESSER FOOT ASM.	1
81		401-78595	PRESSER FOOT ASM.	1
82		401-64029	PRESSER FOOT ASM.	1
83		401-59848	PRESSER FOOT ASM.	1
84		401-59847	PRESSER FOOT ASM.	1
85		401-59845	PRESSER FOOT ASM.	1
86		700-00798	LOOPER	1
87		700-00798	LOOPER	1
88		700-00238	LOOPER	1
89		700-00238	LOOPER	1
90		700-00238	LOOPER	1
91		700-00238	LOOPER	1
92		700-00238	LOOPER	1
93		700-00799	LOOPER	1
94		700-00799	LOOPER	1
95		700-00238	LOOPER	1
96		700-00238	LOOPER	1
97		700-00799	LOOPER	1
98		401-78592	LOOPER	1
99		700-00238	LOOPER	1
100		700-00238	LOOPER	1
101		700-00238	LOOPER	1
102		700-00801	NEEDLE CLAMP	1
103		700-00801	NEEDLE CLAMP	1
104		700-00802	NEEDLE CLAMP	1
105		700-00802	NEEDLE CLAMP	1
106		700-00802	NEEDLE CLAMP	1
107		700-00802	NEEDLE CLAMP	1
108		700-00802	NEEDLE CLAMP	1
109		700-00802	NEEDLE CLAMP	1
110		700-00802	NEEDLE CLAMP	1
111		401-64055	NEEDLE CLAMP	1
112		700-00803	NEEDLE CLAMP	1
113		700-00804	NEEDLE CLAMP	1
114		700-00804	NEEDLE CLAMP	1
115		700-00803	NEEDLE CLAMP	1
116		700-00806	NEEDLE CLAMP	1
117		700-00805	NEEDLE CLAMP	1
118		401-59841	NEEDLE CLAMP	1
119		700-00798	LOOPER	1
120		401-59831	THROAT PLATE	1
121		401-59821	FEED DOG	1
122		700-00782	FEED DOG	1
123		401-59839	FEED DOG	1
124		401-59849	PRESSER FOOT ASM.	1
125		700-00238	LOOPER	1
126		700-00804	NEEDLE CLAMP	1
127		401-69858	THROAT PLATE	1
128		401-69860	FEED DOG	1
129		700-00782	FEED DOG	1
130		401-69861	FEED DOG	1
131		401-59850	PRESSER FOOT ASM.	1
132		700-00238	LOOPER	1
133		700-00803	NEEDLE CLAMP	1

29. MO-6800S GAUGE TABLE PRESSER FOOT COMPONENTS (1)



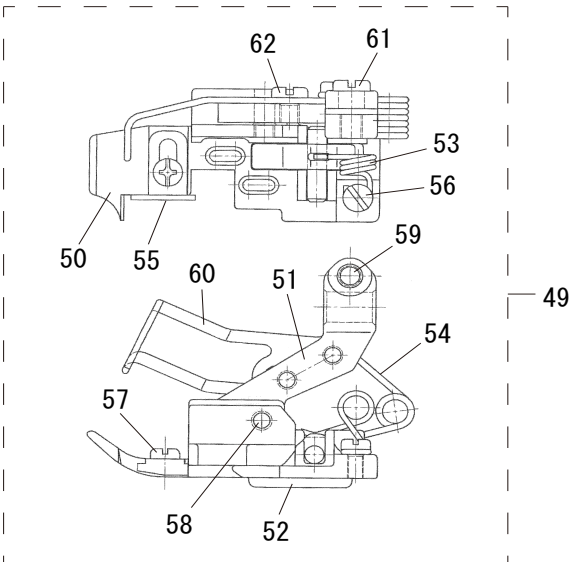
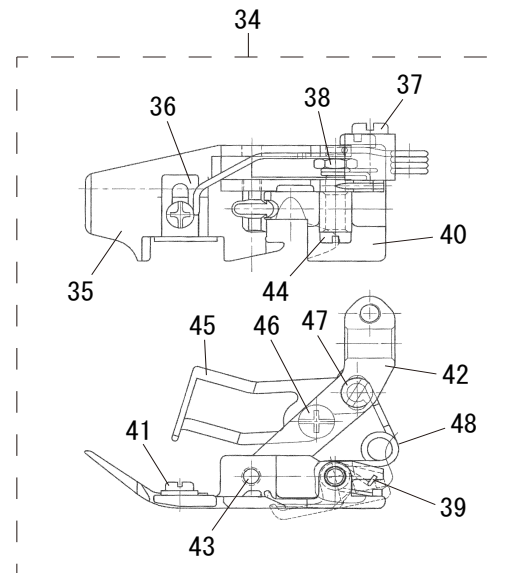
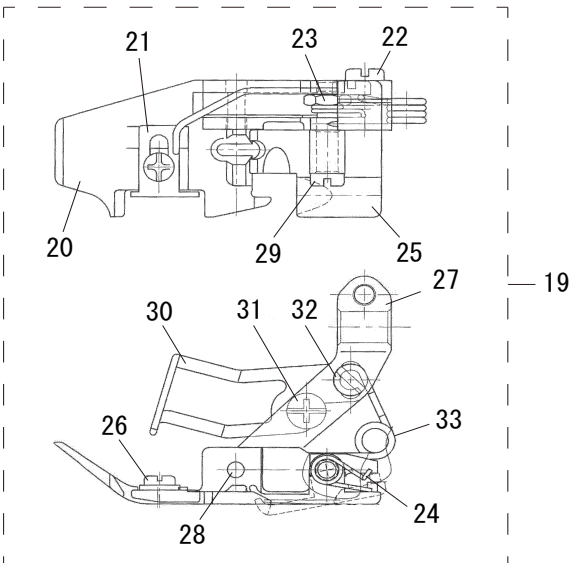
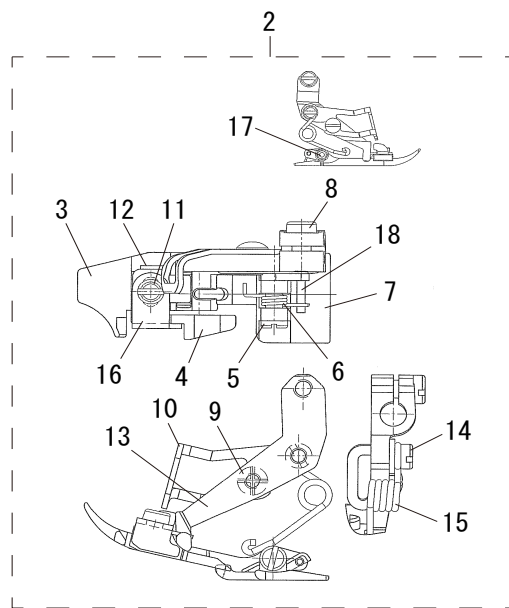
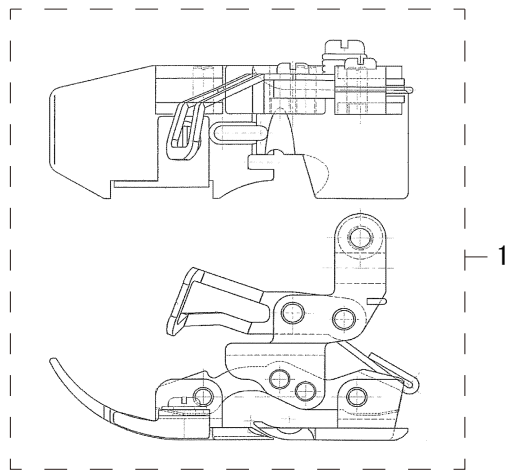
REF.NO	NOTE	PART NO	DESCRIPTION	Qty
1		401-59844	PRESSER FOOT ASM.	1
2		401-59853	PRESSER FOOT	(1)
3		401-59857	STITCH TONGUE	(1)
4		700-00862	REAR PRESSER FOOT	(1)
5		700-00859	PRESSER FOOT HINGE	(1)
6		700-00860	SPRING	(1)
7		700-00861	CURL GUARD	(1)
8		700-00879	E_SCREW	(1)
9		401-59855	E_SCREW	(1)
10		700-00505	E_SCREW	(1)
11		700-00877	E_SCREW	(1)
12		700-00735	NEEDLE GUARD	(1)
13		700-00304	FIXED PLATE	(1)
14		700-00538	E_SCREW	(1)
15		700-00500	E_SCREW	(1)
16		401-59856	THREAD GUIDE PLATE	(1)
17		401-59842	PRESSER FOOT ASM.	1
18		401-59851	PRESSER FOOT	(1)
19		401-59852	STITCH TONGUE	(1)
20		700-00862	REAR PRESSER FOOT	(1)
21		700-00859	PRESSER FOOT HINGE	(1)
22		700-00860	SPRING	(1)
23		700-00861	CURL GUARD	(1)
24		700-00879	E_SCREW	(1)
25		700-00500	E_SCREW	(1)
26		700-00505	E_SCREW	(1)
27		700-00877	E_SCREW	(1)
28		700-00735	NEEDLE GUARD	(1)
29		700-00304	FIXED PLATE	(1)
30		700-00538	E_SCREW	(1)
31		700-00500	E_SCREW	(1)
32		401-59843	PRESSER FOOT ASM.	1
33		401-59853	PRESSER FOOT	(1)
34		401-59854	STITCH TONGUE	(1)
35		700-00862	REAR PRESSER FOOT	(1)
36		700-00859	PRESSER FOOT HINGE	(1)
37		700-00860	SPRING	(1)
38		700-00861	CURL GUARD	(1)
39		700-00879	E_SCREW	(1)
40		401-59855	E_SCREW	(1)
41		700-00505	E_SCREW	(1)
42		700-00877	E_SCREW	(1)
43		700-00735	NEEDLE GUARD	(1)
44		700-00304	FIXED PLATE	(1)
45		700-00538	E_SCREW	(1)
46		700-00500	E_SCREW	(1)
47		401-59856	THREAD GUIDE PLATE	(1)
48		401-59817	PRESSER FOOT ASM.	1
49		401-59547	PRESSER FOOT	(1)
50		401-59548	STITCH TONGUE	(1)
51		700-00862	REAR PRESSER FOOT	(1)
52		700-00859	PRESSER FOOT HINGE	(1)
53		700-00860	SPRING	(1)
54		401-59549	TAPE GUIDE	(1)
55		700-00879	E_SCREW	(1)
56		401-59855	E_SCREW	(1)
57		700-00505	E_SCREW	(1)
58		700-00877	E_SCREW	(1)
59		700-00735	NEEDLE GUARD	(1)
60		700-00304	FIXED PLATE	(1)
61		700-00538	E_SCREW	(1)
62		700-00500	E_SCREW	(1)
63		401-59856	THREAD GUIDE PLATE	(1)
64		401-69857	PRESSER FOOT ASM.	1
65		401-59853	PRESSER FOOT	(1)
66		401-72524	STITCH TONGUE	(1)
67		700-00862	REAR PRESSER FOOT	(1)
68		700-00859	PRESSER FOOT HINGE	(1)
69		700-00860	SPRING	(1)
70		700-00861	CURL GUARD	(1)
71		700-00879	E_SCREW	(1)
72		401-59855	E_SCREW	(1)
73		700-00505	E_SCREW	(1)
74		700-00877	E_SCREW	(1)
75		700-00735	NEEDLE GUARD	(1)
76		700-00304	FIXED PLATE	(1)
77		700-00538	E_SCREW	(1)
78		700-00500	E_SCREW	(1)
79		401-59856	THREAD GUIDE PLATE	(1)

30. MO-6800S GAUGE TABLE PRESSER FOOT COMPONENTS (2)



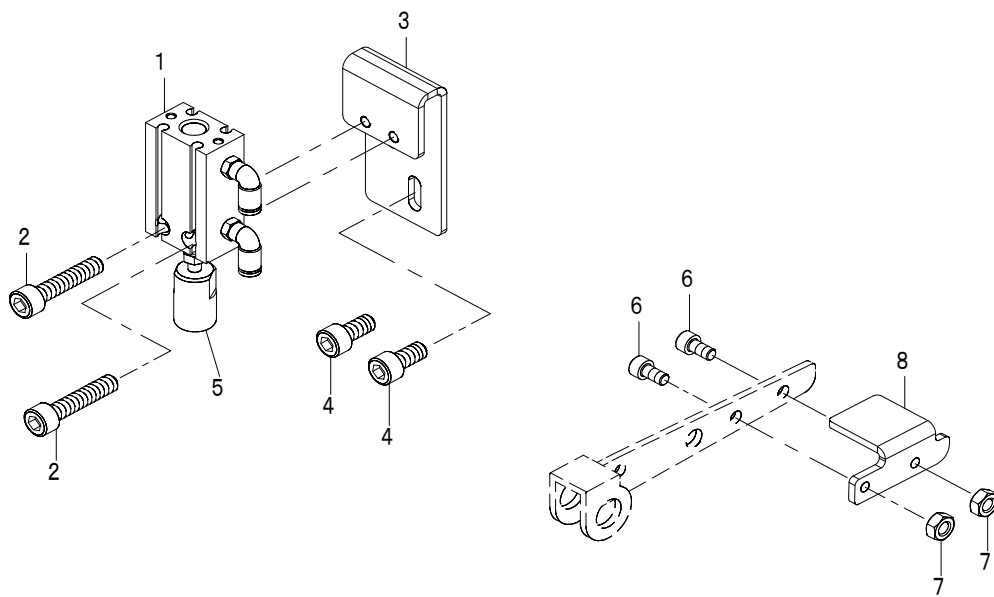
REF.NO	NOTE	PART NO	DESCRIPTION	Qty
1		401-59849	PRESSER FOOT ASM.	1
2		401-59597	PRESSER FOOT	(1)
3		700-00480	THREAD GUIDE PLATE	(1)
4		700-00505	E_SCREW	(1)
5		401-59567	NUT	(1)
6		700-00609	SPRING	(1)
7		401-59595	REAR PRESSER FOOT	(1)
8		700-00496	E_SCREW	(1)
9		401-59596	PRESSER FOOT HINGE	(1)
10		700-00537	E_SCREW	(1)
11		700-00499	E_SCREW	(1)
12		700-00735	NEEDLE GUARD	(1)
13		700-00538	E_SCREW	(1)
14		700-00500	E_SCREW	(1)
15		401-59569	SPRING	(1)
16		401-64021	PRESSER FOOT ASM.	1
17		401-64022	PRESSER FOOT	(1)
18		401-64024	STITCH TONGUE	(1)
19		401-64026	REAR PRESSER FOOT	(1)
20		401-64025	SPRING	(1)
21		401-64027	PRESSER FOOT HINGE	(1)
22		401-64041	FINGER GUARD	(1)
23		700-00500	E_SCREW	(1)
24		700-00496	E_SCREW	(1)
25		700-00558	E_SCREW	(1)
26		700-00505	E_SCREW	(1)
27		700-00538	E_SCREW	(1)
28		700-00500	E_SCREW	(1)
29		401-64028	PRESSER FOOT ARM SPRING	(1)
30		401-64053	PRESSER FOOT 514_30P	(1)
31		401-59850	PRESSER FOOT ASM.	1
32		401-59598	PRESSER FOOT	(1)
33		700-00480	THREAD GUIDE PLATE	(1)
34		700-00505	E_SCREW	(1)
35		401-59567	NUT	(1)
36		700-00609	SPRING	(1)
37		401-59599	REAR PRESSER FOOT	(1)
38		700-00496	E_SCREW	(1)
39		401-59609	PRESSER FOOT HINGE	(1)
40		700-00537	E_SCREW	(1)
41		700-00499	E_SCREW	(1)
42		700-00735	NEEDLE GUARD	(1)
43		700-00538	E_SCREW	(1)
44		700-00500	E_SCREW	(1)
45		401-59569	SPRING	(1)

31. MO-6800S GAUGE TABLE PRESSER FOOT COMPONENTS (3)



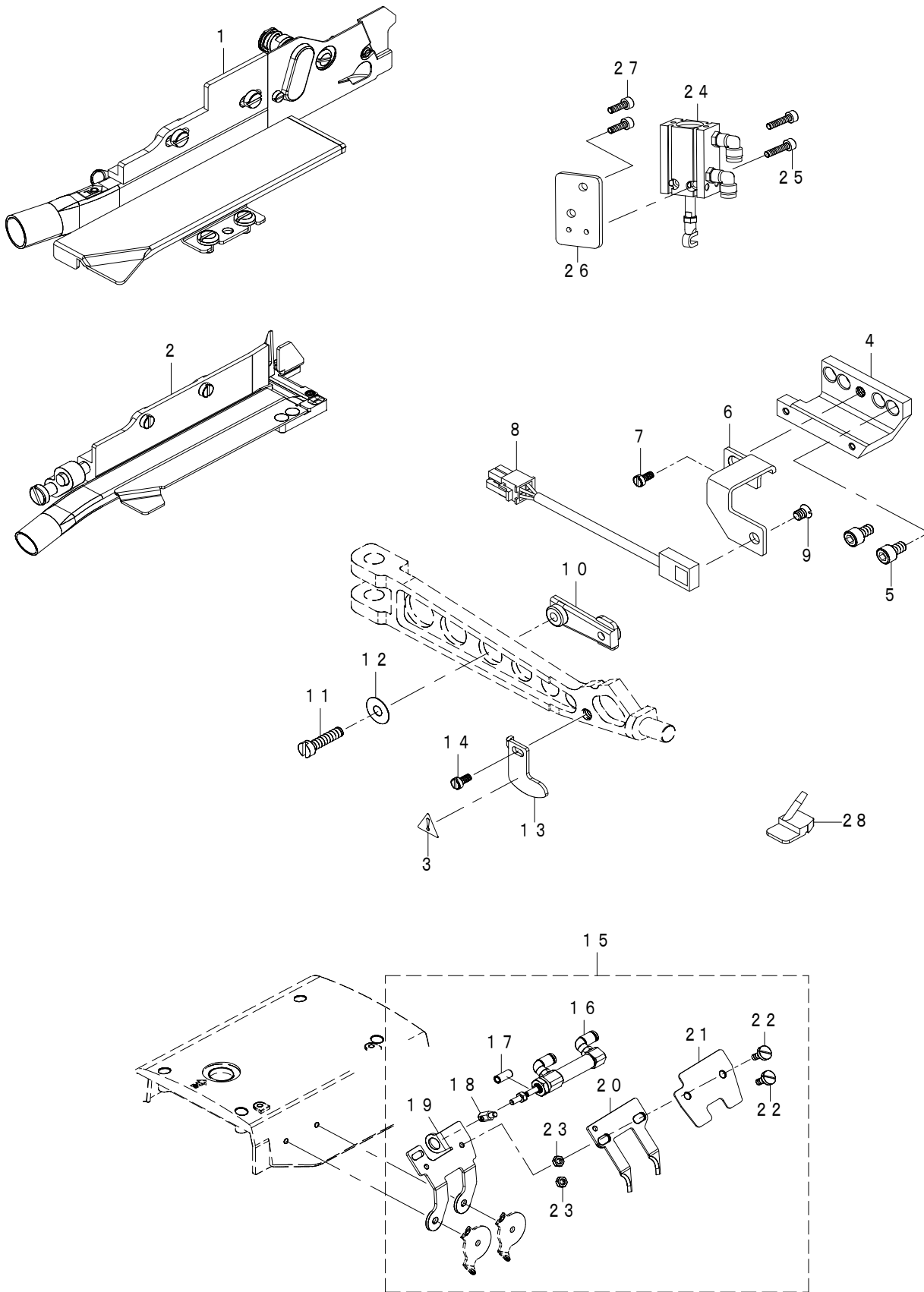
REF.NO	NOTE	PART NO	DESCRIPTION	Qty
1		401-78595	PRESSER FOOT ASM.	1
2		401-64029	PRESSER FOOT ASM.	1
3		401-64030	PRESSER FOOT	(1)
4		401-64032	STITCH TONGUE	(1)
5		401-64039	HINGE SCREW	(1)
6		401-64037	SPRING	(1)
7		401-64031	REAR PRESSER FOOT	(1)
8		700-00505	E_SCREW	(1)
9		700-00538	E_SCREW	(1)
10		401-64034	FINGER GUARD	(1)
11		401-59855	E_SCREW	(1)
12		401-64036	SPRING	(1)
13		401-64038	PRESSER FOOT HINGE	(1)
14		700-00500	E_SCREW	(1)
15		401-64033	PRESSER FOOT ARM SPRING	(1)
16		401-64035	PRESSER FOOT	(1)
17		401-64043	NUT	(1)
18		401-64042	PIN	(1)
19		401-59848	PRESSER FOOT ASM.	1
20		401-59594	PRESSER FOOT	(1)
21		700-00480	THREAD GUIDE PLATE	(1)
22		700-00505	E_SCREW	(1)
23		401-59567	NUT	(1)
24		700-00609	SPRING	(1)
25		401-59595	REAR PRESSER FOOT	(1)
26		700-00496	E_SCREW	(1)
27		401-59596	PRESSER FOOT HINGE	(1)
28		700-00537	E_SCREW	(1)
29		700-00499	E_SCREW	(1)
30		700-00735	NEEDLE GUARD	(1)
31		700-00538	E_SCREW	(1)
32		700-00500	E_SCREW	(1)
33		401-59569	SPRING	(1)
34		401-59847	PRESSER FOOT ASM.	1
35		401-59566	PRESSER FOOT	(1)
36		700-00480	THREAD GUIDE PLATE	(1)
37		700-00505	E_SCREW	(1)
38		401-59567	NUT	(1)
39		700-00609	SPRING	(1)
40		401-59568	REAR PRESSER FOOT	(1)
41		700-00496	E_SCREW	(1)
42		401-59609	PRESSER FOOT HINGE	(1)
43		700-00537	E_SCREW	(1)
44		700-00499	E_SCREW	(1)
45		700-00735	NEEDLE GUARD	(1)
46		700-00538	E_SCREW	(1)
47		700-00500	E_SCREW	(1)
48		401-59569	SPRING	(1)
49		401-59845	PRESSER FOOT ASM.	1
50		401-59541	PRESSER FOOT	(1)
51		401-59542	PRESSER FOOT HINGE	(1)
52		401-59543	REAR PRESSER FOOT	(1)
53		401-59544	SPRING	(1)
54		401-59545	SPRING	(1)
55		401-59546	THREAD GUIDE PLATE	(1)
56		700-00877	E_SCREW	(1)
57		700-00496	E_SCREW	(1)
58		700-00537	E_SCREW	(1)
59		700-00505	E_SCREW	(1)
60		700-00735	NEEDLE GUARD	(1)
61		700-00500	E_SCREW	(1)
62		700-00538	E_SCREW	(1)

32. AUTOMATIC HAND LIFTER COMPONENTS



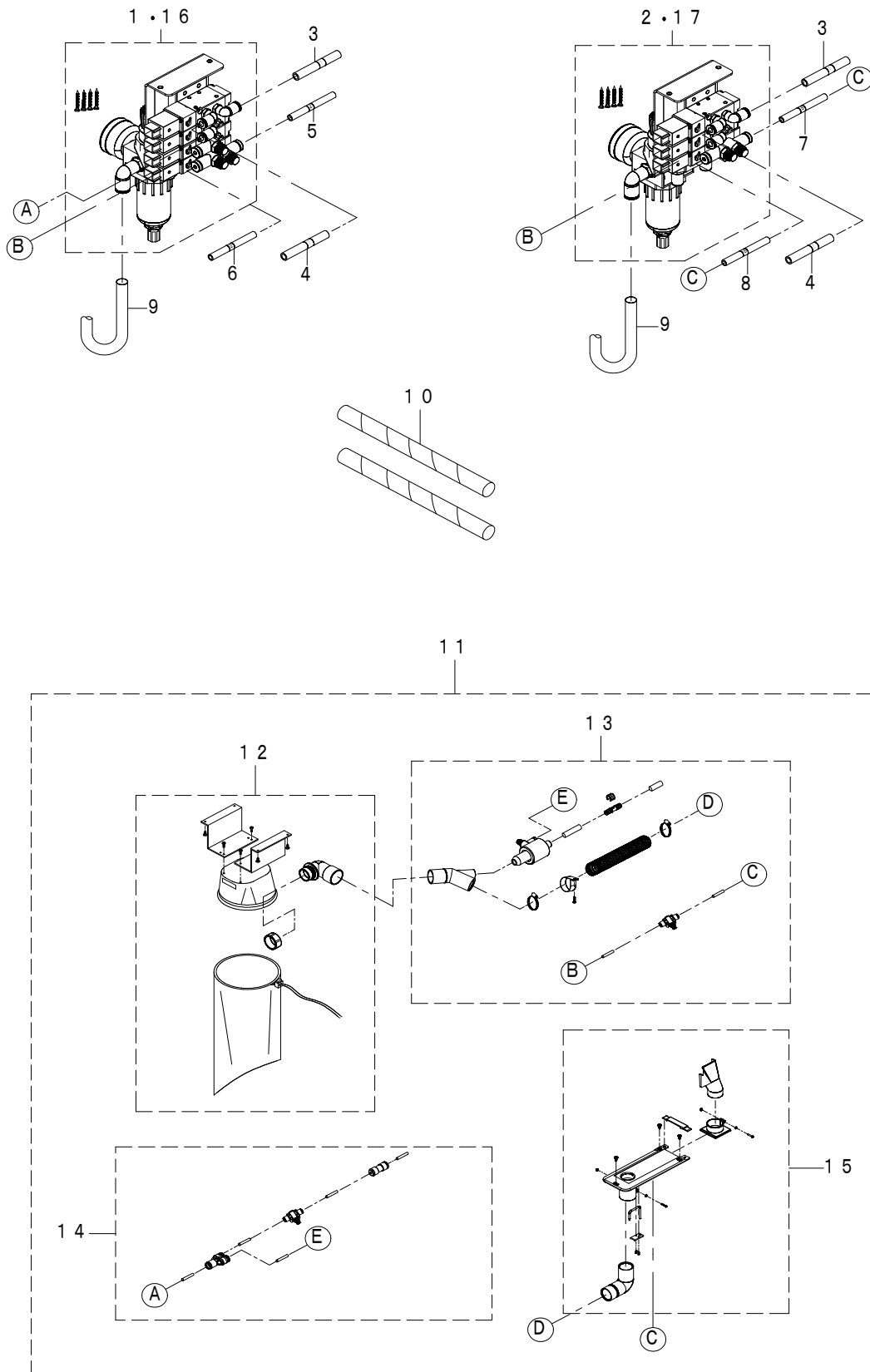
REF.NO	NOTE	PART NO	DESCRIPTION	Qty
1		402-49811	CYLINDER	1
2		402-49812	M_SCREW	2
3		402-49813	CYLINDER_BRACKET	1
4		402-49814	M_SCREW	2
5		402-49815	AIR_CYLINDER_CAP	1
6		402-49816	M_SCREW	2
7		700-00458	NUT	2
8		402-49818	P_F_ARM_BRACKET	1

33. THREAD TRIMMER COMPONENTS



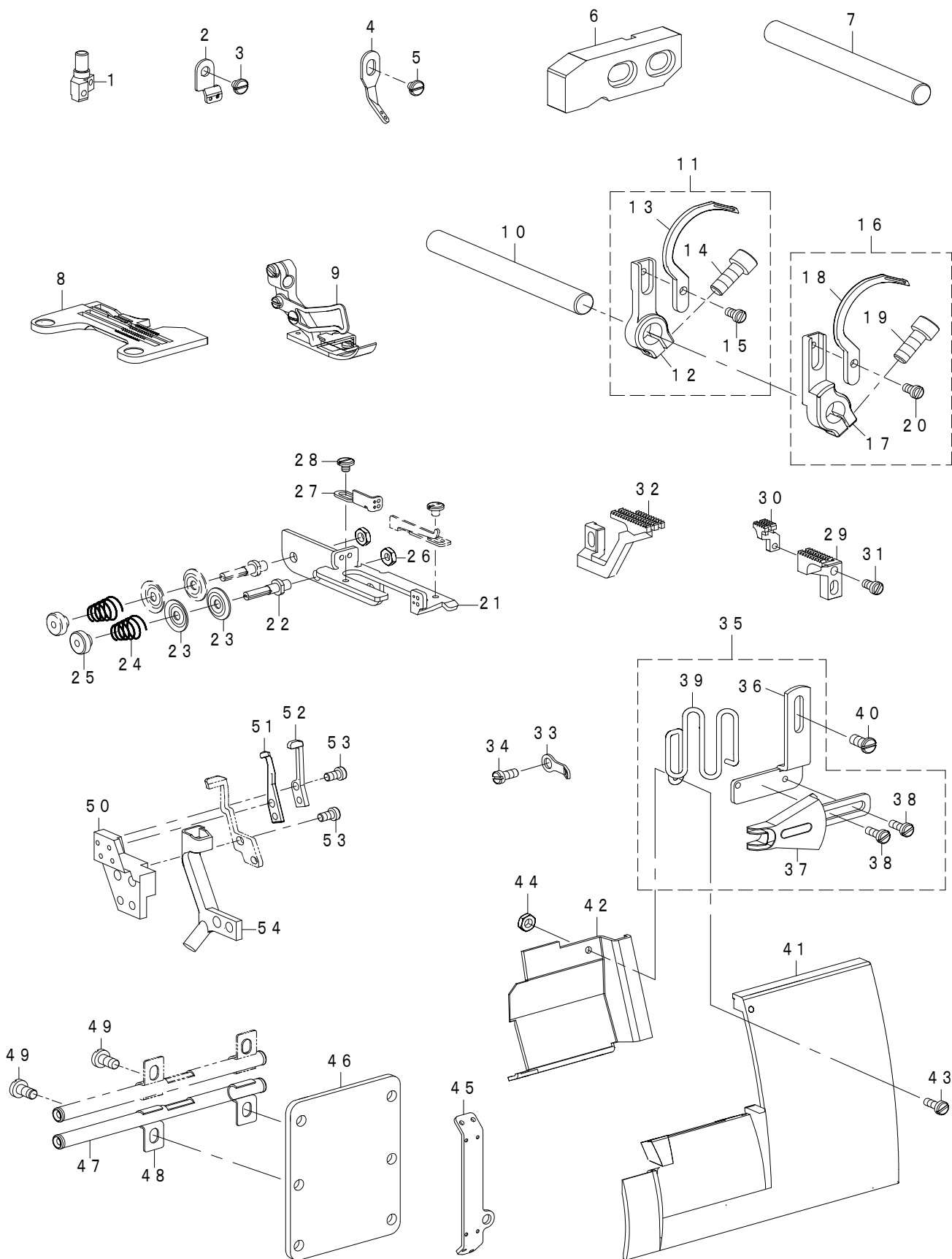
REF.NO	NOTE	PART NO	DESCRIPTION	Qty
1	#01	402-49819	TRIMMER_ASM_DD22	1
2	#02	402-49820	TRIMMER_ASM_DD23	1
3		402-49821	LABEL	1
4		402-49822	TRIMMER_BRACKET_DD23	1
5		402-55754	M_SCREW	2
6		402-49823	SENSOR_BRACKET	1
7		402-49824	M_SCREW	1
8		402-49825	SAFETY_SENSOR	1
9		402-49826	M_SCREW	1
10		402-49827	SAFETY_SENSOR_PLATE	1
11		402-49828	M_SCREW	1
12		402-49829	WASHER	1
13		402-49830	FINGER_GUARD	1
14		700-00538	E_SCREW	1
15	#01	402-49831	T_DISC_SEPARATOR_ASM	1
16	#01	402-49832	CYLINDER	(1)
17	#01	402-49833	STOPPER	(1)
18	#01	402-49834	THD_PULL_OFF_BAR HOLDER	(1)
19	#01	402-49835	CYLINDER_BRACKET	(1)
20	#01	402-49836	THD_PULL_OFF_PLATE	(1)
21	#01	402-49837	THD_PULL_OFF_COVER	(1)
22	#01	402-49838	E_SCREW	(2)
23	#01	402-49839	NUT	(2)
24	#02	402-49840	CYLINDER	1
25	#02	402-55753	M_SCREW	2
26	#02	402-49841	CYLINDER_BRACKET	1
27	#02	402-49842	M_SCREW	2
28	#01	402-55788	PRESSER_FOOT_BLOW	1
		NOTE	#01....FOE DD22 #02....FOR DD23	

34. DUST COLLECTOR



REF.NO	NOTE	PART NO	DESCRIPTION	Qty
1	#01	402-49845	FILTER_REGULATOR_ASM. DD22)	1
2	#02	402-49846	FILTER_REGULATOR_ASM. DD23)	1
3		402-49847	TUBE	1
4		402-55792	TUBE	1
5	#01	402-55796	TUBE	1
6	#01	402-55799	TUBE	1
7	#02	402-55793	TUBE	1
8	#02	402-49848	TUBE	1
9		402-49849	TUBE	1
10		402-49851	TUBE	2
11		402-49852	DUST_COLLECTOR_ASM.	1
12		402-49853	DUST_BAG_ASM	(1)
13		402-49854	DUST_PIPE_ASM	(1)
14	#01	402-49855	DUST_PIPE_ASM DD22)	(1)
15		402-49856	SUCTION_PIPE_ASM.	(1)
16	#03	402-61958	FILTER_REGULATOR_ASM.DD22CE	1
17	#04	402-61959	FILTER_REGULATOR_ASM.DD23CE	1
		NOTE	#01....FOE DD22	
			#02....FOR DD23	
			#03....FOE DD22/CE	
			#04....FOR DD23/CE	

35. MO-6845 COMPONENTS



REF.NO	NOTE	PART NO	DESCRIPTION	Qty
1		401-59841	NEEDLE CLAMP	1
2		401-59646	THREAD GUIDE PLATE	1
3		700-00513	E_SCREW	1
4		700-00168	THREAD GUIDE PLATE	1
5		700-00513	E_SCREW	1
6		401-59860	UPPER_LOOPER HOLDER	1
7		402-57876	SHAFT	1
8		401-59826	THROAT_PLATE	1
9		401-59845	PRESSER FOOT ASM.	1
10		402-57875	SHAFT	1
11		402-57873	LOOPER	1
12		700-01031	LOOPER HOLDER	1
13		402-47006	LOOPER	1
14		700-01032	M_SCREW	1
15		700-01033	M_SCREW	1
16		402-57874	LOOPER	1
17		700-01034	LOOPER HOLDER	1
18		402-47007	LOOPER	1
19		700-01032	M_SCREW	1
20		700-01035	M_SCREW	1
21		700-01040	BRACKET	1
22		700-00395	THREAD TENSION SHAFT	1
23		700-00392	THREAD GRIP	2
24		700-00394	SPRING	1
25		700-00393	THREAD TENSION KNOB	1
26		700-00452	NUT	1
27		700-01039	THREAD GUIDE PLATE	1
28		700-00571	M_SCREW	1
29		401-59823	FEED DOG	1
30		401-59824	FEED DOG	1
31		700-00572	M_SCREW	1
32		401-59840	FEED DOG	1
33		700-01041	THREAD GUIDE PLATE	1
34		700-00557	E_SCREW	1
35		402-57866	FIXED_PLATE_ASM	1
36		402-57867	FIXED_PLATE	1
37		700-01022	BINDER	1
38		700-00501	E_SCREW	2
39		700-01038	THREAD STAND	1
40		401-93848	E_SCREW	1
41		402-57884	FRONT COVER	1
42		402-57885	FRONT COVER	1
43		401-86050	M_SCREW	1
44		402-21730	NUT	1
45		402-57882	THREAD GUIDE PLATE	1
46		402-57881	COVER	1
47		700-00397	DUCT COMB.	1
48		700-00398	FIXED PLATE	2
49		402-57880	M_SCREW	2
50		402-57878	NEEDLE GUARD	1
51		700-01037	NEEDLE GUARD	1
52		700-01036	NEEDLE GUARD	1
53		700-00497	E_SCREW	4
54		402-57879	TANK	1

NUMERICAL INDEX OF PARTS

PART NO	PAGE	REF NO	PART NO	PAGE	REF NO	PART NO	PAGE	REF NO	PART NO	PAGE	REF NO
*****	2	6	401-59585	6	26	401-59657	12	104	401-59770	32	6
*****	6	25	401-59586	6	32	401-59658	10	32	401-59771	32	7
*****	12	31	401-59587	6	33	401-59665	14	74	401-59772	32	1
*****	12	32	401-59589	6	42	401-59666	14	70	401-59773	32	12
*****	12	33	401-59590	6	30	401-59667	14	78	401-59774	32	9
*****	12	40	401-59591	6	38	401-59670	14	57	401-59775	32	2
*****	12	41	401-59592	6	39	401-59671	14	29	401-59776	32	8
*****	12	42	401-59593	6	27	401-59672	14	30	401-59777	32	11
*****	12	62	401-59594	62	20	401-59673	14	35	401-59778	32	10
*****	14	56	401-59595	60	7	401-59674	14	34	401-59779	32	13
*****	24	1	401-59595	62	25	401-59675	14	14	401-59780	42	10
*****	24	49	401-59596	60	9	401-59676	14	72	401-59781	42	11
*****	24	50	401-59596	62	27	401-59676	24	33	401-59785	46	2
*****	28	54	401-59597	60	2	401-59677	14	73	401-59787	46	16
*****	28	55	401-59598	60	32	401-59678	14	10	401-59788	46	17
			401-59599	60	37	401-59679	14	36	401-59789	46	10
MDC-270B0800	46	22	401-59603	8	47	401-59680	14	37	401-59790	46	11
MDC-270B0900	46	23	401-59604	8	3	401-59681	14	15	401-59791	46	12
MDC-270B1100	46	21	401-59605	8	4	401-59682	14	16	401-59792	46	15
MDC-270B1400	46	24	401-59606	8	1	401-59683	14	61	401-59793	46	9
MDC-270B1600	46	25	401-59607	8	2	401-59684	14	8	401-59794	46	7
MDC-270B2100	46	26	401-59608	8	12	401-59684	16	22	401-59795	46	8
			401-59609	60	39	401-59686	14	1	401-59796	46	6
SD-0600266-TP	8	51	401-59609	62	42	401-59687	14	2	401-59810	50	4
			401-59613	54	24	401-59689	16	17	401-59811	50	12
400-25294	8	48	401-59615	10	1	401-59690	16	35	401-59812	50	15
401-59532	2	24	401-59617	10	8	401-59692	16	1	401-59813	50	13
401-59533	2	25	401-59618	10	7	401-59693	16	16	401-59814	50	14
401-59534	2	3	401-59619	10	21	401-59694	16	2	401-59815	50	7
401-59537	2	26	401-59620	10	30	401-59700	22	25	401-59817	50	6
401-59538	2	27	401-59623	10	36	401-59701	22	27	401-59817	56	72
401-59539	2	28	401-59624	12	90	401-59702	22	16	401-59817	56	73
401-59540	2	29	401-59624	12	96	401-59703	22	17	401-59817	56	74
401-59541	62	50	401-59624	12	103	401-59703	28	27	401-59817	56	75
401-59542	62	51	401-59625	12	65	401-59704	22	18	401-59817	56	77
401-59543	62	52	401-59627	12	74	401-59704	28	30	401-59817	58	48
401-59544	62	53	401-59629	12	27	401-59705	22	19	401-59820	56	18
401-59545	62	54	401-59629	22	38	401-59706	22	20	401-59820	56	19
401-59546	62	55	401-59630	12	53	401-59707	22	1	401-59821	56	28
401-59547	58	49	401-59631	12	75	401-59709	22	32	401-59821	56	29
401-59548	58	50	401-59632	12	78	401-59715	14	76	401-59821	56	32
401-59549	58	54	401-59632	12	88	401-59715	24	35	401-59821	56	33
401-59551	4	31	401-59632	12	94	401-59716	24	15	401-59821	56	121
401-59552	4	33	401-59632	12	101	401-59717	24	13	401-59822	56	20
401-59553	4	34	401-59632	12	109	401-59718	24	56	401-59822	56	21
401-59554	4	35	401-59633	12	83	401-59719	24	57	401-59822	56	22
401-59558	4	13	401-59634	12	79	401-59725	54	44	401-59822	56	23
401-59559	4	14	401-59634	12	89	401-59726	26	26	401-59822	56	24
401-59560	4	15	401-59634	12	95	401-59727	26	19	401-59822	56	25
401-59562	4	6	401-59634	12	102	401-59728	26	18	401-59822	56	26
401-59563	4	7	401-59634	12	110	401-59729	26	16	401-59823	56	34
401-59563	44	10	401-59636	12	81	401-59732	26	17	401-59823	70	29
401-59564	4	10	401-59636	12	91	401-59734	26	10	401-59824	56	51
401-59565	4	11	401-59636	12	97	401-59741	28	3	401-59824	70	30
401-59566	62	35	401-59636	12	105	401-59742	28	4	401-59825	56	2
401-59567	60	5	401-59636	12	112	401-59743	28	7	401-59826	56	17
401-59567	60	35	401-59640	12	77	401-59744	28	5	401-59826	70	8
401-59567	62	23	401-59641	12	87	401-59745	28	1	401-59827	56	1
401-59567	62	38	401-59642	12	93	401-59746	28	2	401-59828	56	3
401-59568	62	40	401-59642	12	99	401-59748	28	31	401-59828	56	4
401-59569	60	15	401-59643	12	107	401-59749	28	26	401-59828	56	5
401-59569	60	45	401-59644	12	76	401-59750	28	33	401-59829	56	6
401-59569	62	33	401-59645	12	1	401-59751	28	42	401-59829	56	7
401-59569	62	48	401-59646	12	10	401-59752	28	38	401-59829	56	8
401-59572	6	3	401-59646	70	2	401-59753	28	10	401-59829	56	9
401-59572	6	4	401-59647	12	16	401-59754	28	35	401-59830	56	11
401-59573	6	2	401-59648	12	18	401-59760	30	8	401-59831	56	120
401-59575	6	7	401-59649	12	64	401-59761	30	26	401-59832	56	16
401-59576	6	6	401-59650	12	6	401-59762	30	23	401-59833	56	15
401-59576	50	3	401-59651	12	17	401-59763	30	39	401-59834	56	12
401-59576	50	11	401-59652	12	48	401-59764	30	32	401-59836	56	52
401-59578	6	13	401-59653	12	54	401-59765	30	50	401-59836	56	53
401-59579	6	11	401-59654	12	55	401-59765	30	53	401-59837	56	54
401-59580	6	18	401-59655	12	56	401-59768	32	4	401-59837	56	55
401-59581	6	19	401-59656	12	100	401-59769	32	5	401-59837	56	56

NUMERICAL INDEX OF PARTS

PART NO	PAGE	REF NO	PART NO	PAGE	REF NO	PART NO	PAGE	REF NO	PART NO	PAGE	REF NO
401-59837	56	57	401-64034	62	10	401-78586	54	26	402-35245	32	17
401-59837	56	58	401-64035	52	24	401-78587	54	34	402-35247	46	1
401-59837	56	59	401-64035	62	16	401-78588	54	31	402-35250	2	32
401-59837	56	60	401-64036	52	35	401-78592	54	42	402-42703	46	29
401-59838	56	62	401-64036	62	12	401-78592	56	98	402-42705	46	28
401-59839	56	63	401-64037	52	30	401-78594	54	37	402-44874	48	6
401-59839	56	66	401-64037	62	6	401-78594	56	13	402-44875	48	1
401-59839	56	67	401-64038	52	36	401-78595	54	41	402-47006	70	13
401-59839	56	123	401-64038	62	13	401-78595	56	81	402-47007	70	18
401-59840	56	68	401-64039	52	29	401-78595	62	1	402-49102	48	5
401-59840	70	32	401-64039	62	5	401-78596	46	27	402-49787	4	1
401-59841	56	118	401-64041	60	22	401-78596	54	49	402-49788	4	2
401-59841	70	1	401-64042	52	27	401-78597	54	38	402-49789	4	3
401-59842	56	70	401-64042	62	18	401-78597	56	30	402-49790	4	9
401-59842	58	17	401-64043	52	23	401-78598	54	39	402-49791	4	17
401-59843	56	76	401-64043	62	17	401-78598	56	47	402-49792	4	18
401-59843	58	32	401-64044	52	7	401-78599	54	40	402-49793	4	19
401-59844	56	69	401-64044	56	61	401-78599	56	64	402-49794	4	20
401-59844	58	1	401-64045	52	8	401-78600	54	48	402-49795	4	21
401-59845	56	85	401-64045	56	65	401-78605	54	3	402-49797	4	23
401-59845	62	49	401-64048	52	1	401-78606	54	6	402-49798	4	26
401-59845	70	9	401-64049	52	2	401-78607	54	7	402-49799	4	27
401-59847	56	84	401-64049	56	10	401-78608	54	14	402-49802	4	28
401-59847	62	34	401-64049	56	14	401-78609	54	8	402-49803	6	5
401-59848	56	83	401-64050	52	4	401-78610	54	33	402-49804	6	8
401-59848	62	19	401-64050	56	27	401-78611	54	28	402-49804	50	2
401-59849	56	80	401-64051	52	6	401-78612	54	30	402-49805	6	21
401-59849	56	124	401-64052	52	5	401-78613	54	29	402-49806	12	58
401-59849	60	1	401-64052	56	31	401-78615	54	43	402-49807	12	60
401-59850	56	79	401-64053	52	13	401-78616	54	18	402-49808	44	2
401-59850	56	131	401-64053	60	30	401-78617	54	47	402-49810	48	2
401-59850	60	31	401-64055	52	3	401-79483	34	1	402-49811	64	1
401-59851	58	18	401-64055	56	111	401-79484	36	1	402-49812	64	2
401-59852	58	19	401-64056	12	113	401-79485	38	1	402-49813	64	3
401-59853	58	2	401-64056	52	9	401-79486	40	1	402-49814	64	4
401-59853	58	33	401-69857	56	71	401-79596	14	3	402-49815	64	5
401-59853	58	65	401-69857	58	64	401-79596	16	18	402-49816	64	6
401-59854	58	34	401-69858	56	127	401-79597	14	4	402-49818	64	8
401-59855	52	34	401-69860	56	128	401-79597	14	5	402-49819	66	1
401-59855	58	9	401-69861	56	130	401-79597	16	20	402-49820	66	2
401-59855	58	40	401-70670	28	12	401-79597	16	21	402-49821	66	3
401-59855	58	56	401-71278	46	5	401-79600	54	27	402-49822	66	4
401-59855	58	72	401-72524	58	66	401-86050	70	43	402-49823	66	6
401-59855	62	11	401-72525	2	4	401-93848	70	40	402-49824	66	7
401-59856	58	16	401-72527	12	39	402-15705	48	7	402-49825	66	8
401-59856	58	47	401-72528	26	11	402-16747	44	4	402-49826	66	9
401-59856	58	63	401-72529	26	12	402-16748	44	6	402-49827	66	10
401-59856	58	79	401-72530	28	46	402-16751	44	8	402-49828	66	11
401-59857	58	3	401-72531	28	56	402-16752	44	9	402-49829	66	12
401-59860	70	6	401-72535	14	25	402-16753	44	11	402-49830	66	13
401-64011	8	45	401-76583	14	38	402-16754	44	12	402-49831	66	15
401-64012	8	44	401-77859	14	75	402-16756	44	1	402-49832	66	16
401-64021	52	10	401-78003	26	9	402-21730	70	44	402-49833	66	17
401-64021	56	78	401-78005	28	57	402-35212	2	23	402-49834	66	18
401-64021	60	16	401-78006	28	44	402-35213	2	30	402-49835	66	19
401-64022	60	17	401-78007	28	45	402-35214	2	31	402-49836	66	20
401-64024	52	12	401-78084	14	6	402-35215	6	16	402-49837	66	21
401-64024	60	18	401-78084	16	19	402-35216	6	17	402-49838	66	22
401-64025	60	20	401-78548	12	82	402-35218	6	22	402-49839	66	23
401-64026	52	14	401-78549	12	98	402-35219	6	43	402-49840	66	24
401-64026	60	19	401-78549	12	106	402-35220	8	23	402-49841	66	26
401-64027	52	15	401-78550	12	92	402-35221	8	29	402-49842	66	27
401-64027	60	21	401-78550	12	108	402-35222	8	24	402-49845	68	1
401-64028	52	21	401-78574	54	1	402-35223	8	26	402-49846	68	2
401-64028	60	29	401-78575	54	2	402-35224	8	27	402-49847	68	3
401-64029	52	22	401-78576	54	4	402-35225	8	28	402-49848	68	8
401-64029	56	82	401-78577	54	9	402-35226	8	22	402-49849	68	9
401-64029	62	2	401-78578	54	11	402-35227	30	1	402-49851	68	10
401-64030	62	3	401-78579	54	12	402-35229	30	2	402-49852	68	11
401-64031	62	7	401-78580	54	13	402-35230	30	6	402-49853	68	12
401-64032	52	28	401-78581	54	19	402-35231	30	14	402-49854	68	13
401-64032	62	4	401-78582	54	22	402-35232	30	7	402-49855	68	14
401-64033	52	25	401-78583	54	20	402-35233	30	9	402-49856	68	15
401-64033	62	15	401-78584	54	15	402-35234	30	11	402-54796	48	10
401-64034	52	33	401-78585	54	36	402-35238	48	3	402-55753	66	25

NUMERICAL INDEX OF PARTS

PART NO	PAGE	REF NO	PART NO	PAGE	REF NO	PART NO	PAGE	REF NO	PART NO	PAGE	REF NO
402-55754	66	5	700-00174	12	11	700-00215	40	33	700-00295	28	23
402-55783	4	8	700-00175	16	10	700-00216	34	14	700-00297	28	47
402-55784	4	22	700-00176	28	50	700-00216	36	33	700-00301	28	41
402-55785	4	24	700-00177	38	37	700-00216	38	33	700-00302	28	40
402-55786	4	25	700-00177	40	40	700-00216	40	32	700-00303	28	51
402-55787	4	37	700-00178	34	35	700-00217	34	15	700-00304	58	13
402-55788	66	28	700-00178	36	37	700-00217	36	32	700-00304	58	29
402-55792	68	4	700-00179	34	2	700-00217	38	32	700-00304	58	44
402-55793	68	7	700-00179	36	2	700-00217	40	31	700-00304	58	60
402-55796	68	5	700-00179	38	2	700-00218	34	16	700-00304	58	76
402-55799	68	6	700-00179	40	2	700-00218	36	28	700-00309	28	13
402-57866	70	35	700-00180	34	3	700-00218	38	28	700-00312	30	17
402-57867	70	36	700-00180	36	3	700-00218	40	27	700-00314	8	41
402-57873	70	11	700-00180	38	3	700-00219	34	17	700-00317	18	3
402-57874	70	16	700-00180	40	3	700-00219	36	22	700-00317	18	36
402-57875	70	10	700-00181	34	4	700-00219	38	22	700-00317	24	45
402-57876	70	7	700-00181	36	4	700-00219	40	21	700-00318	30	41
402-57878	70	50	700-00181	38	4	700-00222	6	15	700-00322	30	49
402-57879	70	54	700-00181	40	4	700-00229	26	13	700-00322	30	62
402-57880	70	49	700-00182	34	5	700-00230	26	1	700-00323	30	10
402-57881	70	46	700-00182	36	5	700-00235	26	2	700-00323	30	66
402-57882	70	45	700-00182	38	5	700-00236	26	8	700-00324	30	60
402-57884	70	41	700-00182	40	5	700-00237	26	4	700-00326	30	21
402-57885	70	42	700-00182	40	35	700-00238	56	88	700-00328	30	19
402-61292	48	8	700-00183	34	6	700-00238	56	89	700-00332	42	7
402-61958	68	16	700-00183	36	6	700-00238	56	90	700-00334	4	5
402-61959	68	17	700-00183	38	6	700-00238	56	91	700-00335	12	70
402-62046	48	9	700-00183	40	6	700-00238	56	92	700-00336	12	67
402-66429	8	50	700-00183	40	34	700-00238	56	95	700-00337	12	66
402-66430	8	49	700-00184	36	7	700-00238	56	96	700-00338	42	5
			700-00184	38	7	700-00238	56	99	700-00339	42	8
700-00098	50	16	700-00185	36	8	700-00238	56	100	700-00339	42	14
700-00130	8	14	700-00185	38	8	700-00238	56	101	700-00340	42	4
700-00131	22	14	700-00186	34	7	700-00238	56	125	700-00342	14	64
700-00131	22	56	700-00186	36	9	700-00238	56	132	700-00343	16	33
700-00131	28	32	700-00186	38	9	700-00239	14	24	700-00344	22	3
700-00132	24	58	700-00186	40	7	700-00240	14	22	700-00345	22	4
700-00133	24	14	700-00187	40	8	700-00241	14	26	700-00346	18	4
700-00134	10	18	700-00188	34	8	700-00243	14	28	700-00346	18	37
700-00135	24	23	700-00188	36	10	700-00246	14	63	700-00346	24	46
700-00136	6	12	700-00188	38	10	700-00247	14	62	700-00347	26	14
700-00137	22	53	700-00188	40	9	700-00248	14	39	700-00348	42	12
700-00138	24	20	700-00189	34	9	700-00251	14	18	700-00349	22	5
700-00139	18	2	700-00189	36	11	700-00253	14	11	700-00349	28	59
700-00140	22	2	700-00189	38	11	700-00254	14	9	700-00350	14	55
700-00141	10	35	700-00189	40	10	700-00257	8	39	700-00350	54	45
700-00141	24	25	700-00190	34	10	700-00258	30	46	700-00351	18	22
700-00141	28	6	700-00190	36	12	700-00259	8	38	700-00353	22	15
700-00141	28	16	700-00190	38	12	700-00260	30	45	700-00354	34	18
700-00142	28	8	700-00190	40	11	700-00261	30	29	700-00354	36	14
700-00142	28	11	700-00191	34	11	700-00262	30	30	700-00354	38	14
700-00143	8	34	700-00191	36	35	700-00263	42	2	700-00354	40	13
700-00144	30	15	700-00191	38	35	700-00264	42	1	700-00355	28	34
700-00145	8	19	700-00191	40	38	700-00265	42	6	700-00356	24	29
700-00145	8	32	700-00192	34	12	700-00266	10	11	700-00356	48	4
700-00146	30	33	700-00192	36	13	700-00267	10	10	700-00357	18	5
700-00147	24	19	700-00192	38	13	700-00268	14	42	700-00358	22	57
700-00148	30	51	700-00192	40	12	700-00269	26	3	700-00359	20	5
700-00148	30	52	700-00193	14	32	700-00270	16	29	700-00359	50	10
700-00149	8	35	700-00194	14	51	700-00270	18	28	700-00360	44	5
700-00151	24	53	700-00195	14	53	700-00273	30	34	700-00361	24	10
700-00152	24	54	700-00196	14	59	700-00275	22	29	700-00362	10	17
700-00157	30	24	700-00197	14	45	700-00276	22	28	700-00363	2	1
700-00158	30	25	700-00198	14	46	700-00277	22	34	700-00365	2	2
700-00159	30	28	700-00199	16	15	700-00280	24	11	700-00369	22	23
700-00160	30	27	700-00200	14	52	700-00282	22	40	700-00370	22	22
700-00161	6	14	700-00201	14	50	700-00283	22	55	700-00372	22	6
700-00162	22	33	700-00202	14	44	700-00284	22	52	700-00373	22	7
700-00164	12	7	700-00203	12	84	700-00286	22	54	700-00374	24	4
700-00168	12	22	700-00211	12	80	700-00288	22	43	700-00375	24	5
700-00168	70	4	700-00211	12	111	700-00289	22	42	700-00379	22	8
700-00169	12	19	700-00213	12	85	700-00291	28	39	700-00380	16	6
700-00171	12	13	700-00215	34	13	700-00292	28	20	700-00380	18	24
700-00172	20	2	700-00215	36	34	700-00293	28	17	700-00381	30	35
700-00173	12	3	700-00215	38	34	700-00294	28	22	700-00382	30	36

NUMERICAL INDEX OF PARTS

PART NO	PAGE	REF NO	PART NO	PAGE	REF NO	PART NO	PAGE	REF NO	PART NO	PAGE	REF NO
700-00383	20	22	700-00454	38	29	700-00500	60	23	700-00522	10	15
700-00384	20	9	700-00454	38	30	700-00500	60	28	700-00522	14	67
700-00385	20	25	700-00454	40	14	700-00500	60	44	700-00522	14	77
700-00386	20	24	700-00454	40	25	700-00500	62	14	700-00522	16	38
700-00387	20	6	700-00454	40	28	700-00500	62	32	700-00522	24	18
700-00388	20	16	700-00454	40	29	700-00500	62	47	700-00522	24	34
700-00389	20	17	700-00455	34	20	700-00500	62	61	700-00522	24	37
700-00390	20	18	700-00455	36	16	700-00501	14	47	700-00522	26	7
700-00391	20	11	700-00455	38	16	700-00501	14	54	700-00522	26	27
700-00392	20	12	700-00455	40	15	700-00501	70	38	700-00522	28	36
700-00392	70	23	700-00456	34	21	700-00502	22	44	700-00522	28	53
700-00393	20	13	700-00456	36	23	700-00503	10	33	700-00522	30	67
700-00393	70	25	700-00456	38	23	700-00503	22	39	700-00522	54	35
700-00394	20	14	700-00456	40	22	700-00504	14	58	700-00523	22	21
700-00394	70	24	700-00458	24	30	700-00505	12	57	700-00524	26	37
700-00395	20	15	700-00458	28	19	700-00505	16	11	700-00525	16	13
700-00395	70	22	700-00458	28	29	700-00505	52	19	700-00525	18	29
700-00396	20	3	700-00458	64	7	700-00505	52	31	700-00526	12	71
700-00397	20	1	700-00459	44	7	700-00505	58	10	700-00526	32	15
700-00397	70	47	700-00460	8	13	700-00505	58	26	700-00527	30	65
700-00398	20	4	700-00461	18	16	700-00505	58	41	700-00528	4	12
700-00398	70	48	700-00462	18	18	700-00505	58	57	700-00528	28	37
700-00399	26	30	700-00463	18	6	700-00505	58	73	700-00529	2	9
700-00399	46	20	700-00464	18	7	700-00505	60	4	700-00529	2	22
700-00400	26	31	700-00465	18	15	700-00505	60	26	700-00530	24	52
700-00401	26	38	700-00466	18	17	700-00505	60	34	700-00531	16	7
700-00402	26	28	700-00467	18	8	700-00505	62	8	700-00531	18	25
700-00403	26	33	700-00469	12	44	700-00505	62	22	700-00532	30	13
700-00405	16	12	700-00470	18	31	700-00505	62	37	700-00532	30	16
700-00406	16	4	700-00471	18	30	700-00505	62	59	700-00532	30	40
700-00407	16	3	700-00472	18	35	700-00506	16	14	700-00533	30	37
700-00409	16	32	700-00473	18	26	700-00508	8	21	700-00535	8	10
700-00410	16	28	700-00474	18	23	700-00508	18	27	700-00537	60	10
700-00410	16	31	700-00475	18	20	700-00508	24	55	700-00537	60	40
700-00410	18	34	700-00476	18	21	700-00508	54	46	700-00537	62	28
700-00410	24	32	700-00477	18	33	700-00509	24	2	700-00537	62	43
700-00413	16	25	700-00478	18	9	700-00509	24	51	700-00537	62	58
700-00414	16	37	700-00479	18	1	700-00510	26	15	700-00538	14	31
700-00415	16	24	700-00480	60	3	700-00511	16	9	700-00538	28	52
700-00416	16	36	700-00480	60	33	700-00512	22	13	700-00538	52	20
700-00422	24	39	700-00480	62	21	700-00513	12	2	700-00538	52	32
700-00423	24	40	700-00480	62	36	700-00513	12	20	700-00538	58	14
700-00428	30	20	700-00481	6	28	700-00513	12	86	700-00538	58	30
700-00429	24	41	700-00490	4	4	700-00513	20	10	700-00538	58	45
700-00430	8	31	700-00495	22	10	700-00513	70	3	700-00538	58	61
700-00431	8	30	700-00496	52	18	700-00513	70	5	700-00538	58	77
700-00432	10	14	700-00496	60	8	700-00514	18	10	700-00538	60	13
700-00433	24	17	700-00496	60	24	700-00514	18	38	700-00538	60	27
700-00433	24	36	700-00496	60	38	700-00514	24	47	700-00538	60	43
700-00434	26	6	700-00496	62	26	700-00515	2	7	700-00538	62	9
700-00435	24	16	700-00496	62	41	700-00515	2	20	700-00538	62	31
700-00436	26	5	700-00496	62	57	700-00515	2	21	700-00538	62	46
700-00437	10	13	700-00497	12	68	700-00515	4	32	700-00538	62	62
700-00438	42	3	700-00497	12	72	700-00515	14	43	700-00538	66	14
700-00443	2	5	700-00497	70	53	700-00515	26	39	700-00542	22	11
700-00445	10	34	700-00498	12	8	700-00515	28	21	700-00543	2	10
700-00446	24	12	700-00498	12	15	700-00516	4	36	700-00544	2	11
700-00448	20	23	700-00498	12	34	700-00516	12	61	700-00545	14	7
700-00449	8	43	700-00498	14	17	700-00517	14	66	700-00545	16	23
700-00450	22	9	700-00498	20	26	700-00517	16	27	700-00547	34	22
700-00452	4	39	700-00498	46	19	700-00517	26	32	700-00547	36	17
700-00452	20	20	700-00498	54	25	700-00518	4	29	700-00547	38	17
700-00452	50	9	700-00499	60	11	700-00518	6	1	700-00547	40	16
700-00452	70	26	700-00499	60	41	700-00518	30	38	700-00547	40	36
700-00453	4	38	700-00499	62	29	700-00519	20	7	700-00548	24	21
700-00454	34	19	700-00499	62	44	700-00520	8	25	700-00549	12	9
700-00454	34	32	700-00500	52	17	700-00520	30	18	700-00549	50	5
700-00454	34	33	700-00500	52	26	700-00521	8	33	700-00550	2	12
700-00454	34	34	700-00500	58	15	700-00521	14	48	700-00550	12	43
700-00454	36	15	700-00500	58	25	700-00521	14	49	700-00550	12	73
700-00454	36	26	700-00500	58	31	700-00521	26	35	700-00552	22	26
700-00454	36	29	700-00500	58	46	700-00521	30	31	700-00554	8	16
700-00454	36	30	700-00500	58	62	700-00522	2	8	700-00555	6	24
700-00454	38	15	700-00500	58	78	700-00522	8	40	700-00555	12	21
700-00454	38	26	700-00500	60	14	700-00522	10	6	700-00555	12	46

NUMERICAL INDEX OF PARTS

PART NO	PAGE	REF NO	PART NO	PAGE	REF NO	PART NO	PAGE	REF NO	PART NO	PAGE	REF NO
700-00557	20	21	700-00590	24	9	700-00667	16	5	700-00754	2	19
700-00557	70	34	700-00590	24	28	700-00669	28	15	700-00757	46	3
700-00558	24	6	700-00590	26	25	700-00670	2	15	700-00758	46	14
700-00558	52	11	700-00592	28	24	700-00671	2	16	700-00759	46	4
700-00558	60	25	700-00593	10	24	700-00672	2	17	700-00761	46	18
700-00559	12	14	700-00593	14	23	700-00673	28	49	700-00763	46	13
700-00560	14	33	700-00593	54	10	700-00676	10	31	700-00782	56	35
700-00561	18	11	700-00593	54	32	700-00676	54	21	700-00782	56	37
700-00561	28	58	700-00598	12	28	700-00677	10	12	700-00782	56	38
700-00562	8	17	700-00600	22	58	700-00678	14	27	700-00782	56	39
700-00563	4	40	700-00601	22	12	700-00679	14	69	700-00782	56	40
700-00563	6	20	700-00602	22	35	700-00681	24	8	700-00782	56	41
700-00564	8	6	700-00603	26	36	700-00682	24	27	700-00782	56	42
700-00565	8	5	700-00604	28	25	700-00683	24	3	700-00782	56	43
700-00565	8	7	700-00605	28	43	700-00684	24	7	700-00782	56	44
700-00566	28	48	700-00608	28	9	700-00685	24	26	700-00782	56	45
700-00567	12	35	700-00609	60	6	700-00686	24	42	700-00782	56	46
700-00569	6	37	700-00609	60	36	700-00688	24	31	700-00782	56	48
700-00570	6	36	700-00609	62	24	700-00689	24	43	700-00782	56	49
700-00571	20	19	700-00609	62	39	700-00694	8	18	700-00782	56	50
700-00571	70	28	700-00611	34	27	700-00694	22	51	700-00782	56	122
700-00572	12	26	700-00611	36	27	700-00695	8	37	700-00782	56	129
700-00572	24	48	700-00611	38	27	700-00696	8	42	700-00784	56	36
700-00572	70	31	700-00611	40	26	700-00697	18	13	700-00798	56	86
700-00573	6	40	700-00612	8	46	700-00698	22	37	700-00798	56	87
700-00575	30	59	700-00613	14	65	700-00699	8	36	700-00798	56	119
700-00576	4	30	700-00614	16	34	700-00700	8	20	700-00799	56	93
700-00576	20	8	700-00615	34	28	700-00701	8	15	700-00799	56	94
700-00576	20	27	700-00615	36	31	700-00703	18	14	700-00799	56	97
700-00577	4	16	700-00615	38	31	700-00704	12	59	700-00801	56	102
700-00577	6	31	700-00615	40	30	700-00707	42	9	700-00801	56	103
700-00577	6	35	700-00616	18	12	700-00710	30	57	700-00802	56	104
700-00578	10	9	700-00617	42	13	700-00711	30	58	700-00802	56	105
700-00578	26	20	700-00618	34	29	700-00712	30	55	700-00802	56	106
700-00579	34	23	700-00618	36	21	700-00713	30	48	700-00802	56	107
700-00579	36	18	700-00618	38	21	700-00714	30	54	700-00802	56	108
700-00579	38	18	700-00618	40	20	700-00715	30	44	700-00802	56	109
700-00579	40	17	700-00619	8	8	700-00716	30	43	700-00802	56	110
700-00580	34	24	700-00620	8	9	700-00717	30	56	700-00803	56	112
700-00580	34	30	700-00626	12	29	700-00720	26	23	700-00803	56	115
700-00580	34	31	700-00627	12	30	700-00721	26	21	700-00803	56	133
700-00580	36	19	700-00628	12	37	700-00728	10	27	700-00804	54	23
700-00580	36	24	700-00629	12	23	700-00728	14	21	700-00804	56	113
700-00580	36	25	700-00630	12	69	700-00728	54	17	700-00804	56	114
700-00580	38	19	700-00631	30	3	700-00729	10	28	700-00804	56	126
700-00580	38	24	700-00632	10	23	700-00729	14	19	700-00805	56	117
700-00580	38	25	700-00633	10	22	700-00729	54	16	700-00806	56	116
700-00580	40	18	700-00635	10	20	700-00731	24	38	700-00807	14	71
700-00580	40	23	700-00636	10	26	700-00732	24	44	700-00812	14	60
700-00580	40	24	700-00637	10	16	700-00733	24	24	700-00813	26	34
700-00581	34	25	700-00638	10	25	700-00734	24	22	700-00820	6	41
700-00581	36	20	700-00639	10	19	700-00735	52	16	700-00822	12	5
700-00581	38	20	700-00640	10	3	700-00735	58	12	700-00827	12	45
700-00581	40	19	700-00643	10	2	700-00735	58	28	700-00828	12	38
700-00581	40	37	700-00646	10	5	700-00735	58	43	700-00831	12	36
700-00582	22	30	700-00652	12	25	700-00735	58	59	700-00832	12	4
700-00582	22	50	700-00653	12	24	700-00735	58	75	700-00833	12	12
700-00582	30	47	700-00654	10	29	700-00735	60	12	700-00834	14	12
700-00583	22	47	700-00657	30	42	700-00735	60	42	700-00841	26	24
700-00584	28	18	700-00657	30	61	700-00735	62	30	700-00842	26	22
700-00584	28	28	700-00657	30	63	700-00735	62	45	700-00845	26	29
700-00586	2	13	700-00657	30	64	700-00735	62	60	700-00847	12	50
700-00587	14	68	700-00658	30	4	700-00736	6	10	700-00848	12	51
700-00588	10	4	700-00658	30	5	700-00737	8	11	700-00849	12	49
700-00588	54	5	700-00658	30	12	700-00738	22	48	700-00850	12	63
700-00589	34	26	700-00658	30	22	700-00739	22	49	700-00859	58	5
700-00589	36	36	700-00658	32	3	700-00740	22	46	700-00859	58	21
700-00589	38	36	700-00658	32	14	700-00741	22	45	700-00859	58	36
700-00589	40	39	700-00659	2	14	700-00744	6	34	700-00859	58	52
700-00590	14	13	700-00660	6	29	700-00745	6	23	700-00859	58	68
700-00590	16	26	700-00661	14	20	700-00748	14	41	700-00860	58	6
700-00590	16	39	700-00662	22	36	700-00749	14	40	700-00860	58	22
700-00590	18	19	700-00664	28	14	700-00751	16	8	700-00860	58	37
700-00590	18	32	700-00665	22	41	700-00752	16	30	700-00860	58	53
700-00590	22	24	700-00666	22	31	700-00753	2	18	700-00860	58	69

NUMERICAL INDEX OF PARTS

PART NO	PAGE	REF NO	PART NO	PAGE	REF NO	PART NO	PAGE	REF NO	PART NO	PAGE	REF NO
700-00861	58	7									
700-00861	58	23									
700-00861	58	38									
700-00861	58	70									
700-00862	58	4									
700-00862	58	20									
700-00862	58	35									
700-00862	58	51									
700-00862	58	67									
700-00877	58	11									
700-00877	58	27									
700-00877	58	42									
700-00877	58	58									
700-00877	58	74									
700-00877	62	56									
700-00879	58	8									
700-00879	58	24									
700-00879	58	39									
700-00879	58	55									
700-00879	58	71									
700-00884	44	3									
700-00885	12	52									
700-00887	12	47									
700-00908	6	9									
700-00908	50	1									
700-00908	50	8									
700-01022	70	37									
700-01031	70	12									
700-01032	70	14									
700-01032	70	19									
700-01033	70	15									
700-01034	70	17									
700-01035	70	20									
700-01036	70	52									
700-01037	70	51									
700-01038	70	39									
700-01039	70	27									
700-01040	70	21									
700-01041	70	33									
700-01060	32	16									