

# ***PARTS LIST***

## **MO-6800S/DD10 PARTS LIST**

下記 URL より、便利な検索機能のついた Web Parts List をご利用頂けます。

ご利用には会員登録が必要です。(無料)

<https://www.juki.co.jp/partslist/>

You can use a Web Parts List with a convenient search function from the URL below. To use this website, free membership registration is required.

<https://www.juki.co.jp/partslist/>

## HOW TO MAKE USE OF THIS PARTS LIST

### 1.Explanation of codes

1)"\*" mark.....means this part is changed from the previous parts book.

As to the details of the change,refer to "List for information of change".

2)"#01".....refer to "Note" explanation at bottom of page.

### 2.Codes on the "Qty" column

• Each numeral indicates the number of parts required.

• "0.1" and "2.5" indicate the length (in meters) of the respective parts.

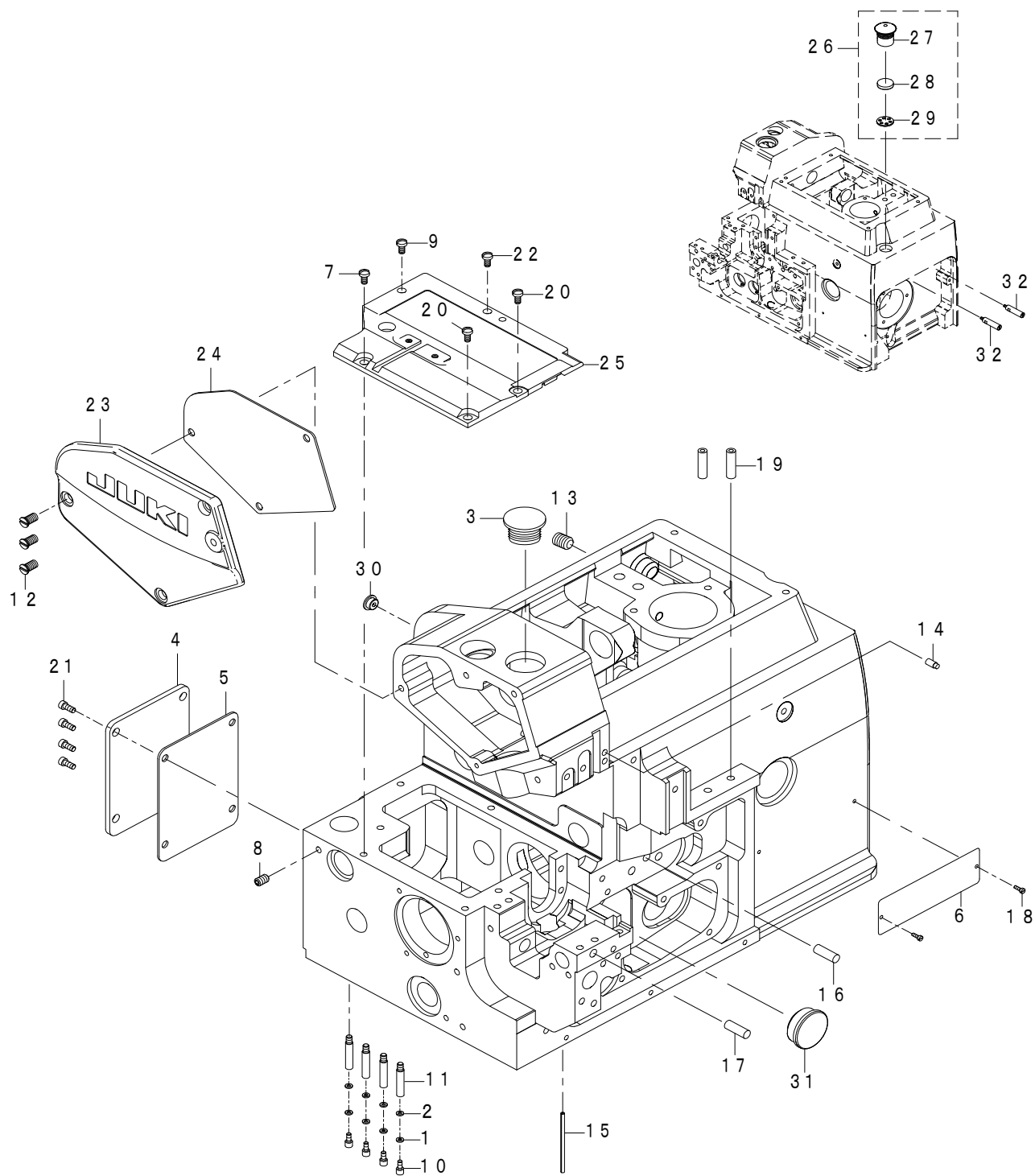
3.Parentheses mean that the corresponding part is a subpart that constructs an assembly part.

4.Dotted lines on the Figures indicate assembly parts.

# CONTENTS

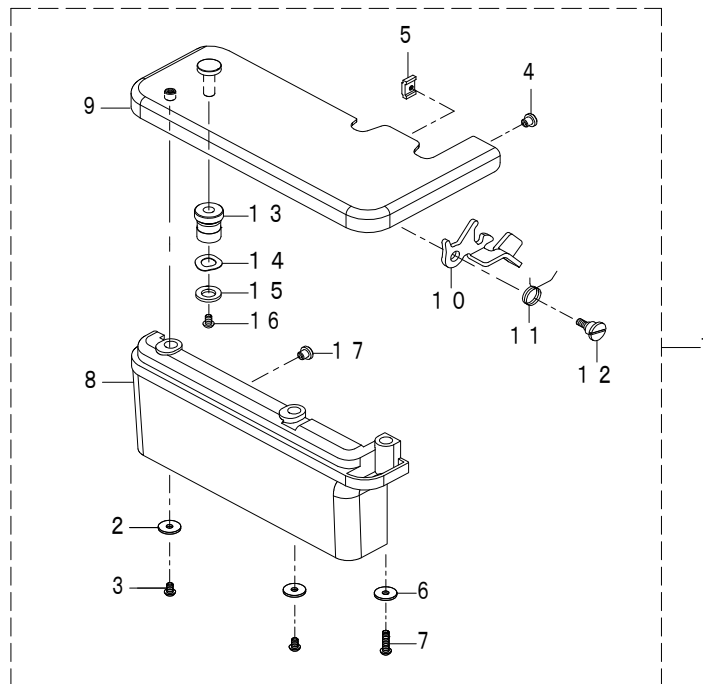
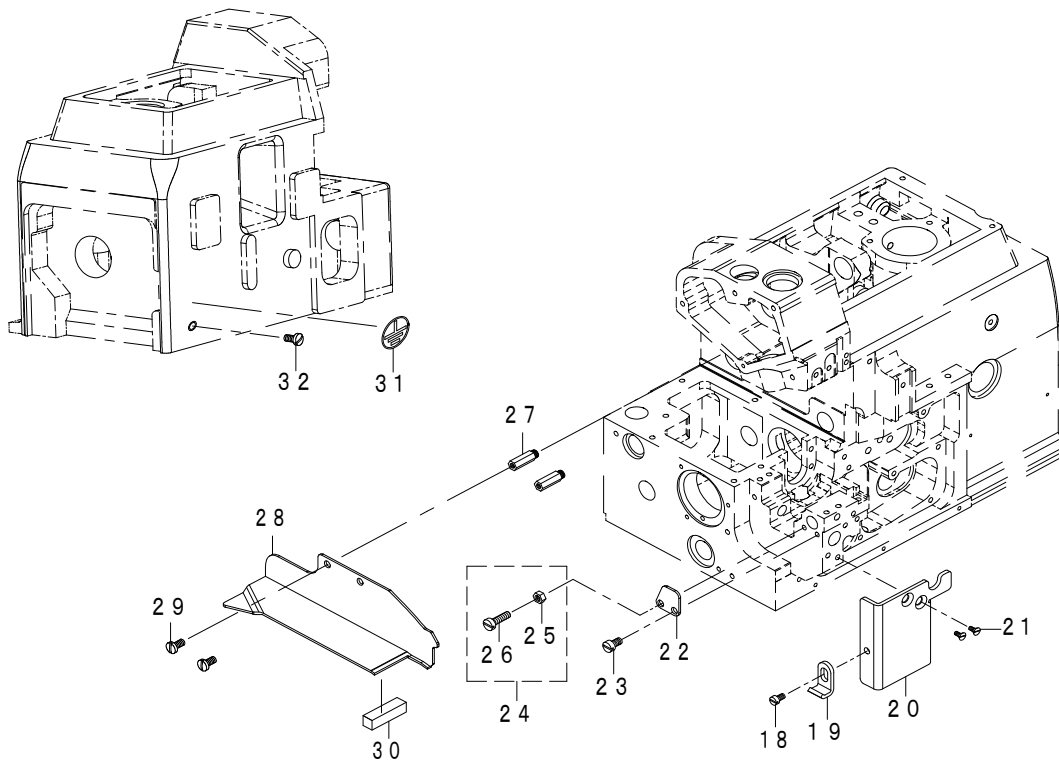
1. MISCELLANEOUS COVER COMPONENTS (1).....	1
2. MISCELLANEOUS COVER COMPONENTS (2).....	3
3. MISCELLANEOUS COVER COMPONENTS (3).....	5
4. CRANKSHAFT COMPONENTS .....	7
5. NEEDLE DRIVING SHAFT COMPONENTS .....	9
6. THREAD TENSION COMPONENTS.....	11
7. UPPER LOOPER COMPONENTS .....	13
8. LOWER LOOPER COMPONENTS .....	15
9. CHAIN LOOPER COMPONENTS (1).....	17
10. CHAIN LOOPER COMPONENTS (2).....	19
11. FEED MECHANISM COMPONENTS (1).....	21
12. FEED MECHANISM COMPONENTS (2).....	23
13. KNIFE COMPONENTS .....	25
14. PRESSER FOOT COMPONENTS .....	27
15. LUBRICATION MECHANISM COMPONENTS .....	29
16. NEEDLE COOLER UNIT COMPONENTS.....	31
17. THREAD STAND COMPONENTS (FOR MO-6804S) .....	33
18. THREAD STAND COMPONENTS (FOR MO-6814S) .....	35
19. THREAD STAND COMPONENTS (FOR MO-6816S) .....	37
20. THREAD STAND COMPONENTS (FOR MO-6843S) .....	39
21. SEMI-SUNKEN TYPE TABLE COMPONENTS .....	41
22. FULLY-SUNKEN TYPE TABLE COMPONENTS .....	43
23. ACCESSORIES PARTS COMPONENTS.....	45
24. PSC UNIT.....	47
25. TAPE INSERTION COMPONENTS.....	49
26. 30P COMPONENTS .....	51
27. 60H COMPONENTS .....	53
28. MO-6800S GAUGE TABLE.....	55
29. MO-6800S GAUGE TABLE PRESSER FOOT COMPONENTS (1) .....	57
30. MO-6800S GAUGE TABLE PRESSER FOOT COMPONENTS (2) .....	59
31. MO-6800S GAUGE TABLE PRESSER FOOT COMPONENTS (3) .....	61
32. MO-6845 COMPONENTS.....	63
33. LIST FOR INFORMATION OF CHANGE.....	65
NUMERICAL INDEX OF PARTS.....	66

# 1. MISCELLANEOUS COVER COMPONENTS (1)



REF.NO	NOTE	PART NO	DESCRIPTION	Qty
1		700-00363	WASHER	4
2		700-00365	WASHER	4
3		401-59534	RUBBER PLUG	1
4		401-72525	COVER	1
5		700-00443	METAL FOAM GASKET	1
6		*****	NAME PLATE	1
7		700-00515	E_SCREW	1
8		700-00522	E_SCREW	1
9		700-00529	E_SCREW	1
10		700-00543	E_SCREW	4
11		700-00544	E_SCREW	4
12		700-00550	E_SCREW	3
13		700-00586	M_SCREW	1
14		700-00659	PIN	1
15		700-00670	PIN	1
16		700-00671	PIN	1
17		700-00672	PIN	1
18		700-00753	RIVET	2
19		700-00754	DUCT	2
20		700-00515	E_SCREW	2
21		700-00515	E_SCREW	4
22		700-00529	E_SCREW	1
23		402-35212	SIDE_COVER	1
24		401-59532	METAL FOAM GASKET	1
25		401-59533	COVER	1
26		401-59537	RUBBER PLUG COMB.	1
27		401-59538	RUBBER PLUG	(1)
28		401-59539	FELT	(1)
29		401-59540	RUBBER PLUG COVER	(1)
30	#01	402-35213	RUBBER PLUG	1
31	#01	402-35214	RUBBER PLUG	1
32		402-35250	STUD	2
		NOTE	#01....FOR 04S,14S	

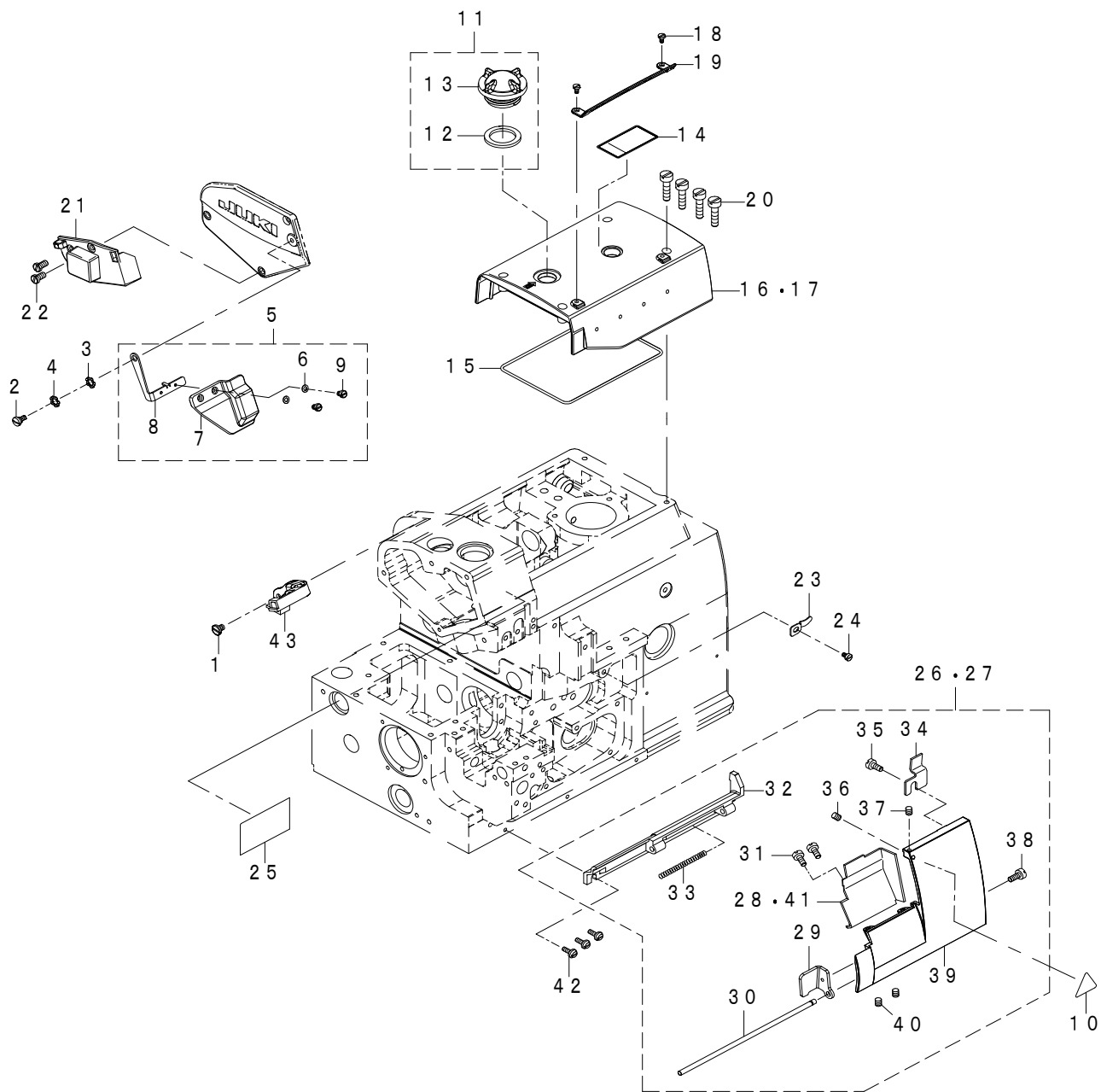
## 2. MISCELLANEOUS COVER COMPONENTS (2)



REF.NO	NOTE	PART NO	DESCRIPTION	Qty
1		401-59557	FABRIC PLATE COVER COMB.	1
2		700-00368	WASHER	(2)
3		700-00574	M_SCREW	(2)
4		700-00490	RUBBER PLUG	(1)
5		700-00334	FIXED SEAT	(1)
6		401-59562	WASHER	(1)
7		401-59563	M_SCREW	(1)
8		401-59556	SIDE COVER	(1)
9		401-59555	FABRIC PLATE COVER	(1)
10		401-59564	LEVER	(1)
11		401-59565	SPRING	(1)
12		700-00528	E_SCREW	(1)
13		401-59558	BUSHING	(1)
14		401-59559	WASHER	(1)
15		401-59560	WASHER	(1)
16		700-00577	M_SCREW	(1)
17		401-59561	RUBBER PLUG	(1)
18		401-59552	M_SCREW	1
19		401-59553	GUIDE PLATE	1
20		401-59554	OILER COVER	1
21		700-00516	E_SCREW	2
22		700-00404	FIXED PLATE	1
23		700-00518	E_SCREW	1
24		700-00453	NUT	1
25		700-00452	NUT	(1)
26		700-00563	E_SCREW	(1)
27		700-00494	SCREW	2
28		700-00493	FABRIC GUIDE	1
29		700-00515	E_SCREW	2
30		700-00755	SPONGY CUSHION	1
31		401-59551	LABEL (GROUND_MARK)	1
32		700-00515	E_SCREW	1

### 3. MISCELLANEOUS COVER COMPONENTS (3)

MODEL	04 S / 14 S	16 S / 43 S
PARTS NO	28	41
	26	27

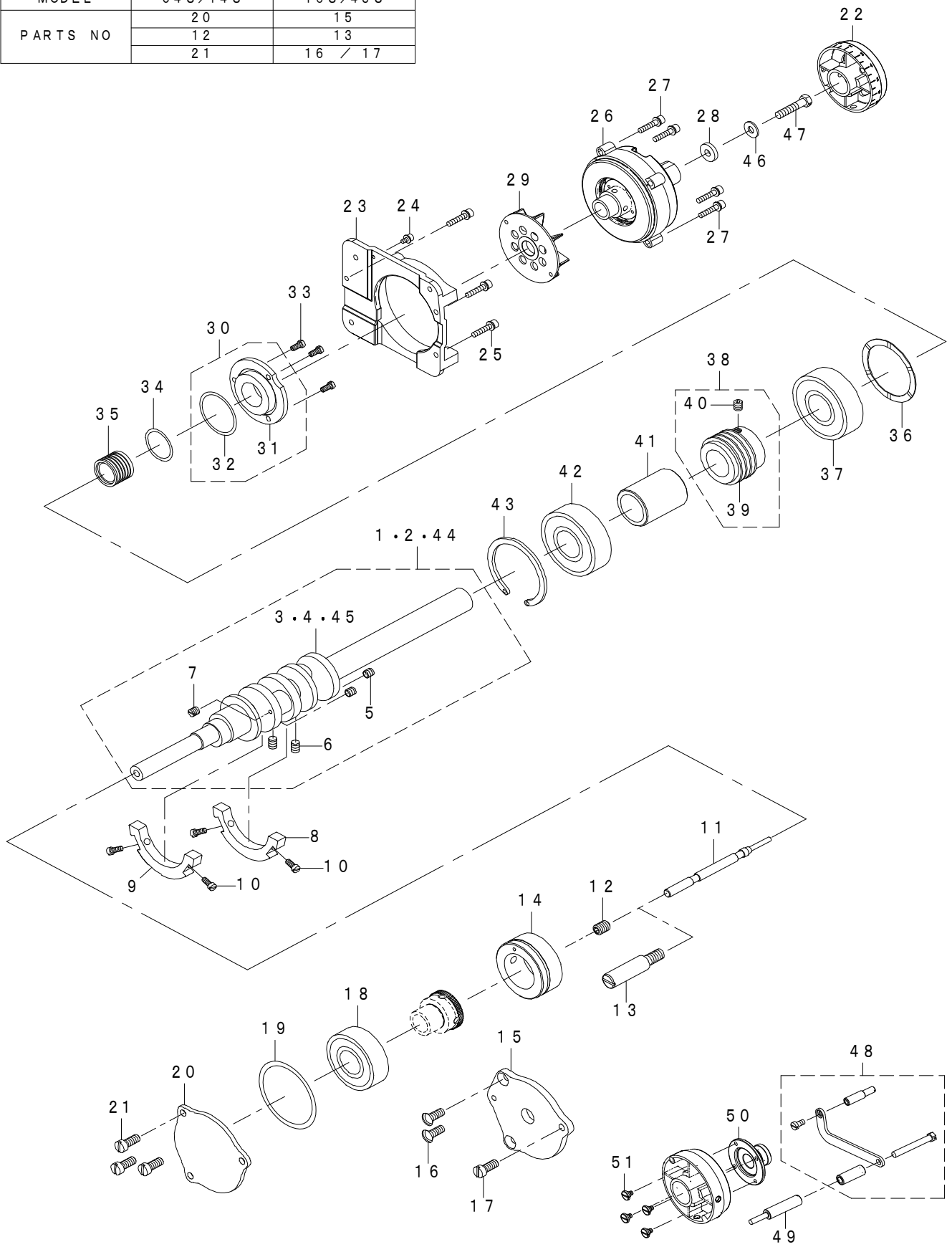




REF.NO	NOTE	PART NO	DESCRIPTION	Qty
1		700-00518	E_SCREW	1
2		401-59573	M_SCREW	1
3		401-59572	WASHER	1
4		401-59572	WASHER	1
5		401-59577	SAFETY PLATE COMB.	1
6		401-59576	WASHER	(2)
7		401-59575	SAFETY PLATE	(1)
8		401-59574	SAFETY PLATE BRACKET	(1)
9		700-00908	M_SCREW	(2)
10		700-00736	LABEL	1
11		401-59579	OIL LEVEL INSPECTION LENS COMB.	1
12		700-00136	GASKET	(1)
13		401-59578	OIL LEVEL INSPECTION LENS	(1)
14		700-00161	LABEL	1
15		700-00222	O-RING	1
16		402-35215	TOP_COVER	1
17	#01	402-35216	TOP_COVER_(43 SIZE)	1
18		401-59580	E_SCREW	2
19		401-59581	THREAD GUIDE PLATE	1
20		700-00563	E_SCREW	4
21		402-35217	LED_DEVICE	1
22		402-35218	E_SCREW	2
23		700-00745	GUIDE PLATE	1
24		700-00555	E_SCREW	1
25		*****	EMBLEM	1
26	#02	401-59585	FRONT COVER COMB.	1
27	#03	401-59593	FRONT COVER COMB.	1
28	#02	700-00481	FRONT COVER	(1)
29		700-00660	PIN	(1)
30		401-59590	SHAFT	(1)
31		700-00577	M_SCREW	(2)
32		401-59586	FIXED SEAT	(1)
33		401-59587	SPRING	(1)
34		700-00744	RETAINING CLIP	(1)
35		700-00577	M_SCREW	(1)
36		700-00570	M_SCREW	(1)
37		700-00569	M_SCREW	(1)
38		401-59591	E_SCREW	(1)
39		401-59592	FRONT COVER	(1)
40		700-00573	M_SCREW	(2)
41	#03	700-00820	FRONT COVER	1
42		401-59589	E_SCREW	3
43		402-35219	LED_CORD_BASE	1
		NOTE	#01....FOR 43S #02....FOR 04S,14S #03....FOR 16S,43S	

#### 4. CRANKSHAFT COMPONENTS

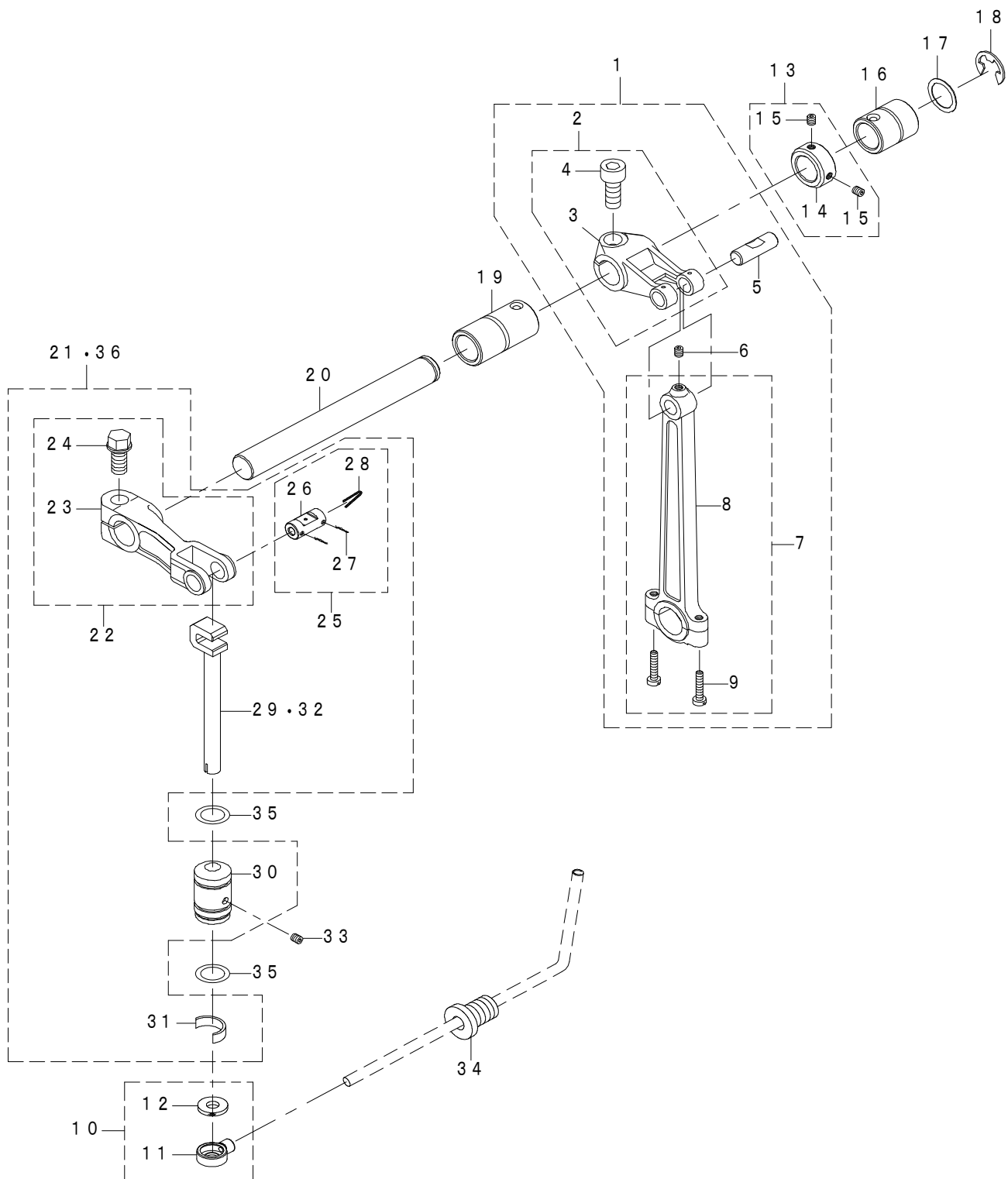
MODEL	04 S / 14 S	16 S / 43 S
PARTS NO	20	15
	12	13
	21	16 / 17



REF.NO	NOTE	PART NO	DESCRIPTION	Qty
1		401-59606	MAIN SHAFT COMB.	1
2	#01	401-59607	MAIN SHAFT COMB. (HIGH TYPE)	1
3		401-59604	MAIN SHAFT	(1)
4	#01	401-59605	MAIN SHAFT (HIGH TYPE)	(1)
5		700-00565	E_SCREW	(2)
6		700-00564	E_SCREW	(2)
7		700-00565	E_SCREW	(1)
8		700-00619	BALANCE BLOCK	1
9		700-00620	BALANCE BLOCK	1
10		700-00535	E_SCREW	4
11		700-00737	SHAFT	1
12	#02	401-59608	M_SCREW	1
13	#03	700-00460	FASTENER PIN	1
14		700-00130	BUSHING	1
15	#03	700-00701	BEARING COVER	1
16	#03	700-00554	E_SCREW	2
17	#03	700-00562	E_SCREW	1
18		700-00694	BEARING	1
19		700-00145	O-RING	1
20	#02	700-00700	BEARING COVER	1
21	#02	700-00508	E_SCREW	3
22		402-35226	HAND WHEEL COMB.	1
23		402-35220	DD_MOTOR_BASE	1
24		402-35222	M_SCREW	1
25		700-00520	E_SCREW	3
26		402-35223	DD_MOTOR	1
27		402-35224	M_SCREW	4
28		402-35225	WASHER	1
29		402-35221	FAN_BLADE	1
30		700-00431	SIDE COVER COMB.	1
31		700-00430	SIDE COVER	(1)
32		700-00145	O-RING	(1)
33		700-00521	E_SCREW	3
34		700-00143	O-RING	1
35		700-00149	WORM WHEEL	1
36		700-00699	WASHER	1
37		700-00695	BEARING	1
38		700-00259	WORM WHEEL	1
39		700-00257	WORM WHEEL	(1)
40		700-00522	E_SCREW	(1)
41		700-00314	SHAFT	1
42		700-00696	BEARING	1
43		700-00449	STOP RING	1
44	#04	401-64012	MAIN SHAFT COMB.(30P)	1
45	#04	401-64011	MAIN SHAFT (30P)	(1)
46		700-00612	WASHER	1
47		401-59603	M_SCREW	1
48	* #05	400-25294	SYNCHRONIZER STOPPER ASM.	1
49	* #05	402-66430	SYNCHRONIZER_STUD	1
50	* #05	402-66429	SYNCHRONIZER_FLAMGE	1
51	* #05	SD-0600266-TP	SHOULDER SCREW D=6 H=2.6	4

NOTE  
#01....FOR 14S-40H,14S-44H,16S-50H  
#02....FOR 04S,14S  
#03....FOR 16S,43S  
#04....FOR 30P  
#05....POTIONAL PARTS

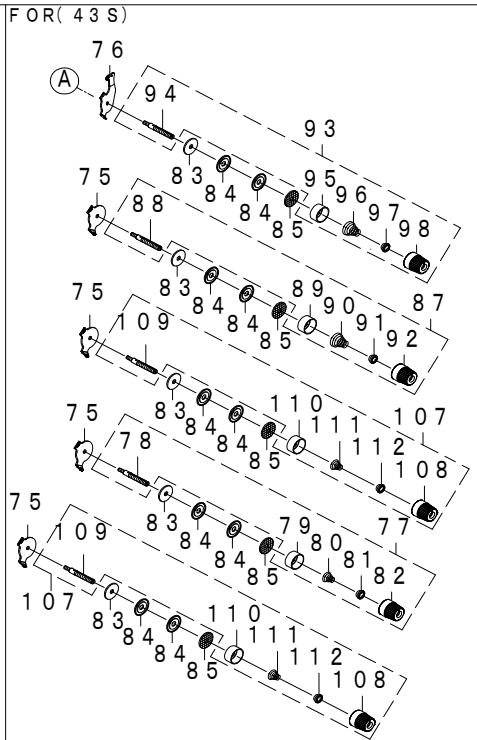
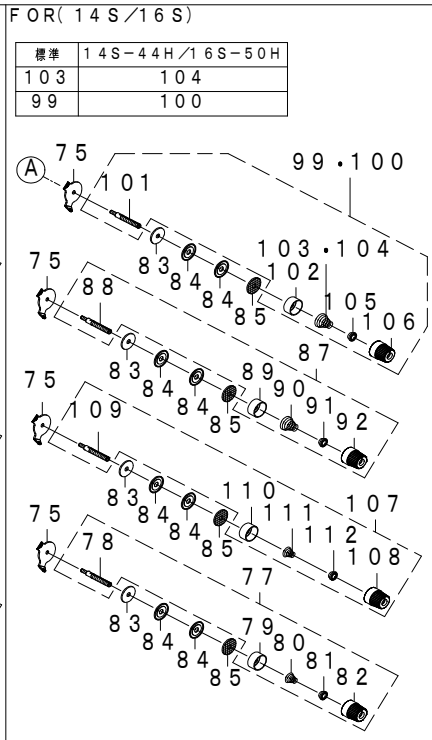
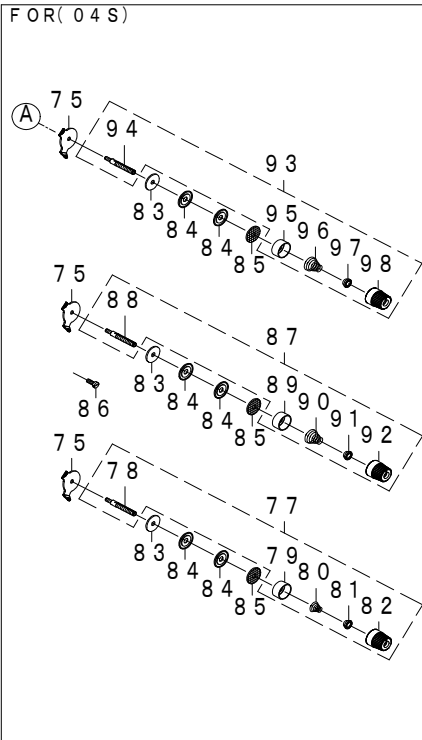
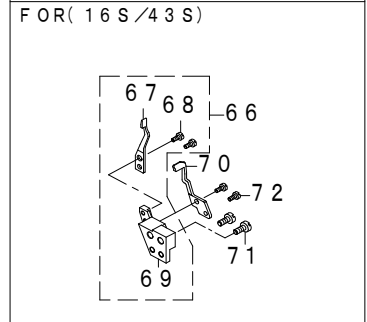
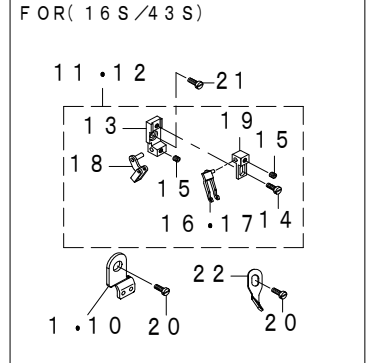
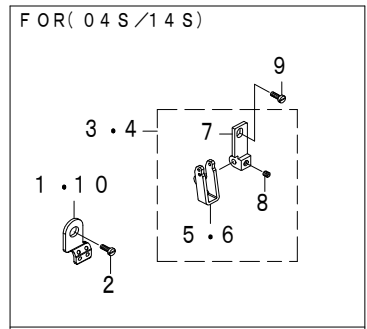
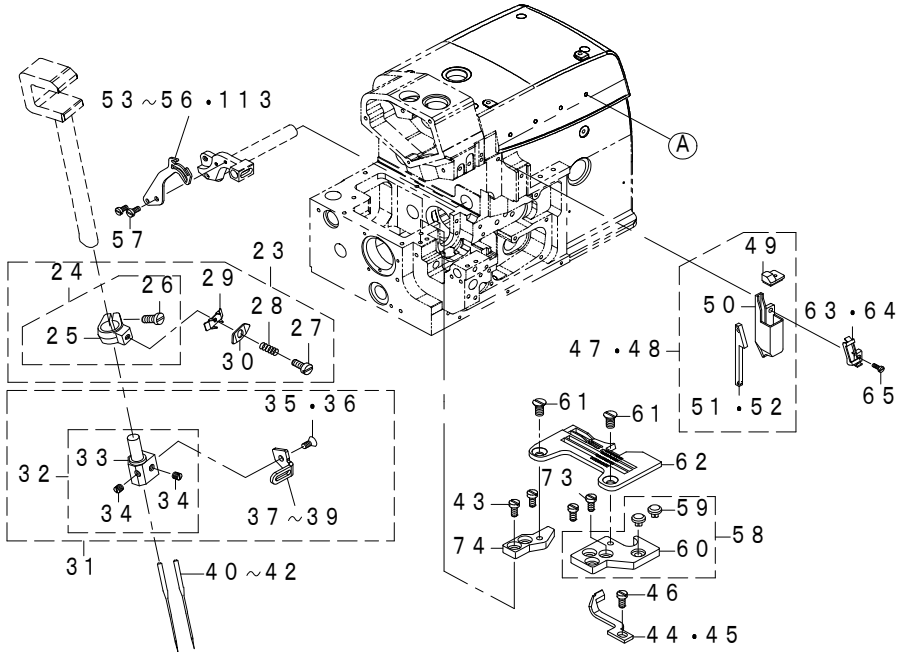
## 5. NEEDLE DRIVING SHAFT COMPONENTS



REF.NO	NOTE	PART NO	DESCRIPTION	Qty
1		401-59615	SHAFT COMB.	1
2		700-00643	SHAFT	(1)
3		700-00640	NEEDLE BAR ROCKER	(1)
4		700-00588	M_SCREW	(1)
5		700-00646	PIN	(1)
6		700-00522	E_SCREW	(1)
7		401-59618	CONNECTING ROD COMB.	(1)
8		401-59617	CONNECTING ROD	(1)
9		700-00578	M_SCREW	(2)
10		700-00267	OIL FELT	1
11		700-00266	PLUG	(1)
12		700-00677	OIL FELT	(1)
13		700-00437	COLLAR	1
14		700-00432	COLLAR	(1)
15		700-00522	E_SCREW	(2)
16		700-00637	BUSHING	1
17		700-00362	WASHER	1
18		700-00134	E_CIRCLIPS	1
19		700-00639	BUSHING	1
20		700-00635	ARBOR	1
21		401-59619	NEEDLE BAR COMB.	1
22		700-00633	CONNECTING ROD COMB.	(1)
23		700-00632	CONNECTING ROD	(1)
24		700-00593	M_SCREW	(1)
25		700-00638	SHAFT COMB.	(1)
26		700-00636	SHAFT	(1)
27		700-00728	OIL YARN	(2)
28		700-00729	OIL WICK	(1)
29		700-00654	NEEDLE BAR	(1)
30		401-59620	BUSHING	(1)
31		700-00676	OIL FELT	(1)
32	#01	401-59658	NEEDLE BAR (44H)	(1)
33		700-00503	E_SCREW	1
34		700-00445	PLUG	1
35		700-00141	O-RING	2
36	#01	401-59623	NEEDLE BAR COMB.(44H)	1
		NOTE	#01....FOR 14S-44H	

## 6. THREAD TENSION COMPONENTS

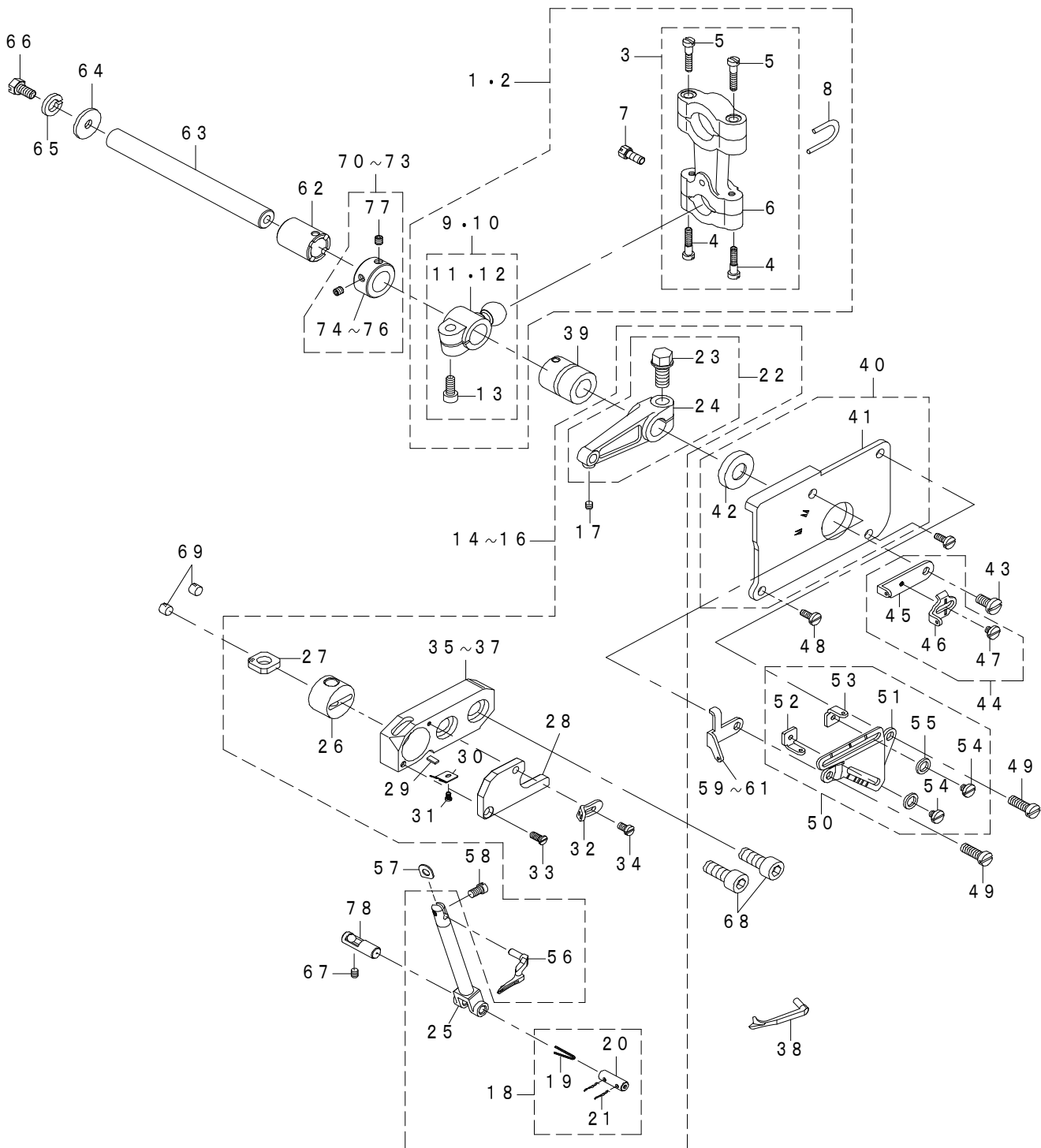
MODEL	04 S	14 S	16 S	43 S	14 S-30 P
PARTS NO	10	1	10	1	113
	5	6	16	17	
	54	53	55	56	
	51	51	52	52	
	63	63	64	64	
	44	44	45	45	
	38	37	39	39	
	8	8	15	15	
	2	2	20	20	
	9	9	21	21	
	35	35	14	14	
	3	4	11	12	
	47	47	48	48	



REF.NO	NOTE	PART NO	DESCRIPTION	Qty
1	#09	401-59645	THREAD GUIDE PLATE	1
2	#06	700-00513	E. SCREW	1
3	#02	700-00173	FIXED PLATE COMB.	1
4	#03	700-00832	FIXED PLATE COMB.	1
5	#02	700-00822	THREAD GUIDE PLATE	(1)
6	#03	401-59650	THREAD GUIDE PLATE	(1)
7		700-00164	FIXED PLATE	(1)
8	#06	700-00498	E. SCREW	(1)
9	#06	700-00549	E. SCREW	(1)
10	#07	401-59646	THREAD GUIDE PLATE	1
11	#04	700-00174	FIXED PLATE COMB.	1
12	#05	700-00833	FIXED SEAT COMB.	1
13	#08	700-00171	FIXED SEAT	(1)
14	#08	700-00559	E. SCREW	(1)
15	#08	700-00498	E. SCREW	(2)
16	#04	401-59647	THREAD GUIDE PLATE	(1)
17	#05	401-59651	THREAD GUIDE PLATE	(1)
18		401-59648	THREAD GUIDE PLATE	(1)
19		700-00169	FIXED BLOCK	(1)
20	#08	700-00513	E. SCREW	2
21	#08	700-00555	E. SCREW	1
22		700-00168	THREAD GUIDE PLATE	1
23		700-00629	CATCHER	1
24		700-00653	CRAMP	(1)
25		700-00652	CRAMP	(1)
26		700-00572	M. SCREW	(1)
27		401-59629	M. SCREW	(1)
28		700-00598	SPRING	(1)
29		700-00626	THREAD GRIP	(1)
30		700-00627	THREAD GRIP	(1)
31	#01	*****	NEEDLE CLAMP	1
32	#01	*****	NEEDLE CLAMP	(1)
33	#01	*****	NEEDLE CLAMP	(1)
34	#06	700-00498	E. SCREW	(2)
35	#06	700-00567	M. SCREW	(1)
36	#08	700-00831	M. SCREW	(1)
37	#03	700-00828	THREAD CROSSING	(1)
38	#02	700-00828	THREAD CROSSING	(1)
39	#04	401-72527	THREAD CROSSING	(1)
40	#01	*****	NEEDLE	2
41	#01	*****	NEEDLE	1
42	#01	*****	NEEDLE	3
43		700-00550	E. SCREW	2
44	#06	700-00469	NEEDLE GUARD	1
45	#08	700-00827	NEEDLE GUARD	1
46		700-00555	E. SCREW	1
47	#06	700-00887	OILER	1
48	#08	401-59652	OILER	1
49		700-00849	OILER COVER	(1)
50		700-00847	OILER	(1)
51	#06	700-00848	OIL FELT	(1)
52	#08	700-00885	OIL FELT	(1)
53	#03	401-59630	THREAD TAKE-UP LEVER	1
54	#02	401-59653	THREAD TAKE-UP LEVER	1
55	#04	401-59654	THREAD TAKE-UP LEVER	1
56	#05	401-59655	THREAD TAKE-UP LEVER	1
57		700-00505	E. SCREW	2
58		401-59628	NEEDLE PLATE BRACKET COMB.	1
59		700-00704	RUBBER PLUG	(2)
60		401-59626	NEEDLE PLATE BRACKET	(1)
61		700-00516	E. SCREW	2
62	#01	*****	THROAT PLATE	1
63	#06	700-00850	THREAD GUIDE PLATE	1
64	#08	401-59649	THREAD GUIDE PLATE	1
65		401-59625	E. SCREW	1
66		700-00337	FIXED SEAT COMB.	1
67		700-00336	NEEDLE GUARD	(1)
68		700-00497	E. SCREW	(2)
69		700-00630	NEEDLE GUARD	(1)
70		700-00335	NEEDLE GUARD	1
71		700-00526	E. SCREW	2
72		700-00497	E. SCREW	2
73		700-00550	E. SCREW	2
74		401-59627	NEEDLE PLATE BRACKET	1
75		401-59631	THREAD GUIDE PLATE	11
76		401-59644	THREAD GUIDE PLATE	1
77		401-59640	THREAD TENSION COMB.(R)	3
78		401-59632	THREAD TENSION SHAFT	(1)
79		401-59634	SLEEVE	(1)
80		700-00211	SPRING	(1)
81		401-59636	FIXED RING	(1)
82		401-78548	THREAD TENSION KNOB.(R)	(1)
83		401-59633	THREAD TENSION RUBBER WASHER	12
84		700-00203	THREAD GRIP	24
85		700-00213	OIL FELT	12
86		700-00513	E. SCREW	1
87		401-59641	THREAD TENSION COMB.(Y)	3
88		401-59632	THREAD TENSION SHAFT	(1)
89		401-59634	SLEEVE	(1)
90		401-59624	SPRING	(1)
91		401-59636	FIXED RING	(1)
92		401-78550	THREAD TENSION KNOB.(Y)	(1)
93		401-59642	THREAD TENSION COMB.	2
94		401-59632	THREAD TENSION SHAFT	(1)
95		401-59634	SLEEVE	(1)
96		401-59624	SPRING	(1)
97		401-59636	FIXED RING	(1)
98		401-78549	THREAD TENSION KNOB.(G)	(1)
99		401-59642	THREAD TENSION COMB.(G)	1
100		401-59656	THREAD TENSION COMB.(G1)	1
101	#10	401-59632	THREAD TENSION SHAFT	(1)
102		401-59634	SLEEVE	(1)
103		401-59624	SPRING	(1)
104		401-59657	SPRING	(1)
105	#10	401-59636	FIXED RING	(1)
106		401-78549	THREAD TENSION KNOB.(G)	(1)
107		401-59643	THREAD TENSION COMB.(Y1)	3
108		401-78550	THREAD TENSION KNOB.(Y)	(1)
109		401-59632	THREAD TENSION SHAFT	(1)
110		401-59634	SLEEVE	(1)
111		700-00211	SPRING	(1)
112		401-59636	FIXED RING	(1)
113	#11	401-64056	THREAD TAKE-UP LEVER	1
		NOTE	#01...REFER 'MO-6800S GAUGE TABLE'	
			#02...FOR 04S	
			#03...FOR 14S	
			#04...FOR 16S	
			#05...FOR 43S	
			#06...FOR 04S,14S	
			#07...FOR 04S,16S	
			#08...FOR 16S,43S	
			#09...FOR 14S,43S	
			#10...FOR 14S-44H,16S-50H	
			#11...FOR 14S-30P	

## 7. UPPER LOOPER COMPONENTS

MODEL	04S/16S	14S/43S	14S-44H	16S-50H
PARTS NO	73	72	70	71 + 72
	12	11	11	12
	10	9	9	10
	2	1	1	2
	35	36	37	35
	59		60	61
	14	15	16	14
	75	76	74	76





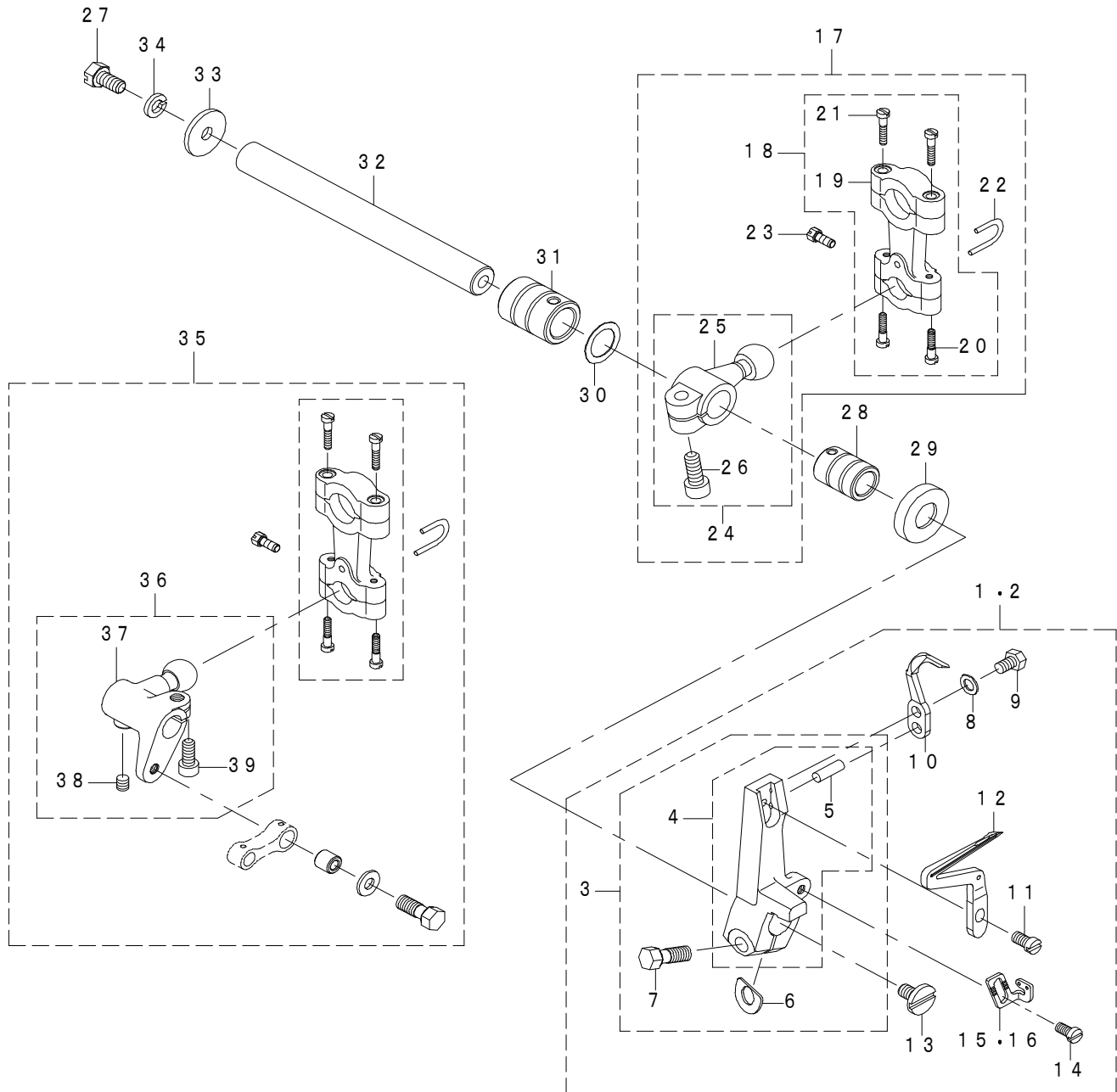
REF.NO	NOTE	PART NO	DESCRIPTION	Qty
1	#07	401-59686	BALL CONNECTING ROD COMB.	1
2	#08	401-59687	BALL CONNECTING ROD COMB.	1
3		401-79596	CONNECTING ROD	(1)
4		401-79597	E SCREW	(2)
5		401-79597	E SCREW	(2)
6		401-78084	BALL CONNECTING ROD	(1)
7		700-00545	E SCREW	(1)
8		401-59684	FIXED JAW	(1)
9	#07	700-00254	BALL CONNECTING ROD COMB.	(1)
10	#08	401-59678	BALL CONNECTING ROD COMB.	(1)
11	#07	700-00253	BALL CONNECTING ROD	(1)
12	#08	700-00834	BALL CONNECTING ROD	(1)
13		700-00590	M SCREW	(1)
14	#01	401-59675	CONNECTING ROD SEAT COMB.	1
15	#02	401-59681	CONNECTING ROD SEAT COMB.	1
16	#03	401-59682	CONNECTING ROD SEAT COMB.	1
17		700-00498	E SCREW	(1)
18		700-00251	LOOPER CONNECTING ROD PIN COMB.	(1)
19		700-00729	OIL WICK	(1)
20		700-00661	PIN	(1)
21		700-00728	OIL YARN	(2)
22		700-00240	CONNECTING ROD COMB.	(1)
23		700-00593	M SCREW	(1)
24		700-00239	CONNECTING ROD	(1)
25		401-72535	LOOPER CONNECTING ROD	(1)
26		700-00241	LOOPER GUIDE SHAFT	(1)
27		700-00678	OIL WICK	(1)
28		700-00243	FIXED PLATE	(1)
29		401-59671	OIL FELT	(1)
30		401-59672	FELT COVER	(1)
31		700-00538	E SCREW	(1)
32		700-00193	THREAD CROSSING	(1)
33		700-00560	E SCREW	(1)
34		401-59674	E SCREW	(1)
35	#08	401-59673	CONNECTING ROD SEAT	(1)
36	#02	401-59679	CONNECTING ROD SEAT	(1)
37	#03	401-59680	CONNECTING ROD SEAT	(1)
38	#10	401-76583	LOOPER	1
39		700-00248	BUSHING	1
40		700-00749	COVER	1
41		700-00748	COVER	(1)
42		700-00268	OIL SEAL	(1)
43		700-00515	E SCREW	1
44		700-00202	THREAD CROSSING COMB.	1
45		700-00197	THREAD CROSSING	(1)
46		700-00198	THREAD CROSSING	(1)
47		700-00501	E SCREW	(1)
48		700-00521	E SCREW	2
49		700-00521	E SCREW	2
50		700-00201	GRADUATED PLATE COMB.	1
51		700-00194	FIXED PLATE	(1)
52		700-00200	THREAD CROSSING	(1)
53		700-00195	THREAD CROSSING	(1)
54		700-00501	E SCREW	(2)
55		700-00350	WASHER	(2)
56	#09	*****	LOOPER	1
57		401-59670	WASHER	1
58		700-00504	E SCREW	1
59	#05	700-00196	THREAD CROSSING	1
60	#03	700-00812	THREAD GUIDE	1
61	#04	401-59683	THREAD GUIDE	1
62		700-00247	BUSHING	1
63		700-00246	ARBOR COMB.	1
64		700-00342	GASKET	1
65		700-00613	WASHER	1
66		700-00517	E SCREW	1
67		700-00522	E SCREW	1
68		700-00587	M SCREW	2
69		700-00679	OIL WICK	2
70	#03	401-59666	COLLAR COMB.	1
71	#04	700-00807	COLLAR COMB.	1
72	#06	401-59676	COLLAR COMB.	1
73	#01	401-59677	COLLAR COMB.	1
74	#03	401-59665	COLLAR	(1)
75	#01	401-77859	COLLAR	(1)
76	#06	401-59715	COLLAR	(1)
77		700-00522	E SCREW	(2)
78		401-59667	OIL TUBE	1

NOTE

#01....FOR 04S,16S  
#02....FOR 14S,43S  
#03....FOR 14S,44H  
#04....FOR 16S,50H  
#05....FOR 04S,14S,16S,43S  
#06....FOR 14S,43S,16S,50H  
#07....FOR 14S,43S,14S,44H  
#08....FOR 04S,16S,16S,50H  
#09....REFER "MO-6800S GAUGE TABLE"  
#10....OPTIONAL PARTS

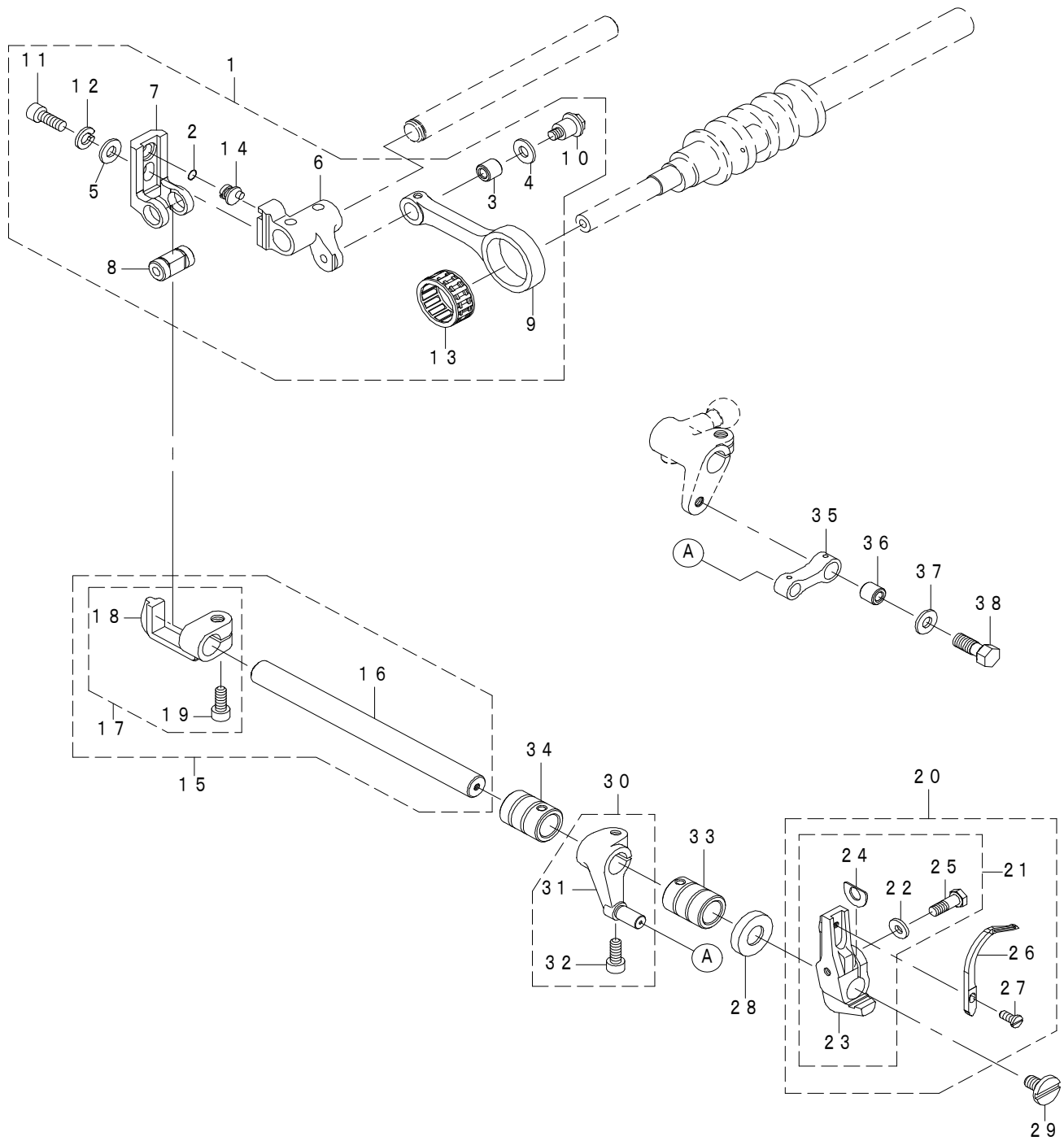
## 8. LOWER LOOPER COMPONENTS

MODEL	04 S / 14 S	16 S / 43 S	16 S - 50 H
PARTS NO	15		16
	1		2
	25	37	
		38	
	24	36	
	17	35	



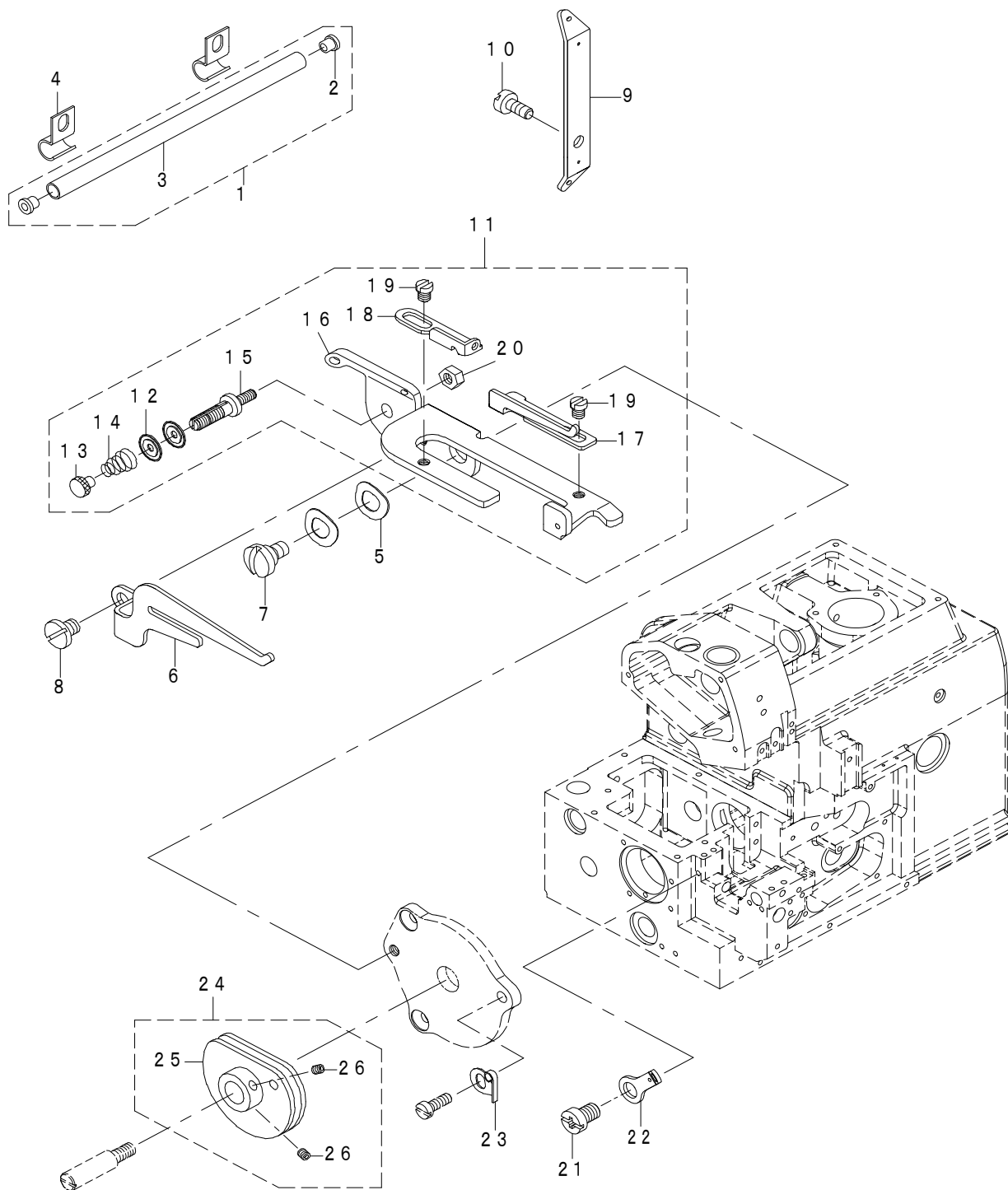
REF.NO	NOTE	PART NO	DESCRIPTION	Qty
1	#04	401-59692	LOOPER HOLDER COMB.	1
2	#03	401-59694	LOOPER HOLDER COMB.	1
3		700-00407	LOOPER HOLDER	(1)
4		700-00406	LOOPER HOLDER	(1)
5		700-00667	PIN	(1)
6		700-00380	GASKET	(1)
7		700-00531	E_SCREW	(1)
8		700-00751	WASHER	(1)
9		700-00511	E_SCREW	(1)
10		700-00175	EJECTOR PLATE	(1)
11		700-00505	E_SCREW	(1)
12		700-00405	LOOPER	(1)
13		700-00525	E_SCREW	(1)
14		700-00506	E_SCREW	(1)
15	#04	700-00199	THREAD GUIDE PLATE	(1)
16	#03	401-59693	THREAD GUIDE PLATE	(1)
17	#01	401-59689	BALL CONNECTING ROD COMB.	1
18		401-79596	CONNECTING ROD	(1)
19		401-78084	BALL CONNECTING ROD	(1)
20		401-79597	E_SCREW	(2)
21		401-79597	E_SCREW	(2)
22		401-59684	FIXED JAW	(1)
23		700-00545	E_SCREW	(1)
24	#01	700-00415	BALL CONNECTING ROD	(1)
25	#01	700-00413	BALL CONNECTING ROD	(1)
26		700-00590	M_SCREW	(1)
27		700-00517	E_SCREW	1
28		700-00410	BUSHING	1
29		700-00270	OIL SEAL	1
30		700-00752	WASHER	1
31		700-00410	BUSHING	1
32		700-00409	ARBOR	1
33		700-00343	GASKET	1
34		700-00614	WASHER	1
35	#02	401-59690	BALL CONNECTING ROD COMB.	1
36	#02	700-00416	BALL CONNECTING ROD	(1)
37	#02	700-00414	BALL CONNECTING ROD	(1)
38	#02	700-00522	E_SCREW	(1)
39		700-00590	M_SCREW	(1)
		NOTE	#01....FOR 04S,14S #02....FOR 16S,43S #03....FOR 16-50H #04....FOR 04S,14S,16S,43S	

## 9. CHAIN LOOPER COMPONENTS (1)



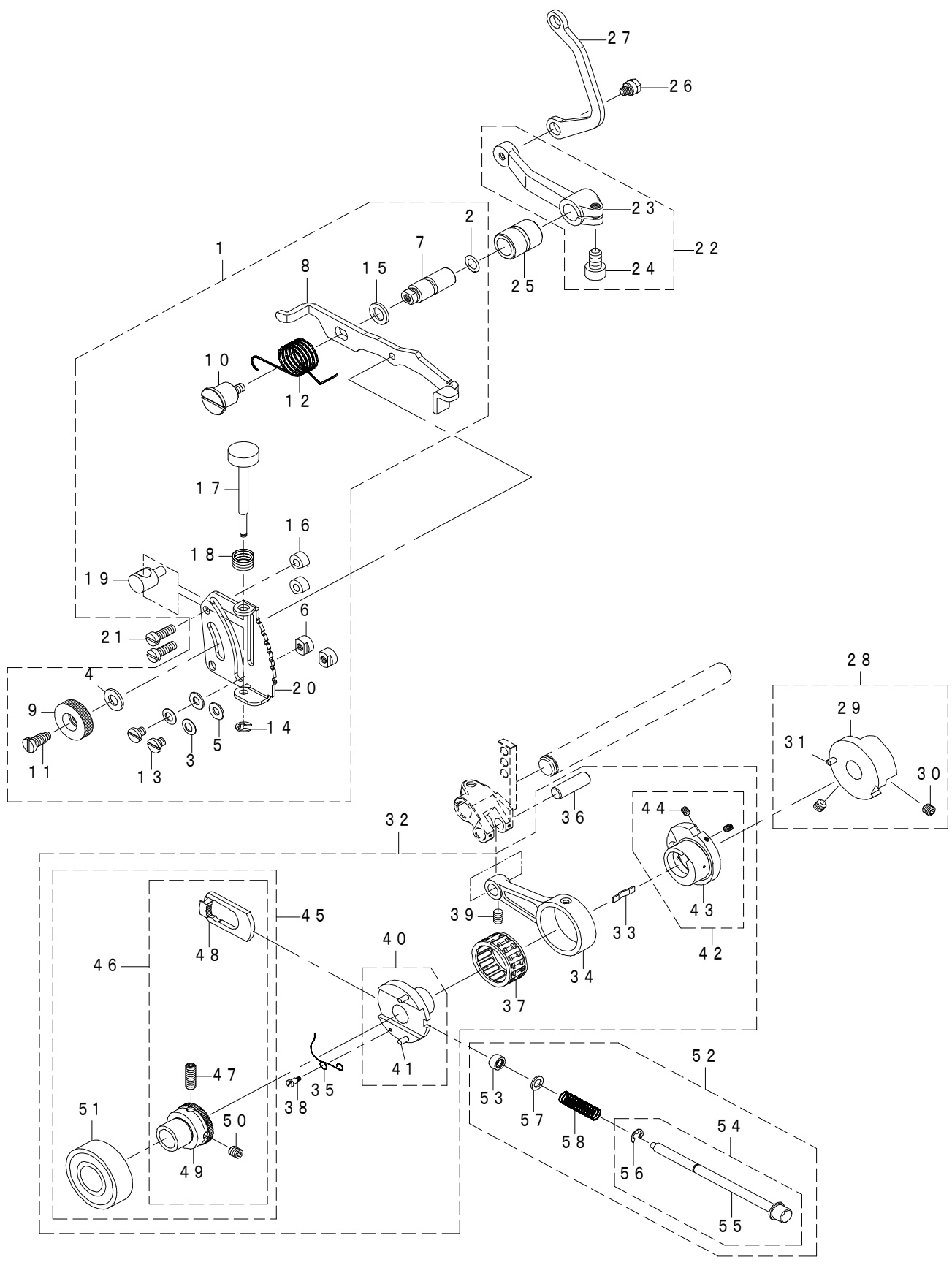
REF.NO	NOTE	PART NO	DESCRIPTION	Qty
1		700-00479	CONNECTING ROD COMB.	1
2		700-00139	O-RING	(1)
3		700-00317	BUSHING	(1)
4		700-00346	GASKET	(1)
5		700-00357	WASHER	(1)
6		700-00463	ADJUSTING SEAT	(1)
7		700-00464	ADJUSTING SEAT	(1)
8		700-00467	SHAFT	(1)
9		700-00478	CONNECTING ROD	(1)
10		700-00514	E_SCREW	(1)
11		700-00561	E_SCREW	(1)
12		700-00616	WASHER	(1)
13		700-00697	BEARING	(1)
14		700-00703	ECCENTRIC	(1)
15		700-00465	SLIDE BLOCK GUIDE	1
16		700-00461	SHAFT	(1)
17		700-00466	SLIDE BLOCK GUIDE	(1)
18		700-00462	SLIDE BLOCK GUIDE	(1)
19		700-00590	M_SCREW	(1)
20		700-00475	LOOPER COMB.	1
21		700-00476	LOOPER HOLDER	(1)
22		700-00351	WASHER	(1)
23		700-00474	LOOPER HOLDER	(1)
24		700-00380	GASKET	(1)
25		700-00531	E_SCREW	(1)
26		700-00473	LOOPER	(1)
27		700-00508	E_SCREW	(1)
28		700-00270	OIL SEAL	1
29		700-00525	SCREW	1
30		700-00471	LOOPER CONNECTING ROD	1
31		700-00470	LOOPER CONNECTING ROD	(1)
32		700-00590	M_SCREW	(1)
33		700-00477	BUSHING	1
34		700-00410	BUSHING	1
35		700-00472	CONNECTING ROD	1
36		700-00317	BUSHING	1
37		700-00346	GASKET	1
38		700-00514	E_SCREW	1

## 10. CHAIN LOOPER COMPONENTS (2)



REF.NO	NOTE	PART NO	DESCRIPTION	Qty
1		700-00397	DUCT COMB.	1
2		700-00172	PLUG	(2)
3		700-00396	DUCT	(1)
4		700-00398	FIXED PLATE	2
5		700-00359	WASHER	2
6		700-00387	THREAD GUIDE PLATE	1
7		700-00519	E_SCREW	1
8		700-00576	M_SCREW	1
9		700-00384	THREAD CROSSING	1
10		700-00513	E_SCREW	1
11		700-00391	THREAD TAKE-UP DEVICE	1
12		700-00392	THREAD GRIP	(2)
13		700-00393	THREAD TENSION KNOB	(1)
14		700-00394	SPRING	(1)
15		700-00395	THREAD TENSION SHAFT	(1)
16		700-00388	BRACKET	(1)
17		700-00389	THREAD GUIDE PLATE	(1)
18		700-00390	THREAD GUIDE PLATE	(1)
19		700-00571	M_SCREW	(2)
20		700-00452	NUT	(1)
21		700-00557	E_SCREW	1
22		700-00383	THREAD GUIDE PLATE	1
23		700-00448	SPRING PLATE	1
24		700-00386	THREAD TENSION CAM	1
25		700-00385	THREAD TENSION CAM	(1)
26		700-00498	E_SCREW	(2)

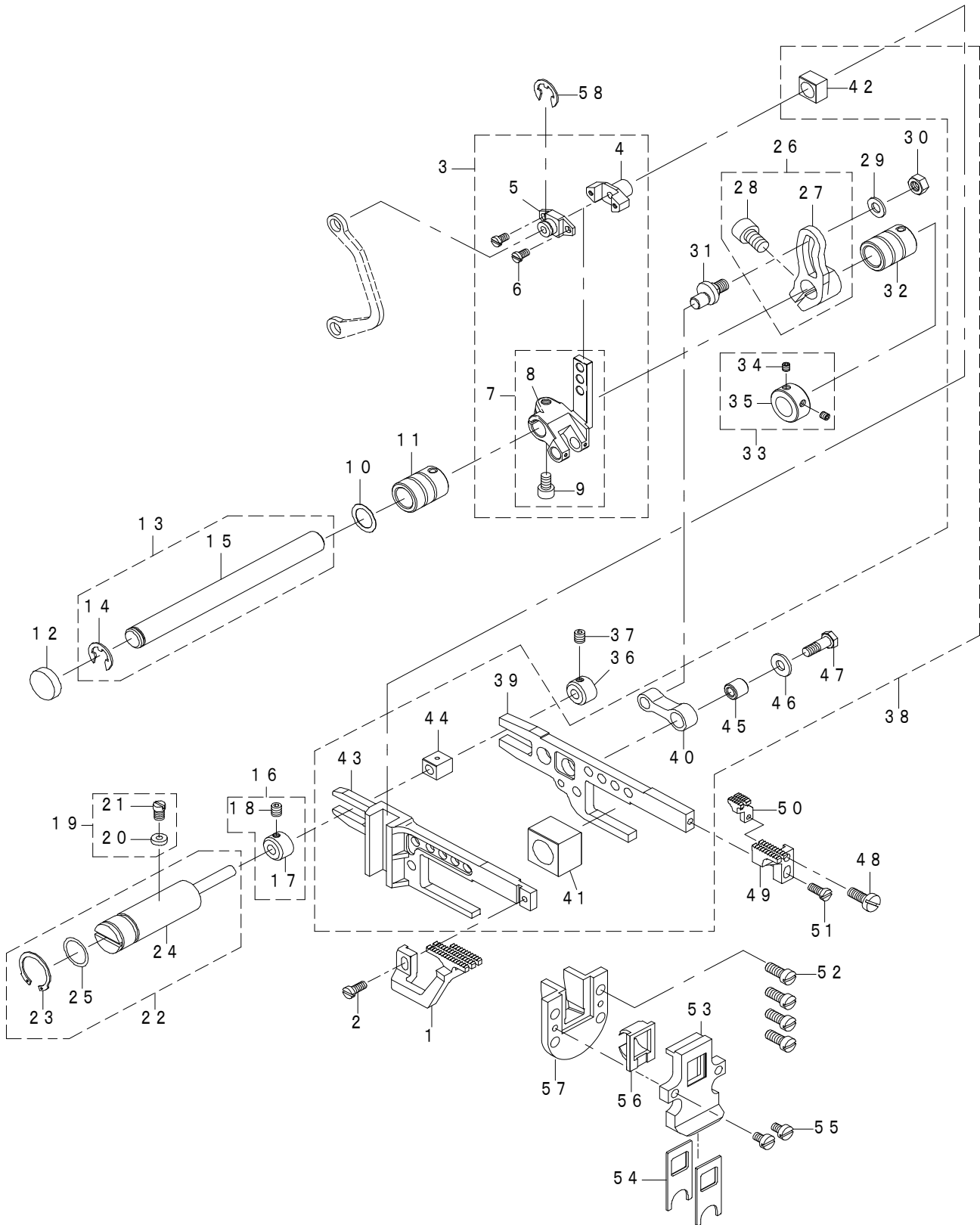
# 11. FEED MECHANISM COMPONENTS (1)





REF.NO	NOTE	PART NO	DESCRIPTION	Qty
1		401-59707	FEED DOG SEAT COMB.	1
2		700-00140	O-RING	(1)
3		700-00344	GASKET	(2)
4		700-00345	WASHER	(1)
5		700-00349	WASHER	(2)
6		700-00372	FIXED BLOCK	(2)
7		700-00373	ADJUSTING SEAT	(1)
8		700-00379	ADJUSTING PLATE	(1)
9		700-00450	NUT	(1)
10		700-00495	SCREW	(1)
11		700-00542	E_SCREW	(1)
12		700-00601	SPRING	(1)
13		700-00512	E_SCREW	(2)
14		700-00131	E_CIRCLIPS	(1)
15		700-00353	WASHER	(1)
16		401-59702	SPACER	(2)
17		401-59703	ADJUSTING SCREW	(1)
18		401-59704	SPRING	(1)
19		401-59705	BLOCK	(1)
20		401-59706	FEED DOG SEAT	(1)
21		700-00523	E_SCREW	2
22		700-00370	DIFFERENTIAL CONNECTING ROD ASM.	1
23		700-00369	DIFFERENTIAL CONNECTING ROD	(1)
24		700-00590	M_SCREW	(1)
25		401-59700	BUSHING	1
26		700-00552	E_SCREW	1
27		401-59701	CONNECTING ROD	1
28		700-00276	ADJUSTING WHEEL	1
29		700-00275	ADJUSTING WHEEL	(1)
30		700-00582	M_SCREW	(2)
31		700-00666	PIN	(1)
32		401-59709	CONNECTING ROD COMB.	1
33		700-00162	SPRING PLATE	(1)
34		700-00277	CONNECTING ROD	(1)
35		700-00602	SPRING	(1)
36		700-00662	PIN	(1)
37		700-00698	BEARING	(1)
38		401-59629	M_SCREW	(1)
39		700-00503	E_SCREW	(1)
40		700-00282	ECCENTRIC	(1)
41		700-00665	PIN	(2)
42		700-00289	ECCENTRIC	(1)
43		700-00288	ECCENTRIC	(1)
44		700-00502	E_SCREW	(2)
45		700-00741	ADJUSTING WHEEL COMB.	(1)
46		700-00740	ADJUSTING WHEEL	(1)
47		700-00583	M_SCREW	(1)
48		700-00738	SLIDE BLOCK	(1)
49		700-00739	ADJUSTING WHEEL	(1)
50		700-00582	M_SCREW	(1)
51		700-00694	BEARING	(1)
52		700-00284	SHAFT COMB.	1
53		700-00137	O-RING	(1)
54		700-00286	SHAFT	(1)
55		700-00283	SHAFT	(1)
56		700-00131	E_CIRCLIPS	(1)
57		700-00358	WASHER	(1)
58		700-00600	SPRING	(1)

## 12. FEED MECHANISM COMPONENTS (2)

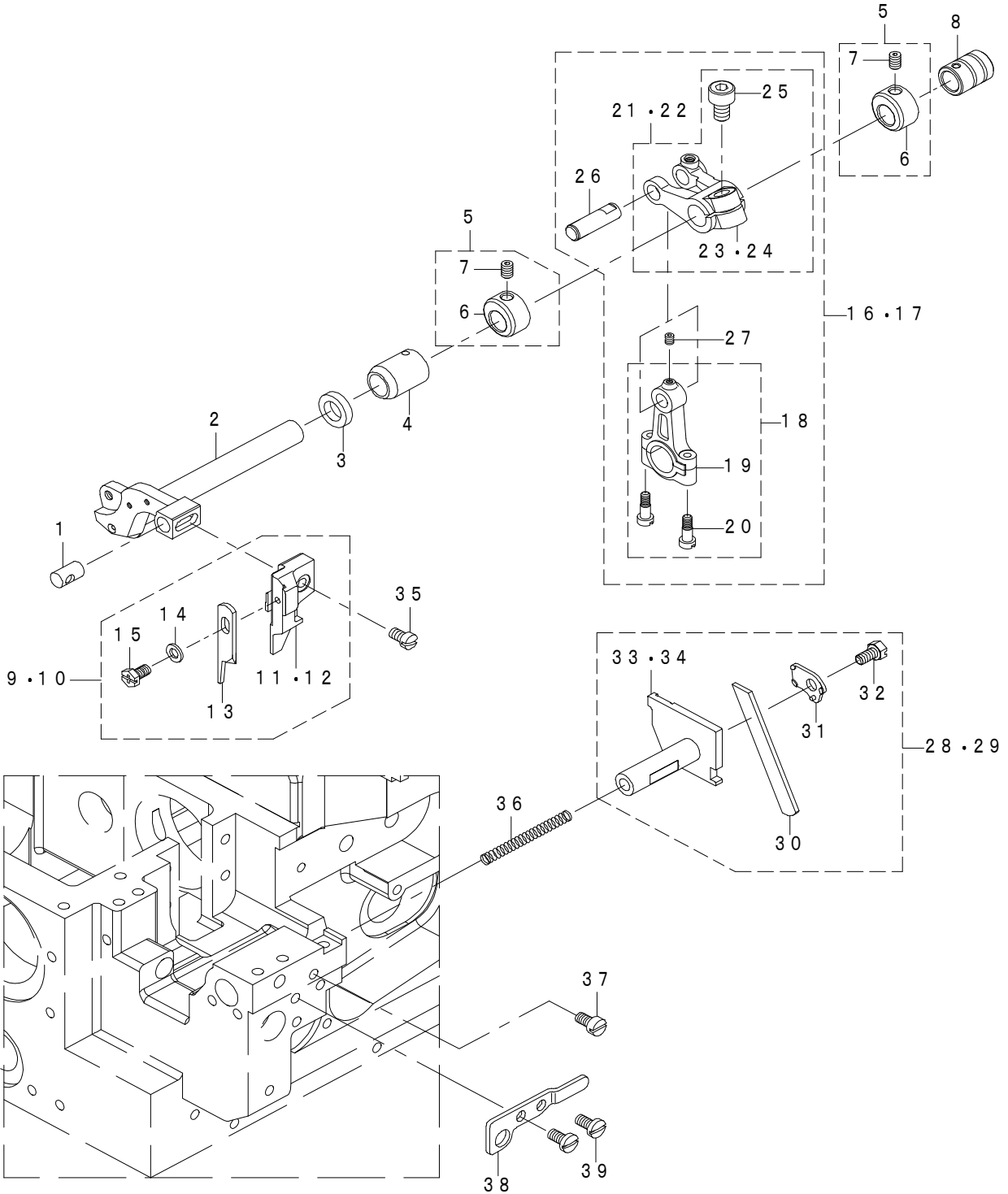


REF.NO	NOTE	PART NO	DESCRIPTION	Qty
1	#01	*****	FEED DOG	1
2		700-00509	E_SCREW	1
3		700-00683	CRANK COMB.	1
4		700-00374	ROCKING SEAT	(1)
5		700-00375	ROCKING SEAT	(1)
6		700-00558	E_SCREW	(2)
7		700-00684	CRANK	(1)
8		700-00681	CRANK	(1)
9		700-00590	M_SCREW	(1)
10		700-00361	WASHER	1
11		700-00280	BUSHING	1
12		700-00446	OIL SEAL	1
13		401-59717	ECCENTRIC SHAFT COMB.	1
14		700-00133	E_CIRCLIPS	(1)
15		401-59716	ECCENTRIC SHAFT	(1)
16		700-00435	COLLAR	1
17		700-00433	COLLAR	(1)
18		700-00522	E_SCREW	(1)
19		700-00147	OIL SEAL COMB.	1
20		700-00138	OIL SEAL	(1)
21		700-00548	E_SCREW	(1)
22		700-00734	ECCENTRIC SHAFT	1
23		700-00135	E_CIRCLIPS	(1)
24		700-00733	ECCENTRIC SHAFT	(1)
25		700-00141	O-RING	(1)
26		700-00685	CRANK	1
27		700-00682	CRANK	(1)
28		700-00590	M_SCREW	(1)
29		700-00356	WASHER	1
30		700-00458	NUT	1
31		700-00688	ADJUSTING SHAFT	1
32		700-00410	BUSHING	1
33		401-59676	COLLAR	1
34		700-00522	E_SCREW	(2)
35		401-59715	COLLAR	(1)
36		700-00433	COLLAR	1
37		700-00522	E_SCREW	1
38		700-00731	FEED DOG SEAT COMB.	1
39		700-00422	FEED DOG SEAT	(1)
40		700-00423	CONNECTING ROD	(1)
41		700-00429	SLIDE BLOCK	(1)
42		700-00686	SLIDE BLOCK	(1)
43		700-00689	FEED DOG SEAT	(1)
44		700-00732	SLIDE BLOCK	(1)
45		700-00317	BUSHING	(1)
46		700-00346	GASKET	(1)
47		700-00514	E_SCREW	(1)
48		700-00572	M_SCREW	1
49	#01	*****	FEED DOG	1
50	#01	*****	FEED DOG	1
51		700-00509	E_SCREW	1
52		700-00530	E_SCREW	4
53		700-00151	OIL SCRAPER HOLDER	1
54		700-00152	OIL SEAL	2
55		700-00508	E_SCREW	2
56		401-59718	OIL SEAL	1
57		401-59719	SLIDE BLOCK	1
58		700-00132	E_CIRCLIPS	1

NOTE #01....REFER "MO-6800S GAUGE TABLE"

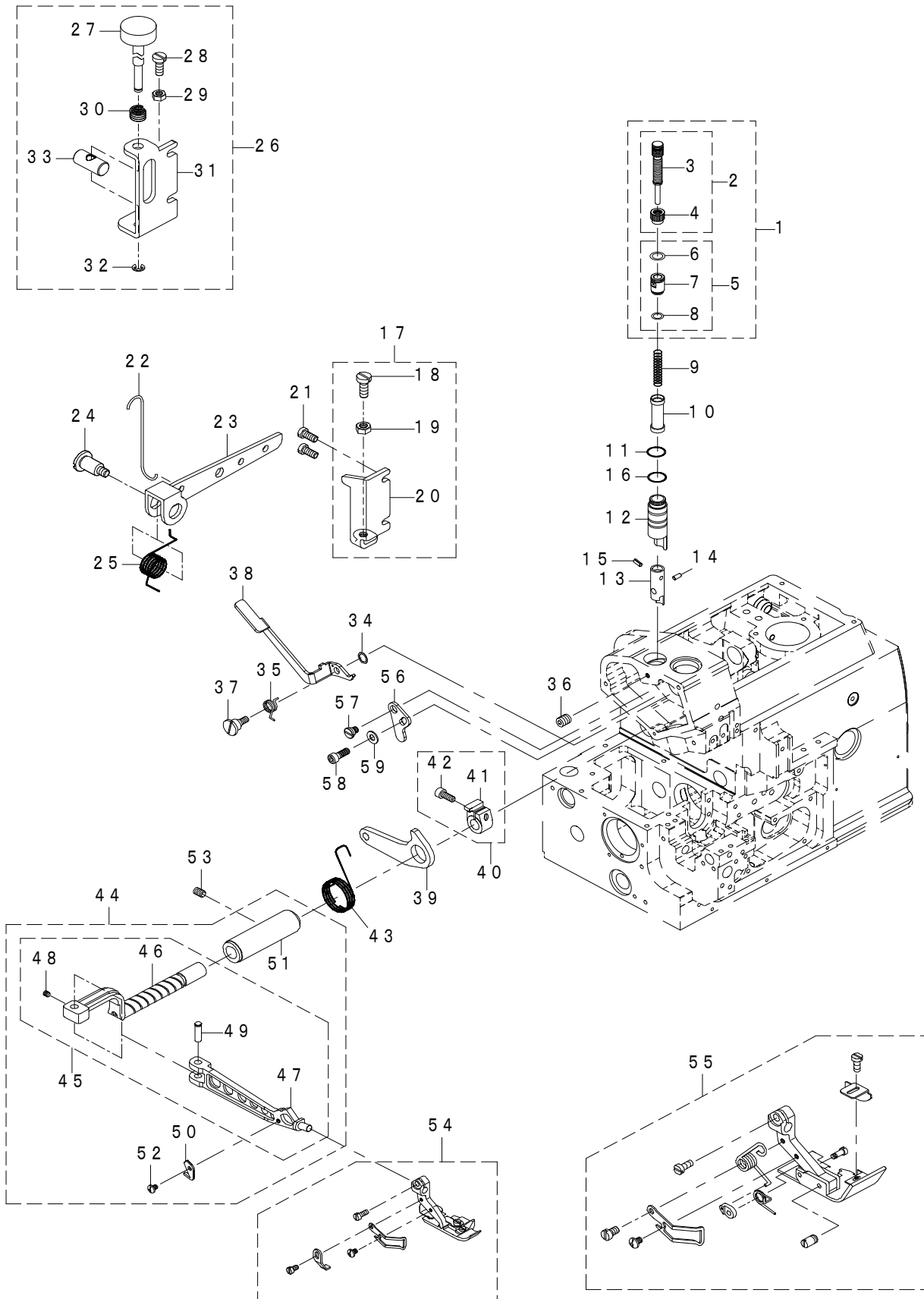
### 13. KNIFE COMPONENTS

MODEL	04 S / 14 S	16 S / 43 S
PARTS NO	23	24
	21	22
	16	17
	11	12
	9	10
	33	34
	28	29



REF.NO	NOTE	PART NO	DESCRIPTION	Qty
1		700-00230	SHAFT	1
2		700-00235	SWING AXLE	1
3		700-00269	OIL SEAL	1
4		700-00237	BUSHING	1
5		700-00436	COLLAR	2
6		700-00434	COLLAR	(2)
7		700-00522	E_SCREW	(2)
8		700-00236	BUSHING	1
9	#01	401-78003	KNIFE SEAT COMB.	1
10	#02	401-59734	KNIFE SEAT COMB	1
11	#01	401-72528	KNIFE SEAT	(1)
12	#02	401-72529	KNIFE SEAT	(1)
13		700-00229	KNIFE	(1)
14		700-00347	GASKET	(1)
15		700-00510	E_SCREW	(1)
16	#01	401-59729	CONNECTING ROD	1
17	#02	401-59732	CONNECTING ROD	1
18		401-59728	CONNECTING ROD	(1)
19		401-59727	CONNECTING ROD	(1)
20		700-00578	M_SCREW	(2)
21	#01	700-00721	ROCKING BAR	(1)
22	#02	700-00842	ROCKING BAR COMB.	(1)
23	#01	700-00720	ROCKING BAR	(1)
24	#02	700-00841	ROCKING BAR	(1)
25		700-00590	M_SCREW	(1)
26		401-59726	PIN	(1)
27		700-00522	E_SCREW	(1)
28	#01	700-00402	KNIFE SEAT COMB.	1
29	#02	700-00845	KNIFE SEAT COMB.	1
30		700-00399	KNIFE	(1)
31		700-00400	FIXED PLATE	(1)
32		700-00517	E_SCREW	(1)
33	#01	700-00403	KNIFE SEAT	(1)
34	#02	700-00813	KNIFE SEAT	(1)
35		700-00521	E_SCREW	1
36		700-00603	SPRING	1
37		700-00524	E_SCREW	1
38		700-00401	FIXED PLATE	1
39		700-00515	E_SCREW	2
	NOTE		#01....FOR 04S,14S #02....FOR 16S,43S	

# 14. PRESSER FOOT COMPONENTS

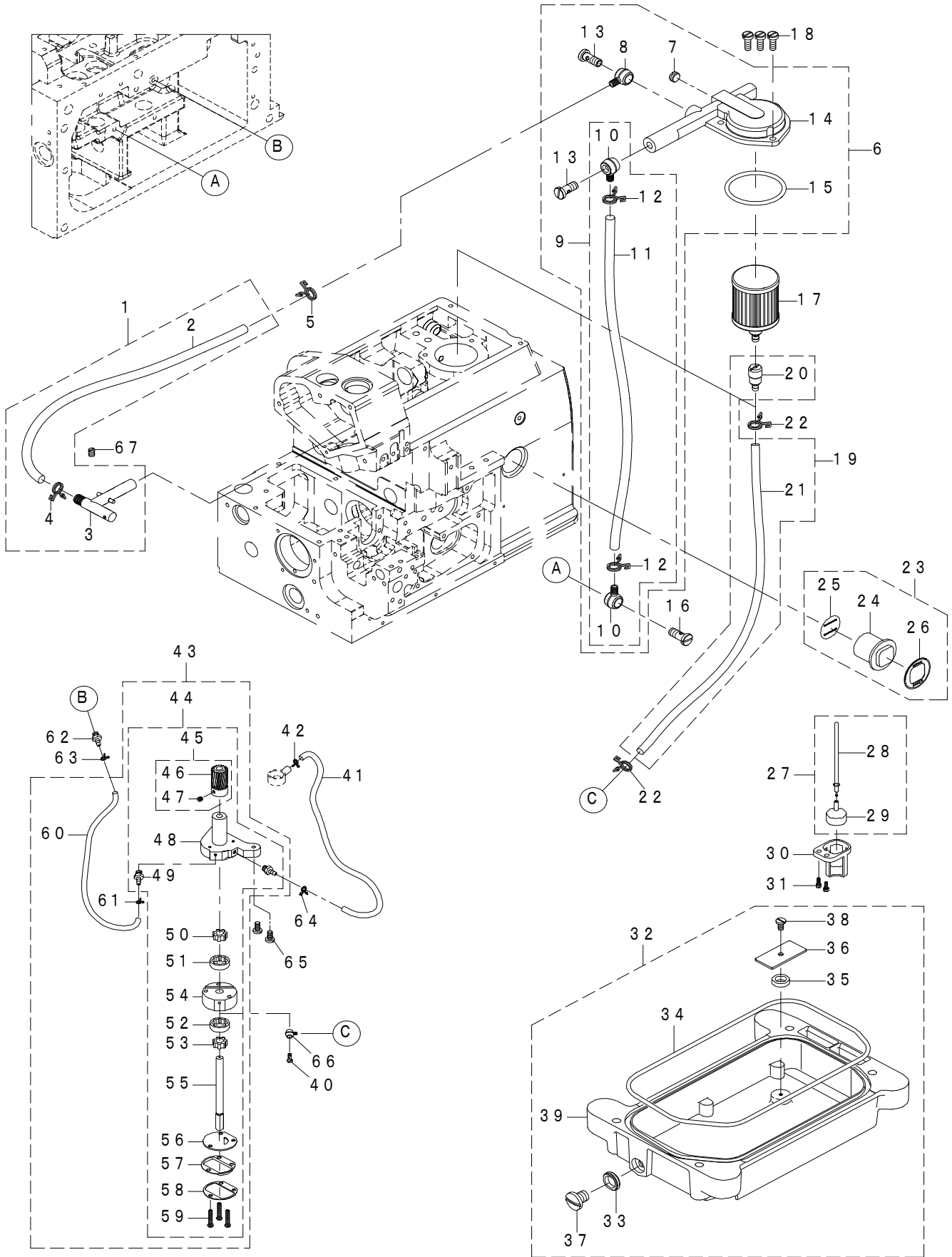


REF.NO	NOTE	PART NO	DESCRIPTION	Qty
1		401-59745	SCREW ROD COMB.	1
2		401-59746	SCREW ROD COMB.	(1)
3		401-59741	SCREW ROD	(1)
4		401-59742	NUT	(1)
5		401-59744	FIXED BUTTON	(1)
6		700-00141	O-RING	(1)
7		401-59743	FIXED BUTTON	(1)
8		700-00142	O-RING	(1)
9		700-00608	SPRING	1
10		401-59753	THIMBLE	1
11		700-00142	O-RING	1
12		401-70670	PRESSER FOOT ARM	1
13		700-00309	SLIDER	1
14		700-00664	SHAFT	1
15		700-00669	PIN	1
16		700-00141	O-RING	1
17		700-00293	SUPPORTER	1
18		700-00584	M_SCREW	(1)
19		700-00458	NUT	(1)
20		700-00292	STOPPER	(1)
21		700-00515	E_SCREW	2
22		700-00294	HOOK BAR	1
23		700-00295	PRESSER FOOT ARM	1
24		700-00592	M_SCREW	1
25		700-00604	SPRING	1
26	#01	401-59749	SUPPORTER	1
27		401-59703	ADJUSTING SCREW	(1)
28		700-00584	M_SCREW	(1)
29		700-00458	NUT	(1)
30		401-59704	SPRING	(1)
31		401-59748	STOPPER	(1)
32		700-00131	E_CIRCLIPS	(1)
33		401-59750	BLOCK	(1)
34		700-00355	WASHER	1
35		401-59754	SPRING	1
36		700-00522	E_SCREW	1
37		700-00528	E_SCREW	1
38		401-59752	LEVER	1
39		700-00291	DRAG LINK	1
40		700-00302	COLLAR	1
41		700-00301	COLLAR	(1)
42		401-59751	M_SCREW	(1)
43		700-00605	SPRING	1
44		401-78006	PRESSER FOOT SEAT COMB.	1
45		401-78007	PRESSER BAR COMB.	(1)
46		401-72530	PRESSER FOOT LIFTING LEVER	(1)
47		700-00297	PRESSER FOOT ARM	(1)
48		700-00566	M_SCREW	(1)
49		700-00673	SHAFT	(1)
50		700-00176	KNIFE	(1)
51		700-00303	BUSHING	(1)
52		700-00538	E_SCREW	(1)
53		700-00522	E_SCREW	1
54	#02	*****	PRESSER FOOT	1
55	#02	*****	PRESSER FOOT	1
56		401-72531	PRESSER ARM STOPPER	1
57		401-78005	E_SCREW	1
58		700-00561	E_SCREW	1
59		700-00349	WASHER	1

NOTE

#01....OPTIONAL PARTS  
#02....REFER "MO-6800S GAUGE TABLE"

# 15. LUBRICATION MECHANISM COMPONENTS

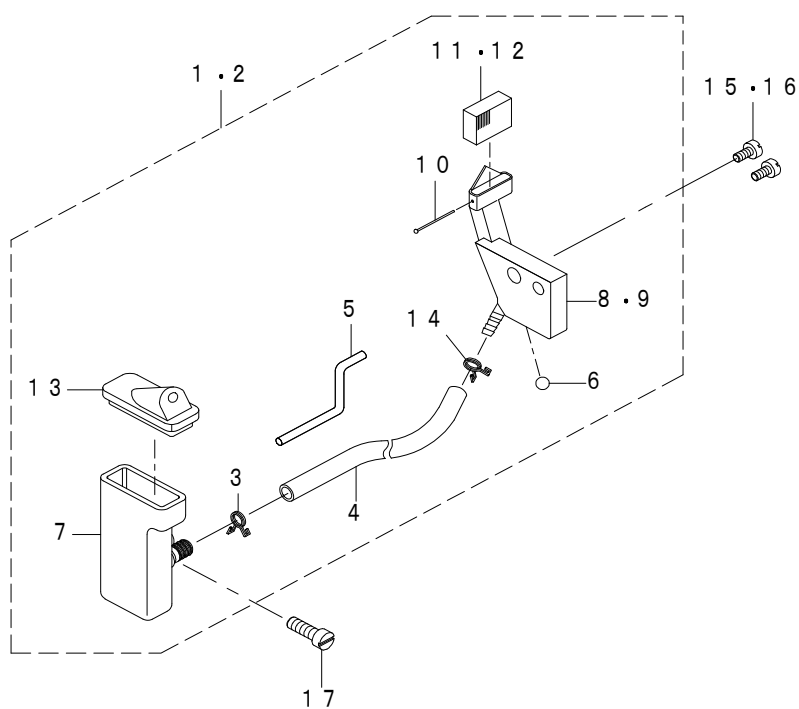




REF.NO	NOTE	PART NO	DESCRIPTION	Qty
1		402-35227	OIL_TUBE_GROUP	1
2		402-35229	HOSE	(1)
3		700-00631	OIL TUBE	(1)
4		700-00658	SPRING CLAMP	(1)
5		700-00658	SPRING CLAMP	1
6		402-35230	OIL_FILTER_ASM.	1
7		402-35232	M_SCREW	(1)
8		401-59760	JOINT	(1)
9		402-35233	OIL_TUBE_GROUP	(1)
10		700-00323	JOINT	(2)
11		402-35234	HOSE	(1)
12		700-00658	SPRING CLAMP	(2)
13		700-00532	E_SCREW	(2)
14		402-35231	OIL_FILTER	(1)
15		700-00144	OIL_FILTER	(1)
16		700-00532	E_SCREW	1
17		700-00312	OIL FILTER	1
18		700-00520	E_SCREW	3
19		700-00328	OIL TUBE COMB.	1
20		700-00428	JOINT	(1)
21		700-00326	HOSE	(1)
22		700-00658	SPRING CLAMP	2
23		401-59762	OIL LEVEL INSPECTION LENS COMB.	1
24		700-00157	OIL LEVEL INSPECTION LENS	(1)
25		700-00158	NAME PLATE	(1)
26		401-59761	NAME PLATE	(1)
27		700-00160	OIL INDICATOR ROD COMB.	1
28		700-00159	OIL INDICATOR ROD	(1)
29		700-00261	OIL INDICATOR	(1)
30		700-00262	BAFFLE	1
31		700-00521	E_SCREW	2
32		401-59764	OIL RESERVOIR COMB.	1
33		700-00146	O-RING	(1)
34		700-00273	OIL SEAL	(1)
35		700-00381	MAGNET	(1)
36		700-00382	BAFFLE	(1)
37		700-00533	E_SCREW	(1)
38		700-00518	E_SCREW	(1)
39		401-59763	OIL RESERVOIR COMB.	(1)
40		700-00532	E_SCREW	1
41		700-00318	HOSE	1
42		700-00657	SPRING CLAMP	1
43		700-00716	PUMP COMB.	1
44		700-00715	PUMP COMB.	(1)
45		700-00260	GEAR	(1)
46		700-00258	WORM WHEEL	(1)
47		700-00582	M_SCREW	(1)
48		700-00713	PUMP BODY	(1)
49		700-00322	JOINT	(2)
50		401-59765	GEAR	(1)
51		700-00148	GEAR	(1)
52		700-00148	GEAR	(1)
53		401-59765	GEAR	(1)
54		700-00714	PUMP BODY	(1)
55		700-00712	SHAFT	(1)
56		700-00717	PUMP COVER	(1)
57		700-00710	FILTER NET	(1)
58		700-00711	GASKET	(1)
59		700-00575	M_SCREW	(3)
60		700-00324	HOSE	(1)
61		700-00657	SPRING CLAMP	(1)
62		700-00322	JOINT	1
63		700-00657	SPRING CLAMP	1
64		700-00657	SPRING CLAMP	1
65		700-00527	E_SCREW	2
66		700-00323	JOINT	1
67		700-00522	E_SCREW	1

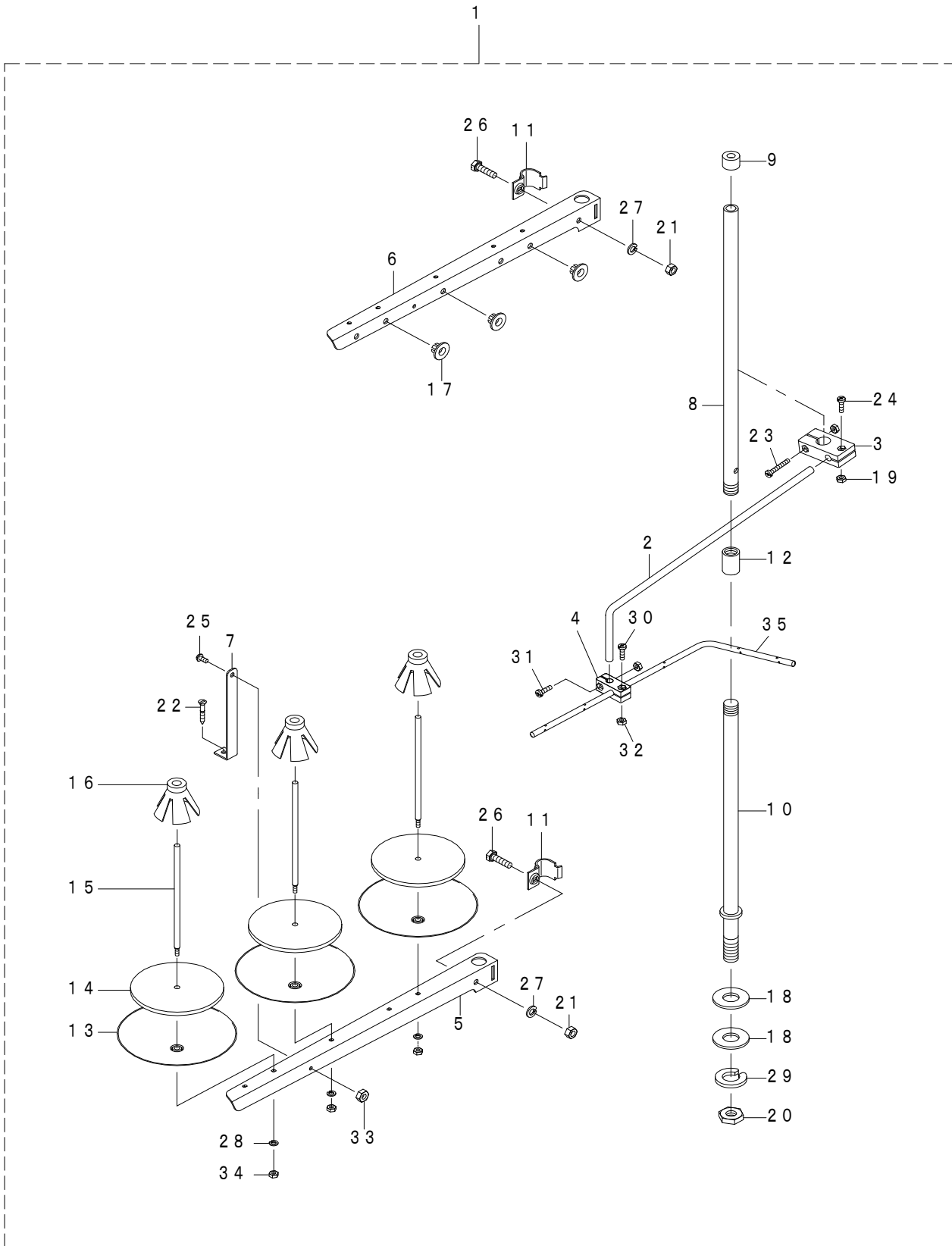
## 16. NEEDLE COOLER UNIT COMPONENTS

MODEL	0 4 S / 1 4 S	1 6 S / 4 3 S
PARTS NO	1 1	1 2
	8	9
	1	2
	1 5	1 6



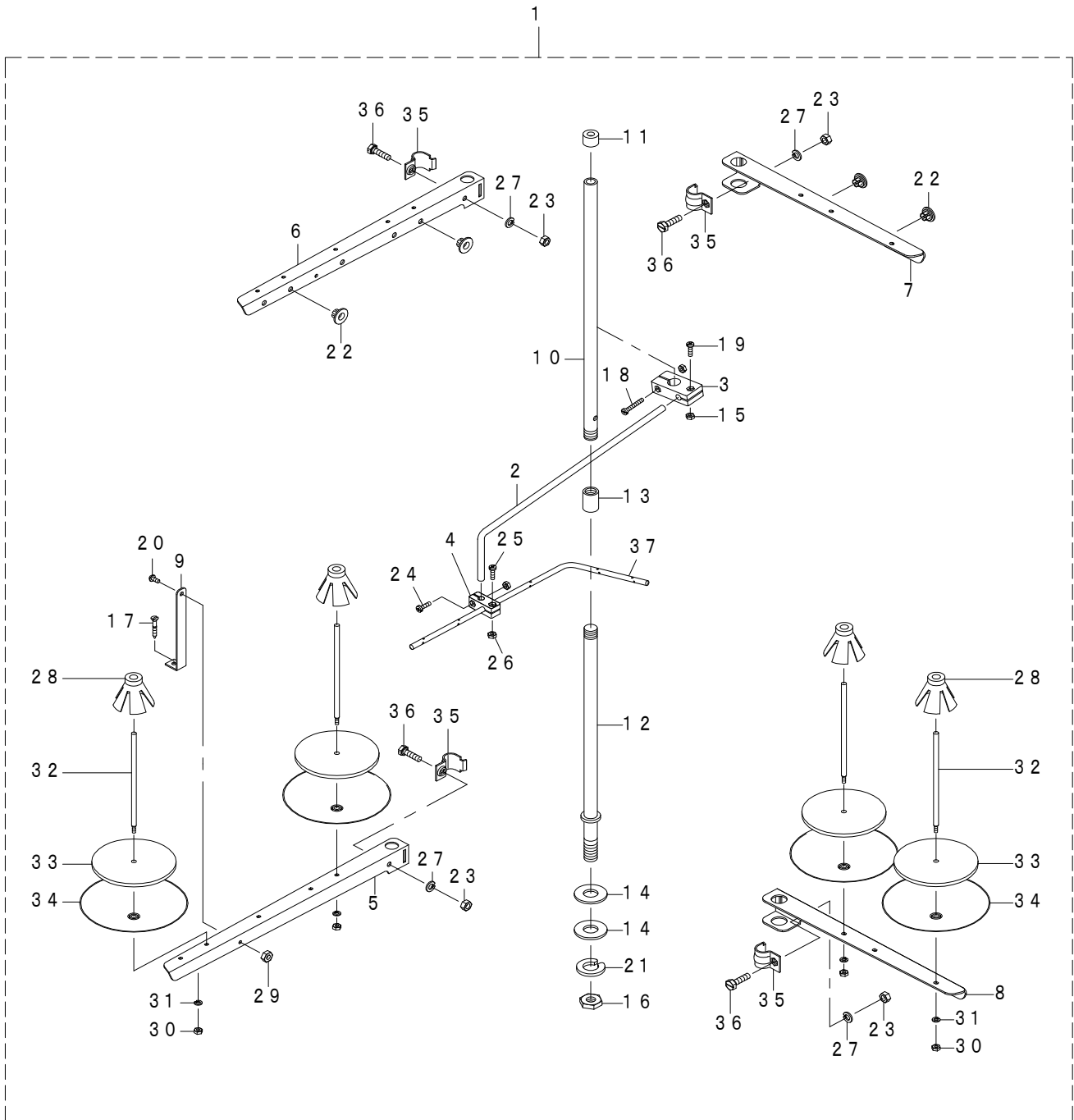
REF.NO	NOTE	PART NO	DESCRIPTION	Qty
1	#01	401-59772	OILER	1
2	#02	401-59775	OILER	1
3		700-00658	SPRING CLAMP	(1)
4		401-59768	HOSE	(1)
5		401-59769	OIL WICK	(1)
6		401-59770	BALL	(1)
7		401-59771	OILER	(1)
8	#01	401-59776	DIVIDING SEAT	(1)
9	#02	401-59774	DIVIDING SEAT	(1)
10		401-59778	NAIL	(1)
11	#01	401-59777	OIL FELT	(1)
12	#02	401-59773	OIL FELT	(1)
13		401-59779	OILER COVER	(1)
14		700-00658	SPRING CLAMP	(1)
15	#01	700-00526	E_SCREW	1
16	#02	700-01060	E_SCREW	2
17		402-35245	E_SCREW	1
		NOTE	#01.....FOR 04S,14S	
			#02.....FOR 16S,43S	

# 17. THREAD STAND COMPONENTS (FOR MO-6804S)



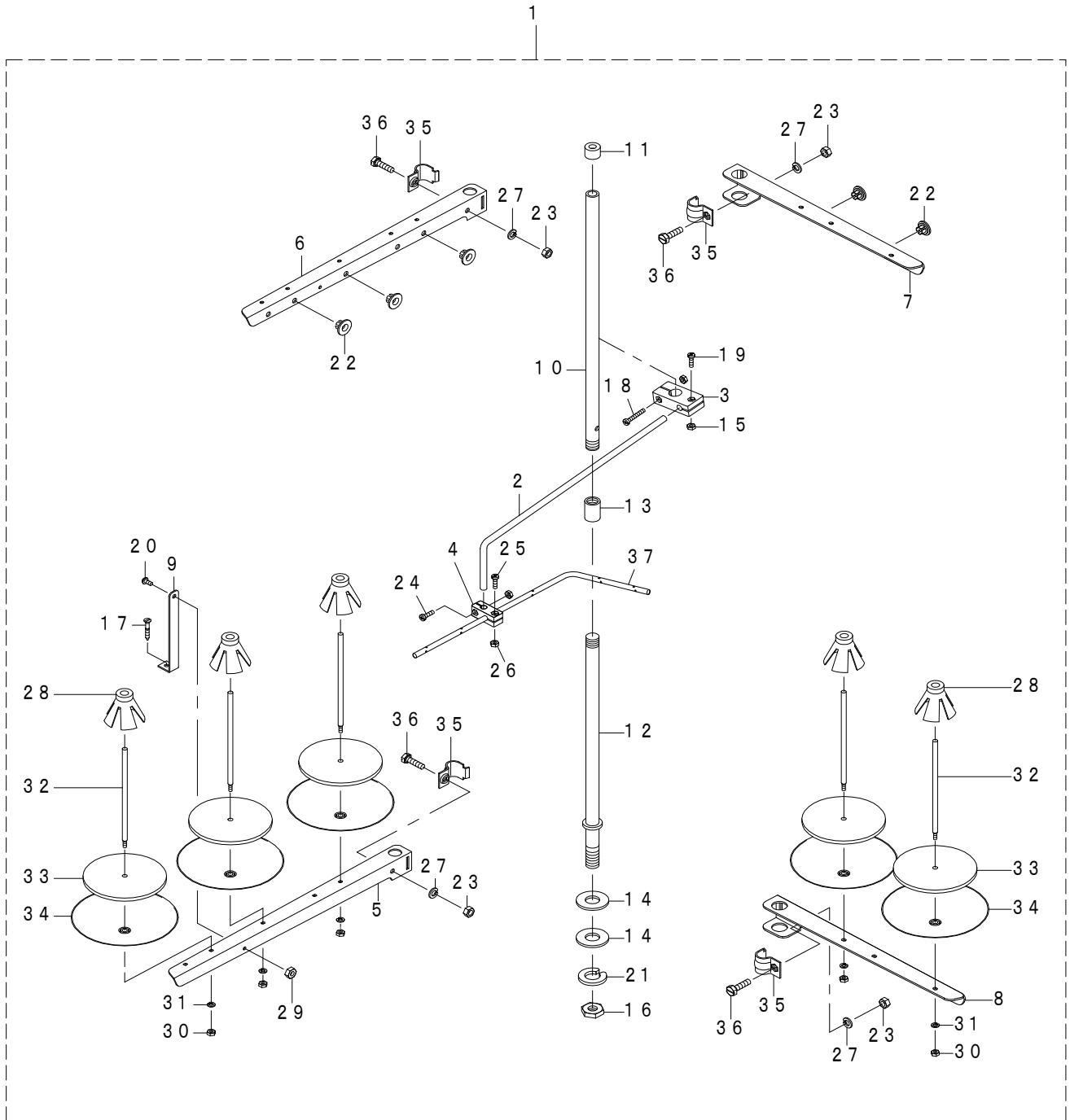
REF.NO	NOTE	PART NO	DESCRIPTION	Qty
1		401-79483	THREAD STAND COMB.	1
2		700-00179	THREAD GUIDE BAR	(1)
3		700-00180	FIXED SEAT	(1)
4		700-00181	FIXED SEAT	(1)
5		700-00182	THREAD GUIDE BAR	(1)
6		700-00183	THREAD GUIDE BAR	(1)
7		700-00186	SUPPORTER	(1)
8		700-00188	THREAD STAND ROD	(1)
9		700-00189	THREAD STAND COVER	(1)
10		700-00190	THREAD STAND ROD	(1)
11		700-00191	FIXED PLATE	(2)
12		700-00192	CONNECTING LOOP	(1)
13		700-00215	COILING SEAT	(3)
14		700-00216	SPONGY CUSHION	(3)
15		700-00217	CONNECTING LOOP	(3)
16		700-00218	THREAD STEADY BALL SEAT	(3)
17		700-00219	PLUG	(3)
18		700-00354	WASHER	(2)
19		700-00454	NUT	(2)
20		700-00455	NUT	(1)
21		700-00456	NUT	(2)
22		700-00547	E_SCREW	(1)
23		700-00579	M_SCREW	(1)
24		700-00580	M_SCREW	(1)
25		700-00581	M_SCREW	(1)
26		700-00589	M_SCREW	(2)
27		700-00611	WASHER	(2)
28		700-00615	WASHER	(3)
29		700-00618	WASHER	(1)
30		700-00580	M_SCREW	(1)
31		700-00580	M_SCREW	(1)
32		700-00454	NUT	(2)
33		700-00454	NUT	(1)
34		700-00454	NUT	(3)
35		700-00178	THREAD GUIDE PLATE	(1)

18. THREAD STAND COMPONENTS (FOR MO-6814S)



REF.NO	NOTE	PART NO	DESCRIPTION	Qty
1		401-79484	THREAD STAND COMB.	1
2		700-00179	THREAD GUIDE BAR	(1)
3		700-00180	FIXED SEAT	(1)
4		700-00181	FIXED SEAT	(1)
5		700-00182	THREAD GUIDE BAR	(1)
6		700-00183	THREAD GUIDE BAR	(1)
7		700-00184	THREAD GUIDE BAR	(1)
8		700-00185	THREAD GUIDE BAR	(1)
9		700-00186	SUPPORTER	(1)
10		700-00188	THREAD STAND ROD	(1)
11		700-00189	THREAD STAND COVER	(1)
12		700-00190	THREAD STAND ROD	(1)
13		700-00192	CONNECTING LOOP	(1)
14		700-00354	WASHER	(2)
15		700-00454	NUT	(2)
16		700-00455	NUT	(1)
17		700-00547	E_SCREW	(1)
18		700-00579	M_SCREW	(1)
19		700-00580	M_SCREW	(1)
20		700-00581	M_SCREW	(1)
21		700-00618	WASHER	(1)
22		700-00219	PLUG	(4)
23		700-00456	NUT	(4)
24		700-00580	M_SCREW	(1)
25		700-00580	M_SCREW	(1)
26		700-00454	NUT	(2)
27		700-00611	WASHER	(4)
28		700-00218	THREAD STEADY BALL SEAT	(4)
29		700-00454	NUT	(1)
30		700-00454	NUT	(4)
31		700-00615	WASHER	(4)
32		700-00217	CONNECTING LOOP	(4)
33		700-00216	SPONGY CUSHION	(4)
34		700-00215	COILING SEAT	(4)
35		700-00191	FIXED PLATE	(4)
36		700-00589	M_SCREW	(4)
37		700-00178	THREAD GUIDE PLATE	(1)

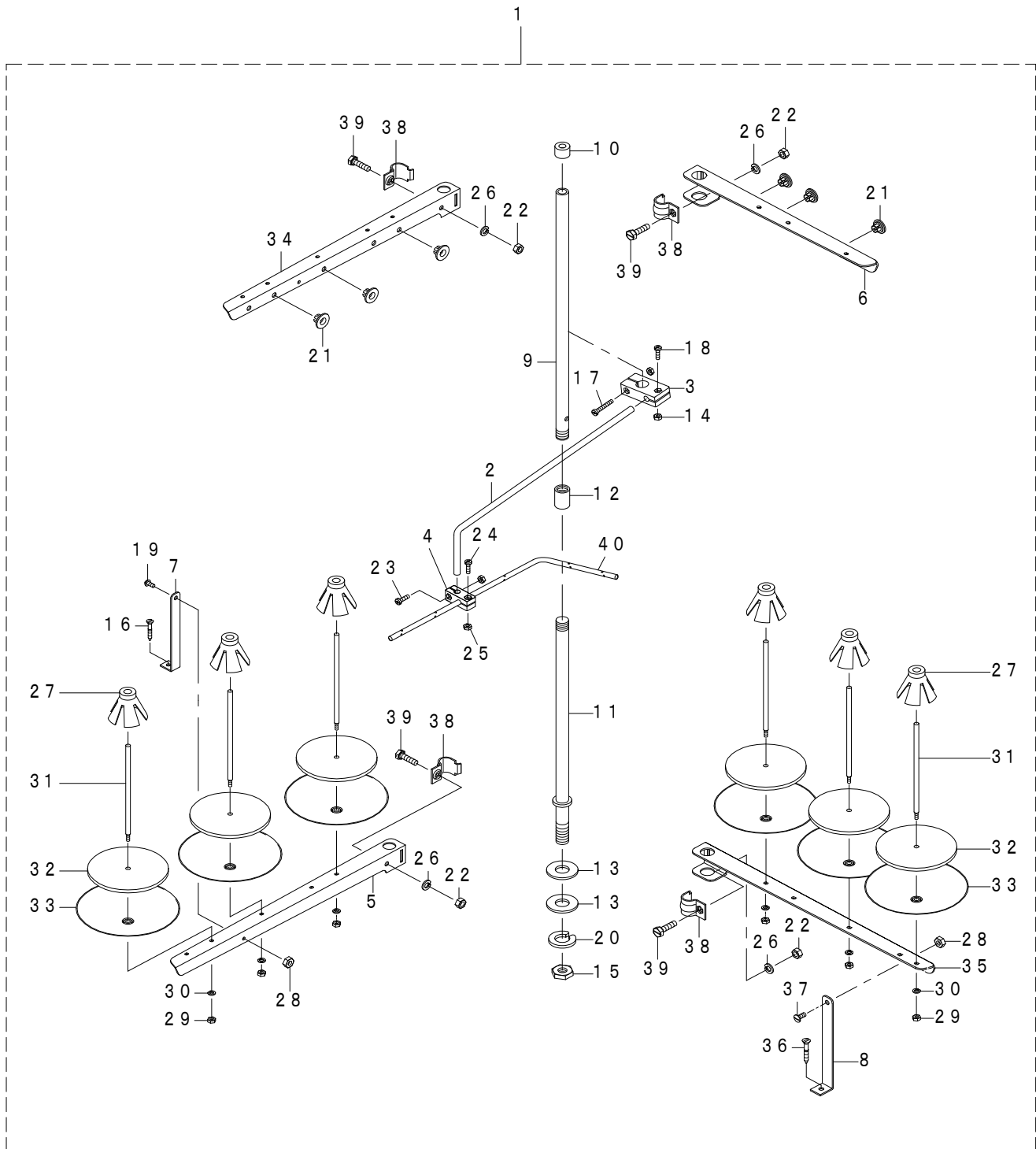
19. THREAD STAND COMPONENTS (FOR MO-6816S)





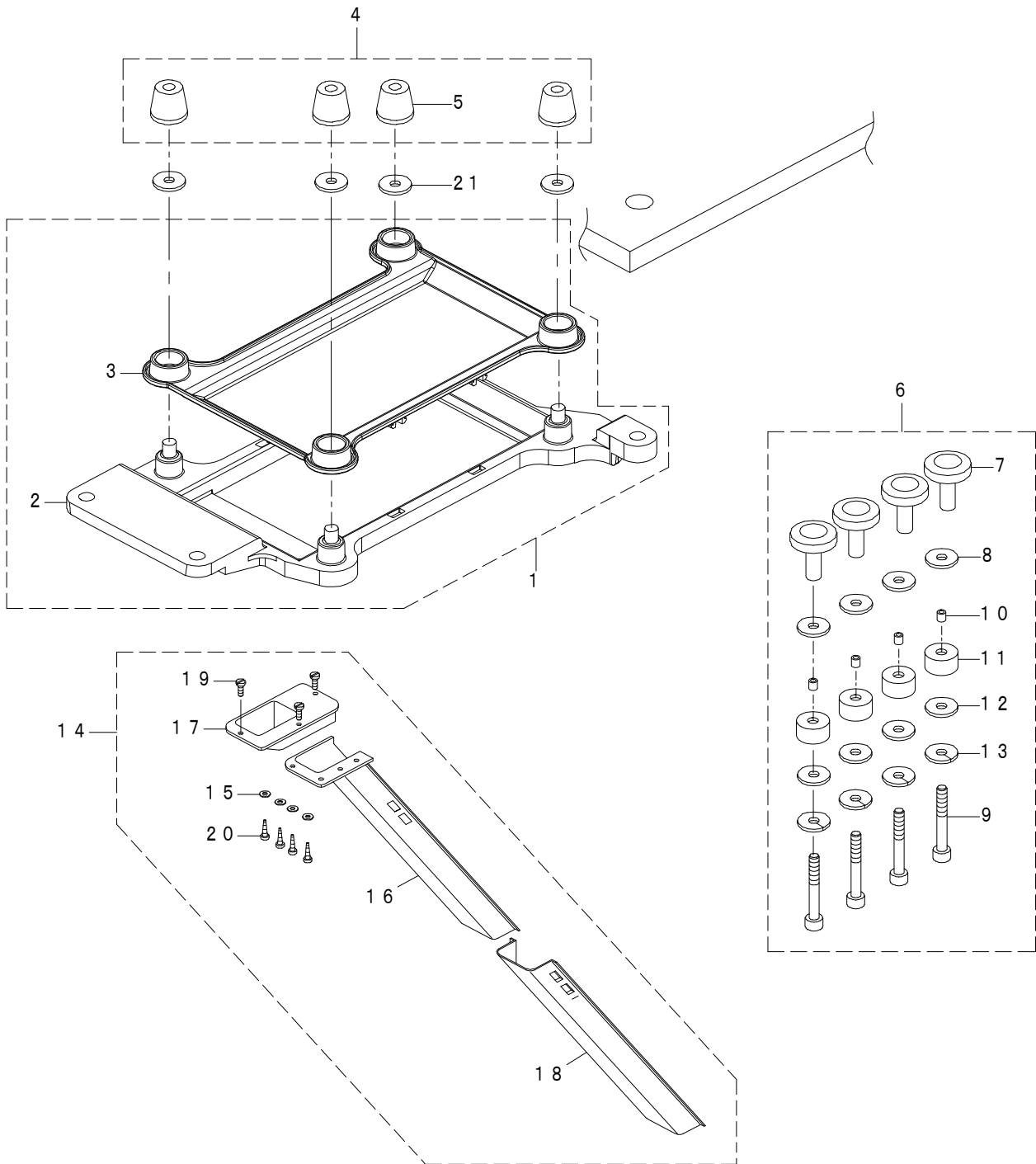
REF.NO	NOTE	PART NO	DESCRIPTION	Qty
1		401-79485	THREAD STAND COMB.	1
2		700-00179	THREAD GUIDE BAR	(1)
3		700-00180	FIXED SEAT	(1)
4		700-00181	FIXED SEAT	(1)
5		700-00182	THREAD GUIDE BAR	(1)
6		700-00183	THREAD GUIDE BAR	(1)
7		700-00184	THREAD GUIDE BAR	(1)
8		700-00185	THREAD GUIDE BAR	(1)
9		700-00186	SUPPORTER	(1)
10		700-00188	THREAD STAND ROD	(1)
11		700-00189	THREAD STAND COVER	(1)
12		700-00190	THREAD STAND ROD	(1)
13		700-00192	CONNECTING LOOP	(1)
14		700-00354	WASHER	(2)
15		700-00454	NUT	(2)
16		700-00455	NUT	(1)
17		700-00547	E_SCREW	(1)
18		700-00579	M_SCREW	(1)
19		700-00580	M_SCREW	(1)
20		700-00581	M_SCREW	(1)
21		700-00618	WASHER	(1)
22		700-00219	PLUG	(5)
23		700-00456	NUT	(4)
24		700-00580	M_SCREW	(1)
25		700-00580	M_SCREW	(1)
26		700-00454	NUT	(2)
27		700-00611	WASHER	(4)
28		700-00218	THREAD STEADY BALL SEAT	(5)
29		700-00454	NUT	(1)
30		700-00454	NUT	(5)
31		700-00615	WASHER	(5)
32		700-00217	CONNECTING LOOP	(5)
33		700-00216	SPONGY CUSHION	(5)
34		700-00215	COILING SEAT	(5)
35		700-00191	FIXED PLATE	(4)
36		700-00589	M_SCREW	(4)
37		700-00177	THREAD GUIDE BAR	(1)

20. THREAD STAND COMPONENTS (FOR MO-6843S)



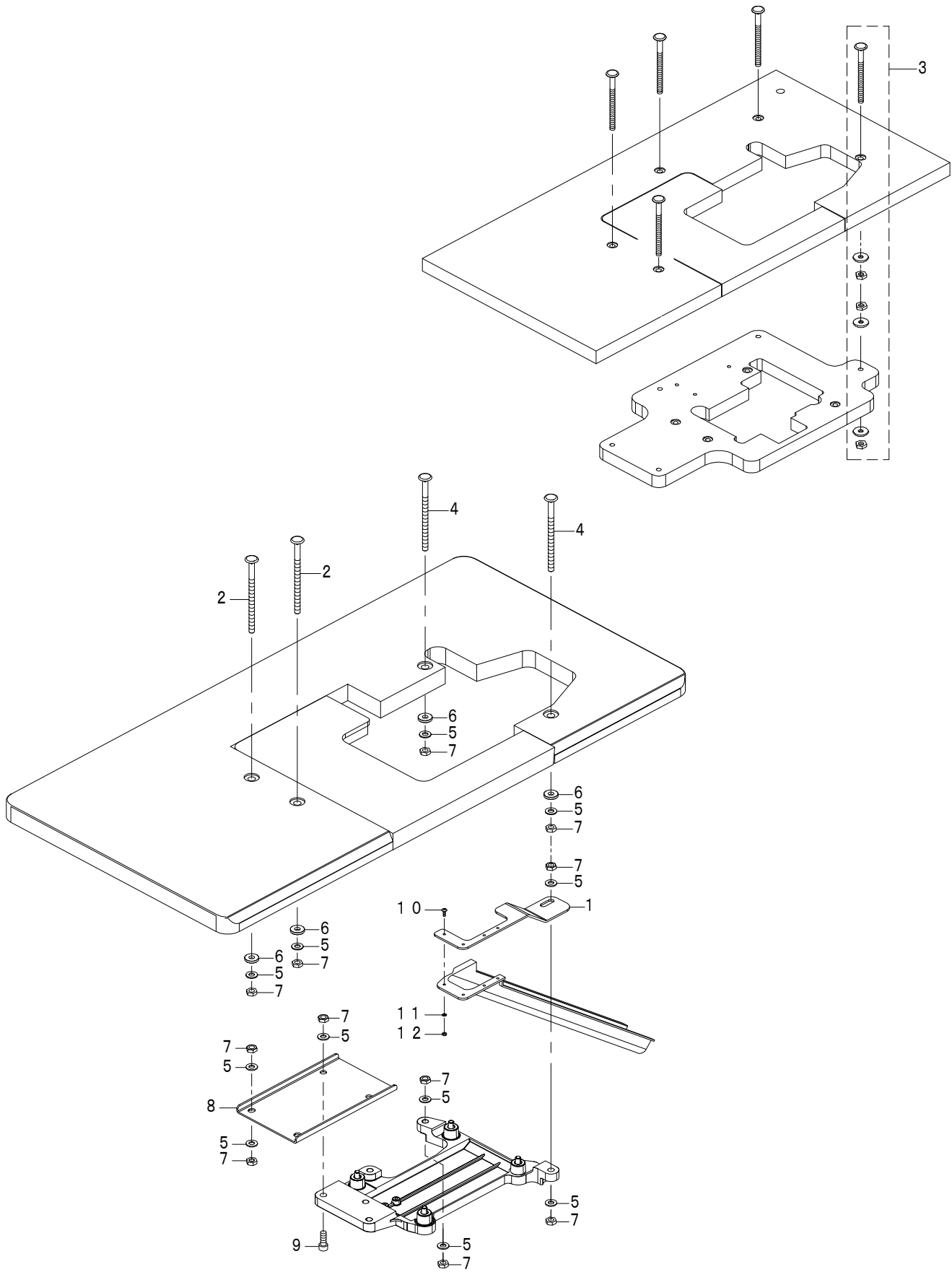
REF.NO	NOTE	PART NO	DESCRIPTION	Qty
1		401-79486	THREAD STAND COMB.	1
2		700-00179	THREAD GUIDE BAR	(1)
3		700-00180	FIXED SEAT	(1)
4		700-00181	FIXED SEAT	(1)
5		700-00182	THREAD GUIDE BAR	(1)
6		700-00183	THREAD GUIDE BAR	(1)
7		700-00186	SUPPORTER	(1)
8		700-00187	SUPPORTER	(1)
9		700-00188	THREAD STAND ROD	(1)
10		700-00189	THREAD STAND COVER	(1)
11		700-00190	THREAD STAND ROD	(1)
12		700-00192	CONNECTING LOOP	(1)
13		700-00354	WASHER	(2)
14		700-00454	NUT	(2)
15		700-00455	NUT	(1)
16		700-00547	E_SCREW	(1)
17		700-00579	M_SCREW	(1)
18		700-00580	M_SCREW	(1)
19		700-00581	M_SCREW	(1)
20		700-00618	WASHER	(1)
21		700-00219	PLUG	(6)
22		700-00456	NUT	(4)
23		700-00580	M_SCREW	(1)
24		700-00580	M_SCREW	(1)
25		700-00454	NUT	(2)
26		700-00611	WASHER	(4)
27		700-00218	THREAD STEADY BALL SEAT	(6)
28		700-00454	NUT	(2)
29		700-00454	NUT	(6)
30		700-00615	WASHER	(6)
31		700-00217	CONNECTING LOOP	(6)
32		700-00216	SPONGY CUSHION	(6)
33		700-00215	COILING SEAT	(6)
34		700-00183	THREAD GUIDE BAR	(1)
35		700-00182	THREAD GUIDE BAR	(1)
36		700-00547	E_SCREW	(1)
37		700-00581	M_SCREW	(1)
38		700-00191	FIXED PLATE	(4)
39		700-00589	M_SCREW	(4)
40		700-00177	THREAD GUIDE BAR	(1)

## 21. SEMI-SUNKEN TYPE TABLE COMPONENTS



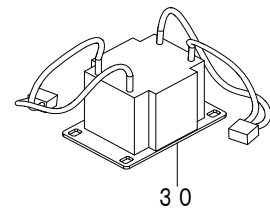
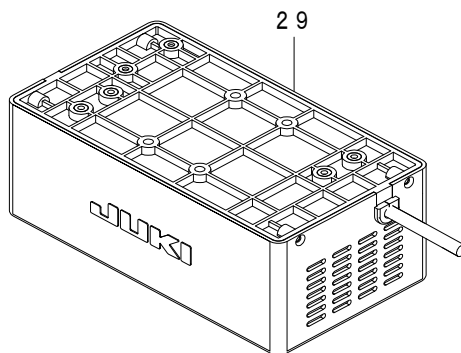
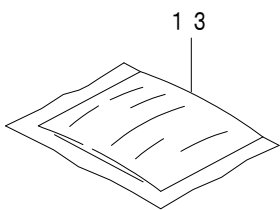
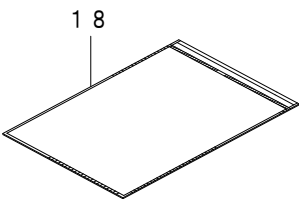
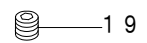
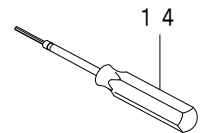
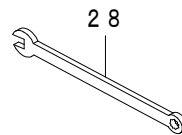
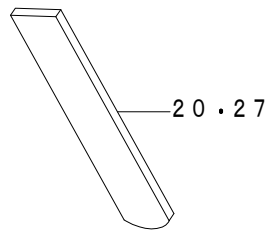
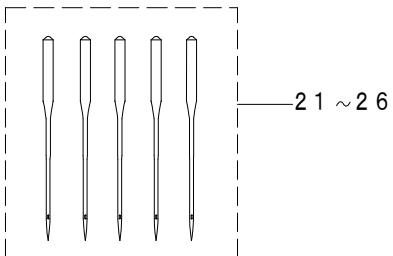
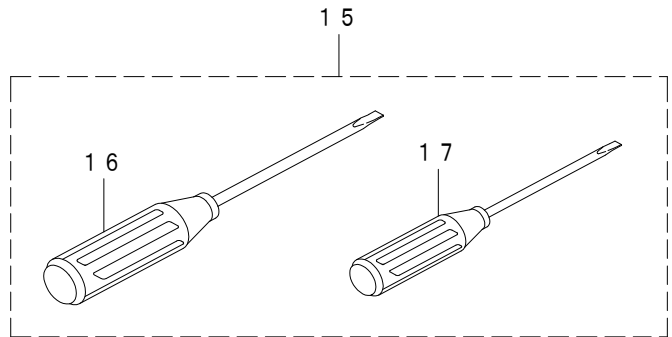
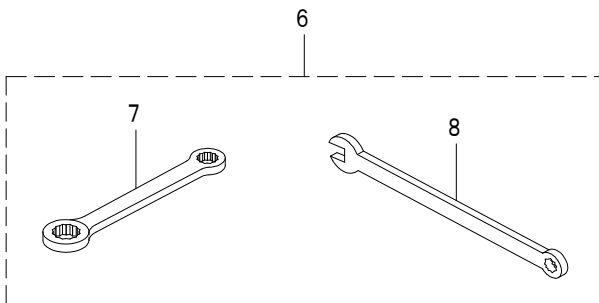
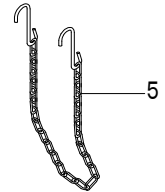
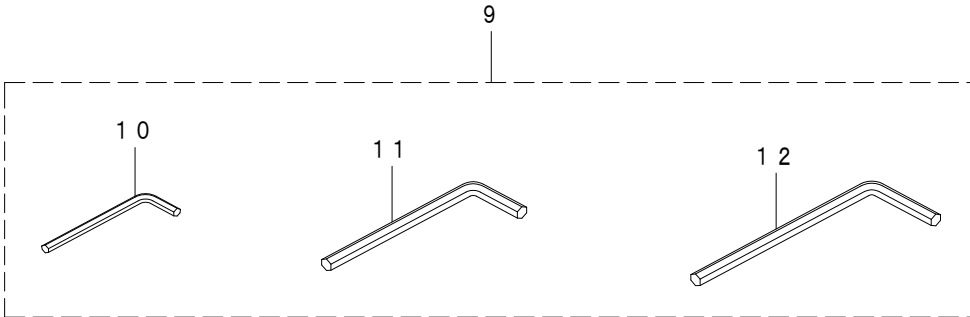
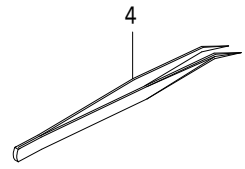
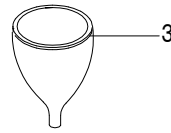
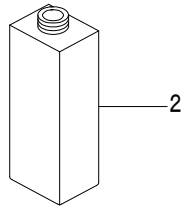
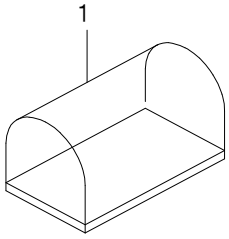
REF.NO	NOTE	PART NO	DESCRIPTION	Qty
1		700-00264	CHASSIS	1
2		700-00263	CHASSIS	(1)
3		700-00438	RUBBER PAD	(1)
4		700-00340	RUBBER BLOCK	1
5		700-00338	RUBBER BLOCK	(4)
6		700-00265	BOLT COMB.	1
7		700-00332	FIXED SHAFT	(4)
8		700-00339	RUBBER BLOCK	(4)
9		700-00707	BOLT	(4)
10		401-59780	GASKET	(4)
11		401-59781	GASKET	(4)
12		700-00348	WASHER	(4)
13		700-00617	WASHER	(4)
14		700-00484	WASTE FABRIC CHUTE COMB.	1
15		700-00352	WASHER	(4)
16		700-00482	WASTE FABRIC CHUTE	(1)
17		700-00483	WASTE FABRIC CHUTE	(1)
18		700-00485	WASTE FABRIC CHUTE	(1)
19		700-00540	E_SCREW	(3)
20		700-00541	E_SCREW	(4)
21		700-00339	RUBBER BLOCK	4

## 22. FULLY-SUNKEN TYPE TABLE COMPONENTS



REF.NO	NOTE	PART NO	DESCRIPTION	Qty
1		402-16755	FRAME HOLDING PLATE COUPLING	1
2		402-16756	HOLDING PLATE BOLT	2
3	#01	700-00884	BOLT ASM.	5
4		402-16747	HOLDING PLATE BOLT	2
5		700-00360	WASHER	14
6		402-16748	SPRING WASHER M10	4
7		700-00459	NUT M10X1.5 TYPE1	14
8		402-16751	FRAME HOLDING PLATE COUPLING	1
9		402-16752	SCREW M10 L=45	2
10		401-59563	SCREW M4X0.7 L=20	4
11		402-16753	WASHER M4	4
12		402-16754	NUT M4X0.7 TYPE1	4
	NOTE		#01....FIVE PARTS ENCLOSED WITH THE DOTTED LINEARE ENCLOSED	

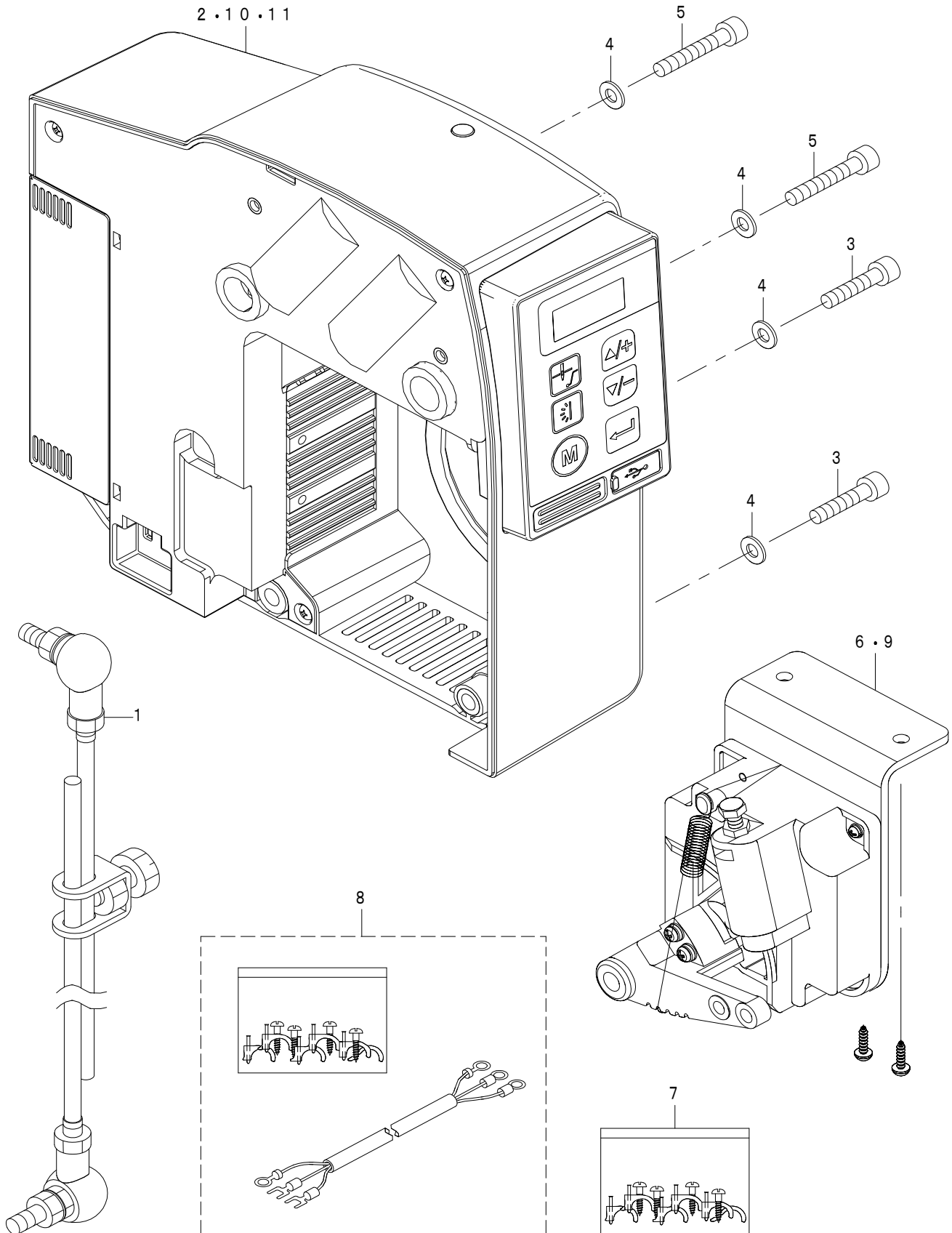
## 23. ACCESSORIES PARTS COMPONENTS





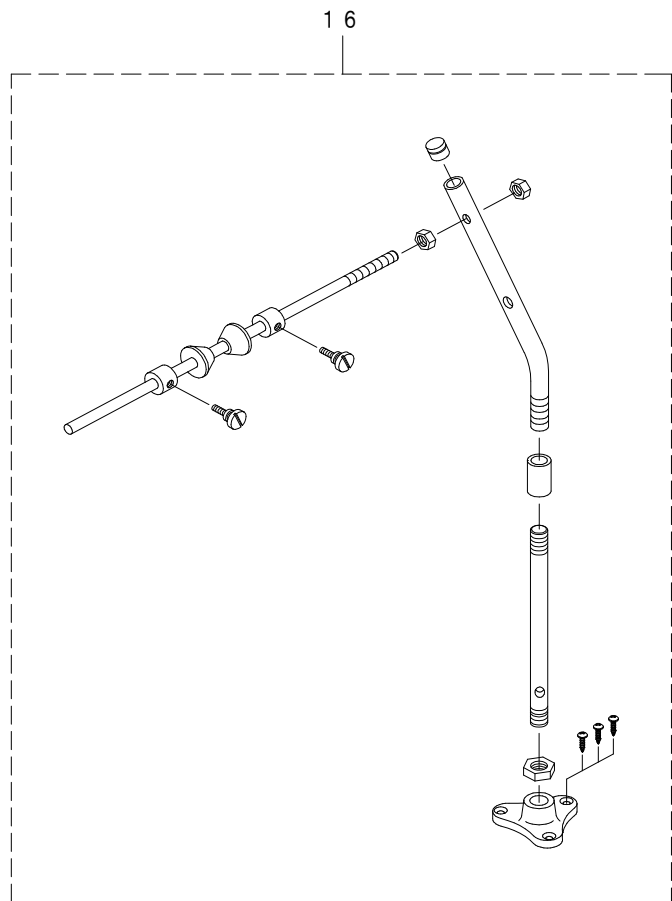
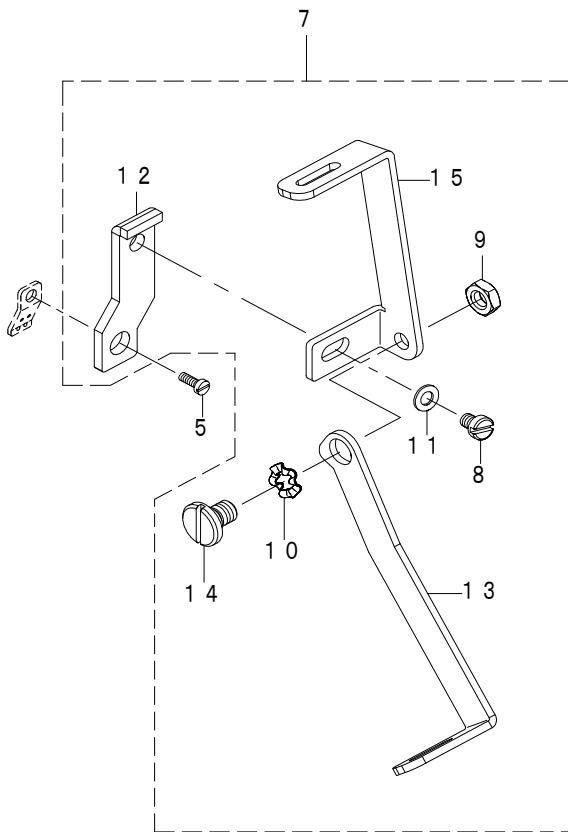
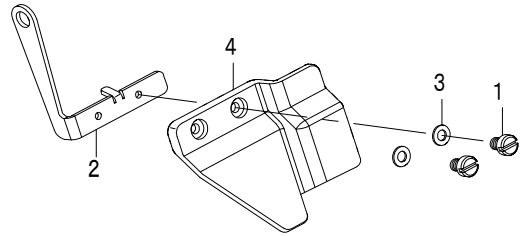
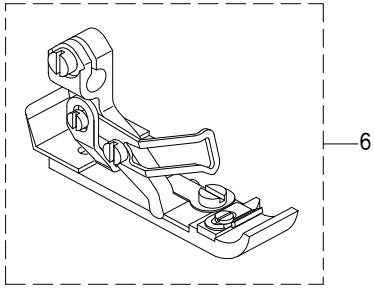
REF.NO	NOTE	PART NO	DESCRIPTION	Qty
1		402-35247	HEAD COVER	1
2		401-59785	SEWING OIL J18(3)	1
3		700-00757	FUNNEL	1
4		700-00759	TWEEZERS	1
5		700-00760	CHAIN	1
6		401-59796	SPANNER COMB.	1
7		401-59794	RING SPANNER	(1)
8		401-59795	SPANNER	(1)
9		401-59793	HEXAGONAL ROD SPANNER KEY COMB.	1
10		401-59789	HEXAGONAL ROD SPANNER KEY	(1)
11		401-59790	HEXAGONAL ROD SPANNER KEY	(1)
12		401-59791	HEXAGONAL ROD SPANNER KEY	(1)
13		700-00763	DESICCATIVE	1
14		700-00758	HEXAGON SCREWDRIVER	1
15		401-59792	SCREW DRIVER COMB.	1
16		401-59787	SCREW DRIVER	(1)
17		401-59788	SCREW DRIVER	(1)
18		700-00761	TOOL BAG	1
19		700-00498	E_SCREW	1
20		700-00399	KNIFE	1
21		MDC-270B1100	NEEDLE DCX27 #11	5
22	#01	MDC-270B0800	NEEDLE DCX27 #8	5
23	#02	MDC-270B0900	NEEDLE DCX27 #9	5
24	#03	MDC-270B1400	NEEDLE DCX27 #14	5
25	#04	MDC-270B1600	NEEDLE DCX27 #16	5
26	#05	MDC-270B2100	NEEDLE DCX27 #21	5
27	#05	401-78596	KNIFE	1
28		401-71278	RING SPANNER	1
29	* #06	402-42705	REACTOR_COVER_CABLE_SET_DD	1
30	* #06	402-42703	REACTOR_DD	1
		NOTE	#01....FOR 04S-150	
			#02....FOR 14S-24H	
			#03....FOR 14S-44H,43S	
			#04....FOR 16S-50H	
			#05....FOR 16S-60H	
			#06....TYPE CE	

# 24. PSC UNIT



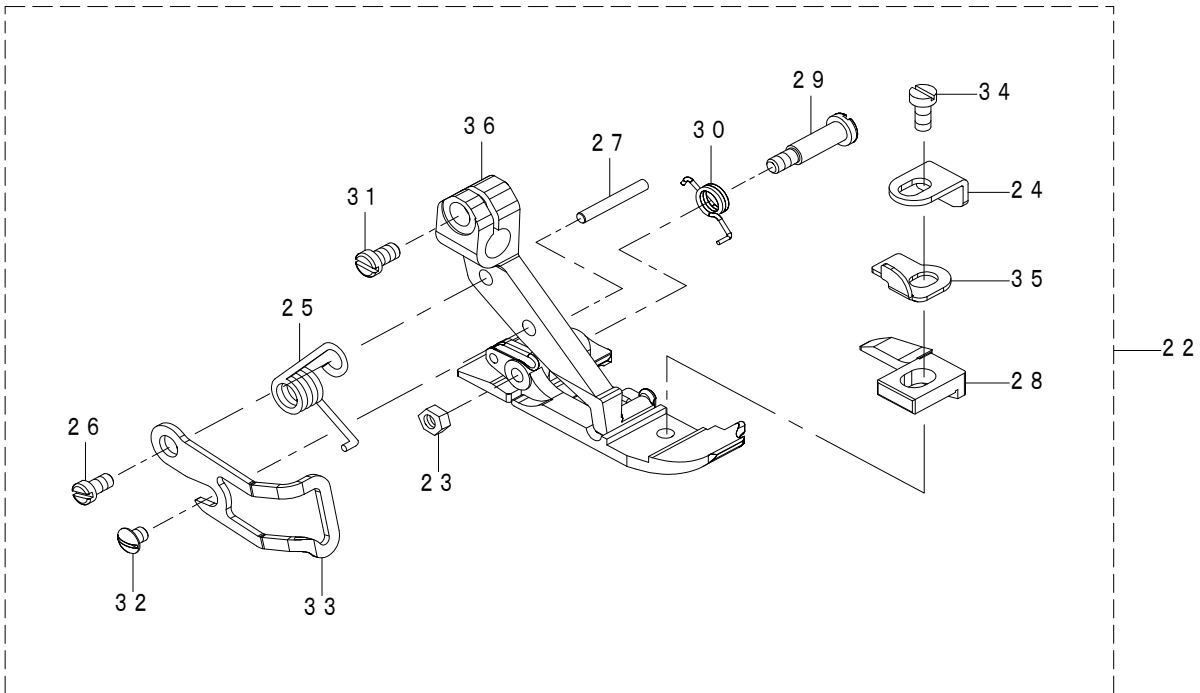
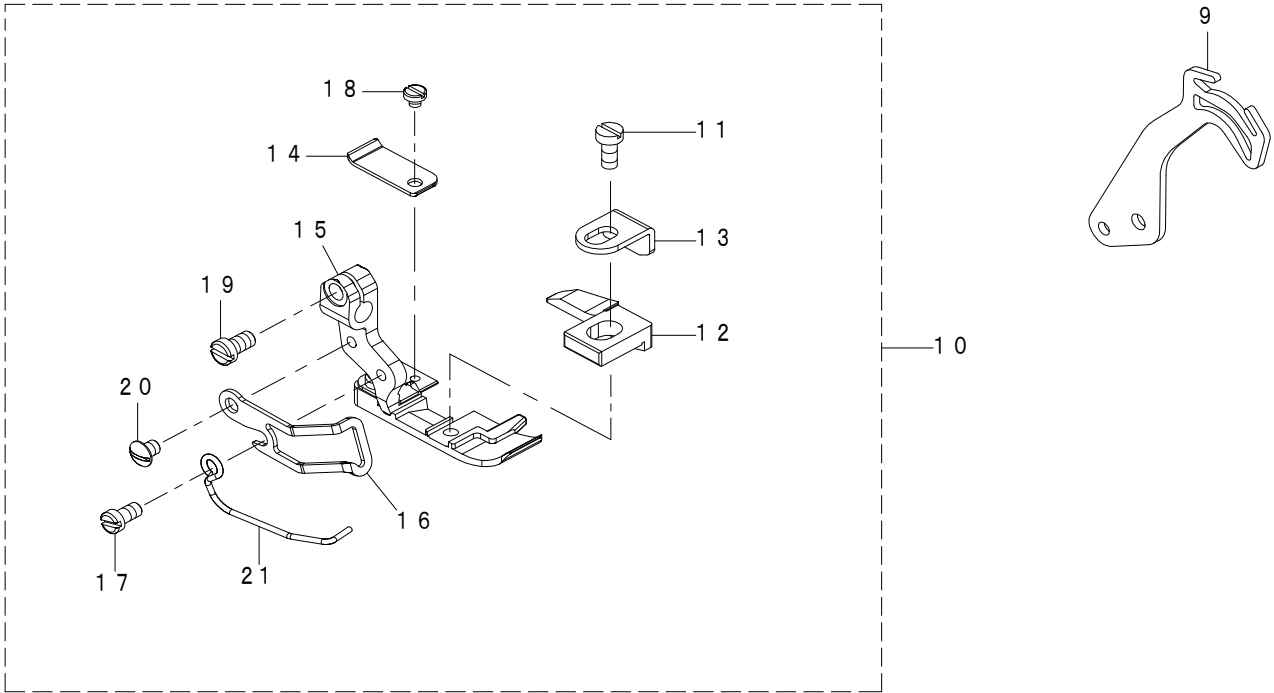
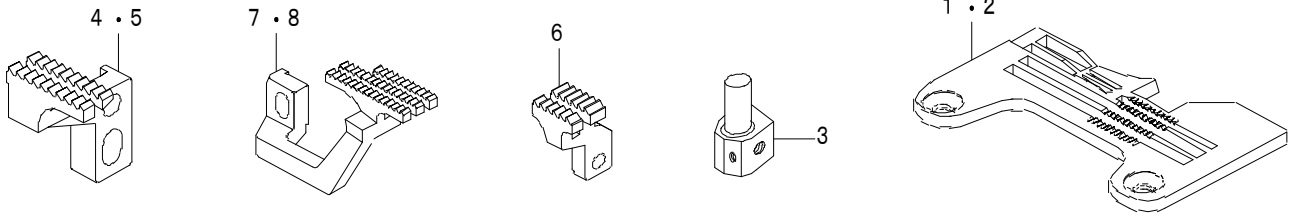
REF.NO	NOTE	PART NO	DESCRIPTION	Qty
1	*	402-44875	CONNECTING_ROD_ASSY	1
2		402-32945	CONTROL_BOX_MO68_DD10_1P	1
3		402-35238	M_SCREW	2
4		700-00356	WASHER	4
5		402-49102	M_SCREW	2
6	*	402-44874	PEDAL_SENSOR_BASE_ASSY	1
7	* #02	402-15705	ACCESSORIES_PARTS_ASSY	1
8	* #01	402-61292	ACCESSORIES PARTS ASSY CE	1
9	* #01	402-62046	PEDAL_SENSOR_BASE_ASSY_CE	1
10	* #01	402-35253	CONTROL_BOX_DD10_1P220-240V_CE	1
11	* #03	402-51545	CONTROL_BOX_MO68_DD10_1P120	1
		NOTE	#01....TYPE CE #02....EXCEPT CE #03....TYPE 110V	

## 25. TAPE INSERTION COMPONENTS



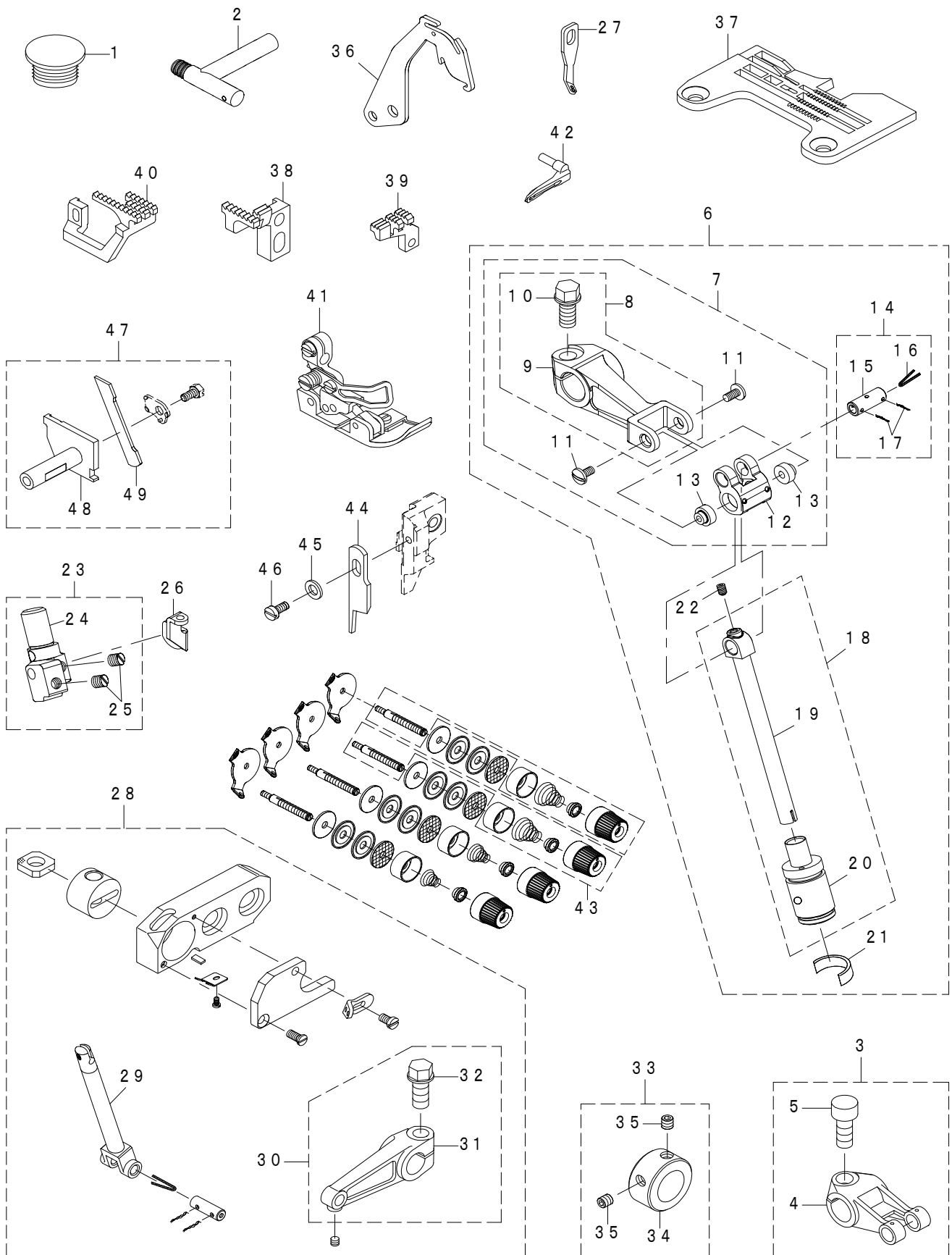
REF.NO	NOTE	PART NO	DESCRIPTION	Qty
1		700-00908	M_SCREW	2
2		401-59574	SAFETY PLATE BRACKET	1
3		401-59576	WASHER	2
4		401-59810	SAFETY PLATE	1
5		700-00549	E_SCREW	1
6		401-59817	PRESSER FOOT	1
7		401-59815	TAPE GUIDE COMB.	1
8		700-00908	M_SCREW	(1)
9		700-00452	NUT	(1)
10		700-00359	WASHER	(1)
11		401-59576	WASHER	(1)
12		401-59811	TAPE GUIDE	(1)
13		401-59813	TAPE GUIDE	(1)
14		401-59814	E_SCREW	(1)
15		401-59812	TAPE GUIDE	(1)
16	#01	700-00098	TAPE HOLDER	1
		NOTE	#01....OPTIONAL PARTS	

## 26. 30P COMPONENTS



REF.NO	NOTE	PART NO	DESCRIPTION	Qty
1	#01	401-64048	THROAT PLATE	1
2	#03	401-64049	THROAT PLATE	1
3	#01	401-64055	NEEDLE CLAMP	1
4	#01	401-64050	FEED DOG	1
5	#03	401-64052	FEED DOG	1
6	#02	401-64051	FEED DOG	1
7	#01	401-64044	FEED DOG	1
8	#03	401-64045	FEED DOG	1
9	#01	401-64056	THREAD TAKE-UP LEVER	1
10	#01	401-64021	PRESSER FOOT ASM.	1
11	#01	700-00558	E_SCREW	(1)
12	#01	401-64024	STITCH TONGUE	(1)
13	#01	401-64053	PRESSER FOOT 514_30P	(1)
14	#01	401-64026	REAR PRESSER FOOT	(1)
15	#01	401-64027	PRESSER FOOT HINGE	(1)
16	#01	700-00735	FINGER GUARD	(1)
17	#01	700-00500	E_SCREW	(1)
18	#01	700-00496	E_SCREW	(1)
19	#01	700-00505	E_SCREW	(1)
20	#01	700-00538	E_SCREW	(1)
21	#01	401-64028	PRESSER FOOT ARM SPRING	(1)
22	#03	401-64029	PRESSER FOOT ASM.	1
23	#03	401-64043	NUT	(1)
24	#03	401-64035	PRESSER FOOT	(1)
25	#03	401-64033	PRESSER FOOT ARM SPRING	(1)
26	#03	700-00500	E_SCREW	(1)
27	#03	401-64042	PIN	(1)
28	#03	401-64032	STITCH TONGUE	(1)
29	#03	401-64039	HINGE SCREW	(1)
30	#03	401-64037	SPRING	(1)
31	#03	700-00505	E_SCREW	(1)
32	#03	700-00538	E_SCREW	(1)
33	#03	401-64034	FINGER GUARD	(1)
34	#03	401-59855	E_SCREW	(1)
35	#03	401-64036	SPRING	(1)
36	#03	401-64038	PRESSER FOOT HINGE	(1)
	NOTE		#01....FOR 14S-BE6-30P #02....FOR 14S-BE6-30P,16S-DE4-30P #03....FOR 16S-DE4-30P	

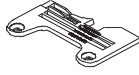
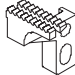

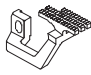
## 27. 60H COMPONENTS



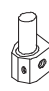





REF.NO	NOTE	PART NO	DESCRIPTION	Qty
1		401-78574	RUBBER PLUG	1
2		401-78575	OIL TUBE	1
3		401-78605	NEEDLE BAR ROCKER COMB.	1
4		401-78576	NEEDLE BAR ROCKER	(1)
5		700-00588	M_SCREW	(1)
6		401-78606	NEEDLE BAR COMB.	1
7		401-78607	NEEDLE BAR COMB.	(1)
8		401-78609	CONNECTING ROD COMB.	(1)
9		401-78577	CONNECTING ROD	(1)
10		700-00593	M_SCREW	(1)
11		401-78578	M_SCREW	(2)
12		401-78579	NEEDLE DRIVING LINK	(1)
13		401-78580	NEEDLE DRIVING ARM PIN	(2)
14		401-78608	SHAFT COMB.	(1)
15		401-78584	SHAFT	(1)
16		700-00729	OIL WICK	(1)
17		700-00728	OIL YARN	(2)
18		401-78616	NEEDLE BAR COMB.	(1)
19		401-78581	NEEDLE BAR	(1)
20		401-78583	BUSHING	(1)
21		700-00676	OIL FELT	(1)
22		401-78582	M_SCREW	(1)
23		700-00804	NEEDLE CLAMP	1
24		401-59613	NEEDLE CLAMP	(1)
25		700-00498	E_SCREW	(2)
26		401-78586	THREAD CROSSING	1
27		401-79600	THREAD GUIDE	1
28		401-78611	CONNECTING ROD SEAT COMB.	1
29		401-78613	LOOPER CONNECTING ROD COMB.	(1)
30		401-78612	CONNECTING ROD COMB.	(1)
31		401-78588	CONNECTING ROD	(1)
32		700-00593	M_SCREW	(1)
33		401-78610	COLLAR COMB.	1
34		401-78587	COLLAR	(1)
35		700-00522	E_SCREW	(2)
36		401-78585	THREAD TAKE-UP LEVER	1
37		401-78594	THROAT PLATE	1
38		401-78597	FEED DOG	1
39		401-78598	FEED DOG	1
40		401-78599	FEED DOG	1
41		401-78595	PRESSER FOOT ASM.	1
42		401-78592	LOOPER	1
43		401-78615	THREAD TENSION COMB. (Y2)	1
44		401-59725	KNIFE	1
45		700-00350	WASHER	1
46		700-00508	E_SCREW	1
47		401-78617	KNIFE SEAT COMB.	1
48		401-78600	KNIFE SEAT	(1)
49		401-78596	KNIFE	(1)

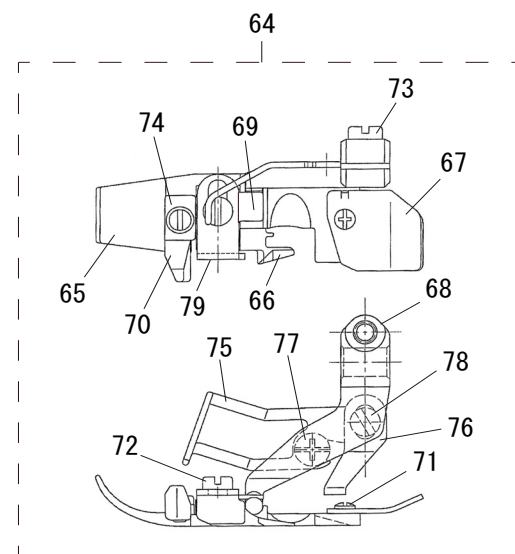
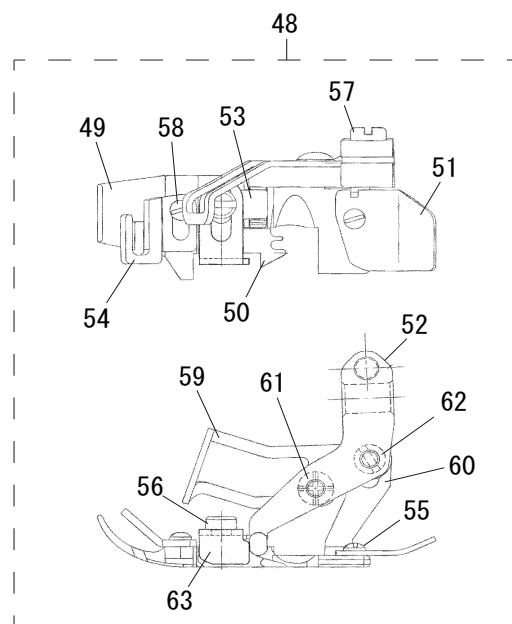
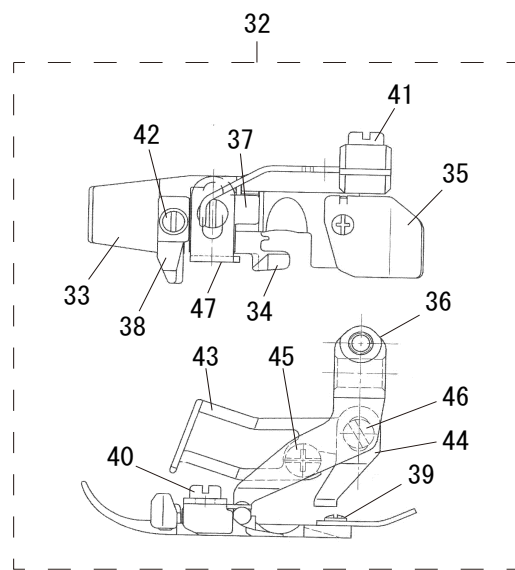
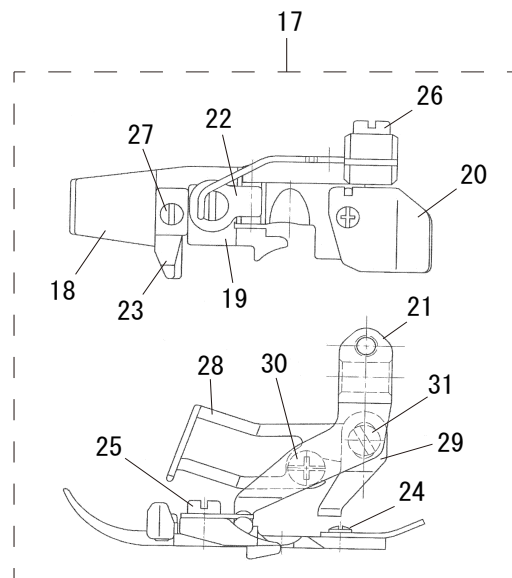
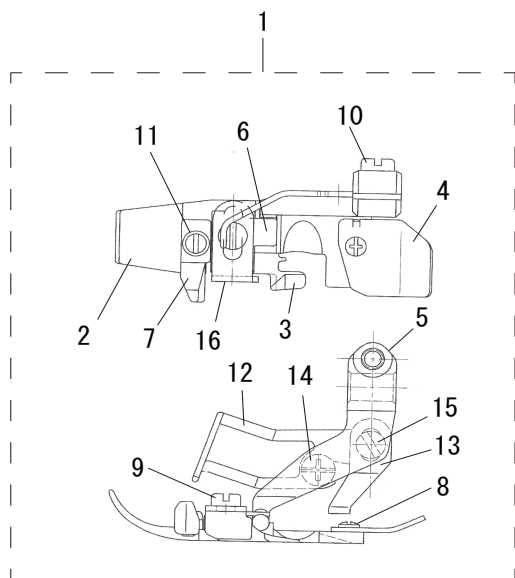
## 28. MO-6800S GAUGE TABLE

MODEL								
	THROAT PLATE		FEED DOG		FEED DOG		FEED DOG	
	No.		No.		No.		No.	
MO-6804S-0E4-30H	1	401-59827	18	401-59820	35	700-00782	52	401-59836
MO-6804S-0A4-150	2	401-59825	19	401-59820	36	700-00784	53	401-59836
MO-6814S-BD6-30H	3	401-59828	20	401-59822	37	700-00782	54	401-59837
MO-6814S-BD6-24H/G44/Q143	4	401-59828	21	401-59822	38	700-00782	55	401-59837
MO-6814S-BD6-34H/G44/Q143	5	401-59828	22	401-59822	39	700-00782	56	401-59837
MO-6814S-BE6-24H/G44/Q143	6	401-59829	23	401-59822	40	700-00782	57	401-59837
MO-6814S-BE6-34H/G44/Q143	7	401-59829	24	401-59822	41	700-00782	58	401-59837
MO-6814S-BE6-40H	8	401-59829	25	401-59822	42	700-00782	59	401-59837
MO-6814S-BE6-44H/G44/Q143	9	401-59829	26	401-59822	43	700-00782	60	401-59837
MO-6814S-BE6-30P	10	401-64049	27	401-64050	44	700-00782	61	401-64044
MO-6816S-DE6-30H	11	401-59830	28	401-59821	45	700-00782	62	401-59838
MO-6816S-FF6-30H	119	401-59831	120	401-59821	121	700-00782	122	401-59839
MO-6816S-FF6-50H	12	401-59834	29	401-59821	46	700-00782	63	401-59839
MO-6816S-FH6-60H	13	401-78594	30	401-78597	47	401-78598	64	401-78599
MO-6816S-DE4-30P	14	401-64049	31	401-64052	48	700-00782	65	401-64045
MO-6843S-1D6-40H	15	401-59833	32	401-59821	49	700-00782	66	401-59839
MO-6843S-2D6-40H	16	401-59832	33	401-59821	50	700-00782	67	401-59839
MO-6845S-FF6-360-N075	17	401-59826	34	401-59823	51	401-59824	68	401-59840

MODEL								
	PRESSER FOOT		LOOPER		NEEDLE CLAMP		NEEDLE	
	No.		No.		No.			
MO-6804S-0E4-30H	69	401-59844	86	700-00798	102	700-00801	DCX27#11	
MO-6804S-0A4-150	70	401-59842	87	700-00798	103	700-00801	DCX27#8	
MO-6814S-BD6-30H	71	401-69857	88	700-00238	104	700-00802	DCX27#11*2	
MO-6814S-BD6-24H/G44/Q143	72	401-59817	89	700-00238	105	700-00802	DCX27#9*2	
MO-6814S-BD6-34H/G44/Q143	73	401-59817	90	700-00238	106	700-00802	DCX27#11*2	
MO-6814S-BE6-24H/G44/Q143	74	401-59817	91	700-00238	107	700-00802	DCX27#9*2	
MO-6814S-BE6-34H/G44/Q143	75	401-59817	92	700-00238	108	700-00802	DCX27#11*2	
MO-6814S-BE6-40H	76	401-59843	93	700-00799	109	700-00802	DCX27#11*2	
MO-6814S-BE6-44H/G44/Q143	77	401-59817	94	700-00799	110	700-00802	DCX27#14*2	
MO-6814S-BE6-30P	78	401-64021	95	700-00238	111	401-64055	DCX27#11*2	
MO-6816S-DE6-30H	79	401-59849	96	700-00238	112	700-00803	DCX27#11*2	
MO-6816S-FF6-30H	123	401-59849	124	700-00238	125	700-00804	DCX27#11*2	
MO-6816S-FF6-50H	80	401-59849	97	700-00799	113	700-00804	DCX27#16*2	
MO-6816S-FH6-60H	81	401-78595	98	401-78592	114	700-00804	DCX27#21*2	
MO-6816S-DE4-30P	82	401-64029	99	700-00238	115	700-00803	DCX27#11*2	
MO-6843S-1D6-40H	83	401-59848	100	700-00238	116	700-00806	DCX27#11*3	
MO-6843S-2D6-40H	84	401-59847	101	700-00238	117	700-00805	DCX27#11*3	
MO-6845S-FF6-360-N075	85	401-59845	119	700-00798	118	401-59841	DCX27#14*2	

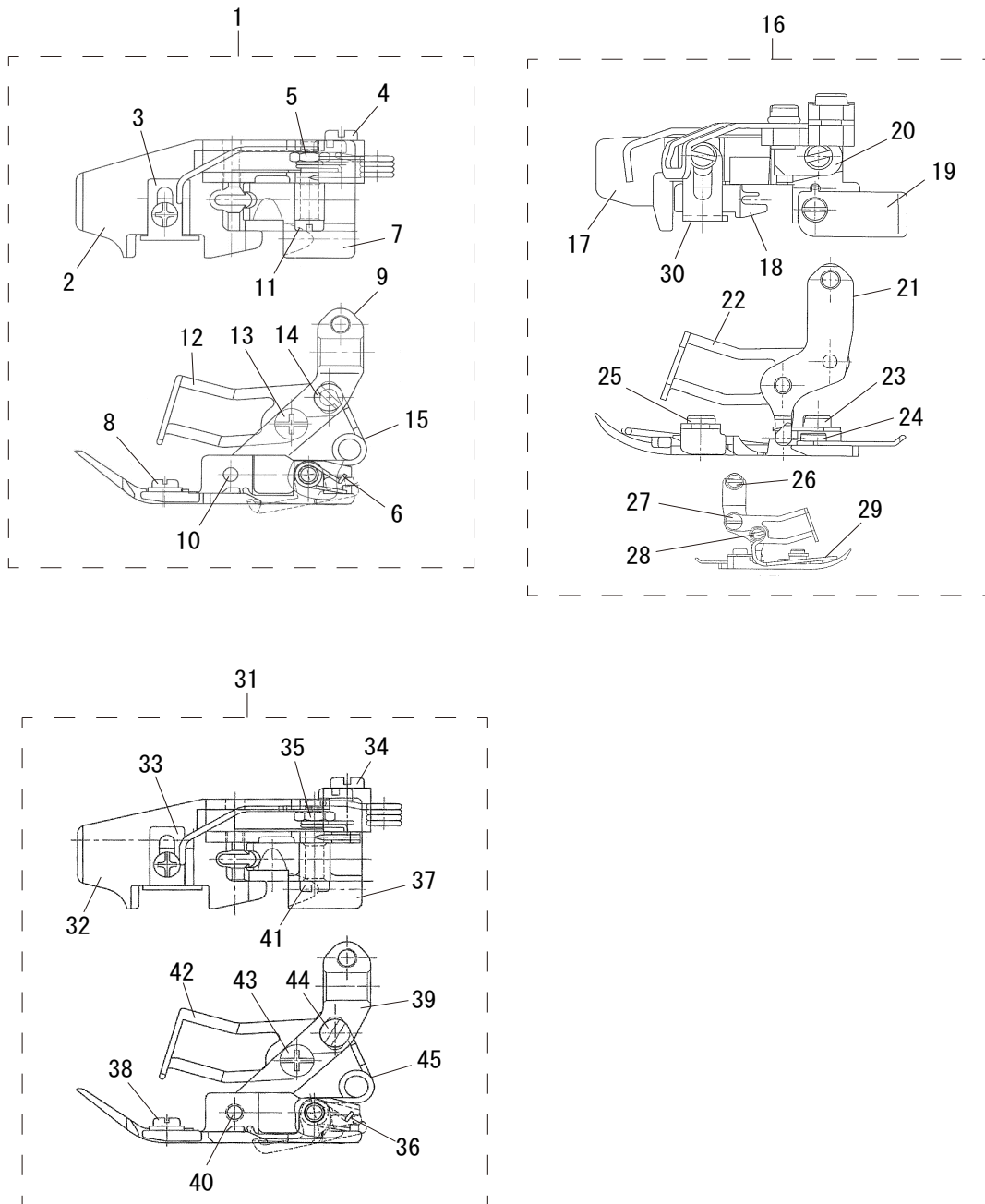
REF.NO	NOTE	PART NO	DESCRIPTION	Qty
1		401-59827	THROAT PLATE	1
2		401-59825	THROAT PLATE	1
3		401-59828	THROAT PLATE	1
4		401-59828	THROAT PLATE	1
5		401-59828	THROAT PLATE	1
6		401-59829	THROAT PLATE	1
7		401-59829	THROAT PLATE	1
8		401-59829	THROAT PLATE	1
9		401-59829	THROAT PLATE	1
10		401-64049	THROAT PLATE	1
11		401-59830	THROAT PLATE	1
12		401-59834	THROAT PLATE	1
13		401-78594	THROAT PLATE	1
14		401-64049	THROAT PLATE	1
15		401-59833	THROAT PLATE	1
16		401-59832	THROAT PLATE	1
17		401-59826	THROAT PLATE	1
18		401-59820	FEED DOG	1
19		401-59820	FEED DOG	1
20		401-59822	FEED DOG	1
21		401-59822	FEED DOG	1
22		401-59822	FEED DOG	1
23		401-59822	FEED DOG	1
24		401-59822	FEED DOG	1
25		401-59822	FEED DOG	1
26		401-59822	FEED DOG	1
27		401-64050	FEED DOG	1
28		401-59821	FEED DOG	1
29		401-59821	FEED DOG	1
30		401-78597	FEED DOG	1
31		401-64052	FEED DOG	1
32		401-59821	FEED DOG	1
33		401-59821	FEED DOG	1
34		401-59823	FEED DOG	1
35		700-00782	FEED DOG	1
36		700-00784	FEED DOG	1
37		700-00782	FEED DOG	1
38		700-00782	FEED DOG	1
39		700-00782	FEED DOG	1
40		700-00782	FEED DOG	1
41		700-00782	FEED DOG	1
42		700-00782	FEED DOG	1
43		700-00782	FEED DOG	1
44		700-00782	FEED DOG	1
45		700-00782	FEED DOG	1
46		700-00782	FEED DOG	1
47		401-78598	FEED DOG	1
48		700-00782	FEED DOG	1
49		700-00782	FEED DOG	1
50		700-00782	FEED DOG	1
51		401-59824	FEED DOG	1
52		401-59836	FEED DOG	1
53		401-59836	FEED DOG	1
54		401-59837	FEED DOG	1
55		401-59837	FEED DOG	1
56		401-59837	FEED DOG	1
57		401-59837	FEED DOG	1
58		401-59837	FEED DOG	1
59		401-59837	FEED DOG	1
60		401-59837	FEED DOG	1
61		401-64044	FEED DOG	1
62		401-59838	FEED DOG	1
63		401-59839	FEED DOG	1
64		401-78599	FEED DOG	1
65		401-64045	FEED DOG	1
66		401-59839	FEED DOG	1
67		401-59839	FEED DOG	1
68		401-59840	FEED DOG	1
69		401-59844	PRESSER FOOT ASM.	1
70		401-59842	PRESSER FOOT ASM.	1
71		401-69857	PRESSER FOOT ASM.	1
72		401-59817	PRESSER FOOT ASM.	1
73		401-59817	PRESSER FOOT ASM.	1
74		401-59817	PRESSER FOOT ASM.	1
75		401-59817	PRESSER FOOT ASM.	1
76		401-59843	PRESSER FOOT ASM.	1
77		401-59817	PRESSER FOOT ASM.	1
78		401-64021	PRESSER FOOT ASM.	1
79		401-59850	PRESSER FOOT ASM.	1
80		401-59849	PRESSER FOOT ASM.	1
81		401-78595	PRESSER FOOT ASM.	1
82		401-64029	PRESSER FOOT ASM.	1
83		401-59848	PRESSER FOOT ASM.	1
84		401-59847	PRESSER FOOT ASM.	1
85		401-59845	PRESSER FOOT ASM.	1
86		700-00798	LOOPER	1
87		700-00798	LOOPER	1
88		700-00238	LOOPER	1
89		700-00238	LOOPER	1
90		700-00238	LOOPER	1
91		700-00238	LOOPER	1
92		700-00238	LOOPER	1
93		700-00799	LOOPER	1
94		700-00799	LOOPER	1
95		700-00238	LOOPER	1
96		700-00238	LOOPER	1
97		700-00799	LOOPER	1
98		401-78592	LOOPER	1
99		700-00238	LOOPER	1
100		700-00238	LOOPER	1
101		700-00238	LOOPER	1
102		700-00801	NEEDLE CLAMP	1
103		700-00801	NEEDLE CLAMP	1
104		700-00802	NEEDLE CLAMP	1
105		700-00802	NEEDLE CLAMP	1
106		700-00802	NEEDLE CLAMP	1
107		700-00802	NEEDLE CLAMP	1
108		700-00802	NEEDLE CLAMP	1
109		700-00802	NEEDLE CLAMP	1
110		700-00802	NEEDLE CLAMP	1
111		401-64055	NEEDLE CLAMP	1
112		700-00803	NEEDLE CLAMP	1
113		700-00804	NEEDLE CLAMP	1
114		700-00804	NEEDLE CLAMP	1
115		700-00803	NEEDLE CLAMP	1
116		700-00806	NEEDLE CLAMP	1
117		700-00805	NEEDLE CLAMP	1
118		401-59841	NEEDLE CLAMP	1
119		700-00798	LOOPER	1
120		401-59831	THROAT PLATE	1
121		401-59821	FEED DOG	1
122		700-00782	FEED DOG	1
123		401-59839	FEED DOG	1
124		401-59849	PRESSER FOOT ASM.	1
125		700-00238	LOOPER	1
126		700-00804	NEEDLE CLAMP	1

29. MO-6800S GAUGE TABLE PRESSER FOOT COMPONENTS (1)



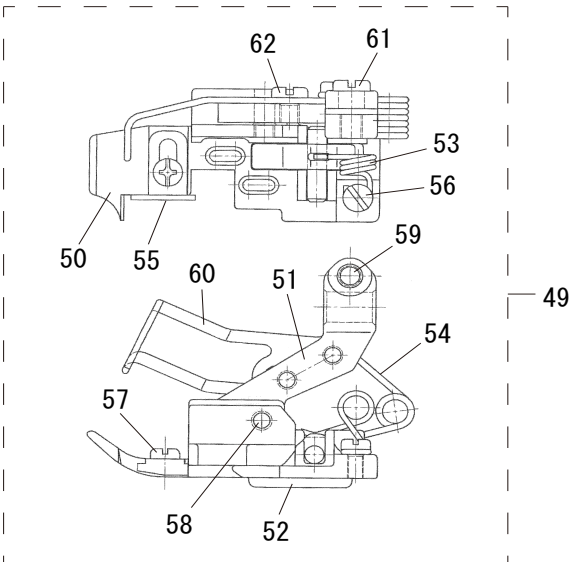
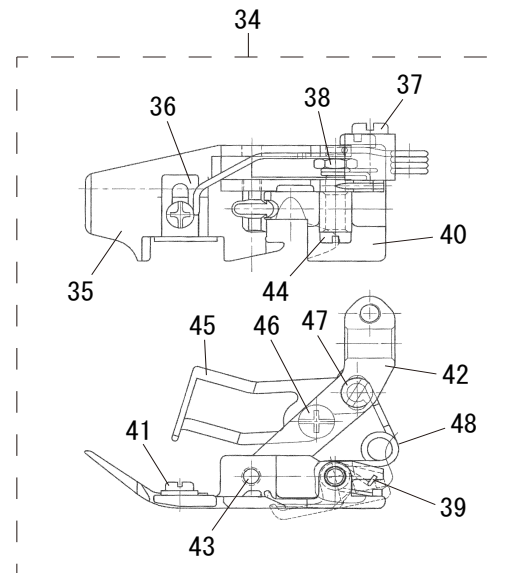
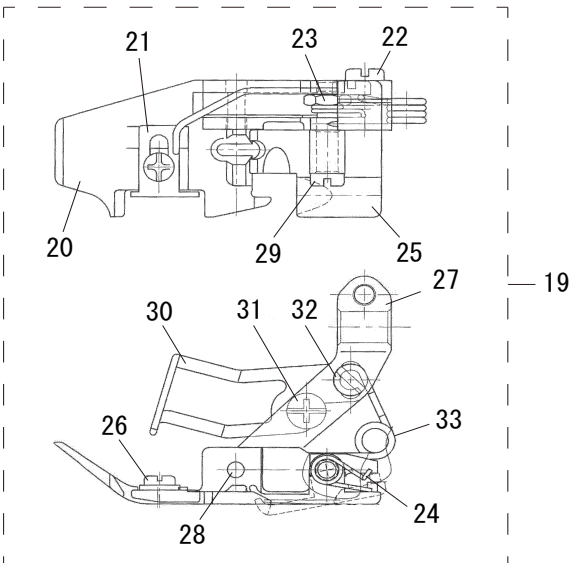
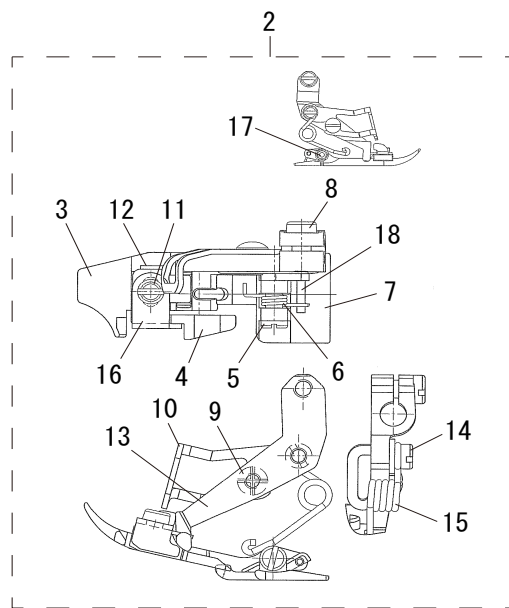
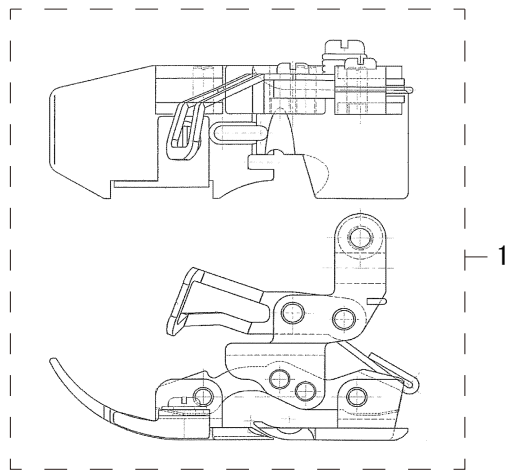
REF.NO	NOTE	PART NO	DESCRIPTION	Qty
1		401-59844	PRESSER FOOT ASM.	1
2		401-59853	PRESSER FOOT	(1)
3		401-59857	STITCH TONGUE	(1)
4		700-00862	REAR PRESSER FOOT	(1)
5		700-00859	PRESSER FOOT HINGE	(1)
6		700-00860	SPRING	(1)
7		700-00861	CURL GUARD	(1)
8		700-00879	E_SCREW	(1)
9		401-59855	E_SCREW	(1)
10		700-00505	E_SCREW	(1)
11		700-00877	E_SCREW	(1)
12		700-00735	NEEDLE GUARD	(1)
13		700-00304	FIXED PLATE	(1)
14		700-00538	E_SCREW	(1)
15		700-00500	E_SCREW	(1)
16		401-59856	THREAD GUIDE PLATE	(1)
17		401-59842	PRESSER FOOT ASM.	1
18		401-59851	PRESSER FOOT	(1)
19		401-59852	STITCH TONGUE	(1)
20		700-00862	REAR PRESSER FOOT	(1)
21		700-00859	PRESSER FOOT HINGE	(1)
22		700-00860	SPRING	(1)
23		700-00861	CURL GUARD	(1)
24		700-00879	E_SCREW	(1)
25		700-00500	E_SCREW	(1)
26		700-00505	E_SCREW	(1)
27		700-00877	E_SCREW	(1)
28		700-00735	NEEDLE GUARD	(1)
29		700-00304	FIXED PLATE	(1)
30		700-00538	E_SCREW	(1)
31		700-00500	E_SCREW	(1)
32		401-59843	PRESSER FOOT ASM.	1
33		401-59853	PRESSER FOOT	(1)
34		401-59854	STITCH TONGUE	(1)
35		700-00862	REAR PRESSER FOOT	(1)
36		700-00859	PRESSER FOOT HINGE	(1)
37		700-00860	SPRING	(1)
38		700-00861	CURL GUARD	(1)
39		700-00879	E_SCREW	(1)
40		401-59855	E_SCREW	(1)
41		700-00505	E_SCREW	(1)
42		700-00877	E_SCREW	(1)
43		700-00735	NEEDLE GUARD	(1)
44		700-00304	FIXED PLATE	(1)
45		700-00538	E_SCREW	(1)
46		700-00500	E_SCREW	(1)
47		401-59856	THREAD GUIDE PLATE	(1)
48		401-59817	PRESSER FOOT ASM.	1
49		401-59547	PRESSER FOOT	(1)
50		401-59548	STITCH TONGUE	(1)
51		700-00862	REAR PRESSER FOOT	(1)
52		700-00859	PRESSER FOOT HINGE	(1)
53		700-00860	SPRING	(1)
54		401-59549	TAPE GUIDE	(1)
55		700-00879	E_SCREW	(1)
56		401-59855	E_SCREW	(1)
57		700-00505	E_SCREW	(1)
58		700-00877	E_SCREW	(1)
59		700-00735	NEEDLE GUARD	(1)
60		700-00304	FIXED PLATE	(1)
61		700-00538	E_SCREW	(1)
62		700-00500	E_SCREW	(1)
63		401-59856	THREAD GUIDE PLATE	(1)
64		401-69857	PRESSER FOOT ASM.	1
65		401-59853	PRESSER FOOT	(1)
66		401-72524	STITCH TONGUE	(1)
67		700-00862	REAR PRESSER FOOT	(1)
68		700-00859	PRESSER FOOT HINGE	(1)
69		700-00860	SPRING	(1)
70		700-00861	CURL GUARD	(1)
71		700-00879	E_SCREW	(1)
72		401-59855	E_SCREW	(1)
73		700-00505	E_SCREW	(1)
74		700-00877	E_SCREW	(1)
75		700-00735	NEEDLE GUARD	(1)
76		700-00304	FIXED PLATE	(1)
77		700-00538	E_SCREW	(1)
78		700-00500	E_SCREW	(1)
79		401-59856	THREAD GUIDE PLATE	(1)

### 30. MO-6800S GAUGE TABLE PRESSER FOOT COMPONENTS (2)



REF.NO	NOTE	PART NO	DESCRIPTION	Qty
1		401-59849	PRESSER FOOT ASM.	1
2		401-59597	PRESSER FOOT	(1)
3		700-00480	THREAD GUIDE PLATE	(1)
4		700-00505	E_SCREW	(1)
5		401-59567	NUT	(1)
6		700-00609	SPRING	(1)
7		401-59595	REAR PRESSER FOOT	(1)
8		700-00496	E_SCREW	(1)
9		401-59596	PRESSER FOOT HINGE	(1)
10		700-00537	E_SCREW	(1)
11		700-00499	E_SCREW	(1)
12		700-00735	NEEDLE GUARD	(1)
13		700-00538	E_SCREW	(1)
14		700-00500	E_SCREW	(1)
15		401-59569	SPRING	(1)
16		401-64021	PRESSER FOOT ASM.	1
17		401-64022	PRESSER FOOT	(1)
18		401-64024	STITCH TONGUE	(1)
19		401-64026	REAR PRESSER FOOT	(1)
20		401-64025	SPRING	(1)
21		401-64027	PRESSER FOOT HINGE	(1)
22		401-64041	FINGER GUARD	(1)
23		700-00500	E_SCREW	(1)
24		700-00496	E_SCREW	(1)
25		700-00558	E_SCREW	(1)
26		700-00505	E_SCREW	(1)
27		700-00538	E_SCREW	(1)
28		700-00500	E_SCREW	(1)
29		401-64028	PRESSER FOOT ARM SPRING	(1)
30		401-64053	PRESSER FOOT 514_30P	(1)
31		401-59850	PRESSER FOOT ASM.	1
32		401-59598	PRESSER FOOT	(1)
33		700-00480	THREAD GUIDE PLATE	(1)
34		700-00505	E_SCREW	(1)
35		401-59567	NUT	(1)
36		700-00609	SPRING	(1)
37		401-59599	REAR PRESSER FOOT	(1)
38		700-00496	E_SCREW	(1)
39		401-59609	PRESSER FOOT HINGE	(1)
40		700-00537	E_SCREW	(1)
41		700-00499	E_SCREW	(1)
42		700-00735	NEEDLE GUARD	(1)
43		700-00538	E_SCREW	(1)
44		700-00500	E_SCREW	(1)
45		401-59569	SPRING	(1)

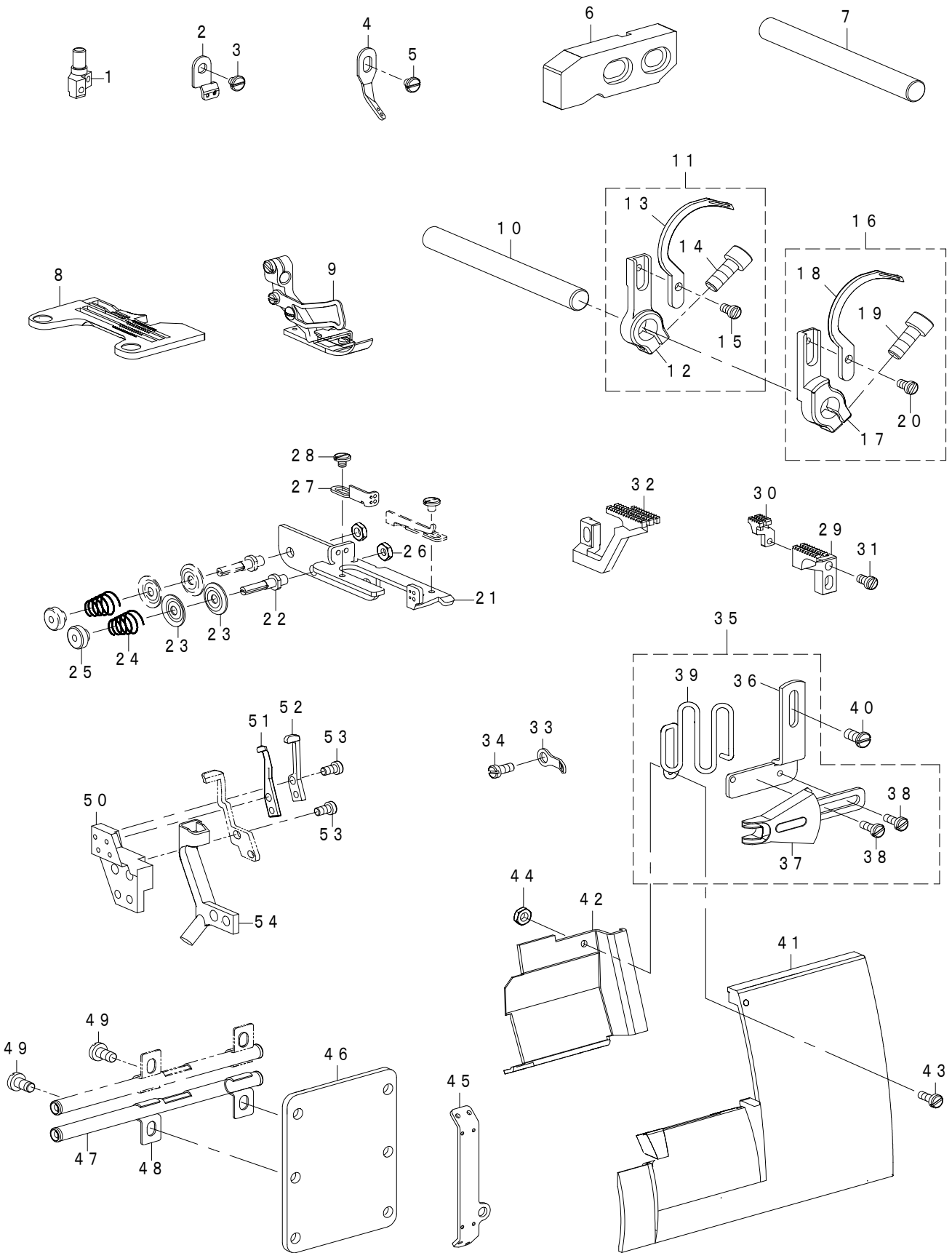
31. MO-6800S GAUGE TABLE PRESSER FOOT COMPONENTS (3)





REF.NO	NOTE	PART NO	DESCRIPTION	Qty
1		401-78595	PRESSER FOOT ASM.	1
2		401-64029	PRESSER FOOT ASM.	1
3		401-64030	PRESSER FOOT	(1)
4		401-64032	STITCH TONGUE	(1)
5		401-64039	HINGE SCREW	(1)
6		401-64037	SPRING	(1)
7		401-64031	REAR PRESSER FOOT	(1)
8		700-00505	E_SCREW	(1)
9		700-00538	E_SCREW	(1)
10		401-64034	FINGER GUARD	(1)
11		401-59855	E_SCREW	(1)
12		401-64036	SPRING	(1)
13		401-64038	PRESSER FOOT HINGE	(1)
14		700-00500	E_SCREW	(1)
15		401-64033	PRESSER FOOT ARM SPRING	(1)
16		401-64035	PRESSER FOOT	(1)
17		401-64043	NUT	(1)
18		401-64042	PIN	(1)
19		401-59848	PRESSER FOOT ASM.	1
20		401-59594	PRESSER FOOT	(1)
21		700-00480	THREAD GUIDE PLATE	(1)
22		700-00505	E_SCREW	(1)
23		401-59567	NUT	(1)
24		700-00609	SPRING	(1)
25		401-59595	REAR PRESSER FOOT	(1)
26		700-00496	E_SCREW	(1)
27		401-59596	PRESSER FOOT HINGE	(1)
28		700-00537	E_SCREW	(1)
29		700-00499	E_SCREW	(1)
30		700-00735	NEEDLE GUARD	(1)
31		700-00538	E_SCREW	(1)
32		700-00500	E_SCREW	(1)
33		401-59569	SPRING	(1)
34		401-59847	PRESSER FOOT ASM.	1
35		401-59566	PRESSER FOOT	(1)
36		700-00480	THREAD GUIDE PLATE	(1)
37		700-00505	E_SCREW	(1)
38		401-59567	NUT	(1)
39		700-00609	SPRING	(1)
40		401-59568	REAR PRESSER FOOT	(1)
41		700-00496	E_SCREW	(1)
42		401-59609	PRESSER FOOT HINGE	(1)
43		700-00537	E_SCREW	(1)
44		700-00499	E_SCREW	(1)
45		700-00735	NEEDLE GUARD	(1)
46		700-00538	E_SCREW	(1)
47		700-00500	E_SCREW	(1)
48		401-59569	SPRING	(1)
49		401-59845	PRESSER FOOT ASM.	1
50		401-59541	PRESSER FOOT	(1)
51		401-59542	PRESSER FOOT HINGE	(1)
52		401-59543	REAR PRESSER FOOT	(1)
53		401-59544	SPRING	(1)
54		401-59545	SPRING	(1)
55		401-59546	THREAD GUIDE PLATE	(1)
56		700-00877	E_SCREW	(1)
57		700-00496	E_SCREW	(1)
58		700-00537	E_SCREW	(1)
59		700-00505	E_SCREW	(1)
60		700-00735	NEEDLE GUARD	(1)
61		700-00500	E_SCREW	(1)
62		700-00538	E_SCREW	(1)

### 32. MO-6845 COMPONENTS



REF.NO	NOTE	PART NO	DESCRIPTION	Qty
1		401-59841	NEEDLE CLAMP	1
2		401-59646	THREAD GUIDE PLATE	1
3		700-00513	E_SCREW	1
4		700-00168	THREAD GUIDE PLATE	1
5		700-00513	E_SCREW	1
6		401-59860	UPPER_LOOPER HOLDER	1
7		402-57876	SHAFT	1
8		401-59826	THROAT_PLATE	1
9		401-59845	PRESSER FOOT ASM.	1
10		402-57875	SHAFT	1
11		402-57873	LOOPER	1
12		700-01031	LOOPER HOLDER	1
13		402-47006	LOOPER	1
14		700-01032	M_SCREW	1
15		700-01033	M_SCREW	1
16		402-57874	LOOPER	1
17		700-01034	LOOPER HOLDER	1
18		402-47007	LOOPER	1
19		700-01032	M_SCREW	1
20		700-01035	M_SCREW	1
21		700-01040	BRACKET	1
22		700-00395	THREAD TENSION SHAFT	1
23		700-00392	THREAD GRIP	2
24		700-00394	SPRING	1
25		700-00393	THREAD TENSION KNOB	1
26		700-00452	NUT	1
27		700-01039	THREAD GUIDE PLATE	1
28		700-00571	M_SCREW	1
29		401-59823	FEED DOG	1
30		401-59824	FEED DOG	1
31		700-00572	M_SCREW	1
32		401-59840	FEED DOG	1
33		700-01041	THREAD GUIDE PLATE	1
34		700-00557	E_SCREW	1
35		402-57866	FIXED_PLATE_ASM	1
36		402-57867	FIXED_PLATE	1
37		700-01022	BINDER	1
38		700-00501	E_SCREW	2
39		700-01038	THREAD STAND	1
40		401-93848	E_SCREW	1
41		402-57884	FRONT COVER	1
42		402-57885	FRONT COVER	1
43		401-86050	M_SCREW	1
44		402-21730	NUT	1
45		402-57882	THREAD GUIDE PLATE	1
46		402-57881	COVER	1
47		700-00397	DUCT COMB.	1
48		700-00398	FIXED PLATE	2
49		402-57880	M_SCREW	2
50		402-57878	NEEDLE GUARD	1
51		700-01037	NEEDLE GUARD	1
52		700-01036	NEEDLE GUARD	1
53		700-00497	E_SCREW	4
54		402-57879	TANK	1



NUMERICAL INDEX OF PARTS

PART NO	PAGE	REF NO	PART NO	PAGE	REF NO	PART NO	PAGE	REF NO	PART NO	PAGE	REF NO
*****	2	6	401-59576	50	3	401-59648	12	18	401-59760	30	8
*****	6	25	401-59576	50	11	401-59649	12	64	401-59761	30	26
*****	12	31	401-59577	6	5	401-59650	12	6	401-59762	30	23
*****	12	32	401-59578	6	13	401-59651	12	17	401-59763	30	39
*****	12	33	401-59579	6	11	401-59652	12	48	401-59764	30	32
*****	12	40	401-59580	6	18	401-59653	12	54	401-59765	30	50
*****	12	41	401-59581	6	19	401-59654	12	55	401-59765	30	53
*****	12	42	401-59585	6	26	401-59655	12	56	401-59768	32	4
*****	12	62	401-59586	6	32	401-59656	12	100	401-59769	32	5
*****	14	56	401-59587	6	33	401-59657	12	104	401-59770	32	6
*****	24	1	401-59589	6	42	401-59658	10	32	401-59771	32	7
*****	24	49	401-59590	6	30	401-59665	14	74	401-59772	32	1
*****	24	50	401-59591	6	38	401-59666	14	70	401-59773	32	12
*****	28	54	401-59592	6	39	401-59667	14	78	401-59774	32	9
*****	28	55	401-59593	6	27	401-59670	14	57	401-59775	32	2
			401-59594	62	20	401-59671	14	29	401-59776	32	8
MDC-270B0800	46	22	401-59595	60	7	401-59672	14	30	401-59777	32	11
MDC-270B0900	46	23	401-59595	62	25	401-59673	14	35	401-59778	32	10
MDC-270B1100	46	21	401-59596	60	9	401-59674	14	34	401-59779	32	13
MDC-270B1400	46	24	401-59596	62	27	401-59675	14	14	401-59780	42	10
MDC-270B1600	46	25	401-59597	60	2	401-59676	14	72	401-59781	42	11
MDC-270B2100	46	26	401-59598	60	32	401-59676	24	33	401-59785	46	2
			401-59599	60	37	401-59677	14	73	401-59787	46	16
SD-0600266-TP	8	51	401-59603	8	47	401-59678	14	10	401-59788	46	17
			401-59604	8	3	401-59679	14	36	401-59789	46	10
400-25294	8	48	401-59605	8	4	401-59680	14	37	401-59790	46	11
401-59532	2	24	401-59606	8	1	401-59681	14	15	401-59791	46	12
401-59533	2	25	401-59607	8	2	401-59682	14	16	401-59792	46	15
401-59534	2	3	401-59608	8	12	401-59683	14	61	401-59793	46	9
401-59537	2	26	401-59609	60	39	401-59684	14	8	401-59794	46	7
401-59538	2	27	401-59609	62	42	401-59684	16	22	401-59795	46	8
401-59539	2	28	401-59613	54	24	401-59686	14	1	401-59796	46	6
401-59540	2	29	401-59615	10	1	401-59687	14	2	401-59810	50	4
401-59541	62	50	401-59617	10	8	401-59689	16	17	401-59811	50	12
401-59542	62	51	401-59618	10	7	401-59690	16	35	401-59812	50	15
401-59543	62	52	401-59619	10	21	401-59692	16	1	401-59813	50	13
401-59544	62	53	401-59620	10	30	401-59693	16	16	401-59814	50	14
401-59545	62	54	401-59623	10	36	401-59694	16	2	401-59815	50	7
401-59546	62	55	401-59624	12	90	401-59700	22	25	401-59817	50	6
401-59547	58	49	401-59624	12	96	401-59701	22	27	401-59817	56	72
401-59548	58	50	401-59624	12	103	401-59702	22	16	401-59817	56	73
401-59549	58	54	401-59625	12	65	401-59703	22	17	401-59817	56	74
401-59551	4	31	401-59626	12	60	401-59703	28	27	401-59817	56	75
401-59552	4	18	401-59627	12	74	401-59704	22	18	401-59817	56	77
401-59553	4	19	401-59628	12	58	401-59704	28	30	401-59817	58	48
401-59554	4	20	401-59629	12	27	401-59705	22	19	401-59820	56	18
401-59555	4	9	401-59629	22	38	401-59706	22	20	401-59820	56	19
401-59556	4	8	401-59630	12	53	401-59707	22	1	401-59821	56	28
401-59557	4	1	401-59631	12	75	401-59709	22	32	401-59821	56	29
401-59558	4	13	401-59632	12	78	401-59715	14	76	401-59821	56	32
401-59559	4	14	401-59632	12	88	401-59715	24	35	401-59821	56	33
401-59560	4	15	401-59632	12	94	401-59716	24	15	401-59821	56	121
401-59561	4	17	401-59632	12	101	401-59717	24	13	401-59822	56	20
401-59562	4	6	401-59632	12	109	401-59718	24	56	401-59822	56	21
401-59563	4	7	401-59633	12	83	401-59719	24	57	401-59822	56	22
401-59563	44	10	401-59634	12	79	401-59725	54	44	401-59822	56	23
401-59564	4	10	401-59634	12	89	401-59726	26	26	401-59822	56	24
401-59565	4	11	401-59634	12	95	401-59727	26	19	401-59822	56	25
401-59566	62	35	401-59634	12	102	401-59728	26	18	401-59822	56	26
401-59567	60	5	401-59634	12	110	401-59729	26	16	401-59823	56	34
401-59567	60	35	401-59636	12	81	401-59732	26	17	401-59823	64	29
401-59567	62	23	401-59636	12	91	401-59734	26	10	401-59824	56	51
401-59567	62	38	401-59636	12	97	401-59741	28	3	401-59824	64	30
401-59568	62	40	401-59636	12	105	401-59742	28	4	401-59825	56	2
401-59569	60	15	401-59636	12	112	401-59743	28	7	401-59826	56	17
401-59569	60	45	401-59640	12	77	401-59744	28	5	401-59826	64	8
401-59569	62	33	401-59641	12	87	401-59745	28	1	401-59827	56	1
401-59569	62	48	401-59642	12	93	401-59746	28	2	401-59828	56	3
401-59572	6	3	401-59642	12	99	401-59748	28	31	401-59828	56	4
401-59572	6	4	401-59643	12	107	401-59749	28	26	401-59828	56	5
401-59573	6	2	401-59644	12	76	401-59750	28	33	401-59829	56	6
401-59574	6	8	401-59645	12	1	401-59751	28	42	401-59829	56	7
401-59574	50	2	401-59646	12	10	401-59752	28	38	401-59829	56	8
401-59575	6	7	401-59646	64	2	401-59753	28	10	401-59829	56	9
401-59576	6	6	401-59647	12	16	401-59754	28	35	401-59830	56	11

NUMERICAL INDEX OF PARTS

PART NO	PAGE	REF NO	PART NO	PAGE	REF NO	PART NO	PAGE	REF NO	PART NO	PAGE	REF NO
401-59831	56	120	401-64029	62	2	401-78581	54	19	402-35227	30	1
401-59832	56	16	401-64030	62	3	401-78582	54	22	402-35229	30	2
401-59833	56	15	401-64031	62	7	401-78583	54	20	402-35230	30	6
401-59834	56	12	401-64032	52	28	401-78584	54	15	402-35231	30	14
401-59836	56	52	401-64032	62	4	401-78585	54	36	402-35232	30	7
401-59836	56	53	401-64033	52	25	401-78586	54	26	402-35233	30	9
401-59837	56	54	401-64033	62	15	401-78587	54	34	402-35234	30	11
401-59837	56	55	401-64034	52	33	401-78588	54	31	402-35238	48	3
401-59837	56	56	401-64034	62	10	401-78592	54	42	402-35245	32	17
401-59837	56	57	401-64035	52	24	401-78592	56	98	402-35247	46	1
401-59837	56	58	401-64035	62	16	401-78594	54	37	402-35250	2	32
401-59837	56	59	401-64036	52	35	401-78594	56	13	402-35253	48	10
401-59837	56	60	401-64036	62	12	401-78595	54	41	402-42703	46	30
401-59838	56	62	401-64037	52	30	401-78595	56	81	402-42705	46	29
401-59839	56	63	401-64037	62	6	401-78595	62	1	402-44874	48	6
401-59839	56	66	401-64038	52	36	401-78596	46	27	402-44875	48	1
401-59839	56	67	401-64038	62	13	401-78596	54	49	402-47006	64	13
401-59839	56	123	401-64039	52	29	401-78597	54	38	402-47007	64	18
401-59840	56	68	401-64039	62	5	401-78597	56	30	402-49102	48	5
401-59840	64	32	401-64041	60	22	401-78598	54	39	402-51545	48	11
401-59841	56	118	401-64042	52	27	401-78598	56	47	402-57866	64	35
401-59841	64	1	401-64042	62	18	401-78599	54	40	402-57867	64	36
401-59842	56	70	401-64043	52	23	401-78599	56	64	402-57873	64	11
401-59842	58	17	401-64043	62	17	401-78600	54	48	402-57874	64	16
401-59843	56	76	401-64044	52	7	401-78605	54	3	402-57875	64	10
401-59843	58	32	401-64044	56	61	401-78606	54	6	402-57876	64	7
401-59844	56	69	401-64045	52	8	401-78607	54	7	402-57878	64	50
401-59844	58	1	401-64045	56	65	401-78608	54	14	402-57879	64	54
401-59845	56	85	401-64048	52	1	401-78609	54	8	402-57880	64	49
401-59845	62	49	401-64049	52	2	401-78610	54	33	402-57881	64	46
401-59845	64	9	401-64049	56	10	401-78611	54	28	402-57882	64	45
401-59847	56	84	401-64049	56	14	401-78612	54	30	402-57884	64	41
401-59847	62	34	401-64050	52	4	401-78613	54	29	402-57885	64	42
401-59848	56	83	401-64050	56	27	401-78615	54	43	402-61292	48	8
401-59848	62	19	401-64051	52	6	401-78616	54	18	402-62046	48	9
401-59849	56	80	401-64052	52	5	401-78617	54	47	402-66429	8	50
401-59849	56	124	401-64052	56	31	401-79483	34	1	402-66430	8	49
401-59849	60	1	401-64053	52	13	401-79484	36	1			
401-59850	56	79	401-64053	60	30	401-79485	38	1	700-00098	50	16
401-59850	60	31	401-64055	52	3	401-79486	40	1	700-00130	8	14
401-59851	58	18	401-64055	56	111	401-79596	14	3	700-00131	22	14
401-59852	58	19	401-64056	12	113	401-79596	16	18	700-00131	22	56
401-59853	58	2	401-64056	52	9	401-79597	14	4	700-00131	28	32
401-59853	58	33	401-69857	56	71	401-79597	14	5	700-00132	24	58
401-59853	58	65	401-69857	58	64	401-79597	16	20	700-00133	24	14
401-59854	58	34	401-70670	28	12	401-79597	16	21	700-00134	10	18
401-59855	52	34	401-71278	46	28	401-79600	54	27	700-00135	24	23
401-59855	58	9	401-72524	58	66	401-86050	64	43	700-00136	6	12
401-59855	58	40	401-72525	2	4	401-93848	64	40	700-00137	22	53
401-59855	58	56	401-72527	12	39	402-15705	48	7	700-00138	24	20
401-59855	58	72	401-72528	26	11	402-16747	44	4	700-00139	18	2
401-59855	62	11	401-72529	26	12	402-16748	44	6	700-00140	22	2
401-59856	58	16	401-72530	28	46	402-16751	44	8	700-00141	10	35
401-59856	58	47	401-72531	28	56	402-16752	44	9	700-00141	24	25
401-59856	58	63	401-72535	14	25	402-16753	44	11	700-00141	28	6
401-59856	58	79	401-76583	14	38	402-16754	44	12	700-00141	28	16
401-59857	58	3	401-77859	14	75	402-16755	44	1	700-00142	28	8
401-59860	64	6	401-78003	26	9	402-16756	44	2	700-00142	28	11
401-64011	8	45	401-78005	28	57	402-21730	64	44	700-00143	8	34
401-64012	8	44	401-78006	28	44	402-32945	48	2	700-00144	30	15
401-64021	52	10	401-78007	28	45	402-35212	2	23	700-00145	8	19
401-64021	56	78	401-78084	14	6	402-35213	2	30	700-00145	8	32
401-64021	60	16	401-78084	16	19	402-35214	2	31	700-00146	30	33
401-64022	60	17	401-78548	12	82	402-35215	6	16	700-00147	24	19
401-64024	52	12	401-78549	12	98	402-35216	6	17	700-00148	30	51
401-64024	60	18	401-78549	12	106	402-35217	6	21	700-00148	30	52
401-64025	60	20	401-78550	12	92	402-35218	6	22	700-00149	8	35
401-64026	52	14	401-78550	12	108	402-35219	6	43	700-00151	24	53
401-64026	60	19	401-78574	54	1	402-35220	8	23	700-00152	24	54
401-64027	52	15	401-78575	54	2	402-35221	8	29	700-00157	30	24
401-64027	60	21	401-78576	54	4	402-35222	8	24	700-00158	30	25
401-64028	52	21	401-78577	54	9	402-35223	8	26	700-00159	30	28
401-64028	60	29	401-78578	54	11	402-35224	8	27	700-00160	30	27
401-64029	52	22	401-78579	54	12	402-35225	8	28	700-00161	6	14
401-64029	56	82	401-78580	54	13	402-35226	8	22	700-00162	22	33

NUMERICAL INDEX OF PARTS

PART NO	PAGE	REF NO	PART NO	PAGE	REF NO	PART NO	PAGE	REF NO	PART NO	PAGE	REF NO
700-00164	12	7	700-00203	12	84	700-00288	22	43	700-00373	22	7
700-00168	12	22	700-00211	12	80	700-00289	22	42	700-00374	24	4
700-00168	64	4	700-00211	12	111	700-00291	28	39	700-00375	24	5
700-00169	12	19	700-00213	12	85	700-00292	28	20	700-00379	22	8
700-00171	12	13	700-00215	34	13	700-00293	28	17	700-00380	16	6
700-00172	20	2	700-00215	36	34	700-00294	28	22	700-00380	18	24
700-00173	12	3	700-00215	38	34	700-00295	28	23	700-00381	30	35
700-00174	12	11	700-00215	40	33	700-00297	28	47	700-00382	30	36
700-00175	16	10	700-00216	34	14	700-00301	28	41	700-00383	20	22
700-00176	28	50	700-00216	36	33	700-00302	28	40	700-00384	20	9
700-00177	38	37	700-00216	38	33	700-00303	28	51	700-00385	20	25
700-00177	40	40	700-00216	40	32	700-00304	58	13	700-00386	20	24
700-00178	34	35	700-00217	34	15	700-00304	58	29	700-00387	20	6
700-00178	36	37	700-00217	36	32	700-00304	58	44	700-00388	20	16
700-00179	34	2	700-00217	38	32	700-00304	58	60	700-00389	20	17
700-00179	36	2	700-00217	40	31	700-00304	58	76	700-00390	20	18
700-00179	38	2	700-00218	34	16	700-00309	28	13	700-00391	20	11
700-00179	40	2	700-00218	36	28	700-00312	30	17	700-00392	20	12
700-00180	34	3	700-00218	38	28	700-00314	8	41	700-00392	64	23
700-00180	36	3	700-00218	40	27	700-00317	18	3	700-00393	20	13
700-00180	38	3	700-00219	34	17	700-00317	18	36	700-00393	64	25
700-00180	40	3	700-00219	36	22	700-00317	24	45	700-00394	20	14
700-00181	34	4	700-00219	38	22	700-00318	30	41	700-00394	64	24
700-00181	36	4	700-00219	40	21	700-00322	30	49	700-00395	20	15
700-00181	38	4	700-00222	6	15	700-00322	30	62	700-00395	64	22
700-00181	40	4	700-00229	26	13	700-00323	30	10	700-00396	20	3
700-00182	34	5	700-00230	26	1	700-00323	30	66	700-00397	20	1
700-00182	36	5	700-00235	26	2	700-00324	30	60	700-00397	64	47
700-00182	38	5	700-00236	26	8	700-00326	30	21	700-00398	20	4
700-00182	40	5	700-00237	26	4	700-00328	30	19	700-00398	64	48
700-00182	40	35	700-00238	56	88	700-00332	42	7	700-00399	26	30
700-00183	34	6	700-00238	56	89	700-00334	4	5	700-00399	46	20
700-00183	36	6	700-00238	56	90	700-00335	12	70	700-00400	26	31
700-00183	38	6	700-00238	56	91	700-00336	12	67	700-00401	26	38
700-00183	40	6	700-00238	56	92	700-00337	12	66	700-00402	26	28
700-00183	40	34	700-00238	56	95	700-00338	42	5	700-00403	26	33
700-00184	36	7	700-00238	56	96	700-00339	42	8	700-00404	4	22
700-00184	38	7	700-00238	56	99	700-00339	42	21	700-00405	16	12
700-00185	36	8	700-00238	56	100	700-00340	42	4	700-00406	16	4
700-00185	38	8	700-00238	56	101	700-00342	14	64	700-00407	16	3
700-00186	34	7	700-00238	56	125	700-00343	16	33	700-00409	16	32
700-00186	36	9	700-00239	14	24	700-00344	22	3	700-00410	16	28
700-00186	38	9	700-00240	14	22	700-00345	22	4	700-00410	16	31
700-00186	40	7	700-00241	14	26	700-00346	18	4	700-00410	18	34
700-00187	40	8	700-00243	14	28	700-00346	18	37	700-00410	24	32
700-00188	34	8	700-00246	14	63	700-00346	24	46	700-00413	16	25
700-00188	36	10	700-00247	14	62	700-00347	26	14	700-00414	16	37
700-00188	38	10	700-00248	14	39	700-00348	42	12	700-00415	16	24
700-00188	40	9	700-00251	14	18	700-00349	22	5	700-00416	16	36
700-00189	34	9	700-00253	14	11	700-00349	28	59	700-00422	24	39
700-00189	36	11	700-00254	14	9	700-00350	14	55	700-00423	24	40
700-00189	38	11	700-00257	8	39	700-00350	54	45	700-00428	30	20
700-00189	40	10	700-00258	30	46	700-00351	18	22	700-00429	24	41
700-00190	34	10	700-00259	8	38	700-00352	42	15	700-00430	8	31
700-00190	36	12	700-00260	30	45	700-00353	22	15	700-00431	8	30
700-00190	38	12	700-00261	30	29	700-00354	34	18	700-00432	10	14
700-00190	40	11	700-00262	30	30	700-00354	36	14	700-00433	24	17
700-00191	34	11	700-00263	42	2	700-00354	38	14	700-00433	24	36
700-00191	36	35	700-00264	42	1	700-00354	40	13	700-00434	26	6
700-00191	38	35	700-00265	42	6	700-00355	28	34	700-00435	24	16
700-00191	40	38	700-00266	10	11	700-00356	24	29	700-00436	26	5
700-00192	34	12	700-00267	10	10	700-00356	48	4	700-00437	10	13
700-00192	36	13	700-00268	14	42	700-00357	18	5	700-00438	42	3
700-00192	38	13	700-00269	26	3	700-00358	22	57	700-00443	2	5
700-00192	40	12	700-00270	16	29	700-00359	20	5	700-00445	10	34
700-00193	14	32	700-00270	18	28	700-00359	50	10	700-00446	24	12
700-00194	14	51	700-00273	30	34	700-00360	44	5	700-00448	20	23
700-00195	14	53	700-00275	22	29	700-00361	24	10	700-00449	8	43
700-00196	14	59	700-00276	22	28	700-00362	10	17	700-00450	22	9
700-00197	14	45	700-00277	22	34	700-00363	2	1	700-00452	4	25
700-00198	14	46	700-00280	24	11	700-00365	2	2	700-00452	20	20
700-00199	16	15	700-00282	22	40	700-00368	4	2	700-00452	50	9
700-00200	14	52	700-00283	22	55	700-00369	22	23	700-00452	64	26
700-00201	14	50	700-00284	22	52	700-00370	22	22	700-00453	4	24
700-00202	14	44	700-00286	22	54	700-00372	22	6	700-00454	34	19

NUMERICAL INDEX OF PARTS

PART NO	PAGE	REF NO	PART NO	PAGE	REF NO	PART NO	PAGE	REF NO	PART NO	PAGE	REF NO
700-00454	34	32	700-00498	54	25	700-00517	26	32	700-00547	34	22
700-00454	34	33	700-00499	60	11	700-00518	4	23	700-00547	36	17
700-00454	34	34	700-00499	60	41	700-00518	6	1	700-00547	38	17
700-00454	36	15	700-00499	62	29	700-00518	30	38	700-00547	40	16
700-00454	36	26	700-00499	62	44	700-00519	20	7	700-00547	40	36
700-00454	36	29	700-00500	52	17	700-00520	8	25	700-00548	24	21
700-00454	36	30	700-00500	52	26	700-00520	30	18	700-00549	12	9
700-00454	38	15	700-00500	58	15	700-00521	8	33	700-00549	50	5
700-00454	38	26	700-00500	58	25	700-00521	14	48	700-00550	2	12
700-00454	38	29	700-00500	58	31	700-00521	14	49	700-00550	12	43
700-00454	38	30	700-00500	58	46	700-00521	26	35	700-00550	12	73
700-00454	40	14	700-00500	58	62	700-00521	30	31	700-00552	22	26
700-00454	40	25	700-00500	58	78	700-00522	2	8	700-00554	8	16
700-00454	40	28	700-00500	60	14	700-00522	8	40	700-00555	6	24
700-00454	40	29	700-00500	60	23	700-00522	10	6	700-00555	12	21
700-00455	34	20	700-00500	60	28	700-00522	10	15	700-00555	12	46
700-00455	36	16	700-00500	60	44	700-00522	14	67	700-00557	20	21
700-00455	38	16	700-00500	62	14	700-00522	14	77	700-00557	64	34
700-00455	40	15	700-00500	62	32	700-00522	16	38	700-00558	24	6
700-00456	34	21	700-00500	62	47	700-00522	24	18	700-00558	52	11
700-00456	36	23	700-00500	62	61	700-00522	24	34	700-00558	60	25
700-00456	38	23	700-00501	14	47	700-00522	24	37	700-00559	12	14
700-00456	40	22	700-00501	14	54	700-00522	26	7	700-00560	14	33
700-00458	24	30	700-00501	64	38	700-00522	26	27	700-00561	18	11
700-00458	28	19	700-00502	22	44	700-00522	28	36	700-00561	28	58
700-00458	28	29	700-00503	10	33	700-00522	28	53	700-00562	8	17
700-00459	44	7	700-00503	22	39	700-00522	30	67	700-00563	4	26
700-00460	8	13	700-00504	14	58	700-00522	54	35	700-00563	6	20
700-00461	18	16	700-00505	12	57	700-00523	22	21	700-00564	8	6
700-00462	18	18	700-00505	16	11	700-00524	26	37	700-00565	8	5
700-00463	18	6	700-00505	52	19	700-00525	16	13	700-00565	8	7
700-00464	18	7	700-00505	52	31	700-00525	18	29	700-00566	28	48
700-00465	18	15	700-00505	58	10	700-00526	12	71	700-00567	12	35
700-00466	18	17	700-00505	58	26	700-00526	32	15	700-00569	6	37
700-00467	18	8	700-00505	58	41	700-00527	30	65	700-00570	6	36
700-00469	12	44	700-00505	58	57	700-00528	4	12	700-00571	20	19
700-00470	18	31	700-00505	58	73	700-00528	28	37	700-00571	64	28
700-00471	18	30	700-00505	60	4	700-00529	2	9	700-00572	12	26
700-00472	18	35	700-00505	60	26	700-00529	2	22	700-00572	24	48
700-00473	18	26	700-00505	60	34	700-00530	24	52	700-00572	64	31
700-00474	18	23	700-00505	62	8	700-00531	16	7	700-00573	6	40
700-00475	18	20	700-00505	62	22	700-00531	18	25	700-00574	4	3
700-00476	18	21	700-00505	62	37	700-00532	30	13	700-00575	30	59
700-00477	18	33	700-00505	62	59	700-00532	30	16	700-00576	20	8
700-00478	18	9	700-00506	16	14	700-00532	30	40	700-00577	4	16
700-00479	18	1	700-00508	8	21	700-00533	30	37	700-00577	6	31
700-00480	60	3	700-00508	18	27	700-00535	8	10	700-00577	6	35
700-00480	60	33	700-00508	24	55	700-00537	60	10	700-00578	10	9
700-00480	62	21	700-00508	54	46	700-00537	60	40	700-00578	26	20
700-00480	62	36	700-00509	24	2	700-00537	62	28	700-00579	34	23
700-00481	6	28	700-00509	24	51	700-00537	62	43	700-00579	36	18
700-00482	42	16	700-00510	26	15	700-00537	62	58	700-00579	38	18
700-00483	42	17	700-00511	16	9	700-00538	14	31	700-00579	40	17
700-00484	42	14	700-00512	22	13	700-00538	28	52	700-00580	34	24
700-00485	42	18	700-00513	12	2	700-00538	52	20	700-00580	34	30
700-00490	4	4	700-00513	12	20	700-00538	52	32	700-00580	34	31
700-00493	4	28	700-00513	12	86	700-00538	58	14	700-00580	36	19
700-00494	4	27	700-00513	20	10	700-00538	58	30	700-00580	36	24
700-00495	22	10	700-00513	64	3	700-00538	58	45	700-00580	36	25
700-00496	52	18	700-00513	64	5	700-00538	58	61	700-00580	38	19
700-00496	60	8	700-00514	18	10	700-00538	58	77	700-00580	38	24
700-00496	60	24	700-00514	18	38	700-00538	60	13	700-00580	38	25
700-00496	60	38	700-00514	24	47	700-00538	60	27	700-00580	40	18
700-00496	62	26	700-00515	2	7	700-00538	60	43	700-00580	40	23
700-00496	62	41	700-00515	2	20	700-00538	62	9	700-00580	40	24
700-00496	62	57	700-00515	2	21	700-00538	62	31	700-00581	34	25
700-00497	12	68	700-00515	4	29	700-00538	62	46	700-00581	36	20
700-00497	12	72	700-00515	4	32	700-00538	62	62	700-00581	38	20
700-00497	64	53	700-00515	14	43	700-00540	42	19	700-00581	40	19
700-00498	12	8	700-00515	26	39	700-00541	42	20	700-00581	40	37
700-00498	12	15	700-00515	28	21	700-00542	22	11	700-00582	22	30
700-00498	12	34	700-00516	4	21	700-00543	2	10	700-00582	22	50
700-00498	14	17	700-00516	12	61	700-00544	2	11	700-00582	30	47
700-00498	20	26	700-00517	14	66	700-00545	14	7	700-00583	22	47
700-00498	46	19	700-00517	16	27	700-00545	16	23	700-00584	28	18



NUMERICAL INDEX OF PARTS

PART NO	PAGE	REF NO	PART NO	PAGE	REF NO	PART NO	PAGE	REF NO	PART NO	PAGE	REF NO
700-00584	28	28	700-00657	30	63	700-00735	62	45	700-00845	26	29
700-00586	2	13	700-00657	30	64	700-00735	62	60	700-00847	12	50
700-00587	14	68	700-00658	30	4	700-00736	6	10	700-00848	12	51
700-00588	10	4	700-00658	30	5	700-00737	8	11	700-00849	12	49
700-00588	54	5	700-00658	30	12	700-00738	22	48	700-00850	12	63
700-00589	34	26	700-00658	30	22	700-00739	22	49	700-00859	58	5
700-00589	36	36	700-00658	32	3	700-00740	22	46	700-00859	58	21
700-00589	38	36	700-00658	32	14	700-00741	22	45	700-00859	58	36
700-00589	40	39	700-00659	2	14	700-00744	6	34	700-00859	58	52
700-00590	14	13	700-00660	6	29	700-00745	6	23	700-00859	58	68
700-00590	16	26	700-00661	14	20	700-00748	14	41	700-00860	58	6
700-00590	16	39	700-00662	22	36	700-00749	14	40	700-00860	58	22
700-00590	18	19	700-00664	28	14	700-00751	16	8	700-00860	58	37
700-00590	18	32	700-00665	22	41	700-00752	16	30	700-00860	58	53
700-00590	22	24	700-00666	22	31	700-00753	2	18	700-00860	58	69
700-00590	24	9	700-00667	16	5	700-00754	2	19	700-00861	58	7
700-00590	24	28	700-00669	28	15	700-00755	4	30	700-00861	58	23
700-00590	26	25	700-00670	2	15	700-00757	46	3	700-00861	58	38
700-00592	28	24	700-00671	2	16	700-00758	46	14	700-00861	58	70
700-00593	10	24	700-00672	2	17	700-00759	46	4	700-00862	58	4
700-00593	14	23	700-00673	28	49	700-00760	46	5	700-00862	58	20
700-00593	54	10	700-00676	10	31	700-00761	46	18	700-00862	58	35
700-00593	54	32	700-00676	54	21	700-00763	46	13	700-00862	58	51
700-00598	12	28	700-00677	10	12	700-00782	56	35	700-00862	58	67
700-00600	22	58	700-00678	14	27	700-00782	56	37	700-00877	58	11
700-00601	22	12	700-00679	14	69	700-00782	56	38	700-00877	58	27
700-00602	22	35	700-00681	24	8	700-00782	56	39	700-00877	58	42
700-00603	26	36	700-00682	24	27	700-00782	56	40	700-00877	58	58
700-00604	28	25	700-00683	24	3	700-00782	56	41	700-00877	58	74
700-00605	28	43	700-00684	24	7	700-00782	56	42	700-00877	62	56
700-00608	28	9	700-00685	24	26	700-00782	56	43	700-00879	58	8
700-00609	60	6	700-00686	24	42	700-00782	56	44	700-00879	58	24
700-00609	60	36	700-00688	24	31	700-00782	56	45	700-00879	58	39
700-00609	62	24	700-00689	24	43	700-00782	56	46	700-00879	58	55
700-00609	62	39	700-00694	8	18	700-00782	56	48	700-00879	58	71
700-00611	34	27	700-00694	22	51	700-00782	56	49	700-00884	44	3
700-00611	36	27	700-00695	8	37	700-00782	56	50	700-00885	12	52
700-00611	38	27	700-00696	8	42	700-00782	56	122	700-00887	12	47
700-00611	40	26	700-00697	18	13	700-00784	56	36	700-00908	6	9
700-00612	8	46	700-00698	22	37	700-00798	56	86	700-00908	50	1
700-00613	14	65	700-00699	8	36	700-00798	56	87	700-00908	50	8
700-00614	16	34	700-00700	8	20	700-00798	56	119	700-01022	64	37
700-00615	34	28	700-00701	8	15	700-00799	56	93	700-01031	64	12
700-00615	36	31	700-00703	18	14	700-00799	56	94	700-01032	64	14
700-00615	38	31	700-00704	12	59	700-00799	56	97	700-01032	64	19
700-00615	40	30	700-00707	42	9	700-00801	56	102	700-01033	64	15
700-00616	18	12	700-00710	30	57	700-00801	56	103	700-01034	64	17
700-00617	42	13	700-00711	30	58	700-00802	56	104	700-01035	64	20
700-00618	34	29	700-00712	30	55	700-00802	56	105	700-01036	64	52
700-00618	36	21	700-00713	30	48	700-00802	56	106	700-01037	64	51
700-00618	38	21	700-00714	30	54	700-00802	56	107	700-01038	64	39
700-00618	40	20	700-00715	30	44	700-00802	56	108	700-01039	64	27
700-00619	8	8	700-00716	30	43	700-00802	56	109	700-01040	64	21
700-00620	8	9	700-00717	30	56	700-00802	56	110	700-01041	64	33
700-00626	12	29	700-00720	26	23	700-00803	56	112	700-01060	32	16
700-00627	12	30	700-00721	26	21	700-00803	56	115			
700-00628	12	37	700-00728	10	27	700-00804	54	23			
700-00629	12	23	700-00728	14	21	700-00804	56	113			
700-00630	12	69	700-00728	54	17	700-00804	56	114			
700-00631	30	3	700-00729	10	28	700-00804	56	126			
700-00632	10	23	700-00729	14	19	700-00805	56	117			
700-00633	10	22	700-00729	54	16	700-00806	56	116			
700-00635	10	20	700-00731	24	38	700-00807	14	71			
700-00636	10	26	700-00732	24	44	700-00812	14	60			
700-00637	10	16	700-00733	24	24	700-00813	26	34			
700-00638	10	25	700-00734	24	22	700-00820	6	41			
700-00639	10	19	700-00735	52	16	700-00822	12	5			
700-00640	10	3	700-00735	58	12	700-00827	12	45			
700-00643	10	2	700-00735	58	28	700-00828	12	38			
700-00646	10	5	700-00735	58	43	700-00831	12	36			
700-00652	12	25	700-00735	58	59	700-00832	12	4			
700-00653	12	24	700-00735	58	75	700-00833	12	12			
700-00654	10	29	700-00735	60	12	700-00834	14	12			
700-00657	30	42	700-00735	60	42	700-00841	26	24			
700-00657	30	61	700-00735	62	30	700-00842	26	22			