

PARTS LIST

MO-6800S/DD10 PARTS LIST

下記 URL (PARTS Website/PC サイト) より、便利な検索機能のついた Web Parts Book をご利用頂けます。
ご利用には会員登録が必要です。(無料)

<https://juki.aftama.com/JUKI/JA>

You can use a Web Parts Book with a convenient search function from the URLs (PARTS Website/PC-site)
below. To use the PARTS Website, free membership registration is required.

<https://juki.aftama.com/JUKI/EN>

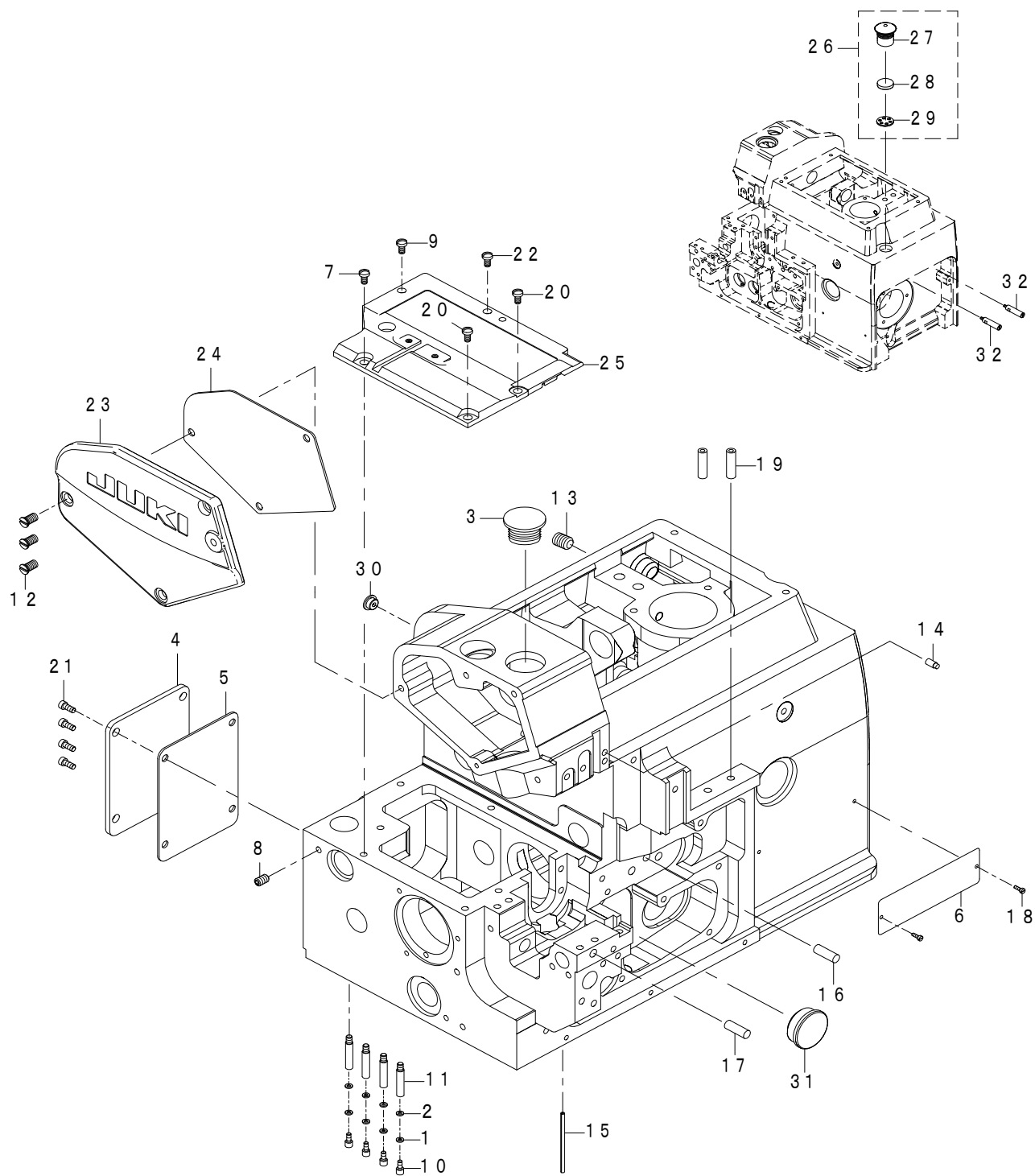
HOW TO MAKE USE OF THIS PARTS LIST

- 1.As to "#01" and "#02" refer to the "Note" given at the bottom of the respective pages.
- 2.Codes on the "Qty" column
 - Each numeral indicates the number of parts required.
 - "0.1" and "2.5" indicate the length (in meters) of the respective parts.
- 3.Parentheses mean that the corresponding part is a subpart that constructs an assembly part.
- 4.Dotted lines on the Figures indicate assembly parts.

CONTENTS

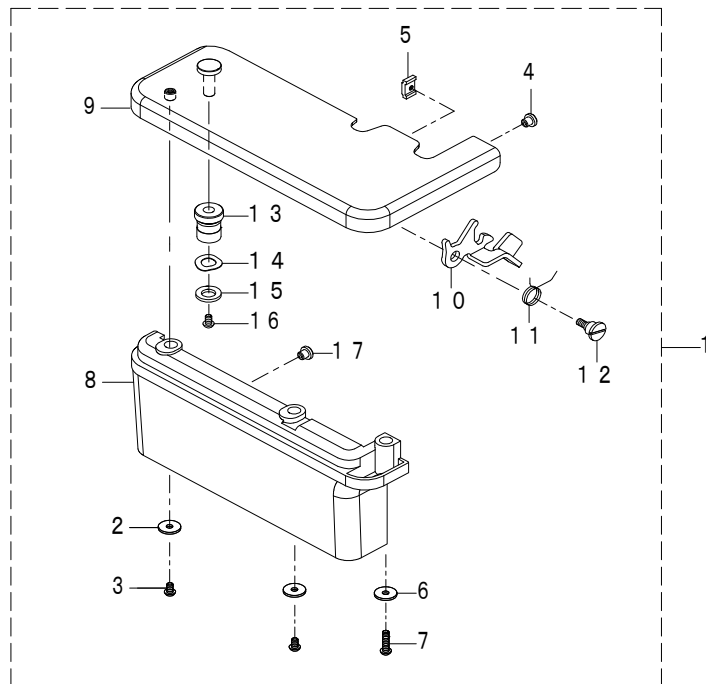
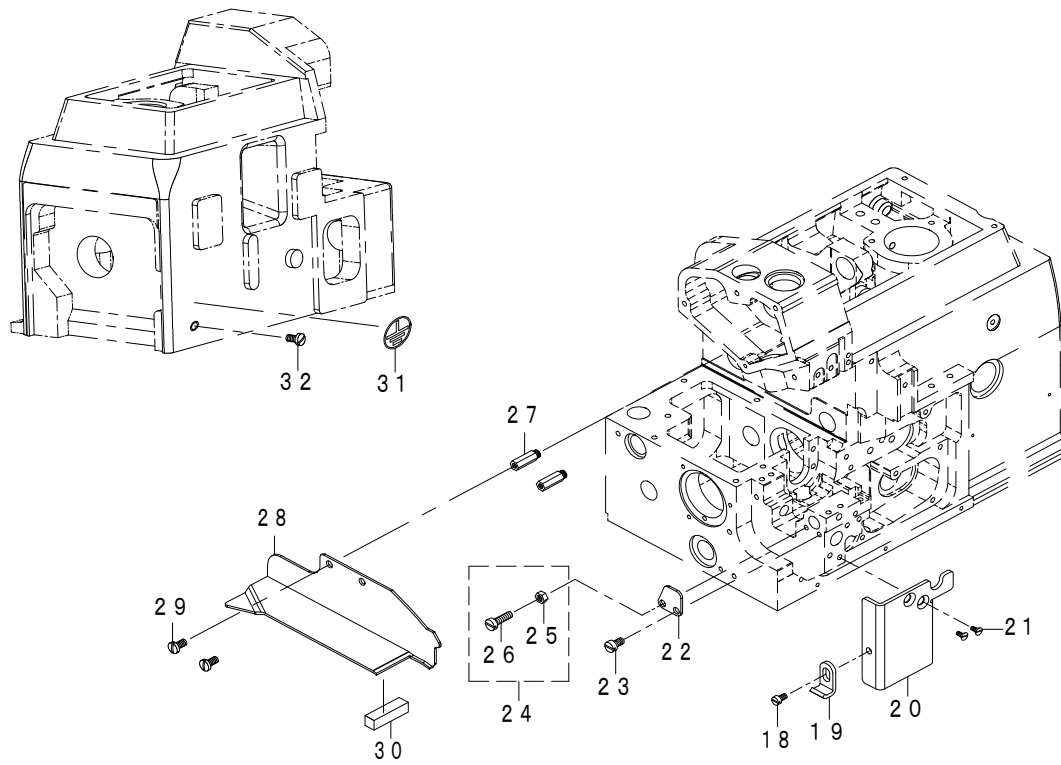
| | |
|--|----|
| 1. MISCELLANEOUS COVER COMPONENTS (1)..... | 1 |
| 2. MISCELLANEOUS COVER COMPONENTS (2)..... | 3 |
| 3. MISCELLANEOUS COVER COMPONENTS (3)..... | 5 |
| 4. CRANKSHAFT COMPONENTS | 7 |
| 5. NEEDLE DRIVING SHAFT COMPONENTS | 9 |
| 6. THREAD TENSION COMPONENTS..... | 11 |
| 7. UPPER LOOPER COMPONENTS | 13 |
| 8. LOWER LOOPER COMPONENTS | 15 |
| 9. CHAIN LOOPER COMPONENTS (1)..... | 17 |
| 10. CHAIN LOOPER COMPONENTS (2)..... | 19 |
| 11. FEED MECHANISM COMPONENTS (1)..... | 21 |
| 12. FEED MECHANISM COMPONENTS (2)..... | 23 |
| 13. KNIFE COMPONENTS | 25 |
| 14. PRESSER FOOT COMPONENTS | 27 |
| 15. LUBRICATION MECHANISM COMPONENTS | 29 |
| 16. NEEDLE COOLER UNIT COMPONENTS..... | 31 |
| 17. THREAD STAND COMPONENTS (FOR MO-6804S) | 33 |
| 18. THREAD STAND COMPONENTS (FOR MO-6814S) | 35 |
| 19. THREAD STAND COMPONENTS (FOR MO-6816S) | 37 |
| 20. THREAD STAND COMPONENTS (FOR MO-6843S) | 39 |
| 21. SEMI-SUNKEN TYPE TABLE COMPONENTS | 41 |
| 22. FULLY-SUNKEN TYPE TABLE COMPONENTS | 43 |
| 23. ACCESSORIES PARTS COMPONENTS..... | 45 |
| 24. PSC UNIT..... | 47 |
| 25. TAPE INSERTION COMPONENTS..... | 49 |
| 26. 30P COMPONENTS | 51 |
| 27. 60H COMPONENTS | 53 |
| 28. MO-6800S GAUGE TABLE..... | 55 |
| 29. MO-6800S GAUGE TABLE PRESSER FOOT COMPONENTS (1) | 57 |
| 30. MO-6800S GAUGE TABLE PRESSER FOOT COMPONENTS (2) | 59 |
| 31. MO-6800S GAUGE TABLE PRESSER FOOT COMPONENTS (3) | 61 |
| NUMERICAL INDEX OF PARTS..... | 63 |

1. MISCELLANEOUS COVER COMPONENTS (1)



| REF.NO | NOTE | PART NO | DESCRIPTION | Qty |
|--------|------|-----------|--------------------|-----|
| 1 | | 700-00363 | WASHER | 4 |
| 2 | | 700-00365 | WASHER | 4 |
| 3 | | 401-59534 | RUBBER PLUG | 1 |
| 4 | | 401-72525 | COVER | 1 |
| 5 | | 700-00443 | METAL FOAM GASKET | 1 |
| 6 | | ***** | NAME PLATE | 1 |
| 7 | | 700-00515 | E_SCREW | 1 |
| 8 | | 700-00522 | E_SCREW | 1 |
| 9 | | 700-00529 | E_SCREW | 1 |
| 10 | | 700-00543 | E_SCREW | 4 |
| 11 | | 700-00544 | E_SCREW | 4 |
| 12 | | 700-00550 | E_SCREW | 3 |
| 13 | | 700-00586 | M_SCREW | 1 |
| 14 | | 700-00659 | PIN | 1 |
| 15 | | 700-00670 | PIN | 1 |
| 16 | | 700-00671 | PIN | 1 |
| 17 | | 700-00672 | PIN | 1 |
| 18 | | 700-00753 | RIVET | 2 |
| 19 | | 700-00754 | DUCT | 2 |
| 20 | | 700-00515 | E_SCREW | 2 |
| 21 | | 700-00515 | E_SCREW | 4 |
| 22 | | 700-00529 | E_SCREW | 1 |
| 23 | | 402-35212 | SIDE_COVER | 1 |
| 24 | | 401-59532 | METAL FOAM GASKET | 1 |
| 25 | | 401-59533 | COVER | 1 |
| 26 | | 401-59537 | RUBBER PLUG COMB. | 1 |
| 27 | | 401-59538 | RUBBER PLUG | (1) |
| 28 | | 401-59539 | FELT | (1) |
| 29 | | 401-59540 | RUBBER PLUG COVER | (1) |
| 30 | #01 | 402-35213 | RUBBER PLUG | 1 |
| 31 | #01 | 402-35214 | RUBBER PLUG | 1 |
| 32 | | 402-35250 | STUD | 2 |
| | | NOTE | #01....FOR O4S,14S | |

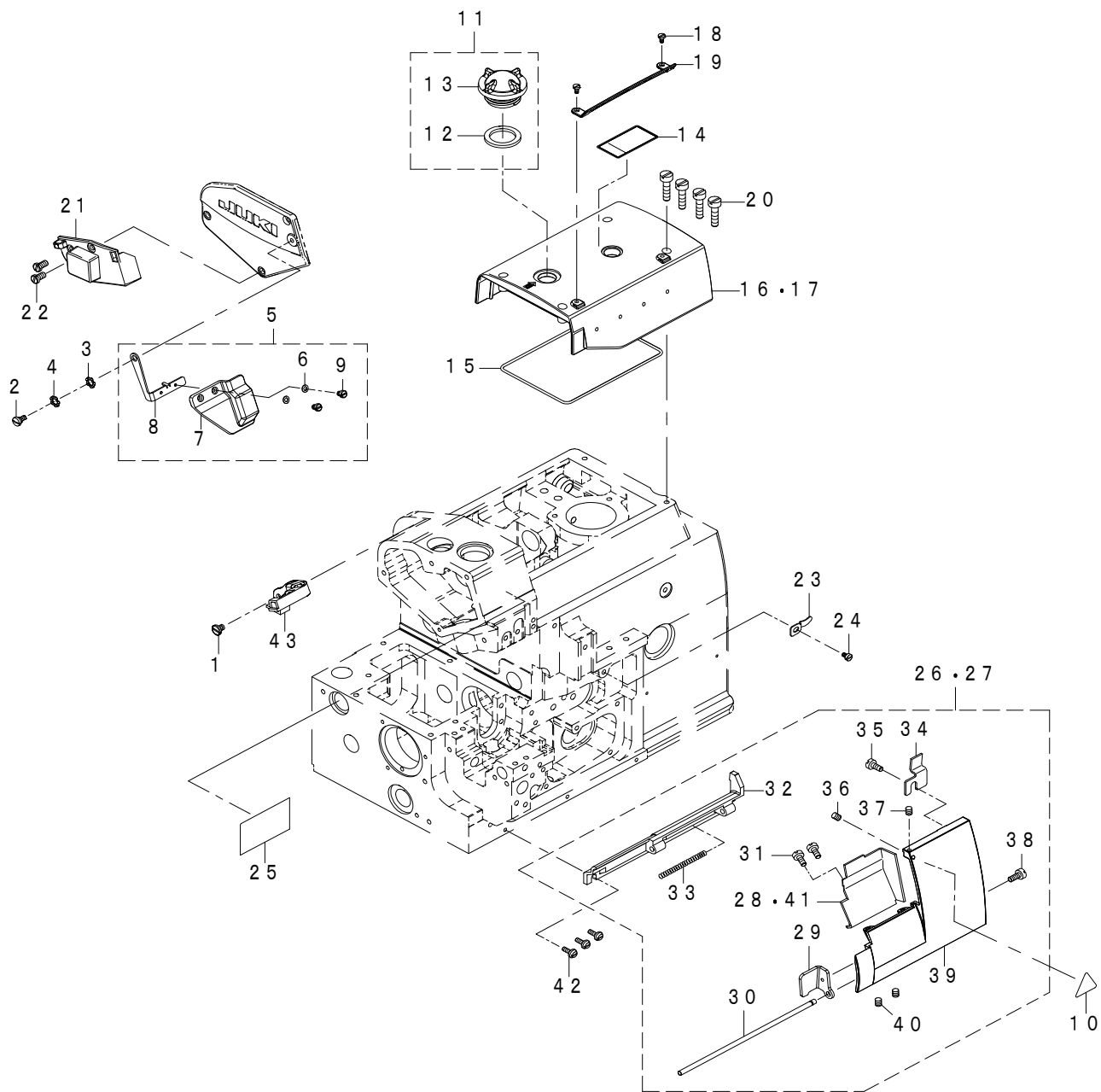
2. MISCELLANEOUS COVER COMPONENTS (2)



| REF.NO | NOTE | PART NO | DESCRIPTION | Qty |
|--------|------|-----------|--------------------------|-----|
| 1 | | 401-59557 | FABRIC PLATE COVER COMB. | 1 |
| 2 | | 700-00368 | WASHER | (2) |
| 3 | | 700-00574 | M_SCREW | (2) |
| 4 | | 700-00490 | RUBBER PLUG | (1) |
| 5 | | 700-00334 | FIXED SEAT | (1) |
| 6 | | 401-59562 | WASHER | (1) |
| 7 | | 401-59563 | M_SCREW | (1) |
| 8 | | 401-59556 | SIDE COVER | (1) |
| 9 | | 401-59555 | FABRIC PLATE COVER | (1) |
| 10 | | 401-59564 | LEVER | (1) |
| 11 | | 401-59565 | SPRING | (1) |
| 12 | | 700-00528 | E_SCREW | (1) |
| 13 | | 401-59558 | BUSHING | (1) |
| 14 | | 401-59559 | WASHER | (1) |
| 15 | | 401-59560 | WASHER | (1) |
| 16 | | 700-00577 | M_SCREW | (1) |
| 17 | | 401-59561 | RUBBER PLUG | (1) |
| 18 | | 401-59552 | M_SCREW | 1 |
| 19 | | 401-59553 | GUIDE PLATE | 1 |
| 20 | | 401-59554 | OILER COVER | 1 |
| 21 | | 700-00516 | E_SCREW | 2 |
| 22 | | 700-00404 | FIXED PLATE | 1 |
| 23 | | 700-00518 | E_SCREW | 1 |
| 24 | | 700-00453 | NUT | 1 |
| 25 | | 700-00452 | NUT | (1) |
| 26 | | 700-00563 | E_SCREW | (1) |
| 27 | | 700-00494 | SCREW | 2 |
| 28 | | 700-00493 | FABRIC GUIDE | 1 |
| 29 | | 700-00515 | E_SCREW | 2 |
| 30 | | 700-00755 | SPONGY CUSHION | 1 |
| 31 | | 401-59551 | LABEL (GROUND_MARK) | 1 |
| 32 | | 700-00515 | E_SCREW | 1 |

3. MISCELLANEOUS COVER COMPONENTS (3)

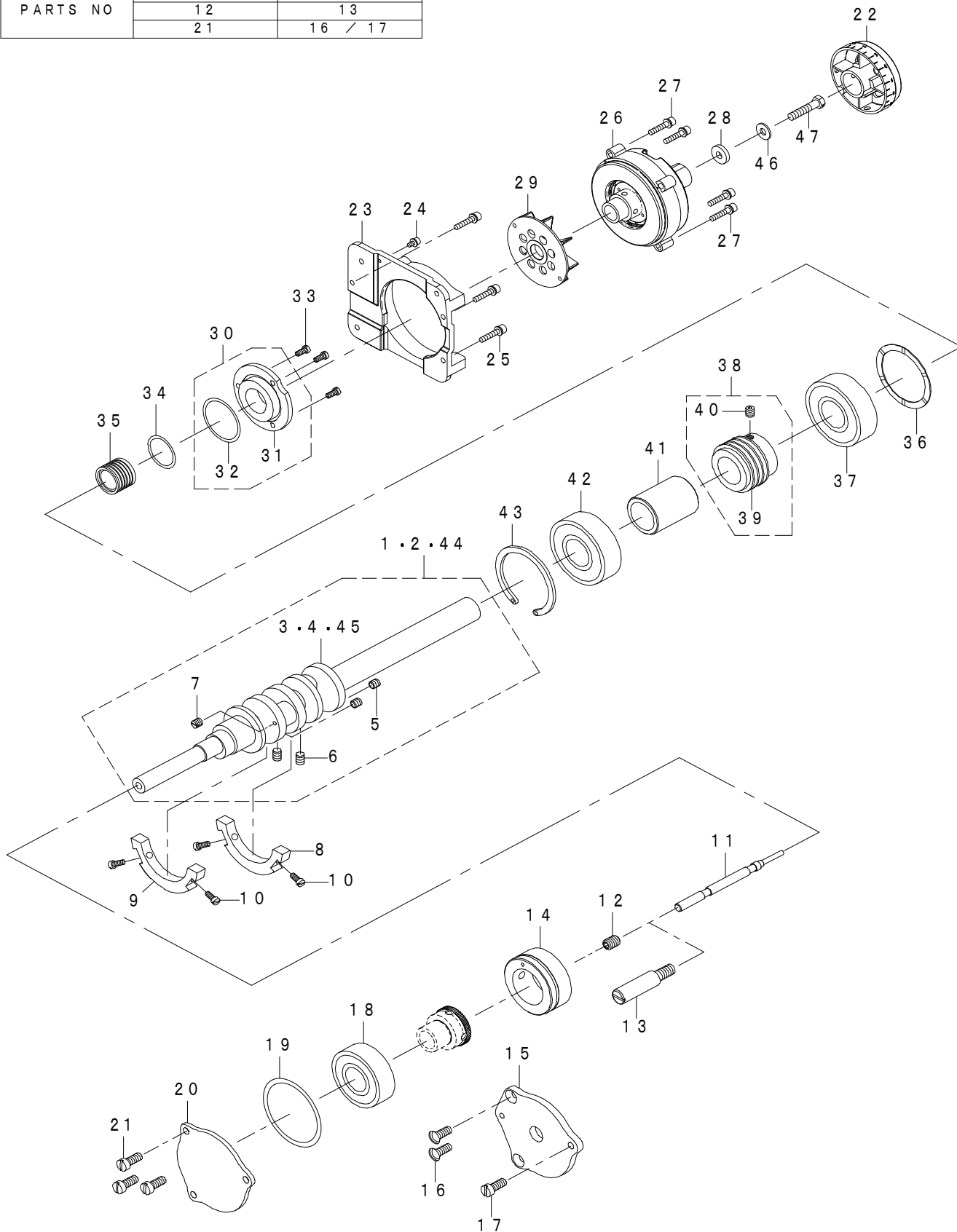
| MODEL | 04 S / 14 S | 16 S / 43 S |
|----------|-------------|-------------|
| PARTS NO | 28 | 41 |
| | 26 | 27 |



| REF.NO | NOTE | PART NO | DESCRIPTION | Qty |
|--------|------|-----------|--|-----|
| 1 | | 700-00518 | E_SCREW | 1 |
| 2 | | 401-59573 | M_SCREW | 1 |
| 3 | | 401-59572 | WASHER | 1 |
| 4 | | 401-59572 | WASHER | 1 |
| 5 | | 401-59577 | SAFETY PLATE COMB. | 1 |
| 6 | | 401-59576 | WASHER | (2) |
| 7 | | 401-59575 | SAFETY PLATE | (1) |
| 8 | | 401-59574 | SAFETY PLATE BRACKET | (1) |
| 9 | | 700-00908 | M_SCREW | (2) |
| 10 | | 700-00736 | LABEL | 1 |
| 11 | | 401-59579 | OIL LEVEL INSPECTION LENS COMB. | 1 |
| 12 | | 700-00136 | GASKET | (1) |
| 13 | | 401-59578 | OIL LEVEL INSPECTION LENS | (1) |
| 14 | | 700-00161 | LABEL | 1 |
| 15 | | 700-00222 | O-RING | 1 |
| 16 | | 402-35215 | TOP_COVER | 1 |
| 17 | #01 | 402-35216 | TOP_COVER_(43 SIZE) | 1 |
| 18 | | 401-59580 | E_SCREW | 2 |
| 19 | | 401-59581 | THREAD GUIDE PLATE | 1 |
| 20 | | 700-00563 | E_SCREW | 4 |
| 21 | | 402-35217 | LED_DEVICE | 1 |
| 22 | | 402-35218 | E_SCREW | 2 |
| 23 | | 700-00745 | GUIDE PLATE | 1 |
| 24 | | 700-00555 | E_SCREW | 1 |
| 25 | | ***** | EMBLEM | 1 |
| 26 | #02 | 401-59585 | FRONT COVER COMB. | 1 |
| 27 | #03 | 401-59593 | FRONT COVER COMB. | 1 |
| 28 | #02 | 700-00481 | FRONT COVER | (1) |
| 29 | | 700-00660 | PIN | (1) |
| 30 | | 401-59590 | SHAFT | (1) |
| 31 | | 700-00577 | M_SCREW | (2) |
| 32 | | 401-59586 | FIXED SEAT | (1) |
| 33 | | 401-59587 | SPRING | (1) |
| 34 | | 700-00744 | RETAINING CLIP | (1) |
| 35 | | 700-00577 | M_SCREW | (1) |
| 36 | | 700-00570 | M_SCREW | (1) |
| 37 | | 700-00569 | M_SCREW | (1) |
| 38 | | 401-59591 | E_SCREW | (1) |
| 39 | | 401-59592 | FRONT COVER | (1) |
| 40 | | 700-00573 | M_SCREW | (2) |
| 41 | #03 | 700-00820 | FRONT COVER | 1 |
| 42 | | 401-59589 | E_SCREW | 3 |
| 43 | | 402-35219 | LED_CORD_BASE | 1 |
| | | NOTE | #01....FOR 43S #02....FOR 04S,14S #03....FOR 16S,43S | |

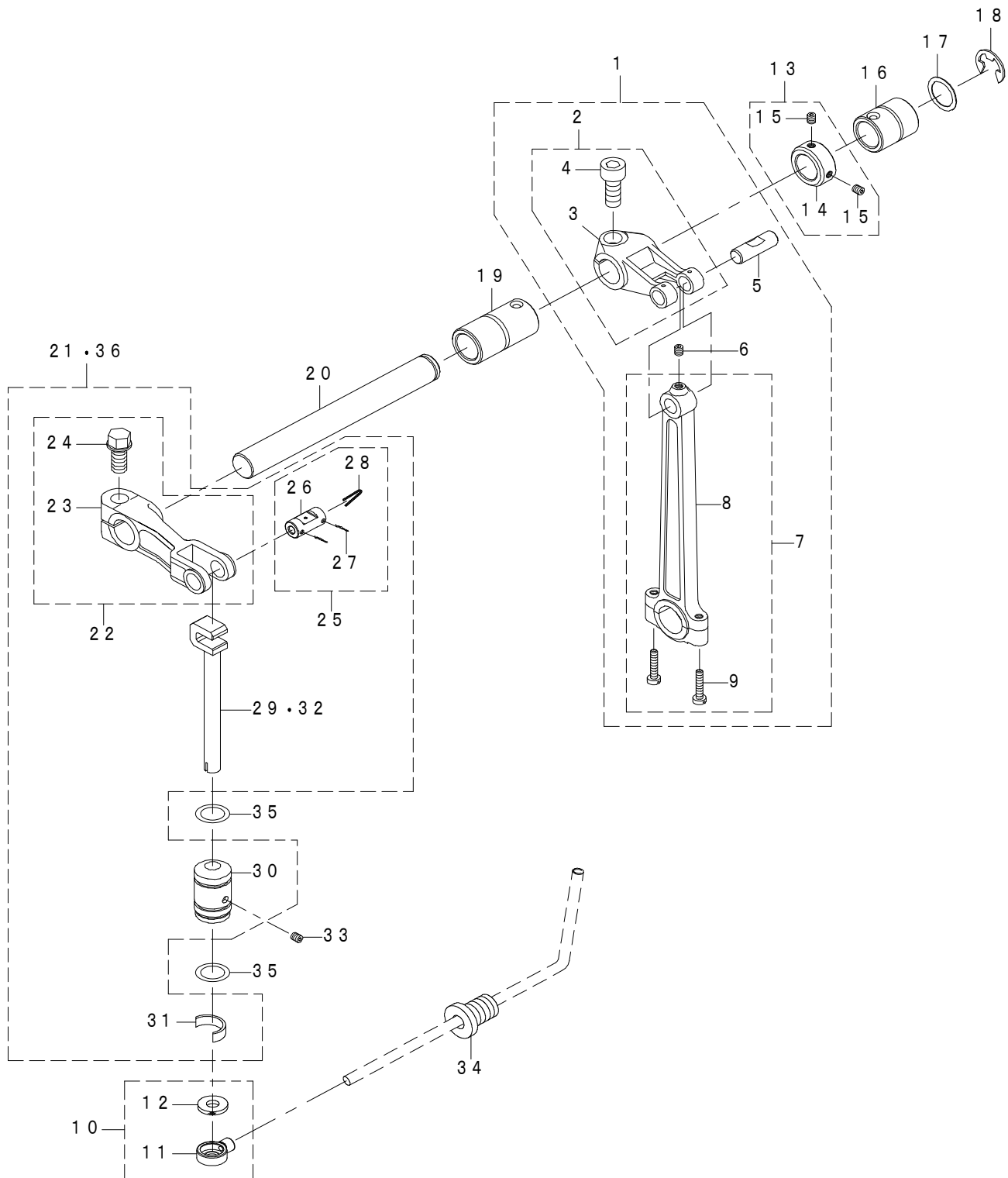
4. CRANKSHAFT COMPONENTS

| MODEL | 04 S / 14 S | 16 S / 43 S |
|----------|-------------|-------------|
| PARTS NO | 20 | 15 |
| | 12 | 13 |
| | 21 | 16 / 17 |



| REF.NO | NOTE | PART NO | DESCRIPTION | Qty |
|--------|------|-----------|------------------------------------|-----|
| 1 | | 401-59606 | MAIN SHAFT COMB. | 1 |
| 2 | #01 | 401-59607 | MAIN SHAFT COMB. (HIGH TYPE) | 1 |
| 3 | | 401-59604 | MAIN SHAFT | (1) |
| 4 | #01 | 401-59605 | MAIN SHAFT (HIGH TYPE) | (1) |
| 5 | | 700-00565 | E_SCREW | (2) |
| 6 | | 700-00564 | E_SCREW | (2) |
| 7 | | 700-00565 | E_SCREW | (1) |
| 8 | | 700-00619 | BALANCE BLOCK | 1 |
| 9 | | 700-00620 | BALANCE BLOCK | 1 |
| 10 | | 700-00535 | E_SCREW | 4 |
| 11 | | 700-00737 | SHAFT | 1 |
| 12 | #02 | 401-59608 | M_SCREW | 1 |
| 13 | #03 | 700-00460 | FASTENER PIN | 1 |
| 14 | | 700-00130 | BUSHING | 1 |
| 15 | #03 | 700-00701 | BEARING COVER | 1 |
| 16 | #03 | 700-00554 | E_SCREW | 2 |
| 17 | #03 | 700-00562 | E_SCREW | 1 |
| 18 | | 700-00694 | BEARING | 1 |
| 19 | | 700-00145 | O-RING | 1 |
| 20 | #02 | 700-00700 | BEARING COVER | 1 |
| 21 | #02 | 700-00508 | E_SCREW | 3 |
| 22 | | 402-35226 | HAND WHEEL COMB. | 1 |
| 23 | | 402-35220 | DD MOTOR_BASE | 1 |
| 24 | | 402-35222 | M_SCREW | 1 |
| 25 | | 700-00520 | E_SCREW | 3 |
| 26 | | 402-35223 | DD MOTOR | 1 |
| 27 | | 402-35224 | M_SCREW | 4 |
| 28 | | 402-35225 | WASHER | 1 |
| 29 | | 402-35221 | FAN BLADE | 1 |
| 30 | | 700-00431 | SIDE COVER COMB. | 1 |
| 31 | | 700-00430 | SIDE COVER | (1) |
| 32 | | 700-00145 | O-RING | (1) |
| 33 | | 700-00521 | E_SCREW | 3 |
| 34 | | 700-00143 | O-RING | 1 |
| 35 | | 700-00149 | WORM WHEEL | 1 |
| 36 | | 700-00699 | WASHER | 1 |
| 37 | | 700-00695 | BEARING | 1 |
| 38 | | 700-00259 | WORM WHEEL | 1 |
| 39 | | 700-00257 | WORM WHEEL | (1) |
| 40 | | 700-00522 | E_SCREW | (1) |
| 41 | | 700-00314 | SHAFT | 1 |
| 42 | | 700-00696 | BEARING | 1 |
| 43 | | 700-00449 | STOP RING | 1 |
| 44 | #04 | 401-64012 | MAIN SHAFT COMB.(30P) | 1 |
| 45 | #04 | 401-64011 | MAIN SHAFT (30P) | (1) |
| 46 | | 700-00612 | WASHER | 1 |
| 47 | | 401-59603 | M_SCREW | 1 |
| | NOTE | | #01....FOR 14S-40H,14S-44H,16S-50H | |
| | | | #02....FOR 04S,14S | |
| | | | #03....FOR 16S,43S | |
| | | | #04....FOR 30P | |

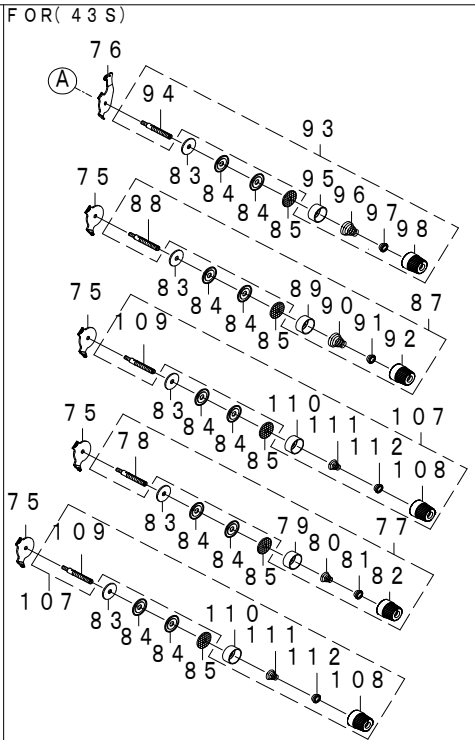
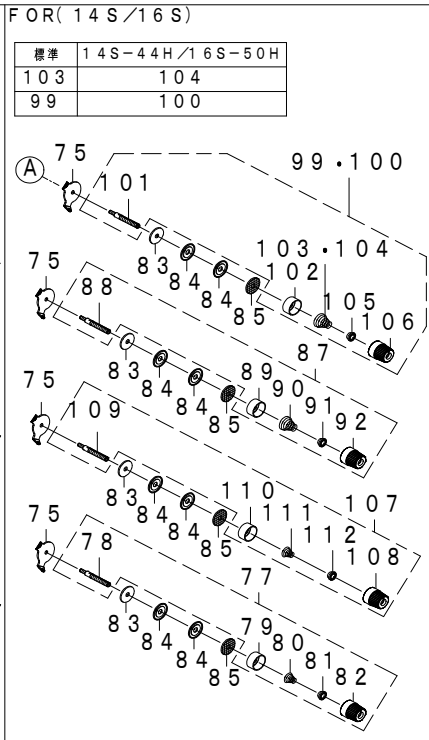
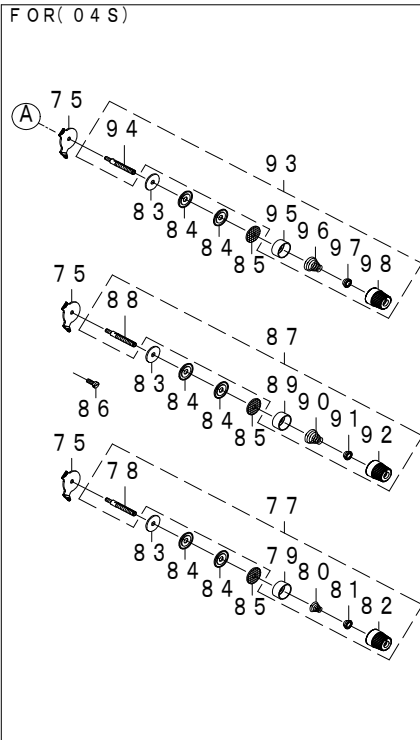
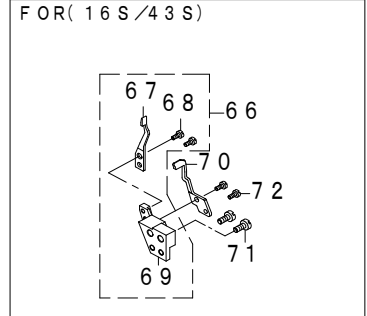
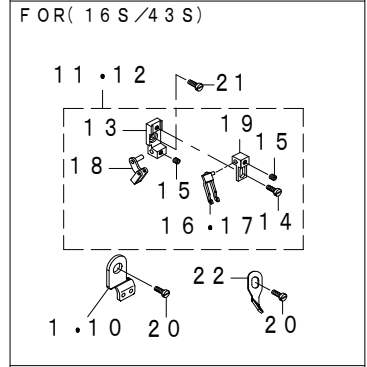
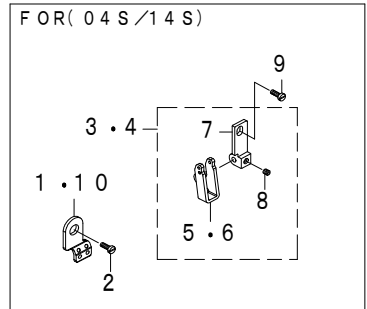
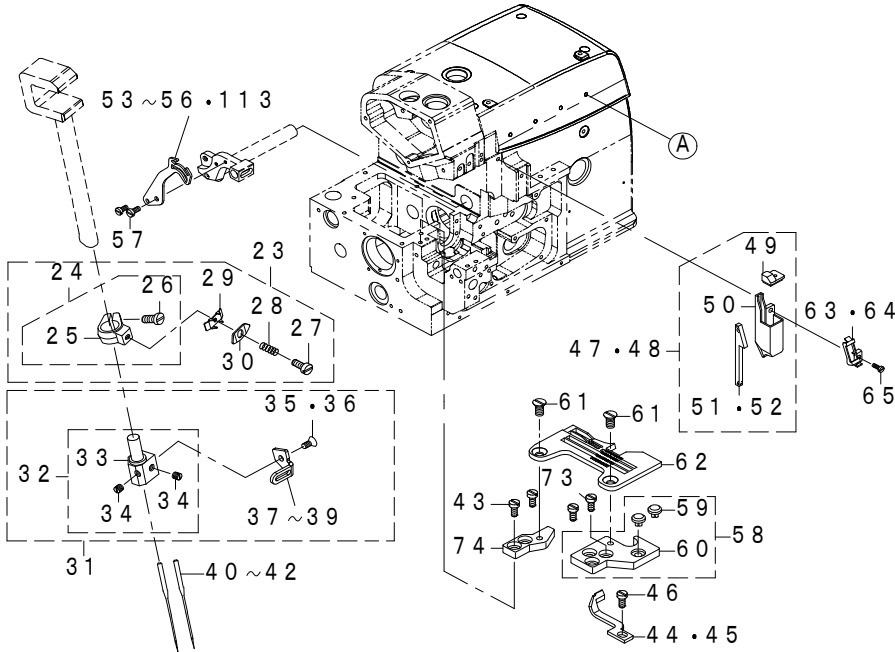
5. NEEDLE DRIVING SHAFT COMPONENTS



| REF.NO | NOTE | PART NO | DESCRIPTION | Qty |
|--------|------|-----------|-----------------------|-----|
| 1 | | 401-59615 | SHAFT COMB. | 1 |
| 2 | | 700-00643 | SHAFT | (1) |
| 3 | | 700-00640 | NEEDLE BAR ROCKER | (1) |
| 4 | | 700-00588 | M_SCREW | (1) |
| 5 | | 700-00646 | PIN | (1) |
| 6 | | 700-00522 | E_SCREW | (1) |
| 7 | | 401-59618 | CONNECTING ROD COMB. | (1) |
| 8 | | 401-59617 | CONNECTING ROD | (1) |
| 9 | | 700-00578 | M_SCREW | (2) |
| 10 | | 700-00267 | OIL FELT | 1 |
| 11 | | 700-00266 | PLUG | (1) |
| 12 | | 700-00677 | OIL FELT | (1) |
| 13 | | 700-00437 | COLLAR | 1 |
| 14 | | 700-00432 | COLLAR | (1) |
| 15 | | 700-00522 | E_SCREW | (2) |
| 16 | | 700-00637 | BUSHING | 1 |
| 17 | | 700-00362 | WASHER | 1 |
| 18 | | 700-00134 | E_CIRCLIPS | 1 |
| 19 | | 700-00639 | BUSHING | 1 |
| 20 | | 700-00635 | ARBOR | 1 |
| 21 | | 401-59619 | NEEDLE BAR COMB. | 1 |
| 22 | | 700-00633 | CONNECTING ROD COMB. | (1) |
| 23 | | 700-00632 | CONNECTING ROD | (1) |
| 24 | | 700-00593 | M_SCREW | (1) |
| 25 | | 700-00638 | SHAFT COMB. | (1) |
| 26 | | 700-00636 | SHAFT | (1) |
| 27 | | 700-00728 | OIL YARN | (2) |
| 28 | | 700-00729 | OIL WICK | (1) |
| 29 | | 700-00654 | NEEDLE BAR | (1) |
| 30 | | 401-59620 | BUSHING | (1) |
| 31 | | 700-00676 | OIL FELT | (1) |
| 32 | #01 | 401-59658 | NEEDLE BAR (44H) | (1) |
| 33 | | 700-00503 | E_SCREW | 1 |
| 34 | | 700-00445 | PLUG | 1 |
| 35 | | 700-00141 | O-RING | 2 |
| 36 | #01 | 401-59623 | NEEDLE BAR COMB.(44H) | 1 |
| | | NOTE | #01....FOR 14S-44H | |

6. THREAD TENSION COMPONENTS

| MODEL | 04 S | 14 S | 16 S | 43 S | 14 S-30 P |
|----------|------|------|------|------|-----------|
| PARTS NO | 10 | 1 | 10 | 1 | 113 |
| | 5 | 6 | 16 | 17 | |
| | 54 | 53 | 55 | 56 | |
| | 51 | 51 | 52 | 52 | |
| | 63 | 63 | 64 | 64 | |
| | 44 | 44 | 45 | 45 | |
| | 38 | 37 | 39 | 39 | |
| | 8 | 8 | 15 | 15 | |
| | 2 | 2 | 20 | 20 | |
| | 9 | 9 | 21 | 21 | |
| | | | 14 | 14 | |
| | 35 | 35 | 36 | 36 | |
| | 3 | 4 | 11 | 12 | |
| | 47 | 47 | 48 | 48 | |

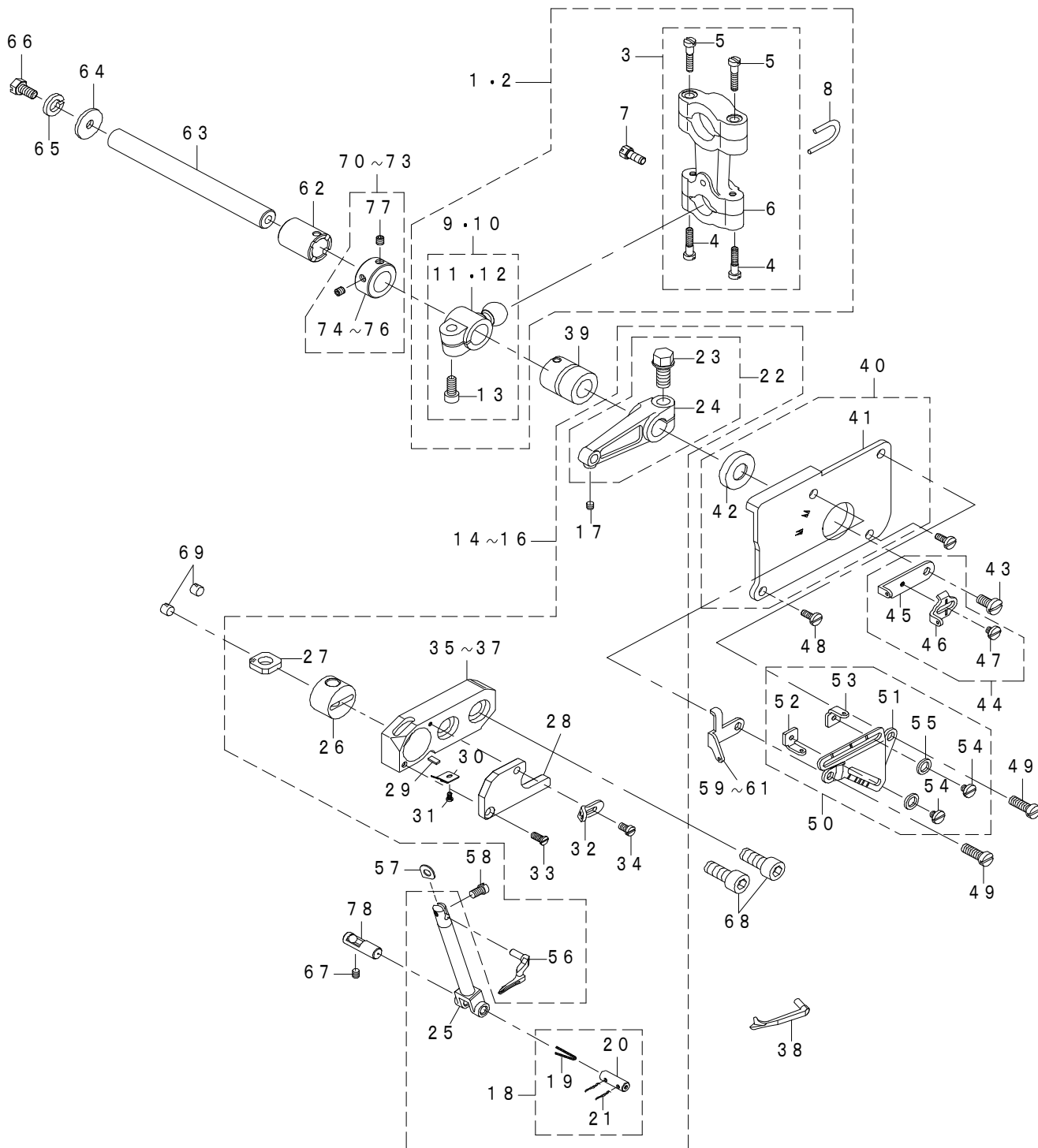


| REF.NO | NOTE | PART NO | DESCRIPTION | Qty |
|--------|------|-----------|------------------------------|-----|
| 1 | #09 | 401-59645 | THREAD GUIDE PLATE | 1 |
| 2 | #06 | 700-00513 | E. SCREW | 1 |
| 3 | #02 | 700-00173 | FIXED PLATE COMB. | 1 |
| 4 | #03 | 700-00832 | FIXED PLATE COMB. | 1 |
| 5 | #02 | 700-00822 | THREAD GUIDE PLATE | (1) |
| 6 | #03 | 401-59650 | THREAD GUIDE PLATE | (1) |
| 7 | | 700-00164 | FIXED PLATE | (1) |
| 8 | #06 | 700-00498 | E. SCREW | (1) |
| 9 | #06 | 700-00549 | E. SCREW | (1) |
| 10 | #07 | 401-59646 | THREAD GUIDE PLATE | 1 |
| 11 | #04 | 700-00174 | FIXED PLATE COMB. | 1 |
| 12 | #05 | 700-00833 | FIXED SEAT COMB. | 1 |
| 13 | | 700-00171 | FIXED SEAT | (1) |
| 14 | #08 | 700-00559 | E. SCREW | (1) |
| 15 | #08 | 700-00498 | E. SCREW | (2) |
| 16 | #04 | 401-59647 | THREAD GUIDE PLATE | (1) |
| 17 | #05 | 401-59651 | THREAD GUIDE PLATE | (1) |
| 18 | | 401-59648 | THREAD GUIDE PLATE | (1) |
| 19 | | 700-00169 | FIXED BLOCK | (1) |
| 20 | #08 | 700-00513 | E. SCREW | 2 |
| 21 | #08 | 700-00555 | E. SCREW | 1 |
| 22 | | 700-00168 | THREAD GUIDE PLATE | 1 |
| 23 | | 700-00629 | CATCHER | 1 |
| 24 | | 700-00653 | CRAMP | (1) |
| 25 | | 700-00652 | CRAMP | (1) |
| 26 | | 700-00572 | M. SCREW | (1) |
| 27 | | 401-59629 | M. SCREW | (1) |
| 28 | | 700-00598 | SPRING | (1) |
| 29 | | 700-00626 | THREAD GRIP | (1) |
| 30 | | 700-00627 | THREAD GRIP | (1) |
| 31 | #01 | ***** | NEEDLE CLAMP | 1 |
| 32 | #01 | ***** | NEEDLE CLAMP | (1) |
| 33 | #01 | ***** | NEEDLE CLAMP | (1) |
| 34 | #06 | 700-00498 | E. SCREW | (2) |
| 35 | #06 | 700-00567 | M. SCREW | (1) |
| 36 | #08 | 700-00831 | M. SCREW | (1) |
| 37 | #03 | 700-00828 | THREAD CROSSING | (1) |
| 38 | #02 | 700-00828 | THREAD CROSSING | (1) |
| 39 | #04 | 401-72527 | THREAD CROSSING | (1) |
| 40 | #01 | ***** | NEEDLE | 2 |
| 41 | #01 | ***** | NEEDLE | 1 |
| 42 | #01 | ***** | NEEDLE | 3 |
| 43 | #01 | 700-00550 | E. SCREW | 2 |
| 44 | #06 | 700-00469 | NEEDLE GUARD | 1 |
| 45 | #08 | 700-00827 | NEEDLE GUARD | 1 |
| 46 | | 700-00555 | E. SCREW | 1 |
| 47 | #06 | 700-00887 | OILER | 1 |
| 48 | #08 | 401-59652 | OILER | 1 |
| 49 | | 700-00849 | OILER COVER | (1) |
| 50 | | 700-00847 | OILER | (1) |
| 51 | #06 | 700-00848 | OIL FELT | (1) |
| 52 | #08 | 700-00885 | OIL FELT | (1) |
| 53 | #03 | 401-59630 | THREAD TAKE-UP LEVER | 1 |
| 54 | #02 | 401-59653 | THREAD TAKE-UP LEVER | 1 |
| 55 | #04 | 401-59654 | THREAD TAKE-UP LEVER | 1 |
| 56 | #05 | 401-59655 | THREAD TAKE-UP LEVER | 1 |
| 57 | | 700-00505 | E. SCREW | 2 |
| 58 | | 401-59628 | NEEDLE PLATE BRACKET COMB. | 1 |
| 59 | | 700-00704 | RUBBER PLUG | (2) |
| 60 | | 401-59626 | NEEDLE PLATE BRACKET | (1) |
| 61 | | 700-00516 | E. SCREW | 2 |
| 62 | #01 | ***** | THROAT PLATE | 1 |
| 63 | #06 | 700-00850 | THREAD GUIDE PLATE | 1 |
| 64 | #08 | 401-59649 | THREAD GUIDE PLATE | 1 |
| 65 | | 401-59625 | E. SCREW | 1 |
| 66 | | 700-00337 | FIXED SEAT COMB. | 1 |
| 67 | | 700-00336 | NEEDLE GUARD | (1) |
| 68 | | 700-00497 | E. SCREW | (2) |
| 69 | | 700-00630 | NEEDLE GUARD | (1) |
| 70 | | 700-00335 | NEEDLE GUARD | 1 |
| 71 | | 700-00526 | E. SCREW | 2 |
| 72 | | 700-00497 | E. SCREW | 2 |
| 73 | | 700-00550 | E. SCREW | 2 |
| 74 | | 401-59627 | NEEDLE PLATE BRACKET | 1 |
| 75 | | 401-59631 | THREAD GUIDE PLATE | 11 |
| 76 | | 401-59644 | THREAD GUIDE PLATE | 1 |
| 77 | | 401-59640 | THREAD TENSION COMB.(R) | 3 |
| 78 | | 401-59632 | THREAD TENSION SHAFT | (1) |
| 79 | | 401-59634 | SLEEVE | (1) |
| 80 | | 700-00211 | SPRING | (1) |
| 81 | | 401-59636 | FIXED RING | (1) |
| 82 | | 401-78548 | THREAD TENSION KNOB.(R) | (1) |
| 83 | | 401-59633 | THREAD TENSION RUBBER WASHER | 12 |
| 84 | | 700-00203 | THREAD GRIP | 24 |
| 85 | | 700-00213 | OIL FELT | 12 |
| 86 | | 700-00513 | E. SCREW | 1 |
| 87 | | 401-59641 | THREAD TENSION COMB.(Y) | 3 |
| 88 | | 401-59632 | THREAD TENSION SHAFT | (1) |
| 89 | | 401-59634 | SLEEVE | (1) |
| 90 | | 401-59624 | SPRING | (1) |
| 91 | | 401-59636 | FIXED RING | (1) |
| 92 | | 401-78550 | THREAD TENSION KNOB.(Y) | (1) |
| 93 | | 401-59642 | THREAD TENSION COMB. | 2 |
| 94 | | 401-59632 | THREAD TENSION SHAFT | (1) |
| 95 | | 401-59634 | SLEEVE | (1) |
| 96 | | 401-59624 | SPRING | (1) |
| 97 | | 401-59636 | FIXED RING | (1) |
| 98 | | 401-78549 | THREAD TENSION KNOB.(G) | (1) |
| 99 | | 401-59642 | THREAD TENSION COMB.(G) | 1 |
| 100 | | 401-59656 | THREAD TENSION COMB.(G1) | 1 |
| 101 | #10 | 401-59632 | THREAD TENSION SHAFT | (1) |
| 102 | | 401-59634 | SLEEVE | (1) |
| 103 | | 401-59624 | SPRING | (1) |
| 104 | | 401-59657 | SPRING | (1) |
| 105 | #10 | 401-59636 | FIXED RING | (1) |
| 106 | | 401-78549 | THREAD TENSION KNOB.(G) | (1) |
| 107 | | 401-59643 | THREAD TENSION COMB.(Y1) | 3 |
| 108 | | 401-78550 | THREAD TENSION KNOB.(Y) | (1) |
| 109 | | 401-59632 | THREAD TENSION SHAFT | (1) |
| 110 | | 401-59634 | SLEEVE | (1) |
| 111 | | 700-00211 | SPRING | (1) |
| 112 | | 401-59636 | FIXED RING | (1) |
| 113 | #11 | 401-64056 | THREAD TAKE-UP LEVER | 1 |

NOTE
#01...REFER 'MO-6800S GAUGE TABLE'
#02...FOR 04S
#03...FOR 14S
#04...FOR 16S
#05...FOR 43S
#06...FOR 04S,14S
#07...FOR 04S,16S
#08...FOR 16S,43S
#09...FOR 14S,43S
#10...FOR 14S-44H,16S-50H
#11...FOR 14S-30P

7. UPPER LOOPER COMPONENTS

| MODEL | 04 S / 16 S | 14 S / 43 S | 14 S - 44 H | 16 S - 50 H |
|----------|-------------|-------------|-------------|-------------|
| PARTS NO | 73 | 72 | 70 | 71 + 72 |
| | 12 | 11 | 11 | 12 |
| | 10 | 9 | 9 | 10 |
| | 2 | 1 | 1 | 2 |
| | 35 | 36 | 37 | 35 |
| | 59 | | 16 | 61 |
| | 14 | 15 | 78 | 14 |
| | 75 | 76 | 74 | 76 |



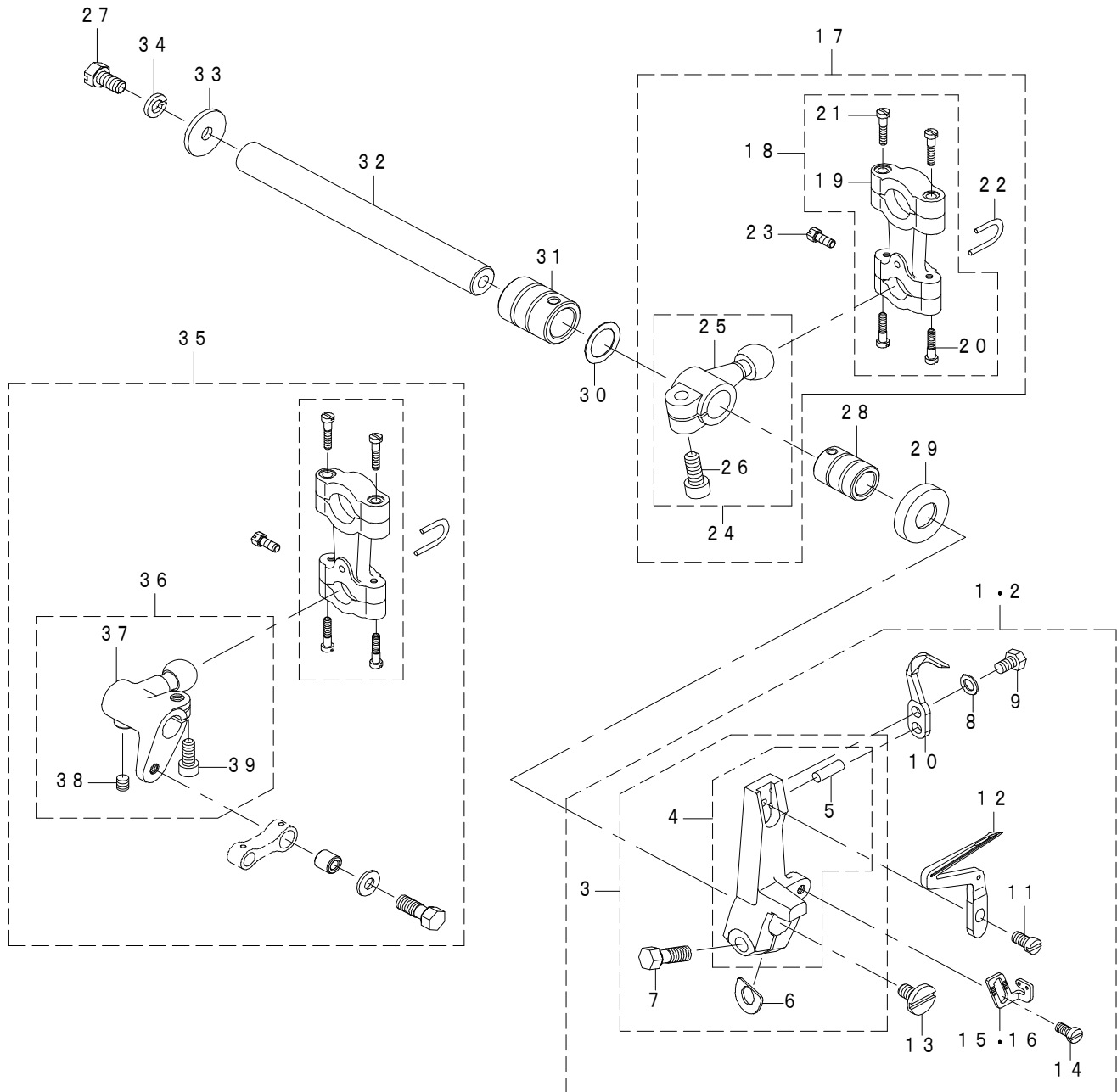
| REF.NO | NOTE | PART NO | DESCRIPTION | Qty |
|--------|------|-----------|---------------------------------|-----|
| 1 | #07 | 401-59686 | BALL CONNECTING ROD COMB. | 1 |
| 2 | #08 | 401-59687 | BALL CONNECTING ROD COMB. | 1 |
| 3 | | 401-79596 | CONNECTING ROD | (1) |
| 4 | | 401-79597 | E_SCREW | (2) |
| 5 | | 401-79597 | E_SCREW | (2) |
| 6 | | 401-78084 | BALL CONNECTING ROD | (1) |
| 7 | | 700-00545 | E_SCREW | (1) |
| 8 | | 401-59684 | FIXED JAW | (1) |
| 9 | | 700-00254 | BALL CONNECTING ROD COMB. | (1) |
| 10 | #08 | 401-59678 | BALL CONNECTING ROD COMB. | (1) |
| 11 | #07 | 700-00253 | BALL CONNECTING ROD | (1) |
| 12 | #08 | 700-00834 | BALL CONNECTING ROD | (1) |
| 13 | | 700-00590 | M_SCREW | (1) |
| 14 | #01 | 401-59675 | CONNECTING ROD SEAT COMB. | 1 |
| 15 | #02 | 401-59681 | CONNECTING ROD SEAT COMB. | 1 |
| 16 | #03 | 401-59682 | CONNECTING ROD SEAT COMB. | 1 |
| 17 | | 700-00498 | E_SCREW | (1) |
| 18 | | 700-00251 | LOOPER CONNECTING ROD PIN COMB. | (1) |
| 19 | | 700-00729 | OIL WICK | (1) |
| 20 | | 700-00661 | PIN | (1) |
| 21 | | 700-00728 | OIL YARN | (2) |
| 22 | | 700-00240 | CONNECTING ROD COMB. | (1) |
| 23 | | 700-00593 | M_SCREW | (1) |
| 24 | | 700-00239 | CONNECTING ROD | (1) |
| 25 | | 401-72535 | LOOPER CONNECTING ROD | (1) |
| 26 | | 700-00241 | LOOPER GUIDE SHAFT | (1) |
| 27 | | 700-00678 | OIL WICK | (1) |
| 28 | | 700-00243 | FIXED PLATE | (1) |
| 29 | | 401-59671 | OIL FELT | (1) |
| 30 | | 401-59672 | FELT COVER | (1) |
| 31 | | 700-00538 | E_SCREW | (1) |
| 32 | | 700-00193 | THREAD CROSSING | (1) |
| 33 | | 700-00560 | E_SCREW | (1) |
| 34 | | 401-59674 | E_SCREW | (1) |
| 35 | #08 | 401-59673 | CONNECTING ROD SEAT | (1) |
| 36 | #02 | 401-59679 | CONNECTING ROD SEAT | (1) |
| 37 | #03 | 401-59680 | CONNECTING ROD SEAT | (1) |
| 38 | #10 | 401-76583 | LOOPER | 1 |
| 39 | | 700-00248 | BUSHING | 1 |
| 40 | | 700-00749 | COVER | 1 |
| 41 | | 700-00748 | COVER | (1) |
| 42 | | 700-00268 | OIL SEAL | (1) |
| 43 | | 700-00515 | E_SCREW | 1 |
| 44 | | 700-00202 | THREAD CROSSING COMB. | 1 |
| 45 | | 700-00197 | THREAD CROSSING | (1) |
| 46 | | 700-00198 | THREAD CROSSING | (1) |
| 47 | | 700-00501 | E_SCREW | (1) |
| 48 | | 700-00521 | E_SCREW | 2 |
| 49 | | 700-00521 | E_SCREW | 2 |
| 50 | | 700-00201 | GRADUATED PLATE COMB. | 1 |
| 51 | | 700-00194 | FIXED PLATE | (1) |
| 52 | | 700-00200 | THREAD CROSSING | (1) |
| 53 | | 700-00195 | THREAD CROSSING | (1) |
| 54 | | 700-00501 | E_SCREW | (2) |
| 55 | | 700-00350 | WASHER | (2) |
| 56 | #09 | ***** | LOOPER | 1 |
| 57 | | 401-59670 | WASHER | 1 |
| 58 | | 700-00504 | E_SCREW | 1 |
| 59 | #05 | 700-00196 | THREAD CROSSING | 1 |
| 60 | #03 | 700-00812 | THREAD GUIDE | 1 |
| 61 | #04 | 401-59683 | THREAD GUIDE | 1 |
| 62 | | 700-00247 | BUSHING | 1 |
| 63 | | 700-00246 | ARBOR COMB. | 1 |
| 64 | | 700-00342 | GASKET | 1 |
| 65 | | 700-00613 | WASHER | 1 |
| 66 | | 700-00517 | E_SCREW | 1 |
| 67 | | 700-00522 | E_SCREW | 1 |
| 68 | | 700-00587 | M_SCREW | 2 |
| 69 | | 700-00679 | OIL WICK | 2 |
| 70 | #03 | 401-59666 | COLLAR COMB. | 1 |
| 71 | #04 | 700-00807 | COLLAR COMB. | 1 |
| 72 | #06 | 401-59676 | COLLAR COMB. | 1 |
| 73 | #01 | 401-59677 | COLLAR COMB. | 1 |
| 74 | #03 | 401-59665 | COLLAR | (1) |
| 75 | #01 | 401-77859 | COLLAR | (1) |
| 76 | #06 | 401-59715 | COLLAR | (1) |
| 77 | | 700-00522 | E_SCREW | (2) |
| 78 | | 401-59667 | OIL TUBE | 1 |

NOTE

#01....FOR 04S,16S
#02....FOR 14S,43S
#03....FOR 14S,44H
#04....FOR 16S,50H
#05....FOR 04S,14S,16S,43S
#06....FOR 14S,43S,16S,50H
#07....FOR 14S,43S,14S,44H
#08....FOR 04S,16S,16S,50H
#09....REFER "MO-6800S GAUGE TABLE"
#10....OPTIONAL PARTS

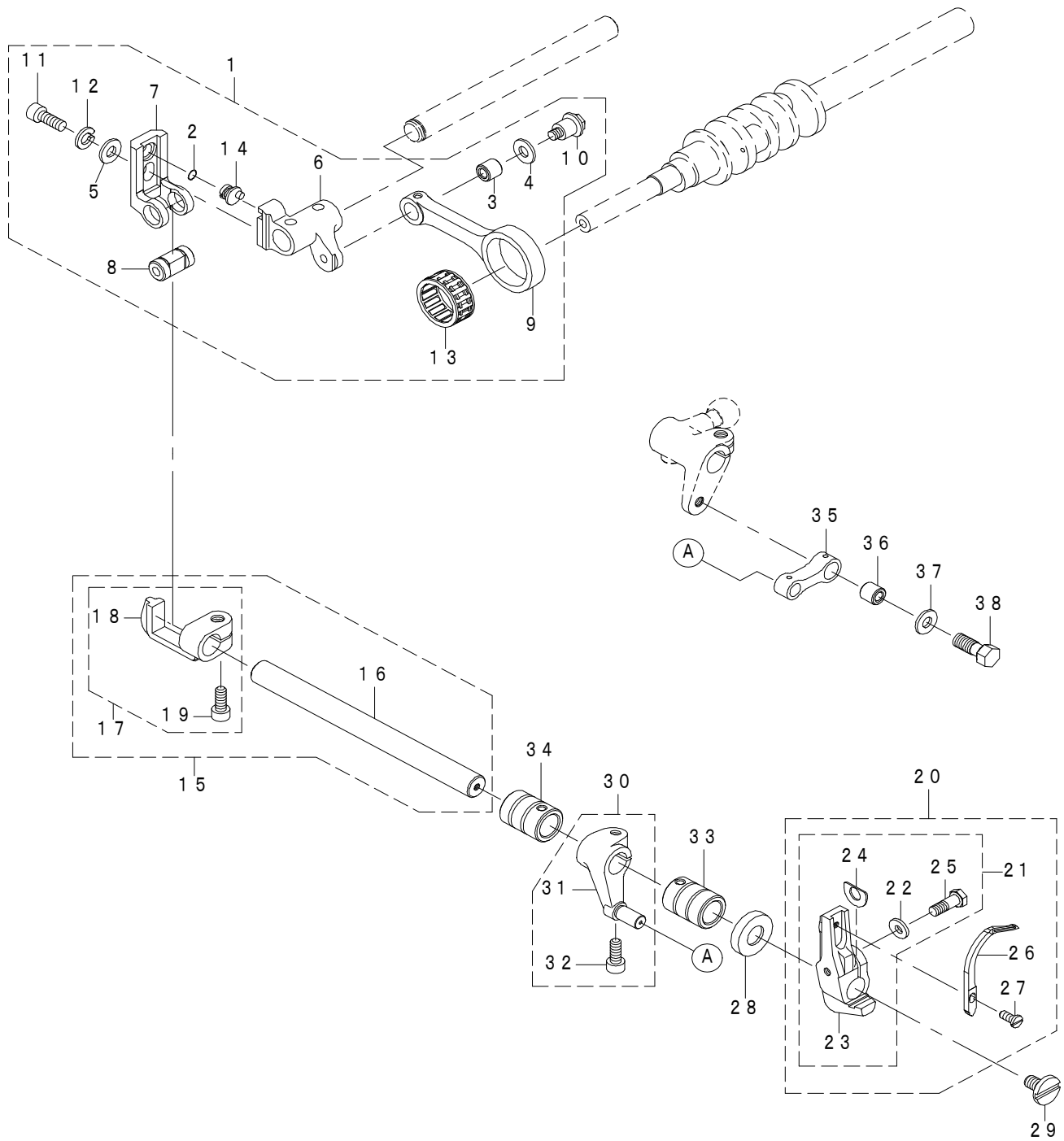
8. LOWER LOOPER COMPONENTS

| MODEL | 04 S / 14 S | 16 S / 43 S | 16 S - 50 H |
|----------|-------------|-------------|-------------|
| PARTS NO | 15 | | 16 |
| | 1 | | 2 |
| | 25 | 37 | |
| | | 38 | |
| | 24 | 36 | |
| | 17 | 35 | |



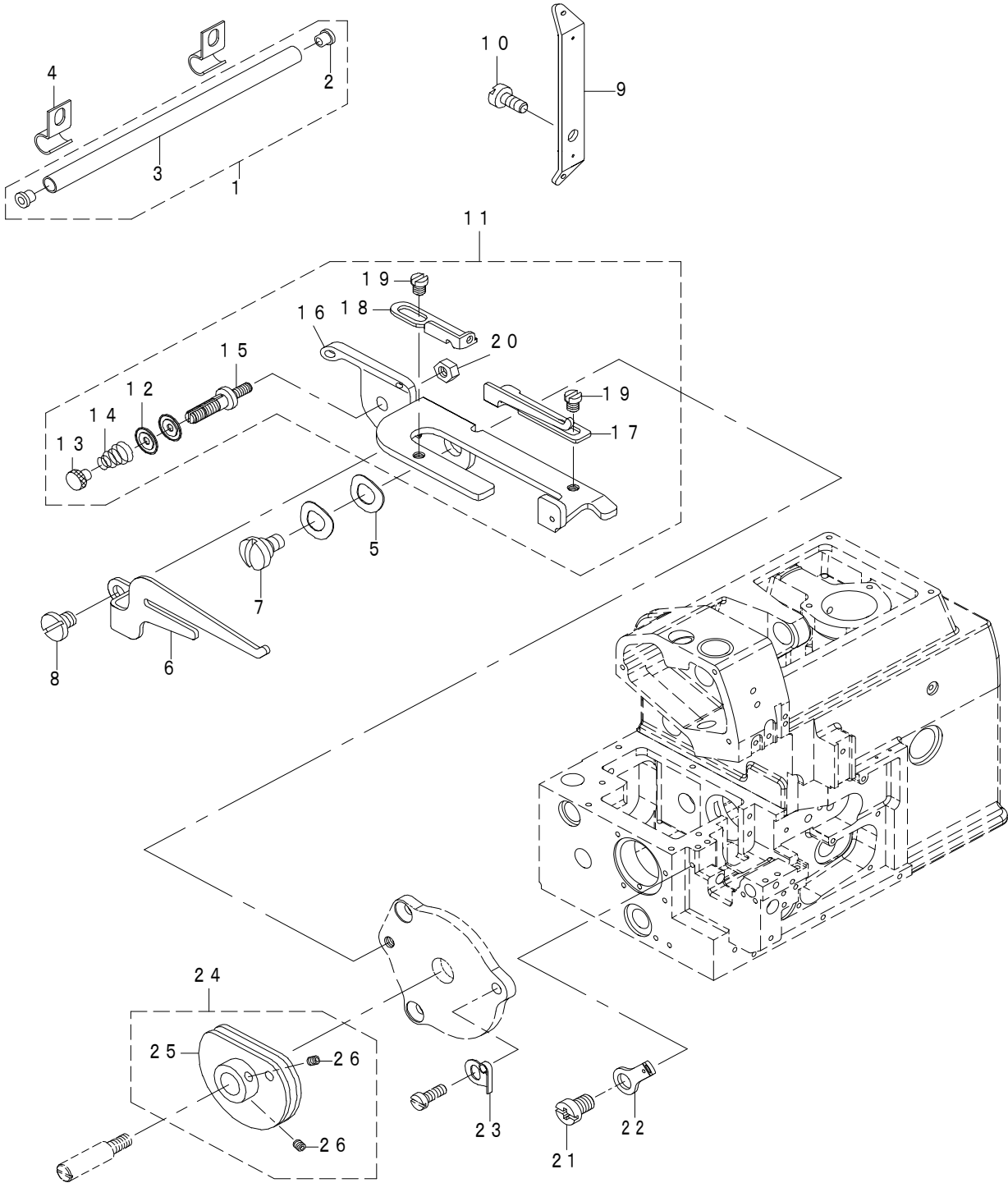
| REF.NO | NOTE | PART NO | DESCRIPTION | Qty |
|--------|------|-----------|---|-----|
| 1 | #04 | 401-59692 | LOOPER HOLDER COMB. | 1 |
| 2 | #03 | 401-59694 | LOOPER HOLDER COMB. | 1 |
| 3 | | 700-00407 | LOOPER HOLDER | (1) |
| 4 | | 700-00406 | LOOPER HOLDER | (1) |
| 5 | | 700-00667 | PIN | (1) |
| 6 | | 700-00380 | GASKET | (1) |
| 7 | | 700-00531 | E_SCREW | (1) |
| 8 | | 700-00751 | WASHER | (1) |
| 9 | | 700-00511 | E_SCREW | (1) |
| 10 | | 700-00175 | EJECTOR PLATE | (1) |
| 11 | | 700-00505 | E_SCREW | (1) |
| 12 | | 700-00405 | LOOPER | (1) |
| 13 | | 700-00525 | E_SCREW | (1) |
| 14 | | 700-00506 | E_SCREW | (1) |
| 15 | #04 | 700-00199 | THREAD GUIDE PLATE | (1) |
| 16 | #03 | 401-59693 | THREAD GUIDE PLATE | (1) |
| 17 | #01 | 401-59689 | BALL CONNECTING ROD COMB. | 1 |
| 18 | | 401-79596 | CONNECTING ROD | (1) |
| 19 | | 401-78084 | BALL CONNECTING ROD | (1) |
| 20 | | 401-79597 | E_SCREW | (2) |
| 21 | | 401-79597 | E_SCREW | (2) |
| 22 | | 401-59684 | FIXED JAW | (1) |
| 23 | | 700-00545 | E_SCREW | (1) |
| 24 | #01 | 700-00415 | BALL CONNECTING ROD | (1) |
| 25 | #01 | 700-00413 | BALL CONNECTING ROD | (1) |
| 26 | | 700-00590 | M_SCREW | (1) |
| 27 | | 700-00517 | E_SCREW | 1 |
| 28 | | 700-00410 | BUSHING | 1 |
| 29 | | 700-00270 | OIL SEAL | 1 |
| 30 | | 700-00752 | WASHER | 1 |
| 31 | | 700-00410 | BUSHING | 1 |
| 32 | | 700-00409 | ARBOR | 1 |
| 33 | | 700-00343 | GASKET | 1 |
| 34 | | 700-00614 | WASHER | 1 |
| 35 | #02 | 401-59690 | BALL CONNECTING ROD COMB. | 1 |
| 36 | #02 | 700-00416 | BALL CONNECTING ROD | (1) |
| 37 | #02 | 700-00414 | BALL CONNECTING ROD | (1) |
| 38 | #02 | 700-00522 | E_SCREW | (1) |
| 39 | | 700-00590 | M_SCREW | (1) |
| | | NOTE | #01....FOR 04S,14S #02....FOR 16S,43S #03....FOR 16-50H #04....FOR 04S,14S,16S,43S | |

9. CHAIN LOOPER COMPONENTS (1)



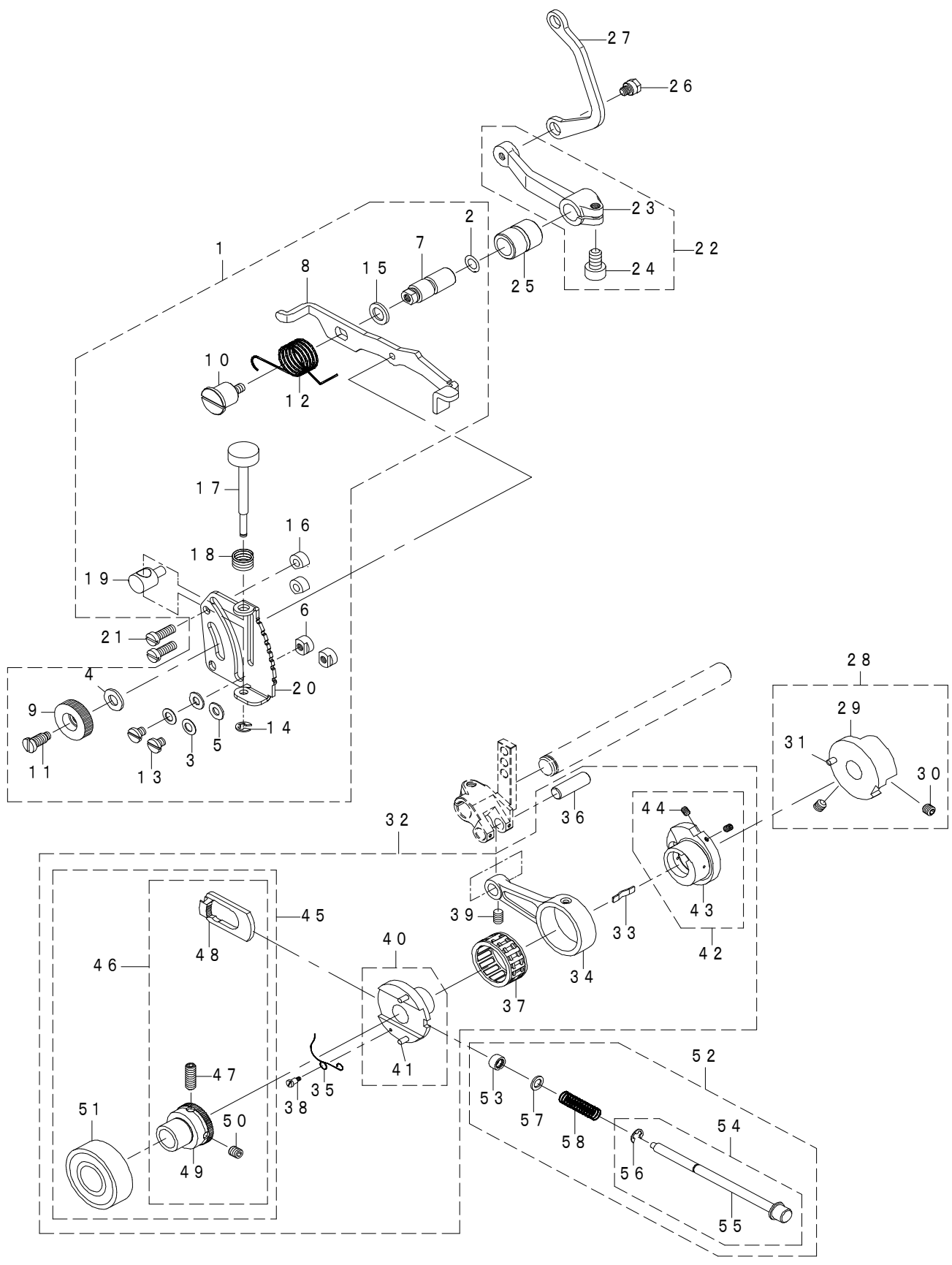
| REF.NO | NOTE | PART NO | DESCRIPTION | Qty |
|--------|------|-----------|-----------------------|-----|
| 1 | | 700-00479 | CONNECTING ROD COMB. | 1 |
| 2 | | 700-00139 | O-RING | (1) |
| 3 | | 700-00317 | BUSHING | (1) |
| 4 | | 700-00346 | GASKET | (1) |
| 5 | | 700-00357 | WASHER | (1) |
| 6 | | 700-00463 | ADJUSTING SEAT | (1) |
| 7 | | 700-00464 | ADJUSTING SEAT | (1) |
| 8 | | 700-00467 | SHAFT | (1) |
| 9 | | 700-00478 | CONNECTING ROD | (1) |
| 10 | | 700-00514 | E_SCREW | (1) |
| 11 | | 700-00561 | E_SCREW | (1) |
| 12 | | 700-00616 | WASHER | (1) |
| 13 | | 700-00697 | BEARING | (1) |
| 14 | | 700-00703 | ECCENTRIC | (1) |
| 15 | | 700-00465 | SLIDE BLOCK GUIDE | 1 |
| 16 | | 700-00461 | SHAFT | (1) |
| 17 | | 700-00466 | SLIDE BLOCK GUIDE | (1) |
| 18 | | 700-00462 | SLIDE BLOCK GUIDE | (1) |
| 19 | | 700-00590 | M_SCREW | (1) |
| 20 | | 700-00475 | LOOPER COMB. | 1 |
| 21 | | 700-00476 | LOOPER HOLDER | (1) |
| 22 | | 700-00351 | WASHER | (1) |
| 23 | | 700-00474 | LOOPER HOLDER | (1) |
| 24 | | 700-00380 | GASKET | (1) |
| 25 | | 700-00531 | E_SCREW | (1) |
| 26 | | 700-00473 | LOOPER | (1) |
| 27 | | 700-00508 | E_SCREW | (1) |
| 28 | | 700-00270 | OIL SEAL | 1 |
| 29 | | 700-00525 | SCREW | 1 |
| 30 | | 700-00471 | LOOPER CONNECTING ROD | 1 |
| 31 | | 700-00470 | LOOPER CONNECTING ROD | (1) |
| 32 | | 700-00590 | M_SCREW | (1) |
| 33 | | 700-00477 | BUSHING | 1 |
| 34 | | 700-00410 | BUSHING | 1 |
| 35 | | 700-00472 | CONNECTING ROD | 1 |
| 36 | | 700-00317 | BUSHING | 1 |
| 37 | | 700-00346 | GASKET | 1 |
| 38 | | 700-00514 | E_SCREW | 1 |

10. CHAIN LOOPER COMPONENTS (2)



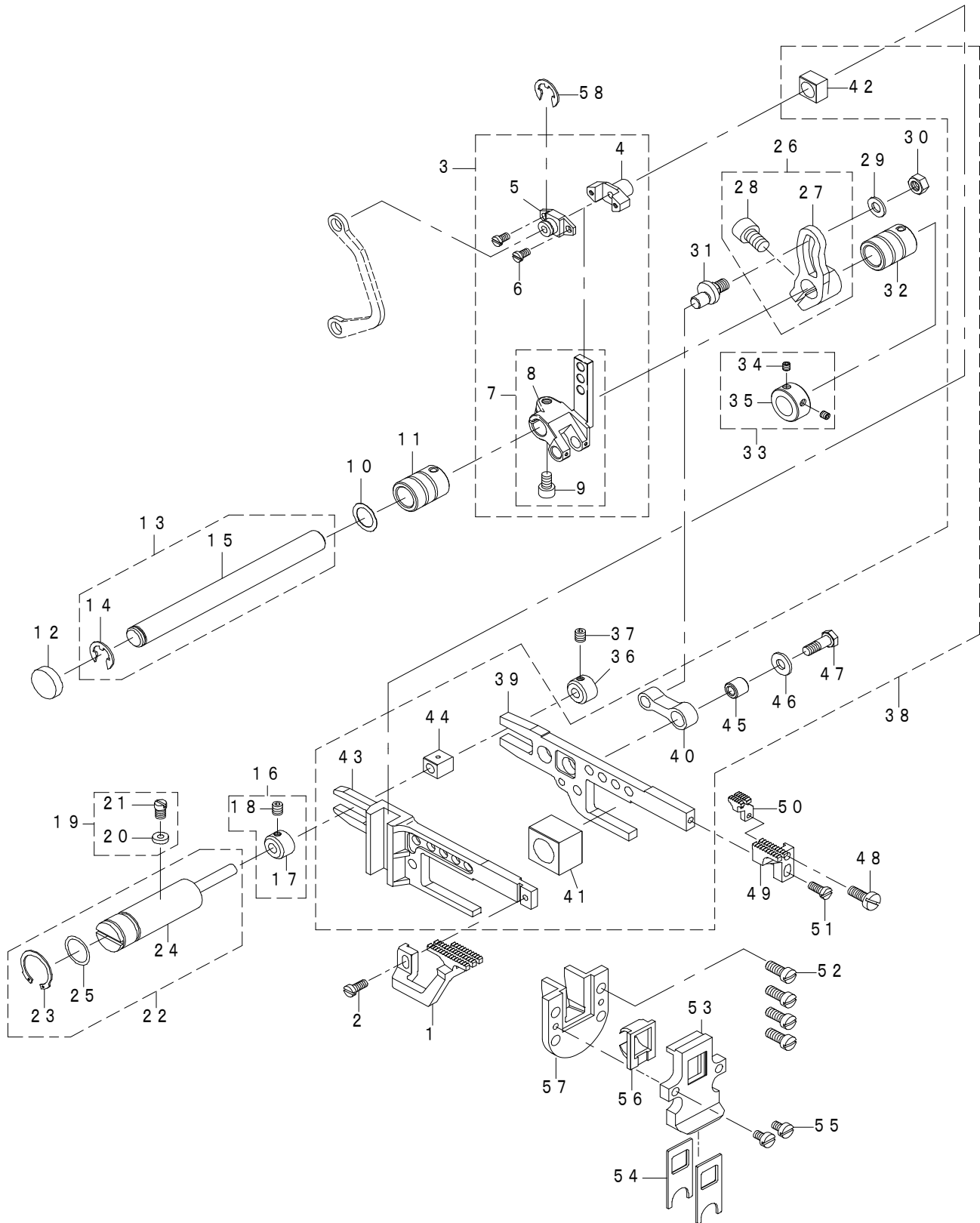
| REF.NO | NOTE | PART NO | DESCRIPTION | Qty |
|--------|------|-----------|-----------------------|-----|
| 1 | | 700-00397 | DUCT COMB. | 1 |
| 2 | | 700-00172 | PLUG | (2) |
| 3 | | 700-00396 | DUCT | (1) |
| 4 | | 700-00398 | FIXED PLATE | 2 |
| 5 | | 700-00359 | WASHER | 2 |
| 6 | | 700-00387 | THREAD GUIDE PLATE | 1 |
| 7 | | 700-00519 | E_SCREW | 1 |
| 8 | | 700-00576 | M_SCREW | 1 |
| 9 | | 700-00384 | THREAD CROSSING | 1 |
| 10 | | 700-00513 | E_SCREW | 1 |
| 11 | | 700-00391 | THREAD TAKE-UP DEVICE | 1 |
| 12 | | 700-00392 | THREAD GRIP | (2) |
| 13 | | 700-00393 | THREAD TENSION KNOB | (1) |
| 14 | | 700-00394 | SPRING | (1) |
| 15 | | 700-00395 | THREAD TENSION SHAFT | (1) |
| 16 | | 700-00388 | BRACKET | (1) |
| 17 | | 700-00389 | THREAD GUIDE PLATE | (1) |
| 18 | | 700-00390 | THREAD GUIDE PLATE | (1) |
| 19 | | 700-00571 | M_SCREW | (2) |
| 20 | | 700-00452 | NUT | (1) |
| 21 | | 700-00557 | E_SCREW | 1 |
| 22 | | 700-00383 | THREAD GUIDE PLATE | 1 |
| 23 | | 700-00448 | SPRING PLATE | 1 |
| 24 | | 700-00386 | THREAD TENSION CAM | 1 |
| 25 | | 700-00385 | THREAD TENSION CAM | (1) |
| 26 | | 700-00498 | E_SCREW | (2) |

11. FEED MECHANISM COMPONENTS (1)



| REF.NO | NOTE | PART NO | DESCRIPTION | Qty |
|--------|------|-----------|----------------------------------|-----|
| 1 | | 401-59707 | FEED DOG SEAT COMB. | 1 |
| 2 | | 700-00140 | O-RING | (1) |
| 3 | | 700-00344 | GASKET | (2) |
| 4 | | 700-00345 | WASHER | (1) |
| 5 | | 700-00349 | WASHER | (2) |
| 6 | | 700-00372 | FIXED BLOCK | (2) |
| 7 | | 700-00373 | ADJUSTING SEAT | (1) |
| 8 | | 700-00379 | ADJUSTING PLATE | (1) |
| 9 | | 700-00450 | NUT | (1) |
| 10 | | 700-00495 | SCREW | (1) |
| 11 | | 700-00542 | E_SCREW | (1) |
| 12 | | 700-00601 | SPRING | (1) |
| 13 | | 700-00512 | E_SCREW | (2) |
| 14 | | 700-00131 | E_CIRCLIPS | (1) |
| 15 | | 700-00353 | WASHER | (1) |
| 16 | | 401-59702 | SPACER | (2) |
| 17 | | 401-59703 | ADJUSTING SCREW | (1) |
| 18 | | 401-59704 | SPRING | (1) |
| 19 | | 401-59705 | BLOCK | (1) |
| 20 | | 401-59706 | FEED DOG SEAT | (1) |
| 21 | | 700-00523 | E_SCREW | 2 |
| 22 | | 700-00370 | DIFFERENTIAL CONNECTING ROD ASM. | 1 |
| 23 | | 700-00369 | DIFFERENTIAL CONNECTING ROD | (1) |
| 24 | | 700-00590 | M_SCREW | (1) |
| 25 | | 401-59700 | BUSHING | 1 |
| 26 | | 700-00552 | E_SCREW | 1 |
| 27 | | 401-59701 | CONNECTING ROD | 1 |
| 28 | | 700-00276 | ADJUSTING WHEEL | 1 |
| 29 | | 700-00275 | ADJUSTING WHEEL | (1) |
| 30 | | 700-00582 | M_SCREW | (2) |
| 31 | | 700-00666 | PIN | (1) |
| 32 | | 401-59709 | CONNECTING ROD COMB. | 1 |
| 33 | | 700-00162 | SPRING PLATE | (1) |
| 34 | | 700-00277 | CONNECTING ROD | (1) |
| 35 | | 700-00602 | SPRING | (1) |
| 36 | | 700-00662 | PIN | (1) |
| 37 | | 700-00698 | BEARING | (1) |
| 38 | | 401-59629 | M_SCREW | (1) |
| 39 | | 700-00503 | E_SCREW | (1) |
| 40 | | 700-00282 | ECCENTRIC | (1) |
| 41 | | 700-00665 | PIN | (2) |
| 42 | | 700-00289 | ECCENTRIC | (1) |
| 43 | | 700-00288 | ECCENTRIC | (1) |
| 44 | | 700-00502 | E_SCREW | (2) |
| 45 | | 700-00741 | ADJUSTING WHEEL COMB. | (1) |
| 46 | | 700-00740 | ADJUSTING WHEEL | (1) |
| 47 | | 700-00583 | M_SCREW | (1) |
| 48 | | 700-00738 | SLIDE BLOCK | (1) |
| 49 | | 700-00739 | ADJUSTING WHEEL | (1) |
| 50 | | 700-00582 | M_SCREW | (1) |
| 51 | | 700-00694 | BEARING | (1) |
| 52 | | 700-00284 | SHAFT COMB. | 1 |
| 53 | | 700-00137 | O-RING | (1) |
| 54 | | 700-00286 | SHAFT | (1) |
| 55 | | 700-00283 | SHAFT | (1) |
| 56 | | 700-00131 | E_CIRCLIPS | (1) |
| 57 | | 700-00358 | WASHER | (1) |
| 58 | | 700-00600 | SPRING | (1) |

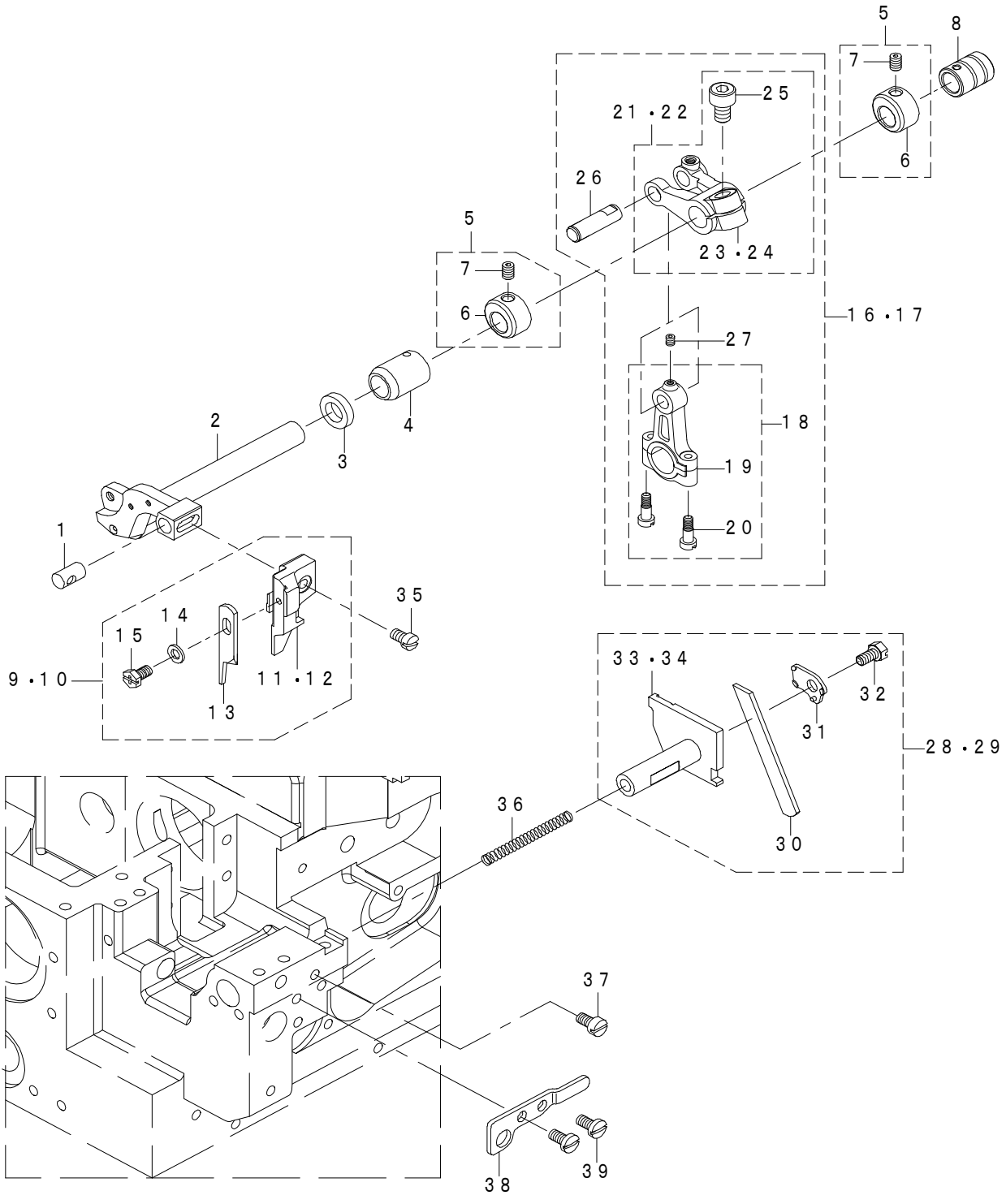
12. FEED MECHANISM COMPONENTS (2)



| REF.NO | NOTE | PART NO | DESCRIPTION | Qty |
|--------|------|-----------|-------------------------------------|-----|
| 1 | #01 | ***** | FEED DOG | 1 |
| 2 | | 700-00509 | E_SCREW | 1 |
| 3 | | 700-00683 | CRANK COMB. | 1 |
| 4 | | 700-00374 | ROCKING SEAT | (1) |
| 5 | | 700-00375 | ROCKING SEAT | (1) |
| 6 | | 700-00558 | E_SCREW | (2) |
| 7 | | 700-00684 | CRANK | (1) |
| 8 | | 700-00681 | CRANK | (1) |
| 9 | | 700-00590 | M_SCREW | (1) |
| 10 | | 700-00361 | WASHER | 1 |
| 11 | | 700-00280 | BUSHING | 1 |
| 12 | | 700-00446 | OIL SEAL | 1 |
| 13 | | 401-59717 | ECCENTRIC SHAFT COMB. | 1 |
| 14 | | 700-00133 | E_CIRCLIPS | (1) |
| 15 | | 401-59716 | ECCENTRIC SHAFT | (1) |
| 16 | | 700-00435 | COLLAR | 1 |
| 17 | | 700-00433 | COLLAR | (1) |
| 18 | | 700-00522 | E_SCREW | (1) |
| 19 | | 700-00147 | OIL SEAL COMB. | 1 |
| 20 | | 700-00138 | OIL SEAL | (1) |
| 21 | | 700-00548 | E_SCREW | (1) |
| 22 | | 700-00734 | ECCENTRIC SHAFT | 1 |
| 23 | | 700-00135 | E_CIRCLIPS | (1) |
| 24 | | 700-00733 | ECCENTRIC SHAFT | (1) |
| 25 | | 700-00141 | O-RING | (1) |
| 26 | | 700-00685 | CRANK | 1 |
| 27 | | 700-00682 | CRANK | (1) |
| 28 | | 700-00590 | M_SCREW | (1) |
| 29 | | 700-00356 | WASHER | 1 |
| 30 | | 700-00458 | NUT | 1 |
| 31 | | 700-00688 | ADJUSTING SHAFT | 1 |
| 32 | | 700-00410 | BUSHING | 1 |
| 33 | | 401-59676 | COLLAR | 1 |
| 34 | | 700-00522 | E_SCREW | (2) |
| 35 | | 401-59715 | COLLAR | (1) |
| 36 | | 700-00433 | COLLAR | 1 |
| 37 | | 700-00522 | E_SCREW | 1 |
| 38 | | 700-00731 | FEED DOG SEAT COMB. | 1 |
| 39 | | 700-00422 | FEED DOG SEAT | (1) |
| 40 | | 700-00423 | CONNECTING ROD | (1) |
| 41 | | 700-00429 | SLIDE BLOCK | (1) |
| 42 | | 700-00686 | SLIDE BLOCK | (1) |
| 43 | | 700-00689 | FEED DOG SEAT | (1) |
| 44 | | 700-00732 | SLIDE BLOCK | (1) |
| 45 | | 700-00317 | BUSHING | (1) |
| 46 | | 700-00346 | GASKET | (1) |
| 47 | | 700-00514 | E_SCREW | (1) |
| 48 | | 700-00572 | M_SCREW | 1 |
| 49 | #01 | ***** | FEED DOG | 1 |
| 50 | #01 | ***** | FEED DOG | 1 |
| 51 | | 700-00509 | E_SCREW | 1 |
| 52 | | 700-00530 | E_SCREW | 4 |
| 53 | | 700-00151 | OIL SCRAPER HOLDER | 1 |
| 54 | | 700-00152 | OIL SEAL | 2 |
| 55 | | 700-00508 | E_SCREW | 2 |
| 56 | | 401-59718 | OIL SEAL | 1 |
| 57 | | 401-59719 | SLIDE BLOCK | 1 |
| 58 | | 700-00132 | E_CIRCLIPS | 1 |
| | | NOTE | #01....REFER "MO-6800S GAUGE TABLE" | |

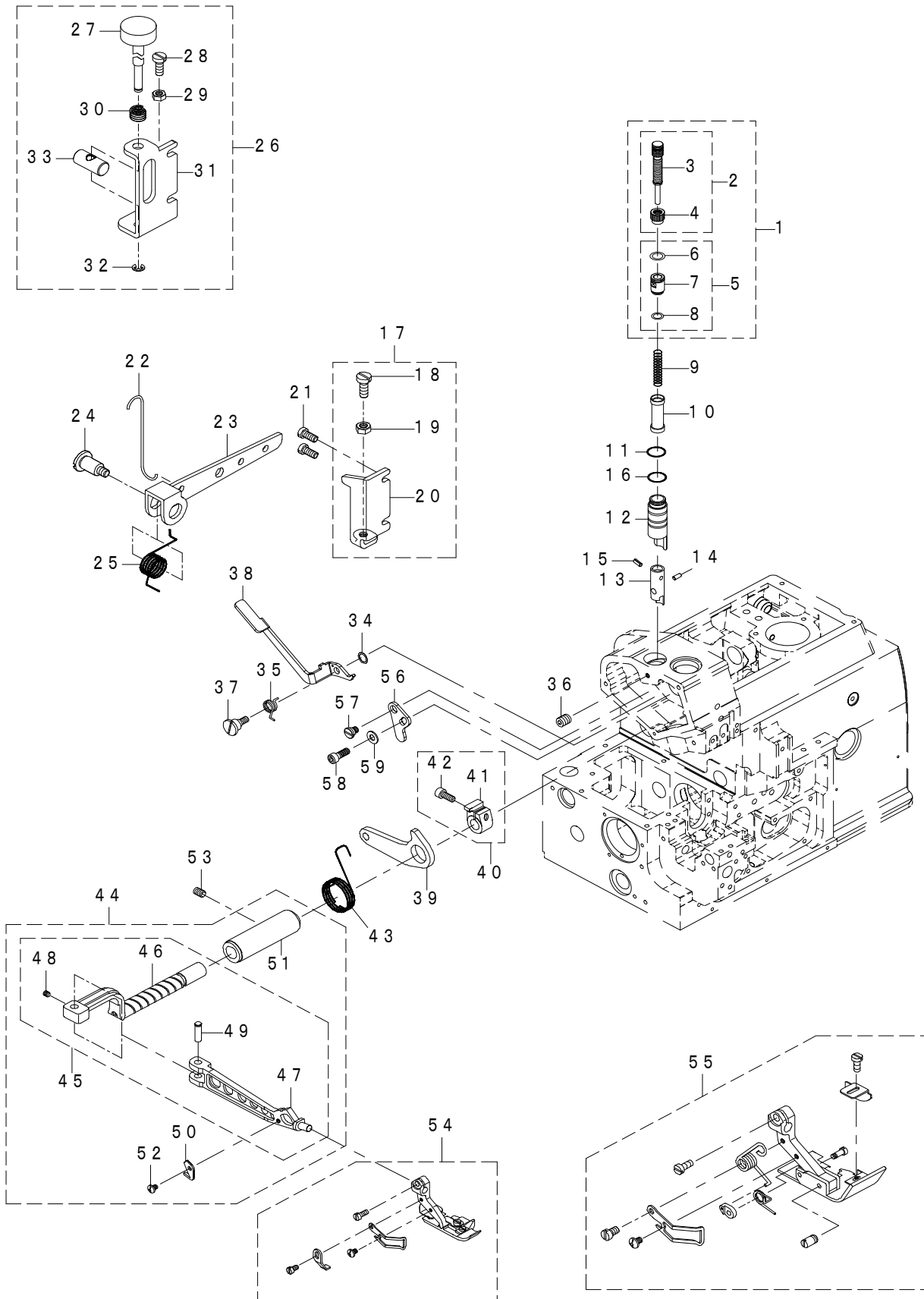
13. KNIFE COMPONENTS

| MODEL | 04 S / 14 S | 16 S / 43 S |
|----------|-------------|-------------|
| PARTS NO | 23 | 24 |
| | 21 | 22 |
| | 16 | 17 |
| | 11 | 12 |
| | 9 | 10 |
| | 33 | 34 |
| | 28 | 29 |



| REF.NO | NOTE | PART NO | DESCRIPTION | Qty |
|--------|------|-----------|--|-----|
| 1 | | 700-00230 | SHAFT | 1 |
| 2 | | 700-00235 | SWING AXLE | 1 |
| 3 | | 700-00269 | OIL SEAL | 1 |
| 4 | | 700-00237 | BUSHING | 1 |
| 5 | | 700-00436 | COLLAR | 2 |
| 6 | | 700-00434 | COLLAR | (2) |
| 7 | | 700-00522 | E_SCREW | (2) |
| 8 | | 700-00236 | BUSHING | 1 |
| 9 | #01 | 401-78003 | KNIFE SEAT COMB. | 1 |
| 10 | #02 | 401-59734 | KNIFE SEAT COMB | 1 |
| 11 | #01 | 401-72528 | KNIFE SEAT | (1) |
| 12 | #02 | 401-72529 | KNIFE SEAT | (1) |
| 13 | | 700-00229 | KNIFE | (1) |
| 14 | | 700-00347 | GASKET | (1) |
| 15 | | 700-00510 | E_SCREW | (1) |
| 16 | #01 | 401-59729 | CONNECTING ROD | 1 |
| 17 | #02 | 401-59732 | CONNECTING ROD | 1 |
| 18 | | 401-59728 | CONNECTING ROD | (1) |
| 19 | | 401-59727 | CONNECTING ROD | (1) |
| 20 | | 700-00578 | M_SCREW | (2) |
| 21 | #01 | 700-00721 | ROCKING BAR | (1) |
| 22 | #02 | 700-00842 | ROCKING BAR COMB. | (1) |
| 23 | #01 | 700-00720 | ROCKING BAR | (1) |
| 24 | #02 | 700-00841 | ROCKING BAR | (1) |
| 25 | | 700-00590 | M_SCREW | (1) |
| 26 | | 401-59726 | PIN | (1) |
| 27 | | 700-00522 | E_SCREW | (1) |
| 28 | #01 | 700-00402 | KNIFE SEAT COMB. | 1 |
| 29 | #02 | 700-00845 | KNIFE SEAT COMB. | 1 |
| 30 | | 700-00399 | KNIFE | (1) |
| 31 | | 700-00400 | FIXED PLATE | (1) |
| 32 | | 700-00517 | E_SCREW | (1) |
| 33 | #01 | 700-00403 | KNIFE SEAT | (1) |
| 34 | #02 | 700-00813 | KNIFE SEAT | (1) |
| 35 | | 700-00521 | E_SCREW | 1 |
| 36 | | 700-00603 | SPRING | 1 |
| 37 | | 700-00524 | E_SCREW | 1 |
| 38 | | 700-00401 | FIXED PLATE | 1 |
| 39 | | 700-00515 | E_SCREW | 2 |
| | NOTE | | #01....FOR 04S,14S #02....FOR 16S,43S | |

14. PRESSER FOOT COMPONENTS

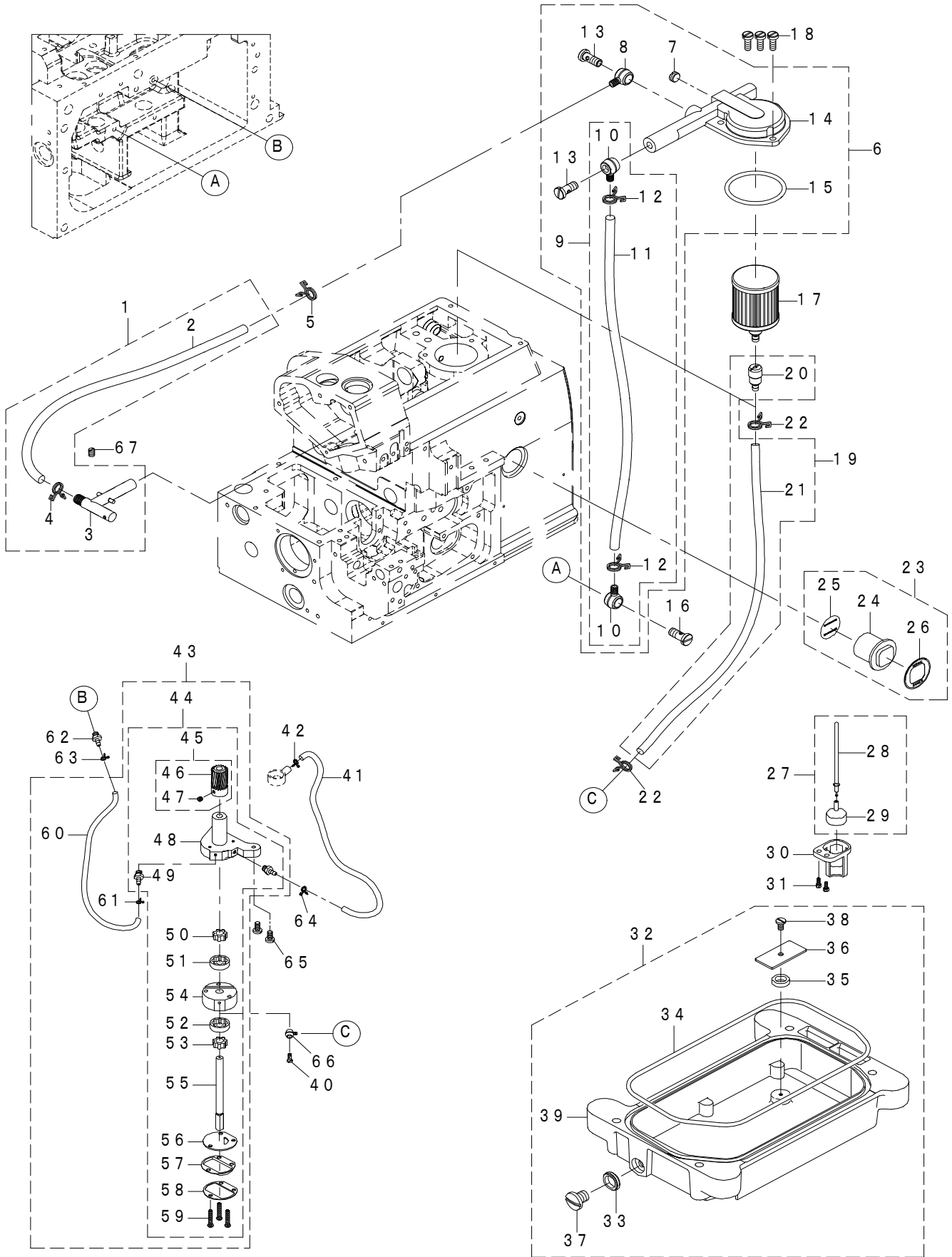


| REF.NO | NOTE | PART NO | DESCRIPTION | Qty |
|--------|------|-----------|----------------------------|-----|
| 1 | | 401-59745 | SCREW ROD COMB. | 1 |
| 2 | | 401-59746 | SCREW ROD COMB. | (1) |
| 3 | | 401-59741 | SCREW ROD | (1) |
| 4 | | 401-59742 | NUT | (1) |
| 5 | | 401-59744 | FIXED BUTTON | (1) |
| 6 | | 700-00141 | O-RING | (1) |
| 7 | | 401-59743 | FIXED BUTTON | (1) |
| 8 | | 700-00142 | O-RING | (1) |
| 9 | | 700-00608 | SPRING | 1 |
| 10 | | 401-59753 | THIMBLE | 1 |
| 11 | | 700-00142 | O-RING | 1 |
| 12 | | 401-70670 | PRESSER FOOT ARM | 1 |
| 13 | | 700-00309 | SLIDER | 1 |
| 14 | | 700-00664 | SHAFT | 1 |
| 15 | | 700-00669 | PIN | 1 |
| 16 | | 700-00141 | O-RING | 1 |
| 17 | | 700-00293 | SUPPORTER | 1 |
| 18 | | 700-00584 | M_SCREW | (1) |
| 19 | | 700-00458 | NUT | (1) |
| 20 | | 700-00292 | STOPPER | (1) |
| 21 | | 700-00515 | E_SCREW | 2 |
| 22 | | 700-00294 | HOOK BAR | 1 |
| 23 | | 700-00295 | PRESSER FOOT ARM | 1 |
| 24 | | 700-00592 | M_SCREW | 1 |
| 25 | | 700-00604 | SPRING | 1 |
| 26 | #01 | 401-59749 | SUPPORTER | 1 |
| 27 | | 401-59703 | ADJUSTING SCREW | (1) |
| 28 | | 700-00584 | M_SCREW | (1) |
| 29 | | 700-00458 | NUT | (1) |
| 30 | | 401-59704 | SPRING | (1) |
| 31 | | 401-59748 | STOPPER | (1) |
| 32 | | 700-00131 | E_CIRCLIPS | (1) |
| 33 | | 401-59750 | BLOCK | (1) |
| 34 | | 700-00355 | WASHER | 1 |
| 35 | | 401-59754 | SPRING | 1 |
| 36 | | 700-00522 | E_SCREW | 1 |
| 37 | | 700-00528 | E_SCREW | 1 |
| 38 | | 401-59752 | LEVER | 1 |
| 39 | | 700-00291 | DRAG LINK | 1 |
| 40 | | 700-00302 | COLLAR | 1 |
| 41 | | 700-00301 | COLLAR | (1) |
| 42 | | 401-59751 | M_SCREW | (1) |
| 43 | | 700-00605 | SPRING | 1 |
| 44 | | 401-78006 | PRESSER FOOT SEAT COMB. | 1 |
| 45 | | 401-78007 | PRESSER BAR COMB. | (1) |
| 46 | | 401-72530 | PRESSER FOOT LIFTING LEVER | (1) |
| 47 | | 700-00297 | PRESSER FOOT ARM | (1) |
| 48 | | 700-00566 | M_SCREW | (1) |
| 49 | | 700-00673 | SHAFT | (1) |
| 50 | | 700-00176 | KNIFE | (1) |
| 51 | | 700-00303 | BUSHING | (1) |
| 52 | | 700-00538 | E_SCREW | (1) |
| 53 | | 700-00522 | E_SCREW | 1 |
| 54 | #02 | ***** | PRESSER FOOT | 1 |
| 55 | #02 | ***** | PRESSER FOOT | 1 |
| 56 | | 401-72531 | PRESSER ARM STOPPER | 1 |
| 57 | | 401-78005 | E_SCREW | 1 |
| 58 | | 700-00561 | E_SCREW | 1 |
| 59 | | 700-00349 | WASHER | 1 |

NOTE

#01....OPTIONAL PARTS
#02....REFER "MO-6800S GAUGE TABLE"

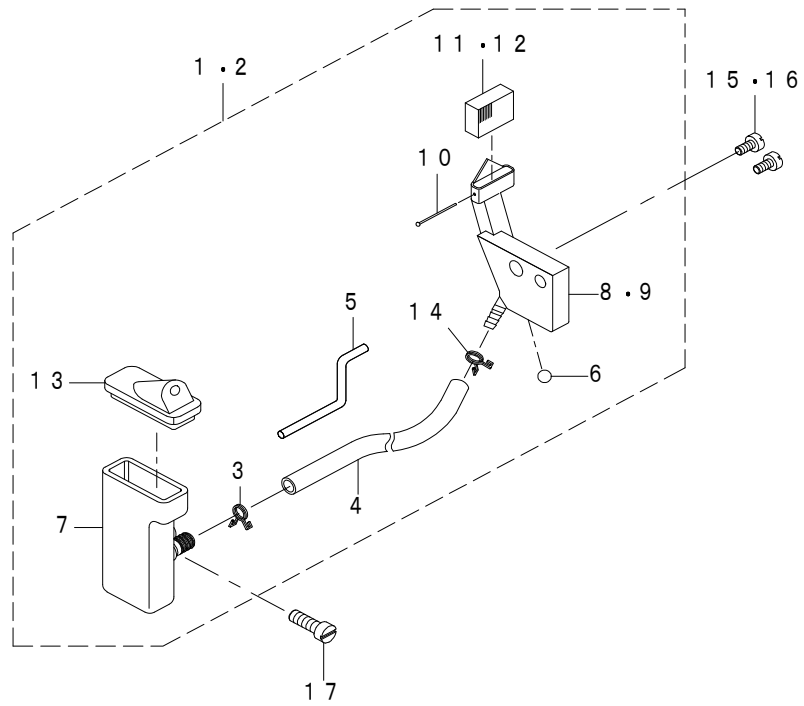
15. LUBRICATION MECHANISM COMPONENTS



| REF.NO | NOTE | PART NO | DESCRIPTION | Qty |
|--------|------|-----------|---------------------------------|-----|
| 1 | | 402-35227 | OIL_TUBE_GROUP | 1 |
| 2 | | 402-35229 | HOSE | (1) |
| 3 | | 700-00631 | OIL TUBE | (1) |
| 4 | | 700-00658 | SPRING CLAMP | (1) |
| 5 | | 700-00658 | SPRING CLAMP | 1 |
| 6 | | 402-35230 | OIL_FILTER_ASM. | 1 |
| 7 | | 402-35232 | M_SCREW | (1) |
| 8 | | 401-59760 | JOINT | (1) |
| 9 | | 402-35233 | OIL_TUBE_GROUP | (1) |
| 10 | | 700-00323 | JOINT | (2) |
| 11 | | 402-35234 | HOSE | (1) |
| 12 | | 700-00658 | SPRING CLAMP | (2) |
| 13 | | 700-00532 | E_SCREW | (2) |
| 14 | | 402-35231 | OIL_FILTER | (1) |
| 15 | | 700-00144 | OIL_FILTER | (1) |
| 16 | | 700-00532 | E_SCREW | 1 |
| 17 | | 700-00312 | OIL FILTER | 1 |
| 18 | | 700-00520 | E_SCREW | 3 |
| 19 | | 700-00328 | OIL TUBE COMB. | 1 |
| 20 | | 700-00428 | JOINT | (1) |
| 21 | | 700-00326 | HOSE | (1) |
| 22 | | 700-00658 | SPRING CLAMP | 2 |
| 23 | | 401-59762 | OIL LEVEL INSPECTION LENS COMB. | 1 |
| 24 | | 700-00157 | OIL LEVEL INSPECTION LENS | (1) |
| 25 | | 700-00158 | NAME PLATE | (1) |
| 26 | | 401-59761 | NAME PLATE | (1) |
| 27 | | 700-00160 | OIL INDICATOR ROD COMB. | 1 |
| 28 | | 700-00159 | OIL INDICATOR ROD | (1) |
| 29 | | 700-00261 | OIL INDICATOR | (1) |
| 30 | | 700-00262 | BAFFLE | 1 |
| 31 | | 700-00521 | E_SCREW | 2 |
| 32 | | 401-59764 | OIL RESERVOIR COMB. | 1 |
| 33 | | 700-00146 | OIL SEAL | (1) |
| 34 | | 700-00273 | O-RING | (1) |
| 35 | | 700-00381 | MAGNET | (1) |
| 36 | | 700-00382 | BAFFLE | (1) |
| 37 | | 700-00533 | E_SCREW | (1) |
| 38 | | 700-00518 | E_SCREW | (1) |
| 39 | | 401-59763 | OIL RESERVOIR COMB. | (1) |
| 40 | | 700-00532 | E_SCREW | 1 |
| 41 | | 700-00318 | HOSE | 1 |
| 42 | | 700-00657 | SPRING CLAMP | 1 |
| 43 | | 700-00716 | PUMP COMB. | 1 |
| 44 | | 700-00715 | PUMP COMB. | (1) |
| 45 | | 700-00260 | GEAR | (1) |
| 46 | | 700-00258 | WORM WHEEL | (1) |
| 47 | | 700-00582 | M_SCREW | (1) |
| 48 | | 700-00713 | PUMP BODY | (1) |
| 49 | | 700-00322 | JOINT | (2) |
| 50 | | 401-59765 | GEAR | (1) |
| 51 | | 700-00148 | GEAR | (1) |
| 52 | | 700-00148 | GEAR | (1) |
| 53 | | 401-59765 | GEAR | (1) |
| 54 | | 700-00714 | PUMP BODY | (1) |
| 55 | | 700-00712 | SHAFT | (1) |
| 56 | | 700-00717 | PUMP COVER | (1) |
| 57 | | 700-00710 | FILTER NET | (1) |
| 58 | | 700-00711 | GASKET | (1) |
| 59 | | 700-00575 | M_SCREW | (3) |
| 60 | | 700-00324 | HOSE | (1) |
| 61 | | 700-00657 | SPRING CLAMP | (1) |
| 62 | | 700-00322 | JOINT | 1 |
| 63 | | 700-00657 | SPRING CLAMP | 1 |
| 64 | | 700-00657 | SPRING CLAMP | 1 |
| 65 | | 700-00527 | E_SCREW | 2 |
| 66 | | 700-00323 | JOINT | 1 |
| 67 | | 700-00522 | E_SCREW | 1 |

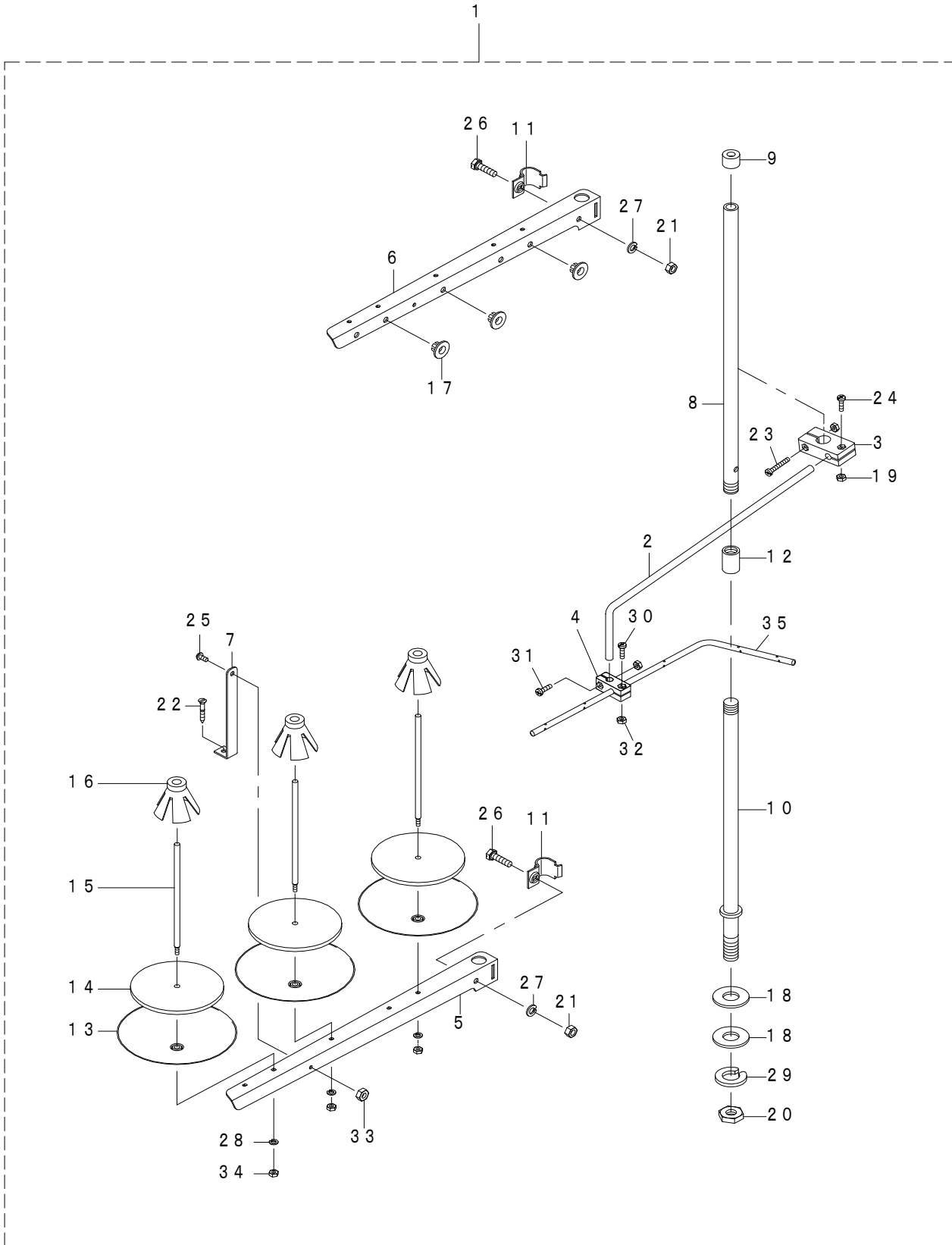
16. NEEDLE COOLER UNIT COMPONENTS

| MODEL | 0 4 S / 1 4 S | 1 6 S / 4 3 S |
|----------|---------------|---------------|
| PARTS NO | 1 1 | 1 2 |
| | 8 | 9 |
| | 1 | 2 |
| | 1 5 | 1 6 |



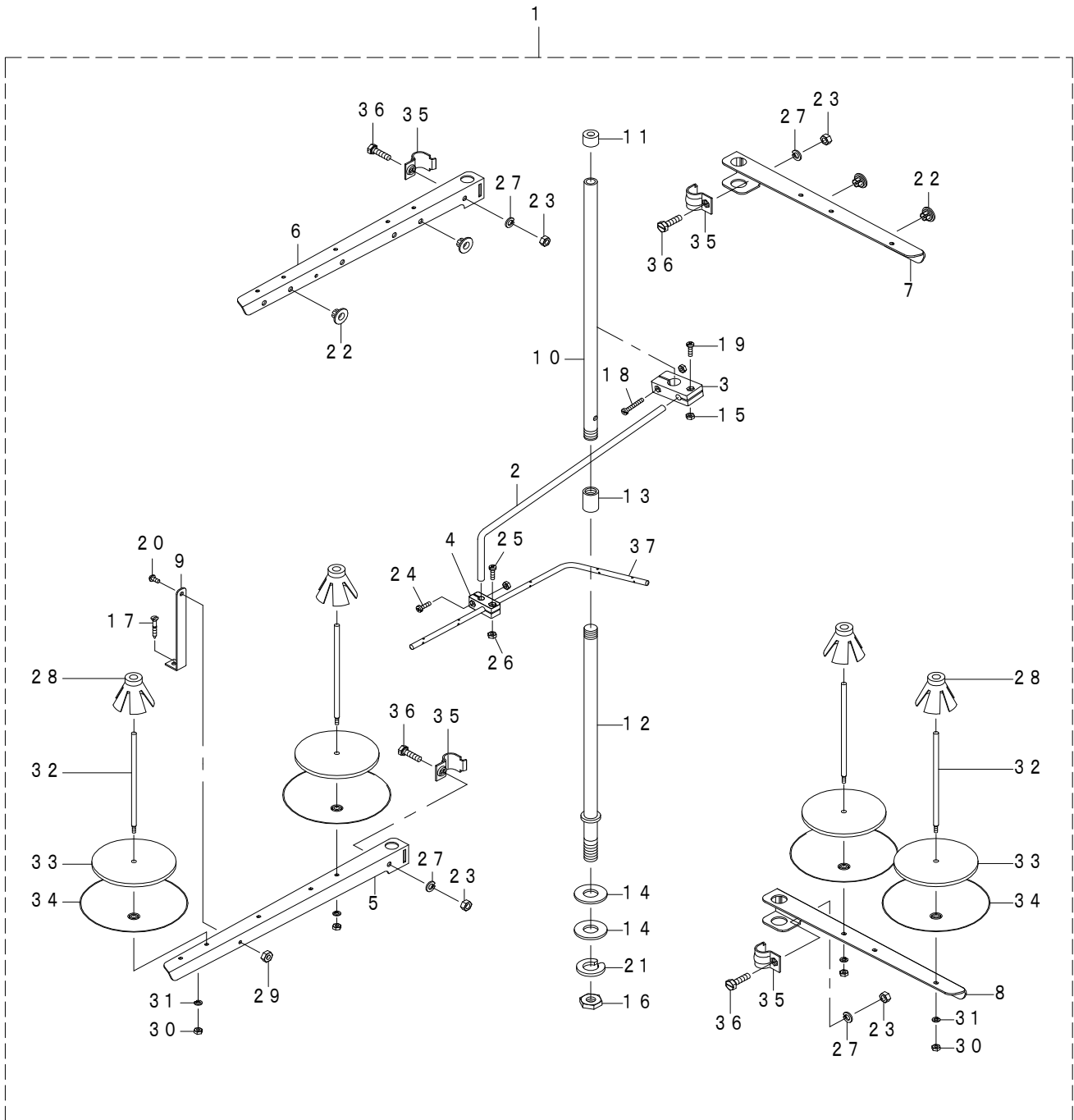
| REF.NO | NOTE | PART NO | DESCRIPTION | Qty |
|--------|------|-----------|---------------------|-----|
| 1 | #01 | 401-59772 | OILER | 1 |
| 2 | #02 | 401-59775 | OILER | 1 |
| 3 | | 700-00658 | SPRING CLAMP | (1) |
| 4 | | 401-59768 | HOSE | (1) |
| 5 | | 401-59769 | OIL WICK | (1) |
| 6 | | 401-59770 | BALL | (1) |
| 7 | | 401-59771 | OILER | (1) |
| 8 | #01 | 401-59776 | DIVIDING SEAT | (1) |
| 9 | #02 | 401-59774 | DIVIDING SEAT | (1) |
| 10 | | 401-59778 | NAIL | (1) |
| 11 | #01 | 401-59777 | OIL FELT | (1) |
| 12 | #02 | 401-59773 | OIL FELT | (1) |
| 13 | | 401-59779 | OILER COVER | (1) |
| 14 | | 700-00658 | SPRING CLAMP | (1) |
| 15 | #01 | 700-00526 | E_SCREW | 1 |
| 16 | #02 | 700-01060 | E_SCREW | 2 |
| 17 | | 402-35245 | E_SCREW | 1 |
| | | NOTE | #01.....FOR 04S,14S | |
| | | | #02.....FOR 16S,43S | |

17. THREAD STAND COMPONENTS (FOR MO-6804S)



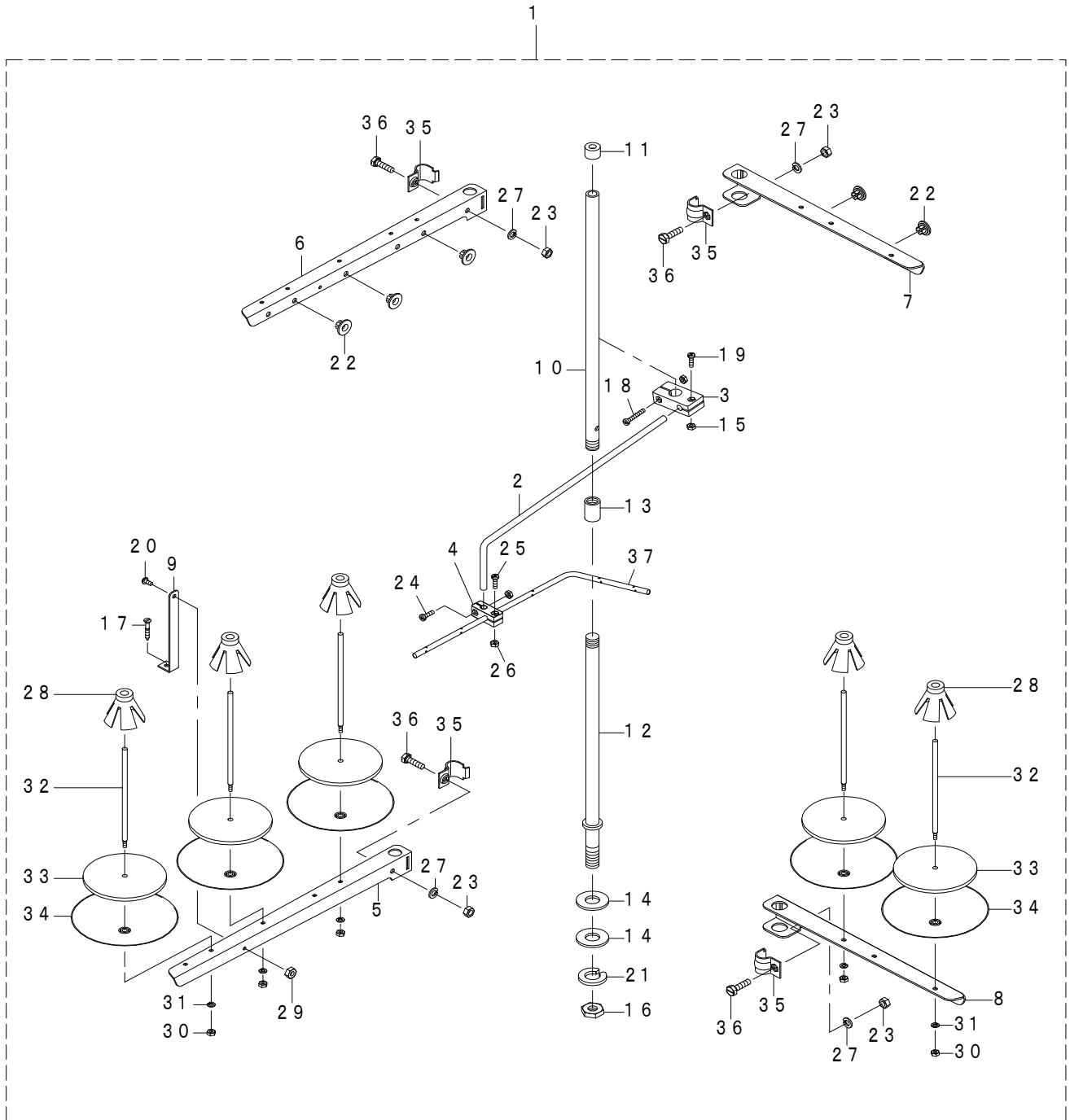
| REF.NO | NOTE | PART NO | DESCRIPTION | Qty |
|--------|------|-----------|-------------------------|-----|
| 1 | | 401-79483 | THREAD STAND COMB. | 1 |
| 2 | | 700-00179 | THREAD GUIDE BAR | (1) |
| 3 | | 700-00180 | FIXED SEAT | (1) |
| 4 | | 700-00181 | FIXED SEAT | (1) |
| 5 | | 700-00182 | THREAD GUIDE BAR | (1) |
| 6 | | 700-00183 | THREAD GUIDE BAR | (1) |
| 7 | | 700-00186 | SUPPORTER | (1) |
| 8 | | 700-00188 | THREAD STAND ROD | (1) |
| 9 | | 700-00189 | THREAD STAND COVER | (1) |
| 10 | | 700-00190 | THREAD STAND ROD | (1) |
| 11 | | 700-00191 | FIXED PLATE | (2) |
| 12 | | 700-00192 | CONNECTING LOOP | (1) |
| 13 | | 700-00215 | COILING SEAT | (3) |
| 14 | | 700-00216 | SPONGY CUSHION | (3) |
| 15 | | 700-00217 | CONNECTING LOOP | (3) |
| 16 | | 700-00218 | THREAD STEADY BALL SEAT | (3) |
| 17 | | 700-00219 | PLUG | (3) |
| 18 | | 700-00354 | WASHER | (2) |
| 19 | | 700-00454 | NUT | (2) |
| 20 | | 700-00455 | NUT | (1) |
| 21 | | 700-00456 | NUT | (2) |
| 22 | | 700-00547 | E_SCREW | (1) |
| 23 | | 700-00579 | M_SCREW | (1) |
| 24 | | 700-00580 | M_SCREW | (1) |
| 25 | | 700-00581 | M_SCREW | (1) |
| 26 | | 700-00589 | M_SCREW | (2) |
| 27 | | 700-00611 | WASHER | (2) |
| 28 | | 700-00615 | WASHER | (3) |
| 29 | | 700-00618 | WASHER | (1) |
| 30 | | 700-00580 | M_SCREW | (1) |
| 31 | | 700-00580 | M_SCREW | (1) |
| 32 | | 700-00454 | NUT | (2) |
| 33 | | 700-00454 | NUT | (1) |
| 34 | | 700-00454 | NUT | (3) |
| 35 | | 700-00178 | THREAD GUIDE PLATE | (1) |

18. THREAD STAND COMPONENTS (FOR MO-6814S)



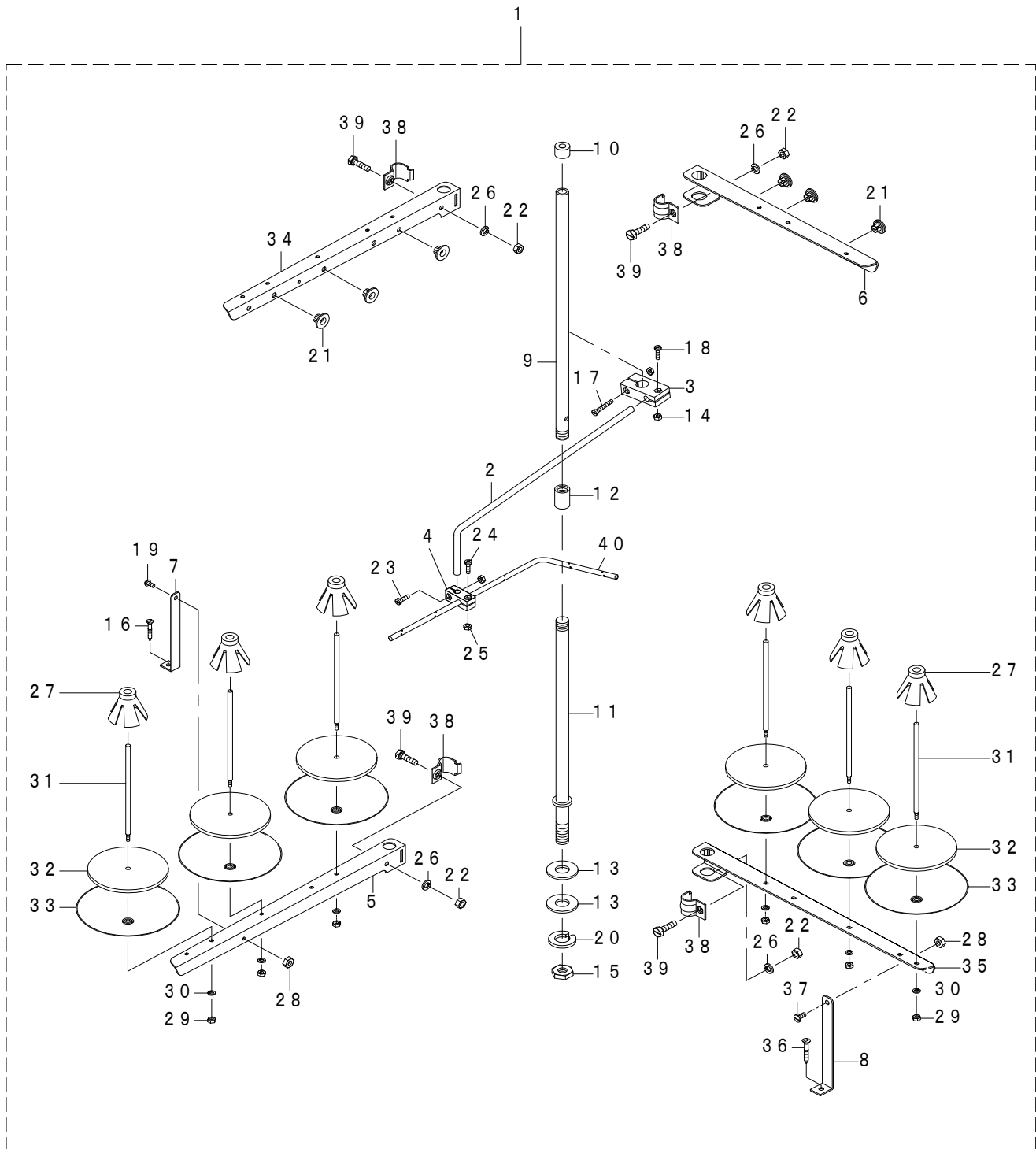
| REF.NO | NOTE | PART NO | DESCRIPTION | Qty |
|--------|------|-----------|-------------------------|-----|
| 1 | | 401-79484 | THREAD STAND COMB. | 1 |
| 2 | | 700-00179 | THREAD GUIDE BAR | (1) |
| 3 | | 700-00180 | FIXED SEAT | (1) |
| 4 | | 700-00181 | FIXED SEAT | (1) |
| 5 | | 700-00182 | THREAD GUIDE BAR | (1) |
| 6 | | 700-00183 | THREAD GUIDE BAR | (1) |
| 7 | | 700-00184 | THREAD GUIDE BAR | (1) |
| 8 | | 700-00185 | THREAD GUIDE BAR | (1) |
| 9 | | 700-00186 | SUPPORTER | (1) |
| 10 | | 700-00188 | THREAD STAND ROD | (1) |
| 11 | | 700-00189 | THREAD STAND COVER | (1) |
| 12 | | 700-00190 | THREAD STAND ROD | (1) |
| 13 | | 700-00192 | CONNECTING LOOP | (1) |
| 14 | | 700-00354 | WASHER | (2) |
| 15 | | 700-00454 | NUT | (2) |
| 16 | | 700-00455 | NUT | (1) |
| 17 | | 700-00547 | E_SCREW | (1) |
| 18 | | 700-00579 | M_SCREW | (1) |
| 19 | | 700-00580 | M_SCREW | (1) |
| 20 | | 700-00581 | M_SCREW | (1) |
| 21 | | 700-00618 | WASHER | (1) |
| 22 | | 700-00219 | PLUG | (4) |
| 23 | | 700-00456 | NUT | (4) |
| 24 | | 700-00580 | M_SCREW | (1) |
| 25 | | 700-00580 | M_SCREW | (1) |
| 26 | | 700-00454 | NUT | (2) |
| 27 | | 700-00611 | WASHER | (4) |
| 28 | | 700-00218 | THREAD STEADY BALL SEAT | (4) |
| 29 | | 700-00454 | NUT | (1) |
| 30 | | 700-00454 | NUT | (4) |
| 31 | | 700-00615 | WASHER | (4) |
| 32 | | 700-00217 | CONNECTING LOOP | (4) |
| 33 | | 700-00216 | SPONGY CUSHION | (4) |
| 34 | | 700-00215 | COILING SEAT | (4) |
| 35 | | 700-00191 | FIXED PLATE | (4) |
| 36 | | 700-00589 | M_SCREW | (4) |
| 37 | | 700-00178 | THREAD GUIDE PLATE | (1) |

19. THREAD STAND COMPONENTS (FOR MO-6816S)



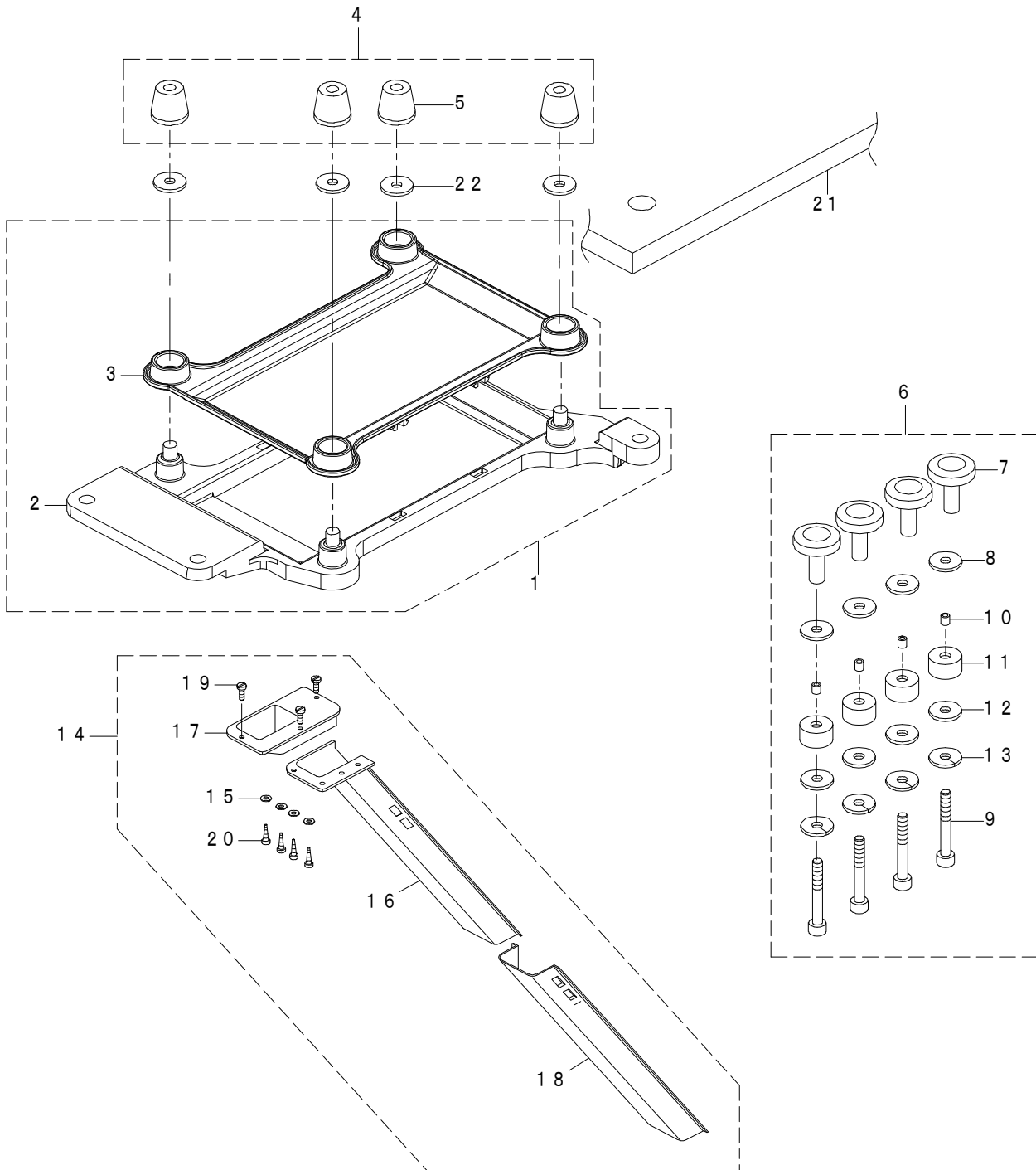
| REF.NO | NOTE | PART NO | DESCRIPTION | Qty |
|--------|------|-----------|-------------------------|-----|
| 1 | | 401-79485 | THREAD STAND COMB. | 1 |
| 2 | | 700-00179 | THREAD GUIDE BAR | (1) |
| 3 | | 700-00180 | FIXED SEAT | (1) |
| 4 | | 700-00181 | FIXED SEAT | (1) |
| 5 | | 700-00182 | THREAD GUIDE BAR | (1) |
| 6 | | 700-00183 | THREAD GUIDE BAR | (1) |
| 7 | | 700-00184 | THREAD GUIDE BAR | (1) |
| 8 | | 700-00185 | THREAD GUIDE BAR | (1) |
| 9 | | 700-00186 | SUPPORTER | (1) |
| 10 | | 700-00188 | THREAD STAND ROD | (1) |
| 11 | | 700-00189 | THREAD STAND COVER | (1) |
| 12 | | 700-00190 | THREAD STAND ROD | (1) |
| 13 | | 700-00192 | CONNECTING LOOP | (1) |
| 14 | | 700-00354 | WASHER | (2) |
| 15 | | 700-00454 | NUT | (2) |
| 16 | | 700-00455 | NUT | (1) |
| 17 | | 700-00547 | E_SCREW | (1) |
| 18 | | 700-00579 | M_SCREW | (1) |
| 19 | | 700-00580 | M_SCREW | (1) |
| 20 | | 700-00581 | M_SCREW | (1) |
| 21 | | 700-00618 | WASHER | (1) |
| 22 | | 700-00219 | PLUG | (5) |
| 23 | | 700-00456 | NUT | (4) |
| 24 | | 700-00580 | M_SCREW | (1) |
| 25 | | 700-00580 | M_SCREW | (1) |
| 26 | | 700-00454 | NUT | (2) |
| 27 | | 700-00611 | WASHER | (4) |
| 28 | | 700-00218 | THREAD STEADY BALL SEAT | (5) |
| 29 | | 700-00454 | NUT | (1) |
| 30 | | 700-00454 | NUT | (5) |
| 31 | | 700-00615 | WASHER | (5) |
| 32 | | 700-00217 | CONNECTING LOOP | (5) |
| 33 | | 700-00216 | SPONGY CUSHION | (5) |
| 34 | | 700-00215 | COILING SEAT | (5) |
| 35 | | 700-00191 | FIXED PLATE | (4) |
| 36 | | 700-00589 | M_SCREW | (4) |
| 37 | | 700-00177 | THREAD GUIDE BAR | (1) |

20. THREAD STAND COMPONENTS (FOR MO-6843S)



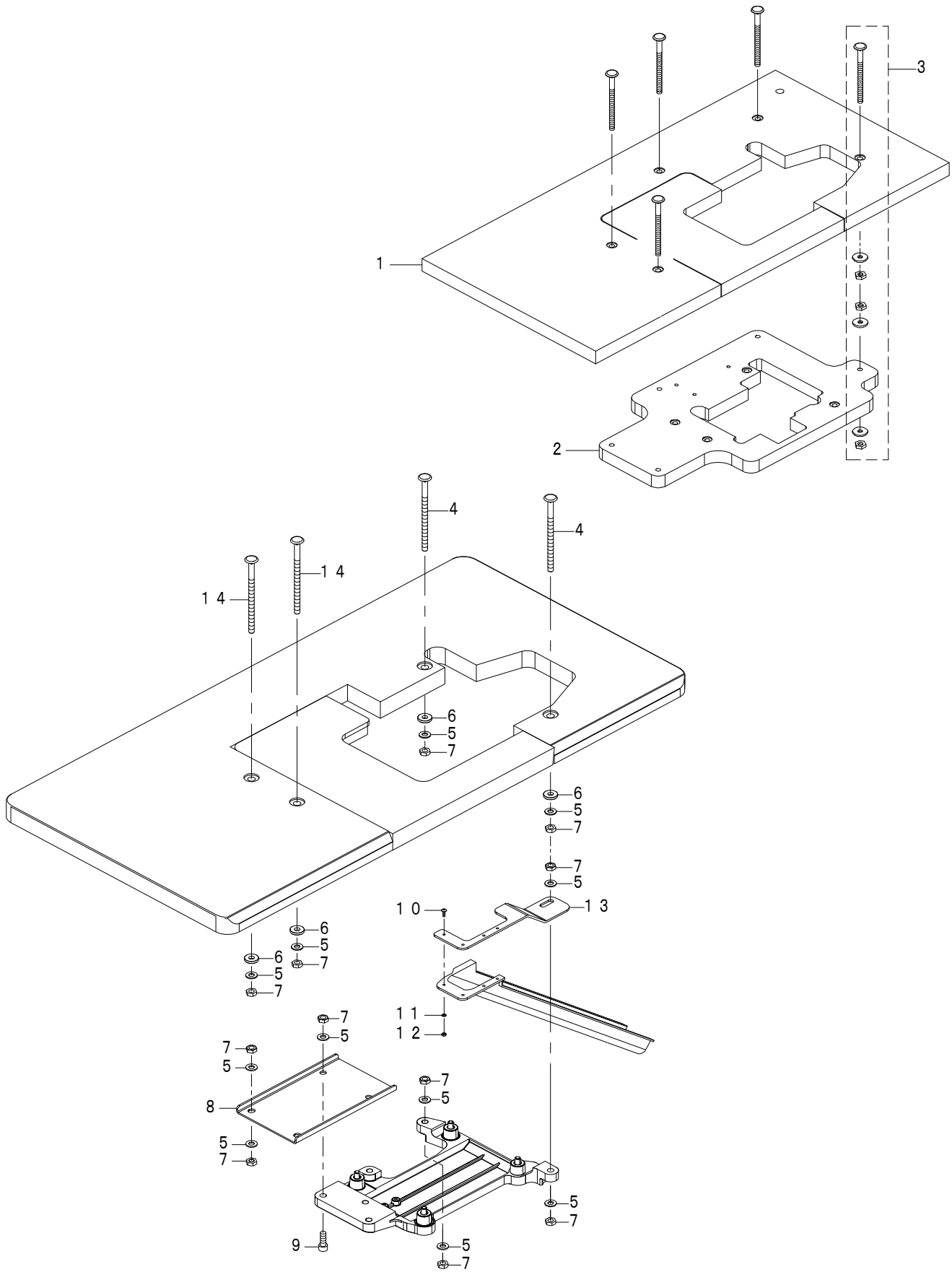
| REF.NO | NOTE | PART NO | DESCRIPTION | Qty |
|--------|------|-----------|-------------------------|-----|
| 1 | | 401-79486 | THREAD STAND COMB. | 1 |
| 2 | | 700-00179 | THREAD GUIDE BAR | (1) |
| 3 | | 700-00180 | FIXED SEAT | (1) |
| 4 | | 700-00181 | FIXED SEAT | (1) |
| 5 | | 700-00182 | THREAD GUIDE BAR | (1) |
| 6 | | 700-00183 | THREAD GUIDE BAR | (1) |
| 7 | | 700-00186 | SUPPORTER | (1) |
| 8 | | 700-00187 | SUPPORTER | (1) |
| 9 | | 700-00188 | THREAD STAND ROD | (1) |
| 10 | | 700-00189 | THREAD STAND COVER | (1) |
| 11 | | 700-00190 | THREAD STAND ROD | (1) |
| 12 | | 700-00192 | CONNECTING LOOP | (1) |
| 13 | | 700-00354 | WASHER | (2) |
| 14 | | 700-00454 | NUT | (2) |
| 15 | | 700-00455 | NUT | (1) |
| 16 | | 700-00547 | E_SCREW | (1) |
| 17 | | 700-00579 | M_SCREW | (1) |
| 18 | | 700-00580 | M_SCREW | (1) |
| 19 | | 700-00581 | M_SCREW | (1) |
| 20 | | 700-00618 | WASHER | (1) |
| 21 | | 700-00219 | PLUG | (6) |
| 22 | | 700-00456 | NUT | (4) |
| 23 | | 700-00580 | M_SCREW | (1) |
| 24 | | 700-00580 | M_SCREW | (1) |
| 25 | | 700-00454 | NUT | (2) |
| 26 | | 700-00611 | WASHER | (4) |
| 27 | | 700-00218 | THREAD STEADY BALL SEAT | (6) |
| 28 | | 700-00454 | NUT | (2) |
| 29 | | 700-00454 | NUT | (6) |
| 30 | | 700-00615 | WASHER | (6) |
| 31 | | 700-00217 | CONNECTING LOOP | (6) |
| 32 | | 700-00216 | SPONGY CUSHION | (6) |
| 33 | | 700-00215 | COILING SEAT | (6) |
| 34 | | 700-00183 | THREAD GUIDE BAR | (1) |
| 35 | | 700-00182 | THREAD GUIDE BAR | (1) |
| 36 | | 700-00547 | E_SCREW | (1) |
| 37 | | 700-00581 | M_SCREW | (1) |
| 38 | | 700-00191 | FIXED PLATE | (4) |
| 39 | | 700-00589 | M_SCREW | (4) |
| 40 | | 700-00177 | THREAD GUIDE BAR | (1) |

21. SEMI-SUNKEN TYPE TABLE COMPONENTS



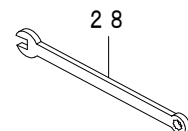
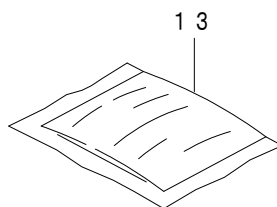
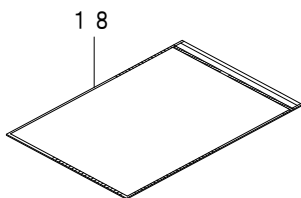
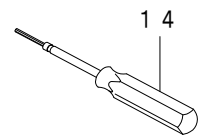
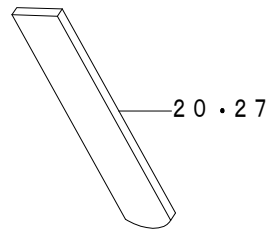
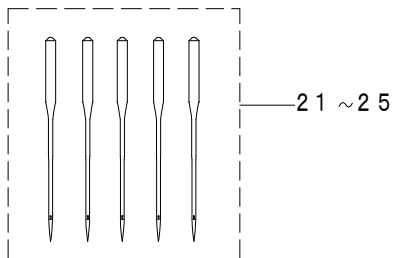
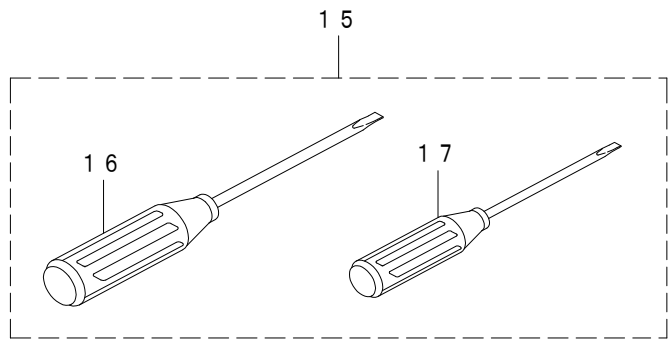
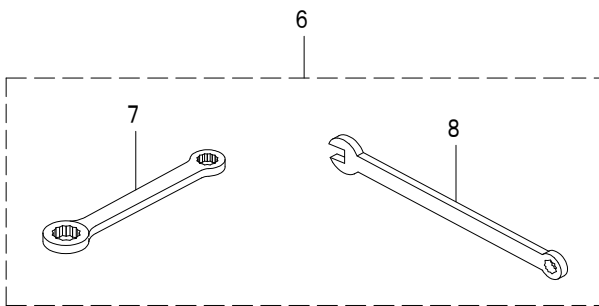
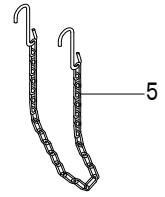
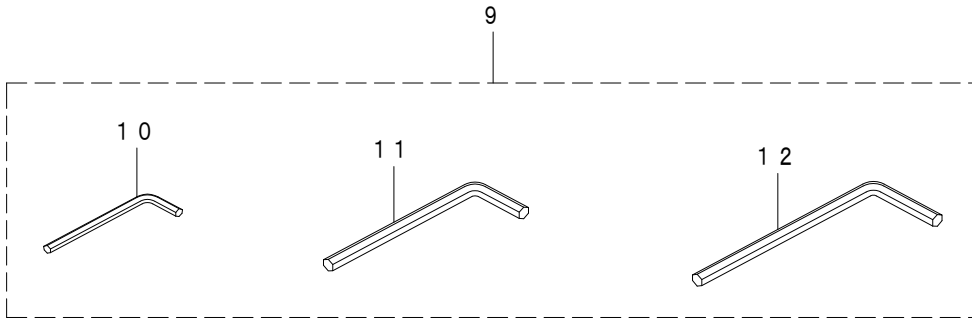
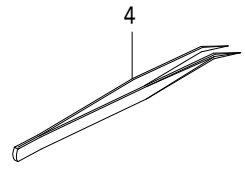
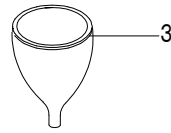
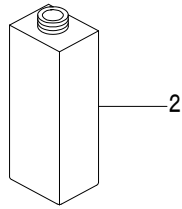
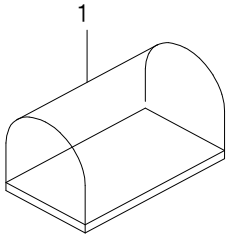
| REF.NO | NOTE | PART NO | DESCRIPTION | Qty |
|--------|------|-----------|--------------------------|-----|
| 1 | | 700-00264 | CHASSIS | 1 |
| 2 | | 700-00263 | CHASSIS | (1) |
| 3 | | 700-00438 | RUBBER PAD | (1) |
| 4 | | 700-00340 | RUBBER BLOCK | 1 |
| 5 | | 700-00338 | RUBBER BLOCK | (4) |
| 6 | | 700-00265 | BOLT COMB. | 1 |
| 7 | | 700-00332 | FIXED SHAFT | (4) |
| 8 | | 700-00339 | RUBBER BLOCK | (4) |
| 9 | | 700-00707 | BOLT | (4) |
| 10 | | 401-59780 | GASKET | (4) |
| 11 | | 401-59781 | GASKET | (4) |
| 12 | | 700-00348 | WASHER | (4) |
| 13 | | 700-00617 | WASHER | (4) |
| 14 | | 700-00484 | WASTE FABRIC CHUTE COMB. | 1 |
| 15 | | 700-00352 | WASHER | (4) |
| 16 | | 700-00482 | WASTE FABRIC CHUTE | (1) |
| 17 | | 700-00483 | WASTE FABRIC CHUTE | (1) |
| 18 | | 700-00485 | WASTE FABRIC CHUTE | (1) |
| 19 | | 700-00540 | E_SCREW | (3) |
| 20 | | 700-00541 | E_SCREW | (4) |
| 21 | | 700-00854 | TABLE | 1 |
| 22 | | 700-00339 | RUBBER BLOCK | 4 |

22. FULLY-SUNKEN TYPE TABLE COMPONENTS



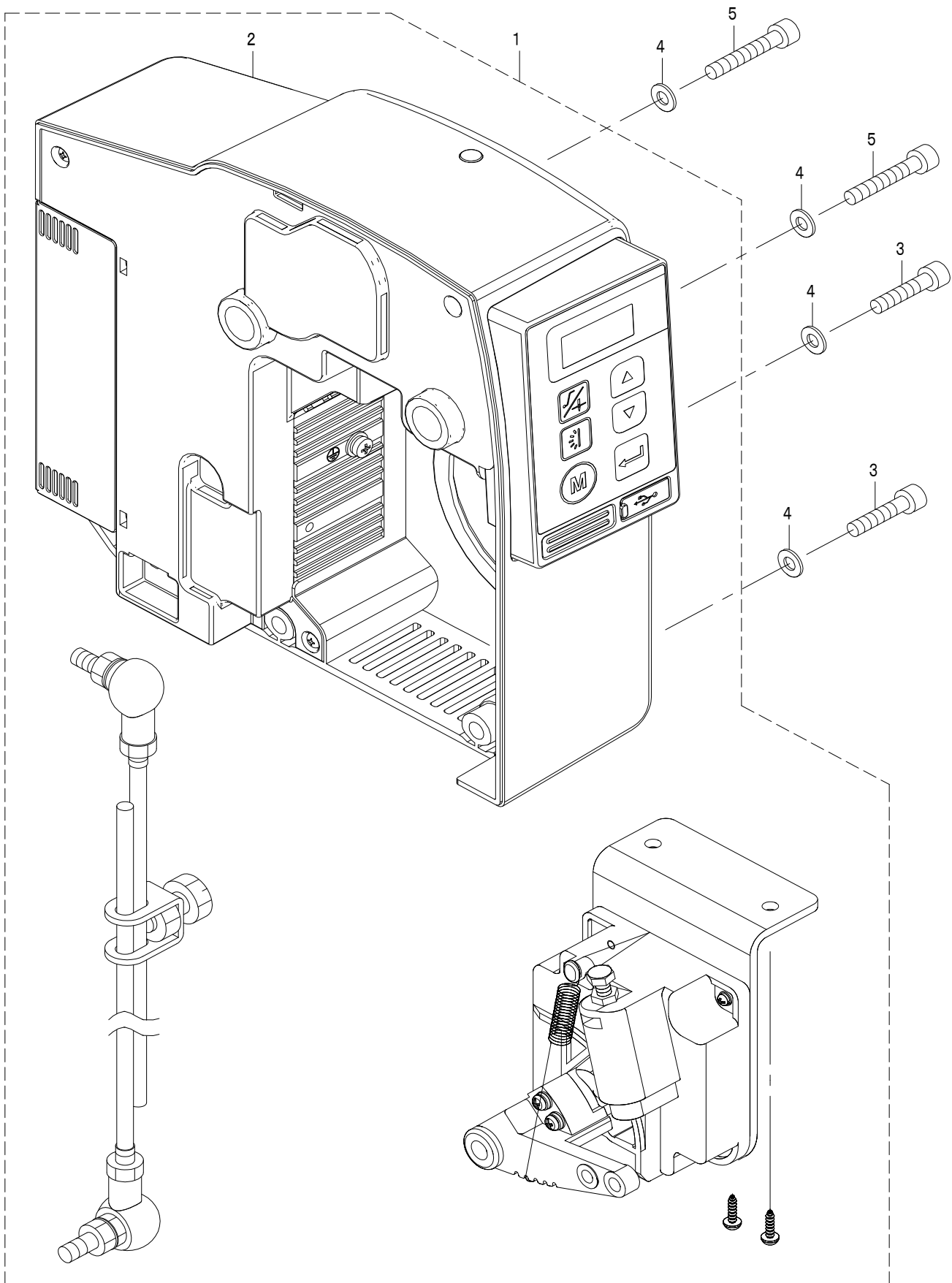
| REF.NO | NOTE | PART NO | DESCRIPTION | Qty |
|--------|------|-----------|--|-----|
| 1 | | 402-35240 | TABLE | 1 |
| 2 | | 700-00706 | FIXED TABLE | 1 |
| 3 | #01 | 700-00884 | BOLT ASM. | 5 |
| 4 | | 402-16747 | HOLDING PLATE BOLT | 2 |
| 5 | | 700-00360 | WASHER | 14 |
| 6 | | 402-16748 | SPRING WASHER M10 | 4 |
| 7 | | 700-00459 | NUT M10X1.5 TYPE1 | 14 |
| 8 | | 402-16751 | FRAME HOLDING PLATE COUPLING | 1 |
| 9 | | 402-16752 | SCREW M10 L=45 | 2 |
| 10 | | 401-59563 | SCREW M4X0.7 L=20 | 4 |
| 11 | | 402-16753 | WASHER M4 | 4 |
| 12 | | 402-16754 | NUT M4X0.7 TYPE1 | 4 |
| 13 | | 402-16755 | FRAME HOLDING PLATE COUPLING | 1 |
| 14 | | 402-16756 | HOLDING PLATE BOLT | 2 |
| | NOTE | | #01....FIVE PARTS ENCLOSED WITH THE DOTTED LINEARE ENCLOSED | |

23. ACCESSORIES PARTS COMPONENTS



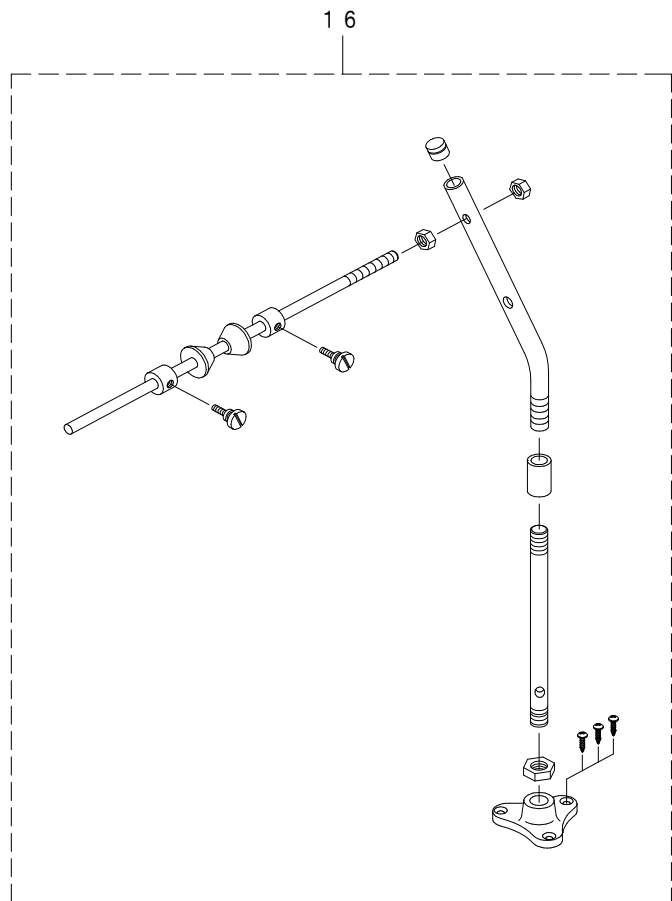
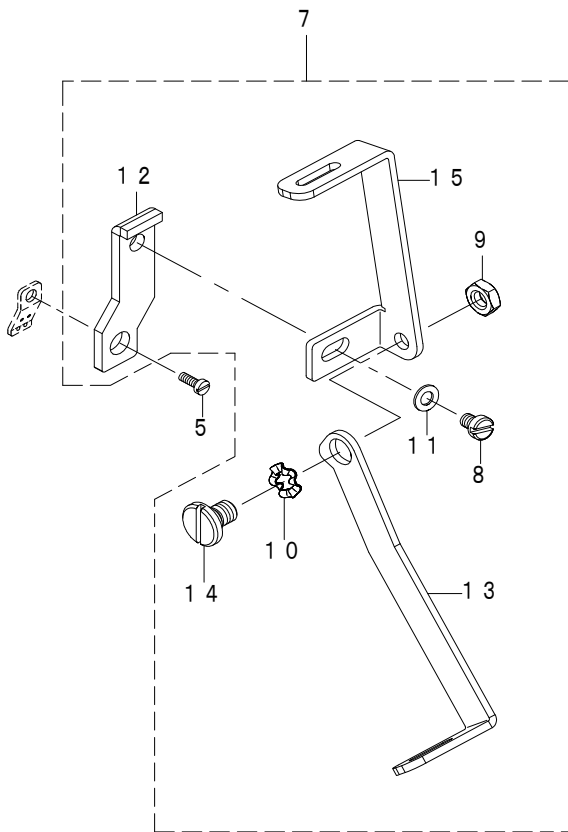
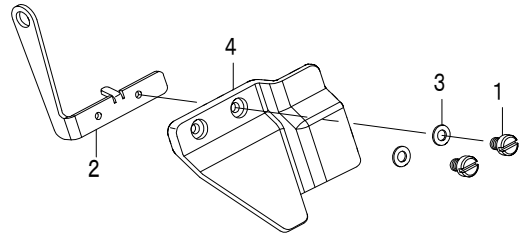
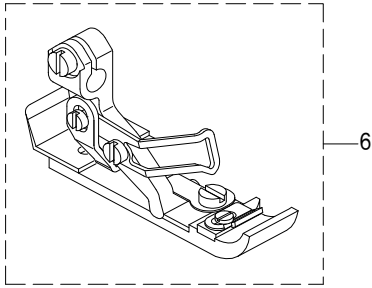
| REF.NO | NOTE | PART NO | DESCRIPTION | Qty |
|--------|------|--------------|---------------------------------|-----|
| 1 | | 402-35247 | HEAD COVER | 1 |
| 2 | | 401-59785 | SEWING OIL J18(3) | 1 |
| 3 | | 700-00757 | FUNNEL | 1 |
| 4 | | 700-00759 | TWEEZERS | 1 |
| 5 | | 700-00760 | CHAIN | 1 |
| 6 | | 401-59796 | SPANNER COMB. | 1 |
| 7 | | 401-59794 | RING SPANNER | (1) |
| 8 | | 401-59795 | SPANNER | (1) |
| 9 | | 401-59793 | HEXAGONAL ROD SPANNER KEY COMB. | 1 |
| 10 | | 401-59789 | HEXAGONAL ROD SPANNER KEY | (1) |
| 11 | | 401-59790 | HEXAGONAL ROD SPANNER KEY | (1) |
| 12 | | 401-59791 | HEXAGONAL ROD SPANNER KEY | (1) |
| 13 | | 700-00763 | DESICCATIVE | 1 |
| 14 | | 700-00758 | HEXAGON SCREWDRIVER | 1 |
| 15 | | 401-59792 | SCREW DRIVER COMB. | 1 |
| 16 | | 401-59787 | SCREW DRIVER | (1) |
| 17 | | 401-59788 | SCREW DRIVER | (1) |
| 18 | | 700-00761 | TOOL BAG | 1 |
| 19 | | 700-00498 | E_SCREW | 1 |
| 20 | | 700-00399 | KNIFE | 1 |
| 21 | | MDC-270B1100 | NEEDLE DCX27 #11 | 5 |
| 22 | #01 | MDC-270B0800 | NEEDLE DCX27 #8 | 5 |
| 23 | #02 | MDC-270B0900 | NEEDLE DCX27 #9 | 5 |
| 24 | #03 | MDC-270B1400 | NEEDLE DCX27 #14 | 5 |
| 25 | #04 | MDC-270B1600 | NEEDLE DCX27 #16 | 5 |
| 26 | #05 | MDC-270B2100 | NEEDLE DCX27 #21 | 5 |
| 27 | #05 | 401-78596 | KNIFE | 1 |
| 28 | | 401-71278 | RING SPANNER | 1 |
| | NOTE | | #01....FOR 04S-150 | |
| | | | #02....FOR 14S-24H | |
| | | | #03....FOR 14S-44H,43S | |
| | | | #04....FOR 16S-50H | |
| | | | #05....FOR 16S-60H | |

24. PSC UNIT



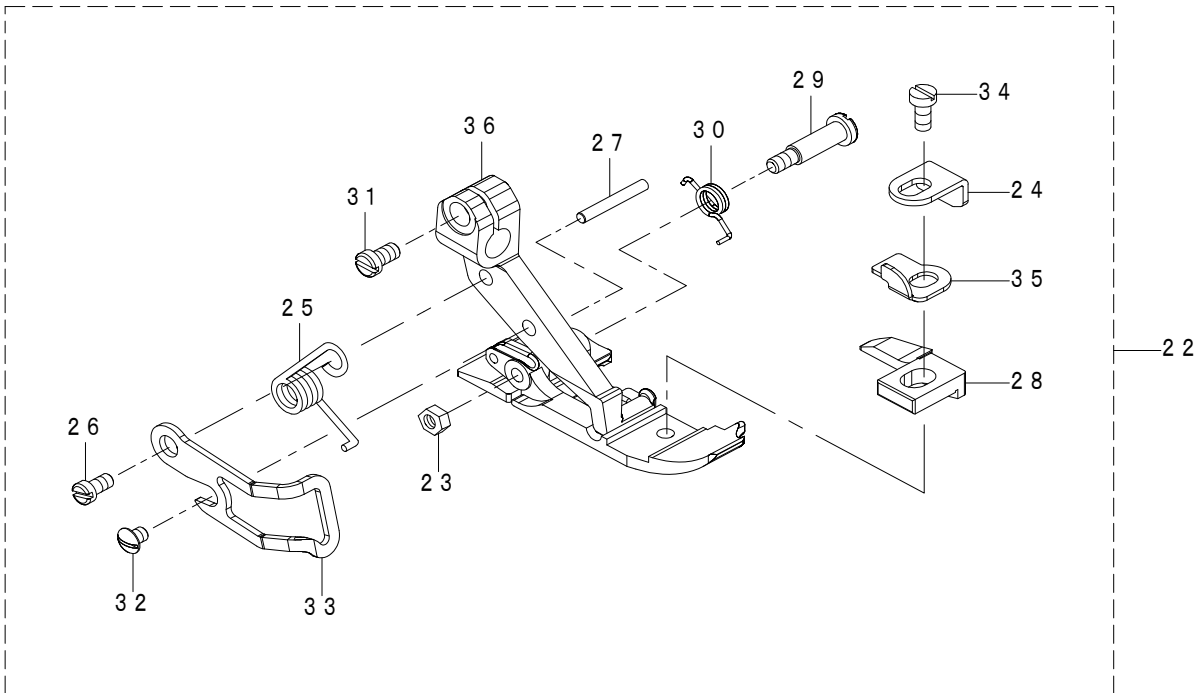
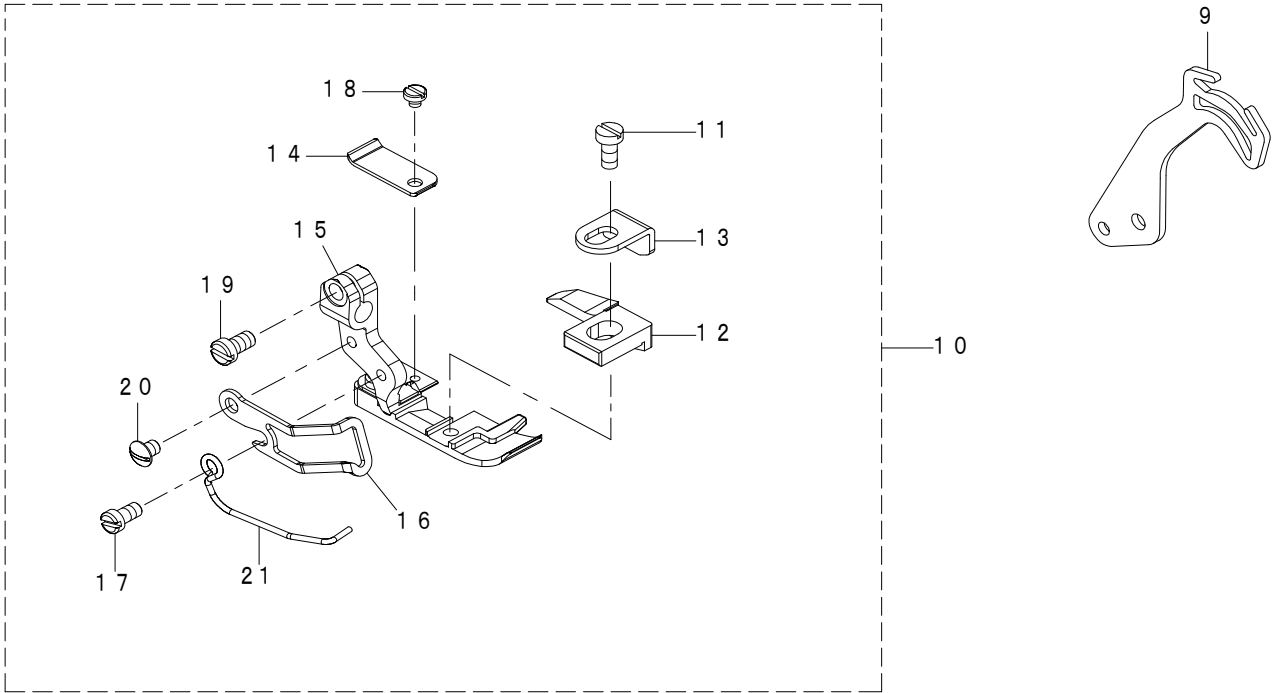
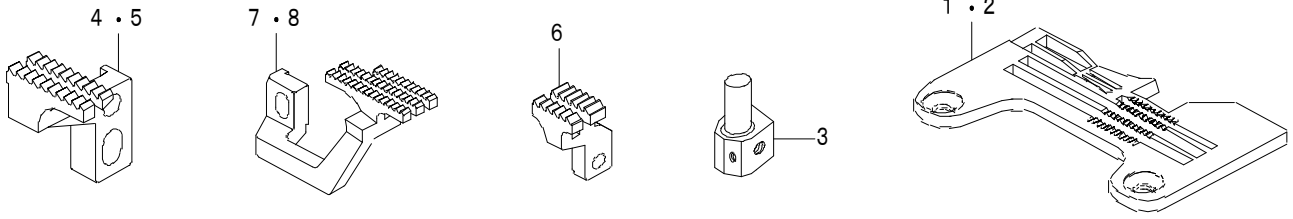
| REF.NO | NOTE | PART NO | DESCRIPTION | Qty |
|--------|------|-----------|--------------------------|-----|
| 1 | | 402-35235 | CONTROL_BOX_1P_ASSY | 1 |
| 2 | | 402-32945 | CONTROL_BOX_M068_DD10_1P | (1) |
| 3 | | 402-35238 | M_SCREW | 2 |
| 4 | | 700-00356 | WASHER | 4 |
| 5 | | 402-49102 | M_SCREW | 2 |

25. TAPE INSERTION COMPONENTS



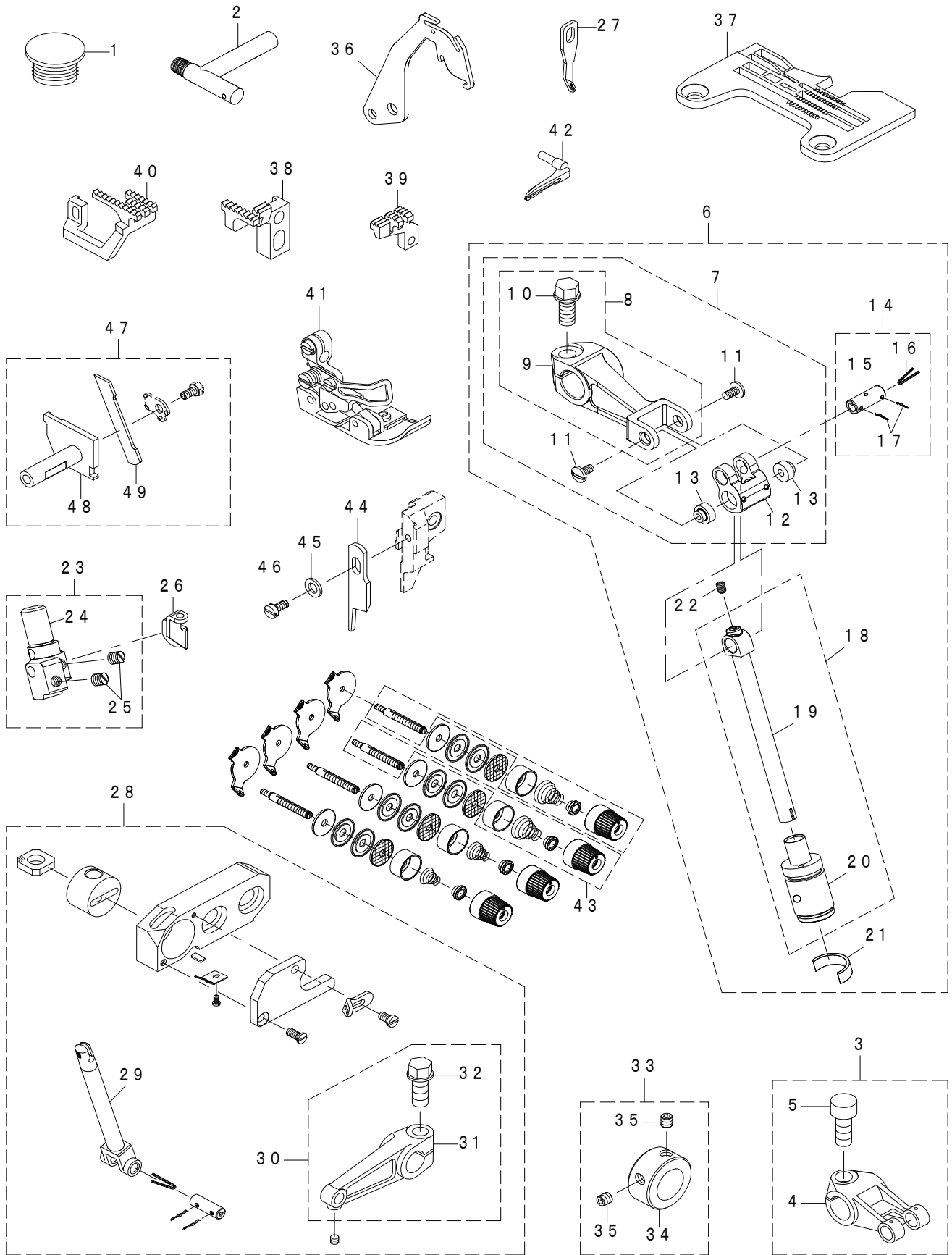
| REF.NO | NOTE | PART NO | DESCRIPTION | Qty |
|--------|------|-----------|-----------------------|-----|
| 1 | | 700-00908 | M_SCREW | 2 |
| 2 | | 401-59574 | SAFETY PLATE BRACKET | 1 |
| 3 | | 401-59576 | WASHER | 2 |
| 4 | | 401-59810 | SAFETY PLATE | 1 |
| 5 | | 700-00549 | E_SCREW | 1 |
| 6 | | 401-59817 | PRESSER FOOT | 1 |
| 7 | | 401-59815 | TAPE GUIDE COMB. | 1 |
| 8 | | 700-00908 | M_SCREW | (1) |
| 9 | | 700-00452 | NUT | (1) |
| 10 | | 700-00359 | WASHER | (1) |
| 11 | | 401-59576 | WASHER | (1) |
| 12 | | 401-59811 | TAPE GUIDE | (1) |
| 13 | | 401-59813 | TAPE GUIDE | (1) |
| 14 | | 401-59814 | E_SCREW | (1) |
| 15 | | 401-59812 | TAPE GUIDE | (1) |
| 16 | #01 | 700-00098 | TAPE HOLDER | 1 |
| | | NOTE | #01....OPTIONAL PARTS | |

26. 30P COMPONENTS



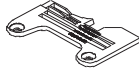
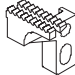

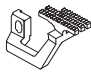
| REF.NO | NOTE | PART NO | DESCRIPTION | Qty |
|--------|------|-----------|--|-----|
| 1 | #01 | 401-64048 | THROAT PLATE | 1 |
| 2 | #03 | 401-64049 | THROAT PLATE | 1 |
| 3 | #01 | 401-64055 | NEEDLE CLAMP | 1 |
| 4 | #01 | 401-64050 | FEED DOG | 1 |
| 5 | #03 | 401-64052 | FEED DOG | 1 |
| 6 | #02 | 401-64051 | FEED DOG | 1 |
| 7 | #01 | 401-64044 | FEED DOG | 1 |
| 8 | #03 | 401-64045 | FEED DOG | 1 |
| 9 | #01 | 401-64056 | THREAD TAKE-UP LEVER | 1 |
| 10 | #01 | 401-64021 | PRESSER FOOT ASM. | 1 |
| 11 | #01 | 700-00558 | E_SCREW | (1) |
| 12 | #01 | 401-64024 | STITCH TONGUE | (1) |
| 13 | #01 | 401-64053 | PRESSER FOOT 514_30P | (1) |
| 14 | #01 | 401-64026 | REAR PRESSER FOOT | (1) |
| 15 | #01 | 401-64027 | PRESSER FOOT HINGE | (1) |
| 16 | #01 | 700-00735 | FINGER GUARD | (1) |
| 17 | #01 | 700-00500 | E_SCREW | (1) |
| 18 | #01 | 700-00496 | E_SCREW | (1) |
| 19 | #01 | 700-00505 | E_SCREW | (1) |
| 20 | #01 | 700-00538 | E_SCREW | (1) |
| 21 | #01 | 401-64028 | PRESSER FOOT ARM SPRING | (1) |
| 22 | #03 | 401-64029 | PRESSER FOOT ASM. | 1 |
| 23 | #03 | 401-64043 | NUT | (1) |
| 24 | #03 | 401-64035 | PRESSER FOOT | (1) |
| 25 | #03 | 401-64033 | PRESSER FOOT ARM SPRING | (1) |
| 26 | #03 | 700-00500 | E_SCREW | (1) |
| 27 | #03 | 401-64042 | PIN | (1) |
| 28 | #03 | 401-64032 | STITCH TONGUE | (1) |
| 29 | #03 | 401-64039 | HINGE SCREW | (1) |
| 30 | #03 | 401-64037 | SPRING | (1) |
| 31 | #03 | 700-00505 | E_SCREW | (1) |
| 32 | #03 | 700-00538 | E_SCREW | (1) |
| 33 | #03 | 401-64034 | FINGER GUARD | (1) |
| 34 | #03 | 401-59855 | E_SCREW | (1) |
| 35 | #03 | 401-64036 | SPRING | (1) |
| 36 | #03 | 401-64038 | PRESSER FOOT HINGE | (1) |
| | NOTE | | #01....FOR 14S-BE6-30P #02....FOR 14S-BE6-30P,16S-DE4-30P #03....FOR 16S-DE4-30P | |





27. 60H COMPONENTS



| REF.NO | NOTE | PART NO | DESCRIPTION | Qty |
|--------|------|-----------|-----------------------------|-----|
| 1 | | 401-78574 | RUBBER PLUG | 1 |
| 2 | | 401-78575 | OIL TUBE | 1 |
| 3 | | 401-78605 | NEEDLE BAR ROCKER COMB. | 1 |
| 4 | | 401-78576 | NEEDLE BAR ROCKER | (1) |
| 5 | | 700-00588 | M_SCREW | (1) |
| 6 | | 401-78606 | NEEDLE BAR COMB. | 1 |
| 7 | | 401-78607 | NEEDLE BAR COMB. | (1) |
| 8 | | 401-78609 | CONNECTING ROD COMB. | (1) |
| 9 | | 401-78577 | CONNECTING ROD | (1) |
| 10 | | 700-00593 | M_SCREW | (1) |
| 11 | | 401-78578 | M_SCREW | (2) |
| 12 | | 401-78579 | NEEDLE DRIVING LINK | (1) |
| 13 | | 401-78580 | NEEDLE DRIVING ARM PIN | (2) |
| 14 | | 401-78608 | SHAFT COMB. | (1) |
| 15 | | 401-78584 | SHAFT | (1) |
| 16 | | 700-00729 | OIL WICK | (1) |
| 17 | | 700-00728 | OIL YARN | (2) |
| 18 | | 401-78616 | NEEDLE BAR COMB. | (1) |
| 19 | | 401-78581 | NEEDLE BAR | (1) |
| 20 | | 401-78583 | BUSHING | (1) |
| 21 | | 700-00676 | OIL FELT | (1) |
| 22 | | 401-78582 | M_SCREW | (1) |
| 23 | | 700-00804 | NEEDLE CLAMP | 1 |
| 24 | | 401-59613 | NEEDLE CLAMP | (1) |
| 25 | | 700-00498 | E_SCREW | (2) |
| 26 | | 401-78586 | THREAD CROSSING | 1 |
| 27 | | 401-79600 | THREAD GUIDE | 1 |
| 28 | | 401-78611 | CONNECTING ROD SEAT COMB. | 1 |
| 29 | | 401-78613 | LOOPER CONNECTING ROD COMB. | (1) |
| 30 | | 401-78612 | CONNECTING ROD COMB. | (1) |
| 31 | | 401-78588 | CONNECTING ROD | (1) |
| 32 | | 700-00593 | M_SCREW | (1) |
| 33 | | 401-78610 | COLLAR COMB. | 1 |
| 34 | | 401-78587 | COLLAR | (1) |
| 35 | | 700-00522 | E_SCREW | (2) |
| 36 | | 401-78585 | THREAD TAKE-UP LEVER | 1 |
| 37 | | 401-78594 | THROAT PLATE | 1 |
| 38 | | 401-78597 | FEED DOG | 1 |
| 39 | | 401-78598 | FEED DOG | 1 |
| 40 | | 401-78599 | FEED DOG | 1 |
| 41 | | 401-78595 | PRESSER FOOT ASM. | 1 |
| 42 | | 401-78592 | LOOPER | 1 |
| 43 | | 401-78615 | THREAD TENSION COMB. (Y2) | 1 |
| 44 | | 401-59725 | KNIFE | 1 |
| 45 | | 700-00350 | WASHER | 1 |
| 46 | | 700-00508 | E_SCREW | 1 |
| 47 | | 401-78617 | KNIFE SEAT COMB. | 1 |
| 48 | | 401-78600 | KNIFE SEAT | (1) |
| 49 | | 401-78596 | KNIFE | (1) |

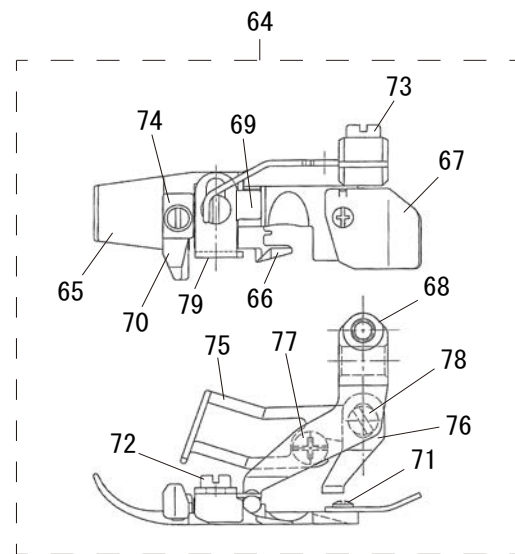
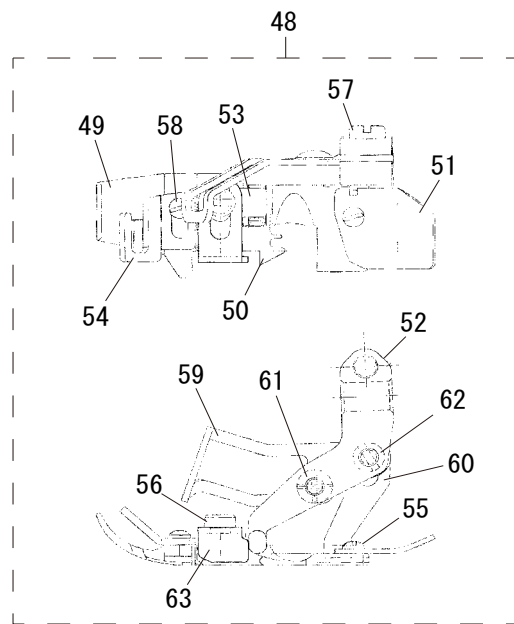
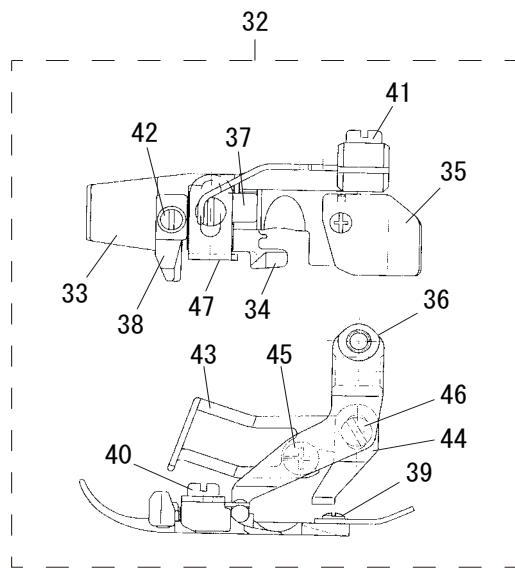
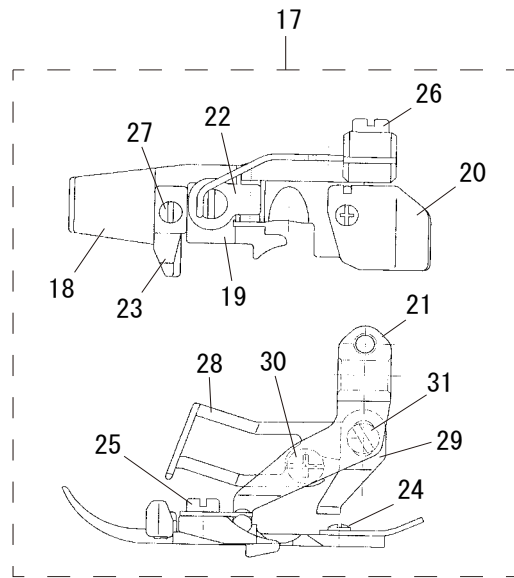
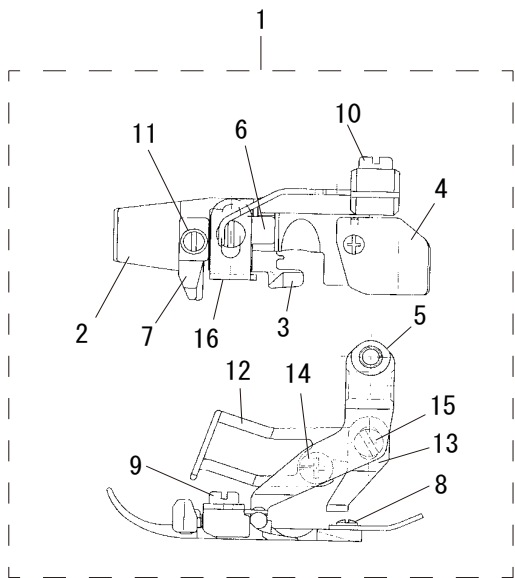
28. MO-6800S GAUGE TABLE

| MODEL |  | |  | |  | |  | |
|---------------------------|---|-----------|---|-----------|---|-----------|---|-----------|
| | THROAT PLATE | | FEED DOG | | FEED DOG | | FEED DOG | |
| | No. | | No. | | No. | | No. | |
| MO-6804S-0E4-30H | 1 | 401-59827 | 18 | 401-59820 | 35 | 700-00782 | 52 | 401-59836 |
| MO-6804S-0A4-150 | 2 | 401-59825 | 19 | 401-59820 | 36 | 700-00784 | 53 | 401-59836 |
| MO-6814S-BD6-30H | 3 | 401-59828 | 20 | 401-59822 | 37 | 700-00782 | 54 | 401-59837 |
| MO-6814S-BD6-24H/G44/Q143 | 4 | 401-59828 | 21 | 401-59822 | 38 | 700-00782 | 55 | 401-59837 |
| MO-6814S-BD6-34H/G44/Q143 | 5 | 401-59828 | 22 | 401-59822 | 39 | 700-00782 | 56 | 401-59837 |
| MO-6814S-BE6-24H/G44/Q143 | 6 | 401-59829 | 23 | 401-59822 | 40 | 700-00782 | 57 | 401-59837 |
| MO-6814S-BE6-34H/G44/Q143 | 7 | 401-59829 | 24 | 401-59822 | 41 | 700-00782 | 58 | 401-59837 |
| MO-6814S-BE6-40H | 8 | 401-59829 | 25 | 401-59822 | 42 | 700-00782 | 59 | 401-59837 |
| MO-6814S-BE6-44H/G44/Q143 | 9 | 401-59829 | 26 | 401-59822 | 43 | 700-00782 | 60 | 401-59837 |
| MO-6814S-BE6-30P | 10 | 401-64049 | 27 | 401-64050 | 44 | 700-00782 | 61 | 401-64044 |
| MO-6816S-DE6-30H | 11 | 401-59830 | 28 | 401-59821 | 45 | 700-00782 | 62 | 401-59838 |
| MO-6816S-FF6-30H | 119 | 401-59831 | 120 | 401-59821 | 121 | 700-00782 | 122 | 401-59839 |
| MO-6816S-FF6-50H | 12 | 401-59834 | 29 | 401-59821 | 46 | 700-00782 | 63 | 401-59839 |
| MO-6816S-FH6-60H | 13 | 401-78594 | 30 | 401-78597 | 47 | 401-78598 | 64 | 401-78599 |
| MO-6816S-DE4-30P | 14 | 401-64049 | 31 | 401-64052 | 48 | 700-00782 | 65 | 401-64045 |
| MO-6843S-1D6-40H | 15 | 401-59833 | 32 | 401-59821 | 49 | 700-00782 | 66 | 401-59839 |
| MO-6843S-2D6-40H | 16 | 401-59832 | 33 | 401-59821 | 50 | 700-00782 | 67 | 401-59839 |
| MO-6845S-FF6-360-N075 | 17 | 401-59826 | 34 | 401-59823 | 51 | 401-59824 | 68 | 401-59840 |

| MODEL |  | |  | |  | |  | |
|---------------------------|---|-----------|---|-----------|---|-----------|---|------------|
| | PRESSER FOOT | | LOOPER | | NEEDLE CLAMP | | NEEDLE | |
| | No. | | No. | | No. | | | |
| MO-6804S-0E4-30H | 69 | 401-59844 | 86 | 700-00798 | 102 | 700-00801 | | DCX27#11 |
| MO-6804S-0A4-150 | 70 | 401-59842 | 87 | 700-00798 | 103 | 700-00801 | | DCX27#8 |
| MO-6814S-BD6-30H | 71 | 401-69857 | 88 | 700-00238 | 104 | 700-00802 | | DCX27#11*2 |
| MO-6814S-BD6-24H/G44/Q143 | 72 | 401-59817 | 89 | 700-00238 | 105 | 700-00802 | | DCX27#9*2 |
| MO-6814S-BD6-34H/G44/Q143 | 73 | 401-59817 | 90 | 700-00238 | 106 | 700-00802 | | DCX27#11*2 |
| MO-6814S-BE6-24H/G44/Q143 | 74 | 401-59817 | 91 | 700-00238 | 107 | 700-00802 | | DCX27#9*2 |
| MO-6814S-BE6-34H/G44/Q143 | 75 | 401-59817 | 92 | 700-00238 | 108 | 700-00802 | | DCX27#11*2 |
| MO-6814S-BE6-40H | 76 | 401-59843 | 93 | 700-00799 | 109 | 700-00802 | | DCX27#11*2 |
| MO-6814S-BE6-44H/G44/Q143 | 77 | 401-59817 | 94 | 700-00799 | 110 | 700-00802 | | DCX27#14*2 |
| MO-6814S-BE6-30P | 78 | 401-64021 | 95 | 700-00238 | 111 | 401-64055 | | DCX27#11*2 |
| MO-6816S-DE6-30H | 79 | 401-59849 | 96 | 700-00238 | 112 | 700-00803 | | DCX27#11*2 |
| MO-6816S-FF6-30H | 123 | 401-59849 | 124 | 700-00238 | 125 | 700-00804 | | DCX27#11*2 |
| MO-6816S-FF6-50H | 80 | 401-59849 | 97 | 700-00799 | 113 | 700-00804 | | DCX27#16*2 |
| MO-6816S-FH6-60H | 81 | 401-78595 | 98 | 401-78592 | 114 | 700-00804 | | DCX27#21*2 |
| MO-6816S-DE4-30P | 82 | 401-64029 | 99 | 700-00238 | 115 | 700-00803 | | DCX27#11*2 |
| MO-6843S-1D6-40H | 83 | 401-59848 | 100 | 700-00238 | 116 | 700-00806 | | DCX27#11*3 |
| MO-6843S-2D6-40H | 84 | 401-59847 | 101 | 700-00238 | 117 | 700-00805 | | DCX27#11*3 |
| MO-6845S-FF6-360-N075 | 85 | 401-59845 | 119 | 700-00798 | 118 | 401-59841 | | DCX27#14*2 |

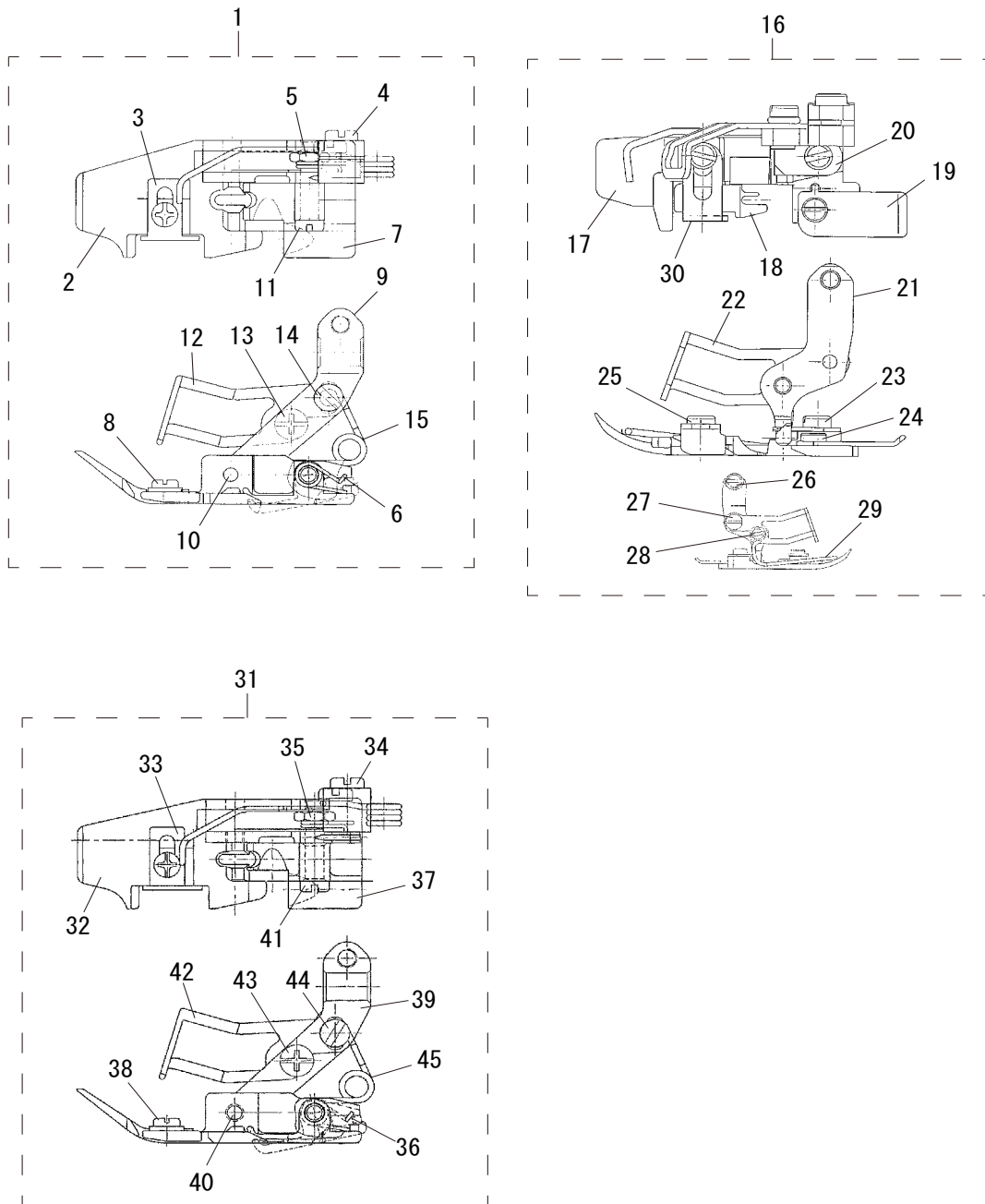
| REF.NO | NOTE | PART NO | DESCRIPTION | Qty |
|--------|------|-----------|-------------------|-----|
| 1 | | 401-59827 | THROAT PLATE | 1 |
| 2 | | 401-59825 | THROAT PLATE | 1 |
| 3 | | 401-59828 | THROAT PLATE | 1 |
| 4 | | 401-59828 | THROAT PLATE | 1 |
| 5 | | 401-59828 | THROAT PLATE | 1 |
| 6 | | 401-59829 | THROAT PLATE | 1 |
| 7 | | 401-59829 | THROAT PLATE | 1 |
| 8 | | 401-59829 | THROAT PLATE | 1 |
| 9 | | 401-59829 | THROAT PLATE | 1 |
| 10 | | 401-64049 | THROAT PLATE | 1 |
| 11 | | 401-59830 | THROAT PLATE | 1 |
| 12 | | 401-59834 | THROAT PLATE | 1 |
| 13 | | 401-78594 | THROAT PLATE | 1 |
| 14 | | 401-64049 | THROAT PLATE | 1 |
| 15 | | 401-59833 | THROAT PLATE | 1 |
| 16 | | 401-59832 | THROAT PLATE | 1 |
| 17 | | 401-59826 | THROAT PLATE | 1 |
| 18 | | 401-59820 | FEED DOG | 1 |
| 19 | | 401-59820 | FEED DOG | 1 |
| 20 | | 401-59822 | FEED DOG | 1 |
| 21 | | 401-59822 | FEED DOG | 1 |
| 22 | | 401-59822 | FEED DOG | 1 |
| 23 | | 401-59822 | FEED DOG | 1 |
| 24 | | 401-59822 | FEED DOG | 1 |
| 25 | | 401-59822 | FEED DOG | 1 |
| 26 | | 401-59822 | FEED DOG | 1 |
| 27 | | 401-64050 | FEED DOG | 1 |
| 28 | | 401-59821 | FEED DOG | 1 |
| 29 | | 401-59821 | FEED DOG | 1 |
| 30 | | 401-78597 | FEED DOG | 1 |
| 31 | | 401-64052 | FEED DOG | 1 |
| 32 | | 401-59821 | FEED DOG | 1 |
| 33 | | 401-59821 | FEED DOG | 1 |
| 34 | | 401-59823 | FEED DOG | 1 |
| 35 | | 700-00782 | FEED DOG | 1 |
| 36 | | 700-00784 | FEED DOG | 1 |
| 37 | | 700-00782 | FEED DOG | 1 |
| 38 | | 700-00782 | FEED DOG | 1 |
| 39 | | 700-00782 | FEED DOG | 1 |
| 40 | | 700-00782 | FEED DOG | 1 |
| 41 | | 700-00782 | FEED DOG | 1 |
| 42 | | 700-00782 | FEED DOG | 1 |
| 43 | | 700-00782 | FEED DOG | 1 |
| 44 | | 700-00782 | FEED DOG | 1 |
| 45 | | 700-00782 | FEED DOG | 1 |
| 46 | | 700-00782 | FEED DOG | 1 |
| 47 | | 401-78598 | FEED DOG | 1 |
| 48 | | 700-00782 | FEED DOG | 1 |
| 49 | | 700-00782 | FEED DOG | 1 |
| 50 | | 700-00782 | FEED DOG | 1 |
| 51 | | 401-59824 | FEED DOG | 1 |
| 52 | | 401-59836 | FEED DOG | 1 |
| 53 | | 401-59836 | FEED DOG | 1 |
| 54 | | 401-59837 | FEED DOG | 1 |
| 55 | | 401-59837 | FEED DOG | 1 |
| 56 | | 401-59837 | FEED DOG | 1 |
| 57 | | 401-59837 | FEED DOG | 1 |
| 58 | | 401-59837 | FEED DOG | 1 |
| 59 | | 401-59837 | FEED DOG | 1 |
| 60 | | 401-59837 | FEED DOG | 1 |
| 61 | | 401-64044 | FEED DOG | 1 |
| 62 | | 401-59838 | FEED DOG | 1 |
| 63 | | 401-59839 | FEED DOG | 1 |
| 64 | | 401-78599 | FEED DOG | 1 |
| 65 | | 401-64045 | FEED DOG | 1 |
| 66 | | 401-59839 | FEED DOG | 1 |
| 67 | | 401-59839 | FEED DOG | 1 |
| 68 | | 401-59840 | FEED DOG | 1 |
| 69 | | 401-59844 | PRESSER FOOT ASM. | 1 |
| 70 | | 401-59842 | PRESSER FOOT ASM. | 1 |
| 71 | | 401-69857 | PRESSER FOOT ASM. | 1 |
| 72 | | 401-59817 | PRESSER FOOT ASM. | 1 |
| 73 | | 401-59817 | PRESSER FOOT ASM. | 1 |
| 74 | | 401-59817 | PRESSER FOOT ASM. | 1 |
| 75 | | 401-59817 | PRESSER FOOT ASM. | 1 |
| 76 | | 401-59843 | PRESSER FOOT ASM. | 1 |
| 77 | | 401-59817 | PRESSER FOOT ASM. | 1 |
| 78 | | 401-64021 | PRESSER FOOT ASM. | 1 |
| 79 | | 401-59850 | PRESSER FOOT ASM. | 1 |
| 80 | | 401-59849 | PRESSER FOOT ASM. | 1 |
| 81 | | 401-78595 | PRESSER FOOT ASM. | 1 |
| 82 | | 401-64029 | PRESSER FOOT ASM. | 1 |
| 83 | | 401-59848 | PRESSER FOOT ASM. | 1 |
| 84 | | 401-59847 | PRESSER FOOT ASM. | 1 |
| 85 | | 401-59845 | PRESSER FOOT ASM. | 1 |
| 86 | | 700-00798 | LOOPER | 1 |
| 87 | | 700-00798 | LOOPER | 1 |
| 88 | | 700-00238 | LOOPER | 1 |
| 89 | | 700-00238 | LOOPER | 1 |
| 90 | | 700-00238 | LOOPER | 1 |
| 91 | | 700-00238 | LOOPER | 1 |
| 92 | | 700-00238 | LOOPER | 1 |
| 93 | | 700-00799 | LOOPER | 1 |
| 94 | | 700-00799 | LOOPER | 1 |
| 95 | | 700-00238 | LOOPER | 1 |
| 96 | | 700-00238 | LOOPER | 1 |
| 97 | | 700-00799 | LOOPER | 1 |
| 98 | | 401-78592 | LOOPER | 1 |
| 99 | | 700-00238 | LOOPER | 1 |
| 100 | | 700-00238 | LOOPER | 1 |
| 101 | | 700-00238 | LOOPER | 1 |
| 102 | | 700-00801 | NEEDLE CLAMP | 1 |
| 103 | | 700-00801 | NEEDLE CLAMP | 1 |
| 104 | | 700-00802 | NEEDLE CLAMP | 1 |
| 105 | | 700-00802 | NEEDLE CLAMP | 1 |
| 106 | | 700-00802 | NEEDLE CLAMP | 1 |
| 107 | | 700-00802 | NEEDLE CLAMP | 1 |
| 108 | | 700-00802 | NEEDLE CLAMP | 1 |
| 109 | | 700-00802 | NEEDLE CLAMP | 1 |
| 110 | | 700-00802 | NEEDLE CLAMP | 1 |
| 111 | | 401-64055 | NEEDLE CLAMP | 1 |
| 112 | | 700-00803 | NEEDLE CLAMP | 1 |
| 113 | | 700-00804 | NEEDLE CLAMP | 1 |
| 114 | | 700-00804 | NEEDLE CLAMP | 1 |
| 115 | | 700-00803 | NEEDLE CLAMP | 1 |
| 116 | | 700-00806 | NEEDLE CLAMP | 1 |
| 117 | | 700-00805 | NEEDLE CLAMP | 1 |
| 118 | | 401-59841 | NEEDLE CLAMP | 1 |
| 119 | | 700-00798 | LOOPER | 1 |
| 120 | | 401-59831 | THROAT PLATE | 1 |
| 121 | | 401-59821 | FEED DOG | 1 |
| 122 | | 700-00782 | FEED DOG | 1 |
| 123 | | 401-59839 | FEED DOG | 1 |
| 124 | | 401-59849 | PRESSER FOOT ASM. | 1 |
| 125 | | 700-00238 | LOOPER | 1 |
| 126 | | 700-00804 | NEEDLE CLAMP | 1 |

29. MO-6800S GAUGE TABLE PRESSER FOOT COMPONENTS (1)



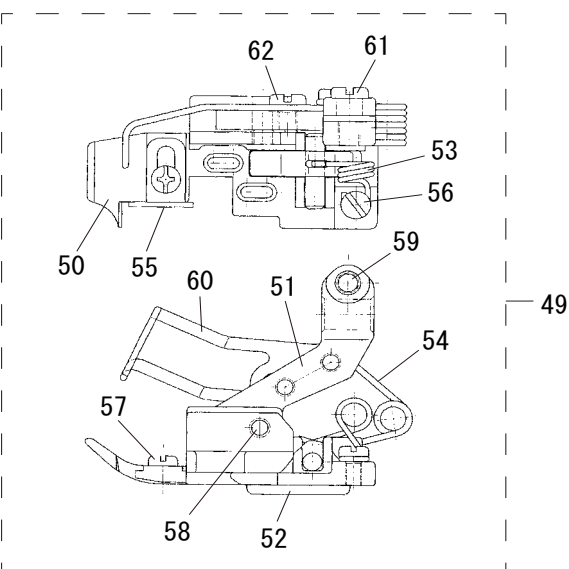
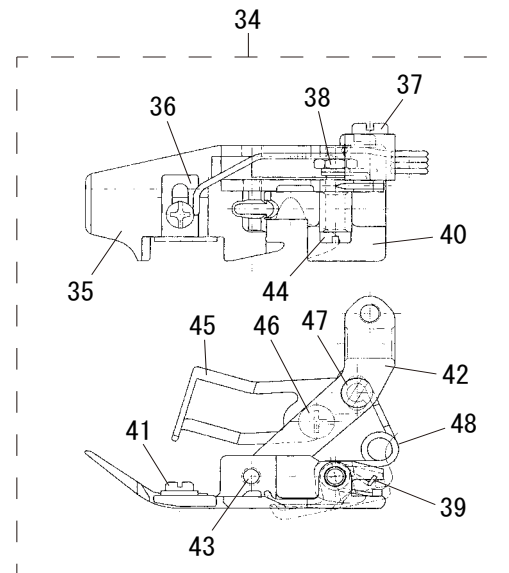
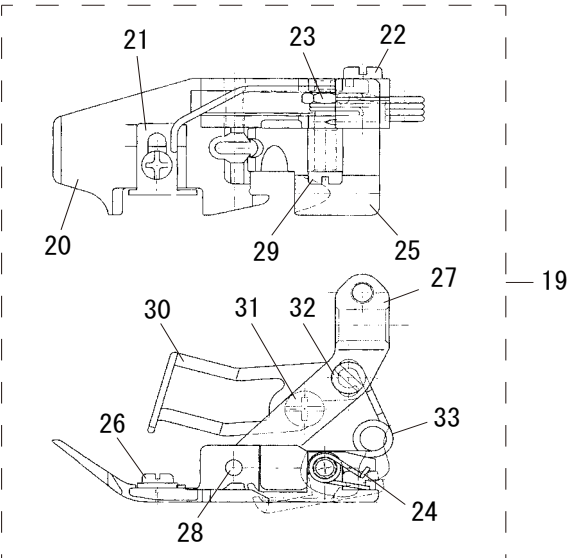
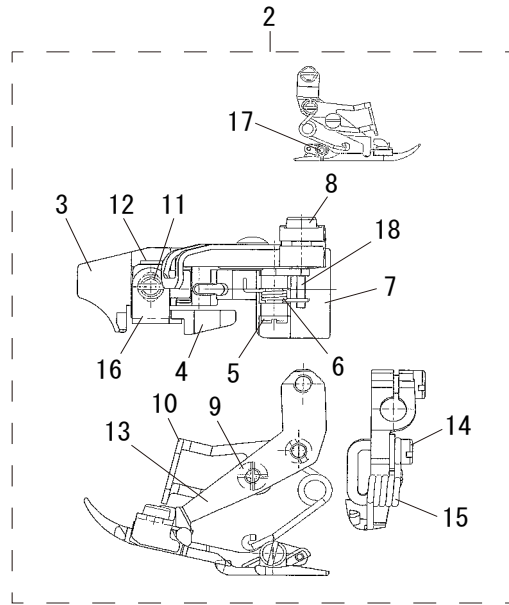
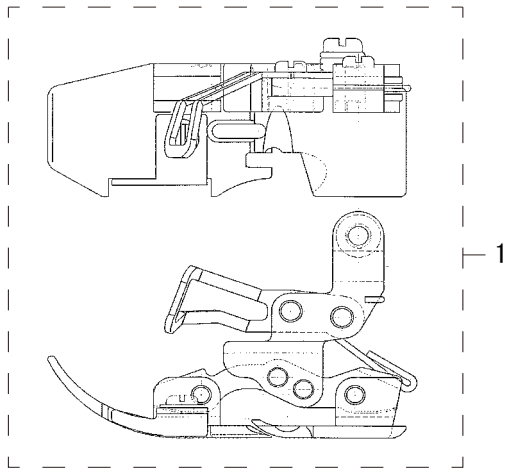
| REF.NO | NOTE | PART NO | DESCRIPTION | Qty |
|--------|------|-----------|--------------------|-----|
| 1 | | 401-59844 | PRESSER FOOT ASM. | 1 |
| 2 | | 401-59853 | PRESSER FOOT | (1) |
| 3 | | 401-59857 | STITCH TONGUE | (1) |
| 4 | | 700-00862 | REAR PRESSER FOOT | (1) |
| 5 | | 700-00859 | PRESSER FOOT HINGE | (1) |
| 6 | | 700-00860 | SPRING | (1) |
| 7 | | 700-00861 | CURL GUARD | (1) |
| 8 | | 700-00879 | E_SCREW | (1) |
| 9 | | 401-59855 | E_SCREW | (1) |
| 10 | | 700-00505 | E_SCREW | (1) |
| 11 | | 700-00877 | E_SCREW | (1) |
| 12 | | 700-00735 | NEEDLE GUARD | (1) |
| 13 | | 700-00304 | FIXED PLATE | (1) |
| 14 | | 700-00538 | E_SCREW | (1) |
| 15 | | 700-00500 | E_SCREW | (1) |
| 16 | | 401-59856 | THREAD GUIDE PLATE | (1) |
| 17 | | 401-59842 | PRESSER FOOT ASM. | 1 |
| 18 | | 401-59851 | PRESSER FOOT | (1) |
| 19 | | 401-59852 | STITCH TONGUE | (1) |
| 20 | | 700-00862 | REAR PRESSER FOOT | (1) |
| 21 | | 700-00859 | PRESSER FOOT HINGE | (1) |
| 22 | | 700-00860 | SPRING | (1) |
| 23 | | 700-00861 | CURL GUARD | (1) |
| 24 | | 700-00879 | E_SCREW | (1) |
| 25 | | 700-00500 | E_SCREW | (1) |
| 26 | | 700-00505 | E_SCREW | (1) |
| 27 | | 700-00877 | E_SCREW | (1) |
| 28 | | 700-00735 | NEEDLE GUARD | (1) |
| 29 | | 700-00304 | FIXED PLATE | (1) |
| 30 | | 700-00538 | E_SCREW | (1) |
| 31 | | 700-00500 | E_SCREW | (1) |
| 32 | | 401-59843 | PRESSER FOOT ASM. | 1 |
| 33 | | 401-59853 | PRESSER FOOT | (1) |
| 34 | | 401-59854 | STITCH TONGUE | (1) |
| 35 | | 700-00862 | REAR PRESSER FOOT | (1) |
| 36 | | 700-00859 | PRESSER FOOT HINGE | (1) |
| 37 | | 700-00860 | SPRING | (1) |
| 38 | | 700-00861 | CURL GUARD | (1) |
| 39 | | 700-00879 | E_SCREW | (1) |
| 40 | | 401-59855 | E_SCREW | (1) |
| 41 | | 700-00505 | E_SCREW | (1) |
| 42 | | 700-00877 | E_SCREW | (1) |
| 43 | | 700-00735 | NEEDLE GUARD | (1) |
| 44 | | 700-00304 | FIXED PLATE | (1) |
| 45 | | 700-00538 | E_SCREW | (1) |
| 46 | | 700-00500 | E_SCREW | (1) |
| 47 | | 401-59856 | THREAD GUIDE PLATE | (1) |
| 48 | | 401-59817 | PRESSER FOOT ASM. | 1 |
| 49 | | 401-59547 | PRESSER FOOT | (1) |
| 50 | | 401-59548 | STITCH TONGUE | (1) |
| 51 | | 700-00862 | REAR PRESSER FOOT | (1) |
| 52 | | 700-00859 | PRESSER FOOT HINGE | (1) |
| 53 | | 700-00860 | SPRING | (1) |
| 54 | | 401-59549 | TAPE GUIDE | (1) |
| 55 | | 700-00879 | E_SCREW | (1) |
| 56 | | 401-59855 | E_SCREW | (1) |
| 57 | | 700-00505 | E_SCREW | (1) |
| 58 | | 700-00877 | E_SCREW | (1) |
| 59 | | 700-00735 | NEEDLE GUARD | (1) |
| 60 | | 700-00304 | FIXED PLATE | (1) |
| 61 | | 700-00538 | E_SCREW | (1) |
| 62 | | 700-00500 | E_SCREW | (1) |
| 63 | | 401-59856 | THREAD GUIDE PLATE | (1) |
| 64 | | 401-69857 | PRESSER FOOT ASM. | 1 |
| 65 | | 401-59853 | PRESSER FOOT | (1) |
| 66 | | 401-72524 | STITCH TONGUE | (1) |
| 67 | | 700-00862 | REAR PRESSER FOOT | (1) |
| 68 | | 700-00859 | PRESSER FOOT HINGE | (1) |
| 69 | | 700-00860 | SPRING | (1) |
| 70 | | 700-00861 | CURL GUARD | (1) |
| 71 | | 700-00879 | E_SCREW | (1) |
| 72 | | 401-59855 | E_SCREW | (1) |
| 73 | | 700-00505 | E_SCREW | (1) |
| 74 | | 700-00877 | E_SCREW | (1) |
| 75 | | 700-00735 | NEEDLE GUARD | (1) |
| 76 | | 700-00304 | FIXED PLATE | (1) |
| 77 | | 700-00538 | E_SCREW | (1) |
| 78 | | 700-00500 | E_SCREW | (1) |
| 79 | | 401-59856 | THREAD GUIDE PLATE | (1) |

30. MO-6800S GAUGE TABLE PRESSER FOOT COMPONENTS (2)



| REF.NO | NOTE | PART NO | DESCRIPTION | Qty |
|--------|------|-----------|-------------------------|-----|
| 1 | | 401-59849 | PRESSER FOOT ASM. | 1 |
| 2 | | 401-59597 | PRESSER FOOT | (1) |
| 3 | | 700-00480 | THREAD GUIDE PLATE | (1) |
| 4 | | 700-00505 | E_SCREW | (1) |
| 5 | | 401-59567 | NUT | (1) |
| 6 | | 700-00609 | SPRING | (1) |
| 7 | | 401-59595 | REAR PRESSER FOOT | (1) |
| 8 | | 700-00496 | E_SCREW | (1) |
| 9 | | 401-59596 | PRESSER FOOT HINGE | (1) |
| 10 | | 700-00537 | E_SCREW | (1) |
| 11 | | 700-00499 | E_SCREW | (1) |
| 12 | | 700-00735 | NEEDLE GUARD | (1) |
| 13 | | 700-00538 | E_SCREW | (1) |
| 14 | | 700-00500 | E_SCREW | (1) |
| 15 | | 401-59569 | SPRING | (1) |
| 16 | | 401-64021 | PRESSER FOOT ASM. | 1 |
| 17 | | 401-64022 | PRESSER FOOT | (1) |
| 18 | | 401-64024 | STITCH TONGUE | (1) |
| 19 | | 401-64026 | REAR PRESSER FOOT | (1) |
| 20 | | 401-64025 | SPRING | (1) |
| 21 | | 401-64027 | PRESSER FOOT HINGE | (1) |
| 22 | | 401-64041 | FINGER GUARD | (1) |
| 23 | | 700-00500 | E_SCREW | (1) |
| 24 | | 700-00496 | E_SCREW | (1) |
| 25 | | 700-00558 | E_SCREW | (1) |
| 26 | | 700-00505 | E_SCREW | (1) |
| 27 | | 700-00538 | E_SCREW | (1) |
| 28 | | 700-00500 | E_SCREW | (1) |
| 29 | | 401-64028 | PRESSER FOOT ARM SPRING | (1) |
| 30 | | 401-64053 | PRESSER FOOT 514_30P | (1) |
| 31 | | 401-59850 | PRESSER FOOT ASM. | 1 |
| 32 | | 401-59598 | PRESSER FOOT | (1) |
| 33 | | 700-00480 | THREAD GUIDE PLATE | (1) |
| 34 | | 700-00505 | E_SCREW | (1) |
| 35 | | 401-59567 | NUT | (1) |
| 36 | | 700-00609 | SPRING | (1) |
| 37 | | 401-59599 | REAR PRESSER FOOT | (1) |
| 38 | | 700-00496 | E_SCREW | (1) |
| 39 | | 401-59609 | PRESSER FOOT HINGE | (1) |
| 40 | | 700-00537 | E_SCREW | (1) |
| 41 | | 700-00499 | E_SCREW | (1) |
| 42 | | 700-00735 | NEEDLE GUARD | (1) |
| 43 | | 700-00538 | E_SCREW | (1) |
| 44 | | 700-00500 | E_SCREW | (1) |
| 45 | | 401-59569 | SPRING | (1) |

31. MO-6800S GAUGE TABLE PRESSER FOOT COMPONENTS (3)



| REF.NO | NOTE | PART NO | DESCRIPTION | Qty |
|--------|------|-----------|-------------------------|-----|
| 1 | | 401-78595 | PRESSER FOOT ASM. | 1 |
| 2 | | 401-64029 | PRESSER FOOT ASM. | 1 |
| 3 | | 401-64030 | PRESSER FOOT | (1) |
| 4 | | 401-64032 | STITCH TONGUE | (1) |
| 5 | | 401-64039 | HINGE SCREW | (1) |
| 6 | | 401-64037 | SPRING | (1) |
| 7 | | 401-64031 | REAR PRESSER FOOT | (1) |
| 8 | | 700-00505 | E_SCREW | (1) |
| 9 | | 700-00538 | E_SCREW | (1) |
| 10 | | 401-64034 | FINGER GUARD | (1) |
| 11 | | 401-59855 | E_SCREW | (1) |
| 12 | | 401-64036 | SPRING | (1) |
| 13 | | 401-64038 | PRESSER FOOT HINGE | (1) |
| 14 | | 700-00500 | E_SCREW | (1) |
| 15 | | 401-64033 | PRESSER FOOT ARM SPRING | (1) |
| 16 | | 401-64035 | PRESSER FOOT | (1) |
| 17 | | 401-64043 | NUT | (1) |
| 18 | | 401-64042 | PIN | (1) |
| 19 | | 401-59848 | PRESSER FOOT ASM. | 1 |
| 20 | | 401-59594 | PRESSER FOOT | (1) |
| 21 | | 700-00480 | THREAD GUIDE PLATE | (1) |
| 22 | | 700-00505 | E_SCREW | (1) |
| 23 | | 401-59567 | NUT | (1) |
| 24 | | 700-00609 | SPRING | (1) |
| 25 | | 401-59595 | REAR PRESSER FOOT | (1) |
| 26 | | 700-00496 | E_SCREW | (1) |
| 27 | | 401-59596 | PRESSER FOOT HINGE | (1) |
| 28 | | 700-00537 | E_SCREW | (1) |
| 29 | | 700-00499 | E_SCREW | (1) |
| 30 | | 700-00735 | NEEDLE GUARD | (1) |
| 31 | | 700-00538 | E_SCREW | (1) |
| 32 | | 700-00500 | E_SCREW | (1) |
| 33 | | 401-59569 | SPRING | (1) |
| 34 | | 401-59847 | PRESSER FOOT ASM. | 1 |
| 35 | | 401-59566 | PRESSER FOOT | (1) |
| 36 | | 700-00480 | THREAD GUIDE PLATE | (1) |
| 37 | | 700-00505 | E_SCREW | (1) |
| 38 | | 401-59567 | NUT | (1) |
| 39 | | 700-00609 | SPRING | (1) |
| 40 | | 401-59568 | REAR PRESSER FOOT | (1) |
| 41 | | 700-00496 | E_SCREW | (1) |
| 42 | | 401-59609 | PRESSER FOOT HINGE | (1) |
| 43 | | 700-00537 | E_SCREW | (1) |
| 44 | | 700-00499 | E_SCREW | (1) |
| 45 | | 700-00735 | NEEDLE GUARD | (1) |
| 46 | | 700-00538 | E_SCREW | (1) |
| 47 | | 700-00500 | E_SCREW | (1) |
| 48 | | 401-59569 | SPRING | (1) |
| 49 | | 401-59845 | PRESSER FOOT ASM. | 1 |
| 50 | | 401-59541 | PRESSER FOOT | (1) |
| 51 | | 401-59542 | PRESSER FOOT HINGE | (1) |
| 52 | | 401-59543 | REAR PRESSER FOOT | (1) |
| 53 | | 401-59544 | SPRING | (1) |
| 54 | | 401-59545 | SPRING | (1) |
| 55 | | 401-59546 | THREAD GUIDE PLATE | (1) |
| 56 | | 700-00877 | E_SCREW | (1) |
| 57 | | 700-00496 | E_SCREW | (1) |
| 58 | | 700-00537 | E_SCREW | (1) |
| 59 | | 700-00505 | E_SCREW | (1) |
| 60 | | 700-00735 | NEEDLE GUARD | (1) |
| 61 | | 700-00500 | E_SCREW | (1) |
| 62 | | 700-00538 | E_SCREW | (1) |

NUMERICAL INDEX OF PARTS

| PART NO | PAGE | REF NO | PART NO | PAGE | REF NO | PART NO | PAGE | REF NO | PART NO | PAGE | REF NO |
|--------------|------|--------|-----------|------|--------|-----------|------|--------|-----------|------|--------|
| ***** | 2 | 6 | 401-59578 | 6 | 13 | 401-59652 | 12 | 48 | 401-59764 | 30 | 32 |
| ***** | 6 | 25 | 401-59579 | 6 | 11 | 401-59653 | 12 | 54 | 401-59765 | 30 | 50 |
| ***** | 12 | 31 | 401-59580 | 6 | 18 | 401-59654 | 12 | 55 | 401-59765 | 30 | 53 |
| ***** | 12 | 32 | 401-59581 | 6 | 19 | 401-59655 | 12 | 56 | 401-59768 | 32 | 4 |
| ***** | 12 | 33 | 401-59585 | 6 | 26 | 401-59656 | 12 | 100 | 401-59769 | 32 | 5 |
| ***** | 12 | 40 | 401-59586 | 6 | 32 | 401-59657 | 12 | 104 | 401-59770 | 32 | 6 |
| ***** | 12 | 41 | 401-59587 | 6 | 33 | 401-59658 | 10 | 32 | 401-59771 | 32 | 7 |
| ***** | 12 | 42 | 401-59589 | 6 | 42 | 401-59665 | 14 | 74 | 401-59772 | 32 | 1 |
| ***** | 12 | 62 | 401-59590 | 6 | 30 | 401-59666 | 14 | 70 | 401-59773 | 32 | 12 |
| ***** | 14 | 56 | 401-59591 | 6 | 38 | 401-59667 | 14 | 78 | 401-59774 | 32 | 9 |
| ***** | 24 | 1 | 401-59592 | 6 | 39 | 401-59670 | 14 | 57 | 401-59775 | 32 | 2 |
| ***** | 24 | 49 | 401-59593 | 6 | 27 | 401-59671 | 14 | 29 | 401-59776 | 32 | 8 |
| ***** | 24 | 50 | 401-59594 | 62 | 20 | 401-59672 | 14 | 30 | 401-59777 | 32 | 11 |
| ***** | 28 | 54 | 401-59595 | 60 | 7 | 401-59673 | 14 | 35 | 401-59778 | 32 | 10 |
| ***** | 28 | 55 | 401-59595 | 62 | 25 | 401-59674 | 14 | 34 | 401-59779 | 32 | 13 |
| | | | 401-59596 | 60 | 9 | 401-59675 | 14 | 14 | 401-59780 | 42 | 10 |
| MDC-270B0800 | 46 | 22 | 401-59596 | 62 | 27 | 401-59676 | 14 | 72 | 401-59781 | 42 | 11 |
| MDC-270B0900 | 46 | 23 | 401-59597 | 60 | 2 | 401-59676 | 24 | 33 | 401-59785 | 46 | 2 |
| MDC-270B1100 | 46 | 21 | 401-59598 | 60 | 32 | 401-59677 | 14 | 73 | 401-59787 | 46 | 16 |
| MDC-270B1400 | 46 | 24 | 401-59599 | 60 | 37 | 401-59678 | 14 | 10 | 401-59788 | 46 | 17 |
| MDC-270B1600 | 46 | 25 | 401-59603 | 8 | 47 | 401-59679 | 14 | 36 | 401-59789 | 46 | 10 |
| MDC-270B2100 | 46 | 26 | 401-59604 | 8 | 3 | 401-59680 | 14 | 37 | 401-59790 | 46 | 11 |
| | | | 401-59605 | 8 | 4 | 401-59681 | 14 | 15 | 401-59791 | 46 | 12 |
| 401-59532 | 2 | 24 | 401-59606 | 8 | 1 | 401-59682 | 14 | 16 | 401-59792 | 46 | 15 |
| 401-59533 | 2 | 25 | 401-59607 | 8 | 2 | 401-59683 | 14 | 61 | 401-59793 | 46 | 9 |
| 401-59534 | 2 | 3 | 401-59608 | 8 | 12 | 401-59684 | 14 | 8 | 401-59794 | 46 | 7 |
| 401-59537 | 2 | 26 | 401-59609 | 60 | 39 | 401-59684 | 16 | 22 | 401-59795 | 46 | 8 |
| 401-59538 | 2 | 27 | 401-59609 | 62 | 42 | 401-59686 | 14 | 1 | 401-59796 | 46 | 6 |
| 401-59539 | 2 | 28 | 401-59613 | 54 | 24 | 401-59687 | 14 | 2 | 401-59810 | 50 | 4 |
| 401-59540 | 2 | 29 | 401-59615 | 10 | 1 | 401-59689 | 16 | 17 | 401-59811 | 50 | 12 |
| 401-59541 | 62 | 50 | 401-59617 | 10 | 8 | 401-59690 | 16 | 35 | 401-59812 | 50 | 15 |
| 401-59542 | 62 | 51 | 401-59618 | 10 | 7 | 401-59692 | 16 | 1 | 401-59813 | 50 | 13 |
| 401-59543 | 62 | 52 | 401-59619 | 10 | 21 | 401-59693 | 16 | 16 | 401-59814 | 50 | 14 |
| 401-59544 | 62 | 53 | 401-59620 | 10 | 30 | 401-59694 | 16 | 2 | 401-59815 | 50 | 7 |
| 401-59545 | 62 | 54 | 401-59623 | 10 | 36 | 401-59700 | 22 | 25 | 401-59817 | 50 | 6 |
| 401-59546 | 62 | 55 | 401-59624 | 12 | 90 | 401-59701 | 22 | 27 | 401-59817 | 56 | 72 |
| 401-59547 | 58 | 49 | 401-59624 | 12 | 96 | 401-59702 | 22 | 16 | 401-59817 | 56 | 73 |
| 401-59548 | 58 | 50 | 401-59624 | 12 | 103 | 401-59703 | 22 | 17 | 401-59817 | 56 | 74 |
| 401-59549 | 58 | 54 | 401-59625 | 12 | 65 | 401-59703 | 28 | 27 | 401-59817 | 56 | 75 |
| 401-59551 | 4 | 31 | 401-59626 | 12 | 60 | 401-59704 | 22 | 18 | 401-59817 | 56 | 77 |
| 401-59552 | 4 | 18 | 401-59627 | 12 | 74 | 401-59704 | 28 | 30 | 401-59817 | 58 | 48 |
| 401-59553 | 4 | 19 | 401-59628 | 12 | 58 | 401-59705 | 22 | 19 | 401-59820 | 56 | 18 |
| 401-59554 | 4 | 20 | 401-59629 | 12 | 27 | 401-59706 | 22 | 20 | 401-59820 | 56 | 19 |
| 401-59555 | 4 | 9 | 401-59629 | 22 | 38 | 401-59707 | 22 | 1 | 401-59821 | 56 | 28 |
| 401-59556 | 4 | 8 | 401-59630 | 12 | 53 | 401-59709 | 22 | 32 | 401-59821 | 56 | 29 |
| 401-59557 | 4 | 1 | 401-59631 | 12 | 75 | 401-59715 | 14 | 76 | 401-59821 | 56 | 32 |
| 401-59558 | 4 | 13 | 401-59632 | 12 | 78 | 401-59715 | 24 | 35 | 401-59821 | 56 | 33 |
| 401-59559 | 4 | 14 | 401-59632 | 12 | 88 | 401-59716 | 24 | 15 | 401-59821 | 56 | 121 |
| 401-59560 | 4 | 15 | 401-59632 | 12 | 94 | 401-59717 | 24 | 13 | 401-59822 | 56 | 20 |
| 401-59561 | 4 | 17 | 401-59632 | 12 | 101 | 401-59718 | 24 | 56 | 401-59822 | 56 | 21 |
| 401-59562 | 4 | 6 | 401-59632 | 12 | 109 | 401-59719 | 24 | 57 | 401-59822 | 56 | 22 |
| 401-59563 | 4 | 7 | 401-59633 | 12 | 83 | 401-59725 | 54 | 44 | 401-59822 | 56 | 23 |
| 401-59563 | 44 | 10 | 401-59634 | 12 | 79 | 401-59726 | 26 | 26 | 401-59822 | 56 | 24 |
| 401-59564 | 4 | 10 | 401-59634 | 12 | 89 | 401-59727 | 26 | 19 | 401-59822 | 56 | 25 |
| 401-59565 | 4 | 11 | 401-59634 | 12 | 95 | 401-59728 | 26 | 18 | 401-59822 | 56 | 26 |
| 401-59566 | 62 | 35 | 401-59634 | 12 | 102 | 401-59729 | 26 | 16 | 401-59823 | 56 | 34 |
| 401-59567 | 60 | 5 | 401-59634 | 12 | 110 | 401-59732 | 26 | 17 | 401-59824 | 56 | 51 |
| 401-59567 | 60 | 35 | 401-59636 | 12 | 81 | 401-59734 | 26 | 10 | 401-59825 | 56 | 2 |
| 401-59567 | 62 | 23 | 401-59636 | 12 | 91 | 401-59741 | 28 | 3 | 401-59826 | 56 | 17 |
| 401-59567 | 62 | 38 | 401-59636 | 12 | 97 | 401-59742 | 28 | 4 | 401-59827 | 56 | 1 |
| 401-59568 | 62 | 40 | 401-59636 | 12 | 105 | 401-59743 | 28 | 7 | 401-59828 | 56 | 3 |
| 401-59569 | 60 | 15 | 401-59636 | 12 | 112 | 401-59744 | 28 | 5 | 401-59828 | 56 | 4 |
| 401-59569 | 60 | 45 | 401-59640 | 12 | 77 | 401-59745 | 28 | 1 | 401-59828 | 56 | 5 |
| 401-59569 | 62 | 33 | 401-59641 | 12 | 87 | 401-59746 | 28 | 2 | 401-59829 | 56 | 6 |
| 401-59569 | 62 | 48 | 401-59642 | 12 | 93 | 401-59748 | 28 | 31 | 401-59829 | 56 | 7 |
| 401-59572 | 6 | 3 | 401-59642 | 12 | 99 | 401-59749 | 28 | 26 | 401-59829 | 56 | 8 |
| 401-59572 | 6 | 4 | 401-59643 | 12 | 107 | 401-59750 | 28 | 33 | 401-59829 | 56 | 9 |
| 401-59573 | 6 | 2 | 401-59644 | 12 | 76 | 401-59751 | 28 | 42 | 401-59830 | 56 | 11 |
| 401-59574 | 6 | 8 | 401-59645 | 12 | 1 | 401-59752 | 28 | 38 | 401-59831 | 56 | 120 |
| 401-59574 | 50 | 2 | 401-59646 | 12 | 10 | 401-59753 | 28 | 10 | 401-59832 | 56 | 16 |
| 401-59575 | 6 | 7 | 401-59647 | 12 | 16 | 401-59754 | 28 | 35 | 401-59833 | 56 | 15 |
| 401-59576 | 6 | 6 | 401-59648 | 12 | 18 | 401-59760 | 30 | 8 | 401-59834 | 56 | 12 |
| 401-59576 | 50 | 3 | 401-59649 | 12 | 64 | 401-59761 | 30 | 26 | 401-59836 | 56 | 52 |
| 401-59576 | 50 | 11 | 401-59650 | 12 | 6 | 401-59762 | 30 | 23 | 401-59836 | 56 | 53 |
| 401-59577 | 6 | 5 | 401-59651 | 12 | 17 | 401-59763 | 30 | 39 | 401-59837 | 56 | 54 |

NUMERICAL INDEX OF PARTS

| PART NO | PAGE | REF NO | PART NO | PAGE | REF NO | PART NO | PAGE | REF NO | PART NO | PAGE | REF NO |
|-----------|------|--------|-----------|------|--------|-----------|------|--------|-----------|------|--------|
| 401-59837 | 56 | 55 | 401-64036 | 52 | 35 | 401-78594 | 56 | 13 | 700-00098 | 50 | 16 |
| 401-59837 | 56 | 56 | 401-64036 | 62 | 12 | 401-78595 | 54 | 41 | 700-00130 | 8 | 14 |
| 401-59837 | 56 | 57 | 401-64037 | 52 | 30 | 401-78595 | 56 | 81 | 700-00131 | 22 | 14 |
| 401-59837 | 56 | 58 | 401-64037 | 62 | 6 | 401-78595 | 62 | 1 | 700-00131 | 22 | 56 |
| 401-59837 | 56 | 59 | 401-64038 | 52 | 36 | 401-78596 | 46 | 27 | 700-00131 | 28 | 32 |
| 401-59837 | 56 | 60 | 401-64038 | 62 | 13 | 401-78596 | 54 | 49 | 700-00132 | 24 | 58 |
| 401-59838 | 56 | 62 | 401-64039 | 52 | 29 | 401-78597 | 54 | 38 | 700-00133 | 24 | 14 |
| 401-59839 | 56 | 63 | 401-64039 | 62 | 5 | 401-78597 | 56 | 30 | 700-00134 | 10 | 18 |
| 401-59839 | 56 | 66 | 401-64041 | 60 | 22 | 401-78598 | 54 | 39 | 700-00135 | 24 | 23 |
| 401-59839 | 56 | 67 | 401-64042 | 52 | 27 | 401-78598 | 56 | 47 | 700-00136 | 6 | 12 |
| 401-59839 | 56 | 123 | 401-64042 | 62 | 18 | 401-78599 | 54 | 40 | 700-00137 | 22 | 53 |
| 401-59840 | 56 | 68 | 401-64043 | 52 | 23 | 401-78599 | 56 | 64 | 700-00138 | 24 | 20 |
| 401-59841 | 56 | 118 | 401-64043 | 62 | 17 | 401-78600 | 54 | 48 | 700-00139 | 18 | 2 |
| 401-59842 | 56 | 70 | 401-64044 | 52 | 7 | 401-78605 | 54 | 3 | 700-00140 | 22 | 2 |
| 401-59842 | 58 | 17 | 401-64044 | 56 | 61 | 401-78606 | 54 | 6 | 700-00141 | 10 | 35 |
| 401-59843 | 56 | 76 | 401-64045 | 52 | 8 | 401-78607 | 54 | 7 | 700-00141 | 24 | 25 |
| 401-59843 | 58 | 32 | 401-64045 | 56 | 65 | 401-78608 | 54 | 14 | 700-00141 | 28 | 6 |
| 401-59844 | 56 | 69 | 401-64048 | 52 | 1 | 401-78609 | 54 | 8 | 700-00141 | 28 | 16 |
| 401-59844 | 58 | 1 | 401-64049 | 52 | 2 | 401-78610 | 54 | 33 | 700-00142 | 28 | 8 |
| 401-59845 | 56 | 85 | 401-64049 | 56 | 10 | 401-78611 | 54 | 28 | 700-00142 | 28 | 11 |
| 401-59845 | 62 | 49 | 401-64049 | 56 | 14 | 401-78612 | 54 | 30 | 700-00143 | 8 | 34 |
| 401-59847 | 56 | 84 | 401-64050 | 52 | 4 | 401-78613 | 54 | 29 | 700-00144 | 30 | 15 |
| 401-59847 | 62 | 34 | 401-64050 | 56 | 27 | 401-78615 | 54 | 43 | 700-00145 | 8 | 19 |
| 401-59848 | 56 | 83 | 401-64051 | 52 | 6 | 401-78616 | 54 | 18 | 700-00145 | 8 | 32 |
| 401-59848 | 62 | 19 | 401-64052 | 52 | 5 | 401-78617 | 54 | 47 | 700-00146 | 30 | 33 |
| 401-59849 | 56 | 80 | 401-64052 | 56 | 31 | 401-79483 | 34 | 1 | 700-00147 | 24 | 19 |
| 401-59849 | 56 | 124 | 401-64053 | 52 | 13 | 401-79484 | 36 | 1 | 700-00148 | 30 | 51 |
| 401-59849 | 60 | 1 | 401-64053 | 60 | 30 | 401-79485 | 38 | 1 | 700-00148 | 30 | 52 |
| 401-59850 | 56 | 79 | 401-64055 | 52 | 3 | 401-79486 | 40 | 1 | 700-00149 | 8 | 35 |
| 401-59850 | 60 | 31 | 401-64055 | 56 | 111 | 401-79596 | 14 | 3 | 700-00151 | 24 | 53 |
| 401-59851 | 58 | 18 | 401-64056 | 12 | 113 | 401-79596 | 16 | 18 | 700-00152 | 24 | 54 |
| 401-59852 | 58 | 19 | 401-64056 | 52 | 9 | 401-79597 | 14 | 4 | 700-00157 | 30 | 24 |
| 401-59853 | 58 | 2 | 401-69857 | 56 | 71 | 401-79597 | 14 | 5 | 700-00158 | 30 | 25 |
| 401-59853 | 58 | 33 | 401-69857 | 58 | 64 | 401-79597 | 16 | 20 | 700-00159 | 30 | 28 |
| 401-59853 | 58 | 65 | 401-70670 | 28 | 12 | 401-79597 | 16 | 21 | 700-00160 | 30 | 27 |
| 401-59854 | 58 | 34 | 401-71278 | 46 | 28 | 401-79600 | 54 | 27 | 700-00161 | 6 | 14 |
| 401-59855 | 52 | 34 | 401-72524 | 58 | 66 | 402-16747 | 44 | 4 | 700-00162 | 22 | 33 |
| 401-59855 | 58 | 9 | 401-72525 | 2 | 4 | 402-16748 | 44 | 6 | 700-00164 | 12 | 7 |
| 401-59855 | 58 | 40 | 401-72527 | 12 | 39 | 402-16751 | 44 | 8 | 700-00168 | 12 | 22 |
| 401-59855 | 58 | 56 | 401-72528 | 26 | 11 | 402-16752 | 44 | 9 | 700-00169 | 12 | 19 |
| 401-59855 | 58 | 72 | 401-72529 | 26 | 12 | 402-16753 | 44 | 11 | 700-00171 | 12 | 13 |
| 401-59855 | 62 | 11 | 401-72530 | 28 | 46 | 402-16754 | 44 | 12 | 700-00172 | 20 | 2 |
| 401-59856 | 58 | 16 | 401-72531 | 28 | 56 | 402-16755 | 44 | 13 | 700-00173 | 12 | 3 |
| 401-59856 | 58 | 47 | 401-72535 | 14 | 25 | 402-16756 | 44 | 14 | 700-00174 | 12 | 11 |
| 401-59856 | 58 | 63 | 401-76583 | 14 | 38 | 402-32945 | 48 | 2 | 700-00175 | 16 | 10 |
| 401-59856 | 58 | 79 | 401-77859 | 14 | 75 | 402-35212 | 2 | 23 | 700-00176 | 28 | 50 |
| 401-59857 | 58 | 3 | 401-78003 | 26 | 9 | 402-35213 | 2 | 30 | 700-00177 | 38 | 37 |
| 401-64011 | 8 | 45 | 401-78005 | 28 | 57 | 402-35214 | 2 | 31 | 700-00177 | 40 | 40 |
| 401-64012 | 8 | 44 | 401-78006 | 28 | 44 | 402-35215 | 6 | 16 | 700-00178 | 34 | 35 |
| 401-64021 | 52 | 10 | 401-78007 | 28 | 45 | 402-35216 | 6 | 17 | 700-00178 | 36 | 37 |
| 401-64021 | 56 | 78 | 401-78084 | 14 | 6 | 402-35217 | 6 | 21 | 700-00179 | 34 | 2 |
| 401-64021 | 60 | 16 | 401-78084 | 16 | 19 | 402-35218 | 6 | 22 | 700-00179 | 36 | 2 |
| 401-64022 | 60 | 17 | 401-78548 | 12 | 82 | 402-35219 | 6 | 43 | 700-00179 | 38 | 2 |
| 401-64024 | 52 | 12 | 401-78549 | 12 | 98 | 402-35220 | 8 | 23 | 700-00179 | 40 | 2 |
| 401-64024 | 60 | 18 | 401-78549 | 12 | 106 | 402-35221 | 8 | 29 | 700-00180 | 34 | 3 |
| 401-64025 | 60 | 20 | 401-78550 | 12 | 92 | 402-35222 | 8 | 24 | 700-00180 | 36 | 3 |
| 401-64026 | 52 | 14 | 401-78550 | 12 | 108 | 402-35223 | 8 | 26 | 700-00180 | 38 | 3 |
| 401-64026 | 60 | 19 | 401-78574 | 54 | 1 | 402-35224 | 8 | 27 | 700-00180 | 40 | 3 |
| 401-64027 | 52 | 15 | 401-78575 | 54 | 2 | 402-35225 | 8 | 28 | 700-00181 | 34 | 4 |
| 401-64027 | 60 | 21 | 401-78576 | 54 | 4 | 402-35226 | 8 | 22 | 700-00181 | 36 | 4 |
| 401-64028 | 52 | 21 | 401-78577 | 54 | 9 | 402-35227 | 30 | 1 | 700-00181 | 38 | 4 |
| 401-64028 | 60 | 29 | 401-78578 | 54 | 11 | 402-35229 | 30 | 2 | 700-00181 | 40 | 4 |
| 401-64029 | 52 | 22 | 401-78579 | 54 | 12 | 402-35230 | 30 | 6 | 700-00182 | 34 | 5 |
| 401-64029 | 56 | 82 | 401-78580 | 54 | 13 | 402-35231 | 30 | 14 | 700-00182 | 36 | 5 |
| 401-64029 | 62 | 2 | 401-78581 | 54 | 19 | 402-35232 | 30 | 7 | 700-00182 | 38 | 5 |
| 401-64030 | 62 | 3 | 401-78582 | 54 | 22 | 402-35233 | 30 | 9 | 700-00182 | 40 | 5 |
| 401-64031 | 62 | 7 | 401-78583 | 54 | 20 | 402-35234 | 30 | 11 | 700-00182 | 40 | 35 |
| 401-64032 | 52 | 28 | 401-78584 | 54 | 15 | 402-35235 | 48 | 1 | 700-00183 | 34 | 6 |
| 401-64032 | 62 | 4 | 401-78585 | 54 | 36 | 402-35238 | 48 | 3 | 700-00183 | 36 | 6 |
| 401-64033 | 52 | 25 | 401-78586 | 54 | 26 | 402-35240 | 44 | 1 | 700-00183 | 38 | 6 |
| 401-64033 | 62 | 15 | 401-78587 | 54 | 34 | 402-35245 | 32 | 17 | 700-00183 | 40 | 6 |
| 401-64034 | 52 | 33 | 401-78588 | 54 | 31 | 402-35247 | 46 | 1 | 700-00183 | 40 | 34 |
| 401-64034 | 62 | 10 | 401-78592 | 54 | 42 | 402-35250 | 2 | 32 | 700-00184 | 36 | 7 |
| 401-64035 | 52 | 24 | 401-78592 | 56 | 98 | 402-49102 | 48 | 5 | 700-00184 | 38 | 7 |
| 401-64035 | 62 | 16 | 401-78594 | 54 | 37 | | | | 700-00185 | 36 | 8 |

NUMERICAL INDEX OF PARTS

| PART NO | PAGE | REF NO | PART NO | PAGE | REF NO | PART NO | PAGE | REF NO | PART NO | PAGE | REF NO |
|-----------|------|--------|-----------|------|--------|-----------|------|--------|-----------|------|--------|
| 700-00185 | 38 | 8 | 700-00238 | 56 | 101 | 700-00342 | 14 | 64 | 700-00413 | 16 | 25 |
| 700-00186 | 34 | 7 | 700-00238 | 56 | 125 | 700-00343 | 16 | 33 | 700-00414 | 16 | 37 |
| 700-00186 | 36 | 9 | 700-00239 | 14 | 24 | 700-00344 | 22 | 3 | 700-00415 | 16 | 24 |
| 700-00186 | 38 | 9 | 700-00240 | 14 | 22 | 700-00345 | 22 | 4 | 700-00416 | 16 | 36 |
| 700-00186 | 40 | 7 | 700-00241 | 14 | 26 | 700-00346 | 18 | 4 | 700-00422 | 24 | 39 |
| 700-00187 | 40 | 8 | 700-00243 | 14 | 28 | 700-00346 | 18 | 37 | 700-00423 | 24 | 40 |
| 700-00188 | 34 | 8 | 700-00246 | 14 | 63 | 700-00346 | 24 | 46 | 700-00428 | 30 | 20 |
| 700-00188 | 36 | 10 | 700-00247 | 14 | 62 | 700-00347 | 26 | 14 | 700-00429 | 24 | 41 |
| 700-00188 | 38 | 10 | 700-00248 | 14 | 39 | 700-00348 | 42 | 12 | 700-00430 | 8 | 31 |
| 700-00188 | 40 | 9 | 700-00251 | 14 | 18 | 700-00349 | 22 | 5 | 700-00431 | 8 | 30 |
| 700-00189 | 34 | 9 | 700-00253 | 14 | 11 | 700-00349 | 28 | 59 | 700-00432 | 10 | 14 |
| 700-00189 | 36 | 11 | 700-00254 | 14 | 9 | 700-00350 | 14 | 55 | 700-00433 | 24 | 17 |
| 700-00189 | 38 | 11 | 700-00257 | 8 | 39 | 700-00350 | 54 | 45 | 700-00433 | 24 | 36 |
| 700-00189 | 40 | 10 | 700-00258 | 30 | 46 | 700-00351 | 18 | 22 | 700-00434 | 26 | 6 |
| 700-00190 | 34 | 10 | 700-00259 | 8 | 38 | 700-00352 | 42 | 15 | 700-00435 | 24 | 16 |
| 700-00190 | 36 | 12 | 700-00260 | 30 | 45 | 700-00353 | 22 | 15 | 700-00436 | 26 | 5 |
| 700-00190 | 38 | 12 | 700-00261 | 30 | 29 | 700-00354 | 34 | 18 | 700-00437 | 10 | 13 |
| 700-00190 | 40 | 11 | 700-00262 | 30 | 30 | 700-00354 | 36 | 14 | 700-00438 | 42 | 3 |
| 700-00191 | 34 | 11 | 700-00263 | 42 | 2 | 700-00354 | 38 | 14 | 700-00443 | 2 | 5 |
| 700-00191 | 36 | 35 | 700-00264 | 42 | 1 | 700-00354 | 40 | 13 | 700-00445 | 10 | 34 |
| 700-00191 | 38 | 35 | 700-00265 | 42 | 6 | 700-00355 | 28 | 34 | 700-00446 | 24 | 12 |
| 700-00191 | 40 | 38 | 700-00266 | 10 | 11 | 700-00356 | 24 | 29 | 700-00448 | 20 | 23 |
| 700-00192 | 34 | 12 | 700-00267 | 10 | 10 | 700-00356 | 48 | 4 | 700-00449 | 8 | 43 |
| 700-00192 | 36 | 13 | 700-00268 | 14 | 42 | 700-00357 | 18 | 5 | 700-00450 | 22 | 9 |
| 700-00192 | 38 | 13 | 700-00269 | 26 | 3 | 700-00358 | 22 | 57 | 700-00452 | 4 | 25 |
| 700-00192 | 40 | 12 | 700-00270 | 16 | 29 | 700-00359 | 20 | 5 | 700-00452 | 20 | 20 |
| 700-00193 | 14 | 32 | 700-00270 | 18 | 28 | 700-00359 | 50 | 10 | 700-00452 | 50 | 9 |
| 700-00194 | 14 | 51 | 700-00273 | 30 | 34 | 700-00360 | 44 | 5 | 700-00453 | 4 | 24 |
| 700-00195 | 14 | 53 | 700-00275 | 22 | 29 | 700-00361 | 24 | 10 | 700-00454 | 34 | 19 |
| 700-00196 | 14 | 59 | 700-00276 | 22 | 28 | 700-00362 | 10 | 17 | 700-00454 | 34 | 32 |
| 700-00197 | 14 | 45 | 700-00277 | 22 | 34 | 700-00363 | 2 | 1 | 700-00454 | 34 | 33 |
| 700-00198 | 14 | 46 | 700-00280 | 24 | 11 | 700-00365 | 2 | 2 | 700-00454 | 34 | 34 |
| 700-00199 | 16 | 15 | 700-00282 | 22 | 40 | 700-00368 | 4 | 2 | 700-00454 | 36 | 15 |
| 700-00200 | 14 | 52 | 700-00283 | 22 | 55 | 700-00369 | 22 | 23 | 700-00454 | 36 | 26 |
| 700-00201 | 14 | 50 | 700-00284 | 22 | 52 | 700-00370 | 22 | 22 | 700-00454 | 36 | 29 |
| 700-00202 | 14 | 44 | 700-00286 | 22 | 54 | 700-00372 | 22 | 6 | 700-00454 | 36 | 30 |
| 700-00203 | 12 | 84 | 700-00288 | 22 | 43 | 700-00373 | 22 | 7 | 700-00454 | 38 | 15 |
| 700-00211 | 12 | 80 | 700-00289 | 22 | 42 | 700-00374 | 24 | 4 | 700-00454 | 38 | 26 |
| 700-00211 | 12 | 111 | 700-00291 | 28 | 39 | 700-00375 | 24 | 5 | 700-00454 | 38 | 29 |
| 700-00213 | 12 | 85 | 700-00292 | 28 | 20 | 700-00379 | 22 | 8 | 700-00454 | 38 | 30 |
| 700-00215 | 34 | 13 | 700-00293 | 28 | 17 | 700-00380 | 16 | 6 | 700-00454 | 40 | 14 |
| 700-00215 | 36 | 34 | 700-00294 | 28 | 22 | 700-00380 | 18 | 24 | 700-00454 | 40 | 25 |
| 700-00215 | 38 | 34 | 700-00295 | 28 | 23 | 700-00381 | 30 | 35 | 700-00454 | 40 | 28 |
| 700-00215 | 40 | 33 | 700-00297 | 28 | 47 | 700-00382 | 30 | 36 | 700-00454 | 40 | 29 |
| 700-00216 | 34 | 14 | 700-00301 | 28 | 41 | 700-00383 | 20 | 22 | 700-00455 | 34 | 20 |
| 700-00216 | 36 | 33 | 700-00302 | 28 | 40 | 700-00384 | 20 | 9 | 700-00455 | 36 | 16 |
| 700-00216 | 38 | 33 | 700-00303 | 28 | 51 | 700-00385 | 20 | 25 | 700-00455 | 38 | 16 |
| 700-00216 | 40 | 32 | 700-00304 | 58 | 13 | 700-00386 | 20 | 24 | 700-00455 | 40 | 15 |
| 700-00217 | 34 | 15 | 700-00304 | 58 | 29 | 700-00387 | 20 | 6 | 700-00456 | 34 | 21 |
| 700-00217 | 36 | 32 | 700-00304 | 58 | 44 | 700-00388 | 20 | 16 | 700-00456 | 36 | 23 |
| 700-00217 | 38 | 32 | 700-00304 | 58 | 60 | 700-00389 | 20 | 17 | 700-00456 | 38 | 23 |
| 700-00217 | 40 | 31 | 700-00304 | 58 | 76 | 700-00390 | 20 | 18 | 700-00456 | 40 | 22 |
| 700-00218 | 34 | 16 | 700-00309 | 28 | 13 | 700-00391 | 20 | 11 | 700-00458 | 24 | 30 |
| 700-00218 | 36 | 28 | 700-00312 | 30 | 17 | 700-00392 | 20 | 12 | 700-00458 | 28 | 19 |
| 700-00218 | 38 | 28 | 700-00314 | 8 | 41 | 700-00393 | 20 | 13 | 700-00458 | 28 | 29 |
| 700-00218 | 40 | 27 | 700-00317 | 18 | 3 | 700-00394 | 20 | 14 | 700-00459 | 44 | 7 |
| 700-00219 | 34 | 17 | 700-00317 | 18 | 36 | 700-00395 | 20 | 15 | 700-00460 | 8 | 13 |
| 700-00219 | 36 | 22 | 700-00317 | 24 | 45 | 700-00396 | 20 | 3 | 700-00461 | 18 | 16 |
| 700-00219 | 38 | 22 | 700-00318 | 30 | 41 | 700-00397 | 20 | 1 | 700-00462 | 18 | 18 |
| 700-00219 | 40 | 21 | 700-00322 | 30 | 49 | 700-00398 | 20 | 4 | 700-00463 | 18 | 6 |
| 700-00222 | 6 | 15 | 700-00322 | 30 | 62 | 700-00399 | 26 | 30 | 700-00464 | 18 | 7 |
| 700-00229 | 26 | 13 | 700-00323 | 30 | 10 | 700-00399 | 46 | 20 | 700-00465 | 18 | 15 |
| 700-00230 | 26 | 1 | 700-00323 | 30 | 66 | 700-00400 | 26 | 31 | 700-00466 | 18 | 17 |
| 700-00235 | 26 | 2 | 700-00324 | 30 | 60 | 700-00401 | 26 | 38 | 700-00467 | 18 | 8 |
| 700-00236 | 26 | 8 | 700-00326 | 30 | 21 | 700-00402 | 26 | 28 | 700-00469 | 12 | 44 |
| 700-00237 | 26 | 4 | 700-00328 | 30 | 19 | 700-00403 | 26 | 33 | 700-00470 | 18 | 31 |
| 700-00238 | 56 | 88 | 700-00332 | 42 | 7 | 700-00404 | 4 | 22 | 700-00471 | 18 | 30 |
| 700-00238 | 56 | 89 | 700-00334 | 4 | 5 | 700-00405 | 16 | 12 | 700-00472 | 18 | 35 |
| 700-00238 | 56 | 90 | 700-00335 | 12 | 70 | 700-00406 | 16 | 4 | 700-00473 | 18 | 26 |
| 700-00238 | 56 | 91 | 700-00336 | 12 | 67 | 700-00407 | 16 | 3 | 700-00474 | 18 | 23 |
| 700-00238 | 56 | 92 | 700-00337 | 12 | 66 | 700-00409 | 16 | 32 | 700-00475 | 18 | 20 |
| 700-00238 | 56 | 95 | 700-00338 | 42 | 5 | 700-00410 | 16 | 28 | 700-00476 | 18 | 21 |
| 700-00238 | 56 | 96 | 700-00339 | 42 | 8 | 700-00410 | 16 | 31 | 700-00477 | 18 | 33 |
| 700-00238 | 56 | 99 | 700-00339 | 42 | 22 | 700-00410 | 18 | 34 | 700-00478 | 18 | 9 |
| 700-00238 | 56 | 100 | 700-00340 | 42 | 4 | 700-00410 | 24 | 32 | 700-00479 | 18 | 1 |

NUMERICAL INDEX OF PARTS

| PART NO | PAGE | REF NO | PART NO | PAGE | REF NO | PART NO | PAGE | REF NO | PART NO | PAGE | REF NO |
|-----------|------|--------|-----------|------|--------|-----------|------|--------|-----------|------|--------|
| 700-00480 | 60 | 3 | 700-00508 | 54 | 46 | 700-00537 | 62 | 43 | 700-00580 | 34 | 24 |
| 700-00480 | 60 | 33 | 700-00509 | 24 | 2 | 700-00537 | 62 | 58 | 700-00580 | 34 | 30 |
| 700-00480 | 62 | 21 | 700-00509 | 24 | 51 | 700-00538 | 14 | 31 | 700-00580 | 34 | 31 |
| 700-00480 | 62 | 36 | 700-00510 | 26 | 15 | 700-00538 | 28 | 52 | 700-00580 | 36 | 19 |
| 700-00481 | 6 | 28 | 700-00511 | 16 | 9 | 700-00538 | 52 | 20 | 700-00580 | 36 | 24 |
| 700-00482 | 42 | 16 | 700-00512 | 22 | 13 | 700-00538 | 52 | 32 | 700-00580 | 36 | 25 |
| 700-00483 | 42 | 17 | 700-00513 | 12 | 2 | 700-00538 | 58 | 14 | 700-00580 | 38 | 19 |
| 700-00484 | 42 | 14 | 700-00513 | 12 | 20 | 700-00538 | 58 | 30 | 700-00580 | 38 | 24 |
| 700-00485 | 42 | 18 | 700-00513 | 12 | 86 | 700-00538 | 58 | 45 | 700-00580 | 38 | 25 |
| 700-00490 | 4 | 4 | 700-00513 | 20 | 10 | 700-00538 | 58 | 61 | 700-00580 | 40 | 18 |
| 700-00493 | 4 | 28 | 700-00514 | 18 | 10 | 700-00538 | 58 | 77 | 700-00580 | 40 | 23 |
| 700-00494 | 4 | 27 | 700-00514 | 18 | 38 | 700-00538 | 60 | 13 | 700-00580 | 40 | 24 |
| 700-00495 | 22 | 10 | 700-00514 | 24 | 47 | 700-00538 | 60 | 27 | 700-00581 | 34 | 25 |
| 700-00496 | 52 | 18 | 700-00515 | 2 | 7 | 700-00538 | 60 | 43 | 700-00581 | 36 | 20 |
| 700-00496 | 60 | 8 | 700-00515 | 2 | 20 | 700-00538 | 62 | 9 | 700-00581 | 38 | 20 |
| 700-00496 | 60 | 24 | 700-00515 | 2 | 21 | 700-00538 | 62 | 31 | 700-00581 | 40 | 19 |
| 700-00496 | 60 | 38 | 700-00515 | 4 | 29 | 700-00538 | 62 | 46 | 700-00581 | 40 | 37 |
| 700-00496 | 62 | 26 | 700-00515 | 4 | 32 | 700-00538 | 62 | 62 | 700-00582 | 22 | 30 |
| 700-00496 | 62 | 41 | 700-00515 | 14 | 43 | 700-00540 | 42 | 19 | 700-00582 | 22 | 50 |
| 700-00496 | 62 | 57 | 700-00515 | 26 | 39 | 700-00541 | 42 | 20 | 700-00582 | 30 | 47 |
| 700-00497 | 12 | 68 | 700-00515 | 28 | 21 | 700-00542 | 22 | 11 | 700-00583 | 22 | 47 |
| 700-00497 | 12 | 72 | 700-00516 | 4 | 21 | 700-00543 | 2 | 10 | 700-00584 | 28 | 18 |
| 700-00498 | 12 | 8 | 700-00516 | 12 | 61 | 700-00544 | 2 | 11 | 700-00584 | 28 | 28 |
| 700-00498 | 12 | 15 | 700-00517 | 14 | 66 | 700-00545 | 14 | 7 | 700-00586 | 2 | 13 |
| 700-00498 | 12 | 34 | 700-00517 | 16 | 27 | 700-00545 | 16 | 23 | 700-00587 | 14 | 68 |
| 700-00498 | 14 | 17 | 700-00517 | 26 | 32 | 700-00547 | 34 | 22 | 700-00588 | 10 | 4 |
| 700-00498 | 20 | 26 | 700-00518 | 4 | 23 | 700-00547 | 36 | 17 | 700-00588 | 54 | 5 |
| 700-00498 | 46 | 19 | 700-00518 | 6 | 1 | 700-00547 | 38 | 17 | 700-00589 | 34 | 26 |
| 700-00498 | 54 | 25 | 700-00518 | 30 | 38 | 700-00547 | 40 | 16 | 700-00589 | 36 | 36 |
| 700-00499 | 60 | 11 | 700-00519 | 20 | 7 | 700-00547 | 40 | 36 | 700-00589 | 38 | 36 |
| 700-00499 | 60 | 41 | 700-00520 | 8 | 25 | 700-00548 | 24 | 21 | 700-00589 | 40 | 39 |
| 700-00499 | 62 | 29 | 700-00520 | 30 | 18 | 700-00549 | 12 | 9 | 700-00590 | 14 | 13 |
| 700-00499 | 62 | 44 | 700-00521 | 8 | 33 | 700-00549 | 50 | 5 | 700-00590 | 16 | 26 |
| 700-00500 | 52 | 17 | 700-00521 | 14 | 48 | 700-00550 | 2 | 12 | 700-00590 | 16 | 39 |
| 700-00500 | 52 | 26 | 700-00521 | 14 | 49 | 700-00550 | 12 | 43 | 700-00590 | 18 | 19 |
| 700-00500 | 58 | 15 | 700-00521 | 26 | 35 | 700-00550 | 12 | 73 | 700-00590 | 18 | 32 |
| 700-00500 | 58 | 25 | 700-00521 | 30 | 31 | 700-00552 | 22 | 26 | 700-00590 | 22 | 24 |
| 700-00500 | 58 | 31 | 700-00522 | 2 | 8 | 700-00554 | 8 | 16 | 700-00590 | 24 | 9 |
| 700-00500 | 58 | 46 | 700-00522 | 8 | 40 | 700-00555 | 6 | 24 | 700-00590 | 24 | 28 |
| 700-00500 | 58 | 62 | 700-00522 | 10 | 6 | 700-00555 | 12 | 21 | 700-00590 | 26 | 25 |
| 700-00500 | 58 | 78 | 700-00522 | 10 | 15 | 700-00555 | 12 | 46 | 700-00592 | 28 | 24 |
| 700-00500 | 60 | 14 | 700-00522 | 14 | 67 | 700-00557 | 20 | 21 | 700-00593 | 10 | 24 |
| 700-00500 | 60 | 23 | 700-00522 | 14 | 77 | 700-00558 | 24 | 6 | 700-00593 | 14 | 23 |
| 700-00500 | 60 | 28 | 700-00522 | 16 | 38 | 700-00558 | 52 | 11 | 700-00593 | 54 | 10 |
| 700-00500 | 60 | 44 | 700-00522 | 24 | 18 | 700-00558 | 60 | 25 | 700-00593 | 54 | 32 |
| 700-00500 | 62 | 14 | 700-00522 | 24 | 34 | 700-00559 | 12 | 14 | 700-00598 | 12 | 28 |
| 700-00500 | 62 | 32 | 700-00522 | 24 | 37 | 700-00560 | 14 | 33 | 700-00600 | 22 | 58 |
| 700-00500 | 62 | 47 | 700-00522 | 26 | 7 | 700-00561 | 18 | 11 | 700-00601 | 22 | 12 |
| 700-00500 | 62 | 61 | 700-00522 | 26 | 27 | 700-00561 | 28 | 58 | 700-00602 | 22 | 35 |
| 700-00501 | 14 | 47 | 700-00522 | 28 | 36 | 700-00562 | 8 | 17 | 700-00603 | 26 | 36 |
| 700-00501 | 14 | 54 | 700-00522 | 28 | 53 | 700-00563 | 4 | 26 | 700-00604 | 28 | 25 |
| 700-00502 | 22 | 44 | 700-00522 | 30 | 67 | 700-00563 | 6 | 20 | 700-00605 | 28 | 43 |
| 700-00503 | 10 | 33 | 700-00522 | 54 | 35 | 700-00564 | 8 | 6 | 700-00608 | 28 | 9 |
| 700-00503 | 22 | 39 | 700-00523 | 22 | 21 | 700-00565 | 8 | 5 | 700-00609 | 60 | 6 |
| 700-00504 | 14 | 58 | 700-00524 | 26 | 37 | 700-00565 | 8 | 7 | 700-00609 | 60 | 36 |
| 700-00505 | 12 | 57 | 700-00525 | 16 | 13 | 700-00566 | 28 | 48 | 700-00609 | 62 | 24 |
| 700-00505 | 16 | 11 | 700-00525 | 18 | 29 | 700-00567 | 12 | 35 | 700-00609 | 62 | 39 |
| 700-00505 | 52 | 19 | 700-00526 | 12 | 71 | 700-00569 | 6 | 37 | 700-00611 | 34 | 27 |
| 700-00505 | 52 | 31 | 700-00526 | 32 | 15 | 700-00570 | 6 | 36 | 700-00611 | 36 | 27 |
| 700-00505 | 58 | 10 | 700-00527 | 30 | 65 | 700-00571 | 20 | 19 | 700-00611 | 38 | 27 |
| 700-00505 | 58 | 26 | 700-00528 | 4 | 12 | 700-00572 | 12 | 26 | 700-00611 | 40 | 26 |
| 700-00505 | 58 | 41 | 700-00528 | 28 | 37 | 700-00572 | 24 | 48 | 700-00612 | 8 | 46 |
| 700-00505 | 58 | 57 | 700-00529 | 2 | 9 | 700-00573 | 6 | 40 | 700-00613 | 14 | 65 |
| 700-00505 | 58 | 73 | 700-00529 | 2 | 22 | 700-00574 | 4 | 3 | 700-00614 | 16 | 34 |
| 700-00505 | 60 | 4 | 700-00530 | 24 | 52 | 700-00575 | 30 | 59 | 700-00615 | 34 | 28 |
| 700-00505 | 60 | 26 | 700-00531 | 16 | 7 | 700-00576 | 20 | 8 | 700-00615 | 36 | 31 |
| 700-00505 | 60 | 34 | 700-00531 | 18 | 25 | 700-00577 | 4 | 16 | 700-00615 | 38 | 31 |
| 700-00505 | 62 | 8 | 700-00532 | 30 | 13 | 700-00577 | 6 | 31 | 700-00615 | 40 | 30 |
| 700-00505 | 62 | 22 | 700-00532 | 30 | 16 | 700-00577 | 6 | 35 | 700-00616 | 18 | 12 |
| 700-00505 | 62 | 37 | 700-00532 | 30 | 40 | 700-00578 | 10 | 9 | 700-00617 | 42 | 13 |
| 700-00505 | 62 | 59 | 700-00533 | 30 | 37 | 700-00578 | 26 | 20 | 700-00618 | 34 | 29 |
| 700-00506 | 16 | 14 | 700-00535 | 8 | 10 | 700-00579 | 34 | 23 | 700-00618 | 36 | 21 |
| 700-00508 | 8 | 21 | 700-00537 | 60 | 10 | 700-00579 | 36 | 18 | 700-00618 | 38 | 21 |
| 700-00508 | 18 | 27 | 700-00537 | 60 | 40 | 700-00579 | 38 | 18 | 700-00618 | 40 | 20 |
| 700-00508 | 24 | 55 | 700-00537 | 62 | 28 | 700-00579 | 40 | 17 | 700-00619 | 8 | 8 |

NUMERICAL INDEX OF PARTS

| PART NO | PAGE | REF NO | PART NO | PAGE | REF NO | PART NO | PAGE | REF NO | PART NO | PAGE | REF NO |
|-----------|------|--------|-----------|------|--------|-----------|------|--------|---------|------|--------|
| 700-00620 | 8 | 9 | 700-00716 | 30 | 43 | 700-00802 | 56 | 109 | | | |
| 700-00626 | 12 | 29 | 700-00717 | 30 | 56 | 700-00802 | 56 | 110 | | | |
| 700-00627 | 12 | 30 | 700-00720 | 26 | 23 | 700-00803 | 56 | 112 | | | |
| 700-00628 | 12 | 37 | 700-00721 | 26 | 21 | 700-00803 | 56 | 115 | | | |
| 700-00629 | 12 | 23 | 700-00728 | 10 | 27 | 700-00804 | 54 | 23 | | | |
| 700-00630 | 12 | 69 | 700-00728 | 14 | 21 | 700-00804 | 56 | 113 | | | |
| 700-00631 | 30 | 3 | 700-00728 | 54 | 17 | 700-00804 | 56 | 114 | | | |
| 700-00632 | 10 | 23 | 700-00729 | 10 | 28 | 700-00804 | 56 | 126 | | | |
| 700-00633 | 10 | 22 | 700-00729 | 14 | 19 | 700-00805 | 56 | 117 | | | |
| 700-00635 | 10 | 20 | 700-00729 | 54 | 16 | 700-00806 | 56 | 116 | | | |
| 700-00636 | 10 | 26 | 700-00731 | 24 | 38 | 700-00807 | 14 | 71 | | | |
| 700-00637 | 10 | 16 | 700-00732 | 24 | 44 | 700-00812 | 14 | 60 | | | |
| 700-00638 | 10 | 25 | 700-00733 | 24 | 24 | 700-00813 | 26 | 34 | | | |
| 700-00639 | 10 | 19 | 700-00734 | 24 | 22 | 700-00820 | 6 | 41 | | | |
| 700-00640 | 10 | 3 | 700-00735 | 52 | 16 | 700-00822 | 12 | 5 | | | |
| 700-00643 | 10 | 2 | 700-00735 | 58 | 12 | 700-00827 | 12 | 45 | | | |
| 700-00646 | 10 | 5 | 700-00735 | 58 | 28 | 700-00828 | 12 | 38 | | | |
| 700-00652 | 12 | 25 | 700-00735 | 58 | 43 | 700-00831 | 12 | 36 | | | |
| 700-00653 | 12 | 24 | 700-00735 | 58 | 59 | 700-00832 | 12 | 4 | | | |
| 700-00654 | 10 | 29 | 700-00735 | 58 | 75 | 700-00833 | 12 | 12 | | | |
| 700-00657 | 30 | 42 | 700-00735 | 60 | 12 | 700-00834 | 14 | 12 | | | |
| 700-00657 | 30 | 61 | 700-00735 | 60 | 42 | 700-00841 | 26 | 24 | | | |
| 700-00657 | 30 | 63 | 700-00735 | 62 | 30 | 700-00842 | 26 | 22 | | | |
| 700-00657 | 30 | 64 | 700-00735 | 62 | 45 | 700-00845 | 26 | 29 | | | |
| 700-00658 | 30 | 4 | 700-00735 | 62 | 60 | 700-00847 | 12 | 50 | | | |
| 700-00658 | 30 | 5 | 700-00736 | 6 | 10 | 700-00848 | 12 | 51 | | | |
| 700-00658 | 30 | 12 | 700-00737 | 8 | 11 | 700-00849 | 12 | 49 | | | |
| 700-00658 | 30 | 22 | 700-00738 | 22 | 48 | 700-00850 | 12 | 63 | | | |
| 700-00658 | 32 | 3 | 700-00739 | 22 | 49 | 700-00854 | 42 | 21 | | | |
| 700-00658 | 32 | 14 | 700-00740 | 22 | 46 | 700-00859 | 58 | 5 | | | |
| 700-00659 | 2 | 14 | 700-00741 | 22 | 45 | 700-00859 | 58 | 21 | | | |
| 700-00660 | 6 | 29 | 700-00744 | 6 | 34 | 700-00859 | 58 | 36 | | | |
| 700-00661 | 14 | 20 | 700-00745 | 6 | 23 | 700-00859 | 58 | 52 | | | |
| 700-00662 | 22 | 36 | 700-00748 | 14 | 41 | 700-00859 | 58 | 68 | | | |
| 700-00664 | 28 | 14 | 700-00749 | 14 | 40 | 700-00860 | 58 | 6 | | | |
| 700-00665 | 22 | 41 | 700-00751 | 16 | 8 | 700-00860 | 58 | 22 | | | |
| 700-00666 | 22 | 31 | 700-00752 | 16 | 30 | 700-00860 | 58 | 37 | | | |
| 700-00667 | 16 | 5 | 700-00753 | 2 | 18 | 700-00860 | 58 | 53 | | | |
| 700-00669 | 28 | 15 | 700-00754 | 2 | 19 | 700-00860 | 58 | 69 | | | |
| 700-00670 | 2 | 15 | 700-00755 | 4 | 30 | 700-00861 | 58 | 7 | | | |
| 700-00671 | 2 | 16 | 700-00757 | 46 | 3 | 700-00861 | 58 | 23 | | | |
| 700-00672 | 2 | 17 | 700-00758 | 46 | 14 | 700-00861 | 58 | 38 | | | |
| 700-00673 | 28 | 49 | 700-00759 | 46 | 4 | 700-00861 | 58 | 70 | | | |
| 700-00676 | 10 | 31 | 700-00760 | 46 | 5 | 700-00862 | 58 | 4 | | | |
| 700-00676 | 54 | 21 | 700-00761 | 46 | 18 | 700-00862 | 58 | 20 | | | |
| 700-00677 | 10 | 12 | 700-00763 | 46 | 13 | 700-00862 | 58 | 35 | | | |
| 700-00678 | 14 | 27 | 700-00782 | 56 | 35 | 700-00862 | 58 | 51 | | | |
| 700-00679 | 14 | 69 | 700-00782 | 56 | 37 | 700-00862 | 58 | 67 | | | |
| 700-00681 | 24 | 8 | 700-00782 | 56 | 38 | 700-00877 | 58 | 11 | | | |
| 700-00682 | 24 | 27 | 700-00782 | 56 | 39 | 700-00877 | 58 | 27 | | | |
| 700-00683 | 24 | 3 | 700-00782 | 56 | 40 | 700-00877 | 58 | 42 | | | |
| 700-00684 | 24 | 7 | 700-00782 | 56 | 41 | 700-00877 | 58 | 58 | | | |
| 700-00685 | 24 | 26 | 700-00782 | 56 | 42 | 700-00877 | 58 | 74 | | | |
| 700-00686 | 24 | 42 | 700-00782 | 56 | 43 | 700-00877 | 62 | 56 | | | |
| 700-00688 | 24 | 31 | 700-00782 | 56 | 44 | 700-00879 | 58 | 8 | | | |
| 700-00689 | 24 | 43 | 700-00782 | 56 | 45 | 700-00879 | 58 | 24 | | | |
| 700-00694 | 8 | 18 | 700-00782 | 56 | 46 | 700-00879 | 58 | 39 | | | |
| 700-00694 | 22 | 51 | 700-00782 | 56 | 48 | 700-00879 | 58 | 55 | | | |
| 700-00695 | 8 | 37 | 700-00782 | 56 | 49 | 700-00879 | 58 | 71 | | | |
| 700-00696 | 8 | 42 | 700-00782 | 56 | 50 | 700-00884 | 44 | 3 | | | |
| 700-00697 | 18 | 13 | 700-00782 | 56 | 122 | 700-00885 | 12 | 52 | | | |
| 700-00698 | 22 | 37 | 700-00784 | 56 | 36 | 700-00887 | 12 | 47 | | | |
| 700-00699 | 8 | 36 | 700-00798 | 56 | 86 | 700-00908 | 6 | 9 | | | |
| 700-00700 | 8 | 20 | 700-00798 | 56 | 87 | 700-00908 | 50 | 1 | | | |
| 700-00701 | 8 | 15 | 700-00798 | 56 | 119 | 700-00908 | 50 | 8 | | | |
| 700-00703 | 18 | 14 | 700-00799 | 56 | 93 | 700-01060 | 32 | 16 | | | |
| 700-00704 | 12 | 59 | 700-00799 | 56 | 94 | | | | | | |
| 700-00706 | 44 | 2 | 700-00799 | 56 | 97 | | | | | | |
| 700-00707 | 42 | 9 | 700-00801 | 56 | 102 | | | | | | |
| 700-00710 | 30 | 57 | 700-00801 | 56 | 103 | | | | | | |
| 700-00711 | 30 | 58 | 700-00802 | 56 | 104 | | | | | | |
| 700-00712 | 30 | 55 | 700-00802 | 56 | 105 | | | | | | |
| 700-00713 | 30 | 48 | 700-00802 | 56 | 106 | | | | | | |
| 700-00714 | 30 | 54 | 700-00802 | 56 | 107 | | | | | | |
| 700-00715 | 30 | 44 | 700-00802 | 56 | 108 | | | | | | |