

PARTS LIST

MO-6800D/DD10 PARTS LIST

下記 URL (PARTS Website/PC サイト) より、便利な検索機能のついた Web Parts Book をご利用頂けます。
ご利用には会員登録が必要です。(無料)

<https://juki.aftama.com/JUKI/JA>

You can use a Web Parts Book with a convenient search function from the URLs (PARTS Website/PC-site)
below. To use the PARTS Website, free membership registration is required.

<https://juki.aftama.com/JUKI/EN>

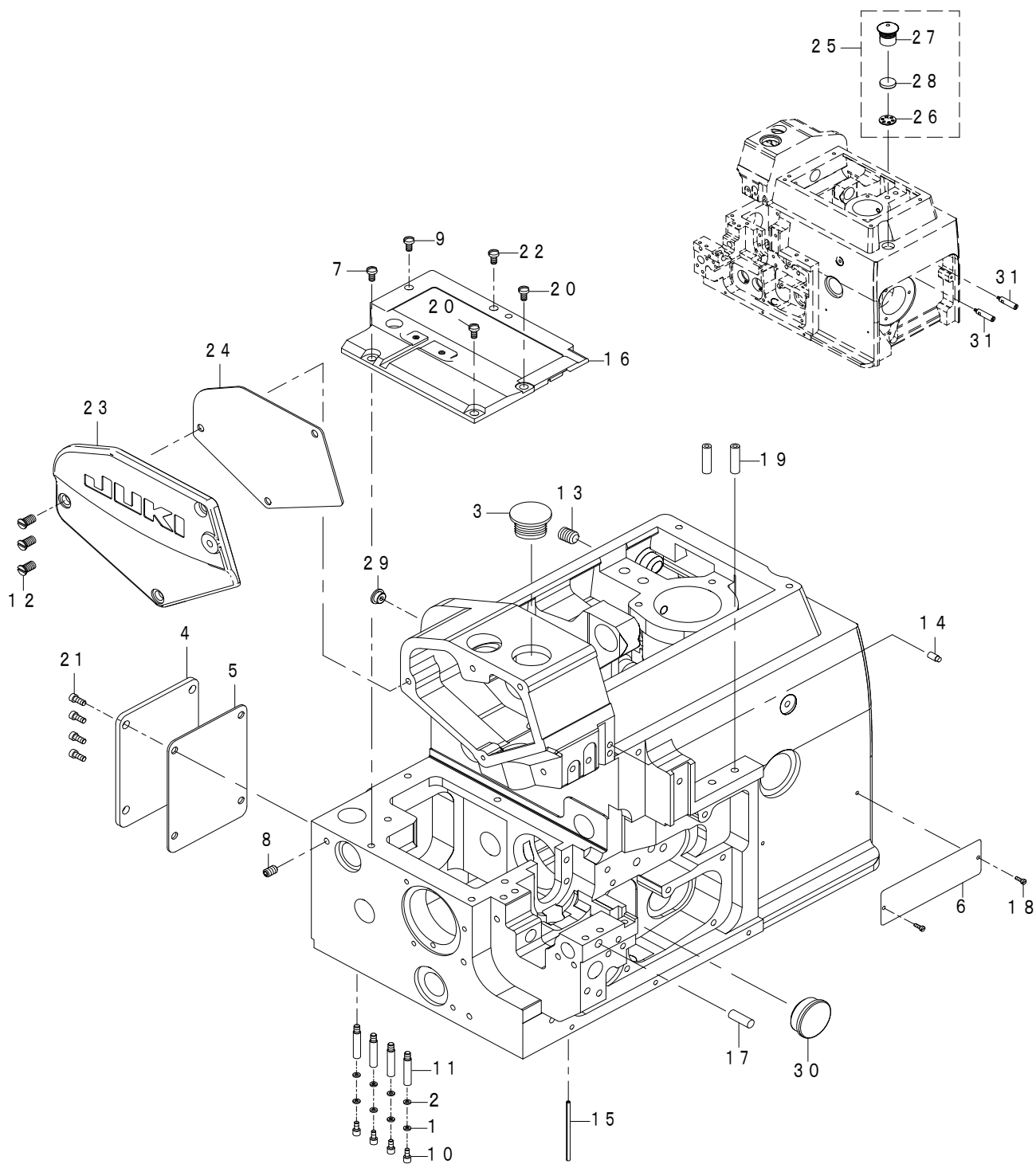
HOW TO MAKE USE OF THIS PARTS LIST

- 1.As to "#01" and "#02" refer to the "Note" given at the bottom of the respective pages.
- 2.Codes on the "Qty" column
 - Each numeral indicates the number of parts required.
 - "0.1" and "2.5" indicate the length (in meters) of the respective parts.
- 3.Parentheses mean that the corresponding part is a subpart that constructs an assembly part.
- 4.Dotted lines on the Figures indicate assembly parts.

CONTENTS

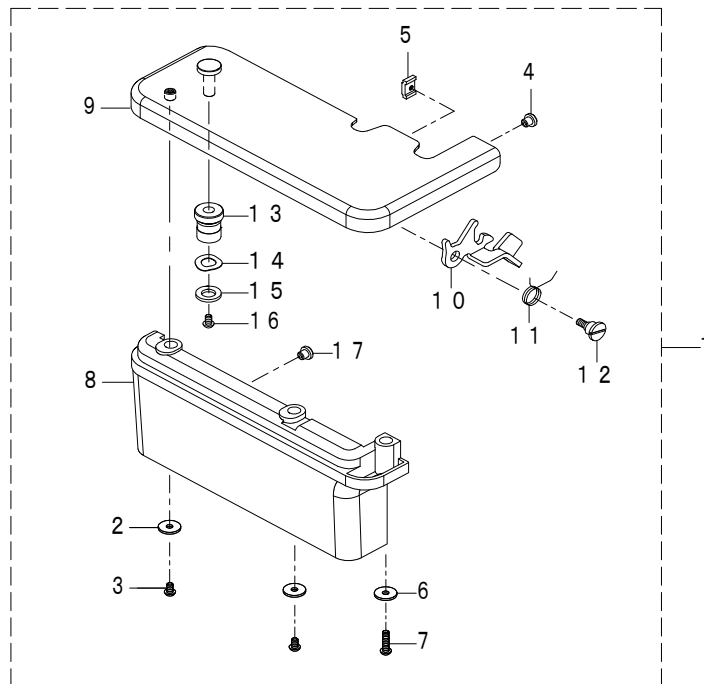
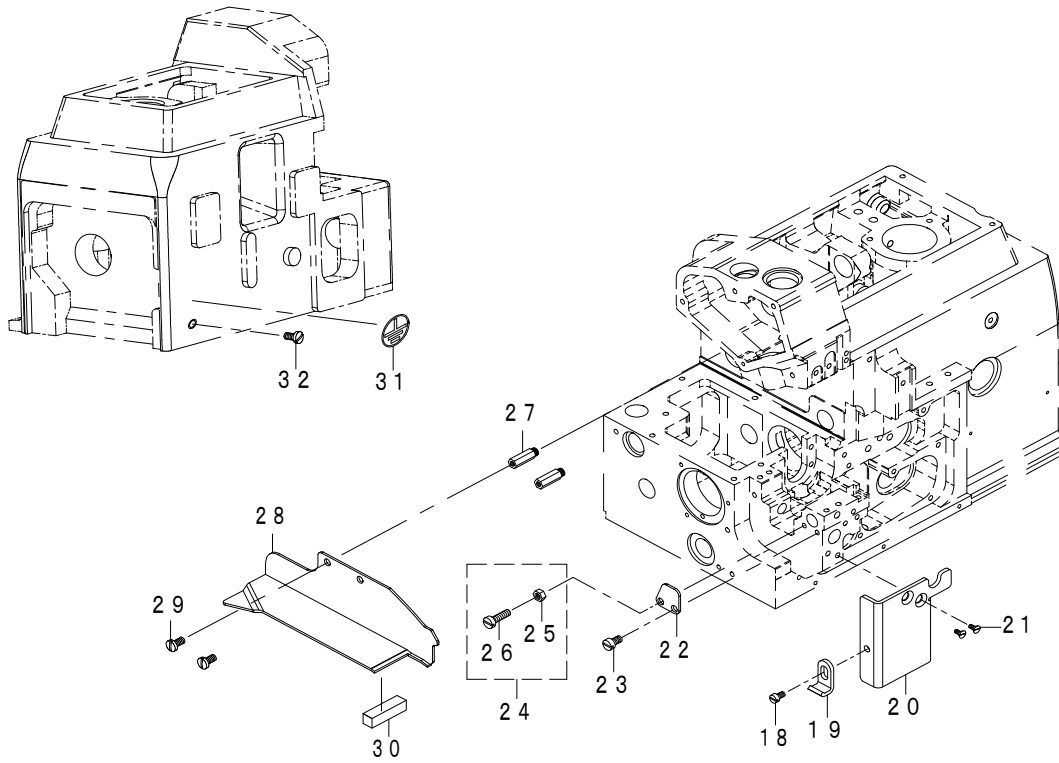
1. MISCELLANEOUS COVER COMPONENTS (1)	1
2. MISCELLANEOUS COVER COMPONENTS (2)	3
3. MISCELLANEOUS COVER COMPONENTS (3)	5
4. CRANKSHAFT COMPONENTS	7
5. NEEDLE DRIVING SHAFT COMPONENTS	9
6. THREAD TENSION COMPONENTS	11
7. UPPER LOOPER COMPONENTS	13
8. LOWER LOOPER COMPONENTS	15
9. CHAIN LOOPER COMPONENTS (1)	17
10. CHAIN LOOPER COMPONENTS (2)	19
11. FEED MECHANISM COMPONENTS (1)	21
12. FEED MECHANISM COMPONENTS (2)	23
13. KNIFE COMPONENTS	25
14. PRESSER FOOT COMPONENTS	27
15. LUBRICATION MECHANISM COMPONENTS	29
16. NEEDLE COOLER UNIT COMPONENTS	31
17. THREAD STAND COMPONENTS (FOR MO-6804D)	33
18. THREAD STAND COMPONENTS (FOR MO-6814D)	35
19. THREAD STAND COMPONENTS (FOR MO-6816D)	37
20. THREAD STAND COMPONENTS (FOR MO-6843D)	39
21. SEMI-SUNKEN TYPE TABLE COMPONENTS	41
22. FULLY-SUNKEN TYPE TABLE COMPONENTS	43
23. ACCESSORIES PARTS COMPONENTS	45
24. PSC UNIT	47
25. TAPE INSERTION COMPONENTS	49
26. 30P COMPONENTS	51
27. MO-6800D GAUGE TABLE	53
28. MO-6800D GAUGE TABLE PRESSER FOOT COMPONENTS (1)	55
29. MO-6800D GAUGE TABLE PRESSER FOOT COMPONENTS (2)	57
NUMERICAL INDEX OF PARTS	59

1. MISCELLANEOUS COVER COMPONENTS (1)



REF.NO	NOTE	PART NO	DESCRIPTION	Qty
1		700-00363	WASHER	4
2		700-00365	WASHER	4
3		401-59534	RUBBER PLUG	1
4		401-72525	COVER	1
5		700-00443	METAL FOAM GASKET	1
6		*****	NAME PLATE	1
7		700-00515	E_SCREW	1
8		700-00522	E_SCREW	1
9		700-00529	E_SCREW	1
10		700-00543	E_SCREW	4
11		700-00544	E_SCREW	4
12		700-00550	E_SCREW	3
13		700-00586	M_SCREW	1
14		700-00659	PIN	1
15		700-00670	PIN	1
16		401-59533	COVER	1
17		700-00672	PIN	1
18		700-00753	RIVET	2
19		700-00754	DUCT	2
20		700-00515	E_SCREW	2
21		700-00515	E_SCREW	4
22		700-00529	E_SCREW	1
23		402-35212	SIDE_COVER	1
24		401-59532	METAL FOAM GASKET	1
25		401-59537	RUBBER PLUG COMB.	1
26		401-59540	RUBBER PLUG COVER	(1)
27		401-59538	RUBBER PLUG	(1)
28		401-59539	FELT	(1)
29	#01	402-35213	RUBBER_PLUG	1
30	#01	402-35214	RUBBER_PLUG	1
31		402-35250	STUD	2
		NOTE	#01....FOR 04D,14D	

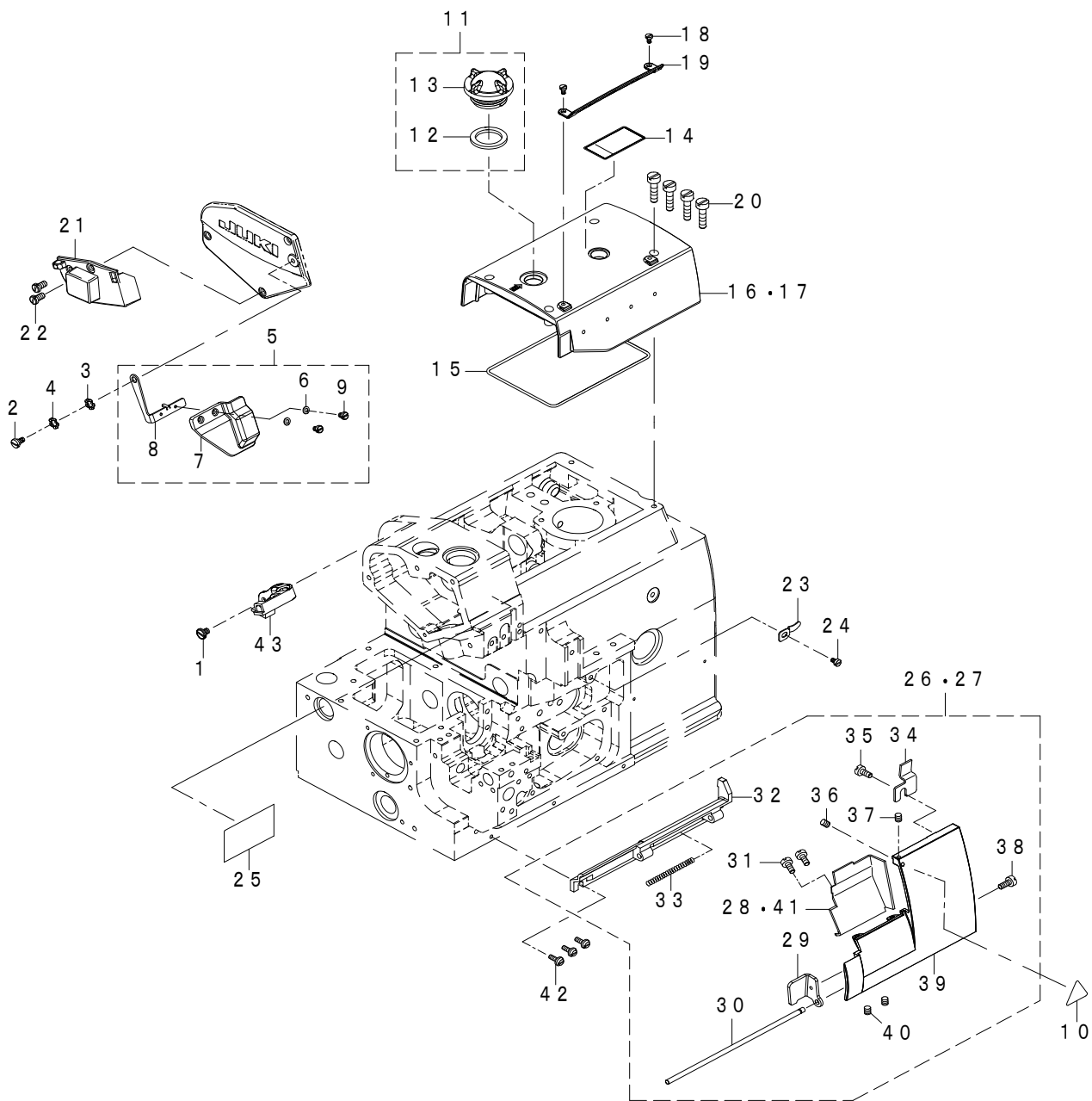
2. MISCELLANEOUS COVER COMPONENTS (2)



REF.NO	NOTE	PART NO	DESCRIPTION	Qty
1		401-59557	FABRIC PLATE COVER COMB.	1
2		700-00368	WASHER	(2)
3		700-00574	M_SCREW	(2)
4		700-00490	RUBBER PLUG	(1)
5		700-00334	FIXED SEAT	(1)
6		401-59562	WASHER	(1)
7		401-59563	M_SCREW	(1)
8		401-59556	SIDE COVER	(1)
9		401-59555	FABRIC PLATE COVER	(1)
10		401-59564	LEVER	(1)
11		401-59565	SPRING	(1)
12		700-00528	E_SCREW	(1)
13		401-59558	BUSHING	(1)
14		401-59559	WASHER	(1)
15		401-59560	WASHER	(1)
16		700-00577	M_SCREW	(1)
17		401-59561	RUBBER PLUG	(1)
18		401-59552	M_SCREW	1
19		401-59553	GUIDE PLATE	1
20		401-59554	OILER COVER	1
21		700-00516	E_SCREW	2
22		700-00404	FIXED PLATE	1
23		700-00518	E_SCREW	1
24		700-00453	NUT	1
25		700-00452	NUT	(1)
26		700-00563	E_SCREW	(1)
27		700-00494	SCREW	2
28		700-00493	FABRIC GUIDE	1
29		700-00515	E_SCREW	2
30		700-00755	SPONGY CUSHION	1
31		401-59551	LABEL (GROUND_MARK)	1
32		700-00515	E_SCREW	1

3. MISCELLANEOUS COVER COMPONENTS (3)

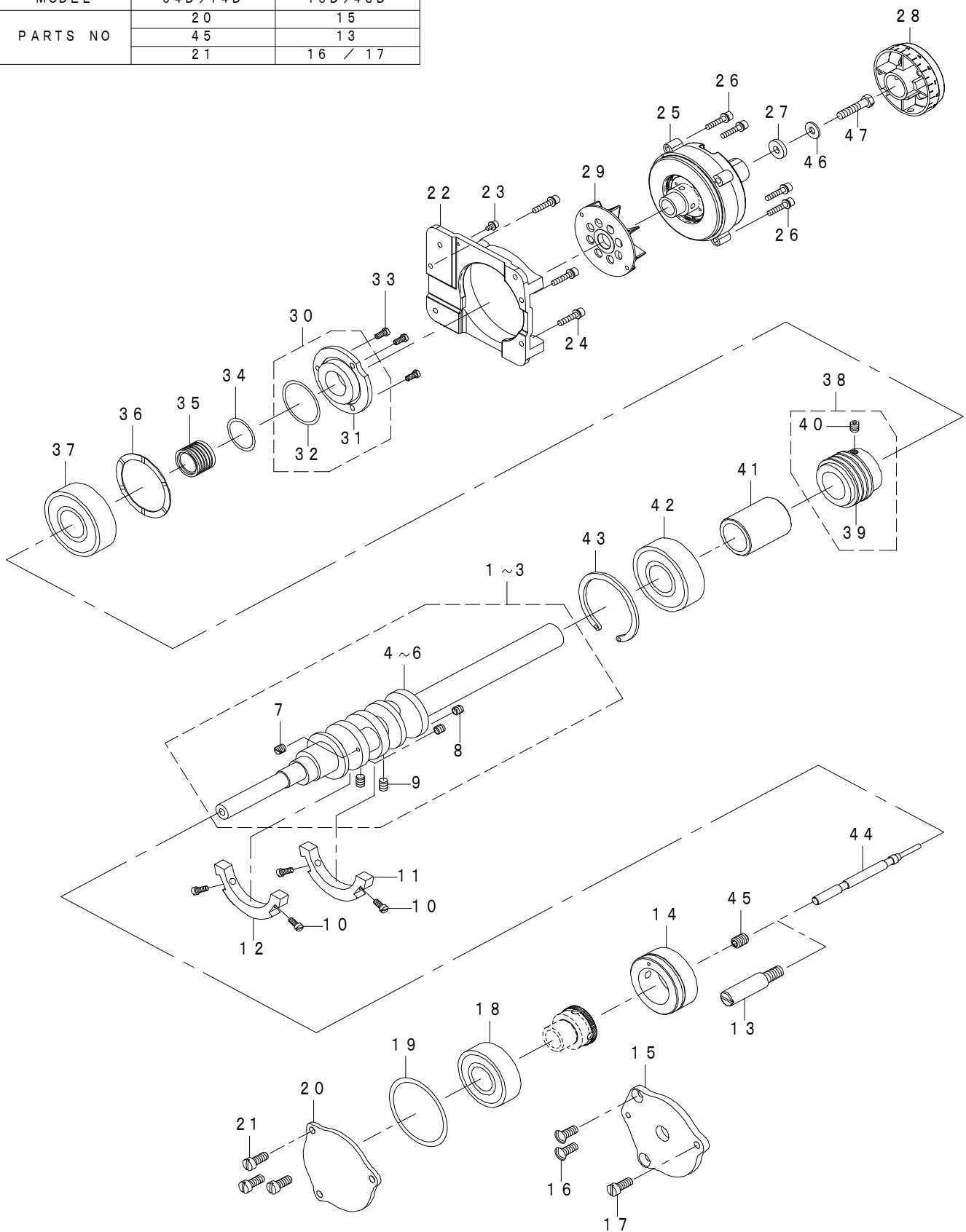
MODEL	04D/14D	16D/43D
PARTS NO	28	41
	26	27



REF.NO	NOTE	PART NO	DESCRIPTION	Qty
1		700-00518	E_SCREW	1
2		401-59573	M_SCREW	1
3		401-59572	WASHER	1
4		401-59572	WASHER	1
5		401-59577	SAFETY PLATE COMB.	1
6		401-59576	WASHER	(2)
7		401-59575	SAFETY PLATE	(1)
8		401-59574	SAFETY PLATE BRACKET	(1)
9		700-00908	M_SCREW	(2)
10		700-00736	LABEL	1
11		401-59579	OIL LEVEL INSPECTION LENS COMB.	1
12		700-00136	GASKET	(1)
13		401-59578	OIL LEVEL INSPECTION LENS	(1)
14		700-00161	LABEL	1
15		700-00222	O-RING	1
16		402-35215	TOP_COVER	1
17	#01	402-35216	TOP_COVER_(43_SIZE)	1
18		401-59580	E_SCREW	2
19		401-59581	THREAD GUIDE PLATE	1
20		700-00563	E_SCREW	4
21		402-35217	LED_DEVICE	1
22		402-35218	E_SCREW	2
23		700-00745	GUIDE PLATE	1
24		700-00555	E_SCREW	1
25		*****	EMBLEM	1
26	#02	401-59585	FRONT COVER COMB.	1
27	#03	401-59593	FRONT COVER COMB.	1
28	#02	700-00481	FRONT COVER	(1)
29		700-00660	PIN	(1)
30		401-59590	SHAFT	(1)
31		700-00577	M_SCREW	(2)
32		401-59586	FIXED SEAT	(1)
33		401-59587	SPRING	(1)
34		700-00744	RETAINING CLIP	(1)
35		700-00577	M_SCREW	(1)
36		700-00570	M_SCREW	(1)
37		700-00569	M_SCREW	(1)
38		401-59591	E_SCREW	(1)
39		401-59592	FRONT COVER	(1)
40		700-00573	M_SCREW	(2)
41	#03	700-00820	FRONT COVER	(1)
42		401-59589	E_SCREW	3
43		402-35219	LED_CORD_BASE	1
		NOTE	#01....FOR 43D	
			#02....FOR 04D/14D	
			#03....FOR 16D/43D	

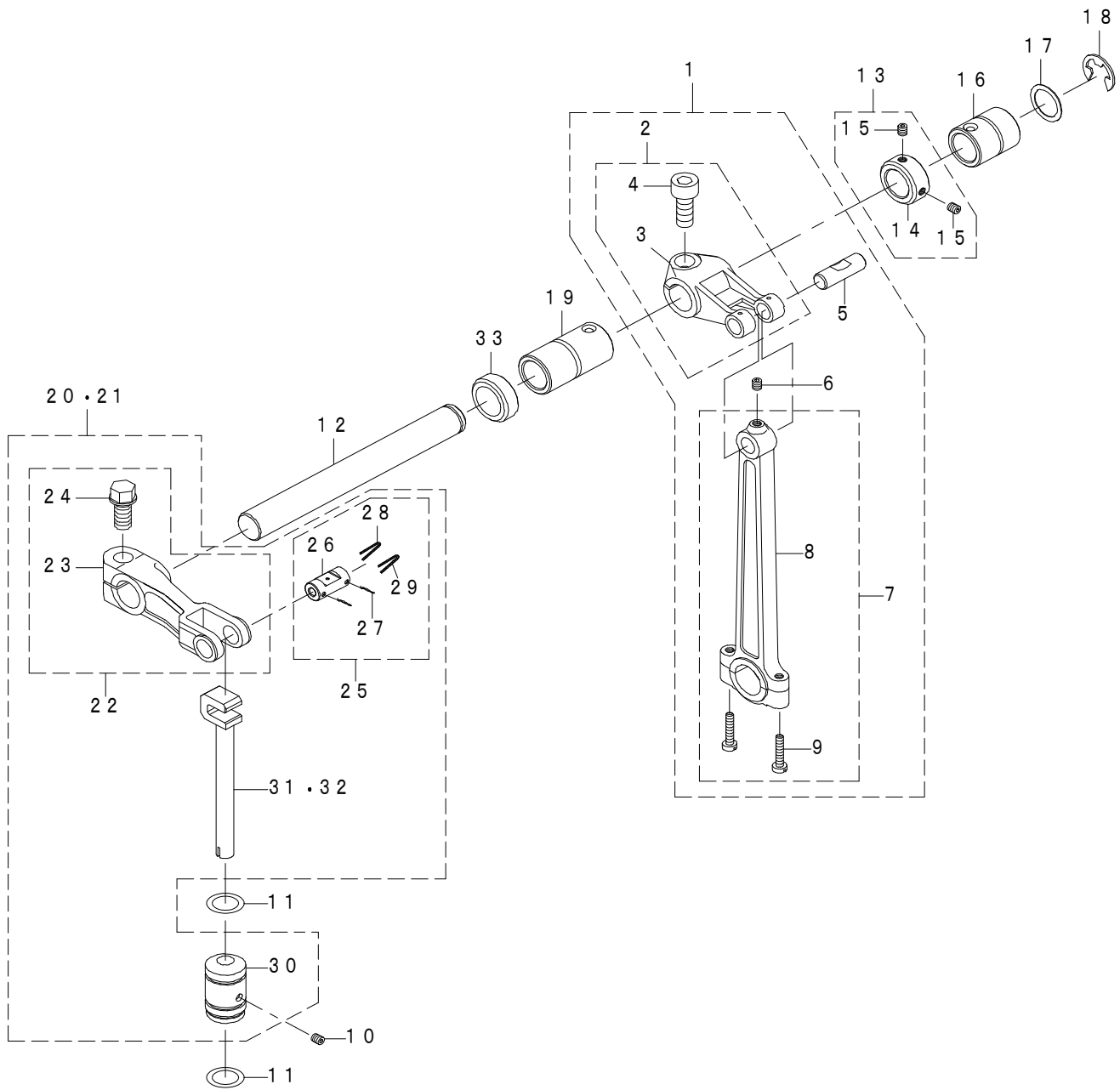
4. CRANKSHAFT COMPONENTS

MODEL	04D/14D	16D/43D
PARTS NO	20	15
	45	13
	21	16 / 17



REF.NO	NOTE	PART NO	DESCRIPTION	Qty
1		401-59606	MAIN SHAFT COMB.	1
2	#01	401-59607	MAIN SHAFT COMB. (HIGH TYPE)	1
3	#04	401-64012	MAIN SHAFT COMB.(30P)	1
4	#01	401-59605	MAIN SHAFT (HIGH TYPE)	(1)
5		401-59604	MAIN SHAFT	(1)
6	#04	401-64011	MAIN SHAFT (30P)	(1)
7		700-00565	E_SCREW	(1)
8		700-00565	E_SCREW	(2)
9		700-00564	E_SCREW	(2)
10		700-00535	E_SCREW	4
11		700-00619	BALANCE BLOCK	1
12		700-00620	BALANCE BLOCK	1
13	#03	700-00460	FASTENER PIN	1
14		700-00130	BUSHING	1
15	#03	700-00701	BEARING COVER	1
16	#03	700-00554	E_SCREW	2
17	#03	700-00562	E_SCREW	1
18		700-00694	BEARING	1
19		700-00145	O-RING	1
20	#02	700-00700	BEARING COVER	1
21	#02	700-00508	E_SCREW	3
22		402-35220	DD_MOTOR_BASE	1
23		402-35222	M_SCREW	1
24		700-00520	E_SCREW	3
25		402-35223	DD_MOTOR	1
26		402-35224	M_SCREW	1
27		402-35225	WASHER	1
28		402-35226	HAND_WHEEL_COMB.	1
29		402-35221	FAN_BLADE	1
30		700-00431	SIDE COVER COMB.	1
31		700-00430	SIDE COVER	(1)
32		700-00145	O-RING	(1)
33		700-00521	E_SCREW	3
34		700-00143	O-RING	1
35		700-00149	WORM WHEEL	1
36		700-00699	WASHER	1
37		700-00695	BEARING	1
38		700-00259	WORM WHEEL	1
39		700-00257	WORM WHEEL	(1)
40		700-00522	E_SCREW	(1)
41		700-00314	SHAFT	1
42		700-00696	BEARING	1
43		700-00449	STOP RING	1
44		700-00737	SHAFT	1
45	#02	401-59608	M_SCREW	1
46		700-00612	WASHER	1
47		401-59603	M_SCREW	1
	NOTE		#01....FOR 14D-40H/14D-44H/16D-50H #02....FOR 04D/14D #03....FOR 16D/43D #04....FOR 30P	

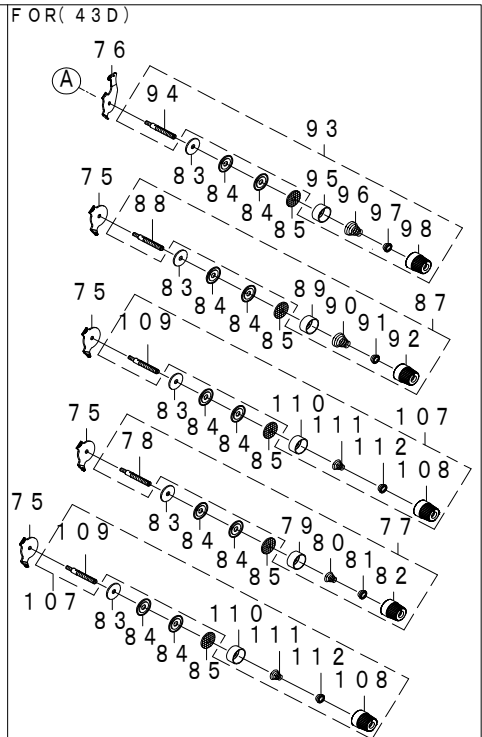
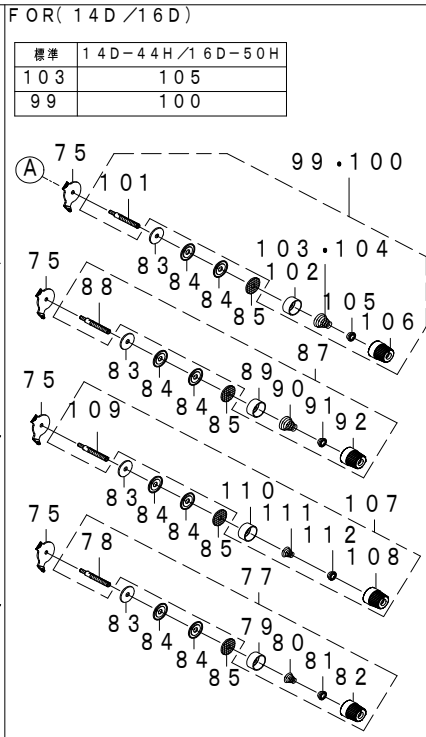
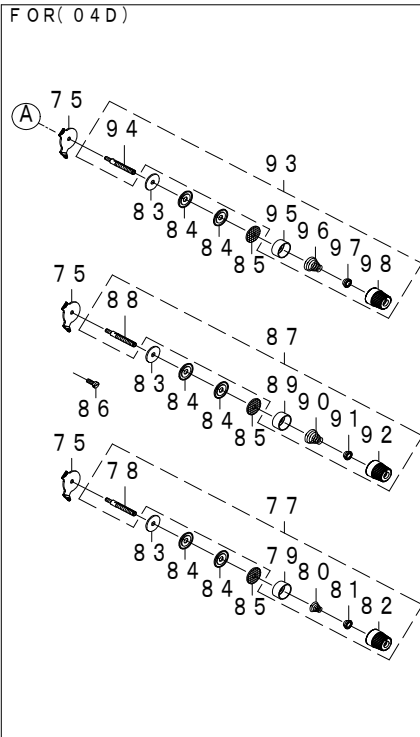
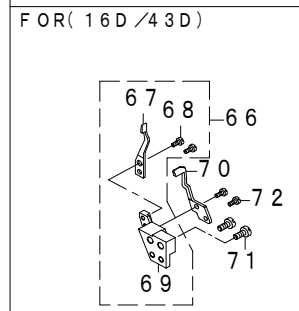
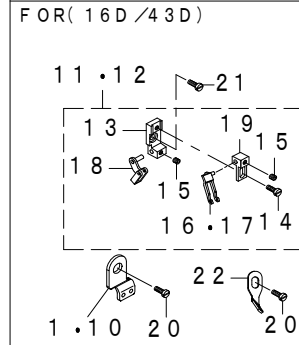
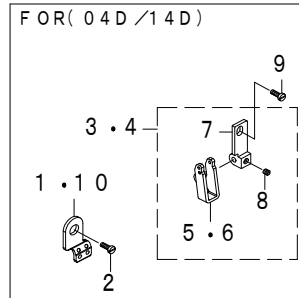
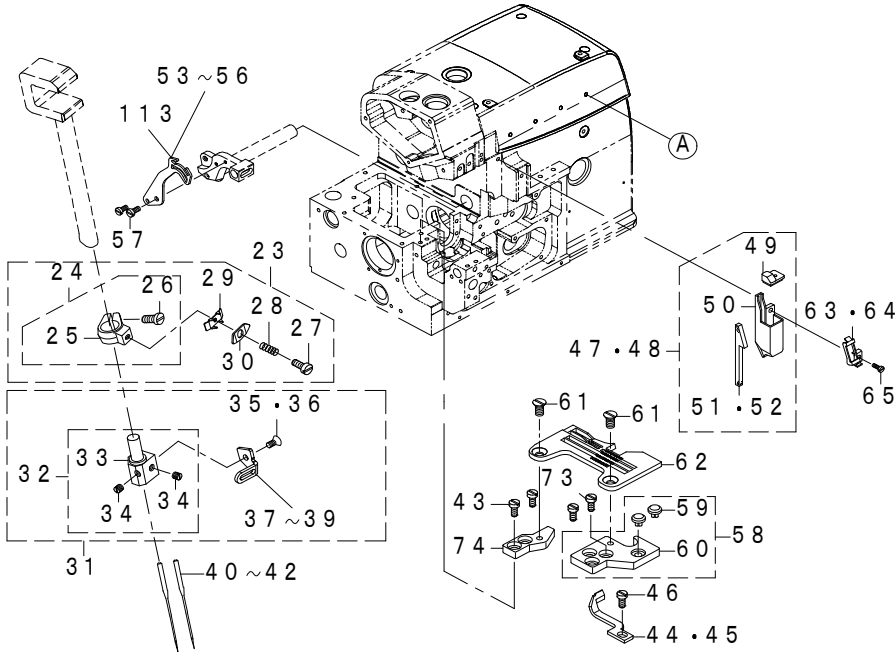
5. NEEDLE DRIVING SHAFT COMPONENTS



REF.NO	NOTE	PART NO	DESCRIPTION	Qty
1		401-59615	SHAFT COMB.	1
2		700-00643	SHAFT	(1)
3		700-00640	NEEDLE BAR ROCKER	(1)
4		700-00588	M_SCREW	(1)
5		700-00646	PIN	(1)
6		700-00522	E_SCREW	(1)
7		401-59618	CONNECTING ROD COMB.	(1)
8		401-59617	CONNECTING ROD	(1)
9		700-00578	M_SCREW	(2)
10		700-00503	E_SCREW	1
11		700-00141	O-RING	2
12		401-67349	ARBOR	1
13		700-00437	COLLAR	1
14		700-00432	COLLAR	(1)
15		700-00522	E_SCREW	(2)
16		700-00637	BUSHING	1
17		700-00362	WASHER	1
18		700-00134	E_CIRCLIPS	1
19		401-67347	BUSHING	1
20	#01	401-67355	NEEDLE BAR COMB.(44H SIZE)	1
21		401-67348	NEEDLE BAR COMB.	1
22		700-00633	CONNECTING ROD COMB.	(1)
23		700-00632	CONNECTING ROD	(1)
24		700-00593	M_SCREW	(1)
25		401-69823	SHAFT COMB.	(1)
26		401-67350	SHAFT	(1)
27		700-00728	OIL YARN	(4)
28		CQ-2000000-00	COTTON OIL WICK D=2	(0.032)
29		CQ-2020000-00	COTTON OIL WICK D=2	(0.032)
30		401-67352	BUSHING	(1)
31	#01	401-67354	NEEDLE BAR (44H)	(1)
32		401-67351	NEEDLE BAR	(1)
33		401-67356	OIL SEAL	1
		NOTE	#01....FOR 14D-44H	

6. THREAD TENSION COMPONENTS

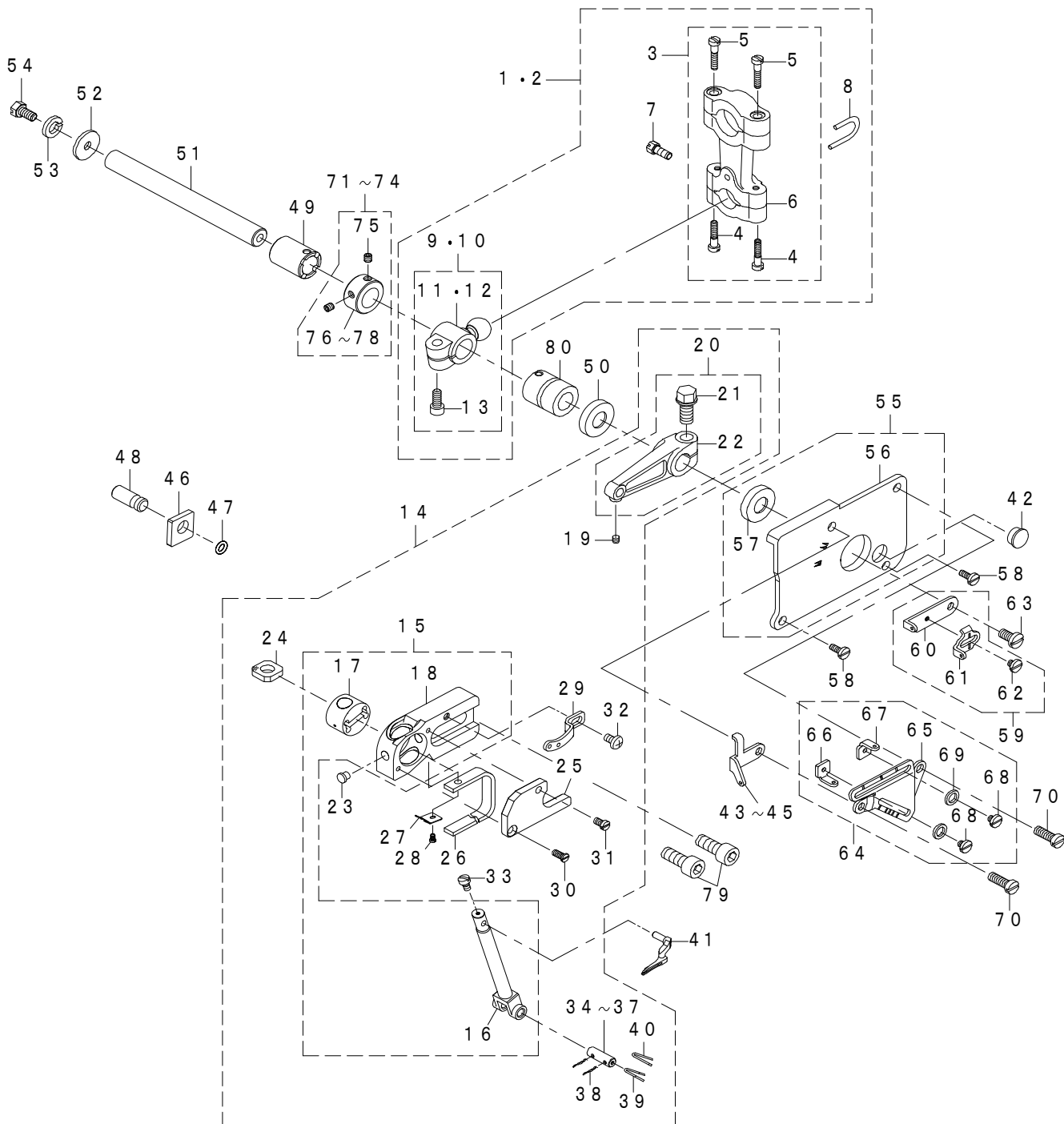
MODEL	04D	14D	16D	43D	14D-30P
PARTS NO	10	1	10	1	113
	5	6	16	17	
	54	53	55	56	
	51	51	52	52	
	63	63	64	64	
	44	44	45	45	
	38	37	39	39	
	8	8	15	15	
	2	2	20	20	
	9	9	21	21	
			14	14	
	35	35	36	36	
	3	4	11	12	
	47	47	48	48	



REF.NO	NOTE	PART NO	DESCRIPTION	Qty
1	#09	401-59645	THREAD GUIDE PLATE	1
2	#06	700-00513	E. SCREW	1
3	#02	700-00173	FIXED PLATE COMB.	1
4	#03	700-00832	FIXED PLATE COMB.	1
5	#02	700-00822	THREAD GUIDE PLATE	(1)
6	#03	401-59650	THREAD GUIDE PLATE	(1)
7		700-00164	FIXED PLATE	(1)
8	#06	700-00498	E. SCREW	(1)
9	#06	700-00549	E. SCREW	(1)
10	#07	401-59646	THREAD GUIDE PLATE	1
11	#04	700-00174	FIXED PLATE COMB.	1
12	#05	700-00833	FIXED SEAT COMB.	1
13		700-00171	FIXED SEAT	(1)
14	#08	700-00559	E. SCREW	(1)
15	#08	700-00498	E. SCREW	(2)
16	#04	401-59647	THREAD GUIDE PLATE	(1)
17	#05	401-59651	THREAD GUIDE PLATE	(1)
18		401-59648	THREAD GUIDE PLATE	(1)
19		700-00169	FIXED BLOCK	(1)
20	#08	700-00513	E. SCREW	2
21	#08	700-00555	E. SCREW	1
22		700-00168	THREAD GUIDE PLATE	1
23		700-00629	CATCHER	1
24		700-00653	CRAMP	(1)
25		700-00652	CRAMP	(1)
26		700-00572	M. SCREW	(1)
27		401-59629	M. SCREW	(1)
28		700-00598	SPRING	(1)
29		700-00626	THREAD GRIP	(1)
30		700-00627	THREAD GRIP	(1)
31	#01	*****	NEEDLE CLAMP	1
32	#01	*****	NEEDLE CLAMP	(1)
33	#01	*****	NEEDLE CLAMP	(1)
34	#06	700-00498	E. SCREW	(2)
35	#06	700-00567	M. SCREW	(1)
36	#08	700-00831	M. SCREW	(1)
37	#03	700-00828	THREAD CROSSING	(1)
38	#02	700-00828	THREAD CROSSING	(1)
39	#04	401-72527	THREAD CROSSING	(1)
40	#01	*****	NEEDLE	2
41	#01	*****	NEEDLE	1
42	#01	*****	NEEDLE	3
43		700-00550	E. SCREW	2
44	#06	700-00469	NEEDLE GUARD	1
45	#08	700-00827	NEEDLE GUARD	1
46		700-00555	E. SCREW	1
47	#06	700-00887	OILER	1
48	#08	401-59652	OILER	1
49		700-00849	OILER COVER	(1)
50		700-00847	OILER	(1)
51	#06	700-00848	OIL FELT	(1)
52	#08	700-00885	OIL FELT	(1)
53	#03	401-59630	THREAD TAKE-UP LEVER	1
54	#02	401-59653	THREAD TAKE-UP LEVER	1
55	#04	401-59654	THREAD TAKE-UP LEVER	1
56	#05	401-59655	THREAD TAKE-UP LEVER	1
57		700-00505	E. SCREW	2
58		401-59628	NEEDLE PLATE BRACKET COMB.	1
59		700-00704	RUBBER PLUG	(2)
60		401-59626	THROAT PLATE BASE B	(1)
61		700-00516	E. SCREW	2
62	#01	*****	THROAT PLATE	1
63	#06	700-00850	THREAD GUIDE PLATE	1
64	#08	401-59649	THREAD GUIDE PLATE	1
65		401-59625	THREAD GUIDE PLATE	1
66		700-00337	E. SCREW	1
67		700-00336	FIXED SEAT COMB.	1
68		700-00497	NEEDLE GUARD	(1)
69		700-00630	E. SCREW	(2)
70		700-00335	NEEDLE GUARD	(1)
71		700-00526	NEEDLE GUARD	1
72		700-00497	E. SCREW	2
73		700-00550	E. SCREW	2
74		401-59627	THROAT PLATE BASE A	1
75		401-59631	THREAD GUIDE PLATE	11
76		401-59644	THREAD GUIDE PLATE	1
77		401-59640	THREAD TENSION COMB.	3
78		401-59632	THREAD TENSION SHAFT	(1)
79		401-59634	SLEEVE	(1)
80		700-00211	SPRING	(1)
81		401-59636	FIXED RING	(1)
82		401-78548	THREAD TENSION KNOB.(R)	(1)
83		401-59633	THREAD TENSION RUBBER WASHER	12
84		700-00203	THREAD GRIP	24
85		700-00213	OIL FELT	12
86		700-00513	E. SCREW	1
87		401-59641	THREAD TENSION COMB.	3
88		401-59632	THREAD TENSION SHAFT	(1)
89		401-59634	SLEEVE	(1)
90		401-59624	SPRING	(1)
91		401-59636	FIXED RING	(1)
92		401-78550	THREAD TENSION KNOB.(Y)	(1)
93		401-59642	THREAD TENSION COMB.	2
94		401-59632	THREAD TENSION SHAFT	(1)
95		401-59634	SLEEVE	(1)
96		401-59624	SPRING	(1)
97		401-59636	FIXED RING	(1)
98		401-78549	THREAD TENSION KNOB.(G)	(1)
99		401-59642	THREAD TENSION COMB.(G)	1
100		401-59656	THREAD TENSION COMB.(G1)	1
101	#10	401-59632	THREAD TENSION SHAFT	(1)
102		401-59634	SLEEVE	(1)
103		401-59624	SPRING	(1)
104		401-59657	SPRING	(1)
105	#10	401-59636	FIXED RING	(1)
106		401-78549	THREAD TENSION KNOB.(G)	(1)
107		401-59643	THREAD TENSION COMB.(Y1)	3
108		401-78550	THREAD TENSION KNOB.(Y)	(1)
109		401-59632	THREAD TENSION SHAFT	(1)
110		401-59634	SLEEVE	(1)
111		700-00211	SPRING	(1)
112		401-59636	FIXED RING	(1)
113	#11	401-64056	THREAD TAKE-UP LEVER	1
		NOTE	#01...REFER "MO-6800D GAUGE TABLE"	
			#02...FOR 04D	
			#03...FOR 14D	
			#04...FOR 16D	
			#05...FOR 43D	
			#06...FOR 04D/14D	
			#07...FOR 04D/16D	
			#08...FOR 16D/43D	
			#09...FOR 14D/43D	
			#10...FOR 14D-44H/16D-50H	
			#11...FOR 14D-30P	

7. UPPER LOOPER COMPONENTS

MODEL	04D/16D	14D/43D	14D-44H	16D-50H
PARTS NO	74	73	71	72 + 73
	12	11	11	12
	10	9	9	10
	2	1	1	2
		43		44



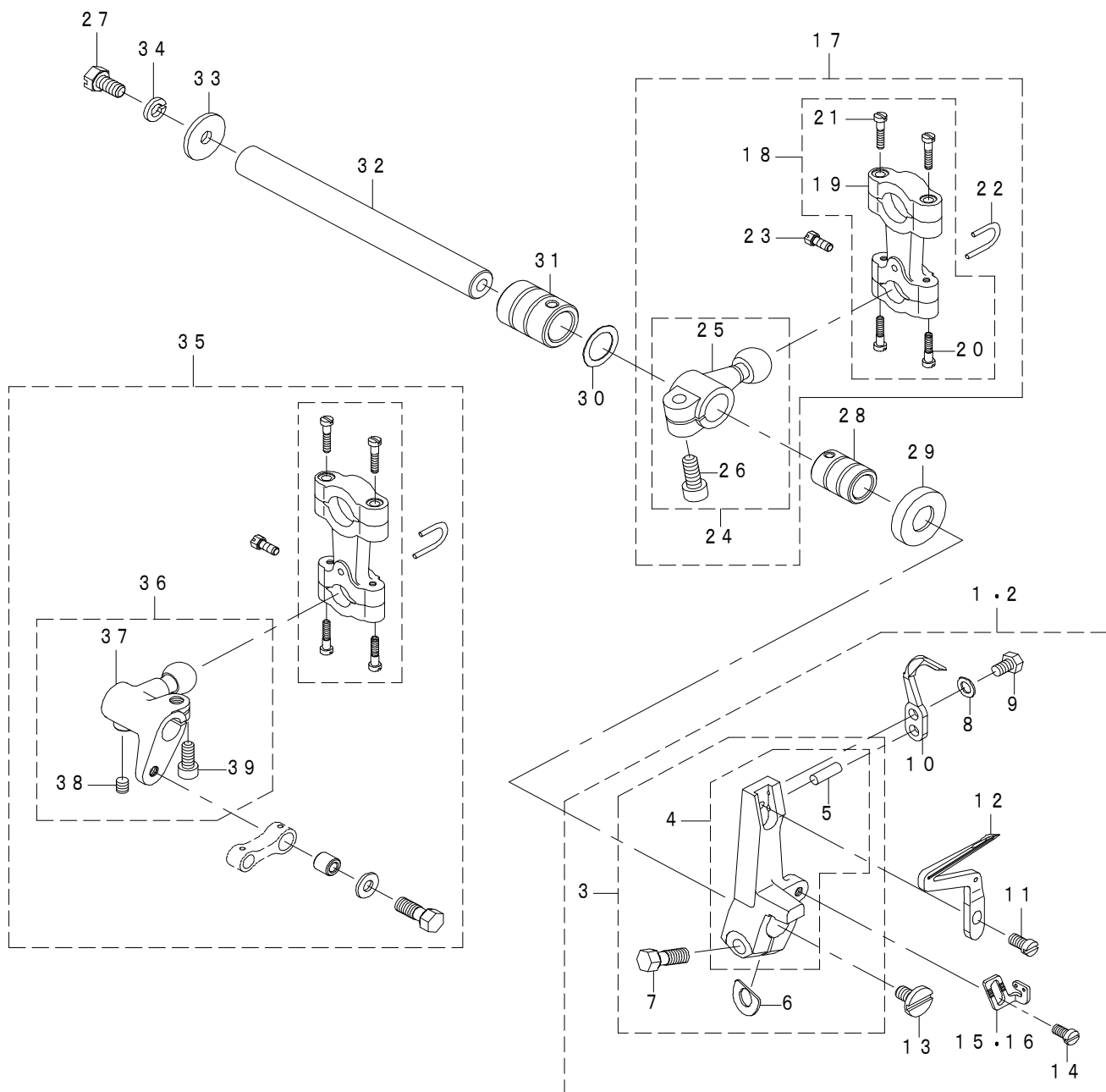
REF.NO	NOTE	PART NO	DESCRIPTION	Qty
1	#06	401-59686	BALL CONNECTING ROD ASM.(A)	1
2	#07	401-59687	BALL CONNECTING ROD ASM.(B)	1
3		401-79596	CONNECTING ROD	(1)
4		401-79597	E_SCREW	(2)
5		401-79597	E_SCREW	(2)
6		401-78084	BALL CONNECTING ROD	(1)
7		700-00545	E_SCREW	(1)
8		401-59684	FIXED JAW	(1)
9	#06	700-00254	BALL CONNECTING ROD COMB.	(1)
10	#07	401-59678	BALL CONNECTING ROD COMB.	(1)
11	#06	700-00253	BALL CONNECTING ROD	(1)
12	#07	700-00834	BALL CONNECTING ROD	(1)
13		700-00590	M_SCREW	(1)
14		402-30995	UPPER LOOPER HOLDER ASM.	1
15		401-67365	CONNECTING ROD SEAT COMB.	(1)
16		401-67379	LOOPER CONNECTING ROD	(1)
17		400-39402	UPPER LOOPER GUIDE	(1)
18		400-32579	GUIDE SUPPORT B	(1)
19		700-00498	E_SCREW	(1)
20		401-67361	CONNECTING ROD COMB.	(1)
21		700-00593	M_SCREW	(1)
22		401-67360	CONNECTING ROD	(1)
23		401-67373	COVER	(1)
24		400-04751	UPPER LOOPER GUIDE FELT	(1)
25		401-67371	FIXED PLATE	(1)
26		401-67375	OIL FELT	(1)
27		401-67374	FELT COVER	(1)
28		401-70675	E_SCREW	(1)
29		401-69864	THREAD GUIDE	(1)
30		700-00497	E_SCREW	(1)
31		700-00497	E_SCREW	(1)
32		401-70669	E_SCREW	(1)
33		401-67378	E_SCREW	(1)
34	#09	400-04716	UPPER LOOPER HOLDER PIN A	(1)
35	#09	400-04718	UPPER LOOPER HOLDER PIN B	(1)
36	#09	400-04720	UPPER LOOPER HOLDER PIN C	(1)
37	#09	400-04722	UPPER LOOPER HOLDER PIN D	(1)
38		700-00728	OIL YARN	(2)
39		CQ-2020000-00	COTTON OIL WICK D=2	(0.036)
40		CQ-2000000-00	COTTON OIL WICK D=2	(0.036)
41	#08	*****	LOOPER	1
42		401-67364	RUBBER PLUG	1
43	#04	700-00196	THREAD CROSSING	1
44	#02	700-00812	THREAD GUIDE	1
45	#03	401-59683	THREAD GUIDE	1
46		401-67383	GUIDE SUPPORT GAUGE	1
47		401-67384	O-RING	1
48		401-67382	PIN	1
49		700-00247	BUSHING	1
50		401-67359	OIL SEAL	1
51		401-67357	ARBOR	1
52		700-00342	GASKET	1
53		700-00613	WASHER	1
54		700-00517	E_SCREW	1
55		401-67362	COVER	1
56		401-67363	COVER	(1)
57		700-00268	OIL SEAL	(1)
58		700-00521	E_SCREW	2
59		700-00202	THREAD CROSSING COMB.	1
60		700-00197	THREAD CROSSING	(1)
61		700-00198	THREAD CROSSING	(1)
62		700-00501	E_SCREW	(1)
63		700-00515	E_SCREW	1
64		700-00201	GRADUATED PLATE COMB.	1
65		700-00194	FIXED PLATE	(1)
66		700-00200	THREAD CROSSING	(1)
67		700-00195	THREAD CROSSING	(1)
68		700-00501	E_SCREW	(2)
69		700-00350	WASHER	(2)
70		700-00521	E_SCREW	2
71	#02	401-59666	COLLAR COMB.	1
72	#03	700-00807	COLLAR COMB.	1
73	#05	401-59676	COLLAR COMB.	1
74	#01	401-59677	COLLAR COMB.	1
75		700-00522	E_SCREW	(2)
76	#02	401-59665	COLLAR	(1)
77	#01	401-77859	COLLAR	(1)
78	#05	401-59715	COLLAR	(1)
79		700-00587	M_SCREW	2
80		401-67358	BUSHING	1

NOTE

- #01...FOR 04D/16D
- #02...FOR 14D-44H
- #03...FOR 16D-50H
- #04...FOR 04D/14D/16D/43D
- #05...FOR 14D/43D/16D-50H
- #06...FOR 14D/43D/14D-44H
- #07...FOR 04D/16D/16D-50H
- #08...REFER "MO-6800D GAUGE TABLE"
- #09...SELECTIVE PARTS

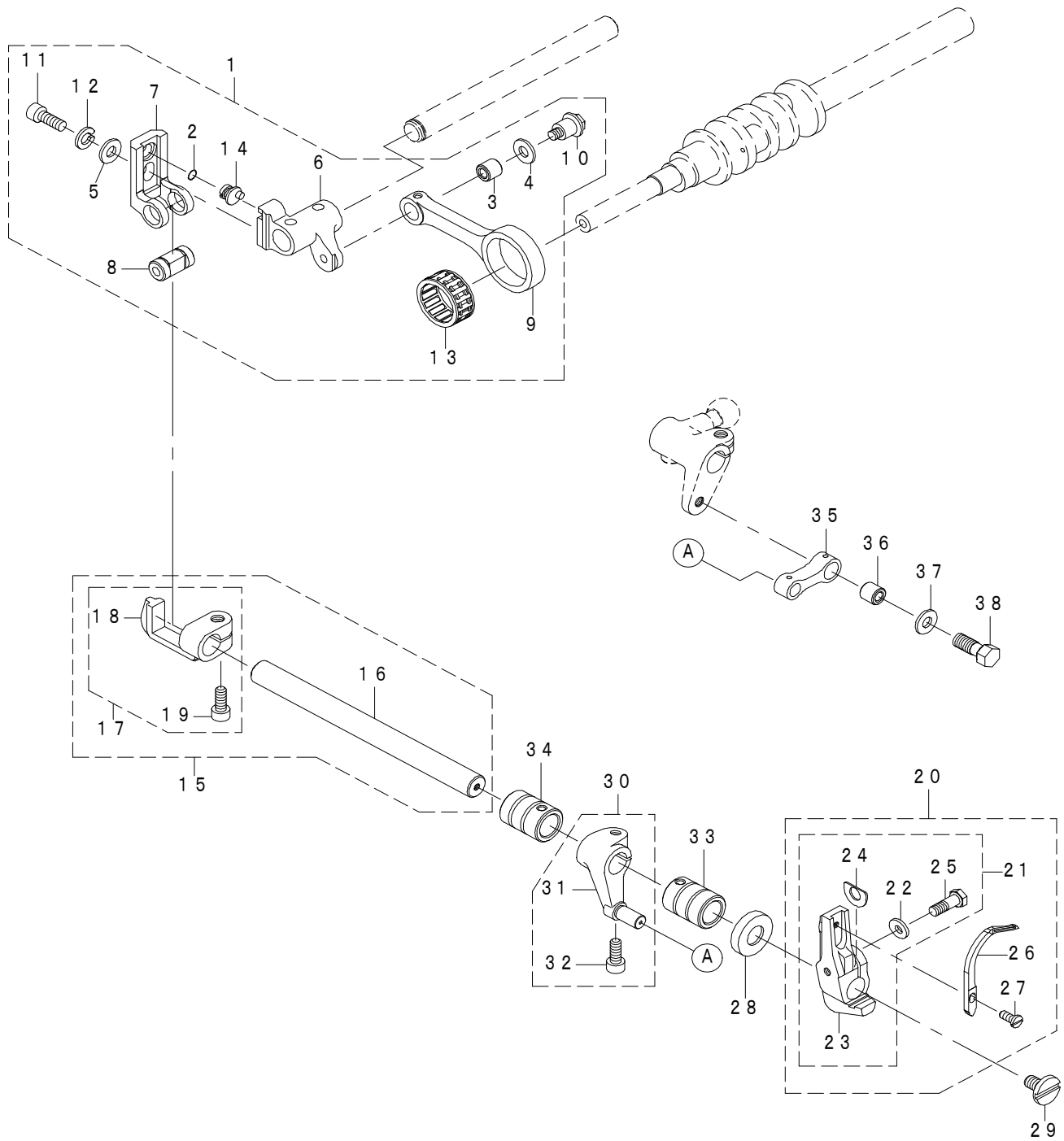
8. LOWER LOOPER COMPONENTS

MODEL	04D/14D	16D/43D	16D-50H
PARTS NO	15		16
	1		2
	25	37	
		38	
	24	36	
	17	35	



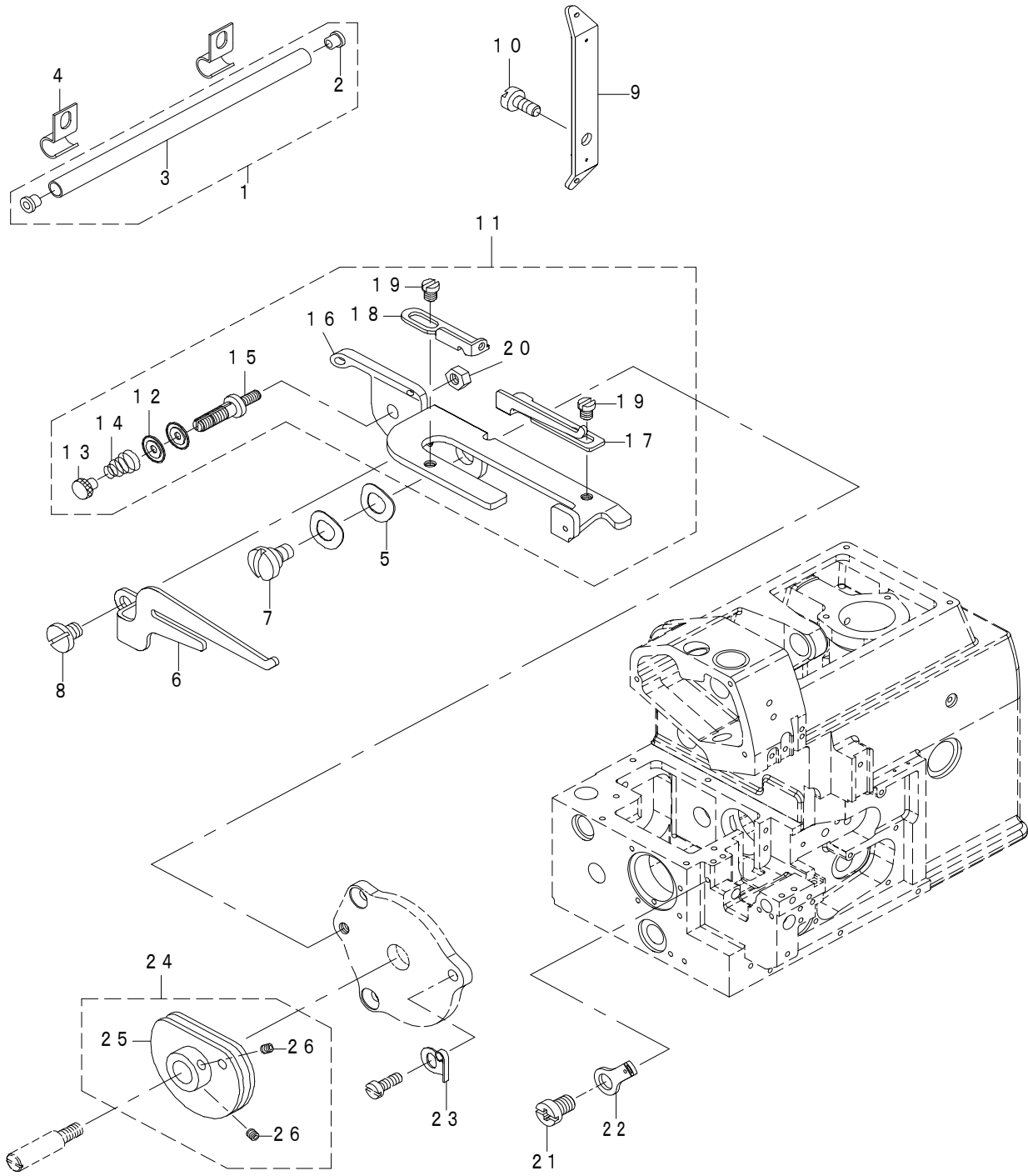
REF.NO	NOTE	PART NO	DESCRIPTION	Qty
1	#04	401-59692	LOOPER HOLDER COMB.	1
2	#03	401-59694	LOOPER HOLDER COMB.	1
3		700-00407	LOOPER HOLDER COMB	(1)
4		700-00406	LOOPER HOLDER	(1)
5		700-00667	PIN	(1)
6		700-00380	GASKET	(1)
7		700-00531	E_SCREW	(1)
8		700-00751	WASHER	(1)
9		700-00511	E_SCREW	(1)
10		700-00175	EJECTOR PLATE	(1)
11		700-00505	E_SCREW	(1)
12		700-00405	LOOPER	(1)
13		700-00525	E_SCREW	(1)
14		700-00506	E_SCREW	(1)
15	#04	700-00199	THREAD GUIDE PLATE	(1)
16	#03	401-59693	THREAD GUIDE PLATE	(1)
17	#01	401-59689	BALL CONNECTING ROD COMB.	1
18		401-79596	CONNECTING ROD	(1)
19		401-78084	BALL CONNECTING ROD	(1)
20		401-79597	E_SCREW	(2)
21		401-79597	E_SCREW	(2)
22		401-59684	FIXED JAW	(1)
23		700-00545	E_SCREW	(1)
24	#01	700-00415	BALL CONNECTING ROD	(1)
25	#01	700-00413	BALL CONNECTING ROD	(1)
26		700-00590	M_SCREW	(1)
27		700-00517	E_SCREW	1
28		700-00410	BUSHING	1
29		700-00270	OIL SEAL	1
30		700-00752	WASHER	1
31		700-00410	BUSHING	1
32		700-00409	ARBOR	1
33		700-00343	GASKET	1
34		700-00614	WASHER	1
35	#02	401-59690	BALL CONNECTING ROD COMB.	1
36	#02	700-00416	BALL CONNECTING ROD	(1)
37	#02	700-00414	BALL CONNECTING ROD	(1)
38	#02	700-00522	E_SCREW	(1)
39		700-00590	M_SCREW	(1)
		NOTE	#01....FOR 04D/14D #02....FOR 16D/43D #03....FOR 16D-50H #04....FOR 04D/14D/16D/43D	

9. CHAIN LOOPER COMPONENTS (1)



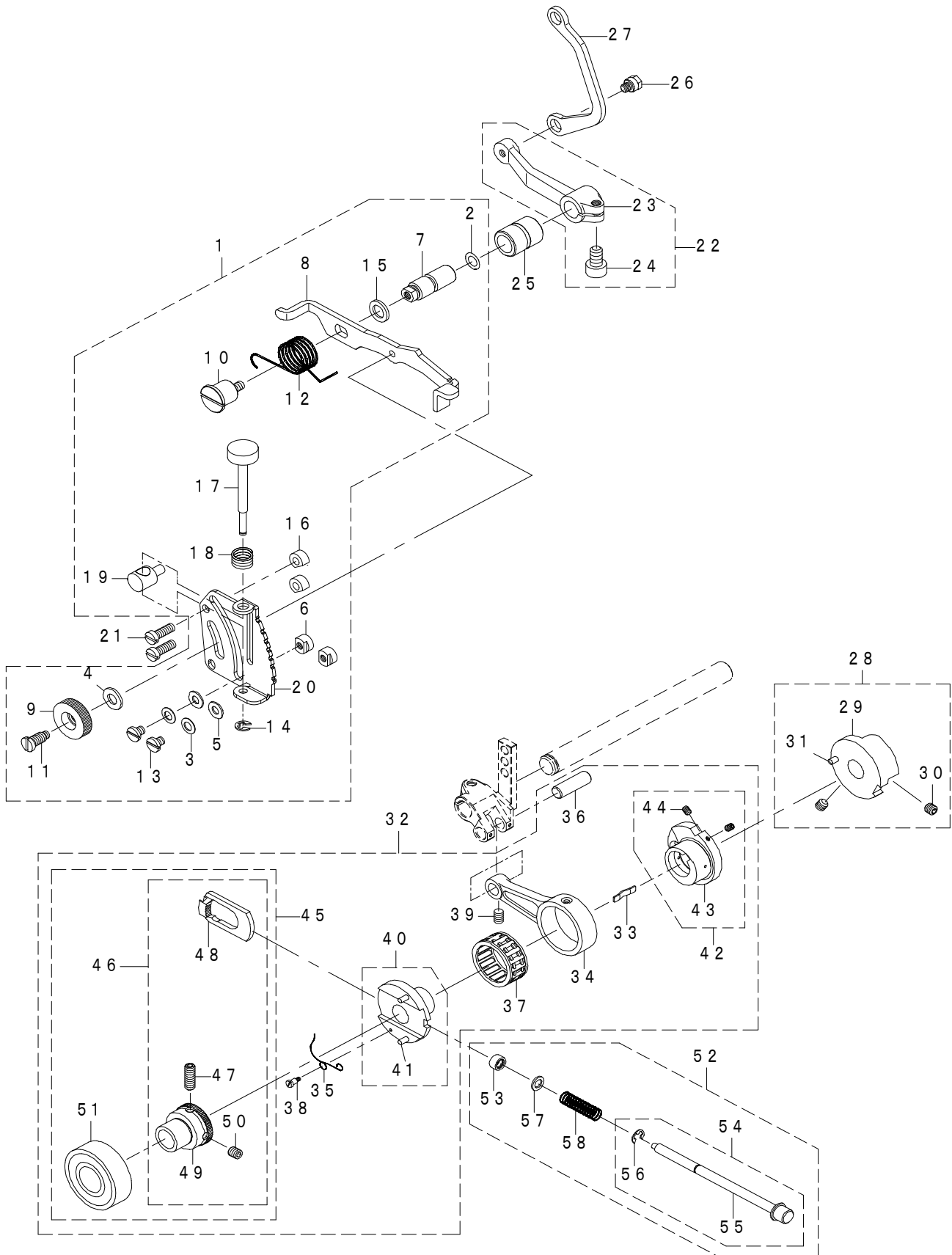
REF.NO	NOTE	PART NO	DESCRIPTION	Qty
1		700-00479	CONNECTING ROD COMB.	1
2		700-00139	O-RING	(1)
3		700-00317	BUSHING	(1)
4		700-00346	GASKET	(1)
5		700-00357	WASHER	(1)
6		700-00463	ADJUSTING SEAT	(1)
7		700-00464	ADJUSTING SEAT	(1)
8		700-00467	SHAFT	(1)
9		700-00478	CONNECTING ROD	(1)
10		700-00514	E_SCREW	(1)
11		700-00561	E_SCREW	(1)
12		700-00616	WASHER	(1)
13		700-00697	BEARING	(1)
14		700-00703	ECCENTRIC	(1)
15		700-00465	SLIDE BLOCK GUIDE	1
16		700-00461	SHAFT	(1)
17		700-00466	SLIDE BLOCK GUIDE	(1)
18		700-00462	SLIDE BLOCK GUIDE	(1)
19		700-00590	M_SCREW	(1)
20		700-00475	LOOPER COMB.	1
21		700-00476	LOOPER HOLDER	(1)
22		700-00351	WASHER	(1)
23		700-00474	LOOPER HOLDER	(1)
24		700-00380	GASKET	(1)
25		700-00531	E_SCREW	(1)
26		700-00473	LOOPER	(1)
27		700-00508	E_SCREW	(1)
28		700-00270	OIL SEAL	1
29		700-00525	SCREW	1
30		700-00471	LOOPER CONNECTING ROD	1
31		700-00470	LOOPER CONNECTING ROD	(1)
32		700-00590	M_SCREW	(1)
33		700-00477	BUSHING	1
34		700-00410	BUSHING	1
35		700-00472	CONNECTING ROD	1
36		700-00317	BUSHING	1
37		700-00346	GASKET	1
38		700-00514	E_SCREW	1

10. CHAIN LOOPER COMPONENTS (2)



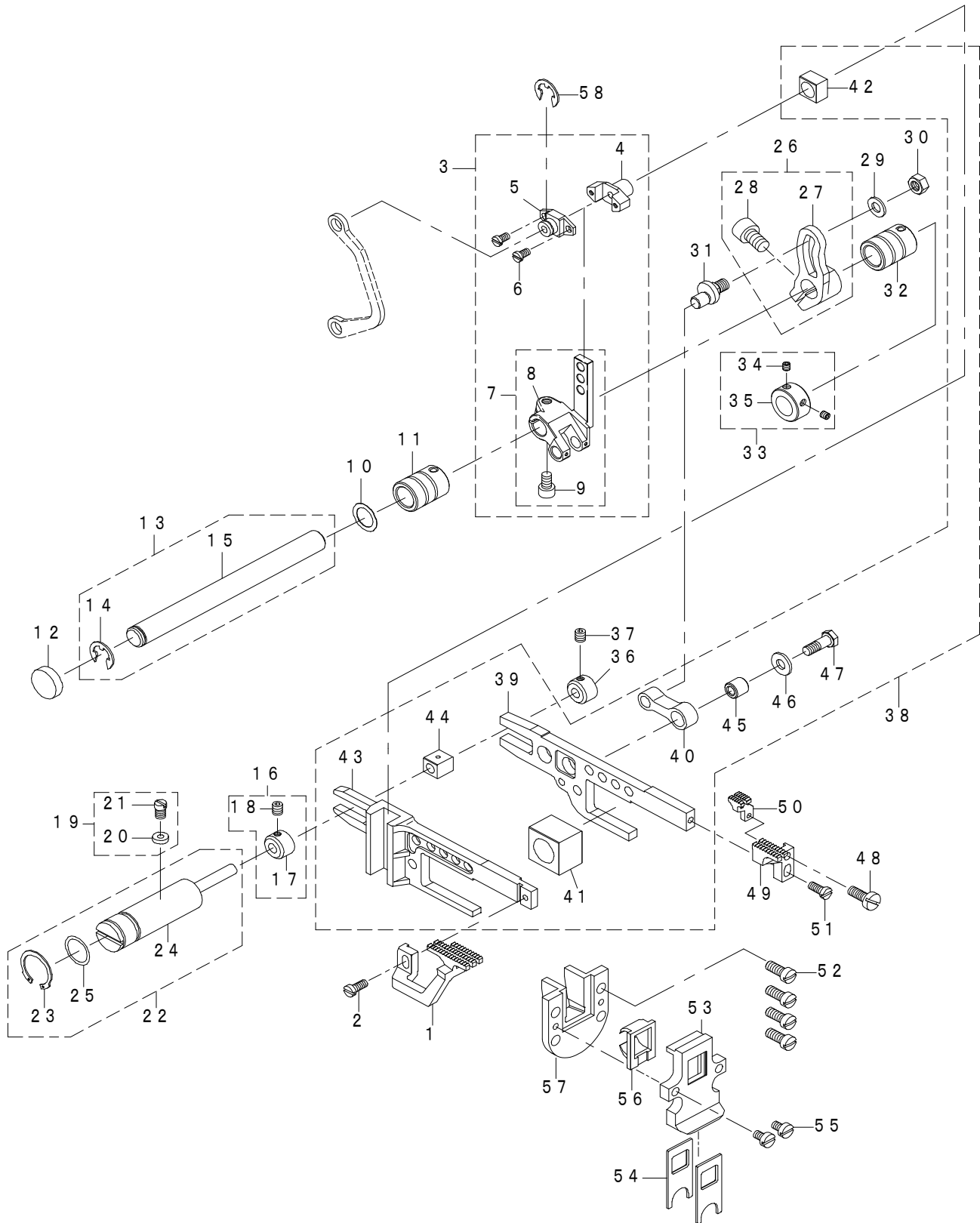
REF.NO	NOTE	PART NO	DESCRIPTION	Qty
1		700-00397	DUCT COMB.	1
2		700-00172	PLUG	(2)
3		700-00396	DUCT	(1)
4		700-00398	FIXED PLATE	2
5		700-00359	WASHER	2
6		700-00387	THREAD GUIDE PLATE	1
7		700-00519	E_SCREW	1
8		700-00576	M_SCREW	1
9		700-00384	THREAD CROSSING	1
10		700-00513	E_SCREW	1
11		700-00391	THREAD TAKE-UP DEVICE	1
12		700-00392	THREAD GRIP	(2)
13		700-00393	THREAD TENSION KNOB	(1)
14		700-00394	SPRING	(1)
15		700-00395	THREAD TENSION SHAFT	(1)
16		700-00388	BRACKET	(1)
17		700-00389	THREAD GUIDE PLATE	(1)
18		700-00390	THREAD GUIDE PLATE	(1)
19		700-00571	M_SCREW	(2)
20		700-00452	NUT	(1)
21		700-00557	E_SCREW	1
22		700-00383	THREAD GUIDE PLATE	1
23		700-00448	SPRING PLATE	1
24		700-00386	THREAD TENSION CAM	1
25		700-00385	THREAD TENSION CAM	(1)
26		700-00498	E_SCREW	(2)

11. FEED MECHANISM COMPONENTS (1)



REF.NO	NOTE	PART NO	DESCRIPTION	Qty
1		401-59707	FEED DOG SEAT COMB.	1
2		700-00140	O-RING	(1)
3		700-00344	GASKET	(2)
4		700-00345	WASHER	(1)
5		700-00349	WASHER	(2)
6		700-00372	FIXED BLOCK	(2)
7		700-00373	ADJUSTING SEAT	(1)
8		700-00379	ADJUSTING PLATE	(1)
9		700-00450	NUT	(1)
10		700-00495	SCREW	(1)
11		700-00542	E_SCREW	(1)
12		700-00601	SPRING	(1)
13		700-00512	E_SCREW	(2)
14		700-00131	E_CIRCLIPS	(1)
15		700-00353	WASHER	(1)
16		401-59702	SPACER	(2)
17		401-59703	ADJUSTING SCREW	(1)
18		401-59704	SPRING	(1)
19		401-59705	BLOCK	(1)
20		401-59706	FEED DOG SEAT	(1)
21		700-00523	E_SCREW	2
22		700-00370	DIFFERENTIAL CONNECTING ROD ASM.	1
23		700-00369	DIFFERENTIAL CONNECTING ROD	(1)
24		700-00590	M_SCREW	(1)
25		401-59700	BUSHING	1
26		700-00552	E_SCREW	1
27		401-59701	CONNECTING ROD	1
28		700-00276	ADJUSTING WHEEL	1
29		700-00275	ADJUSTING WHEEL	(1)
30		700-00582	M_SCREW	(2)
31		700-00666	PIN	(1)
32		401-59709	CONNECTING ROD COMB.	1
33		700-00162	SPRING PLATE	(1)
34		700-00277	CONNECTING ROD	(1)
35		700-00602	SPRING	(1)
36		700-00662	PIN	(1)
37		700-00698	BEARING	(1)
38		401-59629	M_SCREW	(1)
39		700-00503	E_SCREW	(1)
40		700-00282	ECCENTRIC	(1)
41		700-00665	PIN	(2)
42		700-00289	ECCENTRIC	(1)
43		700-00288	ECCENTRIC	(1)
44		700-00502	E_SCREW	(2)
45		700-00741	ADJUSTING WHEEL COMB.	(1)
46		700-00740	ADJUSTING WHEEL	(1)
47		700-00583	M_SCREW	(1)
48		700-00738	SLIDE BLOCK	(1)
49		700-00739	ADJUSTING WHEEL	(1)
50		700-00582	M_SCREW	(1)
51		700-00694	BEARING	(1)
52		700-00284	SHAFT COMB.	1
53		700-00137	O-RING	(1)
54		700-00286	SHAFT	(1)
55		700-00283	SHAFT	(1)
56		700-00131	E_CIRCLIPS	(1)
57		700-00358	WASHER	(1)
58		700-00600	SPRING	(1)

12. FEED MECHANISM COMPONENTS (2)

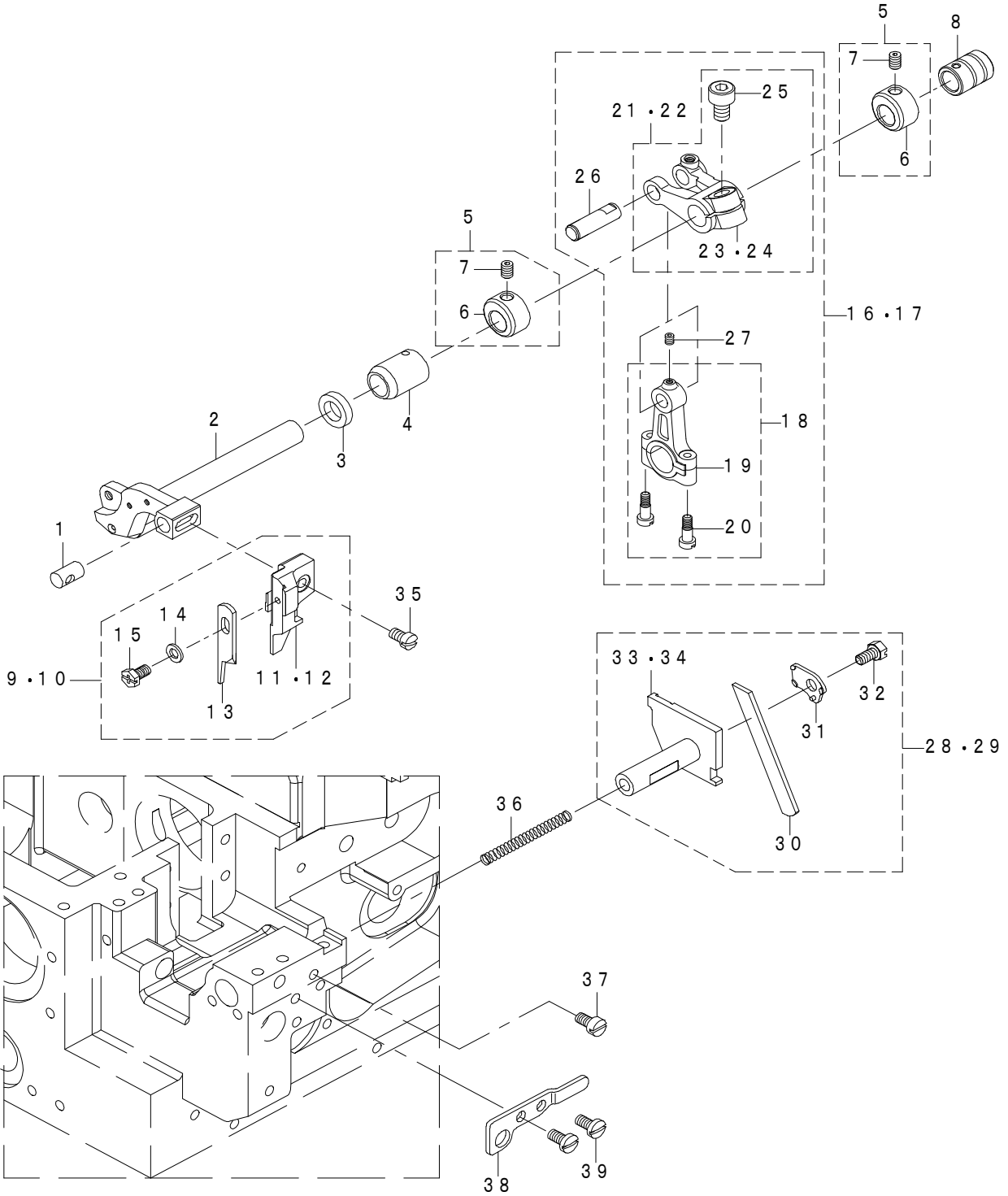


REF.NO	NOTE	PART NO	DESCRIPTION	Qty
1	#01	*****	FEED DOG	1
2		700-00509	E_SCREW	1
3		700-00683	CRANK COMB.	1
4		700-00374	ROCKING SEAT	(1)
5		700-00375	ROCKING SEAT	(1)
6		700-00558	E_SCREW	(2)
7		700-00684	CRANK	(1)
8		700-00681	CRANK	(1)
9		700-00590	M_SCREW	(1)
10		700-00361	WASHER	1
11		700-00280	BUSHING	1
12		700-00446	OIL SEAL	1
13		401-59717	ECCENTRIC SHAFT COMB.	1
14		700-00133	E_CIRCLIPS	(1)
15		401-59716	ECCENTRIC SHAFT	(1)
16		700-00435	COLLAR	1
17		700-00433	COLLAR	(1)
18		700-00522	E_SCREW	(1)
19		700-00147	OIL SEAL COMB.	1
20		700-00138	OIL SEAL	(1)
21		700-00548	E_SCREW	(1)
22		700-00734	ECCENTRIC SHAFT	1
23		700-00135	E_CIRCLIPS	(1)
24		700-00733	ECCENTRIC SHAFT	(1)
25		700-00141	O-RING	(1)
26		700-00685	CRANK	1
27		700-00682	CRANK	(1)
28		700-00590	M_SCREW	(1)
29		700-00356	WASHER	1
30		700-00458	NUT	1
31		700-00688	ADJUSTING SHAFT	1
32		700-00410	BUSHING	1
33		401-59676	COLLAR	1
34		700-00522	E_SCREW	(2)
35		401-59715	COLLAR	(1)
36		700-00433	COLLAR	1
37		700-00522	E_SCREW	1
38		700-00731	FEED DOG SEAT COMB.	1
39		700-00422	FEED DOG SEAT	(1)
40		700-00423	CONNECTING ROD	(1)
41		700-00429	SLIDE BLOCK	(1)
42		700-00686	SLIDE BLOCK	(1)
43		700-00689	FEED DOG SEAT	(1)
44		700-00732	SLIDE BLOCK	(1)
45		700-00317	BUSHING	(1)
46		700-00346	GASKET	(1)
47		700-00514	E_SCREW	(1)
48		700-00572	M_SCREW	1
49	#01	*****	FEED DOG	1
50	#01	*****	FEED DOG	1
51		700-00509	E_SCREW	1
52		700-00530	E_SCREW	4
53		700-00151	OIL SCRAPER HOLDER	1
54		700-00152	OIL SEAL	2
55		700-00508	E_SCREW	2
56		401-59718	OIL SEAL	1
57		401-59719	SLIDE BLOCK	1
58		700-00132	E_CIRCLIPS	1

NOTE #01....REFER "MO-6800D GAUGE TABLE"

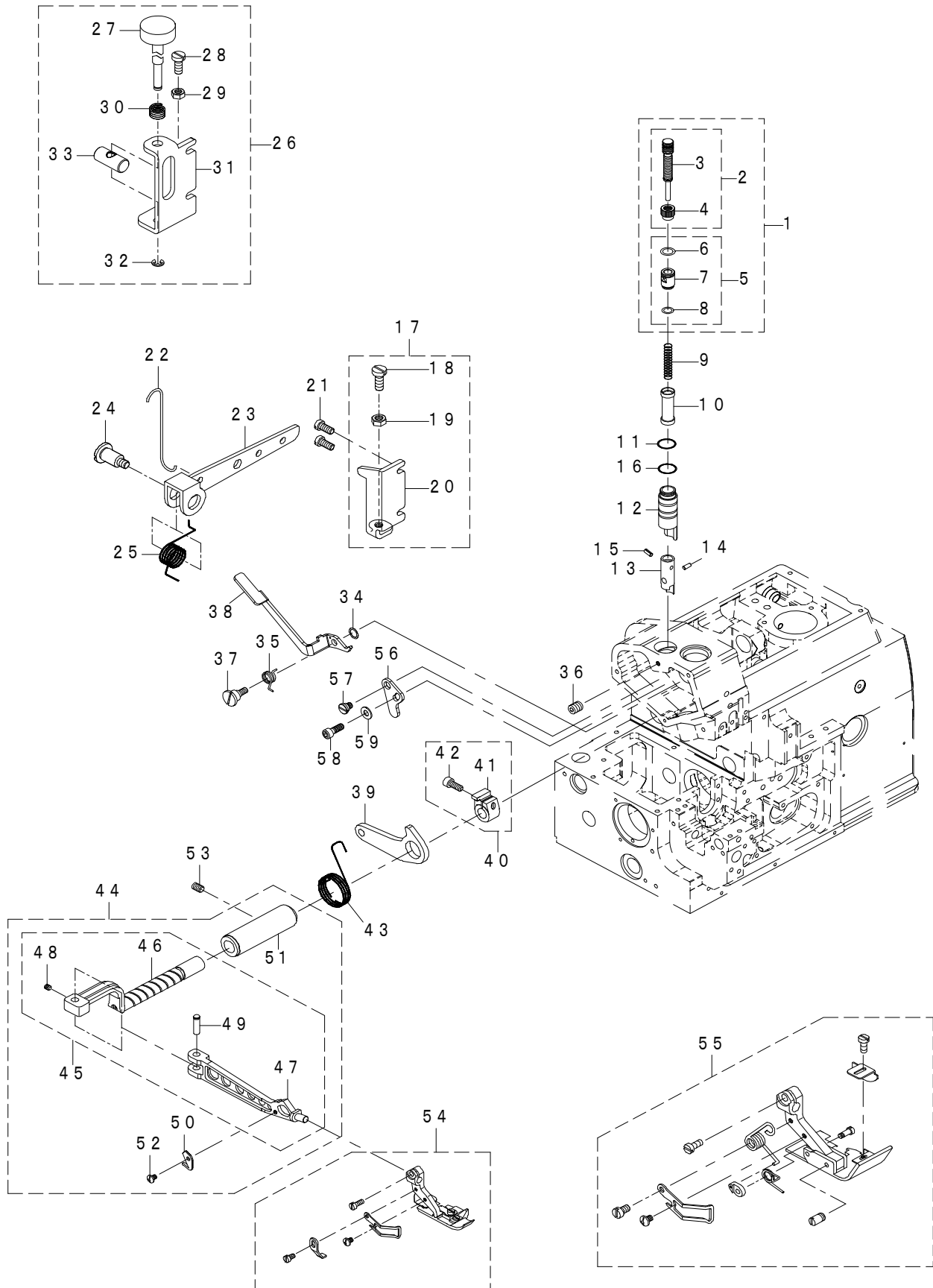
13. KNIFE COMPONENTS

MODEL	04D/14D	16D/43D
PARTS NO	23	24
	21	22
	16	17
	11	12
	9	10
	33	34
	28	29



REF.NO	NOTE	PART NO	DESCRIPTION	Qty
1		700-00230	SHAFT	1
2		700-00235	SWING AXLE	1
3		700-00269	OIL SEAL	1
4		700-00237	BUSHING	1
5		700-00436	COLLAR	2
6		700-00434	COLLAR	(2)
7		700-00522	E_SCREW	(2)
8		700-00236	BUSHING	1
9	#01	401-78003	KNIFE SEAT COMB.	1
10	#02	401-59734	KNIFE SEAT COMB.	1
11	#01	401-72528	KNIFE SEAT	(1)
12	#02	401-72529	KNIFE SEAT	(1)
13		700-00229	KNIFE	(1)
14		700-00347	GASKET	(1)
15		700-00510	E_SCREW	(1)
16	#01	401-59729	CONNECTING ROD	1
17	#02	401-59732	CONNECTING ROD	1
18		401-59728	CONNECTING ROD	(1)
19		401-59727	CONNECTING ROD	(1)
20		700-00578	M_SCREW	(2)
21	#01	700-00721	ROCKING BAR	(1)
22	#02	700-00842	ROCKING BAR COMB.	(1)
23	#01	700-00720	ROCKING BAR	(1)
24	#02	700-00841	ROCKING BAR	(1)
25		700-00590	M_SCREW	(1)
26		401-59726	PIN	(1)
27		700-00522	E_SCREW	(1)
28	#01	700-00402	KNIFE SEAT COMB.	1
29	#02	700-00845	KNIFE SEAT COMB.	1
30		700-00399	KNIFE	(1)
31		700-00400	FIXED PLATE	(1)
32		700-00517	E_SCREW	(1)
33	#01	700-00403	KNIFE SEAT	(1)
34	#02	700-00813	KNIFE SEAT	(1)
35		700-00521	E_SCREW	1
36		700-00603	SPRING	1
37		700-00524	E_SCREW	1
38		700-00401	FIXED PLATE	1
39		700-00515	E_SCREW	2
	NOTE		#01....FOR 04D/14D #02....FOR 16D/43D	

14. PRESSER FOOT COMPONENTS

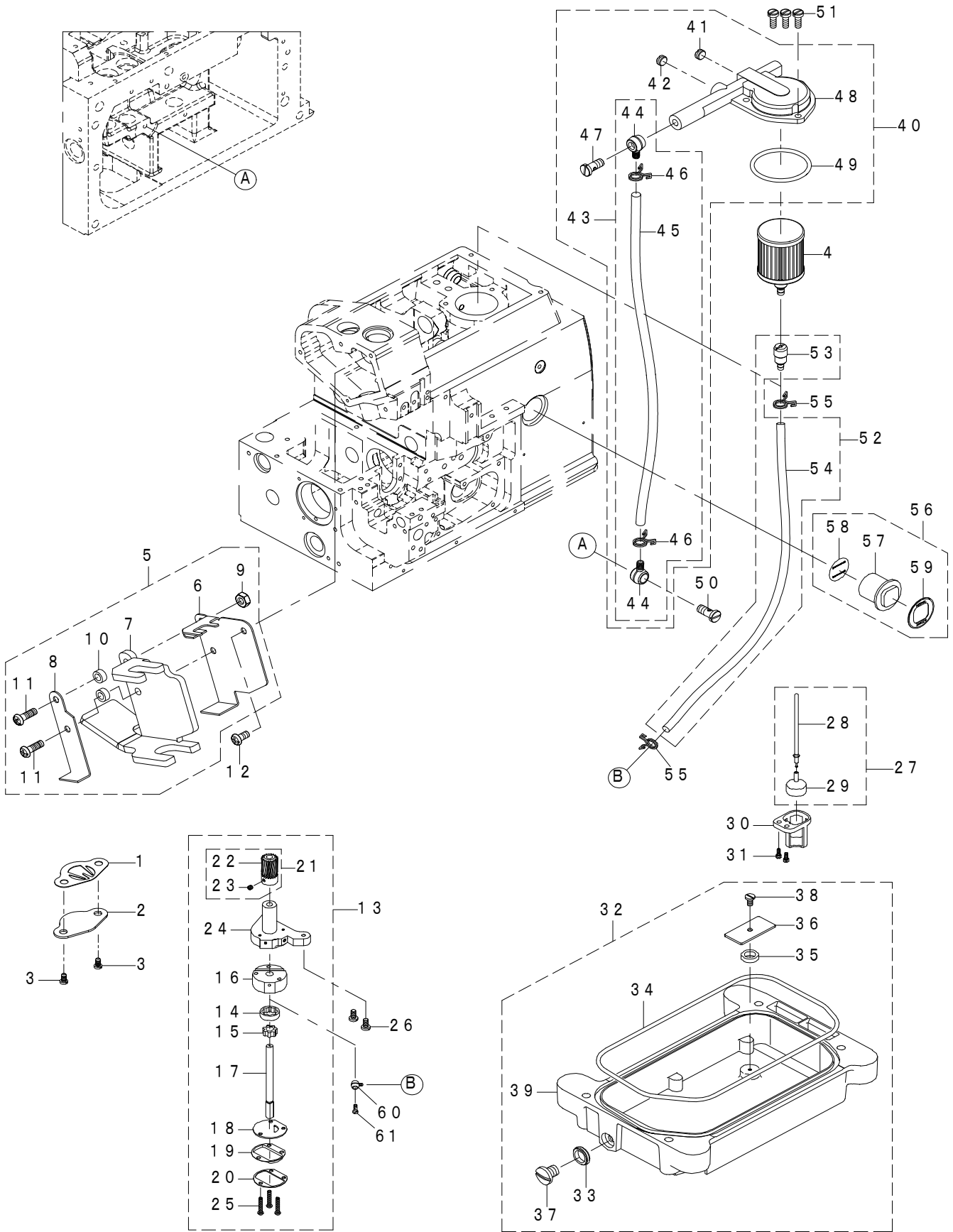


REF.NO	NOTE	PART NO	DESCRIPTION	Qty
1		401-59745	SCREW ROD COMB.	1
2		401-59746	SCREW ROD COMB.	(1)
3		401-59741	SCREW ROD	(1)
4		401-59742	NUT	(1)
5		401-59744	FIXED BUTTON	(1)
6		700-00141	O-RING	(1)
7		401-59743	FIXED BUTTON	(1)
8		700-00142	O-RING	(1)
9		700-00608	SPRING	1
10		401-59753	THIMBLE	1
11		700-00142	O-RING	1
12		401-70670	PRESSER FOOT ARM	1
13		700-00309	SLIDER	1
14		700-00664	SHAFT	1
15		700-00669	PIN	1
16		700-00141	O-RING	1
17		700-00293	SUPPORTER	1
18		700-00584	M_SCREW	(1)
19		700-00458	NUT	(1)
20		700-00292	STOPPER	(1)
21		700-00515	E_SCREW	2
22		700-00294	HOOK BAR	1
23		700-00295	PRESSER FOOT ARM	1
24		700-00592	M_SCREW	1
25		700-00604	SPRING	1
26	#01	401-59749	SUPPORTER	1
27		401-59703	ADJUSTING SCREW	(1)
28		700-00584	M_SCREW	(1)
29		700-00458	NUT	(1)
30		401-59704	SPRING	(1)
31		401-59748	STOPPER	(1)
32		700-00131	E_CIRCLIPS	(1)
33		401-59750	BLOCK	(1)
34		700-00355	WASHER	1
35		401-59754	SPRING	1
36		700-00522	E_SCREW	1
37		700-00528	E_SCREW	1
38		401-59752	LEVER	1
39		700-00291	DRAG LINK	1
40		700-00302	COLLAR	1
41		700-00301	COLLAR	(1)
42		401-59751	M_SCREW	(1)
43		700-00605	SPRING	1
44		401-78006	PRESSER FOOT SEAT COMB.	1
45		401-78007	PRESSER BAR COMB.	(1)
46		401-72530	PRESSER FOOT LIFTING LEVER	(1)
47		700-00297	PRESSER FOOT ARM	(1)
48		700-00566	M_SCREW	(1)
49		700-00673	SHAFT	(1)
50		700-00176	KNIFE	(1)
51		700-00303	BUSHING	(1)
52		700-00538	E_SCREW	(1)
53		700-00522	E_SCREW	1
54	#02	*****	PRESSER FOOT	1
55	#02	*****	PRESSER FOOT	1
56		401-72531	PRESSER ARM STOPPER	1
57		401-78005	E_SCREW	1
58		700-00561	E_SCREW	1
59		700-00349	WASHER	1

NOTE

#01....OPTIONAL PARTS
#02....REFER "MO-6800D GAUGE TABLE"

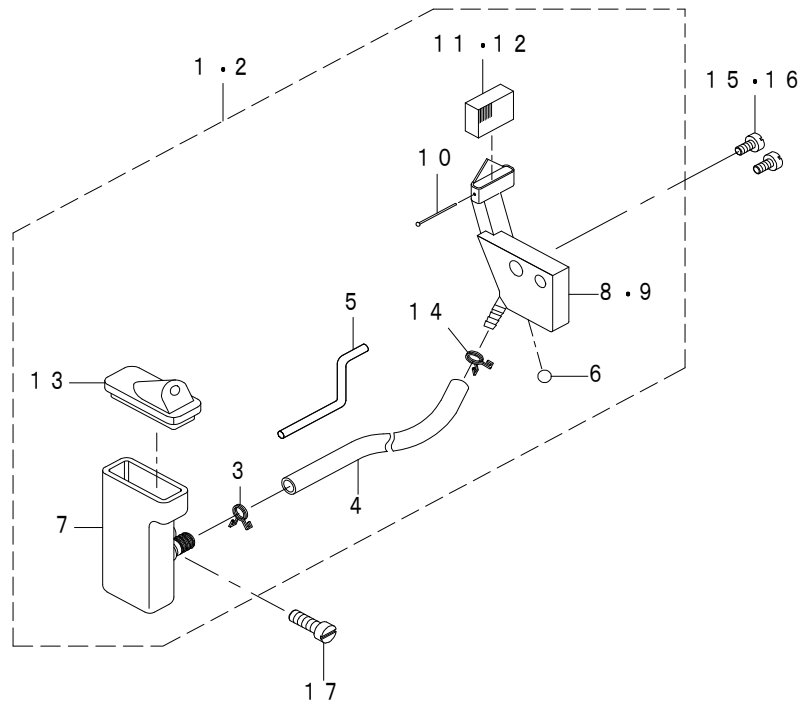
15. LUBRICATION MECHANISM COMPONENTS



REF.NO	NOTE	PART NO	DESCRIPTION	Qty
1		401-67377	LOOPER FELT PRESSER	1
2		401-67376	LOOPER FELT COVER	1
3		700-00538	E_SCREW	2
4		700-00312	OIL FILTER	1
5		401-69819	NEEDLE LUBRICATION FELT COMB.	1
6		401-67386	NEEDLE LUBRICATION FELT SEAT	(1)
7		401-67387	NEEDLE LUBRICATION FELT	(1)
8		401-67388	FELT PRESSER	(1)
9		401-67389	NUT	(1)
10		401-69818	WASHER	(2)
11		401-67390	M SCREW	(2)
12		401-67391	M SCREW	1
13		401-67366	PUMP COMB.	1
14		700-00148	GEAR	(1)
15		401-59765	GEAR	(1)
16		401-67372	PUMP BODY	(1)
17		700-00712	SHAFT	(1)
18		700-00717	PUMP COVER	(1)
19		700-00710	FILTER NET	(1)
20		700-00711	GASKET	(1)
21		401-69820	GEAR	(1)
22		700-00258	WORM WHEEL	(1)
23		700-00582	M_SCREW	(1)
24		401-67380	PUMP BODY	(1)
25		700-00575	M_SCREW	(3)
26		700-00527	E_SCREW	2
27		700-00160	OIL INDICATOR ROD COMB.	1
28		700-00159	OIL INDICATOR ROD	(1)
29		700-00261	OIL INDICATOR	(1)
30		700-00262	BAFFLE	1
31		700-00521	E_SCREW	2
32		401-59764	OIL RESERVOIR COMB.	1
33		700-00146	OIL SEAL	(1)
34		700-00273	O-RING	(1)
35		700-00381	MAGNET	(1)
36		700-00382	BAFFLE	(1)
37		700-00533	E_SCREW	(1)
38		700-00518	E_SCREW	(1)
39		401-59763	OIL RESERVOIR COMB.	(1)
40		402-35230	OIL_FILTER_ASM.	1
41		402-35232	M_SCREW	(1)
42		*****	E_SCREW	1
43		402-35233	OIL_TUBE_GROUP	(1)
44		700-00323	JOINT	(2)
45		402-35234	HOSE	(1)
46		700-00658	SPRING CLAMP	(2)
47		700-00532	E_SCREW	(1)
48		402-35231	OIL_FILTER	(1)
49		700-00144	OIL_FILTER	(1)
50		700-00532	E_SCREW	1
51		700-00520	E_SCREW	3
52		700-00328	OIL TUBE COMB	1
53		700-00428	JOINT	(1)
54		700-00326	HOSE	(1)
55		700-00658	SPRING CLAMP	2
56		401-59762	OIL LEVEL INSPECTION LENS COMB.	1
57		700-00157	OIL LEVEL INSPECTION LENS	(1)
58		700-00158	NAME PLATE	(1)
59		401-59761	NAME PLATE	(1)
60		700-00323	JOINT	1
61		700-00532	E_SCREW	1

16. NEEDLE COOLER UNIT COMPONENTS

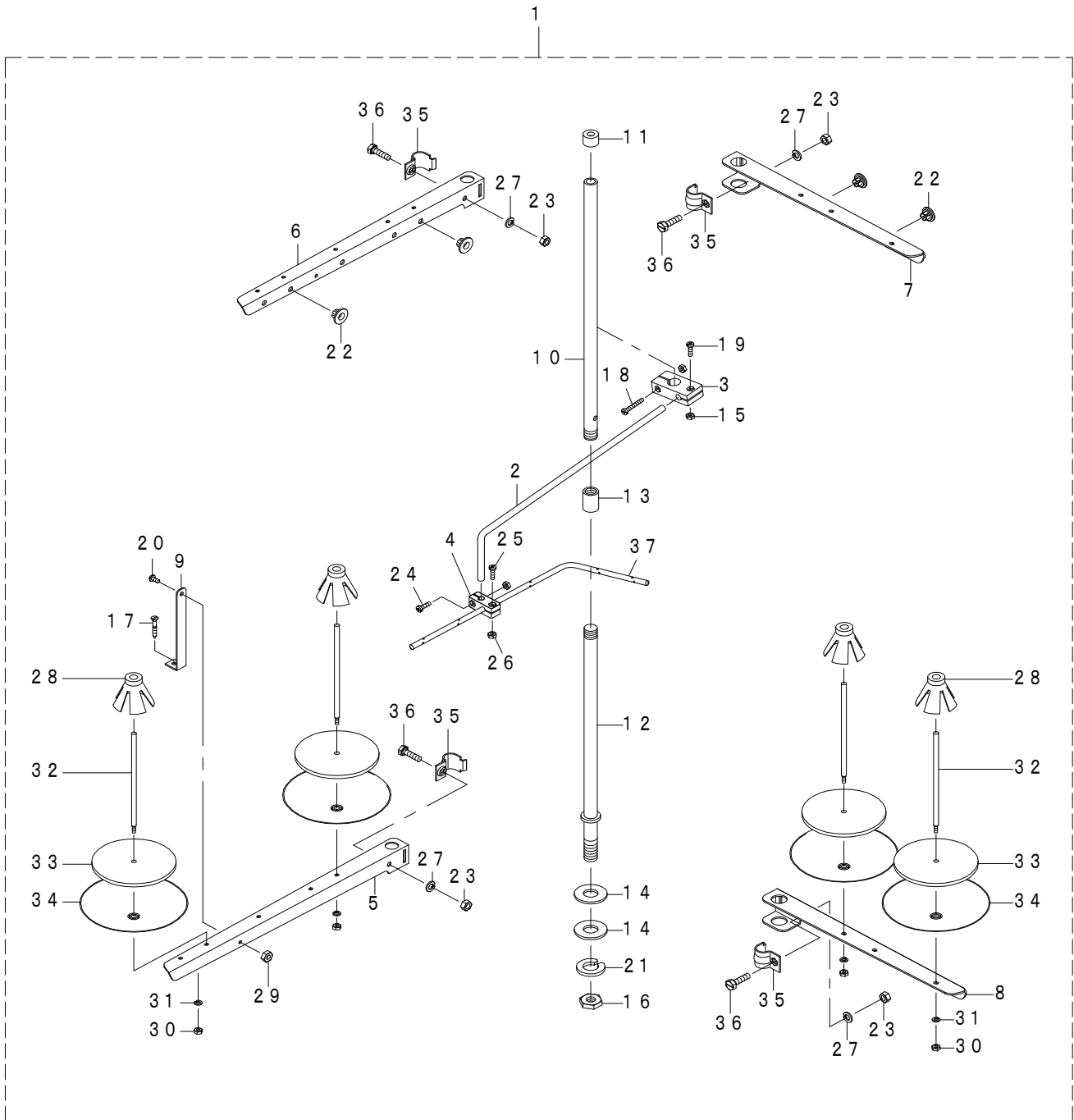
MODEL	04D/14D	16D/43D
PARTS NO	11	12
	8	9
	1	2
	15	16



REF.NO	NOTE	PART NO	DESCRIPTION	Qty
1	#01	401-59772	OILER	1
2	#02	401-59775	OILER	1
3		700-00658	SPRING CLAMP	(1)
4		401-59768	HOSE	(1)
5		401-59769	OIL WICK	(1)
6		401-59770	BALL	(1)
7		401-59771	OILER	(1)
8	#01	401-59776	DIVIDING SEAT	(1)
9	#02	401-59774	DIVIDING SEAT	(1)
10		401-59778	NAIL	(1)
11	#01	401-59777	OIL FELT	(1)
12	#02	401-59773	OIL FELT	(1)
13		401-59779	OILER COVER	(1)
14		700-00658	SPRING CLAMP	(1)
15	#01	700-00526	E_SCREW	1
16	#02	700-01060	E_SCREW	2
17		*****	E_SCREW	1
	NOTE		#01....FOR 04D/14D	
			#02....FOR 16D/43D	

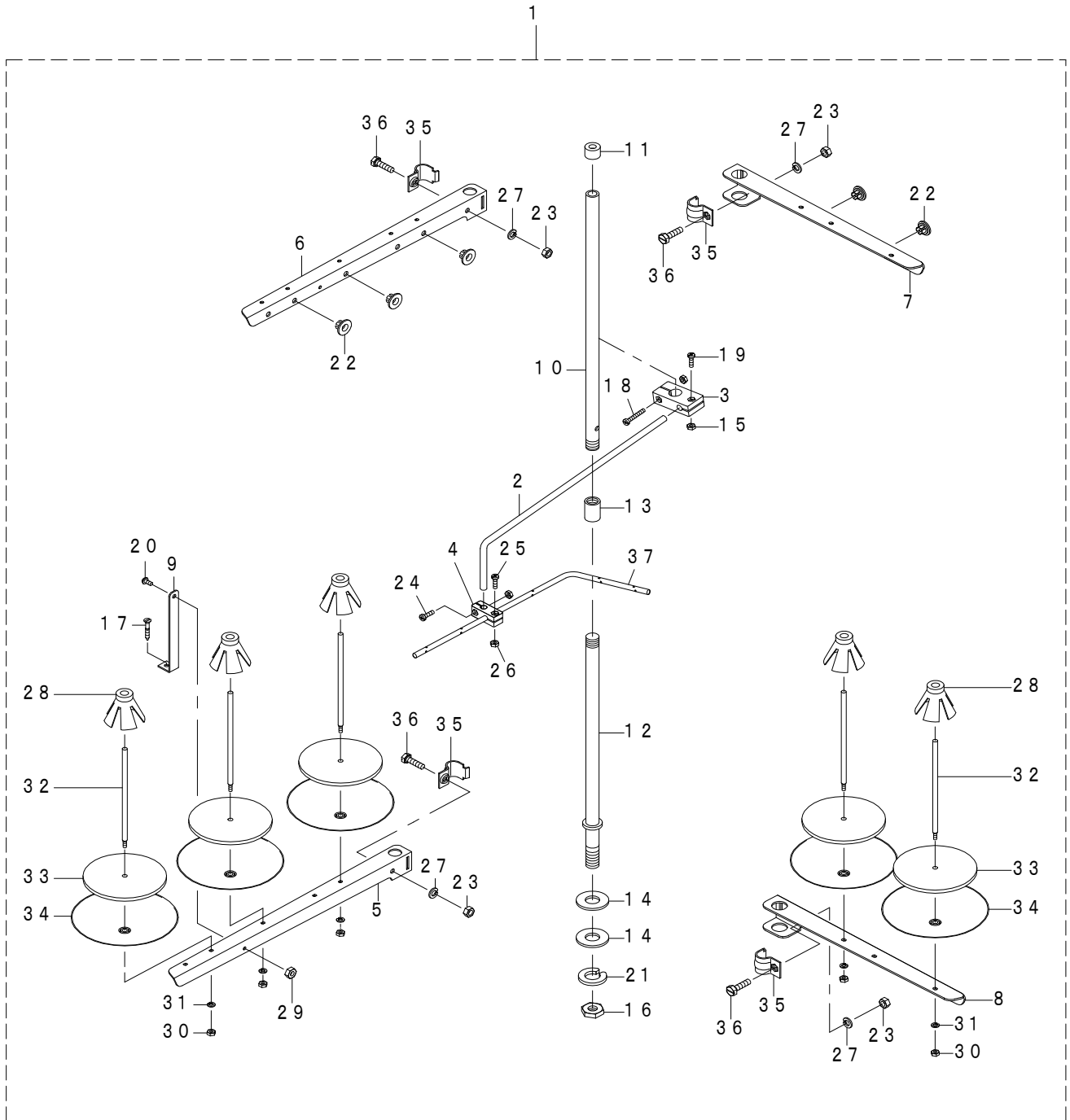
REF.NO	NOTE	PART NO	DESCRIPTION	Qty
1		401-79483	THREAD STAND COMB.	1
2		700-00179	THREAD GUIDE BAR	(1)
3		700-00180	FIXED SEAT	(1)
4		700-00181	FIXED SEAT	(1)
5		700-00182	THREAD GUIDE BAR	(1)
6		700-00183	THREAD GUIDE BAR	(1)
7		700-00186	SUPPORTER	(1)
8		700-00188	THREAD STAND ROD	(1)
9		700-00189	THREAD STAND COVER	(1)
10		700-00190	THREAD STAND ROD	(1)
11		700-00191	FIXED PLATE	(2)
12		700-00192	CONNECTING LOOP	(1)
13		700-00215	COILING SEAT	(3)
14		700-00216	SPONGY CUSHION	(3)
15		700-00217	CONNECTING LOOP	(3)
16		700-00218	THREAD STEADY BALL SEAT	(3)
17		700-00219	PLUG	(3)
18		700-00354	WASHER	(2)
19		700-00454	NUT	(2)
20		700-00455	NUT	(1)
21		700-00456	NUT	(2)
22		700-00547	E_SCREW	(1)
23		700-00579	M_SCREW	(1)
24		700-00580	M_SCREW	(1)
25		700-00581	M_SCREW	(1)
26		700-00589	M_SCREW	(2)
27		700-00611	WASHER	(2)
28		700-00615	WASHER	(3)
29		700-00618	WASHER	(1)
30		700-00580	M_SCREW	(1)
31		700-00580	M_SCREW	(1)
32		700-00454	NUT	(2)
33		700-00454	NUT	(1)
34		700-00454	NUT	(3)
35		700-00178	THREAD GUIDE PLATE	(1)

18. THREAD STAND COMPONENTS (FOR MO-6814D)



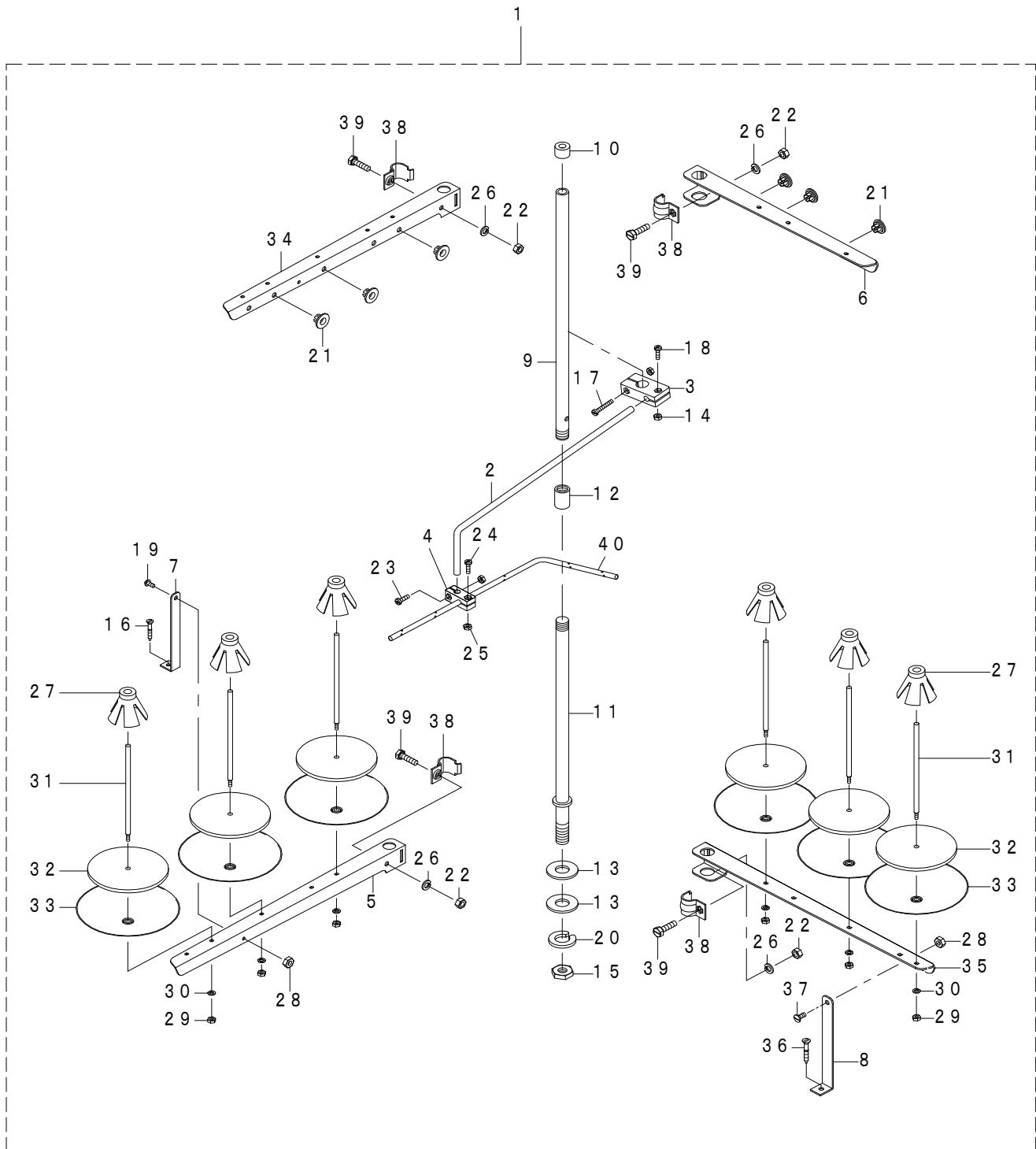
REF.NO	NOTE	PART NO	DESCRIPTION	Qty
1		401-79484	THREAD STAND COMB.	1
2		700-00179	THREAD GUIDE BAR	(1)
3		700-00180	FIXED SEAT	(1)
4		700-00181	FIXED SEAT	(1)
5		700-00182	THREAD GUIDE BAR	(1)
6		700-00183	THREAD GUIDE BAR	(1)
7		700-00184	THREAD GUIDE BAR	(1)
8		700-00185	THREAD GUIDE BAR	(1)
9		700-00186	SUPPORTER	(1)
10		700-00188	THREAD STAND ROD	(1)
11		700-00189	THREAD STAND COVER	(1)
12		700-00190	THREAD STAND ROD	(1)
13		700-00192	CONNECTING LOOP	(1)
14		700-00354	WASHER	(2)
15		700-00454	NUT	(2)
16		700-00455	NUT	(1)
17		700-00547	E_SCREW	(1)
18		700-00579	M_SCREW	(1)
19		700-00580	M_SCREW	(1)
20		700-00581	M_SCREW	(1)
21		700-00618	WASHER	(1)
22		700-00219	PLUG	(4)
23		700-00456	NUT	(4)
24		700-00580	M_SCREW	(1)
25		700-00580	M_SCREW	(1)
26		700-00454	NUT	(2)
27		700-00611	WASHER	(4)
28		700-00218	THREAD STEADY BALL SEAT	(4)
29		700-00454	NUT	(1)
30		700-00454	NUT	(4)
31		700-00615	WASHER	(4)
32		700-00217	CONNECTING LOOP	(4)
33		700-00216	SPONGY CUSHION	(4)
34		700-00215	COILING SEAT	(4)
35		700-00191	FIXED PLATE	(4)
36		700-00589	M_SCREW	(4)
37		700-00178	THREAD GUIDE PLATE	(1)

19. THREAD STAND COMPONENTS (FOR MO-6816D)



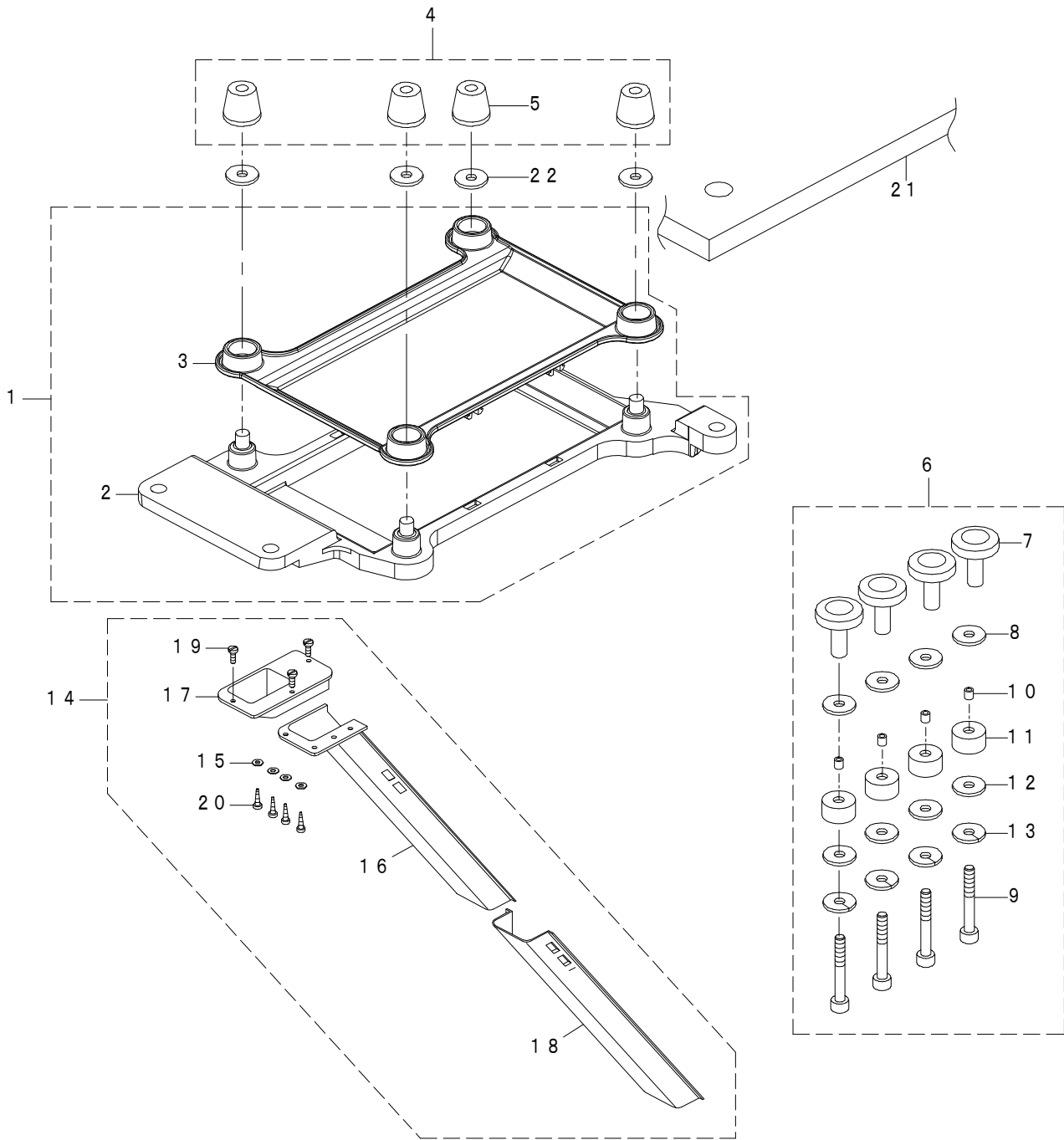
REF.NO	NOTE	PART NO	DESCRIPTION	Qty
1		401-79485	THREAD STAND COMB.	1
2		700-00179	THREAD GUIDE BAR	(1)
3		700-00180	FIXED SEAT	(1)
4		700-00181	FIXED SEAT	(1)
5		700-00182	THREAD GUIDE BAR	(1)
6		700-00183	THREAD GUIDE BAR	(1)
7		700-00184	THREAD GUIDE BAR	(1)
8		700-00185	THREAD GUIDE BAR	(1)
9		700-00186	SUPPORTER	(1)
10		700-00188	THREAD STAND ROD	(1)
11		700-00189	THREAD STAND COVER	(1)
12		700-00190	THREAD STAND ROD	(1)
13		700-00192	CONNECTING LOOP	(1)
14		700-00354	WASHER	(2)
15		700-00454	NUT	(2)
16		700-00455	NUT	(1)
17		700-00547	E_SCREW	(1)
18		700-00579	M_SCREW	(1)
19		700-00580	M_SCREW	(1)
20		700-00581	M_SCREW	(1)
21		700-00618	WASHER	(1)
22		700-00219	PLUG	(5)
23		700-00456	NUT	(4)
24		700-00580	M_SCREW	(1)
25		700-00580	M_SCREW	(1)
26		700-00454	NUT	(2)
27		700-00611	WASHER	(4)
28		700-00218	THREAD STEADY BALL SEAT	(5)
29		700-00454	NUT	(1)
30		700-00454	NUT	(5)
31		700-00615	WASHER	(5)
32		700-00217	CONNECTING LOOP	(5)
33		700-00216	SPONGY CUSHION	(5)
34		700-00215	COILING SEAT	(5)
35		700-00191	FIXED PLATE	(4)
36		700-00589	M_SCREW	(4)
37		700-00177	THREAD GUIDE BAR	(1)

20. THREAD STAND COMPONENTS (FOR MO-6843D)



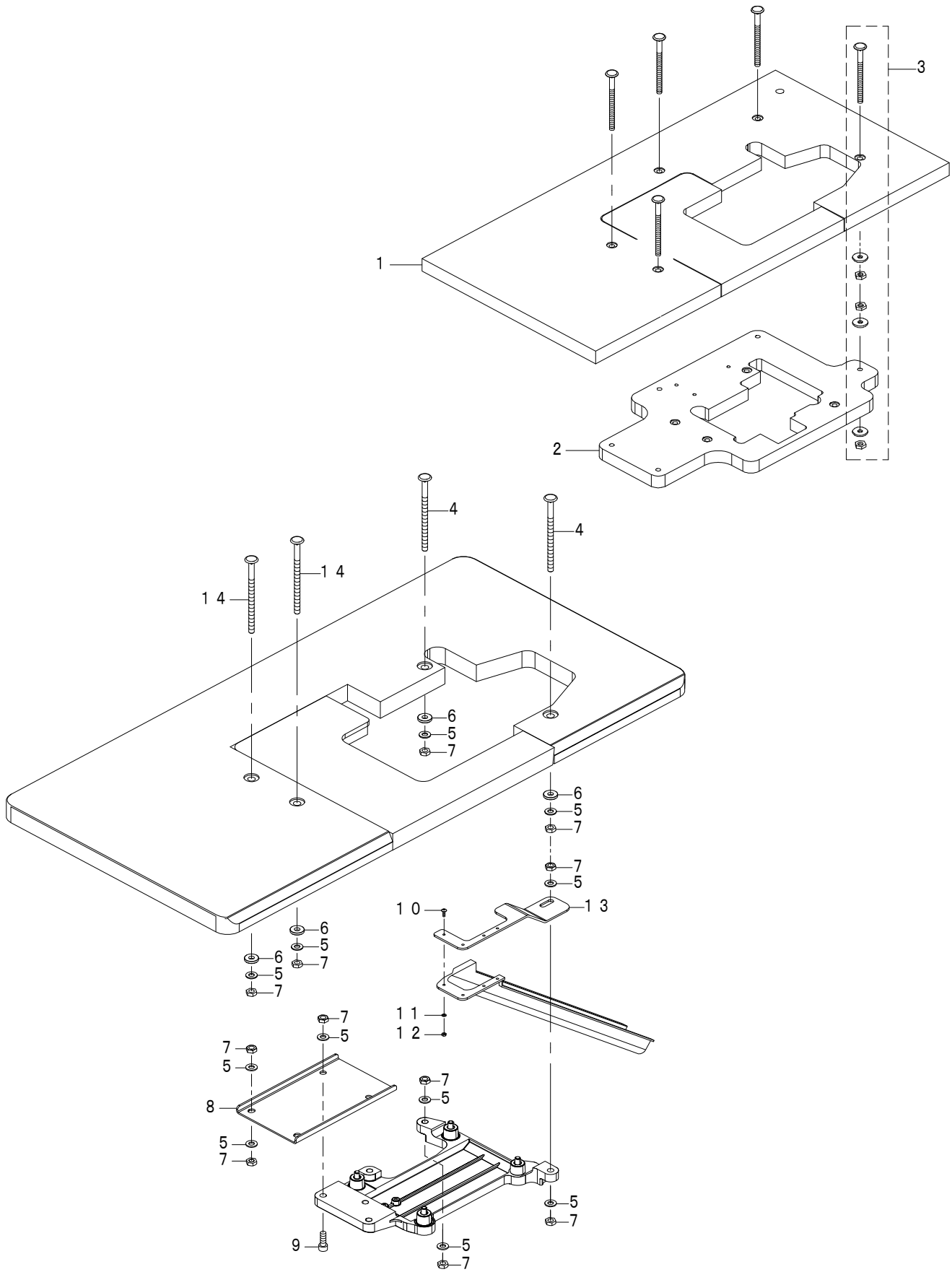
REF.NO	NOTE	PART NO	DESCRIPTION	Qty
1		401-79486	THREAD STAND COMB.	1
2		700-00179	THREAD GUIDE BAR	(1)
3		700-00180	FIXED SEAT	(1)
4		700-00181	FIXED SEAT	(1)
5		700-00182	THREAD GUIDE BAR	(1)
6		700-00183	THREAD GUIDE BAR	(1)
7		700-00186	SUPPORTER	(1)
8		700-00187	SUPPORTER	(1)
9		700-00188	THREAD STAND ROD	(1)
10		700-00189	THREAD STAND COVER	(1)
11		700-00190	THREAD STAND ROD	(1)
12		700-00192	CONNECTING LOOP	(1)
13		700-00354	WASHER	(2)
14		700-00454	NUT	(2)
15		700-00455	NUT	(1)
16		700-00547	E_SCREW	(1)
17		700-00579	M_SCREW	(1)
18		700-00580	M_SCREW	(1)
19		700-00581	M_SCREW	(1)
20		700-00618	WASHER	(1)
21		700-00219	PLUG	(6)
22		700-00456	NUT	(4)
23		700-00580	M_SCREW	(1)
24		700-00580	M_SCREW	(1)
25		700-00454	NUT	(2)
26		700-00611	WASHER	(4)
27		700-00218	THREAD STEADY BALL SEAT	(6)
28		700-00454	NUT	(2)
29		700-00454	NUT	(6)
30		700-00615	WASHER	(6)
31		700-00217	CONNECTING LOOP	(6)
32		700-00216	SPONGY CUSHION	(6)
33		700-00215	COILING SEAT	(6)
34		700-00183	THREAD GUIDE BAR	(1)
35		700-00182	THREAD GUIDE BAR	(1)
36		700-00547	E_SCREW	(1)
37		700-00581	M_SCREW	(1)
38		700-00191	FIXED PLATE	(4)
39		700-00589	M_SCREW	(4)
40		700-00177	THREAD GUIDE BAR	(1)

21. SEMI-SUNKEN TYPE TABLE COMPONENTS



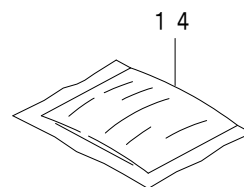
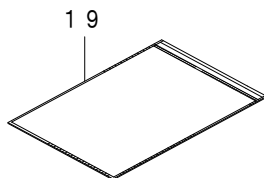
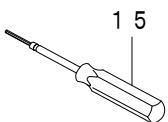
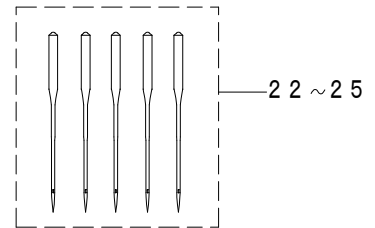
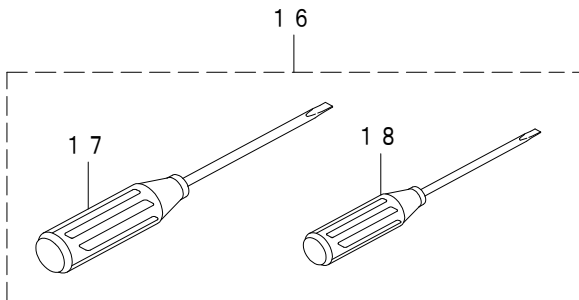
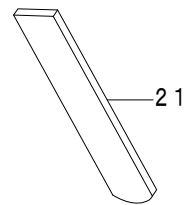
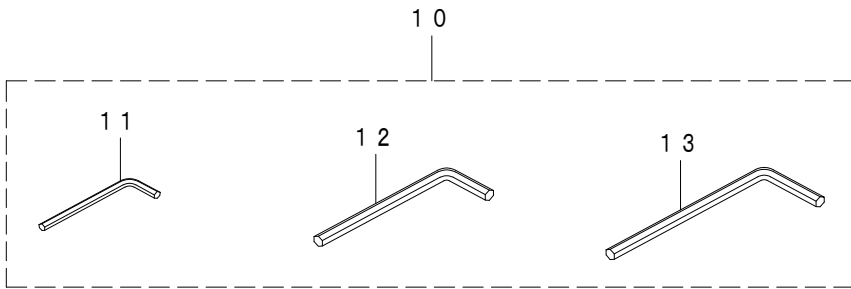
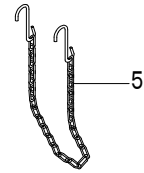
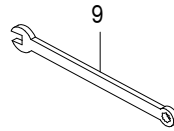
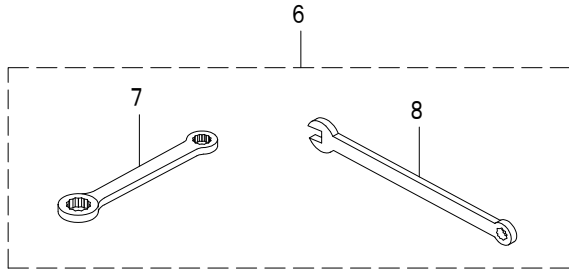
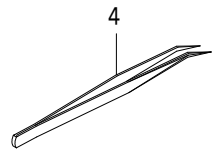
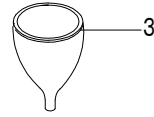
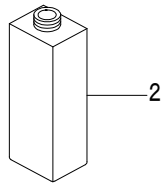
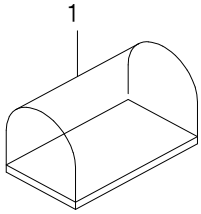
REF.NO	NOTE	PART NO	DESCRIPTION	Qty
1		700-00264	CHASSIS	1
2		700-00263	CHASSIS	(1)
3		700-00438	RUBBER PAD	(1)
4		700-00340	RUBBER BLOCK	1
5		700-00338	RUBBER BLOCK	(4)
6		700-00265	BOLT COMB.	1
7		700-00332	FIXED SHAFT	(4)
8		700-00339	RUBBER BLOCK	(4)
9		700-00707	BOLT	(4)
10		401-59780	GASKET	(4)
11		401-59781	GASKET	(4)
12		700-00348	WASHER	(4)
13		700-00617	WASHER	(4)
14		700-00484	WASTE FABRIC CHUTE COMB.	1
15		700-00352	WASHER	(4)
16		700-00482	WASTE FABRIC CHUTE	(1)
17		700-00483	WASTE FABRIC CHUTE	(1)
18		700-00485	WASTE FABRIC CHUTE	(1)
19		700-00540	E_SCREW	(3)
20		700-00541	E_SCREW	(4)
21		700-00854	TABLE	1
22		700-00339	RUBBER BLOCK	4

22. FULLY-SUNKEN TYPE TABLE COMPONENTS



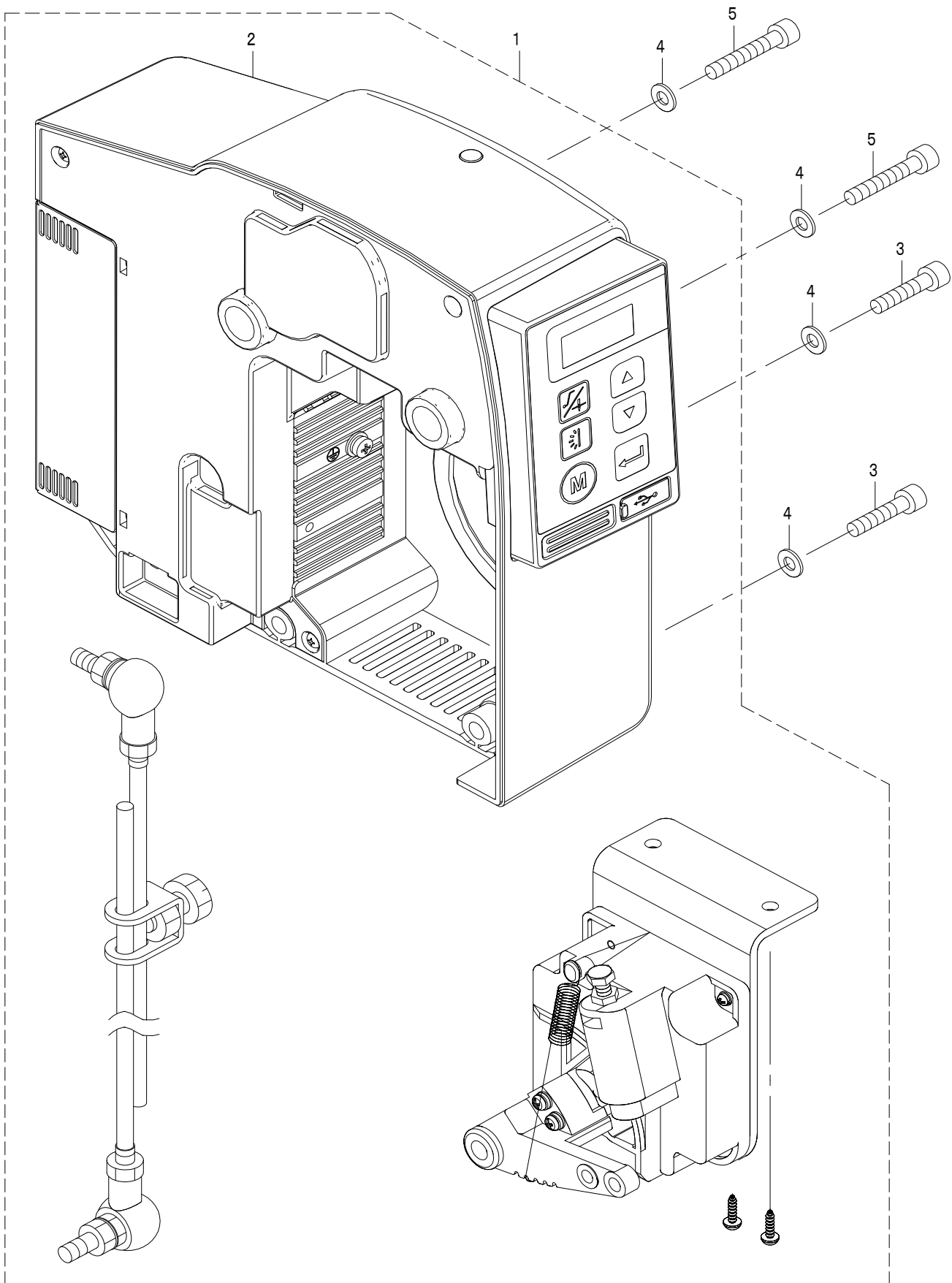
REF.NO	NOTE	PART NO	DESCRIPTION	Qty
1		402-35240	TABLE	1
2		700-00706	FIXED TABLE	1
3	#01	700-00884	BOLT ASM.	5
4		402-16747	HOLDING PLATE BOLT	2
5		700-00360	WASHER	14
6		402-16748	SPRING WASHER M10	4
7		700-00459	NUT M10X1.5 TYPE1	14
8		402-16751	FRAME HOLDING PLATE COUPLING	1
9		402-16752	SCREW M10 L=45	2
10		401-59563	SCREW M4X0.7 L=20	4
11		402-16753	WASHER M4	4
12		402-16754	NUT M4X0.7 TYPE1	4
13		402-16755	FRAME HOLDING PLATE COUPLING	1
14		402-16756	HOLDING PLATE BOLT	2
	NOTE		#01.....FIVE PARTS ENCLOSED WITH THE DOTTED LINE ARE ENCLOSED	

23. ACCESSORIES PARTS COMPONENTS



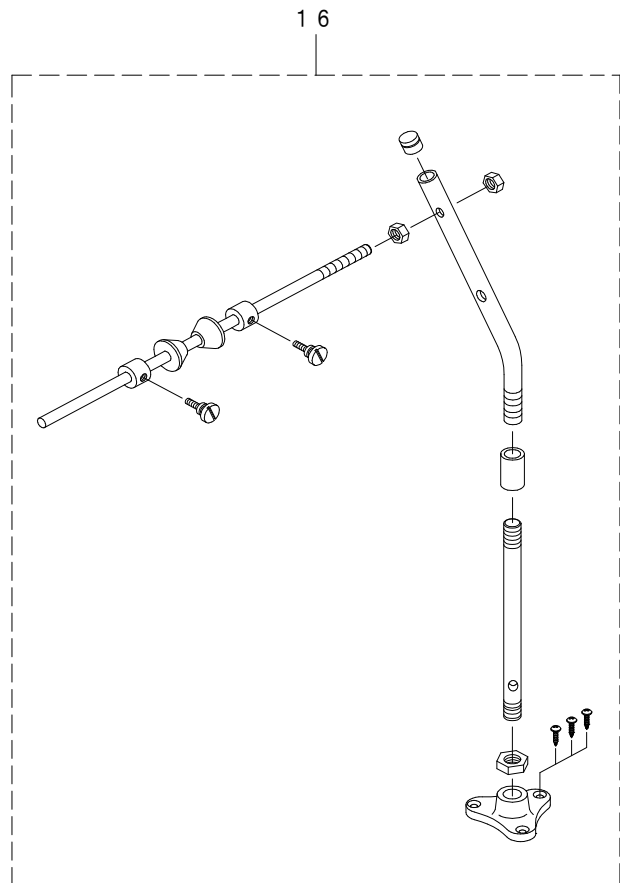
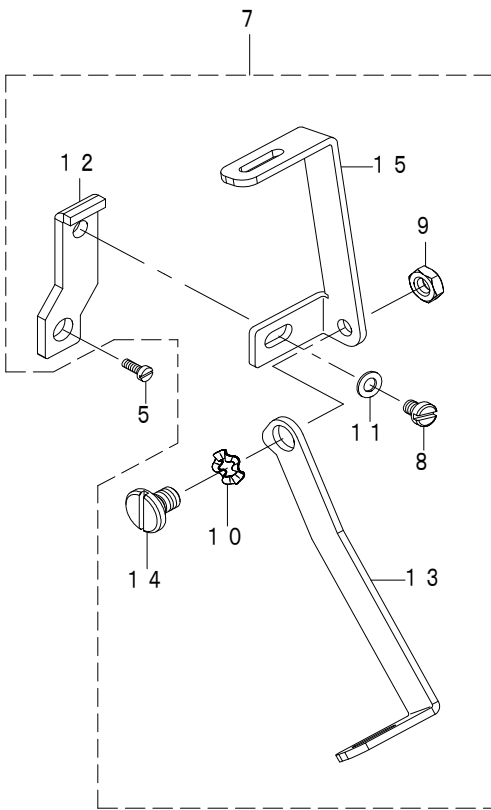
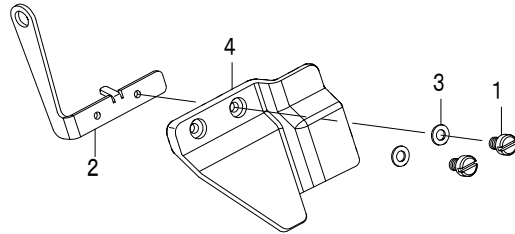
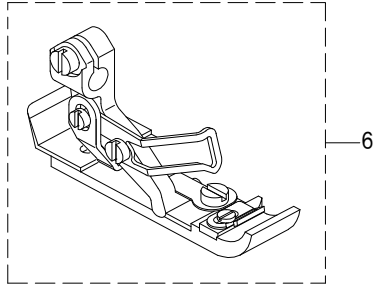
REF.NO	NOTE	PART NO	DESCRIPTION	Qty
1		402-35247	HEAD COVER	1
2		401-59785	SEWING OIL J18(3)	1
3		700-00757	FUNNEL	1
4		700-00759	TWEEZERS	1
5		700-00760	CHAIN	1
6		401-59796	SPANNER COMB.	1
7		401-59794	RING SPANNER	(1)
8		401-59795	SPANNER	(1)
9		401-71278	RING SPANNER	1
10		401-59793	HEXAGONAL ROD SPANNER KEY COMB.	1
11		401-59789	HEXAGONAL ROD SPANNER KEY	(1)
12		401-59790	HEXAGONAL ROD SPANNER KEY	(1)
13		401-59791	HEXAGONAL ROD SPANNER KEY	(1)
14		700-00763	DESICCATIVE	1
15		700-00758	HEXAGON SCREWDRIVER	1
16		401-59792	SCREW DRIVER COMB.	1
17		401-59787	SCREW DRIVER	(1)
18		401-59788	SCREW DRIVER	(1)
19		700-00761	TOOL BAG	1
20		700-00498	E_SCREW	1
21		700-00399	KNIFE	1
22		MDC-270B1100	NEEDLE DCX27 #11	5
23	#01	MDC-270B0900	NEEDLE DCX27 #9	5
24	#02	MDC-270B1400	NEEDLE DCX27 #14	5
25	#03	MDC-270B1600	NEEDLE DCX27 #16	5
		NOTE	#01....FOR 14D-24H	
			#02....FOR 14D-44H/43D	
			#03....FOR 16D-50H	

24. PSC UNIT



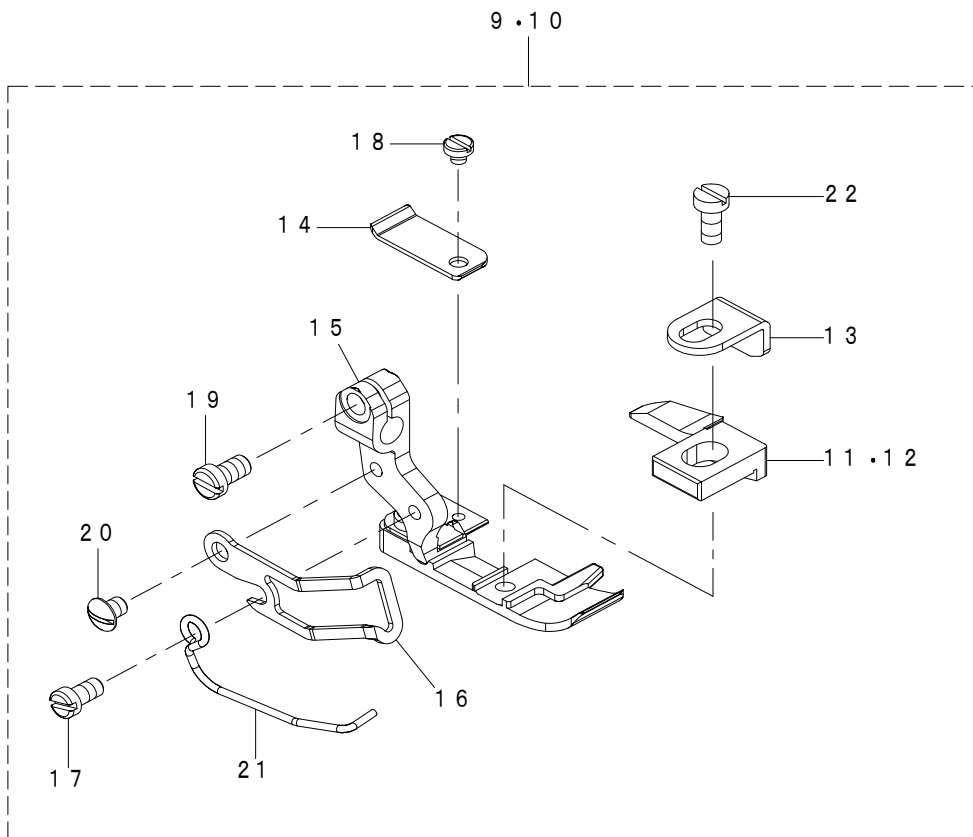
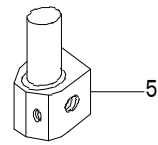
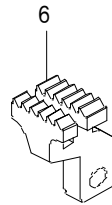
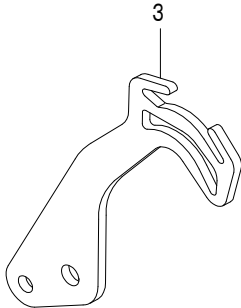
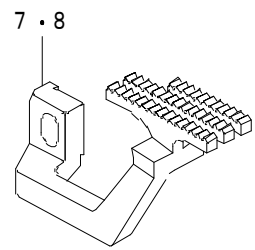
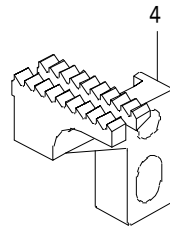
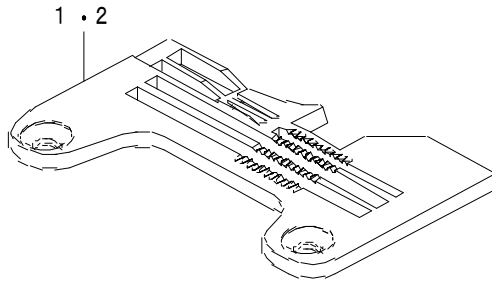
REF.NO	NOTE	PART NO	DESCRIPTION	Qty
1		402-35235	CONTROL_BOX_1P_ASSY	1
2		402-32945	CONTROL_BOX_M068_DD10_1P	(1)
3		402-35238	M_SCREW	2
4		700-00356	WASHER	4
5		402-49102	M_SCREW	2

25. TAPE INSERTION COMPONENTS



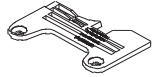
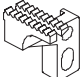
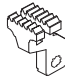
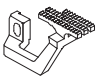
REF.NO	NOTE	PART NO	DESCRIPTION	Qty
1		700-00908	M_SCREW	2
2		401-59574	SAFETY PLATE BRACKET	1
3		401-59576	WASHER	2
4		401-59810	SAFETY PLATE	1
5		700-00549	E_SCREW	1
6		401-59817	PRESSER FOOT	1
7		401-59815	TAPE GUIDE COMB.	1
8		700-00908	M_SCREW	(1)
9		700-00452	NUT	(1)
10		700-00359	WASHER	(1)
11		401-59576	WASHER	(1)
12		401-59811	TAPE GUIDE	(1)
13		401-59813	TAPE GUIDE	(1)
14		401-59814	E_SCREW	(1)
15		401-59812	TAPE GUIDE	(1)
16	#01	700-00098	TAPE HOLDER	1
		NOTE	#01....OPTIONAL PARTS	





26. 30P COMPONENTS



REF.NO	NOTE	PART NO	DESCRIPTION	Qty
1	#01	401-64048	THROAT PLATE	1
2	#02	401-64047	THROAT PLATE	1
3	#04	401-64056	THREAD TAKE-UP LEVER	1
4	#04	401-64050	FEED DOG	1
5	#04	401-64055	NEEDLE CLAMP	1
6	#03	401-64051	FEED DOG	1
7	#01	401-64044	FEED DOG	1
8	#02	401-64046	FEED DOG	1
9	#01	401-64021	PRESSER FOOT ASM.	1
10	#02	401-64020	PRESSER FOOT ASM.	1
11	#01	401-64024	STITCH TONGUE	(1)
12	#02	401-64023	STITCH TONGUE	(1)
13	#04	401-64053	PRESSER FOOT 514_30P	(1)
14	#04	401-64026	REAR PRESSER FOOT	(1)
15	#04	401-64027	PRESSER FOOT HINGE	(1)
16	#04	401-64041	FINGER GUARD	(1)
17	#04	700-00500	E_SCREW	(1)
18	#04	700-00496	E_SCREW	(1)
19	#04	700-00505	E_SCREW	(1)
20	#04	700-00538	E_SCREW	(1)
21	#04	401-64028	PRESSER FOOT ARM SPRING	(1)
22	#04	700-00558	E_SCREW	(1)
	NOTE		#01....FOR 14D-BE6-30P	
			#02....FOR 14D-BB6-30P	
			#03....FOR 14D-BE6-30P/14D-BB6-30P/ 16D-DE4-30P	
			#04....FOR 14D-BE6-30P/14D-BB6-30P	

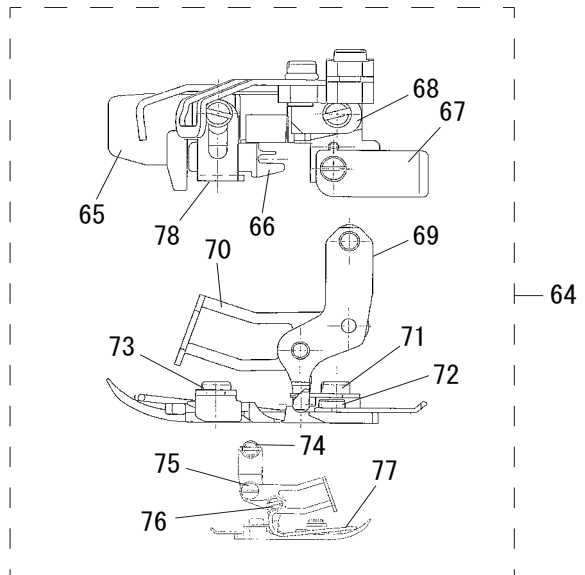
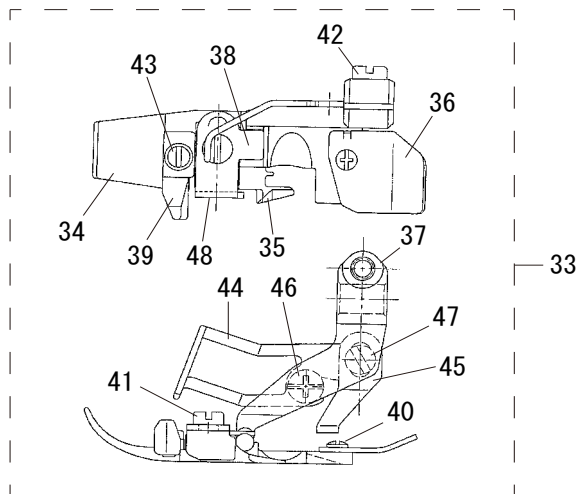
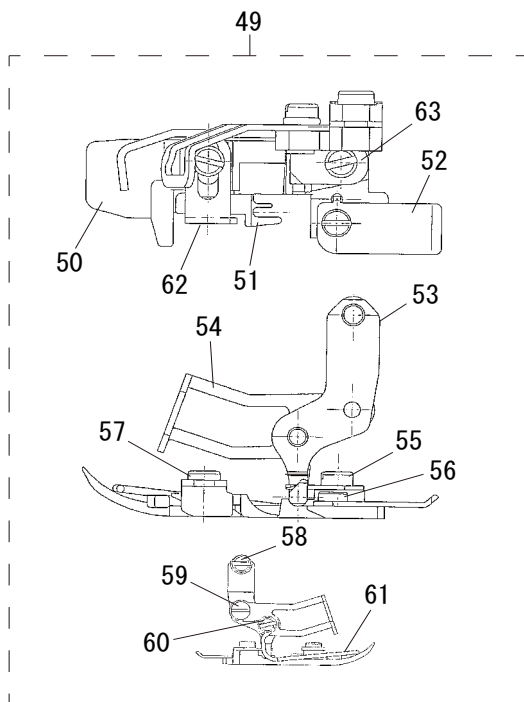
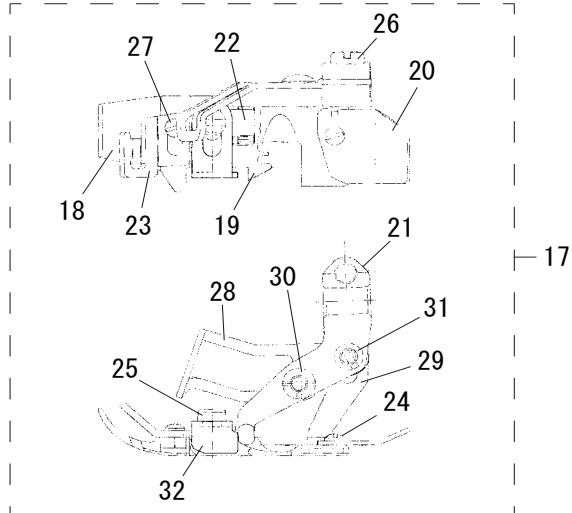
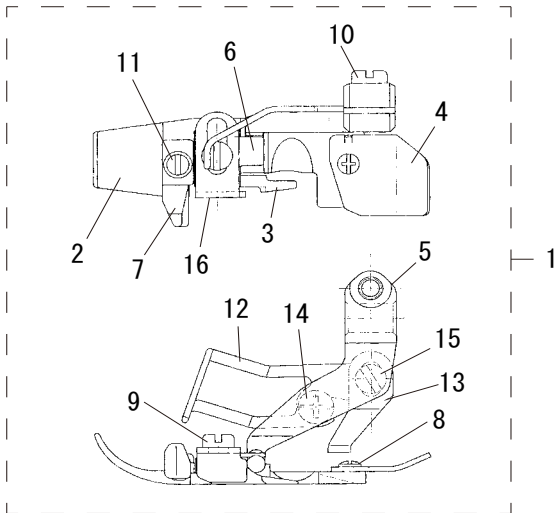
27. MO-6800D GAUGE TABLE

MODEL								
	THROAT PLATE		FEED DOG		FEED DOG		FEED DOG	
	No.		No.		No.		No.	
MO-6804D-0E4-30H	1	401-59827	13	401-59820	25	700-00782	37	401-59836
MO-6814D-BD6-24H/G44/Q143	2	401-59828	14	401-59822	26	700-00782	38	401-59837
MO-6814D-BE6-34H/G44/Q143	3	401-59829	15	401-59822	27	700-00782	39	401-59837
MO-6814D-BE6-24H/G44/Q143	4	401-59829	16	401-59822	28	700-00782	40	401-59837
MO-6814D-BD6-30H	5	401-59828	17	401-59822	29	700-00782	41	401-59837
MO-6814D-BB6-30P	6	401-64047	18	401-64050	30	700-00782	42	401-64046
MO-6814D-BE6-30P	7	401-59829	19	401-64050	31	700-00782	43	401-64044
MO-6814D-BE6-40H	8	401-59829	20	401-59822	32	700-00782	44	401-59837
MO-6814D-BE6-44H/G44/Q143	9	401-59829	21	401-59822	33	700-00782	45	401-59837
MO-6816D-DE4-30H	10	401-69859	22	401-69860	34	700-00782	46	401-69862
MO-6816D-DE4-30H-E35	11	401-69858	23	401-69860	35	700-00782	47	401-69861
MO-6843D-1D6-40H	12	401-59833	24	401-59821	36	700-00782	48	401-59839

MODEL								
	PRESSER FOOT		LOOPER		NEEDLE CLAMP		NEEDLE	
	No.		No.		No.			
MO-6804D-0E4-30H	49	401-59844	61	700-00798	73	700-00801	DCX27#11	
MO-6814D-BD6-24H/G44/Q143	50	401-59817	62	700-00238	74	700-00802	DCX27#9*2	
MO-6814D-BE6-34H/G44/Q143	51	401-59817	63	700-00238	75	700-00802	DCX27#11*2	
MO-6814D-BE6-24H/G44/Q143	52	401-59817	64	700-00238	76	700-00802	DCX27#9*2	
MO-6814D-BD6-30H	53	401-69857	65	700-00238	77	700-00802	DCX27#11*2	
MO-6814D-BB6-30P	54	401-64020	66	700-00238	78	401-64055	DCX27#11*2	
MO-6814D-BE6-30P	55	401-64021	67	700-00238	79	401-64055	DCX27#11*2	
MO-6814D-BE6-40H	56	401-59843	68	700-00799	80	700-00802	DCX27#11*2	
MO-6814D-BE6-44H/G44/Q143	57	401-59817	69	700-00799	81	700-00802	DCX27#14*2	
MO-6816D-DE4-30H	58	401-59850	70	700-00238	82	700-00803	DCX27#11*2	
MO-6816D-DE4-30H-E35	59	401-59850	71	700-00238	83	700-00803	DCX27#11*2	
MO-6843D-1D6-40H	60	401-59848	72	700-00238	84	700-00806	DCX27#11*3	

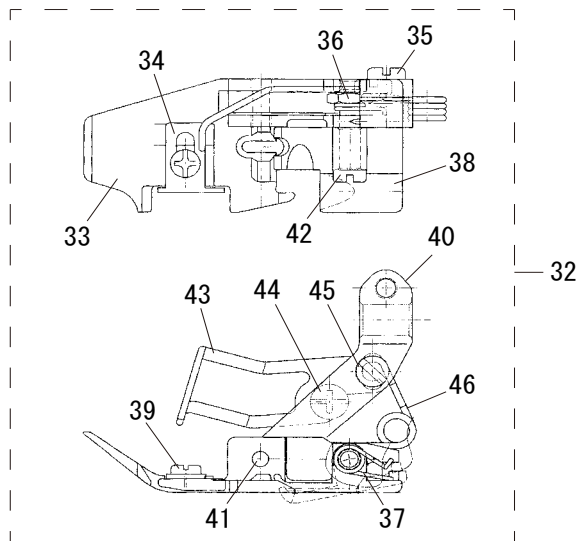
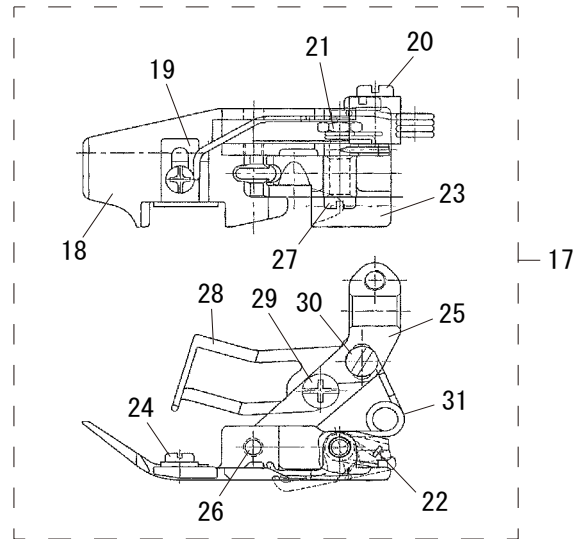
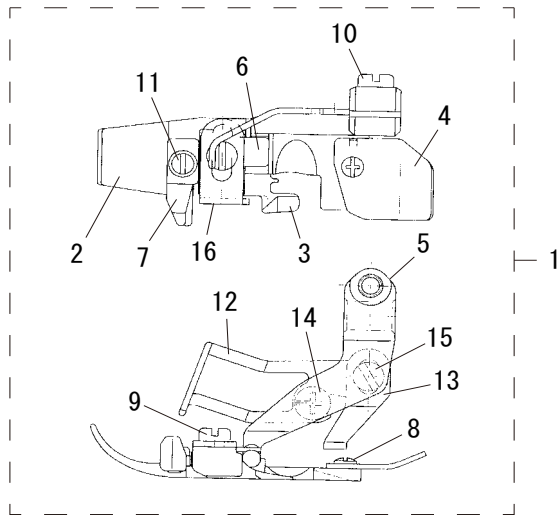
REF.NO	NOTE	PART NO	DESCRIPTION	Qty
1		401-59827	THROAT PLATE	1
2		401-59828	THROAT PLATE	1
3		401-59829	THROAT PLATE	1
4		401-59829	THROAT PLATE	1
5		401-59828	THROAT PLATE	1
6		401-64047	THROAT PLATE	1
7		401-59829	THROAT PLATE	1
8		401-59829	THROAT PLATE	1
9		401-59829	THROAT PLATE	1
10		401-69859	THROAT PLATE	1
11		401-69858	THROAT PLATE	1
12		401-59833	THROAT PLATE	1
13		401-59820	FEED DOG	1
14		401-59822	FEED DOG	1
15		401-59822	FEED DOG	1
16		401-59822	FEED DOG	1
17		401-59822	FEED DOG	1
18		401-64050	FEED DOG	1
19		401-64050	FEED DOG	1
20		401-59822	FEED DOG	1
21		401-59822	FEED DOG	1
22		401-69860	FEED DOG	1
23		401-69860	FEED DOG	1
24		401-59821	FEED DOG	1
25		700-00782	FEED DOG	1
26		700-00782	FEED DOG	1
27		700-00782	FEED DOG	1
28		700-00782	FEED DOG	1
29		700-00782	FEED DOG	1
30		700-00782	FEED DOG	1
31		700-00782	FEED DOG	1
32		700-00782	FEED DOG	1
33		700-00782	FEED DOG	1
34		700-00782	FEED DOG	1
35		700-00782	FEED DOG	1
36		700-00782	FEED DOG	1
37		401-59836	FEED DOG	1
38		401-59837	FEED DOG	1
39		401-59837	FEED DOG	1
40		401-59837	FEED DOG	1
41		401-59837	FEED DOG	1
42		401-64046	FEED DOG	1
43		401-64044	FEED DOG	1
44		401-59837	FEED DOG	1
45		401-59837	FEED DOG	1
46		401-69862	FEED DOG	1
47		401-69861	FEED DOG	1
48		401-59839	FEED DOG	1
49		401-59844	PRESSER FOOT ASM.	1
50		401-59817	PRESSER FOOT ASM.	1
51		401-59817	PRESSER FOOT ASM.	1
52		401-59817	PRESSER FOOT ASM.	1
53		401-69857	PRESSER FOOT ASM.	1
54		401-64020	PRESSER FOOT ASM.	1
55		401-64021	PRESSER FOOT ASM.	1
56		401-59843	PRESSER FOOT ASM.	1
57		401-59817	PRESSER FOOT ASM.	1
58		401-59850	PRESSER FOOT ASM.	1
59		401-59850	PRESSER FOOT ASM.	1
60		401-59848	PRESSER FOOT ASM.	1
61		700-00798	LOOPER	1
62		700-00238	LOOPER	1
63		700-00238	LOOPER	1
64		700-00238	LOOPER	1
65		700-00238	LOOPER	1
66		700-00238	LOOPER	1
67		700-00238	LOOPER	1
68		700-00799	LOOPER	1
69		700-00799	LOOPER	1
70		700-00238	LOOPER	1
71		700-00238	LOOPER	1
72		700-00238	LOOPER	1
73		700-00801	NEEDLE CLAMP	1
74		700-00802	NEEDLE CLAMP	1
75		700-00802	NEEDLE CLAMP	1
76		700-00802	NEEDLE CLAMP	1
77		700-00802	NEEDLE CLAMP	1
78		401-64055	NEEDLE CLAMP	1
79		401-64055	NEEDLE CLAMP	1
80		700-00802	NEEDLE CLAMP	1
81		700-00802	NEEDLE CLAMP	1
82		700-00803	NEEDLE CLAMP	1
83		700-00803	NEEDLE CLAMP	1
84		700-00806	NEEDLE CLAMP	1

28. MO-6800D GAUGE TABLE PRESSER FOOT COMPONENTS (1)



REF.NO	NOTE	PART NO	DESCRIPTION	Qty
1		401-59844	PRESSER FOOT ASM.	1
2		401-59853	PRESSER FOOT	(1)
3		401-59857	STITCH TONGUE	(1)
4		700-00862	REAR PRESSER FOOT	(1)
5		700-00859	PRESSER FOOT HINGE	(1)
6		700-00860	SPRING	(1)
7		700-00861	CURL GUARD	(1)
8		700-00879	E_SCREW	(1)
9		401-59855	E_SCREW	(1)
10		700-00505	E_SCREW	(1)
11		700-00877	E_SCREW	(1)
12		700-00735	NEEDLE GUARD	(1)
13		700-00304	FIXED PLATE	(1)
14		700-00538	E_SCREW	(1)
15		700-00500	E_SCREW	(1)
16		401-59856	THREAD GUIDE PLATE	(1)
17		401-59817	PRESSER FOOT ASM.	1
18		401-59547	PRESSER FOOT	(1)
19		401-59548	STITCH TONGUE	(1)
20		700-00862	REAR PRESSER FOOT	(1)
21		700-00859	PRESSER FOOT HINGE	(1)
22		700-00860	SPRING	(1)
23		401-59549	TAPE GUIDE	(1)
24		700-00879	E_SCREW	(1)
25		401-59855	E_SCREW	(1)
26		700-00505	E_SCREW	(1)
27		700-00877	E_SCREW	(1)
28		700-00735	NEEDLE GUARD	(1)
29		700-00304	FIXED PLATE	(1)
30		700-00538	E_SCREW	(1)
31		700-00500	E_SCREW	(1)
32		401-59856	THREAD GUIDE PLATE	(1)
33		401-69857	PRESSER FOOT ASM.	1
34		401-59853	PRESSER FOOT	(1)
35		401-72524	STITCH TONGUE	(1)
36		700-00862	REAR PRESSER FOOT	(1)
37		700-00859	PRESSER FOOT HINGE	(1)
38		700-00860	SPRING	(1)
39		700-00861	CURL GUARD	(1)
40		700-00879	E_SCREW	(1)
41		401-59855	E_SCREW	(1)
42		700-00505	E_SCREW	(1)
43		700-00877	E_SCREW	(1)
44		700-00735	NEEDLE GUARD	(1)
45		700-00304	FIXED PLATE	(1)
46		700-00538	E_SCREW	(1)
47		700-00500	E_SCREW	(1)
48		401-59856	THREAD GUIDE PLATE	(1)
49		401-64020	PRESSER FOOT ASM.	1
50		401-64022	PRESSER FOOT	(1)
51		401-64023	STITCH TONGUE	(1)
52		401-64026	REAR PRESSER FOOT	(1)
53		401-64027	PRESSER FOOT HINGE	(1)
54		401-64041	FINGER GUARD	(1)
55		700-00500	E_SCREW	(1)
56		700-00496	E_SCREW	(1)
57		700-00558	E_SCREW	(1)
58		700-00505	E_SCREW	(1)
59		700-00538	E_SCREW	(1)
60		700-00500	E_SCREW	(1)
61		401-64028	PRESSER FOOT ARM SPRING	(1)
62		401-64053	PRESSER FOOT 514_30P	(1)
63		401-64025	SPRING	(1)
64		401-64021	PRESSER FOOT ASM.	1
65		401-64022	PRESSER FOOT	(1)
66		401-64024	STITCH TONGUE	(1)
67		401-64026	REAR PRESSER FOOT	(1)
68		401-64025	SPRING	(1)
69		401-64027	PRESSER FOOT HINGE	(1)
70		401-64041	FINGER GUARD	(1)
71		700-00500	E_SCREW	(1)
72		700-00496	E_SCREW	(1)
73		700-00558	E_SCREW	(1)
74		700-00505	E_SCREW	(1)
75		700-00538	E_SCREW	(1)
76		700-00500	E_SCREW	(1)
77		401-64028	PRESSER FOOT ARM SPRING	(1)
78		401-64053	PRESSER FOOT 514_30P	(1)

29. MO-6800D GAUGE TABLE PRESSER FOOT COMPONENTS (2)



REF.NO	NOTE	PART NO	DESCRIPTION	Qty
1		401-59843	PRESSER FOOT ASM.	1
2		401-59853	PRESSER FOOT	(1)
3		401-59854	STITCH TONGUE	(1)
4		700-00862	REAR PRESSER FOOT	(1)
5		700-00859	PRESSER FOOT HINGE	(1)
6		700-00860	SPRING	(1)
7		700-00861	CURL GUARD	(1)
8		700-00879	E_SCREW	(1)
9		401-59855	E_SCREW	(1)
10		700-00505	E_SCREW	(1)
11		700-00877	E_SCREW	(1)
12		700-00735	NEEDLE GUARD	(1)
13		700-00304	FIXED PLATE	(1)
14		700-00538	E_SCREW	(1)
15		700-00500	E_SCREW	(1)
16		401-59856	THREAD GUIDE PLATE	(1)
17		401-59850	PRESSER FOOT ASM.	1
18		401-59598	PRESSER FOOT	(1)
19		700-00480	THREAD GUIDE PLATE	(1)
20		700-00505	E_SCREW	(1)
21		401-59567	NUT	(1)
22		700-00609	SPRING	(1)
23		401-59599	REAR PRESSER FOOT	(1)
24		700-00496	E_SCREW	(1)
25		401-59609	PRESSER FOOT HINGE	(1)
26		700-00537	E_SCREW	(1)
27		700-00499	E_SCREW	(1)
28		700-00735	NEEDLE GUARD	(1)
29		700-00538	E_SCREW	(1)
30		700-00500	E_SCREW	(1)
31		401-59569	SPRING	(1)
32		401-59848	PRESSER FOOT ASM.	1
33		401-59594	PRESSER FOOT	(1)
34		700-00480	THREAD GUIDE PLATE	(1)
35		700-00505	E_SCREW	(1)
36		401-59567	NUT	(1)
37		700-00609	SPRING	(1)
38		401-59595	REAR PRESSER FOOT	(1)
39		700-00496	E_SCREW	(1)
40		401-59596	PRESSER FOOT HINGE	(1)
41		700-00537	E_SCREW	(1)
42		700-00499	E_SCREW	(1)
43		700-00735	NEEDLE GUARD	(1)
44		700-00538	E_SCREW	(1)
45		700-00500	E_SCREW	(1)
46		401-59569	SPRING	(1)

NUMERICAL INDEX OF PARTS

PART NO	PAGE	REF NO	PART NO	PAGE	REF NO	PART NO	PAGE	REF NO	PART NO	PAGE	REF NO
*****	2	6	401-59578	6	13	401-59676	14	73	401-59792	46	16
*****	6	25	401-59579	6	11	401-59676	24	33	401-59793	46	10
*****	12	31	401-59580	6	18	401-59677	14	74	401-59794	46	7
*****	12	32	401-59581	6	19	401-59678	14	10	401-59795	46	8
*****	12	33	401-59585	6	26	401-59683	14	45	401-59796	46	6
*****	12	40	401-59586	6	32	401-59684	14	8	401-59810	50	4
*****	12	41	401-59587	6	33	401-59684	16	22	401-59811	50	12
*****	12	42	401-59589	6	42	401-59686	14	1	401-59812	50	15
*****	12	62	401-59590	6	30	401-59687	14	2	401-59813	50	13
*****	14	41	401-59591	6	38	401-59689	16	17	401-59814	50	14
*****	24	1	401-59592	6	39	401-59690	16	35	401-59815	50	7
*****	24	49	401-59593	6	27	401-59692	16	1	401-59817	50	6
*****	24	50	401-59594	58	33	401-59693	16	16	401-59817	54	50
*****	28	54	401-59595	58	38	401-59694	16	2	401-59817	54	51
*****	28	55	401-59596	58	40	401-59700	22	25	401-59817	54	52
*****	30	42	401-59598	58	18	401-59701	22	27	401-59817	54	57
*****	32	17	401-59599	58	23	401-59702	22	16	401-59817	56	17
			401-59603	8	47	401-59703	22	17	401-59820	54	13
CQ-2000000-00	10	28	401-59604	8	5	401-59703	28	27	401-59821	54	24
CQ-2000000-00	14	40	401-59605	8	4	401-59704	22	18	401-59822	54	14
CQ-2020000-00	10	29	401-59606	8	1	401-59704	28	30	401-59822	54	15
CQ-2020000-00	14	39	401-59607	8	2	401-59705	22	19	401-59822	54	16
			401-59608	8	45	401-59706	22	20	401-59822	54	17
MDC-270B0900	46	23	401-59609	58	25	401-59707	22	1	401-59822	54	20
MDC-270B1100	46	22	401-59615	10	1	401-59709	22	32	401-59822	54	21
MDC-270B1400	46	24	401-59617	10	8	401-59715	14	78	401-59827	54	1
MDC-270B1600	46	25	401-59618	10	7	401-59715	24	35	401-59828	54	2
			401-59624	12	90	401-59716	24	15	401-59828	54	5
400-04716	14	34	401-59624	12	96	401-59717	24	13	401-59829	54	3
400-04718	14	35	401-59624	12	103	401-59718	24	56	401-59829	54	4
400-04720	14	36	401-59625	12	65	401-59719	24	57	401-59829	54	7
400-04722	14	37	401-59626	12	60	401-59726	26	26	401-59829	54	8
400-04751	14	24	401-59627	12	74	401-59727	26	19	401-59829	54	9
400-32579	14	18	401-59628	12	58	401-59728	26	18	401-59833	54	12
400-39402	14	17	401-59629	12	27	401-59729	26	16	401-59836	54	37
401-59532	2	24	401-59629	22	38	401-59732	26	17	401-59837	54	38
401-59533	2	16	401-59630	12	53	401-59734	26	10	401-59837	54	39
401-59534	2	3	401-59631	12	75	401-59741	28	3	401-59837	54	40
401-59537	2	25	401-59632	12	78	401-59742	28	4	401-59837	54	41
401-59538	2	27	401-59632	12	88	401-59743	28	7	401-59837	54	44
401-59539	2	28	401-59632	12	94	401-59744	28	5	401-59837	54	45
401-59540	2	26	401-59632	12	101	401-59745	28	1	401-59839	54	48
401-59547	56	18	401-59632	12	109	401-59746	28	2	401-59843	54	56
401-59548	56	19	401-59633	12	83	401-59748	28	31	401-59843	58	1
401-59549	56	23	401-59634	12	79	401-59749	28	26	401-59844	54	49
401-59551	4	31	401-59634	12	89	401-59750	28	33	401-59844	56	1
401-59552	4	18	401-59634	12	95	401-59751	28	42	401-59848	54	60
401-59553	4	19	401-59634	12	102	401-59752	28	38	401-59848	58	32
401-59554	4	20	401-59634	12	110	401-59753	28	10	401-59850	54	58
401-59555	4	9	401-59636	12	81	401-59754	28	35	401-59850	54	59
401-59556	4	8	401-59636	12	91	401-59761	30	59	401-59850	58	17
401-59557	4	1	401-59636	12	97	401-59762	30	56	401-59853	56	2
401-59558	4	13	401-59636	12	105	401-59763	30	39	401-59853	56	34
401-59559	4	14	401-59636	12	112	401-59764	30	32	401-59853	58	2
401-59560	4	15	401-59640	12	77	401-59765	30	15	401-59854	58	3
401-59561	4	17	401-59641	12	87	401-59768	32	4	401-59855	56	9
401-59562	4	6	401-59642	12	93	401-59769	32	5	401-59855	56	25
401-59563	4	7	401-59642	12	99	401-59770	32	6	401-59855	56	41
401-59563	44	10	401-59643	12	107	401-59771	32	7	401-59855	58	9
401-59564	4	10	401-59644	12	76	401-59772	32	1	401-59856	56	16
401-59565	4	11	401-59645	12	1	401-59773	32	12	401-59856	56	32
401-59567	58	21	401-59646	12	10	401-59774	32	9	401-59856	56	48
401-59567	58	36	401-59647	12	16	401-59775	32	2	401-59856	58	16
401-59569	58	31	401-59648	12	18	401-59776	32	8	401-59857	56	3
401-59569	58	46	401-59649	12	64	401-59777	32	11	401-64011	8	6
401-59572	6	3	401-59650	12	6	401-59778	32	10	401-64012	8	3
401-59572	6	4	401-59651	12	17	401-59779	32	13	401-64020	52	10
401-59573	6	2	401-59652	12	48	401-59780	42	10	401-64020	54	54
401-59574	6	8	401-59653	12	54	401-59781	42	11	401-64020	56	49
401-59574	50	2	401-59654	12	55	401-59785	46	2	401-64021	52	9
401-59575	6	7	401-59655	12	56	401-59787	46	17	401-64021	54	55
401-59576	6	6	401-59656	12	100	401-59788	46	18	401-64021	56	64
401-59576	50	3	401-59657	12	104	401-59789	46	11	401-64022	56	50
401-59576	50	11	401-59665	14	76	401-59790	46	12	401-64022	56	65
401-59577	6	5	401-59666	14	71	401-59791	46	13	401-64023	52	12

NUMERICAL INDEX OF PARTS

PART NO	PAGE	REF NO	PART NO	PAGE	REF NO	PART NO	PAGE	REF NO	PART NO	PAGE	REF NO
401-64023	56	51	401-69819	30	5	402-35235	48	1	700-00183	38	6
401-64024	52	11	401-69820	30	21	402-35238	48	3	700-00183	40	6
401-64024	56	66	401-69823	10	25	402-35240	44	1	700-00183	40	34
401-64025	56	63	401-69857	54	53	402-35247	46	1	700-00184	36	7
401-64025	56	68	401-69857	56	33	402-35250	2	31	700-00184	38	7
401-64026	52	14	401-69858	54	11	402-49102	48	5	700-00185	36	8
401-64026	56	52	401-69859	54	10				700-00185	38	8
401-64026	56	67	401-69860	54	22	700-00098	50	16	700-00186	34	7
401-64027	52	15	401-69860	54	23	700-00130	8	14	700-00186	36	9
401-64027	56	53	401-69861	54	47	700-00131	22	14	700-00186	38	9
401-64027	56	69	401-69862	54	46	700-00131	22	56	700-00186	40	7
401-64028	52	21	401-69864	14	29	700-00131	28	32	700-00187	40	8
401-64028	56	61	401-70669	14	32	700-00132	24	58	700-00188	34	8
401-64028	56	77	401-70670	28	12	700-00133	24	14	700-00188	36	10
401-64041	52	16	401-70675	14	28	700-00134	10	18	700-00188	38	10
401-64041	56	54	401-71278	46	9	700-00135	24	23	700-00188	40	9
401-64041	56	70	401-72524	56	35	700-00136	6	12	700-00189	34	9
401-64044	52	7	401-72525	2	4	700-00137	22	53	700-00189	36	11
401-64044	54	43	401-72527	12	39	700-00138	24	20	700-00189	38	11
401-64046	52	8	401-72528	26	11	700-00139	18	2	700-00189	40	10
401-64046	54	42	401-72529	26	12	700-00140	22	2	700-00190	34	10
401-64047	52	2	401-72530	28	46	700-00141	10	11	700-00190	36	12
401-64047	54	6	401-72531	28	56	700-00141	24	25	700-00190	38	12
401-64048	52	1	401-77859	14	77	700-00141	28	6	700-00190	40	11
401-64050	52	4	401-78003	26	9	700-00141	28	16	700-00191	34	11
401-64050	54	18	401-78005	28	57	700-00142	28	8	700-00191	36	35
401-64050	54	19	401-78006	28	44	700-00142	28	11	700-00191	38	35
401-64051	52	6	401-78007	28	45	700-00143	8	34	700-00191	40	38
401-64053	52	13	401-78084	14	6	700-00144	30	49	700-00192	34	12
401-64053	56	62	401-78084	16	19	700-00145	8	19	700-00192	36	13
401-64053	56	78	401-78548	12	82	700-00145	8	32	700-00192	38	13
401-64055	52	5	401-78549	12	98	700-00146	30	33	700-00192	40	12
401-64055	54	78	401-78549	12	106	700-00147	24	19	700-00194	14	65
401-64055	54	79	401-78550	12	92	700-00148	30	14	700-00195	14	67
401-64056	12	113	401-78550	12	108	700-00149	8	35	700-00196	14	43
401-64056	52	3	401-79483	34	1	700-00151	24	53	700-00197	14	60
401-67347	10	19	401-79484	36	1	700-00152	24	54	700-00198	14	61
401-67348	10	21	401-79485	38	1	700-00157	30	57	700-00199	16	15
401-67349	10	12	401-79486	40	1	700-00158	30	58	700-00200	14	66
401-67350	10	26	401-79596	14	3	700-00159	30	28	700-00201	14	64
401-67351	10	32	401-79596	16	18	700-00160	30	27	700-00202	14	59
401-67352	10	30	401-79597	14	4	700-00161	6	14	700-00203	12	84
401-67354	10	31	401-79597	14	5	700-00162	22	33	700-00211	12	80
401-67355	10	20	401-79597	16	20	700-00164	12	7	700-00211	12	111
401-67356	10	33	401-79597	16	21	700-00168	12	22	700-00213	12	85
401-67357	14	51	402-16747	44	4	700-00169	12	19	700-00215	34	13
401-67358	14	80	402-16748	44	6	700-00171	12	13	700-00215	36	34
401-67359	14	50	402-16751	44	8	700-00172	20	2	700-00215	38	34
401-67360	14	22	402-16752	44	9	700-00173	12	3	700-00215	40	33
401-67361	14	20	402-16753	44	11	700-00174	12	11	700-00216	34	14
401-67362	14	55	402-16754	44	12	700-00175	16	10	700-00216	36	33
401-67363	14	56	402-16755	44	13	700-00176	28	50	700-00216	38	33
401-67364	14	42	402-16756	44	14	700-00177	38	37	700-00216	40	32
401-67365	14	15	402-30995	14	14	700-00177	40	40	700-00217	34	15
401-67366	30	13	402-32945	48	2	700-00178	34	35	700-00217	36	32
401-67371	14	25	402-35212	2	23	700-00178	36	37	700-00217	38	32
401-67372	30	16	402-35213	2	29	700-00179	34	2	700-00217	40	31
401-67373	14	23	402-35214	2	30	700-00179	36	2	700-00218	34	16
401-67374	14	27	402-35215	6	16	700-00179	38	2	700-00218	36	28
401-67375	14	26	402-35216	6	17	700-00179	40	2	700-00218	38	28
401-67376	30	2	402-35217	6	21	700-00180	34	3	700-00218	40	27
401-67377	30	1	402-35218	6	22	700-00180	36	3	700-00219	34	17
401-67378	14	33	402-35219	6	43	700-00180	38	3	700-00219	36	22
401-67379	14	16	402-35220	8	22	700-00180	40	3	700-00219	38	22
401-67380	30	24	402-35221	8	29	700-00181	34	4	700-00219	40	21
401-67382	14	48	402-35222	8	23	700-00181	36	4	700-00222	6	15
401-67383	14	46	402-35223	8	25	700-00181	38	4	700-00229	26	13
401-67384	14	47	402-35224	8	26	700-00181	40	4	700-00230	26	1
401-67386	30	6	402-35225	8	27	700-00182	34	5	700-00235	26	2
401-67387	30	7	402-35226	8	28	700-00182	36	5	700-00236	26	8
401-67388	30	8	402-35230	30	40	700-00182	38	5	700-00237	26	4
401-67389	30	9	402-35231	30	48	700-00182	40	5	700-00238	54	62
401-67390	30	11	402-35232	30	41	700-00182	40	35	700-00238	54	63
401-67391	30	12	402-35233	30	43	700-00183	34	6	700-00238	54	64
401-69818	30	10	402-35234	30	45	700-00183	36	6	700-00238	54	65

NUMERICAL INDEX OF PARTS

PART NO	PAGE	REF NO	PART NO	PAGE	REF NO	PART NO	PAGE	REF NO	PART NO	PAGE	REF NO
700-00238	54	66	700-00351	18	22	700-00434	26	6	700-00496	58	24
700-00238	54	67	700-00352	42	15	700-00435	24	16	700-00496	58	39
700-00238	54	70	700-00353	22	15	700-00436	26	5	700-00497	12	68
700-00238	54	71	700-00354	34	18	700-00437	10	13	700-00497	12	72
700-00238	54	72	700-00354	36	14	700-00438	42	3	700-00497	14	30
700-00247	14	49	700-00354	38	14	700-00443	2	5	700-00497	14	31
700-00253	14	11	700-00354	40	13	700-00446	24	12	700-00498	12	8
700-00254	14	9	700-00355	28	34	700-00448	20	23	700-00498	12	15
700-00257	8	39	700-00356	24	29	700-00449	8	43	700-00498	12	34
700-00258	30	22	700-00356	48	4	700-00450	22	9	700-00498	14	19
700-00259	8	38	700-00357	18	5	700-00452	4	25	700-00498	20	26
700-00261	30	29	700-00358	22	57	700-00452	20	20	700-00498	46	20
700-00262	30	30	700-00359	20	5	700-00452	50	9	700-00499	58	27
700-00263	42	2	700-00359	50	10	700-00453	4	24	700-00499	58	42
700-00264	42	1	700-00360	44	5	700-00454	34	19	700-00500	52	17
700-00265	42	6	700-00361	24	10	700-00454	34	32	700-00500	56	15
700-00268	14	57	700-00362	10	17	700-00454	34	33	700-00500	56	31
700-00269	26	3	700-00363	2	1	700-00454	34	34	700-00500	56	47
700-00270	16	29	700-00365	2	2	700-00454	36	15	700-00500	56	55
700-00270	18	28	700-00368	4	2	700-00454	36	26	700-00500	56	60
700-00273	30	34	700-00369	22	23	700-00454	36	29	700-00500	56	71
700-00275	22	29	700-00370	22	22	700-00454	36	30	700-00500	56	76
700-00276	22	28	700-00372	22	6	700-00454	38	15	700-00500	58	15
700-00277	22	34	700-00373	22	7	700-00454	38	26	700-00500	58	30
700-00280	24	11	700-00374	24	4	700-00454	38	29	700-00500	58	45
700-00282	22	40	700-00375	24	5	700-00454	38	30	700-00501	14	62
700-00283	22	55	700-00379	22	8	700-00454	40	14	700-00501	14	68
700-00284	22	52	700-00380	16	6	700-00454	40	25	700-00502	22	44
700-00286	22	54	700-00380	18	24	700-00454	40	28	700-00503	10	10
700-00288	22	43	700-00381	30	35	700-00454	40	29	700-00503	22	39
700-00289	22	42	700-00382	30	36	700-00455	34	20	700-00505	12	57
700-00291	28	39	700-00383	20	22	700-00455	36	16	700-00505	16	11
700-00292	28	20	700-00384	20	9	700-00455	38	16	700-00505	52	19
700-00293	28	17	700-00385	20	25	700-00455	40	15	700-00505	56	10
700-00294	28	22	700-00386	20	24	700-00456	34	21	700-00505	56	26
700-00295	28	23	700-00387	20	6	700-00456	36	23	700-00505	56	42
700-00297	28	47	700-00388	20	16	700-00456	38	23	700-00505	56	58
700-00301	28	41	700-00389	20	17	700-00456	40	22	700-00505	56	74
700-00302	28	40	700-00390	20	18	700-00458	24	30	700-00505	58	10
700-00303	28	51	700-00391	20	11	700-00458	28	19	700-00505	58	20
700-00304	56	13	700-00392	20	12	700-00458	28	29	700-00505	58	35
700-00304	56	29	700-00393	20	13	700-00459	44	7	700-00506	16	14
700-00304	56	45	700-00394	20	14	700-00460	8	13	700-00508	8	21
700-00304	58	13	700-00395	20	15	700-00461	18	16	700-00508	18	27
700-00309	28	13	700-00396	20	3	700-00462	18	18	700-00508	24	55
700-00312	30	4	700-00397	20	1	700-00463	18	6	700-00509	24	2
700-00314	8	41	700-00398	20	4	700-00464	18	7	700-00509	24	51
700-00317	18	3	700-00399	26	30	700-00465	18	15	700-00510	26	15
700-00317	18	36	700-00399	46	21	700-00466	18	17	700-00511	16	9
700-00317	24	45	700-00400	26	31	700-00467	18	8	700-00512	22	13
700-00323	30	44	700-00401	26	38	700-00469	12	44	700-00513	12	2
700-00323	30	60	700-00402	26	28	700-00470	18	31	700-00513	12	20
700-00326	30	54	700-00403	26	33	700-00471	18	30	700-00513	12	86
700-00328	30	52	700-00404	4	22	700-00472	18	35	700-00513	20	10
700-00332	42	7	700-00405	16	12	700-00473	18	26	700-00514	18	10
700-00334	4	5	700-00406	16	4	700-00474	18	23	700-00514	18	38
700-00335	12	70	700-00407	16	3	700-00475	18	20	700-00514	24	47
700-00336	12	67	700-00409	16	32	700-00476	18	21	700-00515	2	7
700-00337	12	66	700-00410	16	28	700-00477	18	33	700-00515	2	20
700-00338	42	5	700-00410	16	31	700-00478	18	9	700-00515	2	21
700-00339	42	8	700-00410	18	34	700-00479	18	1	700-00515	4	29
700-00339	42	22	700-00410	24	32	700-00480	58	19	700-00515	4	32
700-00340	42	4	700-00413	16	25	700-00480	58	34	700-00515	14	63
700-00342	14	52	700-00414	16	37	700-00481	6	28	700-00515	26	39
700-00343	16	33	700-00415	16	24	700-00482	42	16	700-00515	28	21
700-00344	22	3	700-00416	16	36	700-00483	42	17	700-00516	4	21
700-00345	22	4	700-00422	24	39	700-00484	42	14	700-00516	12	61
700-00346	18	4	700-00423	24	40	700-00485	42	18	700-00517	14	54
700-00346	18	37	700-00428	30	53	700-00490	4	4	700-00517	16	27
700-00346	24	46	700-00429	24	41	700-00493	4	28	700-00517	26	32
700-00347	26	14	700-00430	8	31	700-00494	4	27	700-00518	4	23
700-00348	42	12	700-00431	8	30	700-00495	22	10	700-00518	6	1
700-00349	22	5	700-00432	10	14	700-00496	52	18	700-00518	30	38
700-00349	28	59	700-00433	24	17	700-00496	56	56	700-00519	20	7
700-00350	14	69	700-00433	24	36	700-00496	56	72	700-00520	8	24

NUMERICAL INDEX OF PARTS

PART NO	PAGE	REF NO	PART NO	PAGE	REF NO	PART NO	PAGE	REF NO	PART NO	PAGE	REF NO
700-00520	30	51	700-00558	24	6	700-00598	12	28	700-00704	12	59
700-00521	8	33	700-00558	52	22	700-00600	22	58	700-00706	44	2
700-00521	14	58	700-00558	56	57	700-00601	22	12	700-00707	42	9
700-00521	14	70	700-00558	56	73	700-00602	22	35	700-00710	30	19
700-00521	26	35	700-00559	12	14	700-00603	26	36	700-00711	30	20
700-00521	30	31	700-00561	18	11	700-00604	28	25	700-00712	30	17
700-00522	2	8	700-00561	28	58	700-00605	28	43	700-00717	30	18
700-00522	8	40	700-00562	8	17	700-00608	28	9	700-00720	26	23
700-00522	10	6	700-00563	4	26	700-00609	58	22	700-00721	26	21
700-00522	10	15	700-00563	6	20	700-00609	58	37	700-00728	10	27
700-00522	14	75	700-00564	8	9	700-00611	34	27	700-00728	14	38
700-00522	16	38	700-00565	8	7	700-00611	36	27	700-00731	24	38
700-00522	24	18	700-00565	8	8	700-00611	38	27	700-00732	24	44
700-00522	24	34	700-00566	28	48	700-00611	40	26	700-00733	24	24
700-00522	24	37	700-00567	12	35	700-00612	8	46	700-00734	24	22
700-00522	26	7	700-00569	6	37	700-00613	14	53	700-00735	56	12
700-00522	26	27	700-00570	6	36	700-00614	16	34	700-00735	56	28
700-00522	28	36	700-00571	20	19	700-00615	34	28	700-00735	56	44
700-00522	28	53	700-00572	12	26	700-00615	36	31	700-00735	58	12
700-00523	22	21	700-00572	24	48	700-00615	38	31	700-00735	58	28
700-00524	26	37	700-00573	6	40	700-00615	40	30	700-00735	58	43
700-00525	16	13	700-00574	4	3	700-00616	18	12	700-00736	6	10
700-00525	18	29	700-00575	30	25	700-00617	42	13	700-00737	8	44
700-00526	12	71	700-00576	20	8	700-00618	34	29	700-00738	22	48
700-00526	32	15	700-00577	4	16	700-00618	36	21	700-00739	22	49
700-00527	30	26	700-00577	6	31	700-00618	38	21	700-00740	22	46
700-00528	4	12	700-00577	6	35	700-00618	40	20	700-00741	22	45
700-00528	28	37	700-00578	10	9	700-00619	8	11	700-00744	6	34
700-00529	2	9	700-00578	26	20	700-00620	8	12	700-00745	6	23
700-00529	2	22	700-00579	34	23	700-00626	12	29	700-00751	16	8
700-00530	24	52	700-00579	36	18	700-00627	12	30	700-00752	16	30
700-00531	16	7	700-00579	38	18	700-00628	12	37	700-00753	2	18
700-00531	18	25	700-00579	40	17	700-00629	12	23	700-00754	2	19
700-00532	30	47	700-00580	34	24	700-00630	12	69	700-00755	4	30
700-00532	30	50	700-00580	34	30	700-00632	10	23	700-00757	46	3
700-00532	30	61	700-00580	34	31	700-00633	10	22	700-00758	46	15
700-00533	30	37	700-00580	36	19	700-00637	10	16	700-00759	46	4
700-00535	8	10	700-00580	36	24	700-00640	10	3	700-00760	46	5
700-00537	58	26	700-00580	36	25	700-00643	10	2	700-00761	46	19
700-00537	58	41	700-00580	38	19	700-00646	10	5	700-00763	46	14
700-00538	28	52	700-00580	38	24	700-00652	12	25	700-00782	54	25
700-00538	30	3	700-00580	38	25	700-00653	12	24	700-00782	54	26
700-00538	52	20	700-00580	40	18	700-00658	30	46	700-00782	54	27
700-00538	56	14	700-00580	40	23	700-00658	30	55	700-00782	54	28
700-00538	56	30	700-00580	40	24	700-00658	32	3	700-00782	54	29
700-00538	56	46	700-00581	34	25	700-00658	32	14	700-00782	54	30
700-00538	56	59	700-00581	36	20	700-00659	2	14	700-00782	54	31
700-00538	56	75	700-00581	38	20	700-00660	6	29	700-00782	54	32
700-00538	58	14	700-00581	40	19	700-00662	22	36	700-00782	54	33
700-00538	58	29	700-00581	40	37	700-00664	28	14	700-00782	54	34
700-00538	58	44	700-00582	22	30	700-00665	22	41	700-00782	54	35
700-00540	42	19	700-00582	22	50	700-00666	22	31	700-00782	54	36
700-00541	42	20	700-00582	30	23	700-00667	16	5	700-00798	54	61
700-00542	22	11	700-00583	22	47	700-00669	28	15	700-00799	54	68
700-00543	2	10	700-00584	28	18	700-00670	2	15	700-00799	54	69
700-00544	2	11	700-00584	28	28	700-00672	2	17	700-00801	54	73
700-00545	14	7	700-00586	2	13	700-00673	28	49	700-00802	54	74
700-00545	16	23	700-00587	14	79	700-00681	24	8	700-00802	54	75
700-00547	34	22	700-00588	10	4	700-00682	24	27	700-00802	54	76
700-00547	36	17	700-00589	34	26	700-00683	24	3	700-00802	54	77
700-00547	38	17	700-00589	36	36	700-00684	24	7	700-00802	54	80
700-00547	40	16	700-00589	38	36	700-00685	24	26	700-00802	54	81
700-00547	40	36	700-00589	40	39	700-00686	24	42	700-00803	54	82
700-00548	24	21	700-00590	14	13	700-00688	24	31	700-00803	54	83
700-00549	12	9	700-00590	16	26	700-00689	24	43	700-00806	54	84
700-00549	50	5	700-00590	16	39	700-00694	8	18	700-00807	14	72
700-00550	2	12	700-00590	18	19	700-00694	22	51	700-00812	14	44
700-00550	12	43	700-00590	18	32	700-00695	8	37	700-00813	26	34
700-00550	12	73	700-00590	22	24	700-00696	8	42	700-00820	6	41
700-00552	22	26	700-00590	24	9	700-00697	18	13	700-00822	12	5
700-00554	8	16	700-00590	24	28	700-00698	22	37	700-00827	12	45
700-00555	6	24	700-00590	26	25	700-00699	8	36	700-00828	12	38
700-00555	12	21	700-00592	28	24	700-00700	8	20	700-00831	12	36
700-00555	12	46	700-00593	10	24	700-00701	8	15	700-00832	12	4
700-00557	20	21	700-00593	14	21	700-00703	18	14	700-00833	12	12

NUMERICAL INDEX OF PARTS

PART NO	PAGE	REF NO	PART NO	PAGE	REF NO	PART NO	PAGE	REF NO	PART NO	PAGE	REF NO
700-00834	14	12									
700-00841	26	24									
700-00842	26	22									
700-00845	26	29									
700-00847	12	50									
700-00848	12	51									
700-00849	12	49									
700-00850	12	63									
700-00854	42	21									
700-00859	56	5									
700-00859	56	21									
700-00859	56	37									
700-00859	58	5									
700-00860	56	6									
700-00860	56	22									
700-00860	56	38									
700-00860	58	6									
700-00861	56	7									
700-00861	56	39									
700-00861	58	7									
700-00862	56	4									
700-00862	56	20									
700-00862	56	36									
700-00862	58	4									
700-00877	56	11									
700-00877	56	27									
700-00877	56	43									
700-00877	58	11									
700-00879	56	8									
700-00879	56	24									
700-00879	56	40									
700-00879	58	8									
700-00884	44	3									
700-00885	12	52									
700-00887	12	47									
700-00908	6	9									
700-00908	50	1									
700-00908	50	8									
700-01060	32	16									