

ENGLISH

**MF-7500D,7900D
INSTRUCTION MANUAL**

CONTENTS

I .SPECIFICATIONS	1
II .SELECTING THE MOTOR PULLEY AND THE BELT	1
III .OILING.....	2
IV .REPLACING THE LUBRICATING OIL	2

HOW TO USE THE INSTRUCTION MANUAL FOR MF-7500D/7900D

(Caution) Only the exclusive portions of MF-7500D/7900D are described in this Instruction Manual. For the items other than those, refer to the Instruction Manual for MF-7500 or MF-7900.

I .SPECIFICATIONS

Model name	Semi-dry head, high-speed, flat-bed coverstitch machine	Semi-dry head, high-speed, cylinder-bed coverstitch machine
Model	MF-7500D series	MF-7900D series
Stitch type	ISO standard 406, 407, 602, and 605	
Example of application	Hemming and covering for knits and general knitted fabrics	
Sewing speed	Max. 5,000 sti/min (during intermittent operation) Factory-set sewing speed at the time of shipment. 4,000 sti/min (during intermittent operation)	
Needle gauge	3-needle ... 4.8mm, 5.6 mm and 6.4 mm 2-needle ... 3.2 mm and 4.0 mm	3-needle ... 5.6 mm and 6.4 mm 2-needle ... 3.2 mm, 4.0 mm and 4.8 mm
Differential feed ratio	1 : 0.7 to 1 : 2 (stitch length : less than 2.5 mm) Micro-differential feed adjustment mechanism is provided. (Micro-adjustment)	1 : 0.9 to 1 : 1.8 (stitch length : less than 2.5 mm) (1:0.6 to 1:1.1, when the differential link hinge screw is changed) Micro-differential feed adjustment mechanism is provided. (Micro-adjustment)
Stitch length	1.2 mm to 3.6 mm (can be adjusted up to 4.4 mm)	0.9 mm to 3.6 mm (can be adjusted up to 4.5 mm)
Needle	UY128GAS #9S to #12S (standard #10S)	
Needle bar stroke	31mm (or 33 mm when changing over the eccentric pin)	
Dimensions	(Height) 451 x (Width) 515 x (Length) 263	(Height) 450 x (Width) 468 x (Length) 264
Weight	46 kg	42 kg
Lift of presser foot	8 mm (needle gauge : 5.6 mm without top covering), and 5 mm (with top covering) Micro-lifter mechanism is provided.	
Feed adjustment method	Main feed ... dial type stitch pitch adjustment method Differential feed ... lever adjustment method (micro-adjustment mechanism is provided.)	
Looper mechanism	Spherical rod drive method	
Lubricating system	Forced lubrication method by gear pump	
Lubricating oil	JUKI GENUINE OIL 18	
Oil reservoir capacity	Oil gauge lower line : 600 cc to upper line : 900 cc	
Installation	Semi-submerged type	Top mount type, Semi-submerged type
Noise	- Equivalent continuous emission sound pressure level (L_{pA}) at the workstation : A-weighted value of 74.0 dB; (Includes $K_{pA} = 2.5$ dB); according to ISO 10821- C.6.2 -ISO 11204 GR2 at 4,000 sti/min.	- Equivalent continuous emission sound pressure level (L_{pA}) at the workstation : A-weighted value of 76.5 dB; (Includes $K_{pA} = 2.5$ dB); according to ISO 10821- C.6.2 -ISO 11204 GR2 at 4,000 sti/min.

II .SELECTING THE MOTOR PULLEY AND THE BELT

Motor pulley and belt

Sewing speed (sti/min)	MF-7500D				MF-7900D			
	50Hz		60Hz		50Hz		60Hz	
	Pulley size	Belt size	Pulley size	Belt size	Pulley size	Belt size	Pulley size	Belt size
3,500	ø 80	M-34	ø 65	M-33	ø 80	M-38	ø 65	M-37
4,000	ø 90	M-35	ø 75	M-34	ø 90	M-38	ø 75	M-37
4,500	ø 100	M-35	ø 85	M-35	ø 100	M-39	ø 85	M-38
5,000	ø 115	M-36	ø 95	M-35	ø 115	M-40	ø 95	M-39

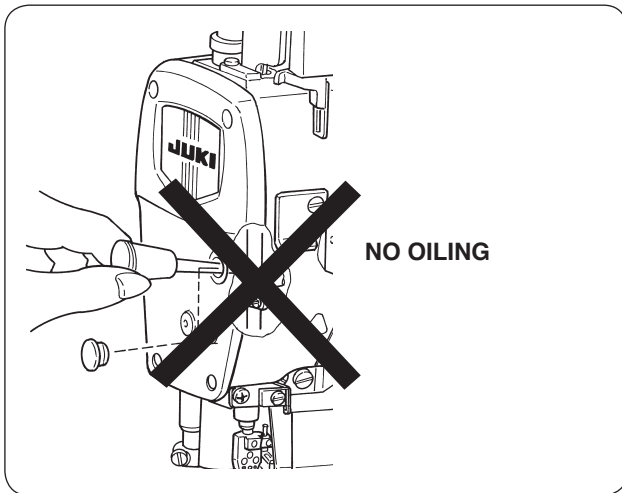
* The table shows the numbers when a 3-phase 2-pole 400 W clutch motor (1 / 2 HP) is used.

* The commercially-available motor pulley near to the counted value is designated since the outside diameter of the commercially-available motor pulley counts by 5 mm.



Use a motor pulley which is adaptable to this sewing machine. The sewing speed exceeds the max. sewing speed of this sewing machine and machine trouble will be caused unless a motor pulley which is adaptable to this sewing machine is used.

III. OILING



The mechanisms inside the frame such as the needle bar, presser lift and spreader components are lubricated with grease. Never add oil inside the frame.



If inside of the frame is oiled, the grease will be expelled, resulting in mechanical failure.

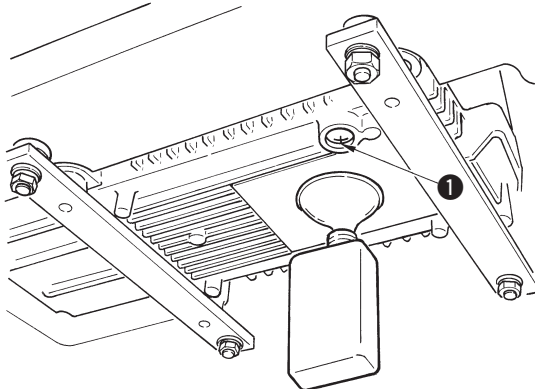
IV. REPLACING THE LUBRICATING OIL



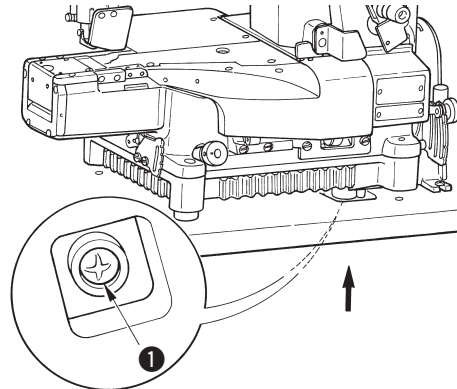
WARNING :

To protect against possible personal injury due to abrupt start of the machine, be sure to start the following work after turning the power off and ascertaining that the motor is at rest.

MF-7500D



MF-7900D



In case of the new sewing machine, replace the lubricating oil (JUKI GENUINE OIL 18) with new one after using it for approximately one month. Then replace the lubricating oil every six months.

- 1) Set a container to receive the lubricating oil under drain screw ❶.
- 2) Remove drain screw ❶. The lubrication oil is drained.
- 3) After the drain, wipe out the oil and attach the drain screw ❶.