

# ***PARTS LIST***

## **MF-7900(D)UT55,56,57 PARTS LIST**

下記 URL (PARTS Website/PC サイト) より、便利な検索機能のついた Web Parts Book をご利用頂けます。  
ご利用には会員登録が必要です。(無料)

<https://juki.aftama.com/JUKI/JA>

You can use a Web Parts Book with a convenient search function from the URLs (PARTS Website/PC-site)  
below. To use the PARTS Website, free membership registration is required.

<https://juki.aftama.com/JUKI/EN>

## HOW TO MAKE USE OF THIS PARTS LIST

### 1.Explanation of codes

1)"\*" mark.....means this part is changed from the previous parts book.

As to the details of the change, refer to the "List for information of change".

2)"#01".....refer to "Note" explanation at bottom of page.

### 2.Codes on the "Qty" column

- Each numeral indicates the number of parts required.
- "0.1" and "2.5" indicate the length (in meters) of the respective parts.

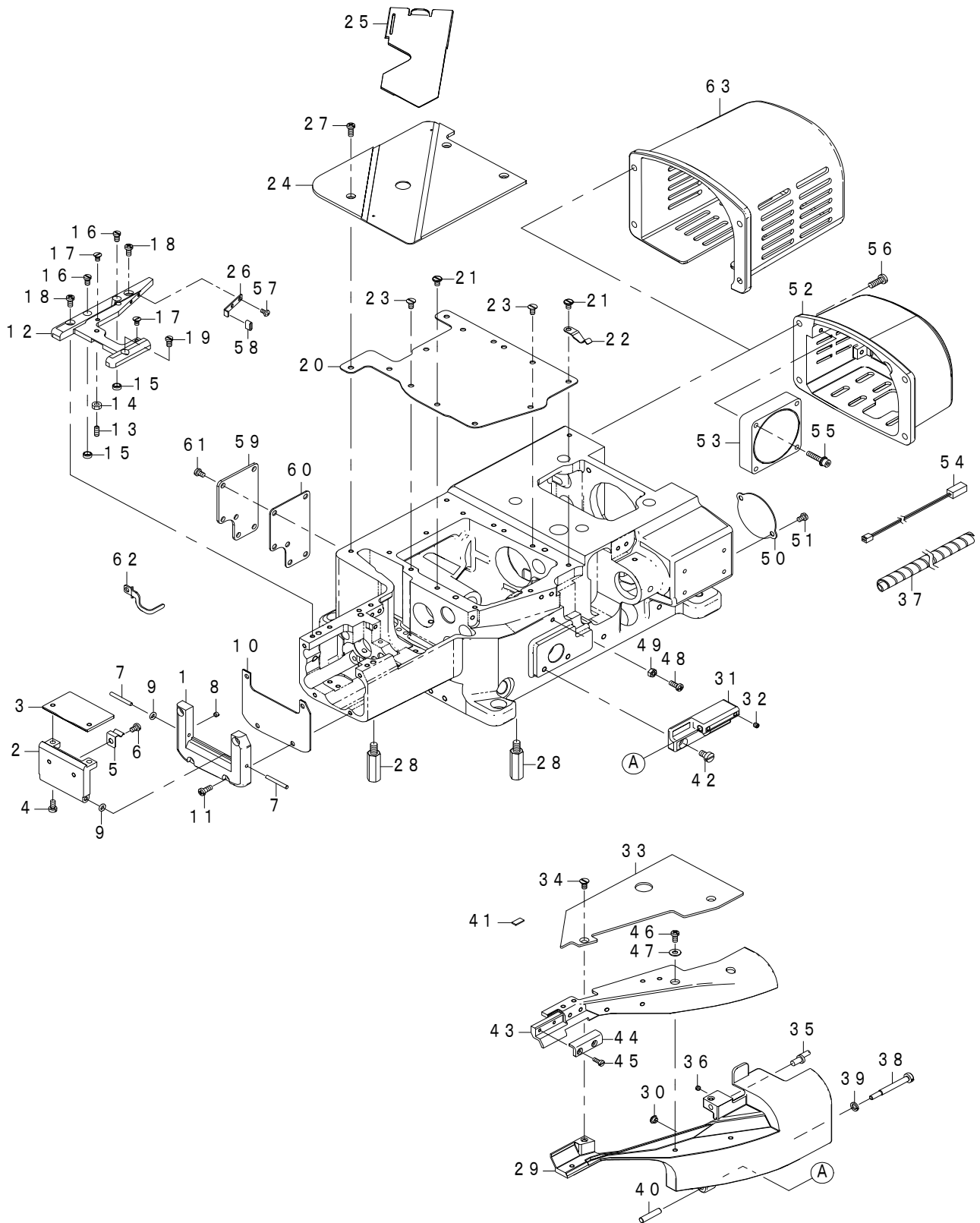
3.Parentheses mean that the corresponding part is a subpart that constructs an assembly part.

4.Dotted lines on the Figures indicate assembly parts.

# CONTENTS

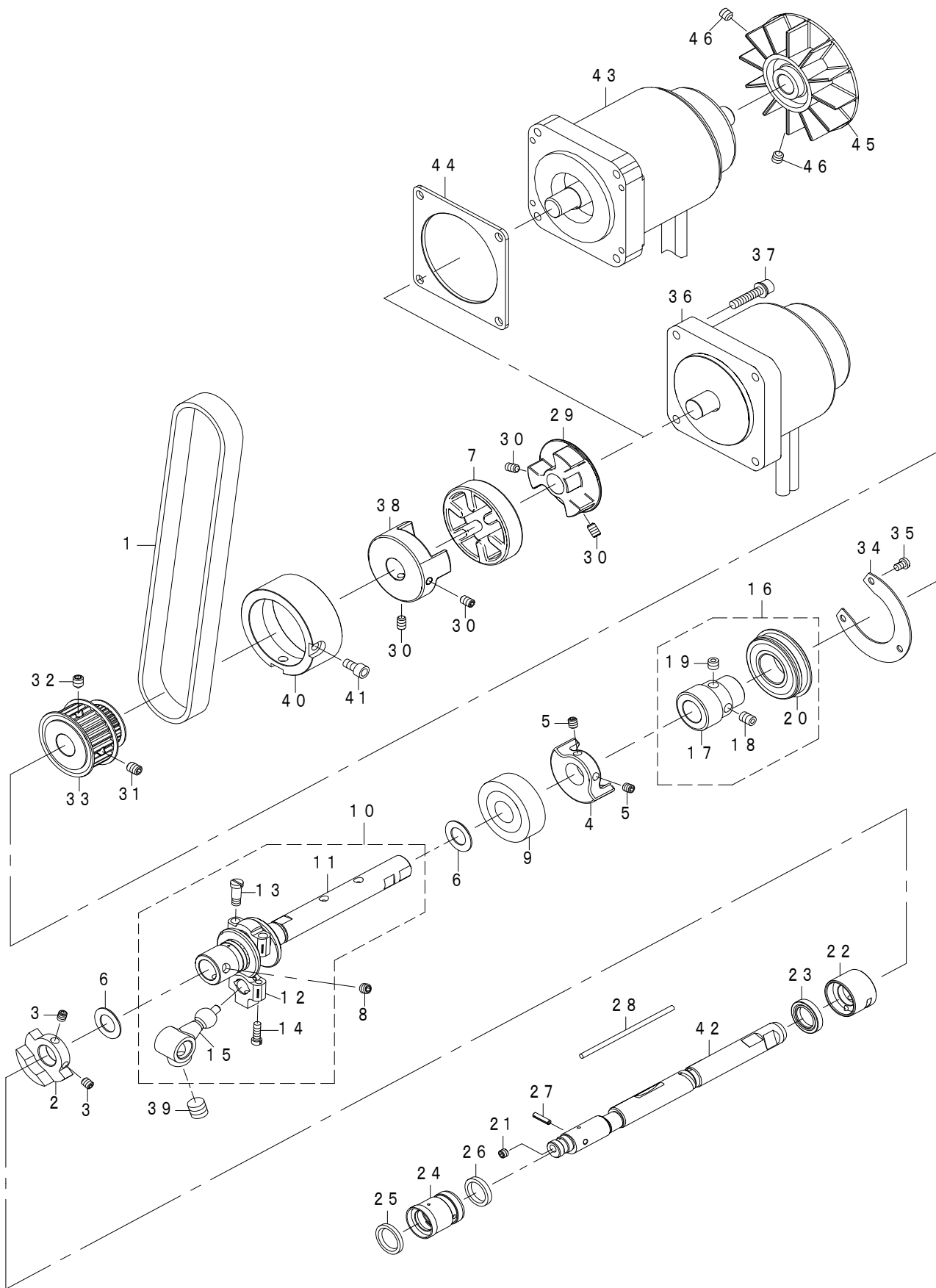
1. MISCELLANEOUS COVER COMPONENTS.....	1
2. LOWER SHAFT COMPONENTS .....	3
3. THREAD TENSION COMPONENTS .....	5
4. LOOPER THREAD TRIMMER COMPONENTS .....	7
5. PNEUMATIC DRIVE & PRESSER FEED LIFTER COMPONENTS .....	9
6. TOP COVER THREAD TRIMMER COMPONENTS (UT57,UT57A).....	11
7. NEEDLE THREAD WIPER COMPONENTS (UT55).....	12
8. ACCESSORIE PARTS COMPONENTS .....	13
9. LIST FOR INFORMATION OF CHANGE.....	14
NUMERICAL INDEX OF PARTS .....	15

# 1. MISCELLANEOUS COVER COMPONENTS



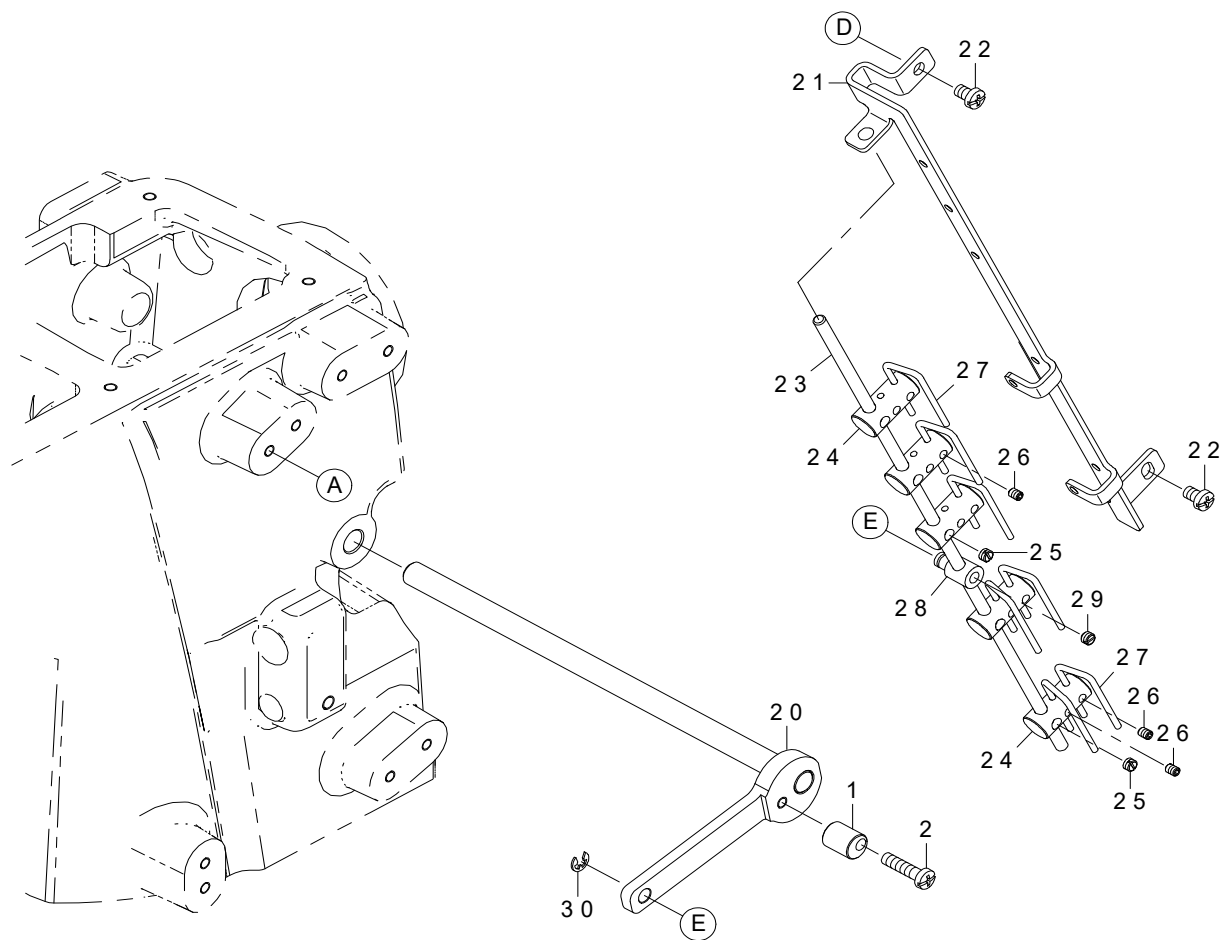
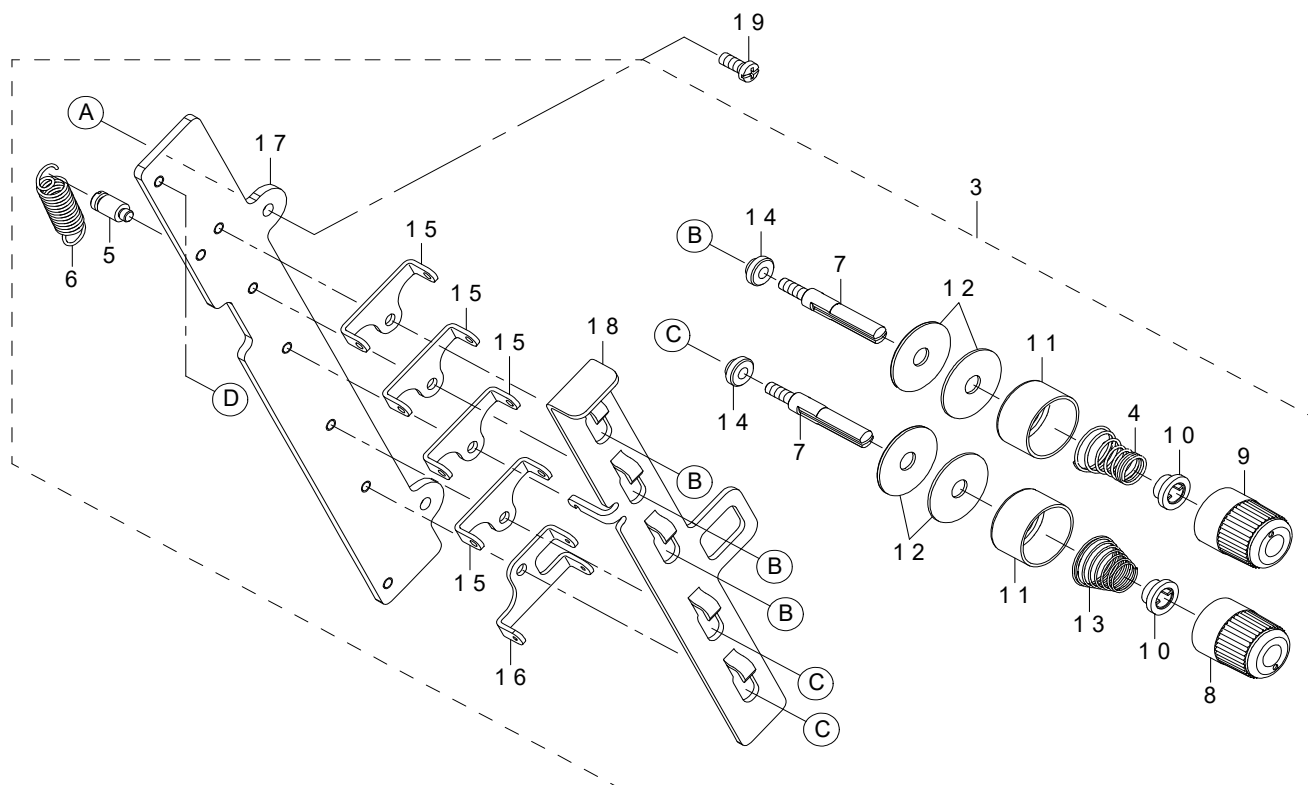
REF.NO	NOTE	PART NO	DESCRIPTION	Qty
1		700-01657	CYLINDER COVER	1
2		700-01655	SIDE_COVER_BOTTOM	1
3		700-01653	SIDE_COVER_UPPER	1
4		SM-6040800-SP	SCREW	2
5		134-01906	LATCH SPRING 2	1
6		SM-4040655-SP	SCREW M4 L=6	1
7		PH-0300252-C0	PIN	2
8		SM-8040360-TP	SCREW	2
9		RO-0371801-00	RUBBER RING	2
10		700-01661	GASKET	1
11		SM-4041055-SP	SCREW	4
12		401-78900	THROAT_PLATE_SUPPORT	1
13		SM-8041012-TP	SCREW M4 L=10	1
14		NM-6040000-SN	NUT M4	1
15		400-82196	ADJUSTING_COLLAR	2
16		SM-6040750-TP	SCREW M4 L=7	2
17		133-02203	SCREW	2
18		SM-4040855-SP	SCREW	2
19		SM-6040750-TP	SCREW M4 L=7	1
20		700-01663	GASKET_B	1
21		SM-6040800-SP	SCREW	6
22		134-02003	LATCH SPRING	1
23		SM-1040860-SP	SCREW	4
24		700-03355	CLOTH_PLATE_ASSY	1
25		134-01401	SLIDE_COVER	1
26		134-03407	SLIDE_COVER_SUPPORT	1
27		SM-4041055-SP	SCREW	3
28		133-01809	SUPPORT STUD	4
29		700-01650	SWING_DOWN_COVER	1
30		133-02302	RUBBER BUMPER	1
31		700-01648	HINGE	1
32		SM-8040412-TP	SET SCREW M4 L=4	2
33		401-78898	CLOTH_PLATE_FRONT	1
34		SM-1040800-SP	SCREW	2
35		134-02706	PIN FOR COVER	1
36		SM-8040360-TP	SCREW	1
37		HX-0031400-0D	SPIRAL TUBE	0.7
38		700-01414	SCREW	1
39		WS-0510002-KP	SPRING WASHER 5.1X9.2X1.3	1
40		134-09800	DIFF_LINK_PIN	1
41		134-03605	RUBBER_PLATE	1
42		SM-6050800-SP	SCREW M5 L=8	2
43		700-01652	BRACKET	1
44		700-01678	BRACKET	1
45		SM-6030800-SP	SCREW M3X0.5 L=8	2
46		SM-4040855-SP	SCREW	2
47		WP-0450801-SC	WASHER 4.5X10X0.8	2
48		SM-4041055-SP	SCREW	1
49		NM-6040001-SC	NUT M4X0.7 TYPE1	1
50		700-01673	LOOPER_THD_COVER	1
51		SM-4040655-SP	SCREW M4 L=6	2
52	#01	700-01413	MOTOR_COVER	1
53	#01	401-19461	HEAD_FAN MOTOR A ASSY	1
54		700-01457	FAN_CORD_ASSY	1
55		SL-6042092-TN	SCREW M4 L=20	2
56		SM-4051455-SP	SCREW M5 L=14	4
57		SM-4030655-SP	SCREW	2
58		236-30007	TUBE	0.005
59		700-01642	COVER_FOR_FEED_ADJUST	1
60		700-01643	COVER_FOR_FEED_ADJUST_PACKING	1
61		SM-4040855-SP	SCREW	6
62		700-01484	FINGER_GUARD	1
63	* #02	402-39622	MOTOR_COVER	1
		NOTE	#01.....FOR MF-7900 #02.....FOR MF-7923ND	

## 2. LOWER SHAFT COMPONENTS



REF.NO	NOTE	PART NO	DESCRIPTION	Qty
1		134-06905	TIMING BELT	1
2		134-08406	BALANCE_WEIGHT_LMS_1	1
3		SM-8050612-TP	SCREW M5X6	2
4		134-08505	BALANCE_WEIGHT_LMS_2	1
5		SM-8050612-TP	SCREW M5X6	2
6		400-17824	LOOPER LOD STOPPER	2
7		401-12107	SPIDER	1
8		SM-8060552-TP	SCREW M6 L=5	2
9		SB-1150023-00	BEARING	1
10		700-01692	LMS_RIGHT_ROD_ASSY	1
11		700-01684	LMS_RIGHT	(1)
12		700-01685	LOOPER_ROD	(1)
13		SD-0550906-TP	SHOULDER SCREW	(2)
14		133-24108	SCREW	(2)
15		700-01686	CRANK	(1)
16		700-03278	LMS_WORM_ASSY	1
17		133-08507	COUPLING D	(1)
18		SM-8060552-TP	SCREW M6 L=5	(2)
19		SM-8060842-TP	SCREW M6 L=8	(1)
20		700-01458	BEARING	(1)
21		SM-8050412-TP	SCREW M5 L=4	1
22		700-01682	BUSHING_LMS_MIDDLE	1
23		134-08703	OIL_SEAL	1
24		700-01683	BUSHING_LMS_LEFT	1
25		134-07903	OIL SEAL	1
26		134-08604	FELT_LMS_LEFT_BUSH	1
27		PS-0300122-KH	SPRING PIN 3X12	1
28		CQ-3000000-01	OIL WICK	0.075
29		401-12106	HUB_R	1
30		SM-8050412-TP	SCREW M5 L=4	4
31		SM-8060812-TP	SCREW M6 L=8	1
32		SM-8060842-TP	SCREW M6 L=8	1
33		700-04184	LMS_SPROCKET	1
34		700-01451	THRUST_PLATE	1
35		SM-4040655-SP	SCREW M4 L=6	3
36		401-18009	SERVO MOTOR	1
37		SL-6052592-TN	BOLT	4
38		401-12105	HUB_L	1
39		SM-8550952-TP	SCREW	1
40		700-03317	FLY_WHEEL_FOR_DD	1
41		SM-6051002-TP	SCREW M5X0.8 L=10	2
42		700-01681	LOWER_MAINSHAFT_LEFT	1
43	* #01	401-89017	SERVO MOTOR	1
44	* #01	402-37509	PLATE	1
45	* #01	401-97992	FAN_BLADE_ASM	1
46	* #01	SM-8061212-TP	SCREW M6X12	2
		NOTE	#01...FOR MF-7923ND-H23	

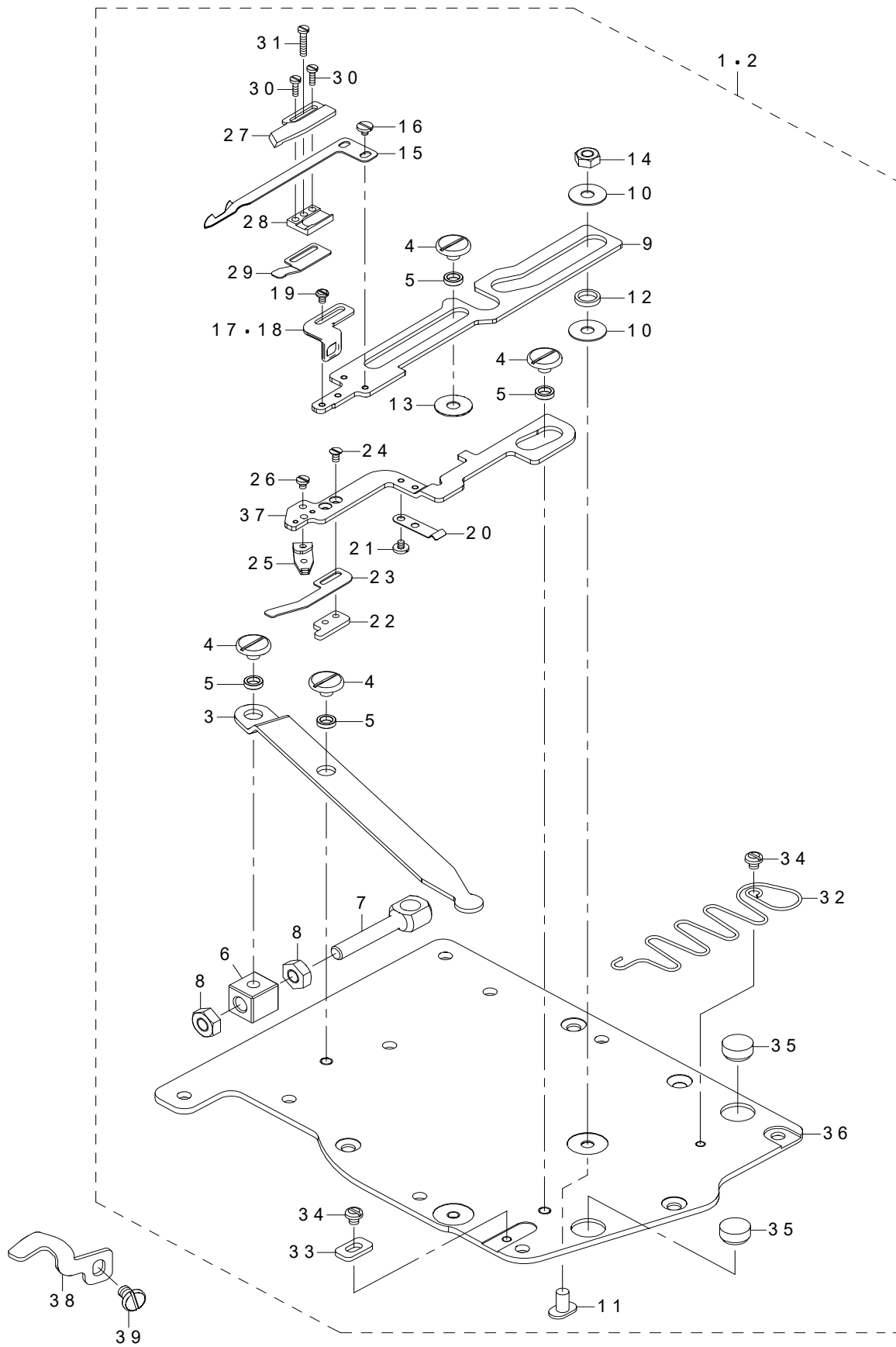
### 3. THREAD TENSION COMPONENTS





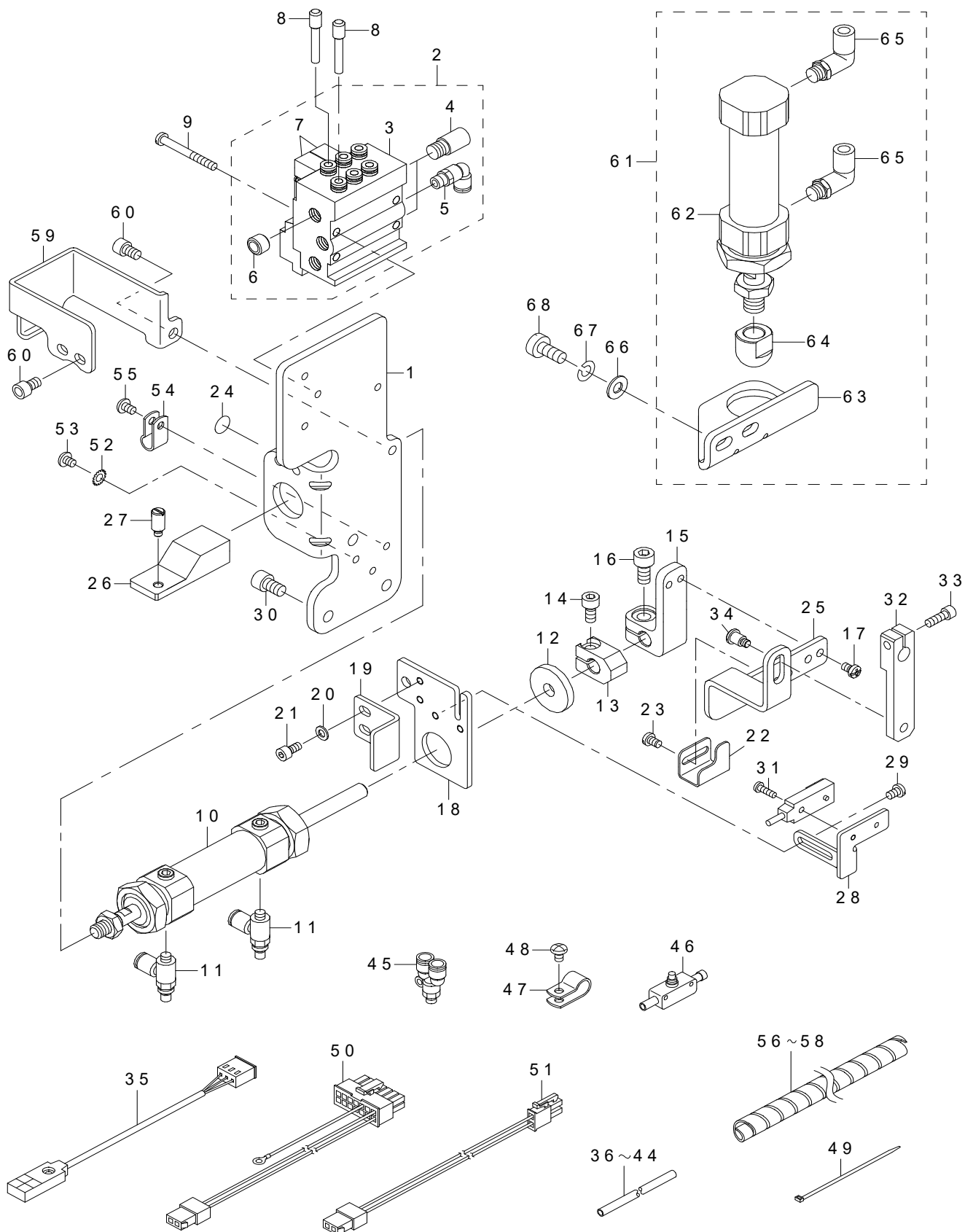
REF.NO	NOTE	PART NO	DESCRIPTION	Qty
1		400-65785	TENS_RELEASE_ADJ_ECC	1
2		SM-4041655-SP	SCREW M4 L=16	1
3		700-01612	THREAD_TENSION_ASSY	1
4		131-40504	TENSION SPRING	(3)
5		133-40302	SHOULDER SCREW	(1)
6		260-19000	THREAD TENSION SPRING	(1)
7		700-01620	TENSION_POST	(5)
8		400-42363	KNOB	(2)
9		400-42364	KNOB GREEN	(3)
10		400-42365	SPRING BUSHING	(5)
11		400-42366	THREAD TENSION DISK PRESSER	(5)
12		401-01602	THREAD_TENSION_DISC	(10)
13		401-02003	SPRING	(2)
14		700-01617	SPACER	(5)
15		700-01615	TENSION_DISC_EYELET_A	(4)
16		700-01616	TENSION_DISC_EYELET_B	(1)
17		700-01613	TENSION_POST_SUPPORT	(1)
18		700-01614	TENSION_DISC_SEPARATOR	(1)
19		SM-4041055-SP	SCREW	2
20		700-01618	PULL_OFF_LEVER_ASSY	1
21		700-01621	THREAD_GUIDE	1
22		SM-4040655-SP	SCREW M4 L=6	2
23		134-56108	PULL_OFF_BAR	1
24		134-56207	THD_P_O_HOOK_GUIDE	5
25		SM-8040360-TP	SCREW	5
26		SM-8030412-TP	SCREW	7
27		134-56603	THD_PULL_OFF_HOOK	7
28		134-56405	THD_PULL_OFF_BAR HOLDER	1
29		SM-8040360-TP	SCREW	1
30		RE-0300000-K0	E-RING 3	1

#### 4. LOOPER THREAD TRIMMER COMPONENTS



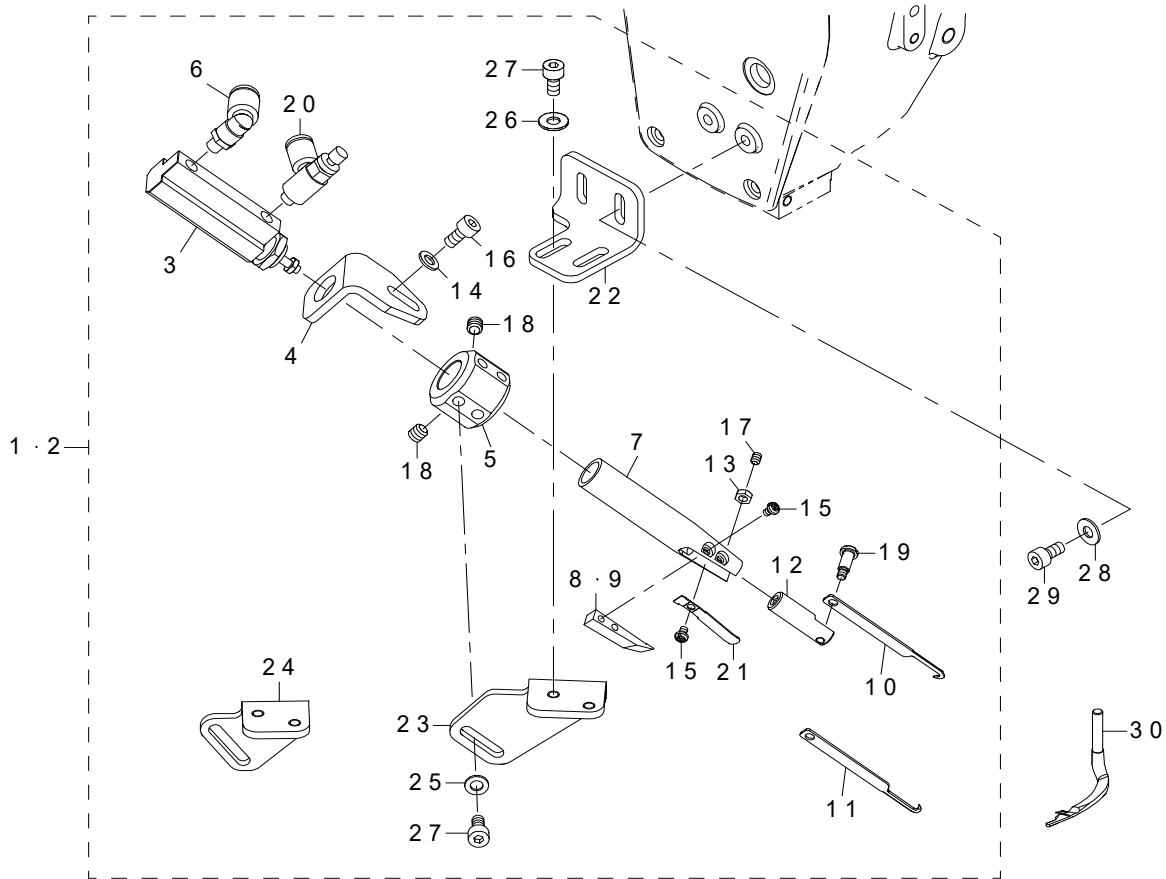
REF.NO	NOTE	PART NO	DESCRIPTION	Qty
1		700-01802	UNDER_TRIMMER_ASSY	1
2	#01	700-03424	UNDER_TRIMMER_ASSY_E11	1
3		400-86294	LEVER	(1)
4		400-86303	SCREW_M4X0.5L4	(4)
5		400-86293	COLLAR_D6	(4)
6		400-86295	CONNECTING_BLOCK_A	(1)
7		400-86296	CONNECTING_BLOCK_B	(1)
8		NM-6050001-SP	NUT M5	(2)
9		400-86275	LOWER_KNIFE HOLDER	(1)
10		WP-0420516-KH	THRUST WASHER 4.2	(2)
11		400-70110	SCREW	(1)
12		400-86292	COLLAR_D8	(1)
13		WP-0431005-SP	PLAIN WASHER 4.3X12X1	(1)
14		NM-6040001-SP	NUT M4X0.7	(1)
15		400-86274	LOWER_KNIFE	(1)
16		400-86300	SCREW_M2L2.3	(2)
17		700-01800	THREAD_GUIDE	(1)
18	#01	700-03362	THREAD_GUIDE	(1)
19		400-86301	SCREW_M2L3	(2)
20		400-86286	GUIDE_SPRING	(1)
21		400-86300	SCREW_M2L2.3	(2)
22		400-86282	PLATE	(1)
23		400-86280	THREAD_CLAMP	(1)
24		SM-1020450-TP	SCREW M2 L=4	(2)
25		400-86308	TENSION_LEVER	(1)
26		SM-6020350-SP	SCREW M2 L=2.5	(1)
27		400-86277	UPPER_KNIFE	(1)
28		400-86278	LOWER_KNIFE_GUIDE	(1)
29		400-86279	KNIFE_SPRING	(1)
30		400-86298	SCREW_M1.6L6	(2)
31		400-86299	SCREW_M2L10	(1)
32		134-40409	SPRING_FOR_UT	(1)
33		400-86290	STOPPER	(1)
34		400-86302	SCREW_M3L3	(2)
35		TA-0980502-R0	RUBBER_PLUG	(2)
36		700-01662	COVER_PLATE	(1)
37		700-01801	KNIFE_GUIDE_HOLDER	(1)
38		700-01799	GUIDE_BASE	1
39		SM-6040650-TP	SCREW	1
		NOTE	#01....FOR MF-7900-E11/E22,E23	

## 5. PNEUMATIC DRIVE & PRESSER FEED LIFTER COMPONENTS



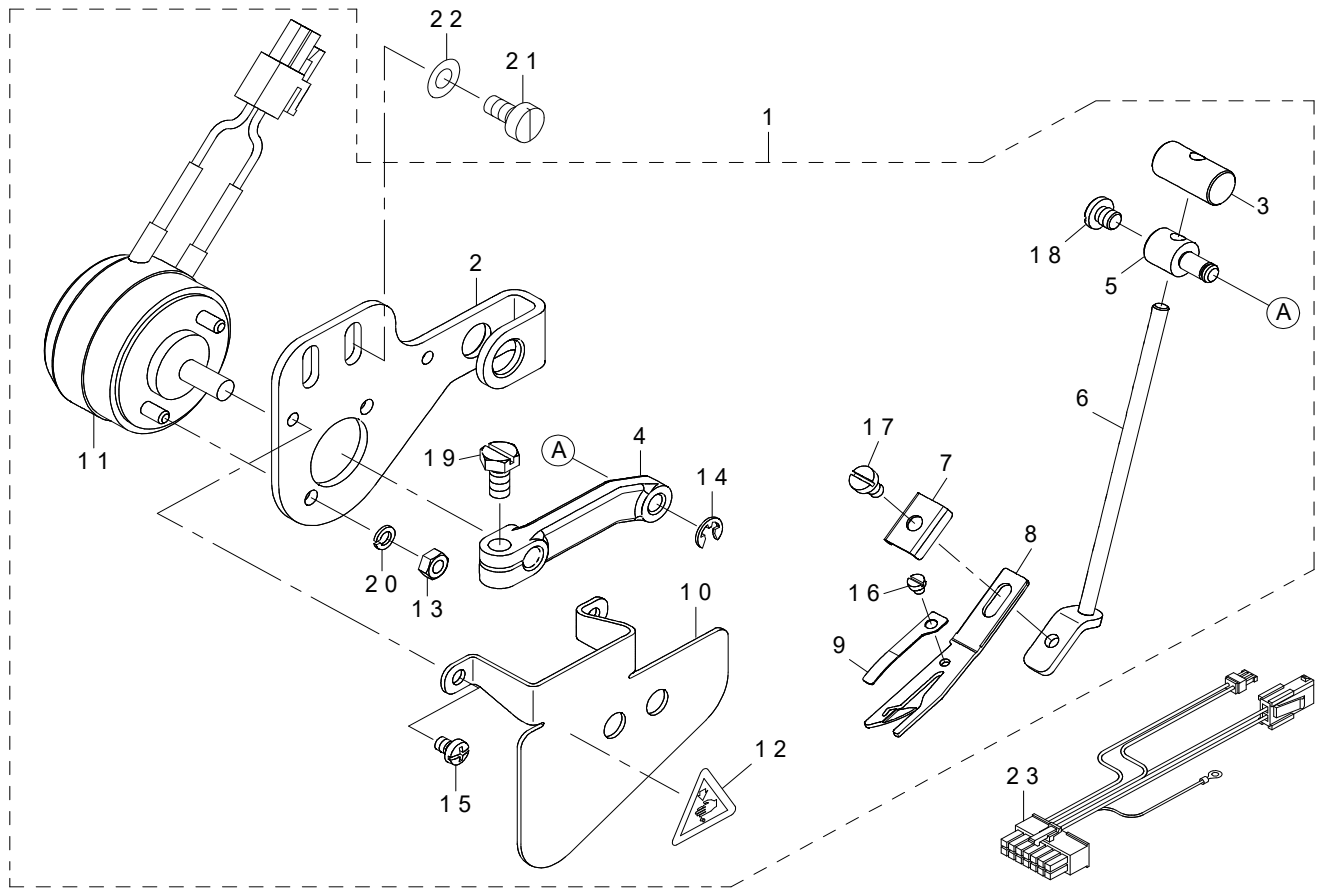
REF.NO	NOTE	PART NO	DESCRIPTION	Qty
1		134-42504	AIR_CYLINDER_BRACKET	1
2		400-72396	MANIFOLD_VALVE_ASSY	1
3		PV-0351610-00	MANIFOLD	(1)
4		PX-0551040-00	SILENCER (PT1/8)	(2)
5		PJ-3040651-01	ELBOW UNION 6XPT1/8	(1)
6		PJ-0251000-02	PLUG R1/8	(3)
7		PV-1501032-00	5-PORT SOKENOID VALVE	(2)
8		PX-5000140-00	PLUG	2
9		SM-4043555-SP	SCREW	2
10		PA-2001802-A0	AIR CYLINDER	1
11		PC-0105080-00	SPEED CONTROLLER	2
12		134-43601	WASHER	1
13		134-42900	COLLAR	1
14		SM-6051002-TP	SCREW M5X0.8 L=10	1
15		134-43007	PLATE HOLDER	1
16		SM-6061202-TP	SCREW M6 L=12	1
17		SM-4040655-SP	SCREW M4 L=6	2
18		700-01776	SENSOR HOLDER	1
19		700-01778	SUPPORT_PLATE_UT	1
20		WP-0430800-SC	WASHER M4	2
21		SM-6040802-TP	SCREW M4X0.7 L=8	2
22		134-43205	SWITCH_PLATE	1
23		SM-4040655-SP	SCREW M4 L=6	2
24		229-01805	GROUND MARK	1
25		134-43106	TENS_RELEASE_PLATE	1
26		134-42603	PLUNGER	1
27		134-42702	PIN	1
28		700-01777	SENSOR HOLDER	1
29		SM-4040655-SP	SCREW M4 L=6	2
30		SM-6061002-TP	SCREW M6 L=10	3
31		SM-4031001-SN	SCREW	1
32		700-01479	TENSION_RELEASE_LEVER	1
33		SM-6041202-TP	SCREW M4X0.7 L=12	1
34		SD-0700706-TP	SHOULDER SCREW	1
35		400-21746	UNDER_TRIMMER_SENSOR_CABLE_ASM	1
36		BT-0400251-EB	URETHANE TUBE BLACK 4X2.5	0.27
37		BT-0400251-EB	URETHANE TUBE BLACK 4X2.5	0.32
38		BT-0400251-EB	URETHANE TUBE BLACK 4X2.5	0.08
39		BT-0400251-EB	URETHANE TUBE BLACK 4X2.5	0.08
40		BT-0400251-EB	URETHANE TUBE BLACK 4X2.5	0.42
41		BT-0400251-EB	URETHANE TUBE BLACK 4X2.5	0.23
42		BT-0400251-EB	URETHANE TUBE BLACK 4X2.5	0.63
43		BT-0400251-EB	URETHANE TUBE BLACK 4X2.5	0.3
44		BT-0400251-EB	URETHANE TUBE BLACK 4X2.5	0.22
45		PJ-3080400-06	UNION	2
46		PC-0124010-00	SPEED CONTROLLER	1
47		HX-0015000-0C	CABLE CLAMP	2
48		SM-4040655-SP	SCREW M4 L=6	2
49		EA-9500B01-00	CABLE BAND	3
50		400-27211	UNDER_TRIMMER_CABLE_B_ASM	1
51		400-27213	LIFT_UP_CABLE_B_ASM	1
52		WT-0430002-KN	WASHER M4	1
53		SM-4040501-SN	SCREW M4X0.7 L=5	1
54		HX-0015000-0B	CABLE CLAMP	1
55		SM-4040655-SP	SCREW M4 L=6	1
56		HX-0031400-00	SPIRAL TUBE	0.96
57		HX-0031400-0D	SPIRAL TUBE	0.12
58		HX-0031400-0D	SPIRAL TUBE	0.1
59		400-69703	SOLENOIDE_COVER	1
60		SM-6050802-TP	SCREW M5X0.8 L=8	3
61		400-18079	PNEUMATIC_P_F_LIFTER_ASSY	1
62		PA-2503004-A0	AIR CYLINDER	(1)
63		134-55001	AIR_CYLINDER_BRACKET	(1)
64		134-55100	AIR_CYLINDER_CAP	(1)
65		PJ-3040451-02	ELBOW UNION_C	(2)
66		WP-0621016-SD	WASHER 6.2X13X1	2
67		WS-0610002-KP	SPRING WASHER	2
68		SM-6061400-SP	SCREW M6 L=14	2

## 6. TOP COVER THREAD TRIMMER COMPONENTS (UT57,UT57A)



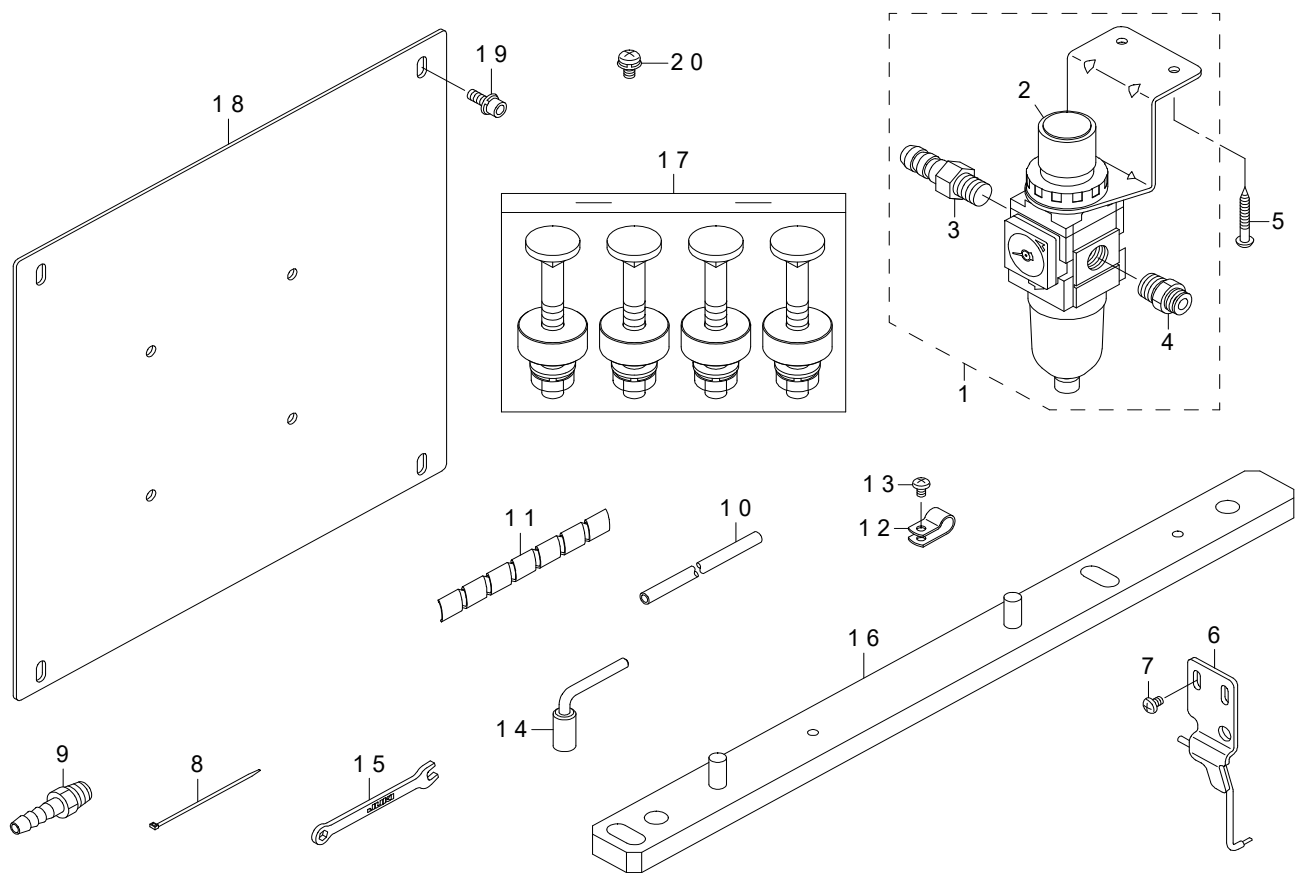
REF.NO	NOTE	PART NO	DESCRIPTION	Qty
1		700-01788	U_L_THREAD_TRIMMER_ASSY	1
2	#01	700-02246	U_L_THREAD_TRIMMER_ASSY(TURKEY)	1
3		PA-0602006-A0	AIR_CYLINDER	(1)
4		134-59300	AIR_CYLINDER_BRACKET	(1)
5		134-58203	COLLAR	(1)
6		PJ-3040405-04	UNION	(1)
7		700-01781	KNIFE HOLDER	(1)
8		134-58500	LOWER_KNIFE	(1)
9	#01	400-29004	FIXED_KNIFE	(1)
10		400-65510	MOVING_KNIFE	(1)
11	#01	700-01791	MOVING_KNIFE	(1)
12		700-01780	MOVING_KNIFE_HOLDER	(1)
13		NM-6030250-SC	NUT M3X0.5	(1)
14		WP-0430800-SC	WASHER M4	(2)
15		SM-4850455-SP	SCREW	(3)
16		SM-6040802-TN	SCREW	(2)
17		SM-8030450-SP	SCREW M3 L=4	(1)
18		SM-8050512-TP	SCREW	(2)
19		700-01782	SHOULDER_SCREW	(1)
20		PC-0105080-00	SPEED_CONTROLLER	(1)
21		134-58401	SPRING	(1)
22		700-01783	BRACKET_2	(1)
23		700-01784	BRACKET	(1)
24	#01	700-01790	BRACKET_FOR_TURKEY	(1)
25		WP-0430800-SC	WASHER M4	(2)
26		WP-0450826-SC	WASHER 4.5X10X0.8	(2)
27		SM-6040802-TN	SCREW	(4)
28		WP-0450826-SC	WASHER 4.5X10X0.8	2
29		SM-6040802-TN	SCREW	2
30	#01	700-01563	UPPER_LOOPER	1
		NOTE	#01....FOR TURKEY (UT57A)	

## 7. NEEDLE THREAD WIPER COMPONENTS (UT55)



REF.NO	NOTE	PART NO	DESCRIPTION	Qty
1		400-31642	NEEDLE_THREAD_WIPER_ASSY	1
2		400-31388	SOLENOID_BRACKET	(1)
3		400-31390	WIPER_BAR_GUIDE	(1)
4		400-31391	SOLENOID_LEVER	(1)
5		400-31392	SOLENOID_LEVER_PIN	(1)
6		400-31394	WIPER_BAR_ASSY	(1)
7		400-31396	WIPER HOLDER	(1)
8		400-31397	WIPER	(1)
9		400-31399	THD_CLAMP_SPRING	(1)
10		400-31402	SAFETY_COVER	(1)
11		400-32661	ROTARY_SOLENOID_ASSY	(1)
12		CM-3002000-01	FINGER INJURY CAUTION LABEL (16)	(1)
13		NM-6030001-SN	NUT	(2)
14		RE-0300000-K0	E-RING 3	(1)
15		SM-4030455-SP	SCREW	(2)
16		SM-6020250-TP	SCREW.	(1)
17		SM-6030500-SN	SCREW M3 L=5	(1)
18		SM-6040450-TP	SCREW M4 L=4	(1)
19		SM-9040800-SP	SCREW	(1)
20		WS-0310002-KN	SPRING WASHER M3	(2)
21		SM-6040800-SP	SCREW	2
22		WP-0450826-SC	WASHER 4.5X10X0.8	2
23		400-34194	UT23_UT_CABLE_ASSY	1

## 8. ACCESSORIE PARTS COMPONENTS



REF.NO	NOTE	PART NO	DESCRIPTION	Qty
1		400-18052	FILTER_REGULATOR_ASSY	1
2		PF-0552070-C0	FILTER GEGULATOR	(1)
3		F1021-003-000	HOSE JOINT	(1)
4		PJ-3010652-01	HALF UNION 6XPT1/4	(1)
5		SK-3452001-SE	WOOD SCREW D=4.5 L=20	2
6	#02	700-01785	AIR_BLOW_WIPER_ASSY	1
7		SM-4040655-SP	SCREW M4 L=6	2
8		EA-9500B01-00	CABLE BAND	3
9		PJ-0325260-01	HOSE NIPPLE	1
10		BT-0600401-EB	URETHANE TUBE BLACK 6X4	2
11		HX-0031400-0A	SPIRAL TUBE	0.6
12		HX-0015000-0C	CABLE CLAMP	1
13		SM-4040655-SP	SCREW M4 L=6	1
14		400-73360	WRENCH	1
15		131-60106	SPANNER (5X6)	1
16	#01	700-01843	SUPPORT_PLATE_ASSY	2
17	#01	400-26691	ASSY_BOLT_SET(7800_SUBMERGED)	1
18	#01	400-94198	SC_BRACKET	1
19	#01	SL-6051492-TN	BOLT	4
20	#01	SL-4051091-SC	SCREW M5X0.8 L=10	4
		NOTE	#01.....FOR HALF-SUNKEN TYPE TABLE	
			#02.....FOR UT56	





NUMERICAL INDEX OF PARTS

PART NO	PAGE	REF NO	PART NO	PAGE	REF NO	PART NO	PAGE	REF NO	PART NO	PAGE	REF NO
BT-0400251-EB	10	36	SM-4040655-SP	2	6	WP-0450826-SC	11	26	400-42364	6	9
BT-0400251-EB	10	37	SM-4040655-SP	2	51	WP-0450826-SC	11	28	400-42365	6	10
BT-0400251-EB	10	38	SM-4040655-SP	4	35	WP-0450826-SC	12	22	400-42366	6	11
BT-0400251-EB	10	39	SM-4040655-SP	6	22	WP-0621016-SD	10	66	400-65510	11	10
BT-0400251-EB	10	40	SM-4040655-SP	10	17	WS-0310002-KN	12	20	400-65785	6	1
BT-0400251-EB	10	41	SM-4040655-SP	10	23	WS-0510002-KP	2	39	400-69703	10	59
BT-0400251-EB	10	42	SM-4040655-SP	10	29	WS-0610002-KP	10	67	400-70110	8	11
BT-0400251-EB	10	43	SM-4040655-SP	10	48	WT-0430002-KN	10	52	400-72396	10	2
BT-0400251-EB	10	44	SM-4040655-SP	10	55				400-73360	13	14
BT-0600401-EB	13	10	SM-4040655-SP	13	7	131-40504	6	4	400-82196	2	15
			SM-4040655-SP	13	13	131-60106	13	15	400-86274	8	15
CM-3002000-01	12	12	SM-4040855-SP	2	18	133-01809	2	28	400-86275	8	9
CQ-3000000-01	4	28	SM-4040855-SP	2	46	133-02203	2	17	400-86277	8	27
			SM-4040855-SP	2	61	133-02302	2	30	400-86278	8	28
EA-9500B01-00	10	49	SM-4041055-SP	2	11	133-08507	4	17	400-86279	8	29
EA-9500B01-00	13	8	SM-4041055-SP	2	27	133-24108	4	14	400-86280	8	23
			SM-4041055-SP	2	48	133-40302	6	5	400-86282	8	22
F1021-003-000	13	3	SM-4041055-SP	6	19	134-01401	2	25	400-86286	8	20
			SM-4041655-SP	6	2	134-01906	2	5	400-86290	8	33
HX-0015000-0B	10	54	SM-4043555-SP	10	9	134-02003	2	22	400-86292	8	12
HX-0015000-0C	10	47	SM-4051455-SP	2	56	134-02706	2	35	400-86293	8	5
HX-0015000-0C	13	12	SM-4850455-SP	11	15	134-03407	2	26	400-86294	8	3
HX-0031400-0A	13	11	SM-6020250-TP	12	16	134-03605	2	41	400-86295	8	6
HX-0031400-0D	2	37	SM-6020350-SP	8	26	134-06905	4	1	400-86296	8	7
HX-0031400-0D	10	57	SM-6030500-SN	12	17	134-07903	4	25	400-86298	8	30
HX-0031400-0D	10	58	SM-6030800-SP	2	45	134-08406	4	2	400-86299	8	31
HX-0031400-00	10	56	SM-6040450-TP	12	18	134-08505	4	4	400-86300	8	16
			SM-6040650-TP	8	39	134-08604	4	26	400-86300	8	21
NM-6030001-SN	12	13	SM-6040750-TP	2	16	134-08703	4	23	400-86301	8	19
NM-6030250-SC	11	13	SM-6040750-TP	2	19	134-09800	2	40	400-86302	8	34
NM-6040000-SN	2	14	SM-6040800-SP	2	4	134-40409	8	32	400-86303	8	4
NM-6040001-SC	2	49	SM-6040800-SP	2	21	134-42504	10	1	400-86308	8	25
NM-6040001-SP	8	14	SM-6040800-SP	12	21	134-42603	10	26	400-94198	13	18
NM-6050001-SP	8	8	SM-6040802-TN	11	16	134-42702	10	27	401-01602	6	12
			SM-6040802-TN	11	27	134-42900	10	13	401-02003	6	13
PA-0602006-A0	11	3	SM-6040802-TN	11	29	134-43007	10	15	401-12105	4	38
PA-2001802-A0	10	10	SM-6040802-TP	10	21	134-43106	10	25	401-12106	4	29
PA-2503004-A0	10	62	SM-6041202-TP	10	33	134-43205	10	22	401-12107	4	7
PC-0105080-00	10	11	SM-6050800-SP	2	42	134-43601	10	12	401-18009	4	36
PC-0105080-00	11	20	SM-6050802-TP	10	60	134-55001	10	63	401-19461	2	53
PC-0124010-00	10	46	SM-6051002-TP	4	41	134-55100	10	64	401-78898	2	33
PF-0552070-C0	13	2	SM-6051002-TP	10	14	134-56108	6	23	401-78900	2	12
PH-0300252-C0	2	7	SM-6061002-TP	10	30	134-56207	6	24	401-89017	4	43
PJ-0251000-02	10	6	SM-6061202-TP	10	16	134-56405	6	28	401-97992	4	45
PJ-0325260-01	13	9	SM-6061400-SP	10	68	134-56603	6	27	402-37509	4	44
PJ-3010652-01	13	4	SM-8030412-TP	6	26	134-58203	11	5	402-39622	2	63
PJ-3040405-04	11	6	SM-8030450-SP	11	17	134-58401	11	21			
PJ-3040451-02	10	65	SM-8040360-TP	2	8	134-58500	11	8	700-01413	2	52
PJ-3040651-01	10	5	SM-8040360-TP	2	36	134-59300	11	4	700-01414	2	38
PJ-3080400-06	10	45	SM-8040360-TP	6	25				700-01451	4	34
PS-0300122-KH	4	27	SM-8040360-TP	6	29	229-01805	10	24	700-01457	2	54
PV-0351610-00	10	3	SM-8040412-TP	2	32	236-30007	2	58	700-01458	4	20
PV-1501032-00	10	7	SM-8041012-TP	2	13	260-19000	6	6	700-01479	10	32
PX-0551040-00	10	4	SM-8050412-TP	4	21				700-01484	2	62
PX-5000140-00	10	8	SM-8050412-TP	4	30	400-17824	4	6	700-01563	11	30
			SM-8050512-TP	11	18	400-18052	13	1	700-01612	6	3
RE-0300000-K0	6	30	SM-8050612-TP	4	3	400-18079	10	61	700-01613	6	17
RE-0300000-K0	12	14	SM-8050612-TP	4	5	400-21746	10	35	700-01614	6	18
RO-0371801-00	2	9	SM-8060552-TP	4	8	400-26691	13	17	700-01615	6	15
			SM-8060552-TP	4	18	400-27211	10	50	700-01616	6	16
SB-1150023-00	4	9	SM-8060812-TP	4	31	400-27213	10	51	700-01617	6	14
SD-0550906-TP	4	13	SM-8060842-TP	4	19	400-29004	11	9	700-01618	6	20
SD-0700706-TP	10	34	SM-8060842-TP	4	32	400-31388	12	2	700-01620	6	7
SK-3452001-SE	13	5	SM-8061212-TP	4	46	400-31390	12	3	700-01621	6	21
SL-4051091-SC	13	20	SM-8550952-TP	4	39	400-31391	12	4	700-01642	2	59
SL-6042092-TN	2	55	SM-9040800-SP	12	19	400-31392	12	5	700-01643	2	60
SL-6051492-TN	13	19				400-31394	12	6	700-01648	2	31
SL-6052592-TN	4	37	TA-0980502-R0	8	35	400-31396	12	7	700-01650	2	29
SM-1020450-TP	8	24				400-31397	12	8	700-01652	2	43
SM-1040800-SP	2	34	WP-0420516-KH	8	10	400-31399	12	9	700-01653	2	3
SM-1040860-SP	2	23	WP-0430800-SC	10	20	400-31402	12	10	700-01655	2	2
SM-4030455-SP	12	15	WP-0430800-SC	11	14	400-31642	12	1	700-01657	2	1
SM-4030655-SP	2	57	WP-0430800-SC	11	25	400-32661	12	11	700-01661	2	10
SM-4031001-SN	10	31	WP-0431005-SP	8	13	400-34194	12	23	700-01662	8	36
SM-4040501-SN	10	53	WP-0450801-SC	2	47	400-42363	6	8	700-01663	2	20

NUMERICAL INDEX OF PARTS

PART NO	PAGE	REF NO	PART NO	PAGE	REF NO	PART NO	PAGE	REF NO	PART NO	PAGE	REF NO
700-01673	2	50									
700-01678	2	44									
700-01681	4	42									
700-01682	4	22									
700-01683	4	24									
700-01684	4	11									
700-01685	4	12									
700-01686	4	15									
700-01692	4	10									
700-01776	10	18									
700-01777	10	28									
700-01778	10	19									
700-01780	11	12									
700-01781	11	7									
700-01782	11	19									
700-01783	11	22									
700-01784	11	23									
700-01785	13	6									
700-01788	11	1									
700-01790	11	24									
700-01791	11	11									
700-01799	8	38									
700-01800	8	17									
700-01801	8	37									
700-01802	8	1									
700-01843	13	16									
700-02246	11	2									
700-03278	4	16									
700-03317	4	40									
700-03355	2	24									
700-03362	8	18									
700-03424	8	2									
700-04184	4	33									