

PARTS LIST

MF-7500-E11 PARTS LIST

下記 URL (PARTS Website/PC サイト) より、便利な検索機能のついた Web Parts Book をご利用頂けます。
ご利用には会員登録が必要です。(無料)

<https://juki.aftama.com/JUKI/JA>

You can use a Web Parts Book with a convenient search function from the URLs (PARTS Website/PC-site)
below. To use the PARTS Website, free membership registration is required.

<https://juki.aftama.com/JUKI/EN>

HOW TO MAKE USE OF THIS PARTS LIST

1.Explanation of codes

1)"*" mark.....means this part is changed from the previous parts book.

As to the details of the change, refer to the "List for information of change".

2)"#01".....refer to "Note" explanation at bottom of page.

2.Codes on the "Qty" column

- Each numeral indicates the number of parts required.
- "0.1" and "2.5" indicate the length (in meters) of the respective parts.

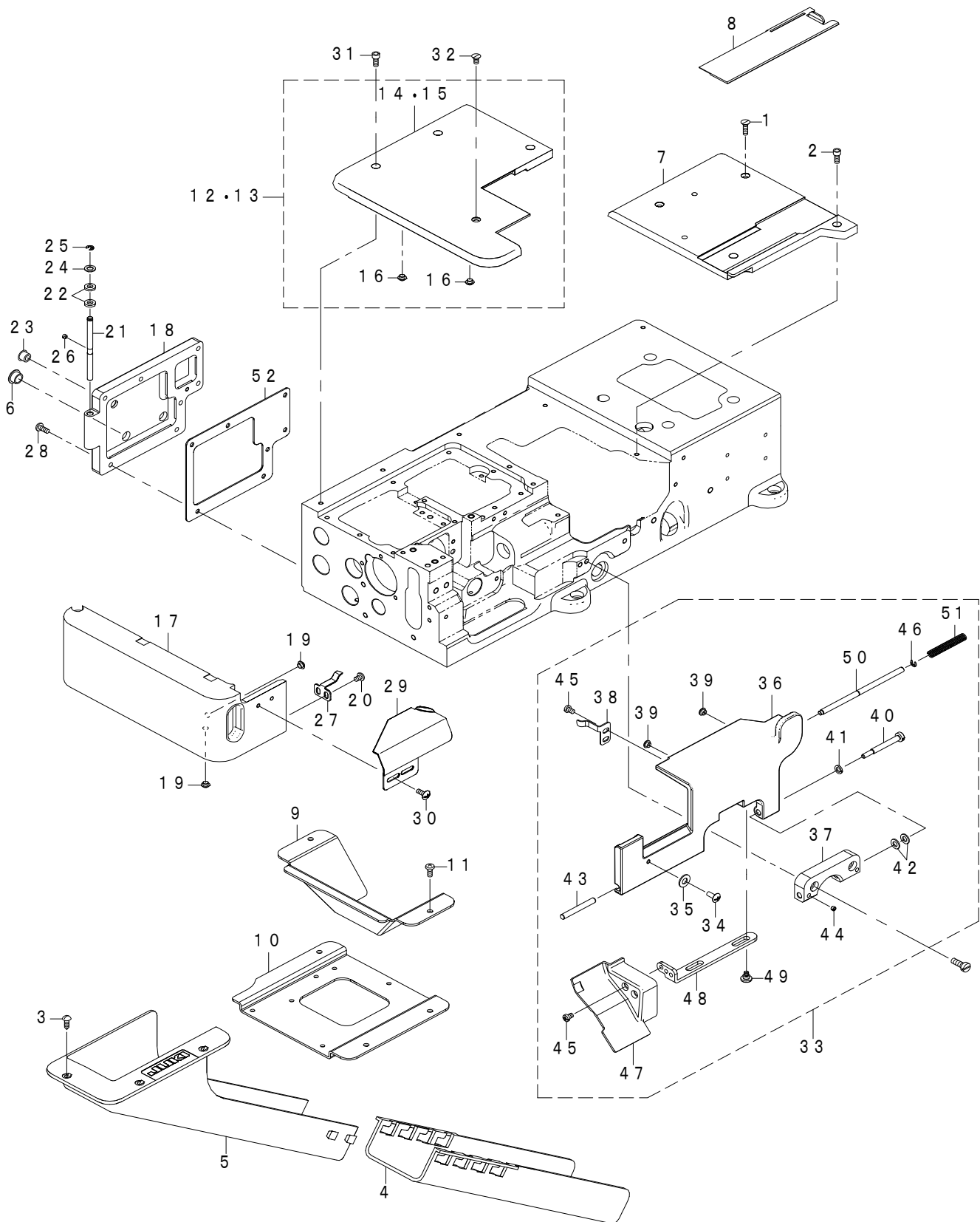
3.Parentheses mean that the corresponding part is a subpart that constructs an assembly part.

4.Dotted lines on the Figures indicate assembly parts.

CONTENTS

1. MISCELLANEOUS COVER COMPONENTS	1
2. GAUGE PARTS COMPONENTS.....	3
3. FABRIC TRIMMER RIGHT COMPONENTS	5
4. LIST FOR INFORMATION OF CHANGE.....	7
NUMERICAL INDEX OF PARTS.....	8

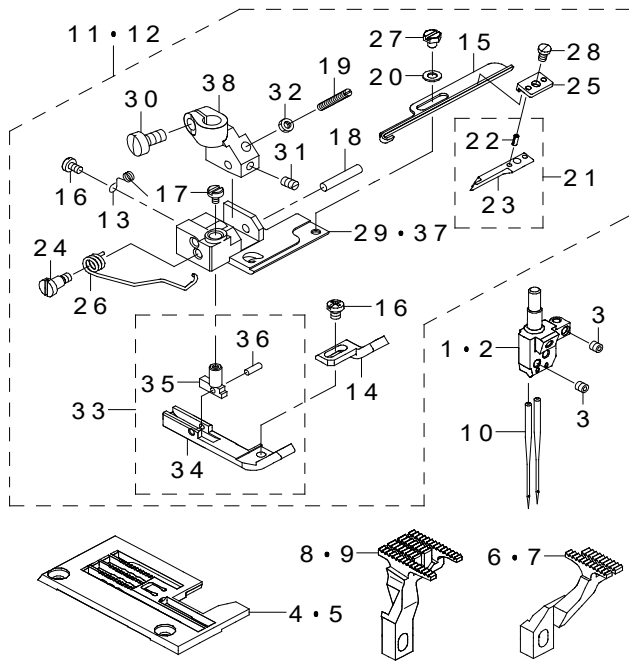
1. MISCELLANEOUS COVER COMPONENTS



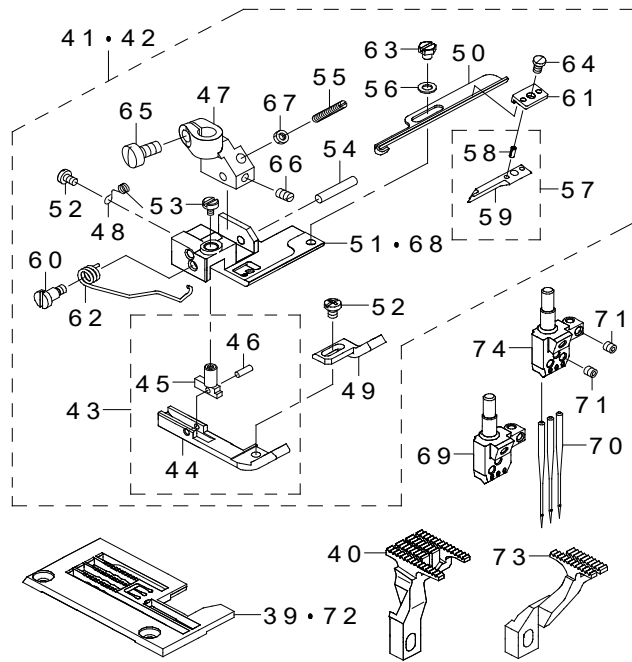
REF.NO	NOTE	PART NO	DESCRIPTION	Qty
1		SM-1041400-SP	SCREW	2
2		SM-6041002-TP	SCREW M4X0.7 L=10	2
3		SK-3412001-SE	WOOD SCREW D=4.1 L=20	5
4		123-41806	CLOTH WASTE CHUTE	1
5		400-17248	DUST SHOOT UP	1
6		TA-1050504-R0	RUBBER PLUG	2
7		133-03706	CLOTH PLATE RIGHT	1
8		133-03805	SLIDE COVER	1
9		400-71739	DUST_CHUTE	1
10		400-71738	DUST_CHUTE_BRACKET	1
11		SM-5041055-SN	SCREW M4X10	3
12	#01	700-03502	ASSY_CLOTH_PLATE_LEFT_E11	1
13	#02	700-03997	ASSY_CLOTH_PLATE_LEFT_TC	1
14	#01	700-03503	CLOTH_PLATE_LEFT_E11	(1)
15	#02	700-03999	CLOTH_PLATE_LEFT_TC	(1)
16		133-02302	RUBBER BUMPER	(2)
17		700-03500	SIDE_COVER	1
18		700-01659	FEED_CHAMBER_COVER	1
19		133-02302	RUBBER BUMPER	2
20		SM-4040655-SP	SCREW M4 L=6	2
21		133-05107	PIN_FOR_SIDE_COVER	1
22		133-02708	RUBBER WASHER	2
23		TA-0850604-R0	RUBBER PLUG	1
24		WP-0550800-SP	WASHER 5.5X10X0.8	1
25		RE-0300000-K0	E-RING 3	1
26		SM-8040360-TP	SCREW	1
27		133-04308	LATCH SPRING	1
28		SM-4041055-SP	SCREW	7
29		400-40542	GUIDE_CIRCLE	1
30		SM-0041055-SP	SCREW	2
31		SM-6041002-TP	SCREW M4X0.7 L=10	3
32		SM-1040800-SP	SCREW	1
33		700-03495	ASSY_SWING_DOWN_COVER_E11	1
34		SM-0041055-SP	SCREW	(1)
35		WP-0621016-SD	WASHER 6.2X13X1	(1)
36		700-03496	SWING_DOWN_COVER_E11	(1)
37	*	700-04972	HINGE	(1)
38		400-08947	LATCH_SPRING	(1)
39		133-02302	RUBBER BUMPER	(2)
40		700-01414	SCREW	(1)
41		WS-0510002-KP	SPRING WASHER 5.1X9.2X1.3	(1)
42		WP-0531000-SC	WASHER 5.3X10X1	(2)
43		PH-0500400-C0	PARALLEL PIN	(1)
44		SM-8040412-TP	SET SCREW M4 L=4	(2)
45		SM-4040655-SP	SCREW M4 L=6	(4)
46		RE-0300000-K0	E-RING 3	(1)
47		700-03498	SLIP_COVER	(1)
48		400-08939	PLATE_A	(1)
49		SD-0600326-TP	SHOULDER SCREW	(2)
50		400-08940	SLIDE_SHAFT	(1)
51		131-01209	LOOPER COVER SPRING	(1)
52	*	133-04001	GASKET F	1
		NOTE	#01....WITH NO TC16 #02....WITH TC16	

2. GAUGE PARTS COMPONENTS

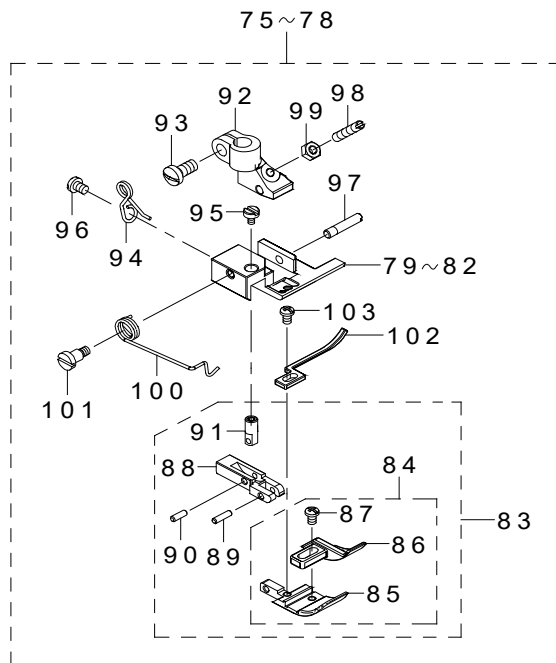
MF-7522-E11-B32
MF-7522-E11-B40



MF-7523-E11-B56
MF-7523-E11-B64

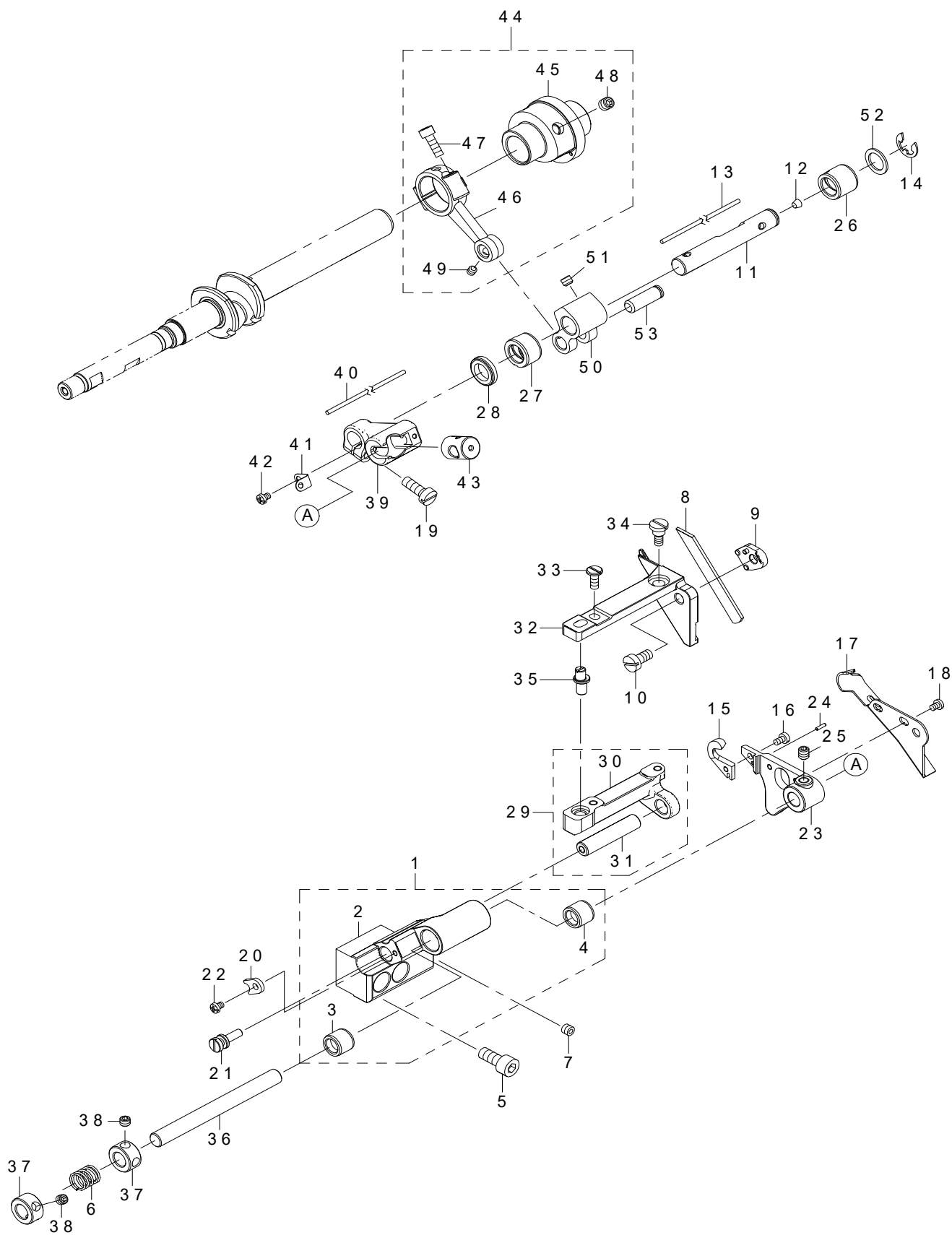


OPTION GAUGE PARTS



REF.NO	NOTE	PART NO	DESCRIPTION	Qty
1	#02	133-50103	NEEDLE_HEAD_40	1
2	#01	133-50004	NEEDLE_HEAD_32	1
3		SM-8030312-TP	SCREW M3 L=3	3
4	#01	400-58580	THROAT_PLATE	1
5	#02	133-56001	THROAT_PLATE	1
6	#01	400-58582	DIFF_FEED_DOG	1
7	#02	133-58106	DIFF_FEED_DOG	1
8	#01	400-79714	MAIN_FEED_DOG	1
9	#02	400-79715	MAIN_FEED_DOG	1
10		MUY-128S1000	NEEDLE	2
11	#01	400-58591	PRESSER_FOOT_32_ASSY	1
12	#02	400-18288	PRESSER_FOOT_40_ASSY	1
13		133-76603	YIELDING_SECTION_SPRING	(1)
14		133-77601	KNIFE_GUIDE	(1)
15		133-77908	TAPE_GUIDE_LEFT	(1)
16		SM-4030455-SP	SCREW	(2)
17		133-76702	THREAD_SPRING_SCREW	(1)
18		PH-0300162-C0	PARALLEL_PIN_3X16	(1)
19		133-76801	SCREW_FOR_PRESSER_FOOT	(1)
20		WP-0320500-SC	WASHER_M3	(1)
21		400-27528	TAPE_GUIDE_RIGHT_ASSY	(1)
22		PS-0150042-K0	SPRING_PIN_1.5X_4	(2)
23		400-27527	TAPE_GUIDE_RIGHT	(1)
24		133-77809	GUIDE_SCREW	(1)
25		133-78203	PLATE_TAPE_GUIDE	(1)
26		133-77700	YIELDING_SECTION_SPRING	(1)
27		133-78005	SCREW	(1)
28		SM-6850400-SP	SCREW_M2.5_L=4	(1)
29		400-58590	PRESSER_FOOT_BOTTOM_32	(1)
30	#01	SM-7040800-SL	SCREW	(1)
31		SM-8030500-SP	SCREW	(1)
32		NM-6030001-SD	NUT_M3X0.5	(1)
33		133-77551	YIELDING_SECTION_ASSY	(1)
34		133-77502	YIELDING_SECTION	(1)
35		133-77205	YIELDING_SECTION_SHANK	(1)
36		133-77304	PIVOT_PIN	(1)
37	#02	133-76108	PRESSER_FOOT_BOTTOM_40	(1)
38		133-76504	PRESSER_FOOT_SHANK	(1)
39	#03	133-58209	THROAT_PLATE	1
40		400-79716	MAIN_FEED_DOG	1
41	#03	400-99964	PRESSER_FOOT_56_ASSY	1
42	#04	400-18289	PRESSER_FOOT_56_ASSY	1
43		133-77551	YIELDING_SECTION_ASSY	(1)
44		133-77502	YIELDING_SECTION	(1)
45		133-77205	YIELDING_SECTION_SHANK	(1)
46		133-77304	PIVOT_PIN	(1)
47		133-76504	PRESSER_FOOT_SHANK	(1)
48		133-76603	YIELDING_SECTION_SPRING	(1)
49		133-77601	KNIFE_GUIDE	(1)
50		133-77908	TAPE_GUIDE_LEFT	(1)
51	#03	400-99965	PRESSER_FOOT_BOTTOM_56	(1)
52		SM-4030455-SP	SCREW	(2)
53		133-76702	THREAD_SPRING_SCREW	(1)
54		PH-0300162-C0	PARALLEL_PIN_3X16	(1)
55		133-76801	SCREW_FOR_PRESSER_FOOT	(1)
56		WP-0320500-SC	WASHER_M3	(1)
57		400-27528	TAPE_GUIDE_RIGHT_ASSY	(1)
58		PS-0150042-K0	SPRING_PIN_1.5X_4	(2)
59		400-27527	TAPE_GUIDE_RIGHT	(1)
60		133-77809	GUIDE_SCREW	(1)
61		133-78203	PLATE_TAPE_GUIDE	(1)
62		133-77700	YIELDING_SECTION_SPRING	(1)
63		133-78005	SCREW	(1)
64		SM-6850400-SP	SCREW_M2.5_L=4	(1)
65		SM-7040800-SL	SCREW	(1)
66		SM-8030500-SP	SCREW	(1)
67		NM-6030001-SD	NUT_M3X0.5	(1)
68	#04	133-76207	PRESSER_FOOT_BOTTOM_56	(1)
69	#04	133-50400	NEEDLE_HEAD_64	(1)
70		MUY-128S1000	NEEDLE	3
71		SM-8030312-TP	SCREW_M3_L=3	4
72	#04	133-56308	THROAT_PLATE	1
73		133-58205	DIFF_FEED_DOG	1
74	#03	133-50301	NEEDLE_HEAD_56	1
75	#01	700-03617	PRESSER_FOOT_32_ASSY	1
76	#02	700-03619	PRESSER_FOOT_40_ASSY	1
77	#03	700-03602	PRESSER_FOOT_56_ASSY	1
78	#04	700-03621	PRESSER_FOOT_64_ASSY	1
79	#01	700-03618	PRESSER_FOOT_BOTTOM_32	(1)
80	#02	700-03620	PRESSER_FOOT_BOTTOM_40	(1)
81	#03	700-03603	PRESSER_FOOT_BOTTOM_56	(1)
82	#04	700-03622	PRESSER_FOOT_BOTTOM_64	(1)
83		700-03616	YIELDING_SECTION_ASSY	(1)
84		700-03615	KNIFE_GUIDE_ASSY	(1)
85		700-03604	YIELDING_SECTION_FRONT	(1)
86		700-03609	KNIFE_GUIDE	(1)
87		SM-4850455-SN	SCREW_M2.5_L=4	(1)
88		700-03605	YIELDING_SECTION	(1)
89		700-03607	PIVOT_PIN	(1)
90		133-77304	PIVOT_PIN	(1)
91		700-03606	YIELDING_SECTION_SHANK	(1)
92		700-03613	PRESSER_FOOT_SHANK	(1)
93		SM-7040800-SL	SCREW	(1)
94		700-03612	YIELDING_SECTION_SPRING	(1)
95		133-76702	THREAD_SPRING_SCREW	(1)
96		SM-4030455-SP	SCREW	(1)
97		700-03614	PARALLEL_PIN	(1)
98		133-76801	SCREW_FOR_PRESSER_FOOT	(1)
99		NM-6030001-SD	NUT_M3X0.5	(1)
100		700-03611	YIELDING_SECTION_SPRING	(1)
101		133-77809	GUIDE_SCREW	(1)
102		700-03610	TAPE_GUIDE_LEFT	(1)
103		SM-4850455-SN	SCREW_M2.5_L=4	(1)
NOTE			#01...FOR MF-7522-E10-B32	
			#02...FOR MF-7522-E10-B40	
			#03...FOR MF-7523-E10-B56	
			#04...FOR MF-7523-E10-B64	

3. FABRIC TRIMMER RIGHT COMPONENTS



REF.NO	NOTE	PART NO	DESCRIPTION	Qty
1		700-03517	TRIMMER_BASE_ASSY	1
2		700-03518	TRIMMER_BASE	(1)
3		400-40613	BUSHING_FABRIC_TRIM_RIGHT	(1)
4		700-04171	BUSHING_FABRIC_TRIM_RIGHT	(1)
5		SM-6061402-TP	SCREW M6 L=14	2
6		400-40306	UPPER_KNIFE_SPRING	1
7		SM-8050412-TP	SCREW M5 L=4	1
8		400-38091	LOWER_KNIFE	1
9		400-40547	LOWER_KNIFE_PRESSER_PLATE	1
10		SM-6051000-SP	SCREW	1
11		700-03506	MOVING_KNIFE_DRIVE_SHAFT	1
12		TA-0400301-M0	PLUG D=4X4.5 L=3	1
13		CQ-2020000-00	COTTON OIL WICK D=2	0.11
14		RE-0700000-K0	E-RING 7	1
15		700-03483	MOVING_KNIFE	1
16		SM-6030500-SN	SCREW M3 L=5	1
17		700-03510	FABRIC_CHIP_GUARD	1
18		SM-4030455-SP	SCREW	2
19		SM-6051400-SP	SCREW	1
20		400-40535	ADJUST_PLATE	1
21		400-40536	ADJUST_SCREW	1
22		SM-4030455-SP	SCREW	1
23		700-03511	MOVING_KNIFE_BASE	1
24		PH-0150065-C0	PIN	1
25		SM-8050612-TP	SCREW M5X6	1
26		133-34909	BUSHING_NDL_GUARD_A	1
27		133-35005	BUSHING_NDL_GUARD_B	1
28		133-35203	OIL_SEAL	1
29		700-03514	FIXED_KNIFE_BASE_ASSY	1
30		700-03515	FIXED_KNIFE_BASE	(1)
31		700-03516	FIXED_KNIFE_BASE_SHAFT	(1)
32		700-03513	LOWER_KNIFE_BASE	1
33		SM-6041050-TP	SCREW	1
34		SD-0600406-TP	SHOULDER_SCREW	1
35		700-03512	ADJUST_PIN	1
36		700-03509	MOVING_KNIFE_SHAFT	1
37		CS-0800881-TP	THRUST_COLLAR	2
38		SM-8050412-TP	SCREW M5 L=4	2
39		700-03508	MOVING_KNIFE_DRIVE_LINK	1
40		CQ-2000000-01	OIL_WICK	0.1
41		700-03484	OIL_WICK_PLATE	1
42		SM-4030455-SN	SCREW	1
43		700-03507	PIVOT_SHAFT	1
44		700-03494	MOVING_KNIFE_DRIVE_CAM_ASSY	1
45		700-03505	MOVING_KNIFE_DRIVE_CAM	(1)
46		133-34107	NDL_GUARD_CONN_ROD	(1)
47		SM-6041202-TP	SCREW M4X0.7 L=12	(2)
48		SM-8060612-TP	SCREW M6 L=6	(2)
49		SM-8040412-TP	SET_SCREW M4 L=4	(1)
50		133-34206	NDL_GUARD_DRIVE_LEVER	1
51		SM-8050412-TP	SCREW M5 L=4	2
52		WP-1021026-SH	WASHER	1
53		133-34305	PIN_NDL_GUARD	1

NUMERICAL INDEX OF PARTS

PART NO	PAGE	REF NO	PART NO	PAGE	REF NO	PART NO	PAGE	REF NO	PART NO	PAGE	REF NO
CQ-2000000-01	6	40	WP-0621016-SD	2	35	400-38091	6	8			
CQ-2020000-00	6	13	WP-1021026-SH	6	52	400-40306	6	6			
CS-0800881-TP	6	37	WS-0510002-KP	2	41	400-40535	6	20			
						400-40536	6	21			
MUY-128S1000	4	10	123-41806	2	4	400-40542	2	29			
MUY-128S1000	4	70	131-01209	2	51	400-40547	6	9			
			133-02302	2	16	400-40613	6	3			
NM-6030001-SD	4	32	133-02302	2	19	400-58580	4	4			
NM-6030001-SD	4	67	133-02302	2	39	400-58582	4	6			
NM-6030001-SD	4	99	133-02708	2	22	400-58590	4	29			
			133-03706	2	7	400-58591	4	11			
PH-0150065-C0	6	24	133-03805	2	8	400-71738	2	10			
PH-0300162-C0	4	18	133-04001	2	52	400-71739	2	9			
PH-0300162-C0	4	54	133-04308	2	27	400-79714	4	8			
PH-0500400-C0	2	43	133-05107	2	21	400-79715	4	9			
PS-0150042-K0	4	22	133-34107	6	46	400-79716	4	40			
PS-0150042-K0	4	58	133-34206	6	50	400-99964	4	41			
			133-34305	6	53	400-99965	4	51			
RE-0300000-K0	2	25	133-34909	6	26						
RE-0300000-K0	2	46	133-35005	6	27	700-01414	2	40			
RE-0700000-K0	6	14	133-35203	6	28	700-01659	2	18			
			133-50004	4	2	700-03483	6	15			
SD-0600326-TP	2	49	133-50103	4	1	700-03484	6	41			
SD-0600406-TP	6	34	133-50301	4	74	700-03494	6	44			
SK-3412001-SE	2	3	133-50400	4	69	700-03495	2	33			
SM-0041055-SP	2	30	133-56001	4	5	700-03496	2	36			
SM-0041055-SP	2	34	133-56209	4	39	700-03498	2	47			
SM-1040800-SP	2	32	133-56308	4	72	700-03500	2	17			
SM-1041400-SP	2	1	133-58106	4	7	700-03502	2	12			
SM-4030455-SN	6	42	133-58205	4	73	700-03503	2	14			
SM-4030455-SP	4	16	133-76108	4	37	700-03505	6	45			
SM-4030455-SP	4	52	133-76207	4	68	700-03506	6	11			
SM-4030455-SP	4	96	133-76504	4	38	700-03507	6	43			
SM-4030455-SP	6	18	133-76504	4	47	700-03508	6	39			
SM-4030455-SP	6	22	133-76603	4	13	700-03509	6	36			
SM-4040655-SP	2	20	133-76603	4	48	700-03510	6	17			
SM-4040655-SP	2	45	133-76702	4	17	700-03511	6	23			
SM-4041055-SP	2	28	133-76702	4	53	700-03512	6	35			
SM-4850455-SN	4	87	133-76702	4	95	700-03513	6	32			
SM-4850455-SN	4	103	133-76801	4	19	700-03514	6	29			
SM-5041055-SN	2	11	133-76801	4	55	700-03515	6	30			
SM-6030500-SN	6	16	133-76801	4	98	700-03516	6	31			
SM-6041002-TP	2	2	133-77205	4	35	700-03517	6	1			
SM-6041002-TP	2	31	133-77205	4	45	700-03518	6	2			
SM-6041050-TP	6	33	133-77304	4	36	700-03602	4	77			
SM-6041202-TP	6	47	133-77304	4	46	700-03603	4	81			
SM-6051000-SP	6	10	133-77304	4	90	700-03604	4	85			
SM-6051400-SP	6	19	133-77502	4	34	700-03605	4	88			
SM-6061402-TP	6	5	133-77502	4	44	700-03606	4	91			
SM-6850400-SP	4	28	133-77551	4	33	700-03607	4	89			
SM-6850400-SP	4	64	133-77551	4	43	700-03609	4	86			
SM-7040800-SL	4	30	133-77601	4	14	700-03610	4	102			
SM-7040800-SL	4	65	133-77601	4	49	700-03611	4	100			
SM-7040800-SL	4	93	133-77700	4	26	700-03612	4	94			
SM-8030312-TP	4	3	133-77700	4	62	700-03613	4	92			
SM-8030312-TP	4	71	133-77809	4	24	700-03614	4	97			
SM-8030500-SP	4	31	133-77809	4	60	700-03615	4	84			
SM-8030500-SP	4	66	133-77809	4	101	700-03616	4	83			
SM-8040360-TP	2	26	133-77908	4	15	700-03617	4	75			
SM-8040412-TP	2	44	133-77908	4	50	700-03618	4	79			
SM-8040412-TP	6	49	133-78005	4	27	700-03619	4	76			
SM-8050412-TP	6	7	133-78005	4	63	700-03620	4	80			
SM-8050412-TP	6	38	133-78203	4	25	700-03621	4	78			
SM-8050412-TP	6	51	133-78203	4	61	700-03622	4	82			
SM-8050612-TP	6	25				700-03997	2	13			
SM-8060612-TP	6	48	400-08939	2	48	700-03999	2	15			
			400-08940	2	50	700-04171	6	4			
TA-0400301-M0	6	12	400-08947	2	38	700-04972	2	37			
TA-0850604-R0	2	23	400-17248	2	5						
TA-1050504-R0	2	6	400-18288	4	12						
			400-18289	4	42						
WP-0320500-SC	4	20	400-27527	4	23						
WP-0320500-SC	4	56	400-27527	4	59						
WP-0531000-SC	2	42	400-27528	4	21						
WP-0550800-SP	2	24	400-27528	4	57						