

PARTS LIST

MF-7500-C11 PARTS LIST

下記 URL (PARTS Website/PC サイト) より、便利な検索機能のついた Web Parts Book をご利用頂けます。
ご利用には会員登録が必要です。(無料)

<https://juki.aftama.com/JUKI/JA>

You can use a Web Parts Book with a convenient search function from the URLs (PARTS Website/PC-site)
below. To use the PARTS Website, free membership registration is required.

<https://juki.aftama.com/JUKI/EN>

HOW TO MAKE USE OF THIS PARTS LIST

1.Explanation of codes

1)"*" mark.....means this part is changed from the previous parts book.

As to the details of the change, refer to the "List for information of change".

2)"#01".....refer to "Note" explanation at bottom of page.

2.Codes on the "Qty" column

- Each numeral indicates the number of parts required.
- "0.1" and "2.5" indicate the length (in meters) of the respective parts.

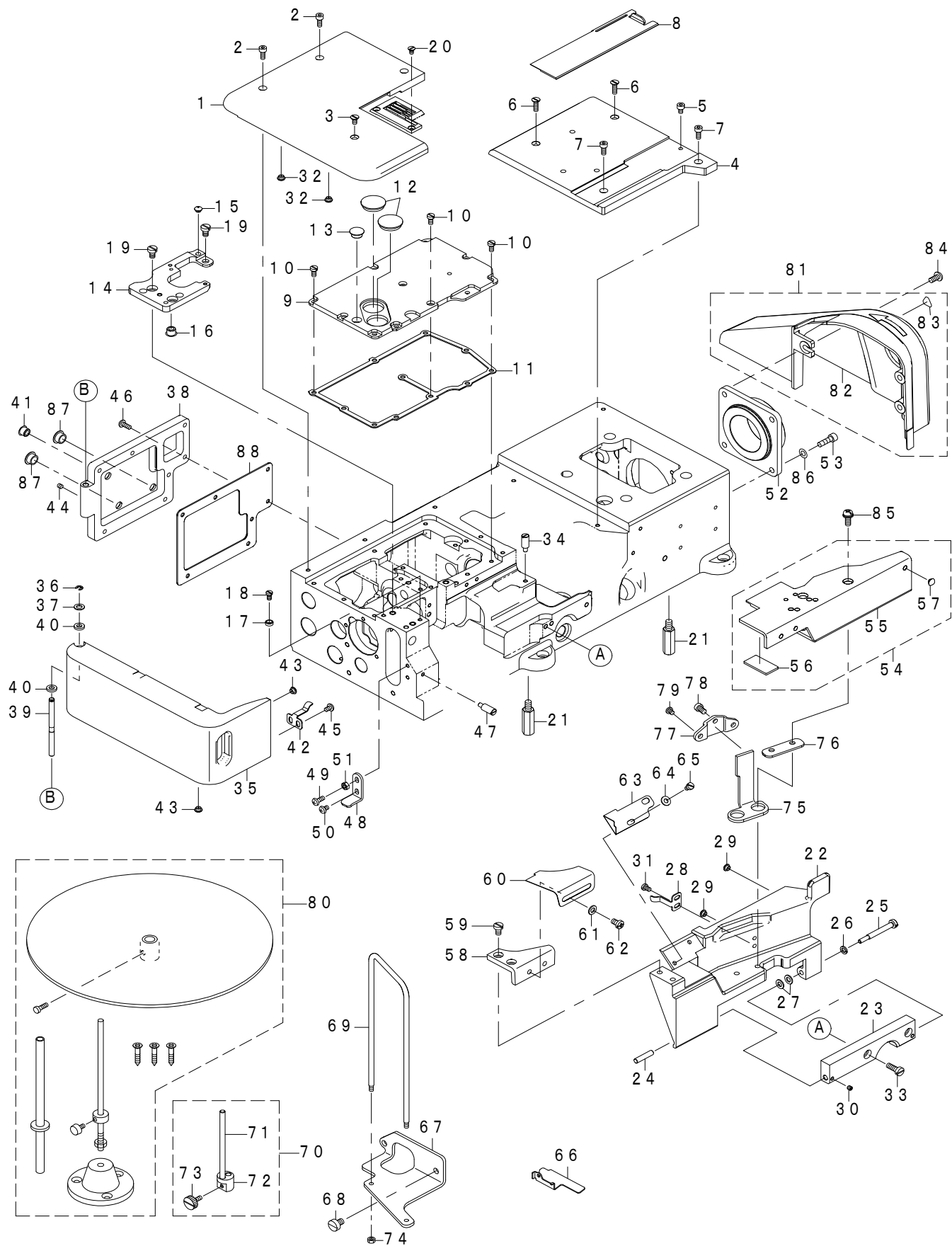
3.Parentheses mean that the corresponding part is a subpart that constructs an assembly part.

4.Dotted lines on the Figures indicate assembly parts.

CONTENTS

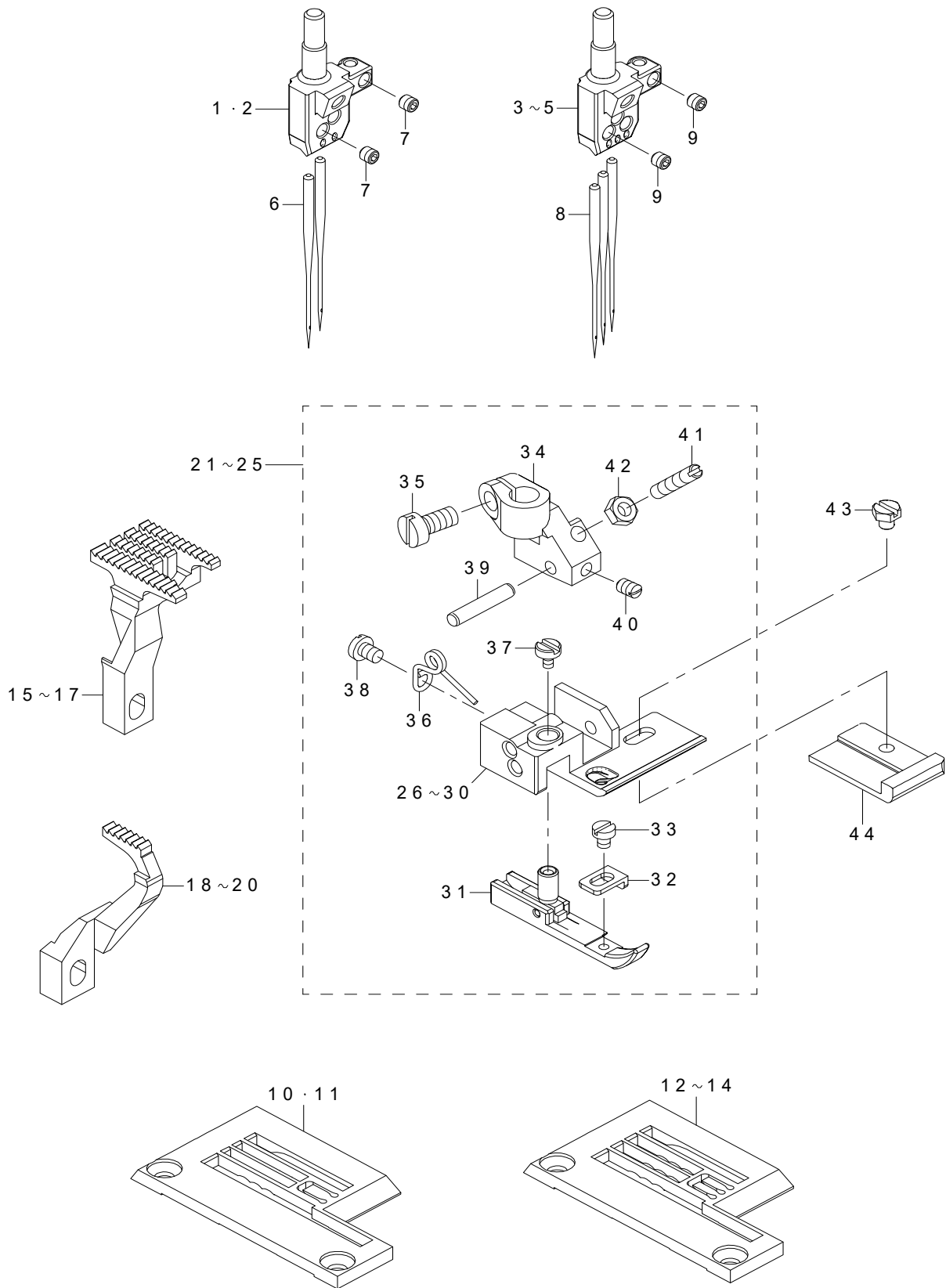
1. COVER COMPONENTS.....	1
2. GAUGE COMPONENTS.....	3
3. LIST FOR INFORMATION OF CHANGE.....	5
NUMERICAL INDEX OF PARTS.....	6

1. COVER COMPONENTS



REF.NO	NOTE	PART NO	DESCRIPTION	Qty
1		133-03607	CLOTH PLATE LEFT	1
2		SM-6041002-TP	SCREW M4X0.7 L=10	3
3		SM-1040800-SP	SCREW	1
4		133-03706	CLOTH PLATE RIGHT	1
5		SM-6040602-TP	SCREW M4X0.7 L=6	1
6		SM-1041400-SP	SCREW	2
7		SM-6041002-TP	SCREW M4X0.7 L=10	2
8		133-03805	SLIDE COVER	1
9		700-01415	BED_TOP_COVER	1
10		SM-6040800-SP	SCREW	11
11		700-01423	GASKET_B	1
12		TA-2050416-R0	RUBBER PLUG	2
13		TA-1050504-R0	RUBBER PLUG	1
14		700-01945	THROAT_PLATE_SUPPORT_C11	1
15		133-02302	RUBBER BUMPER	1
16		TA-0850604-R0	RUBBER PLUG	1
17		400-82196	ADJUSTING_COLLAR	2
18		SM-6040750-TP	SCREW M4 L=7	2
19		SM-6050800-SP	SCREW M5 L=8	3
20		133-02203	SCREW	2
21		133-01809	SUPPORT STUD	4
22		133-03300	SWING DOWN COVER	1
23		700-01898	HINGE	1
24		134-09800	DIFF_LINK_PIN	1
25		700-01414	SCREW	1
26		WS-0510002-KP	SPRING WASHER 5.1X9.2X1.3	1
27		WP-0531000-SC	WASHER 5.3X10X1	2
28		133-04308	LATCH SPRING	1
29		133-02302	RUBBER BUMPER	2
30		SM-8040412-TP	SET SCREW M4 L=4	2
31		SM-4040655-SP	SCREW M4 L=6	2
32		133-02302	RUBBER BUMPER	1
33		SM-6051400-SP	SCREW	2
34		133-02104	PIN	1
35		133-04100	SIDE COVER	1
36		RE-0300000-K0	E-RING 3	1
37		WP-0550800-SP	WASHER 5.5X10X0.8	1
38		700-01659	FEED_CHAMBER_COVER	1
39		133-05107	PIN_FOR_SIDE_COVER	1
40		133-02708	RUBBER_WASHER	2
41		TA-0850604-R0	RUBBER PLUG	1
42		133-04308	LATCH SPRING	1
43		133-02302	RUBBER BUMPER	2
44		SM-8040412-TP	SET SCREW M4 L=4	1
45		SM-4040655-SP	SCREW M4 L=6	2
46		SM-4041055-SP	SCREW	7
47		133-02104	PIN	1
48		133-04209	SUPPORT BRACKET	1
49		SM-4041055-SP	SCREW	1
50		SM-4040655-SP	SCREW M4 L=6	1
51		NM-6040000-SN	NUT M4	1
52		700-01436	HOUSING	1
53		SM-6051602-TP	SCREW M5X0.8 L=16	4
54	#01	133-03458	ASSY_BRACKET	1
55		133-03409	BRACKET	(1)
56		133-05305	RUBBER BOARD	(1)
57		133-02302	RUBBER BUMPER	(1)
58		133-66000	BRACKET	1
59		SM-6050800-SP	SCREW M5 L=8	2
60		133-66208	BINDER_PLATE	1
61		WP-0531001-SC	WASHER M5	2
62		SM-4050855-SP	SCREW	2
63		400-66085	FABRIC_GUIDE	1
64		WP-0450826-SC	WASHER 4.5X10X0.8	2
65		SM-6040610-SC	SCREW M4X0.7 L=6	2
66		400-19893	TC_TAPE_GUIDE	1
67		133-65002	BASE	1
68		SM-6060800-SP	SCREW M6 L=8	2
69		133-65101	GUIDE	1
70		133-65259	GUIDE_PIN_ASSY	2
71		133-65200	GUIDE_PIN	(1)
72		133-65309	PIN_BASE	(1)
73		133-65507	SCREW	(1)
74		NM-6040000-SN	NUT M4	2
75		133-04407	TAPE_BINDER_BRACKET	1
76		133-66307	PLATE	1
77		133-65408	FOLDER_CLAMP	1
78		SM-6050800-SP	SCREW M5 L=8	1
79		SS-7110510-SP	SCREW 11/64-40 L=5	2
80		400-62154	TAPE_REEL_ASSEMBLY	1
81		700-01831	DRIVING_BELT_COVER_ASSY	1
82		700-01830	DRIVING_BELT_COVER	(1)
83		CM-3002000-01	FINGER INJURY CAUTION LABEL (16)	(1)
84		SM-4051055-SP	SCREW	3
85		SL-4051485-SC	SCREW	2
86		WP-0531000-SD	WASHER M5	4
87		TA-1050504-R0	RUBBER PLUG	2
88	*	133-04001	GASKET_F	1
		NOTE	#01 ...ACCESSORY PARTS	

2. GAUGE COMPONENTS



REF.NO	NOTE	PART NO	DESCRIPTION	Qty
1	#01	133-50004	NEEDLE HEAD 32	1
2	#02	133-50103	NEEDLE HEAD 40	1
3	#03	133-50202	NEEDLE HEAD 48	1
4	#04	133-50301	NEEDLE HEAD 56	1
5	#05	133-50400	NEEDLE HEAD 64	1
6	#06	MUY-128S1000	NEEDLE	2
7	#06	SM-8030312-TP	SCREW M3 L=3	3
8	#07	MUY-128S1000	NEEDLE	3
9	#07	SM-8030312-TP	SCREW M3 L=3	4
10	#01	400-58549	THROAT PLATE	1
11	#02	133-51408	THROAT PLATE	1
12	#03	400-57971	THROAT PLATE	1
13	#04	133-51606	THROAT PLATE	1
14	#05	133-51705	THROAT PLATE	1
15	#01	400-58555	MAIN FEED DOG	1
16	#08	133-53800	MAIN FEED DOG	1
17	#09	133-53909	MAIN FEED DOG	1
18	#01	400-58556	DIFF FEED DOG	1
19	#08	133-57702	DIFF FEED DOG	1
20	#09	133-57801	DIFF FEED DOG	1
21	#01	400-58579	PRESSER FOOT ASSEMBLY	1
22	#02	400-56504	PRESSER FOOT ASSEMBLY	1
23	#03	400-57973	PRESSER FOOT ASSEMBLY	1
24	#04	400-56410	PRESSER FOOT ASSEMBLY	1
25	#05	400-56411	PRESSER FOOT ASSEMBLY	1
26	#01	400-58578	PRESSER FOOT BOTTOM 32	(1)
27	#02	400-56505	PRESSER FOOT BOTTOM 40	(1)
28	#03	400-57972	PRESSER FOOT BOTTOM 48	(1)
29	#04	400-56405	PRESSER FOOT BOTTOM 56	(1)
30	#05	400-56406	PRESSER FOOT BOTTOM 64	(1)
31		400-56412	YIELDING SECTION ASSEMBLY	(1)
32		400-56404	PRESSER FOOT GUIDE	(1)
33		SM-6850300-SP	SCREW M2.5 L=3	(1)
34		133-76504	PRESSER FOOT SHANK	(1)
35		SM-6040800-SP	SCREW	(1)
36		133-76603	YIELDING SECTION SPRING	(1)
37		133-76702	THREAD SPRING SCREW	(1)
38		SM-4030455-SP	SCREW	(1)
39		PH-0300162-C0	PARALLEL PIN 3X16	(1)
40		SM-8030500-SP	SCREW	(1)
41		133-76801	SCREW FOR PRESSER FOOT	(1)
42		NM-6030001-SD	NUT M3X0.5	(1)
43	#10	133-78005	SCREW	1
44	#10	400-56407	TAPE GUIDE	1
		NOTE	#01....FOR B32	
			#02....FOR B40	
			#03....FOR B48	
			#04....FOR B56	
			#05....FOR B64	
			#06....FOR B32,B40	
			#07....FOR B48,B56,B64	
			#08....FOR B40,B48	
			#09....FOR B56,B64	
			#10....OPTIONAL PARTS	

NUMERICAL INDEX OF PARTS

PART NO	PAGE	REF NO	PART NO	PAGE	REF NO	PART NO	PAGE	REF NO	PART NO	PAGE	REF NO
CM-3002000-01	2	83	133-04100	2	35						
			133-04209	2	48						
MUY-128S1000	4	6	133-04308	2	28						
MUY-128S1000	4	8	133-04308	2	42						
			133-04407	2	75						
NM-6030001-SD	4	42	133-05107	2	39						
NM-6040000-SN	2	51	133-05305	2	56						
NM-6040000-SN	2	74	133-50004	4	1						
			133-50103	4	2						
PH-0300162-C0	4	39	133-50202	4	3						
			133-50301	4	4						
RE-0300000-K0	2	36	133-50400	4	5						
			133-51408	4	11						
SL-4051485-SC	2	85	133-51606	4	13						
SM-1040800-SP	2	3	133-51705	4	14						
SM-1041400-SP	2	6	133-53800	4	16						
SM-4030455-SP	4	38	133-53909	4	17						
SM-4040655-SP	2	31	133-57702	4	19						
SM-4040655-SP	2	45	133-57801	4	20						
SM-4040655-SP	2	50	133-65002	2	67						
SM-4041055-SP	2	46	133-65101	2	69						
SM-4041055-SP	2	49	133-65200	2	71						
SM-4050855-SP	2	62	133-65259	2	70						
SM-4051055-SP	2	84	133-65309	2	72						
SM-6040602-TP	2	5	133-65408	2	77						
SM-6040610-SC	2	65	133-65507	2	73						
SM-6040750-TP	2	18	133-66000	2	58						
SM-6040800-SP	2	10	133-66208	2	60						
SM-6040800-SP	4	35	133-66307	2	76						
SM-6041002-TP	2	2	133-76504	4	34						
SM-6041002-TP	2	7	133-76603	4	36						
SM-6050800-SP	2	19	133-76702	4	37						
SM-6050800-SP	2	59	133-76801	4	41						
SM-6050800-SP	2	78	133-78005	4	43						
SM-6051400-SP	2	33	134-09800	2	24						
SM-6051602-TP	2	53									
SM-6060800-SP	2	68	400-19893	2	66						
SM-6850300-SP	4	33	400-56404	4	32						
SM-8030312-TP	4	7	400-56405	4	29						
SM-8030312-TP	4	9	400-56406	4	30						
SM-8030500-SP	4	40	400-56407	4	44						
SM-8040412-TP	2	30	400-56410	4	24						
SM-8040412-TP	2	44	400-56411	4	25						
SS-7110510-SP	2	79	400-56412	4	31						
			400-56504	4	22						
TA-0850604-R0	2	16	400-56505	4	27						
TA-0850604-R0	2	41	400-57971	4	12						
TA-1050504-R0	2	13	400-57972	4	28						
TA-1050504-R0	2	87	400-57973	4	23						
TA-2050416-R0	2	12	400-58549	4	10						
			400-58555	4	15						
WP-0450826-SC	2	64	400-58556	4	18						
WP-0531000-SC	2	27	400-58578	4	26						
WP-0531000-SD	2	86	400-58579	4	21						
WP-0531001-SC	2	61	400-62154	2	80						
WP-0550800-SP	2	37	400-66085	2	63						
WS-0510002-KP	2	26	400-82196	2	17						
133-01809	2	21	700-01414	2	25						
133-02104	2	34	700-01415	2	9						
133-02104	2	47	700-01423	2	11						
133-02203	2	20	700-01436	2	52						
133-02302	2	15	700-01659	2	38						
133-02302	2	29	700-01830	2	82						
133-02302	2	32	700-01831	2	81						
133-02302	2	43	700-01898	2	23						
133-02302	2	57	700-01945	2	14						
133-02708	2	40									
133-03300	2	22									
133-03409	2	55									
133-03458	2	54									
133-03607	2	1									
133-03706	2	4									
133-03805	2	8									
133-04001	2	88									