

ENGLISH

**LZ-2290A / IP-110A / SC-915
INSTRUCTION MANUAL**

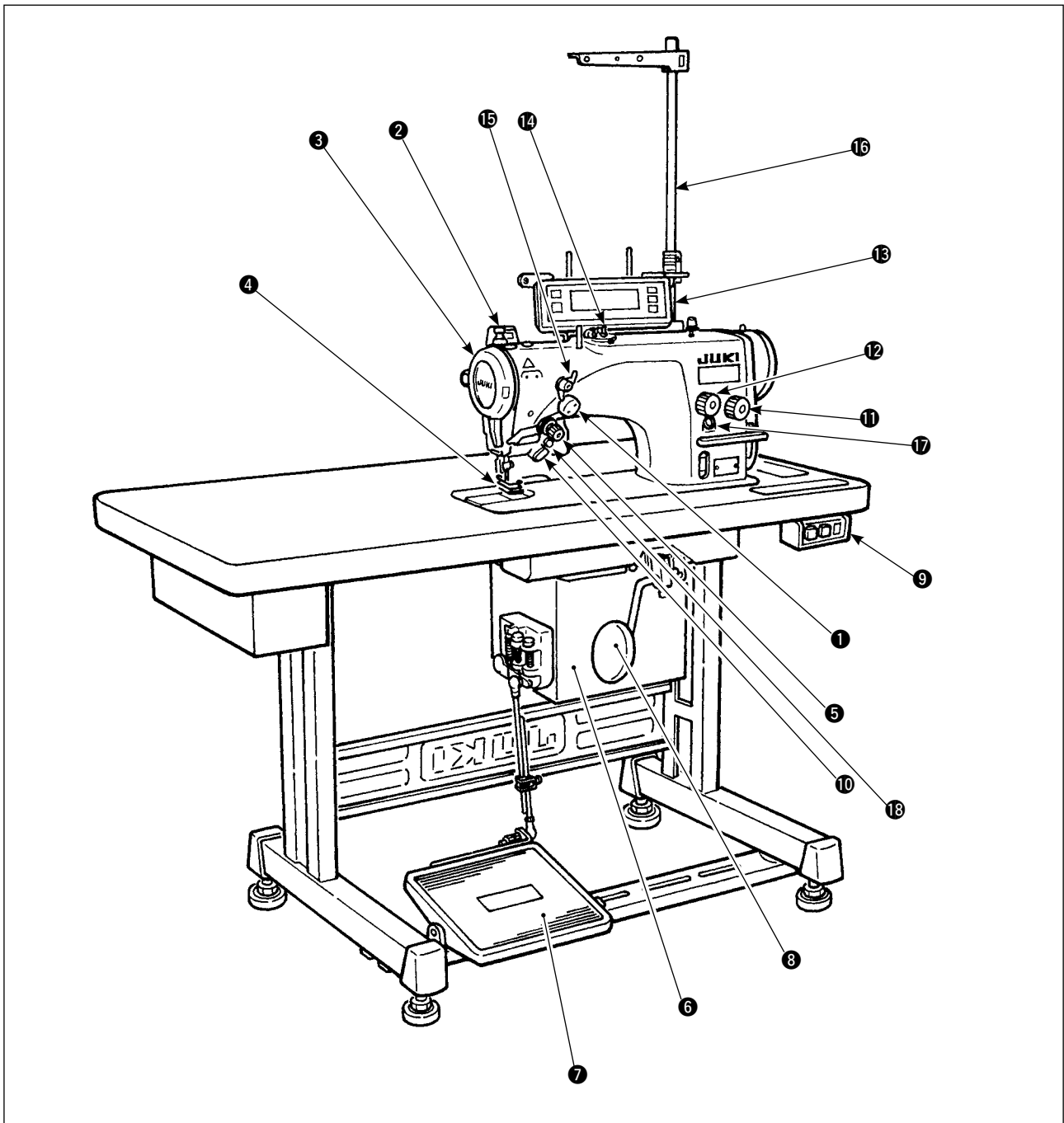
* "CompactFlash(TM)" is the registered trademark of SanDisk Corporation, U.S.A.

CONTENTS

1. NAME OF EACH COMPONENT	1	(1) Overlapped stitching	48
2. SPECIFICATIONS.....	2	(2) Programmed stitching	48
2-1. Specifications of the machine head	2	6-9. Custom pattern.....	50
2-2. Specifications of the electrical box	2	(1) Custom pattern setting.....	50
3. STITCH PATTERN TABLE	3	(2) New creation of the custom pattern	51
4. INSTALLATION.....	4	(3) Custom pattern edit.....	52
4-1. Installation of the sewing machine head	4	(4) Registration, copy and deletion of the custom pattern.....	52
4-2. Removing the needle bar stopper	5	6-10. Condensation Custom	54
4-3. Attaching the knee-lifter	5	(1) Condensation custom setting.....	54
4-4. Adjusting the height of the knee lifter	5	(2) Condensation custom edit	55
4-5. Installing the electrical box	6	6-11. Pattern stitching	56
4-6. Connecting the power switch cord (Japan and general export area).....	6	(1) Setting the pattern stitching	56
4-7. Installing the operation panel (IP-110).....	6	(2) Registering the pattern stitching	57
4-8. Connecting the cords	7	(3) Copy and deletion of the pattern stitching.....	58
(1) Preparation of wiring	7	6-12. Continuous stitching	59
(2) Connecting the connectors	8	(1) New creation of the continuous stitching	60
4-9. Attaching the connecting rod.....	11	(2) Continuous stitching edit.....	60
4-10. Adjustment of the pedal.....	11	(3) Copy and deletion of the continuous stitching....	62
4-11. Installing the thread stand.....	12	6-13. Cycle stitching	63
4-12. Installing the bird's nest prevention (CB) type sewing machine	12	(1) New creation of the cycle stitching.....	63
4-13. Lubrication (LZ-2290A-SS · A-SU (-7)).....	13	(2) Cycle stitching edit	63
4-14. Test run	14	(3) Copy and deletion of the cycle stitching.....	65
(1) Turn ON the power.....	14	(4) Teaching.....	66
(2) How to operate the pedal.....	14	(5) Performing the constant-dimension stitching using the cycle stitching.....	67
5. PREPARATION BEFORE SEWING	15	6-14. Counter.....	67
5-1. Inserting the needle	15	(1) Thread trimming counter.....	67
5-2. Removing the bobbin case.....	15	(2) Bobbin thread counter.....	67
5-3. Winding the bobbin thread.....	15	6-15. Information.....	68
5-4. Placing the bobbin case and the bobbin.....	16	(1) Sewing common data	69
5-5. Threading the machine head.....	17	(2) Sewing management information	71
5-6. Adjusting the stitch length	17	(3) Communication mode	74
5-7. Adjusting the condensation stitching	17	6-16. Setting for functions	78
6. HOW TO USE THE OPERATION PANEL....	18	(1) How to change over to the function setting mode.....	78
6-1. Names and functions of the respective sections.....	18	(2) Function setting list	81
6-2. Before setting the pattern.....	20	(3) Detailed explanation of selection of functions....	85
(1) Limitation of the max. zigzag width.....	20	6-17. External interface	91
(2) Setting the reference of stitch base line.....	22	(1) Media slot	91
6-3. Basic screen	23	(2) RS-232C port.....	91
6-4. List of the display pictographs of each screen.....	24	(3) General input port (Production control switch connecting connector)	91
6-5. Setting the sewing pattern	35	7. SEWING	92
(1) Selecting the zigzag pattern	35	7-1. Adjusting the thread tension.....	92
6-6. Setting of the sewing shape.....	37	7-2. Adjusting the pressure of the presser foot....	93
(1) 2-step zigzag, 3-step zigzag and 4-step zigzag stitch	37	7-3. One-touch type reverse feed stitching mechanism.....	93
(2) Scallop stitching	38	7-4. Hand switch	95
(3) Blind stitch sewing	40	8. STANDARD ADJUSTMENT	96
(4) Custom pattern stitching	41	8-1. Adjusting the amount of oil in the hook (LZ- 2290A-SS · A-SU (-7))	96
6-7. Reverse feed stitching	42	8-2. Adjusting the amount of lubricating to face plate section (LZ-2290A-SS·A-SU(-7))	96
(1) Standard condensation	43	8-3. Adjusting the height of the presser bar	97
(2) 2-point condensation.....	44	8-4. Adjusting the micro-lifting mechanism of the presser foot.....	97
(3) Condensation custom	46	8-5. Height and inclination of the feed dog	98
(4) Comparison table of the reverse stitch of each shape.....	47	8-6. Hook adjusting mode.....	99
6-8. Selection of the kind of stitching.....	48	8-7. Attaching / removing the hook.....	100
		8-8. Adjusting height of the needle bar	101

8-9. Adjusting the needle-to-hook timing and the needle guard	101	(5) Cleaning the cooling fan installed on the under cover	107
8-10. Adjusting the stop position of the needle....	102	(6) Cleaning the hook section.....	108
8-11. Adjusting the thread trimmer	102	(7) Cleaning the rear cover of the control box	108
8-12. Adjusting the needle thread feeding device (Thread trimmer type only).....	103	(8) Cleaning the operation panel screen	108
8-13. Adjusting the bird's nest prevention (CB) type wiper.....	104	(9) Replacing procedure of the hook shaft oil wick....	108
8-14. Replacing procedure of the bird's nest prevention (CB) type presser knife.....	105	10. AT A TIME LIKE THIS !.....	109
9. MAINTENANCE	106	11. ERROR DISPLAY.....	110
(1) Replacing the power fuse	106	11-1. Error code list (Error display in panel)....	111
(2) Adjusting the contrast of the operation panel display.....	106	12.TROUBLES AND CORRECTIVE MEASURES.....	114
(3) Draining (Bird's nest prevention (CB) type only)....	107		
(4) Cleaning the dust bag (Bird's nest prevention (CB) type only).....	107		

1. NAME OF EACH COMPONENT



- ① Needle thread draw-out device
(LZ-2290A(U)-7)
- ② Wiper switch (WB, CB type)
- ③ Thread take-up cover
- ④ Finger guard
- ⑤ Thread tension controller
(Rotary tension)
- ⑥ Electrical box
- ⑦ Pedal

- ⑧ Knee lifter lever
- ⑨ Power switch
- ⑩ Hand switch
- ⑪ Stitch length dial
- ⑫ Condensation dial
- ⑬ Control panel
- ⑭ Bobbin winder

- ⑮ Tension controller No. 1
(Pre-tension)
- ⑯ Thread stand
- ⑰ Oil supply opening
- ⑱ Mirror inversion switch

2. SPECIFICATIONS

2-1. Specifications of the machine head

Model (Minute-quantity lubricating type)	LZ-2290A-SS	LZ-2290A-SS-7	LZ-2290A-SU	LZ-2290A-SU-7
Application	Light-weight materials to medium-weight materials			
Max. sewing speed	5,000 sti/min (*1)		4,500 sti/min (*1)	
Max. zigzag width	10 mm (*2)			
Max. feed pitch	5 mm (stepless fine adjustment)		2.5 mm (stepless fine adjustment)	
Stitch pattern	8 kinds 14 patterns (custom pattern : up to 500 stitches, 20 kinds can be stored.)			
Needle	SCHMETZ 438, ORGAN DPX5 : #65 to #90			
Oil used	JUKI New Defrix Oil No. 1			
Thread trimmer	Without	With	Without	With
Feed method	Standard feed		Material slippage prevention	
Noise	- Equivalent continuous emission sound pressure level (L _{pA}) at the workstation : A-weighted value of 80.0 dB; (Includes K _{pA} = 2.5 dB); according to ISO 10821- C.6.2 -ISO 11204 GR2 at 4,500 sti/min.			

Model (Dry-head type)	LZ-2290A-DS	LZ-2290A-DS-7	LZ-2290A-DU	LZ-2290A-DU-7
Application	Light-weight materials to medium-weight materials			
Max. sewing speed	4,000 sti/min (*1)			
Max. zigzag width	10 mm (*2)			
Max. feed pitch	5 mm (stepless fine adjustment)		2.5 mm (stepless fine adjustment)	
Stitch pattern	8 kinds 14 patterns (custom pattern : up to 500 stitches, 20 kinds can be stored.)			
Needle	SCHMETZ 438, ORGAN DPX5 : #65 to #90			
Thread trimmer	Without	With	Without	With
Feed method	Standard feed		Material slippage prevention	
Noise	- Equivalent continuous emission sound pressure level (L _{pA}) at the workstation : A-weighted value of 80.0 dB; (Includes K _{pA} = 2.5 dB); according to ISO 10821- C.6.2 -ISO 11204 GR2 at 4,500 sti/min.			

- * 1. The max. sewing speed is limited by the amount of zigzag width per stitch.
Up to 4 mm : 5,000 sti/min (LZ-2290A-SU : 4,500 sti/min, LZ-2290A-DS · A-DU (-7) : 4,000 sti/min),
up to 5 mm : 4,000 sti/min, up to 6 mm : 3,500 sti/min, up to 8 mm : 3,000 sti/min
· Properly set the number of revolution in accordance with the product to be sewn and process.
- * 2. Max. zigzag width is limited to 8 mm at the time of standard delivery.

2-2. Specifications of the electrical box

■ For general export

Supply voltage	Single phase 200V / 220V / 240V	3-phase 200V / 220V / 240V
Frequency	50 Hz / 60 Hz	
Rated currency	4.6A / 4.3A / 4.0A	3.0A / 2.7A / 2.3A
Operating environment	Temperature : 0 to 40°C Humidity : 90% or less	


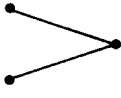
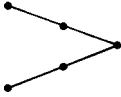
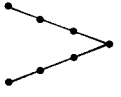








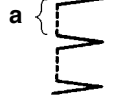
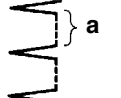
■ For CE

Supply voltage	Single phase 220V / 230V / 240V	
Frequency	50 Hz/60 Hz	
Rated currency	4.3A / 4.2A / 4.0A	
Operating environment	Temperature : 0 to 40°C Humidity : 90% or less	

■ For JUS

Supply voltage	Single phase 100V / 110V / 120V	3-phase 200V / 220V / 240V
Frequency	50 Hz / 60 Hz	
Rated currency	8.0A / 7.5A / 7.0A	3.0A / 2.7A / 2.3A
Operating environment	Temperature : 0 to 40°C Humidity : 90% or less	

3. STITCH PATTERN TABLE

Name of pattern		Stitch pattern	Number of stitches for pattern	Max.zigzag width	Remarks
Straight stitch			1	—	
2-step zigzag stitch			2	10	
3-step zigzag stitch			4	10	
4-step zigzag stitch			6	10	
Scallop (right)	Standard scallop		24	10	
	Crescent scallop				
	Equal-width scallop				
	Equal-width scallop		12		
Scallop (left)	Standard scallop		24	10	
	Crescent scallop				
	Equal-width scallop				
	Equal-width scallop		12		
Blind stitch (right)			2+a	10	
Blind stitch (left)					
Custom pattern		—	500	10	

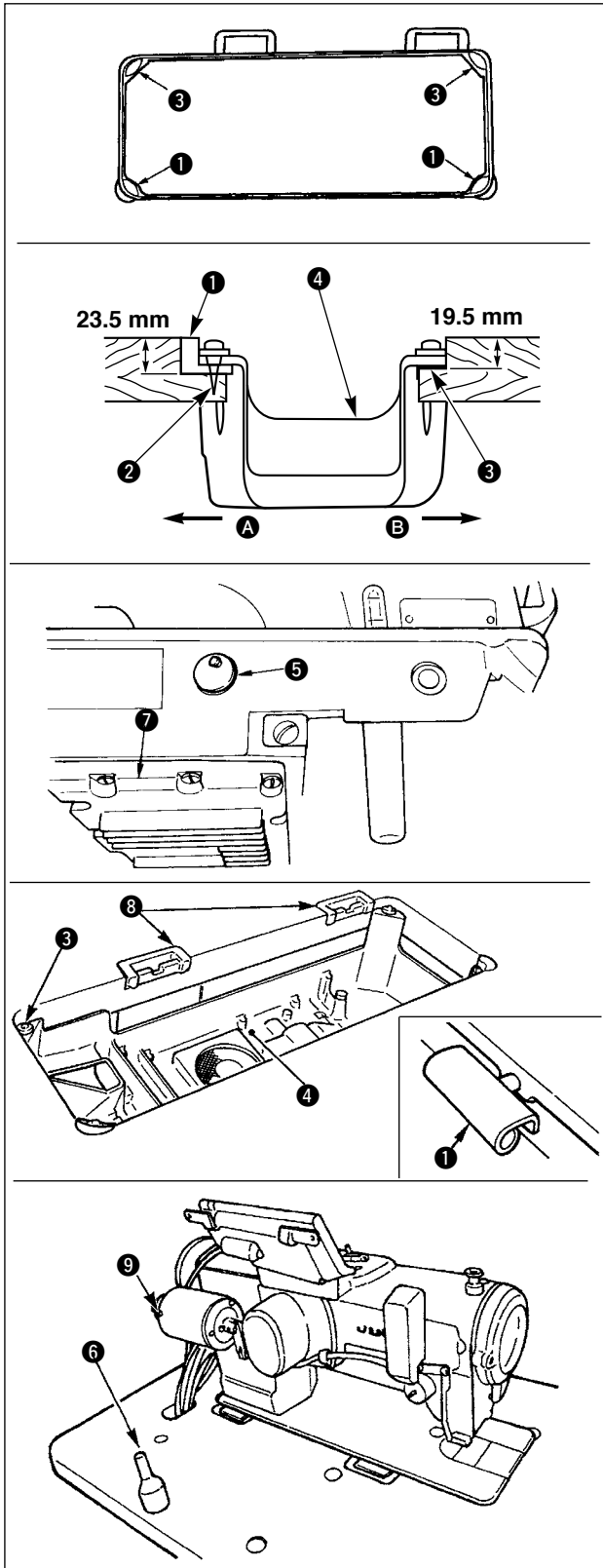
4. INSTALLATION

WARNING :



- Perform the installation of the sewing machine by the technical personnel who have been trained.
- To prevent personal injury, ask our dealer or the electrician for electric wiring.
- Be sure to perform the work with two persons or more when transporting the sewing machine and use a lorry when moving it.
- To prevent personal injury caused by abrupt start of the sewing machine, do not connect the power plug until the set-up of the sewing machine is completed.
- Be sure to earth the ground wire to prevent personal injury caused by leak.
- Be sure to attach safety protection cover, finger guard, etc.

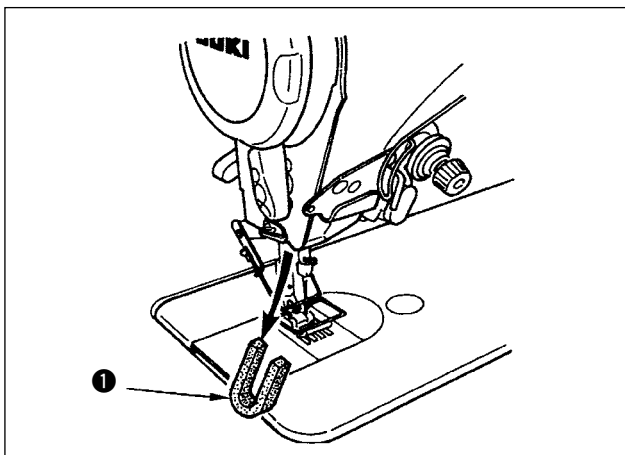
4-1. Installation of the sewing machine head



■ Installing the under cover

- 1) The under cover should rest on the four corners of the machine table groove.
 - 2) Fix two rubber seats **1** on side **A** (operator's side) using nails **2** as illustrated above. Fix two cushion seats **3** on side **B** (hinged side) using a rubber-based adhesive. Then place under cover **4** on the fixed seats.
 - 3) Remove air vent cap **5** attached to the machine bed. (Be sure to attach cap **5** when transporting the machine head in the state that the machine head is removed from the machine table.)
- Caution** If the sewing machine is operated without removing air vent cap **5**, oil leakage from gear box portion **7** may occur.
- 4) Fit hinge **1** into the opening in the machine bed, and fit the machine head to table rubber hinge **8** before placing the machine head on cushions **3** on the four corners.
 - 5) Attach head support rod **6** to the machine table. (However, this step is not necessary for the machine with AK **9** device.)

4-2. Removing the needle bar stopper

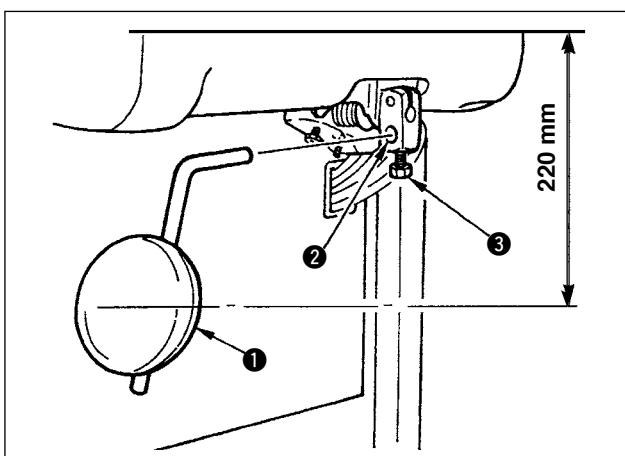


Remove needle bar stopper ① for transportation.



Keep the needle bar stopper which has been removed, and install this needle bar stopper when transporting the sewing machine. The needle bar stopper may be cut when it is strongly drawn out. Slightly move the needle bar to the right or left and slowly draw out the needle bar stopper.

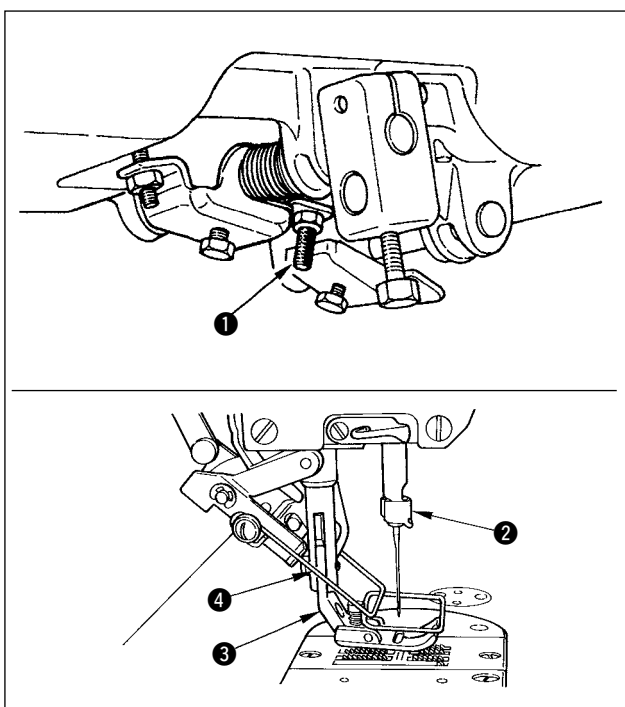
4-3. Attaching the knee-lifter



Insert knee lifter pad ① into attaching hole ② and tighten it with bolt ③.

* Adjust the position of knee lifter pad ① to a convenient place. For the reference dimension, the position is 220 mm from the bottom face of table.

4-4. Adjusting the height of the knee lifter

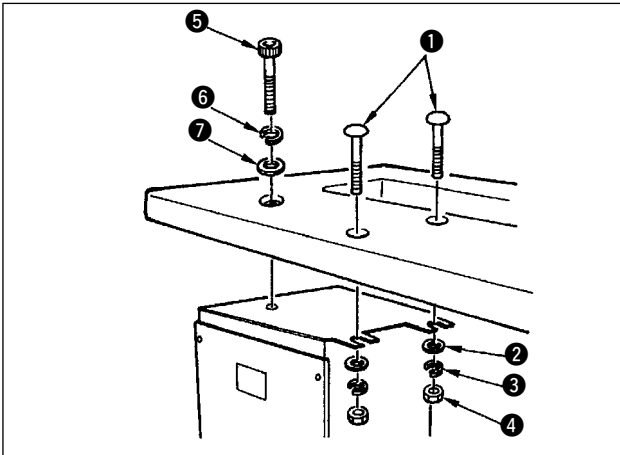


- 1) The standard height of the presser foot lifted using the knee lifter is 10 mm.
- 2) You can adjust the presser foot lift using knee lifter adjust screw ①.



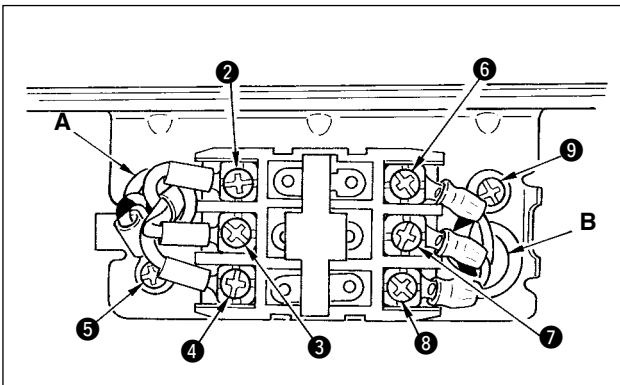
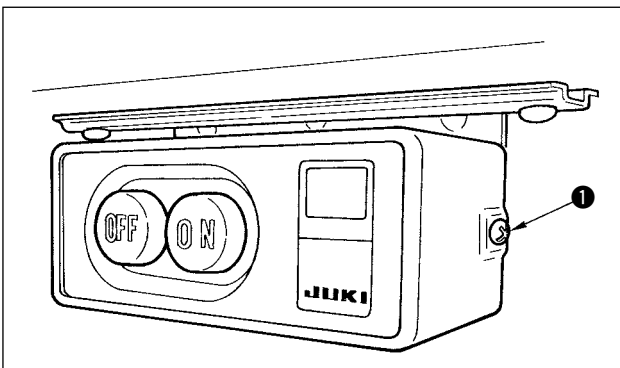
Do not operate the sewing machine in the state that presser foot ③ is lifted by 10 mm or more since needle bar ② and presser foot ③, or wiper ④ and presser foot ③ come in contact with each other.

4-5. Installing the electrical box



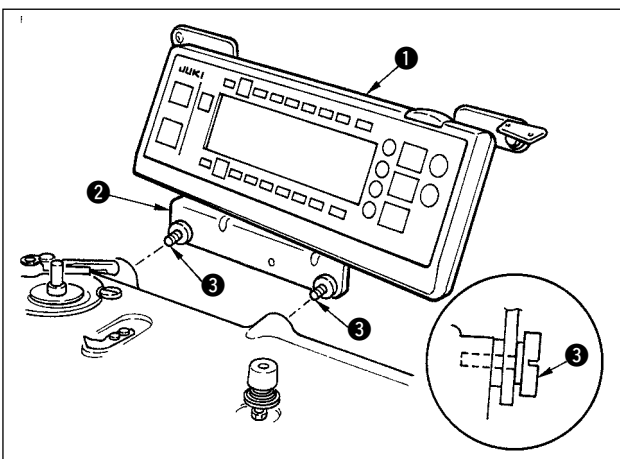
Install the electrical box on the under side of the table using round-head bolts ①, plain washers ②, spring washers ③ and nuts ④ supplied with the machine at the location illustrated, and using bolt having hexagonal indentation on the head ⑤, spring washer ⑥ and plain washer ⑦ supplied with the machine at the location illustrated.

4-6. Connecting the power switch cord (Japan and general export area)



- 1) Loosen screw ① located on the side of the power switch supplied as accessories and remove the power switch cover.
- 2) Connecting the input power cord of electrical box
 - **When the input power cord of electrical box is 4P**
Put 4P cord from hole A of the power switch and securely fix green/yellow cord to ⑤, white cord to ②, black cord to ③ and red cord to ④ with screws.
 - **When the input power cord of electrical box is 3P**
Put 3P cord from hole A of the power switch and securely fix green/yellow cord to ⑤, brown cord to ② and sky blue cord to ③ with screws.
- 3) Connecting the power cable supplied as accessories
 - **In case of 3-phase power cable**
Put power cable from hole B of the power switch, and securely fix green/yellow cord to ⑨, white cord to ⑥, black cord to ⑦ and red cord to ⑧ with screws.
 - **In case of single phase power cable**
Put power cable from hole B of the power switch, and securely fix green/yellow cord to ⑨ and other cords to ⑥ and ⑦ with screws. ⑧ is not used.
- 4) Installing the power switch cover
Securely tighten screw ① located on the side of the power switch.

4-7. Installing the operation panel (IP-110)



- 1) Install operation panel ① on the machine head using screws ③ which have been assembled to panel installing bracket ②.

Caution Do not disassemble the operation panel to prevent it from breakage.

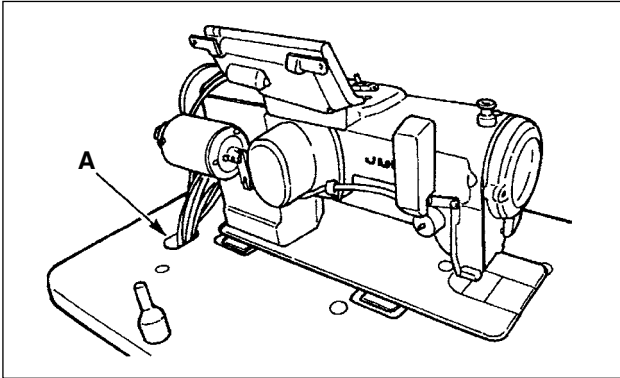
4-8. Connecting the cords

WARNING :

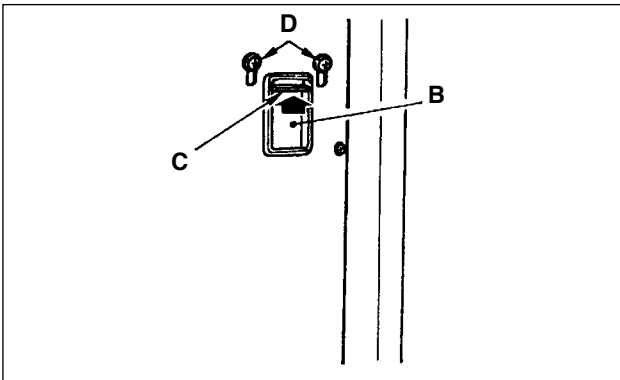


- To prevent personal injury caused by abrupt start of the sewing machine, carry out the work after turning OFF the power switch and a lapse of 5 minutes or more.
- To prevent damage of device caused by maloperation and wrong specifications, be sure to connect all the corresponding connectors to the specified places.
- To prevent personal injury caused by maloperation, be sure to lock the connector with lock.
- As for the details of handling respective devices, read carefully the Instruction Manuals supplied with the devices before handling the devices.

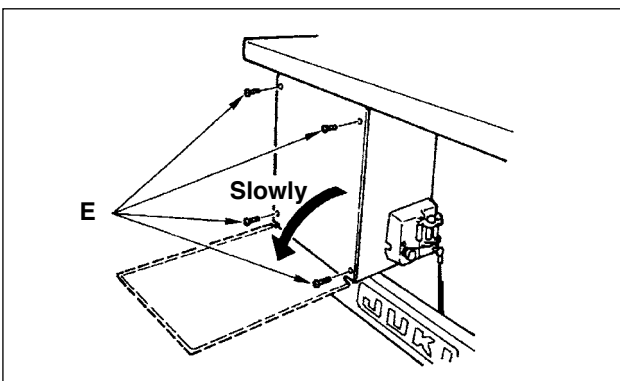
(1) Preparation of wiring



- 1) Pass the cords coming from the machine head to the underside of the table through hole A in the table.



- 2) Loosen screws D and lift cord presser plate C of cord passing hole B located on the front cover to the top and temporarily tighten the plate.

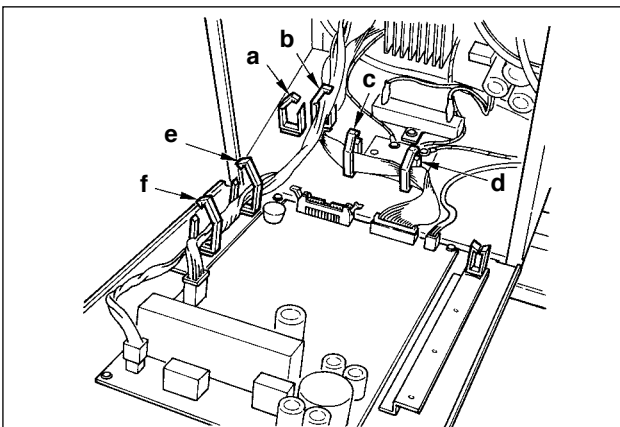


- 3) Remove four screws E fixing the rear cover of the electrical box. When opening the rear cover, pressing it with your hands, slowly open it by approximately 90° until it stops as illustrated.

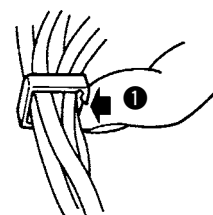


Be sure to lend your hand to the rear cover in order not to let the rear cover fall. In addition, do not apply force to the rear cover opened.

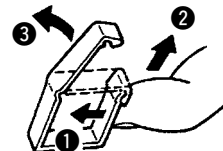
- 4) Remove the locks of cord clamps a, b, c, d, e, and f.



How to remove the cord clamp



- ① Lightly pressing
- ② Pull down the clamp.
- ③ The clamp goes up.

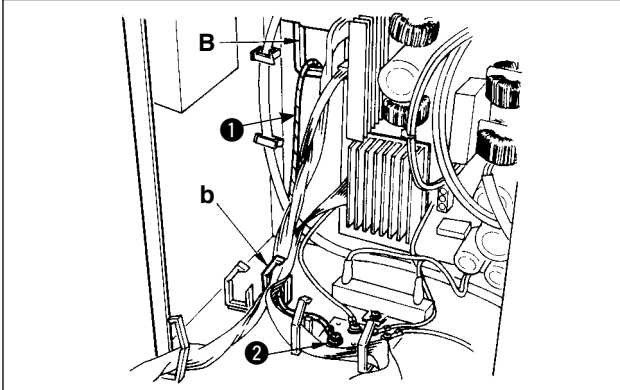


* See P.11 for how to lock the cord clamp.

(2) Connecting the connectors

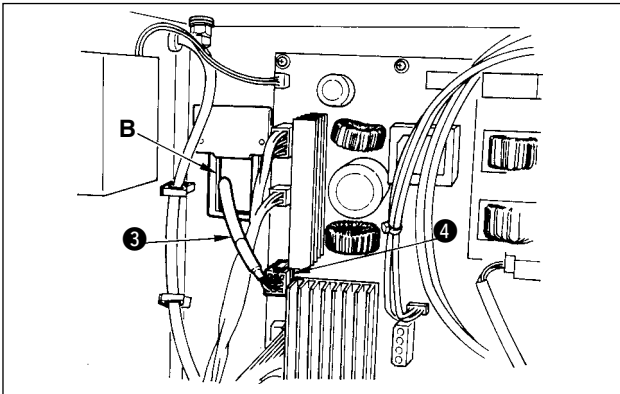


- Each connector has the inserting direction. Check the direction and securely insert it. (In case of the type with lock, insert up to the lock.)
- If the connector is forcibly inserted, trouble or accident will be caused.
- Never pull out the connectors inserted at the time of delivery.
- The sewing machine fails to work if the connectors are not properly inserted. Not only the problem such as the error warning or the like but also breakage of the sewing machine or electrical box will occur.

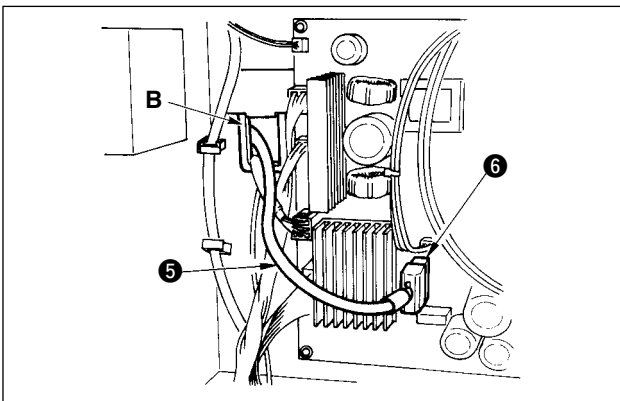


Connect cords in the following order.

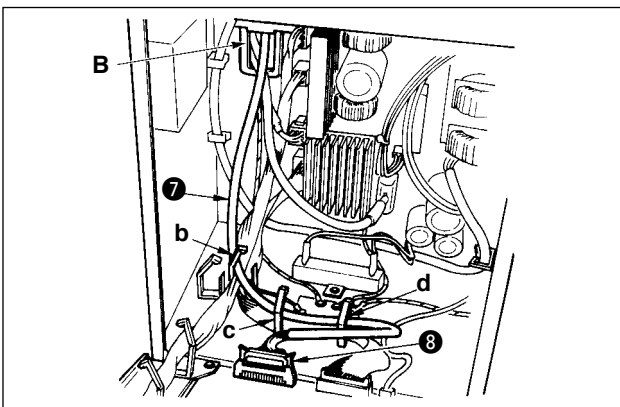
- 5) Insert yellow/green earth cord ① coming from the machine head inside the electrical box through front cover through hole B, and pass it through cord clamp "b" as illustrated and tighten it with screw at the position ② in the illustration.



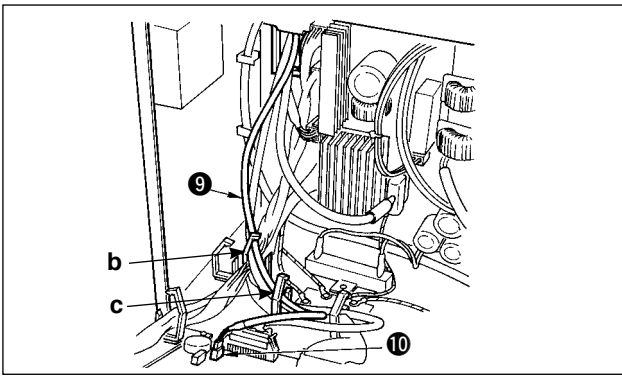
- 6) Insert white square connector 9P black cord ③ coming from the machine head inside the electrical box through front cover through hole B, and insert it into connector CN38 ④ of the circuit board attached to the front cover.



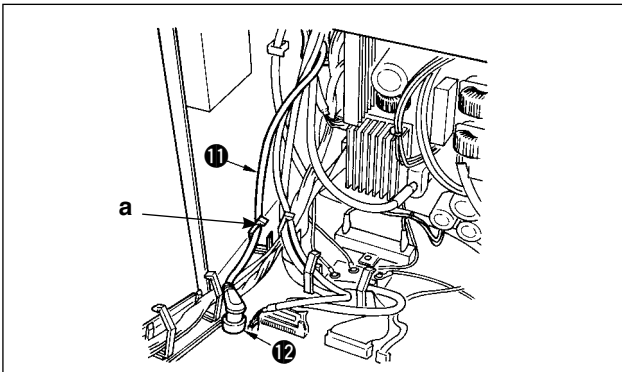
- 7) Insert white connector 4P black cord ⑤ coming from the machine head inside the electrical box through front cover through hole B, and insert it into connector CN21 ⑥ of the circuit board attached to the front cover.



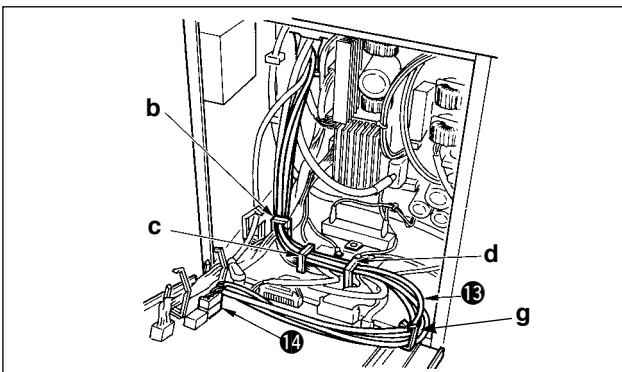
- 8) Insert white connector 26P cord ⑦ coming from the control panel inside the electrical box through front cover through hole B, pass it through cord clamps "b", "c" and "d", insert it into connector CN34 ⑧, and lock it.



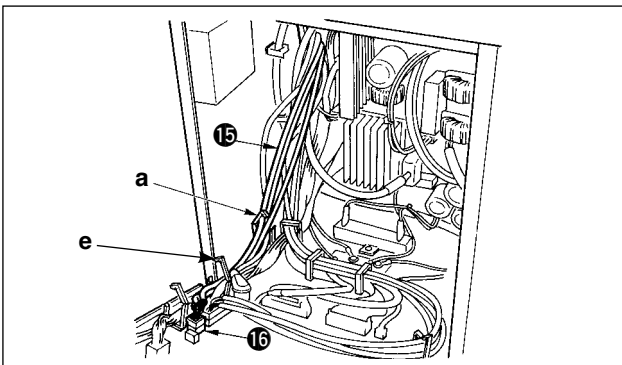
9) Insert black connector 4P white cord 9 coming from the machine head inside the electrical box through front cover through hole B, and insert it into connector CN31 10.



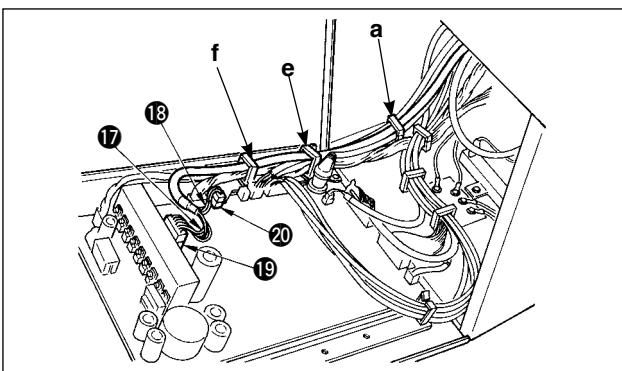
10) Insert gray round connector 7P cord 11 coming from the machine head inside the electrical box through front cover through hole B, pass it through cord clamp "a", and insert it into connector CN30 12.



11) Insert white connector 12P cord 13 coming from the machine head inside the electrical box through front cover through hole B, pass it through cord clamps "b", "c", "d" and "g", and insert it into connector CN53 14.
Close cord clamps "b", "c" and "d".



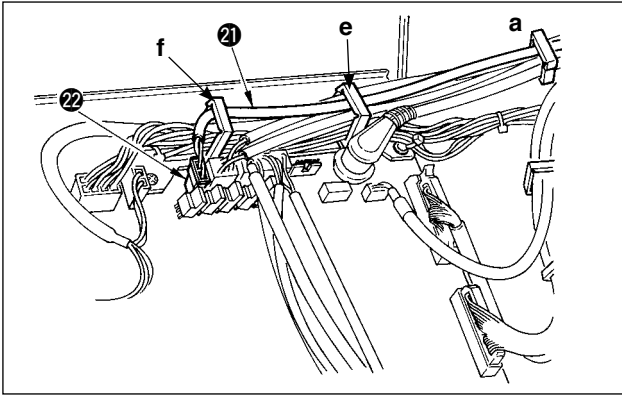
12) Insert white connector 6P three cords 15 coming from the machine head inside the electrical box through front cover through hole B, pass it through cord clamps "a" and "e", and insert it into connector CN54 16.



13) Insert white connector 10P cord 17 and blue connector 2P cord 18 coming from the machine head inside the electrical box through front cover through hole B, pass them through cord clamps "a", "e" and "f", and insert the white 10P into connector CN51 19 and the blue 2P into CN46 20.

Caution The blue 2P connector is attached only for the machine with thread trimmer.

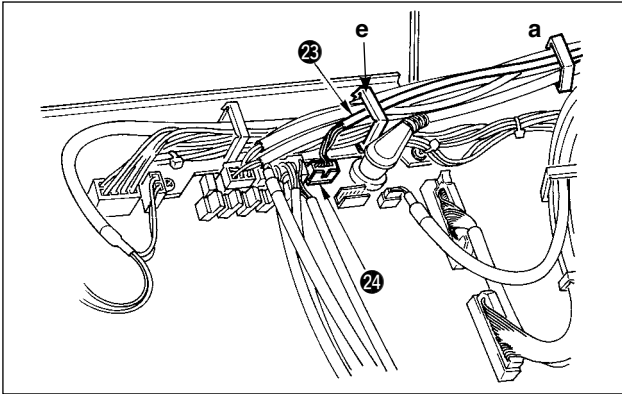
Close cord clamps "a", "e" and "f".



When the Auto-lifter (AK121) is used :

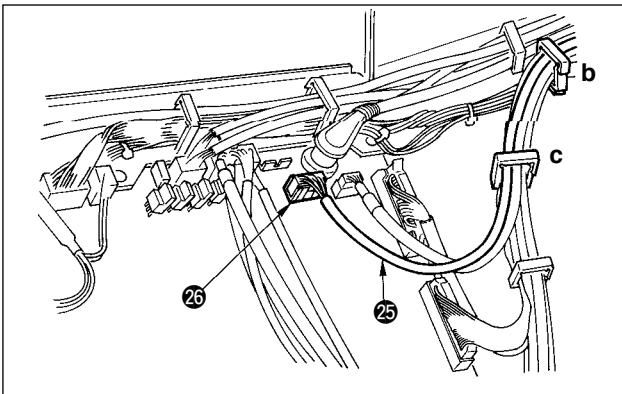
- 14) Insert white connector 2P cord 21 coming from the machine head inside the electrical box through front cover through hole B, pass it through cord clamps “a”, “e” and “f”, and insert it into connector CN40 22.

Change the setting of function setting No. 23 from “0” to “1” after completing all set-up procedure. For the details, see p.78 and p.81.



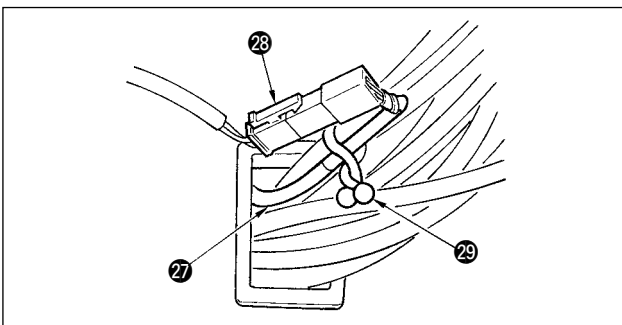
When the bird's nest prevention device is used (CB type)

- 15) Insert white small connector 6P cord 23 coming from the machine head inside the electrical box through front cover through hole B, pass it through cord clamps “a” and “e”, and insert it into connector CN52 24.



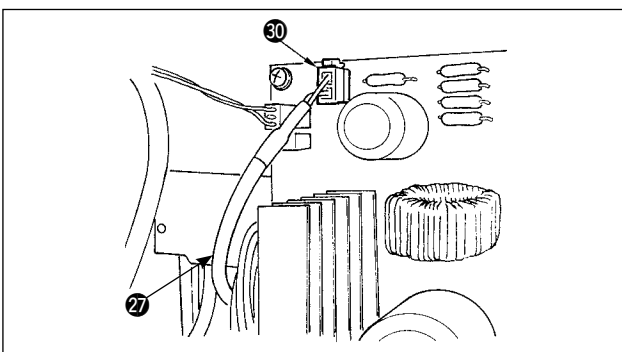
When foot pedal for standing work (PK70 or 71) is used :

- 16) Insert black connector 12P cord 25 inside the electrical box through front cover through hole B coming from the foot pedal for standing work, pass it through cord clamps “b” and “c”, and insert it into connector CN32 26.



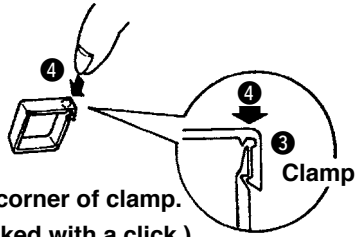
- 17) Connect white connector 2P of cord 27 supplied as accessories to which red connector 2P and white connector 2P are attached to white connector 2P 28 of under cover of the machine head.

Fix omega lock 29 supplied as accessories with the neighboring cords and cord 27 as shown in the figure.



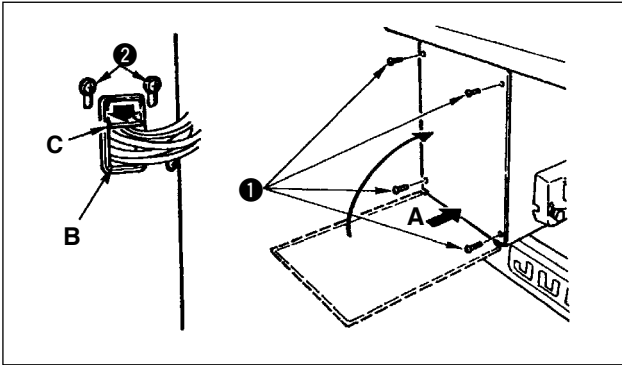
- 18) Insert red connector 2P side of cord 27 supplied as accessories to which red connector 2P and white connector 2P are attached inside the electrical box through front cover through hole, and insert it into red connector CN25 30.

How to lock the cord clamp



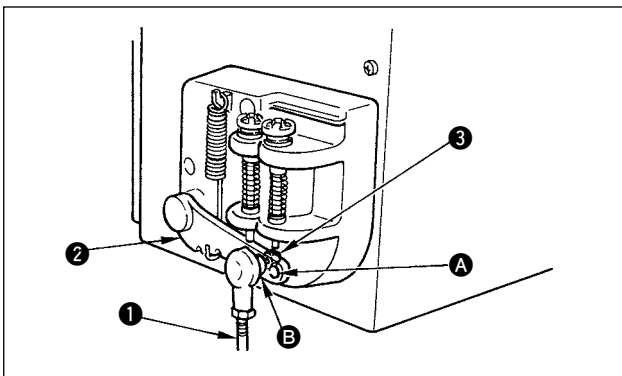
- ④ Lightly press the corner of clamp.
(Cord clamp is locked with a click.)

When the insertion of the connector is completed, lock the cord clamps.



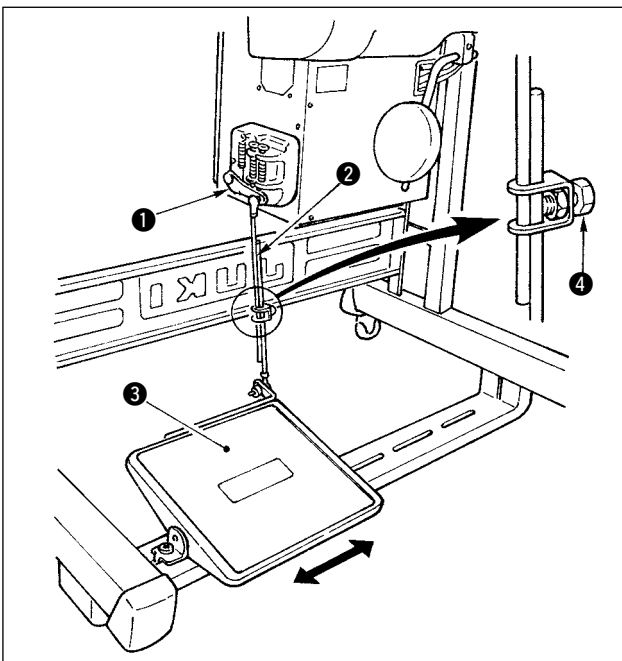
- ① Take care so that the cord is not caught between the rear cover and the electrical box main body, close the rear cover while pressing section A on the lower side of the rear cover, and tighten four screws ①.
- ② Press down cord presser plate C of cord through hole B of the front cover, press the cord, and tighten screws ②.

4-9. Attaching the connecting rod



- 1) Fix connecting rod ① to installing hole B of pedal lever ② with nut ③.
- 2) Installing connecting rod ① to installing hole A will lengthen the pedal depressing stroke, and the pedal operation at a medium speed will be easier.

4-10. Adjustment of the pedal



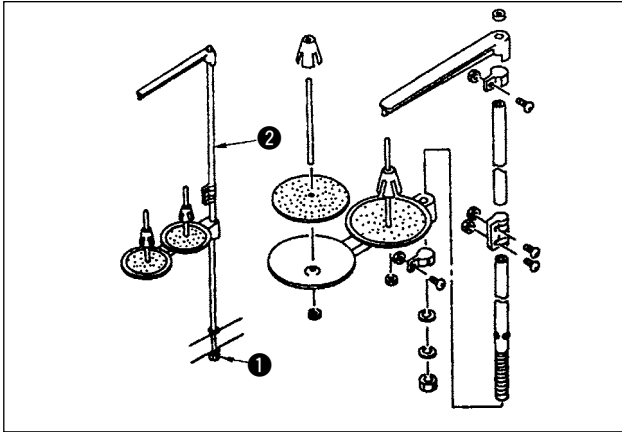
■ Installing the connecting rod

- 1) Move pedal ③ to the right or left as illustrated by the arrows so that motor control lever ① and connecting rod ② are straightened.

■ Adjusting the pedal angle

- 1) The pedal tilt can be freely adjusted by changing the length of the connecting rod.
- 2) Loosen adjust screw ④, and adjust the length of connecting rod ②.

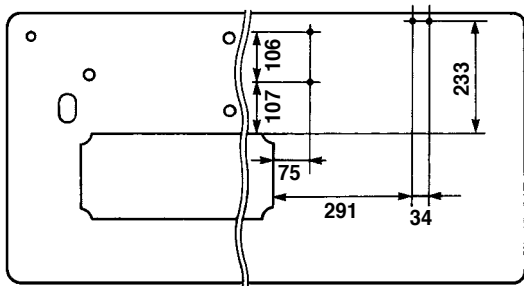
4-11. Installing the thread stand



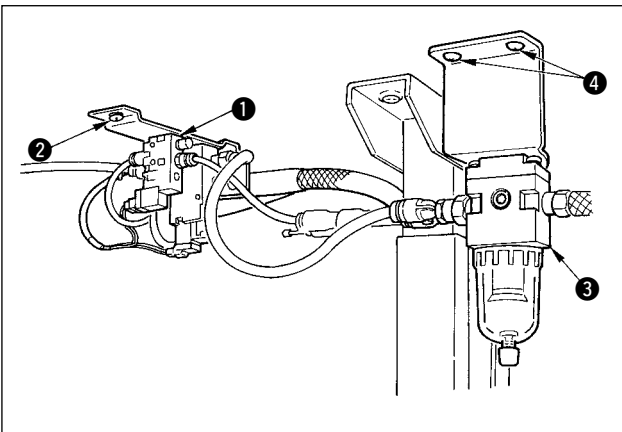
- 1) Assemble the thread stand unit, and insert it in the hole in the machine table.
- 2) Tighten locknut **1** to fix the thread stand.
- 3) For ceiling wiring, pass the power cord through spool rest rod **2**.

4-12. Installing the bird's nest prevention (CB) type sewing machine

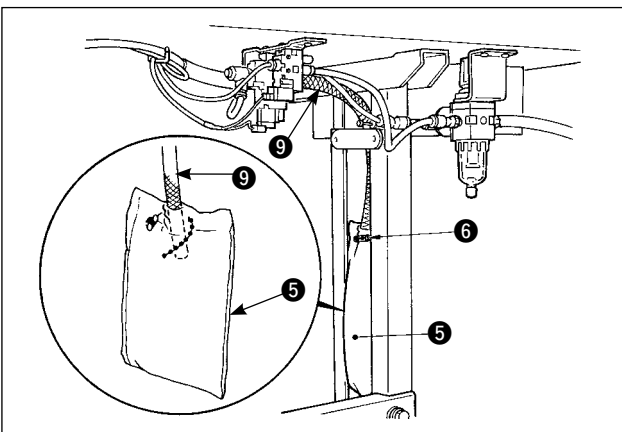
(bottom surface of the machine table) (mm)



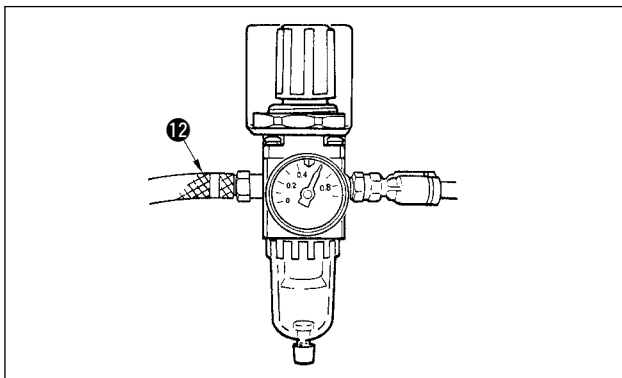
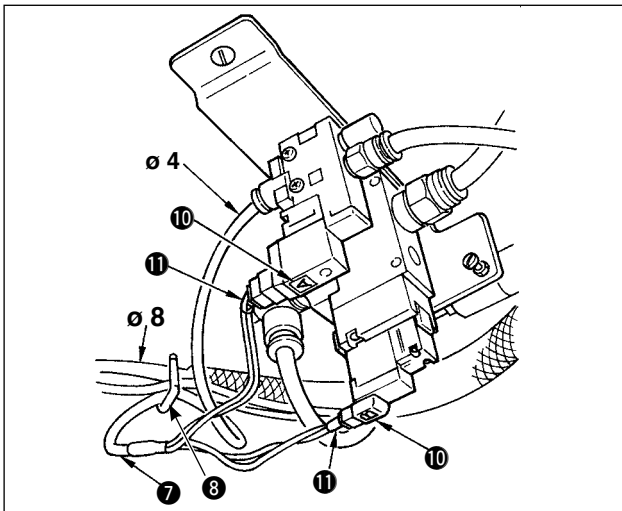
- 1) Punch dots on the positions of the setscrews of solenoid valve (asm.) and regulator (asm.) on the bottom surface of the machine table.
Besides, awling is performed on JUKI genuine table.



- 2) Fix solenoid valve (asm.) **1** with wood screw **2** supplied with the sewing machine as accessories.
- 3) Fix regulator (total asm.) **3** with wood screw **4** supplied with the sewing machine as accessories.
- 4) Connect $\varnothing 6$ and $\varnothing 8$ hoses attached to regulator (total asm.) **3** to the respective solenoid valves.



- 5) Insert dust bag **5** into the top end of hose **9** for dust bag and fix it with band **6** supplied with the sewing machine as accessories.




6) Adjust solenoid valve cord (asm.) ⑦ to the solenoid valve and the hot marker of the cord, and connect it.

Connect 6P connector ⑩⑪ to CM52 connector inside the electrical box. (Refer to "When the bird's nest prevention device is used, p. 10".)

7) Connect air hose ø 4 coming from the machine head to the solenoid valve section and air hose ø 8 to the dust bag suction port respectively.

8) Fix the solenoid valve and the air hose on the table with staple ⑧ supplied as accessories.



Caution

1. Fix the staple to such an extent that the air hose is not crushed.
2. Determine the position of the staple so that the cord and the air hose do not hang from the table.

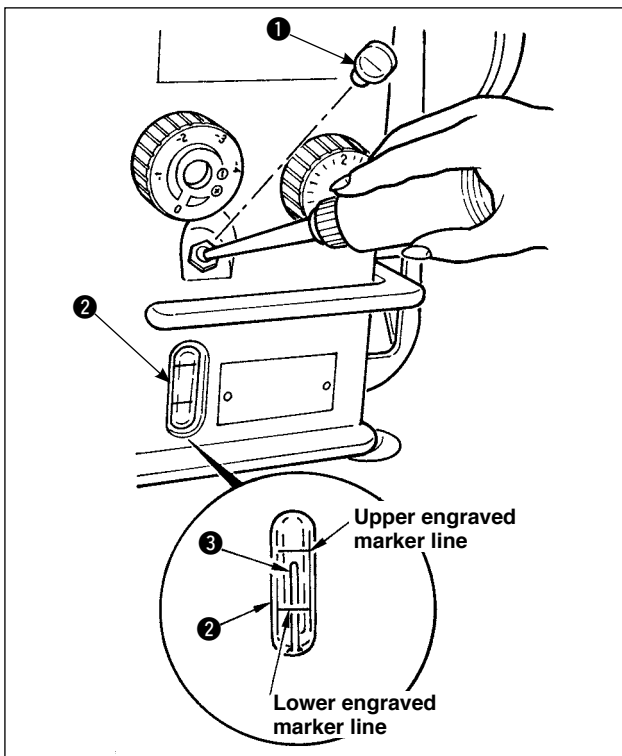
9) Connect the air pipe ⑫ and set the air pressure to 0.6 MPa.

4-13. Lubrication (LZ-2290A-SS · A-SU (-7))



WARNING :

1. Do not connect the power plug until the lubrication has been completed so as to prevent accidents due to abrupt start of the sewing machine,
2. To prevent the occurrence of an inflammation or rash, immediately wash the related portions if oil adheres to your eyes or other parts of your body.
3. If oil is mistakenly swallowed, diarrhea or vomiting may occur. Put oil in a place where children cannot reach.




Fill the oil tank with oil for hook lubrication before operating the sewing machine.

1) Remove oil hole cap ① and fill the oil tank with JUKI New Defrix Oil No. 1 using the oiler supplied with the machine.

2) Fill the oil tank with oil up to the place where the top of oil amount indicating rod ③ aligns with the upper engraved line of oil amount indicating window ②. If the oil is filled excessively, it will leak from the air vent hole in the oil tank or proper lubrication will be not performed. So, be careful.

3) When you operate the sewing machine, refill oil if the top end of oil amount indicating rod ③ comes down to the lower engraved marker line of oil amount indicating window ②.



Caution

- When you use a new sewing machine or a sewing machine after an extended period of disuse, run your machine at 3,000 to 3,500 sti/min for the purpose of break-in.
- For the oil for hook lubrication, purchase JUKI New Defrix Oil No. 1 (Part No. : MDFRX1600C0).

4-14. Test run

(1) Turn ON the power



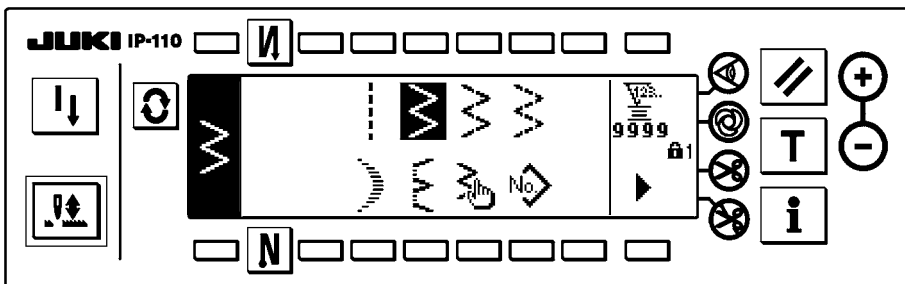
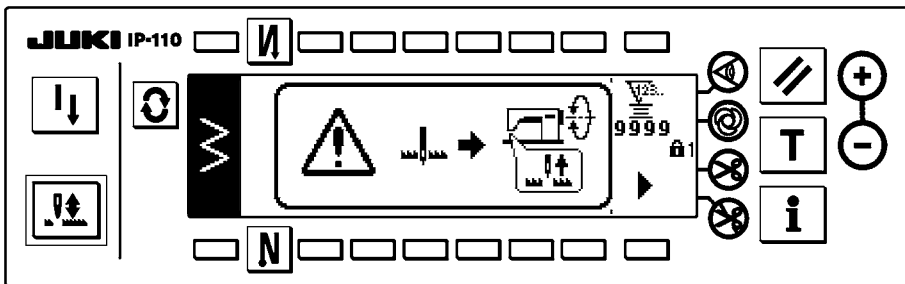
WARNING :

- Check again the power voltage before connecting the power cord.
- Check that the power switch is turned OFF and connect the power cord to the power receptacle.
- Be sure to connect the earth wire.
- In case where the buzzer keeps beeping immediately after turning ON the power, there is a possibility of the wrong connection of cord or wrong power voltage. Turn OFF the power.

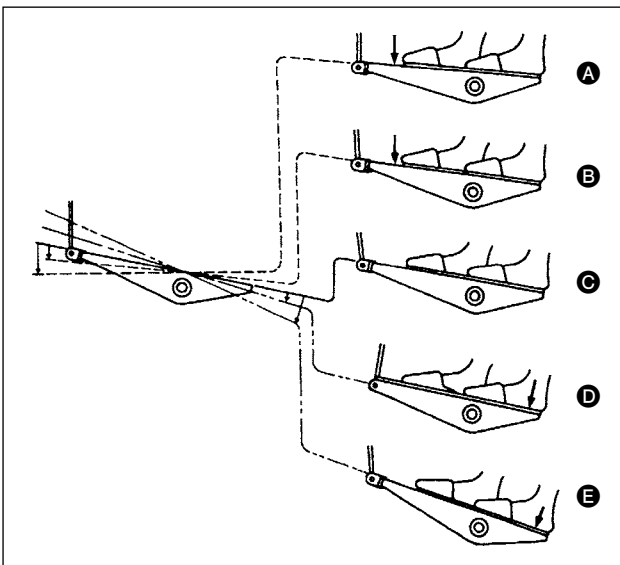
1) When the needle bar is in its UP position, zigzag origin detection is performed.

2) When the needle bar is in the position other than UP position :

Display as shown in the figure below appears. Turn the handwheel to bring the needle bar to needle UP position and the display changes to the next screen. Then the needle moves left and right, and zigzag origin detection is performed.



(2) How to operate the pedal



The pedal is operated in four stages.

- 1) Lightly depress the front part of the pedal for low-speed operation **B**.
- 2) Further depress the front part of the pedal for high-speed operation **A**. (Note that the sewing machine will enter the high-speed operation mode after the completion of reverse feed stitching if the automatic reverse feed stitching function is specified with the corresponding switch.)
- 3) Bring the pedal back to its neutral position, and the sewing machine will stop running **C**. (The needle stops in the highest / lowest position.)
- 4) Strongly depress the back part of the pedal, and the thread trimmer will be actuated **E**.
Lightly depress the back part of the pedal, and the presser foot will go up **D**. Further depress the back part of the pedal, and the thread trimmer will be actuated.

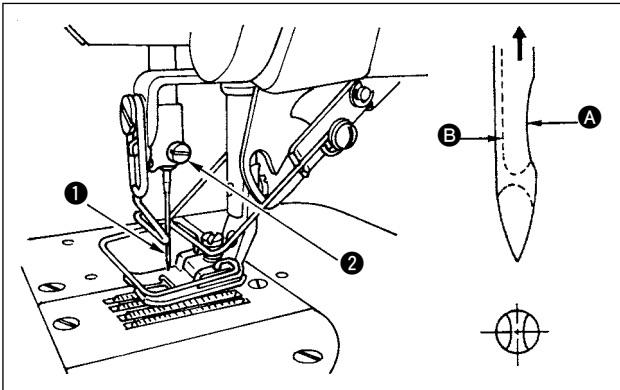
5. PREPARATION BEFORE SEWING

5-1. Inserting the needle



WARNING :

To protect against possible personal injury due to abrupt start of the machine, be sure to start the following work after turning the power off and ascertaining that the motor is at rest.



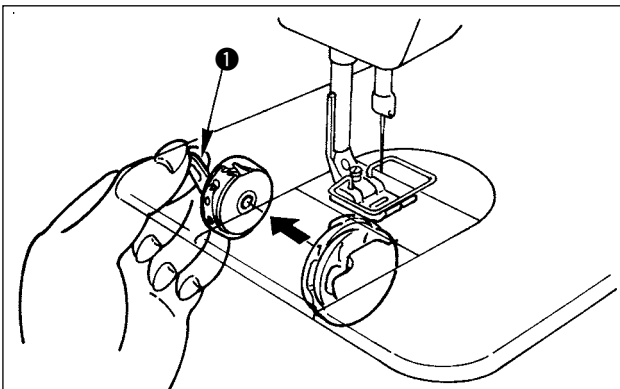
- 1) Turn the handwheel by hand to raise the needle to its highest position.
- 2) Loosen the needle clamp screw ② . Hold the needle ① so that the long groove B on the needle is facing exactly toward you.
- 3) Insert the needle deep into the hole of the needle bar in the direction of the arrow until it will go no further.
- 4) Securely tighten the screw ② .
- 5) Confirm that the long groove B on the needle faces toward you.

5-2. Removing the bobbin case



WARNING :

To protect against possible personal injury due to abrupt start of the machine, be sure to start the following work after turning the power off and ascertaining that the motor is at rest.



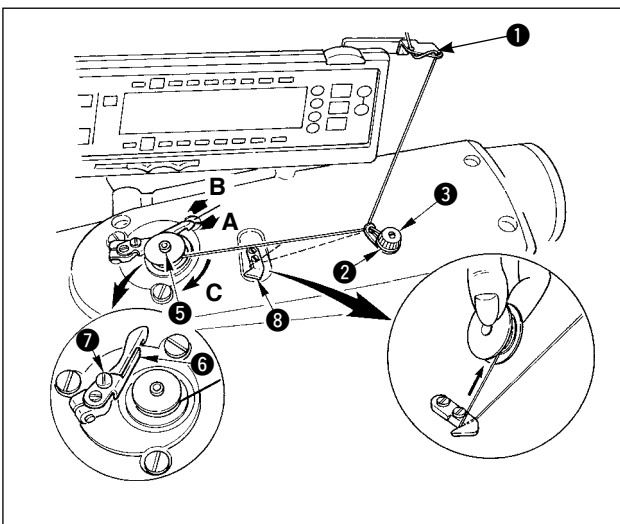
- 1) Turn the handwheel by hand to raise the needle to its highest position.
- 2) Raise bobbin case latch ① and remove the bobbin case.

5-3. Winding the bobbin thread

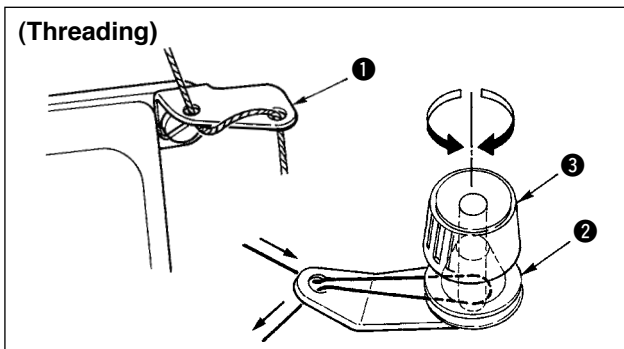
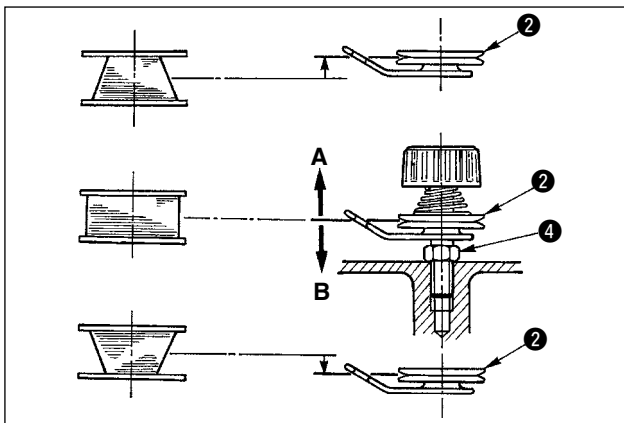


WARNING :

To protect against possible personal injury due to abrupt start of the machine, be sure to start the following work after turning the power off and ascertaining that the motor is at rest.



- 1) Insert the bobbin deep into the bobbin winder spindle ⑤ until it will go no further.
- 2) Pass the bobbin thread pulled out from the spool rested on the right side of the thread stand following the order from ① as shown in the figure on the left. Then, wind the end of the bobbin thread on the bobbin several times.
- 3) Press the bobbin winder adjusting plate ⑥ in the direction of A and start the sewing machine. The bobbin rotates in the direction of C and the bobbin thread is wound up. The bobbin winder spindle ⑤ will automatically stop as soon as the winding is finished.
- 4) Remove the bobbin and cut the bobbin thread with the thread cut retainer ⑧ .
- 5) To adjust the winding amount of the bobbin thread, loosen setscrew ⑦ and move bobbin winder adjusting plate ⑥ to the direction of A or B. Then, tighten setscrew ⑦.
To the direction A : The amount is decreased.
To the direction B : The amount is increased.



6) In case that the bobbin thread is not wound evenly on the bobbin, loosen the nut ④ and turn the bobbin thread tension to adjust the height of the thread tension disk ②.

- It is the standard that the center of the bobbin is as high as the center of the thread tension disk.
- Move the position of the thread tension disk ② to the direction A as shown in the figure on the left when the winding amount of the bobbin thread on the lower part of the bobbin is excessive and to the direction B as shown in the figure on the left when the winding amount of the bobbin thread on the upper part of the bobbin is excessive.

After the adjustment, tighten the nut ④.

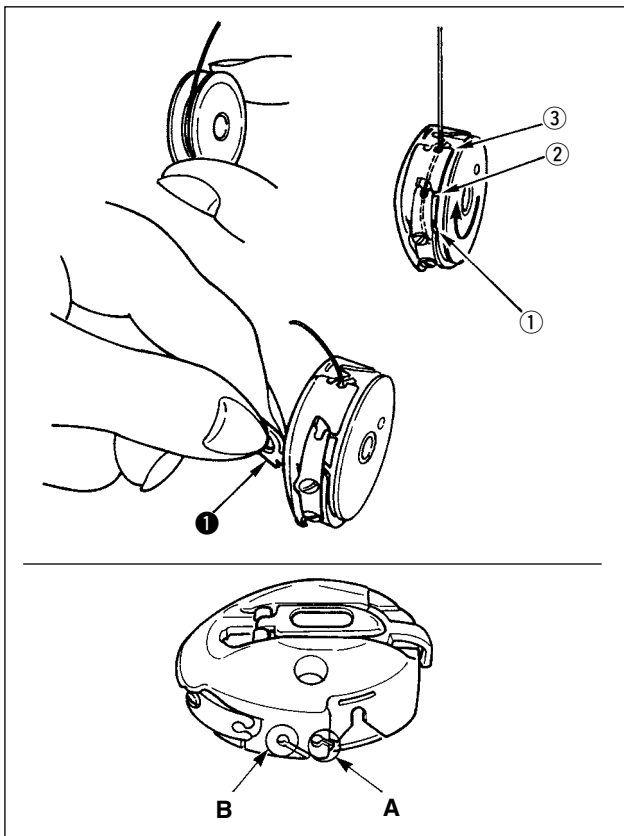
7) Turn the thread tension nut ③ to adjust the tension of the bobbin thread winder.

Note 1. When winding bobbin thread, start winding in the state that the thread between bobbin and thread tension disk ② is tense.

2. When winding bobbin thread in the state that the sewing is not performed, remove needle thread from the thread path of the thread take-up and remove bobbin from the hook.

5-4. Placing the bobbin case and the bobbin

WARNING :
To protect against possible personal injury due to abrupt start of the machine, be sure to start the following work after turning the power off and ascertaining that the motor is at rest.



- 1) Turn the handwheel by hand to raise the needle to its highest position.
- 2) Take a bobbin by your right hand with the thread drawn out about 5 cm from the thread end of the bobbin and place it into the bobbin case as illustrated.
- 3) Thread the bobbin case in the order of the numbers and pull it out through the thread path as illustrated. The bobbin rotates in the bobbin case in the direction shown by arrow when bobbin thread is drawn.
- 4) Raise bobbin case latch ① and hold it between your two fingers as shown in the figure on the left.
- 5) Insert the bobbin case into the sewing hook shaft as far as it will go by putting your hand from the under cover of the inner hook. (Click sounds.)
- 6) Release the bobbin case latch to let it steadily rest in the closing position.

How to use the bobbin case thread hole

- 1) Use hole A mainly for zigzag stitches other than 2-step zigzag stitch and scallop zigzag stitch.
- 2) Use hole B mainly for 2-step zigzag stitch and scallop zigzag stitch.

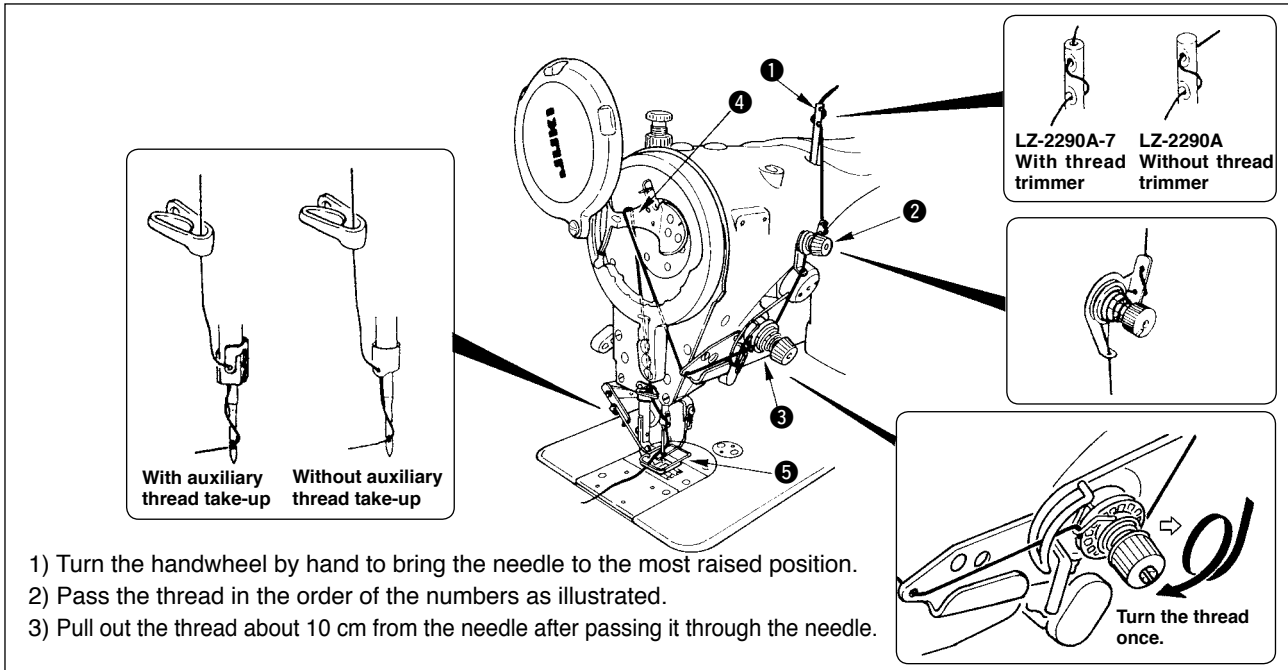
Caution There may be a case where several stitches at the start of sewing are difficult to be knotted when thread trimmer is used with thin filament thread such as (#50, #60 or #80) using hole B. At this time, use the other hole or perform the sewing starting from the right.

5-5. Threading the machine head



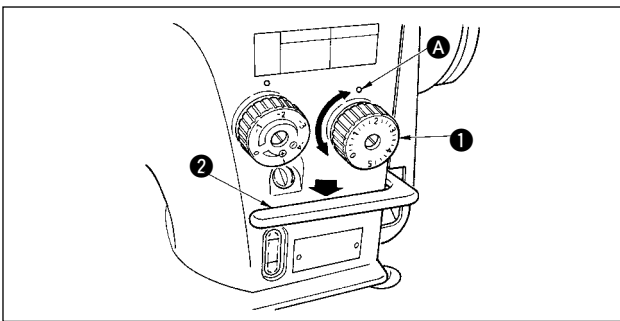
WARNING :

To protect against possible personal injury due to abrupt start of the machine, be sure to start the following work after turning the power off and ascertaining that the motor is at rest.



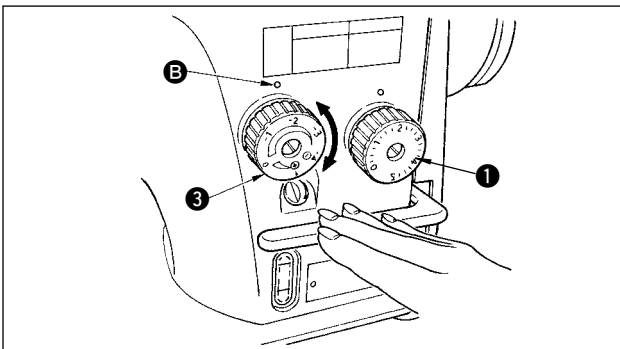
- 1) Turn the handwheel by hand to bring the needle to the most raised position.
- 2) Pass the thread in the order of the numbers as illustrated.
- 3) Pull out the thread about 10 cm from the needle after passing it through the needle.

5-6. Adjusting the stitch length



- 1) Turn the stitch length dial **1** in the direction of the arrow so that the number corresponding to the desired stitch length meets the marker dot **A** engraved on the machine arm.
- 2) Numbers on the stitch length dial are calibrated in mm.
- 3) To perform reverse feed stitching, press down the feed lever **2**. The sewing machine performs reverse feed stitching as long as you keep the feed lever held pressed. The feed lever will return to its home position and the sewing machine will run in the normal stitching direction when you release the feed lever.

5-7. Adjusting the condensation stitching



Stitch length can be reduced at the start or end of sewing. This feature is used for fastening stitch.

- 1) Turn condensation stitching adjusting dial **3** in the direction of the arrow mark, and adjust the desired number to engraved dot **B** on the machine arm.
 - 2) The number of the graduation is shown in the unit of mm.
 - 3) Turn condensation stitching adjusting dial **3** in the direction of + to reduce the reverse feed stitch length.
- Example : When stitch length dial **1** is used with the graduation of +2, the maximum adjustment value of condensation stitching adjusting dial **3** becomes -2. (It is possible to adjust within the range of -2 to +2.)

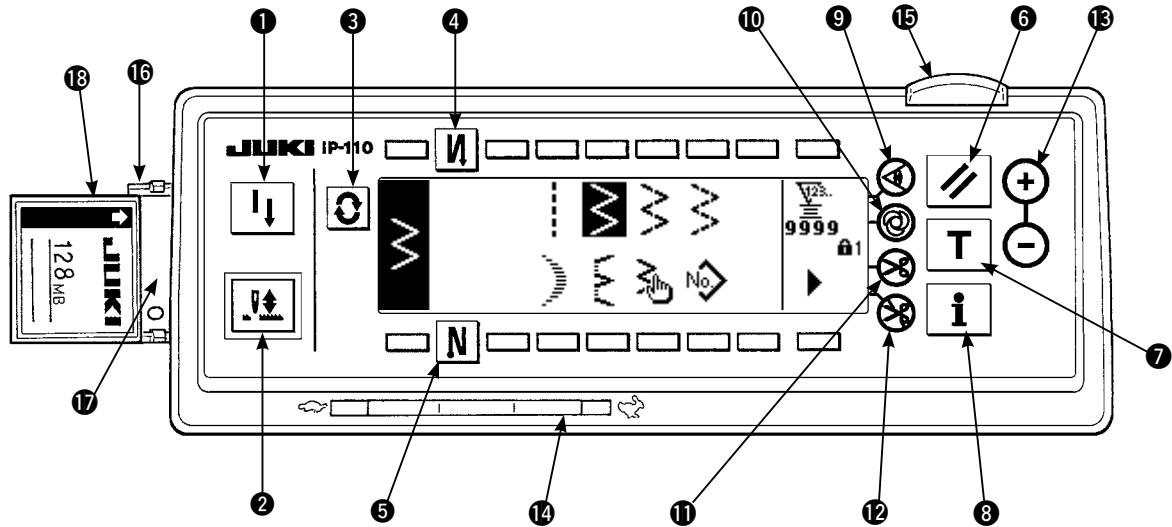


Maximum feed amount is regulated to ± 2 according to the gauge delivered (feed dog : 22581508). Adjustment can be performed up to the range of maximum +5 to -4 by replacing the gauge (feed dog : 22540009).







- 4) Note that the graduations on the dial are mere reference. Adjust the condensation stitching while actually observing the finished seam.







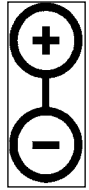
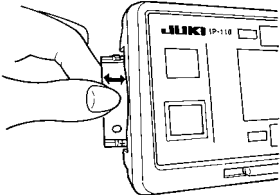
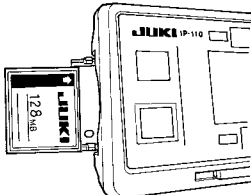
6. HOW TO USE THE OPERATION PANEL

6-1. Names and functions of the respective sections



- | | | |
|---|--|--|
| ① Re-sewing switch | ⑧ Information switch | ⑮ Power display lamp |
| ② Needle up/down compensating switch | ⑨ Edge sensor switch | ⑯ Media cover |
| ③ Screen changeover switch | ⑩ One-shot stitching switch | ⑰ Media slot
(Media inserting opening) |
| ④ With/without reverse feed stitch at sewing start switch | ⑪ With/without automatic thread trimmer switch | ⑱ CompactFlash (TM)
(Optional : Part No.40000100) |
| ⑤ With/without reverse feed stitch at sewing end switch | ⑫ Thread trimming prohibiting switch | |
| ⑥ Reset switch | ⑬ Counter value setting switch | |
| ⑦ Teaching switch | ⑭ Max.speed limitation variable resistor | |

<p>① Re-sewing switch</p> 	<p>This switch is used to continue sewing from the step on the way after replacing bobbin thread when bobbin thread has run out during program stitching step.</p>
<p>② Needle up/down compensating switch</p> 	<p>This is the switch to perform needle up/down compensating stitching. (Needle up/down compensating stitching and one stitch compensating stitching can be changed over with function setting No. 22.)</p>
<p>③ Screen changeover switch</p> 	<p>This is the switch to change over the screen.</p>
<p>④ With/without reverse feed stitch at sewing start switch</p> 	<p>This is the switch to turn ON/OFF automatic reverse feed stitch at sewing start. * This switch cannot be used with the sewing machine which is not provided with automatic reverse feed stitching device. For the details, see p. 42.</p>
<p>⑤ With/without reverse feed stitch at sewing end switch</p> 	<p>This is the switch to turn ON/OFF automatic reverse feed stitch at sewing end. * This switch cannot be used with the sewing machine which is not provided with automatic reverse feed stitching device. For the details, see p. 42.</p>
<p>⑥ Reset switch</p> 	<p>This is the switch to make the value of bobbin thread counter or sewing counter the set value. For the details, see p. 67.</p>

<p>7 Teaching switch</p> 	<p>This is the switch to set the setting of the number of stitches with the value of number of stitches which has been actually sewn.</p>
<p>8 Information switch</p> 	<p>This is the switch to perform various function settings.</p>
<p>9 Edge sensor switch</p> 	<p>This switch cannot be used with LZ-2290A.</p>
<p>10 One-shot stitching switch</p> 	<p>When this switch is set to effective at the time of program stitching, the sewing machine automatically operates up to the specified number of stitches.</p>
<p>11 With/without automatic thread trimmer switch</p> 	<p>When this switch is set to effective at the time of program stitching, the sewing machine automatically performs thread trimming when the specified number of stitches has been completed.</p>
<p>12 Thread trimming prohibiting switch</p> 	<p>This switch prohibits all thread trimmings. * This switch cannot be used with the sewing machine which is not provided with the automatic thread trimming device.</p>
<p>13 Counter value setting switch</p> 	<p>This is the switch to set the value of bobbin thread counter or No. of pcs. counter.</p>
<p>14 Max. speed limitation variable resistor</p>	<p>When moving the resistor in the left direction, max. speed is limited.</p>
<p>15 Power display lamp</p>	<p>This lamp lights up when the power switch is turned ON.</p>
<p>16 Media slot cover</p> 	<p>This is the cover for media inserting opening. To open the cover, place your finger on the notch located on the side of the cover as shown in the figure and push the cover in the direction of left slanting rear. * There are some functions that are not able to be operated with the cover opened. Do not close the cover unless the CompactFlash(TM) is completely inserted. For the details, see p. 75.</p>
<p>17 Media slot (Media inserting opening)</p> 	<p>To set CompactFlash(TM), place the label face of the CompactFlash(TM) to the front and insert the part that has a small hole (place the notch of the edge to the rear) to the panel. To remove the CompactFlash(TM), hold it between your fingers and draw it out. For the details, see p. 75. * When the inserting direction of the CompactFlash(TM) is wrong, the panel and the CompactFlash(TM) may be damaged. Do not insert anything other than the CompactFlash(TM).</p>

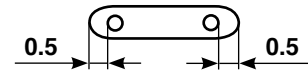
6-2. Before setting the pattern



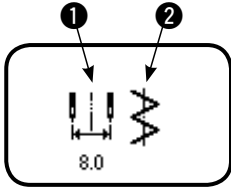
WARNING :

Provide a clearance of 0.5 mm or more between the needle and the gauges when replacing the gauges such as presser foot, throat plate, etc.

If the clearance is smaller than the specified value, it is in danger of causing the needle to be broken or the like.



(1) Limitation of the max. zigzag width



Max. zigzag width limitation value and reference of stitch base line are displayed when the power is turned ON.

① : Max. zigzag width limitation value (Screen changes in case of specifying left/right positions.)

② : Reference of stitch base line

Max. zigzag width limitation value and reference of stitch base line can be performed with ON/OFF.



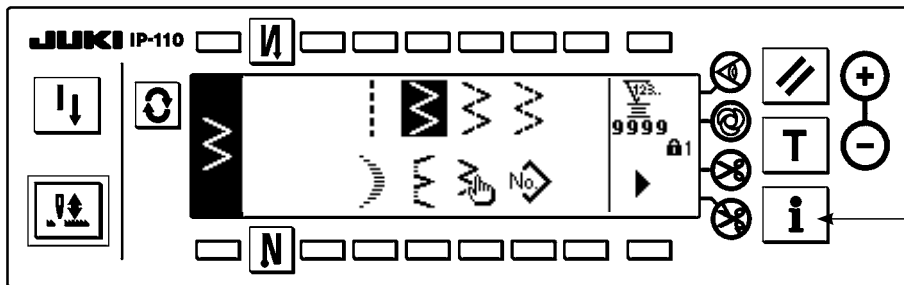
• Max. zigzag width can be limited in accordance with the gauge.

• There are two kinds of limitations of max. zigzag width.

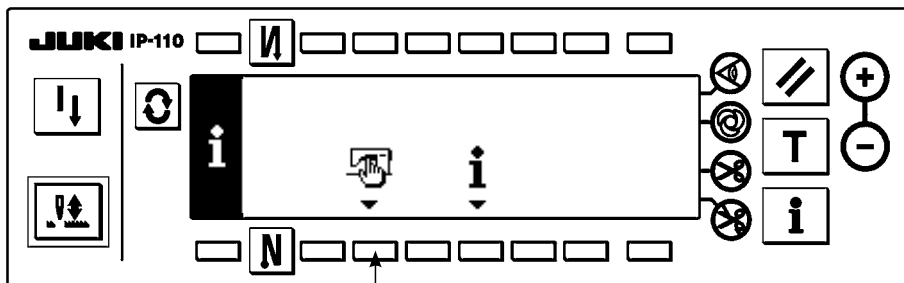
(1) Zigzag width symmetrical in the center

(2) Specifying left/right positions

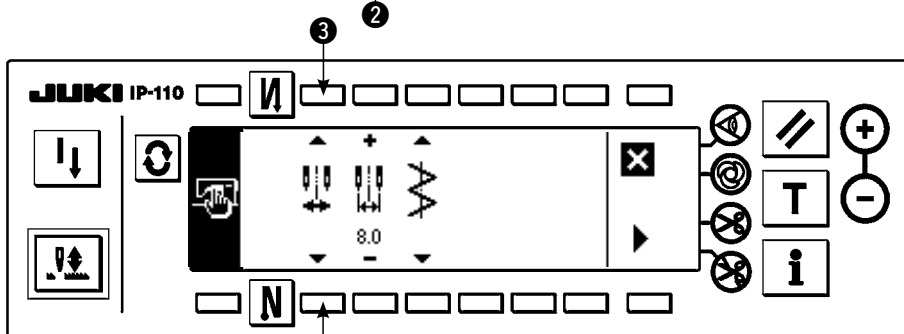
Changeover of limiting procedure of max. zigzag width limitation value



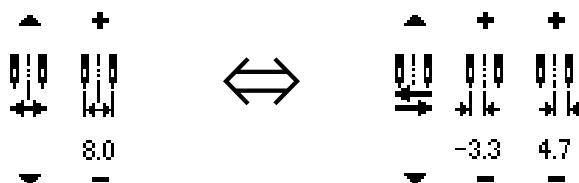
1) Press switch ①.



2) Press switch ②.



3) Figure on the left side is the zigzag width symmetrical in the center mode. Every time switch ③ is pressed, specifying left/right positions and zigzag width symmetrical in the center can be changed over alternately.

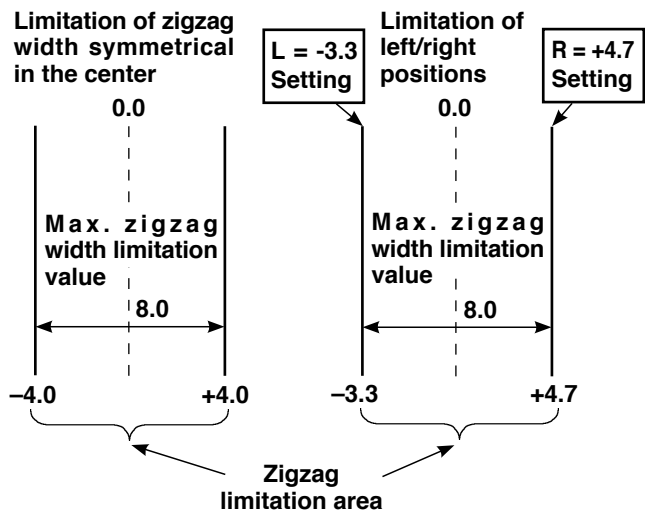


(1) Zigzag width symmetrical in the center

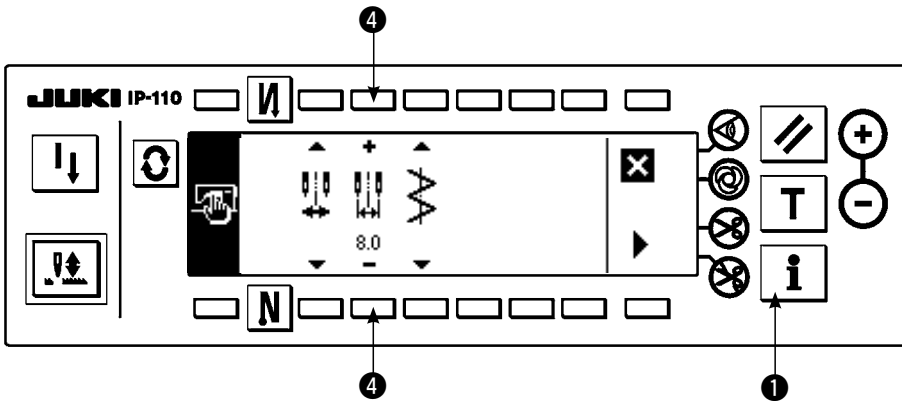
(2) Specifying left/right positions

■ How to set max. zigzag width limitation value

Determine whether limitation of zigzag width symmetrical in the center or limitation of left/right positions in the order of 1) to 3) of the previous page in accordance with the gauge used.



(A) In case of zigzag width symmetrical in the center

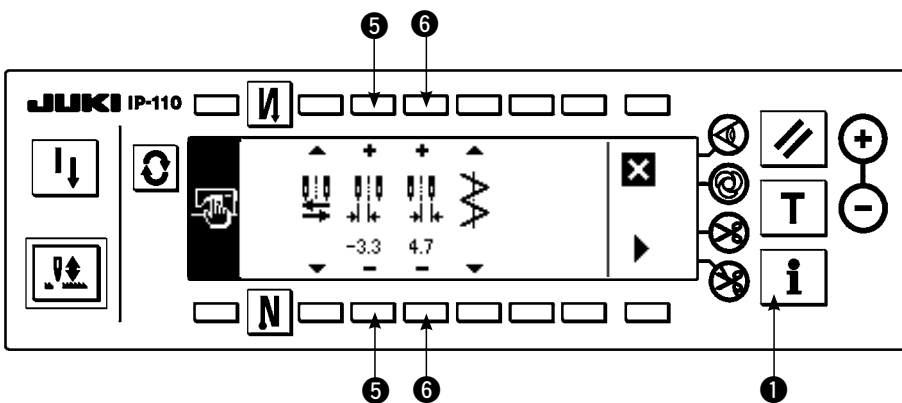


- 1) Press +/- of switch **4** and set the limitation value.

In case of the example, set the value to 8.0.

- 2) Press switch **1** and the screen returns to the previous one.

(B) In case of specifying left/right positions



Change of left side position limitation

- 1) Press +/- of switch **5** to set the left side limitation value.

In case of the example, set the value to -3.3.

Change of right side position limitation

- 2) Press +/- of switch **6** to set the right side limitation value.

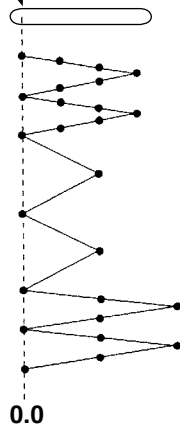
In case of the example, set the value to +4.7.

- 3) Press switch **1** and the screen returns to the previous one.

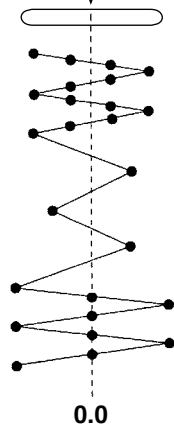
(2) Setting the reference of stitch base line

- Reference position of stitch base line can be set to left, center and right.

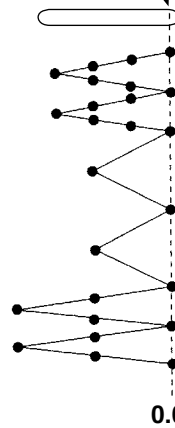
Reference of left
stitch base line



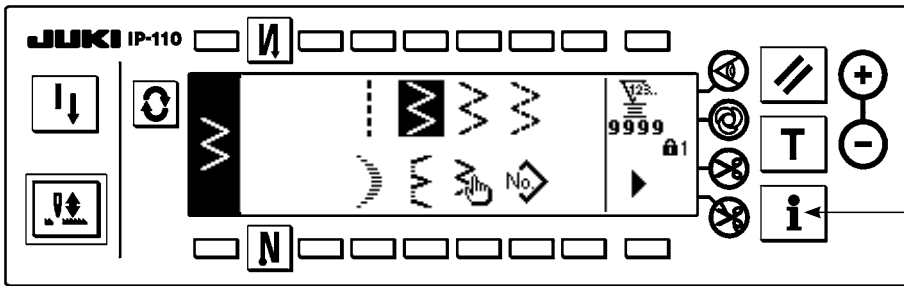
Reference of center
stitch base line



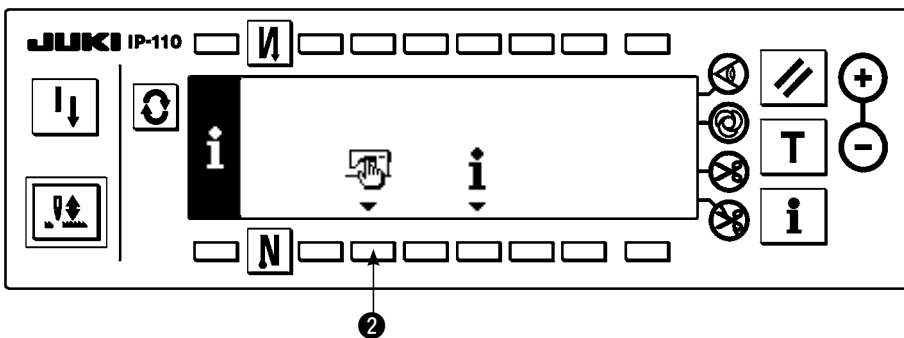
Reference of right
stitch base line



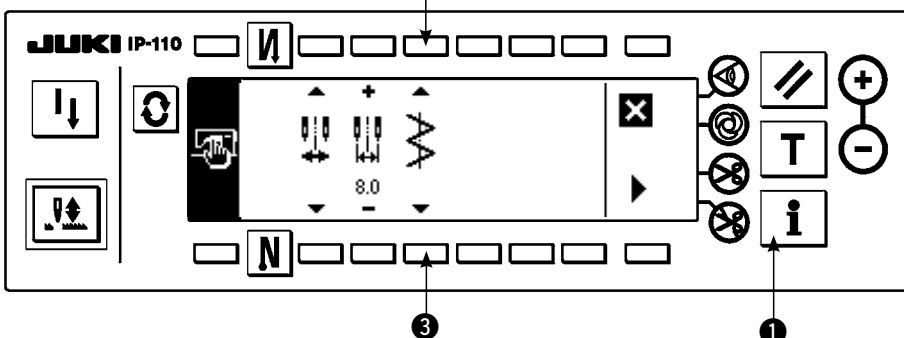
How to set



- 1) Press switch ①.



- 2) Press switch ②.



- 3) Figure on the left side shows the reference of center stitch base line. Every time switch ③ is pressed, reference of left stitch base line, that of right stitch base line and that of center stitch base line are changed over and set alternately.



Reference of left
stitch base line



Reference of center
stitch base line




Reference of right
stitch base line

- 4) Press switch ④ and the screen returns to the previous one.

6-3. Basic screen

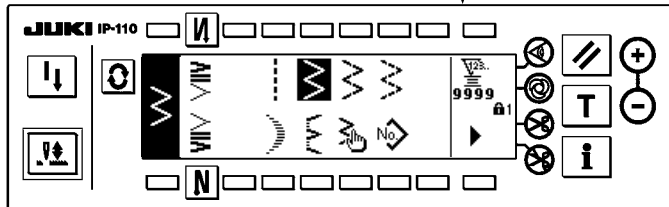
The screen after turning ON the power source becomes the screen at the time of turning OFF the power source for the last time.


Every time  switch is pressed, the screen changes as follows :


Example) Free stitching of 2-step zigzag with reverse feed stitching (Contents of display change depending on the set values.)

■ Sewing shape list first screen

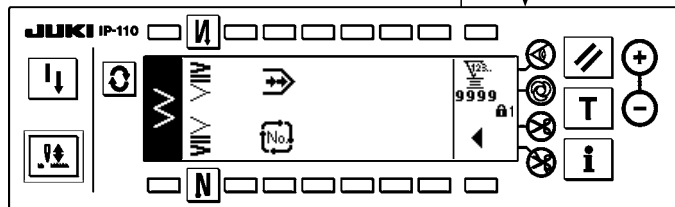
Selection of each shape is performed.




Press .

Press .

■ Sewing shape list second screen

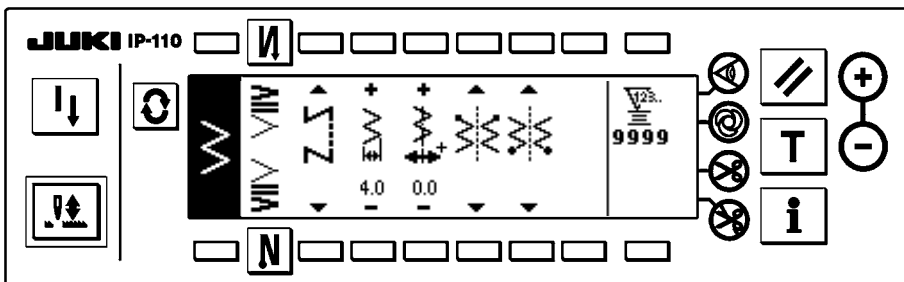


Press .

* Free stitching means the general sewing.

■ Sewing shape setting screen

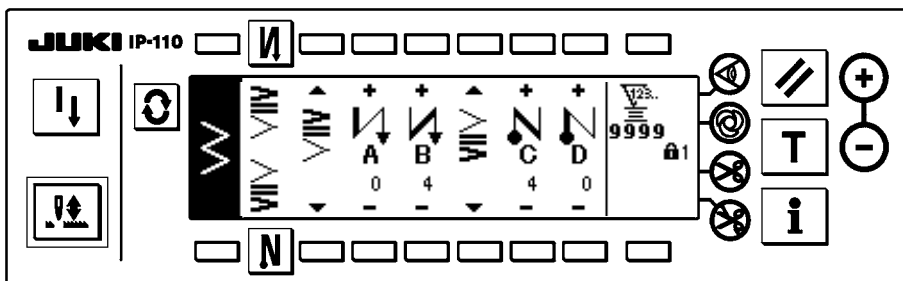
Setting of zigzag width, position of stitch base line, etc. is performed.



Press .


■ Reverse feed stitching setting screen

Setting of kind of condensation, number of stitches, etc. is performed.



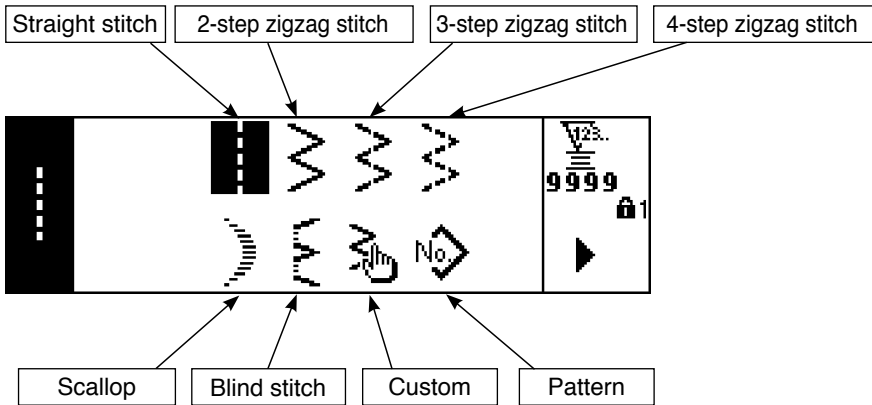
Press .



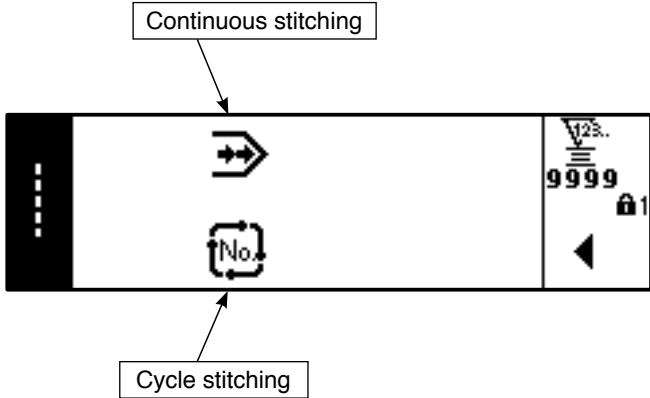
When  is pressed for approximately three seconds in a screen other than the sewing shape list screen, the screen directly transits to the sewing shape list screen.

6-4. List of the display pictographs of each screen

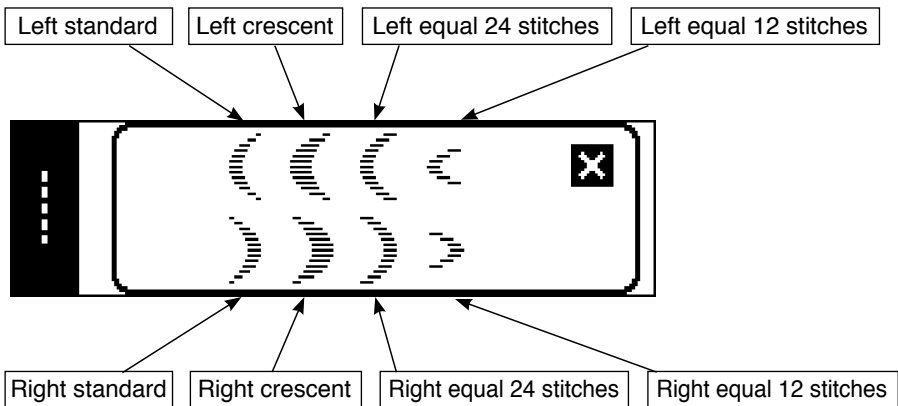
■ Sewing shape list first screen



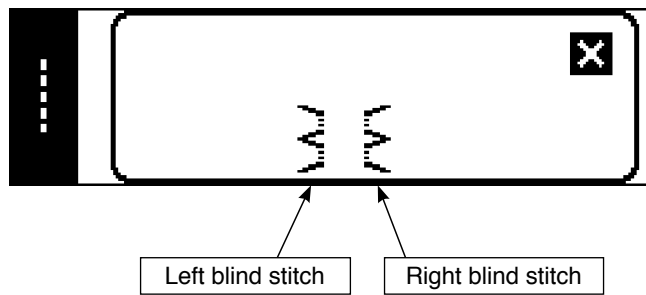
■ Sewing shape list second screen



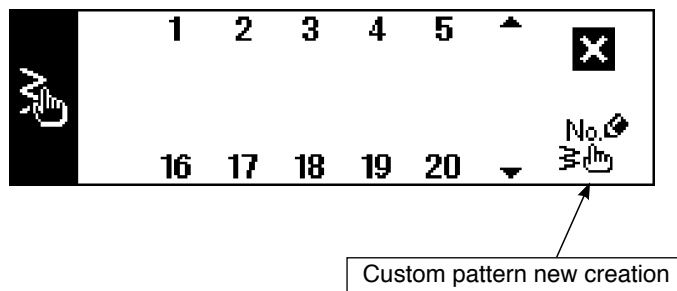
■ Scallop selection pop-up screen



■ Blind stitch selection pop-up screen

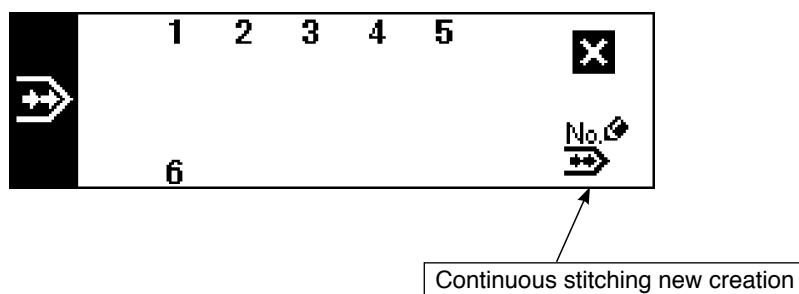


■ Custom pattern selection pop-up screen



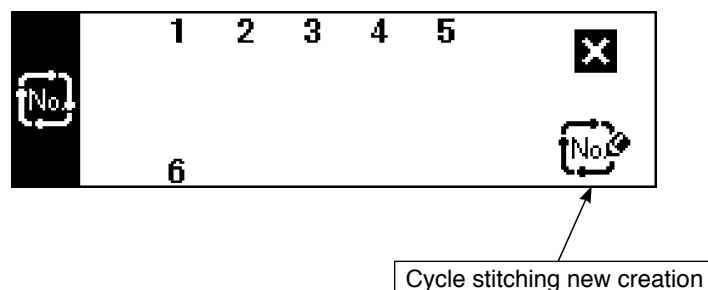
Custom pattern new creation

■ Continuous stitching selection pop-up screen



Continuous stitching new creation

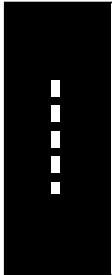



■ Cycle stitching selection pop-up screen



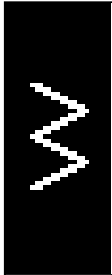




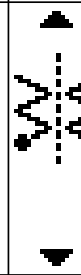

Cycle stitching new creation

The key lock level has been set to "1" at the time of delivery, and pictographs of new creation are not displayed. When performing new creation in each mode, change the key lock level to "0". (Refer to the second screen of sewing common data setting of (1) Sewing common data of 6-15. Information.)
In addition, the display of pattern No. at the time of delivery is "1" only.

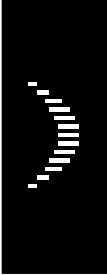












■ Straight stitch sewing shape setting screen

	Kind of sewing	Position of stitch base line	
		 0.0	 Pattern register
	Free stitching	- 5.0	
	Programmed stitching	to	
	Overlapped stitching	5.0	

■ Sewing shape setting screen of 2-step zigzag stitch/3-step zigzag stitch/4-step zigzag stitch

	Kind of sewing	Zigzag width	Position of stitch base line	Position at sewing start	Position at sewing end	
		 4.0	 0.0			 Pattern register
	Free stitching	0	- 5.0	Optional	Optional	
	Programmed stitching	to	to	Right	Right	
	Overlapped stitching	10.0	5.0	Left	Left	

■ Scallop sewing shape setting screen

	Kind of sewing	Zigzag width	Position of stitch base line	Position at sewing start Root • Crest	Position at sewing end Root • Crest	Stop position
		 8.0	 0.0			 9999 No. 9
	 Free stitching	0	- 5.0	Root	Optional	Optional
	 Programmed stitching	to 10.0	to 5.0	Crest		Root
	 Overlapped stitching				 Right  Left	

Pattern register

* Stop position is displayed when the position at sewing end is optional.

Blind stitch sewing shape setting screen

	Kind of sewing	Zigzag width	Position of stitch base line	Number of stitches	
		+	+	+	<p>9999</p> <p>No.</p>
		3.0	0.0	4	
	Free stitching	0	- 5.0	3	
	Programmed stitching	to	to	to	
Overlapped stitching	10.0	5.0	250		

Pattern register

Custom pattern sewing shape setting screen

	Kind of sewing	Zigzag width	Position of stitch base line		
		+	+	<p>9999</p> <p>No.</p>	<p>No.</p> <p>Pattern register</p> <p>Copy</p> <p>Deletion</p>
		8.0	0.0		
	Free stitching	0	- 5.0		
	Programmed stitching	to	to		
Overlapped stitching	10.0	5.0			

Custom pattern needle entry image

Edit screen display

Pattern register Copy, and deletion screen

■ Custom pattern edit screen

	Step	Zigzag position input	Feed direction Normal • Reverse	Custom pattern needle entry image	Last needle entry input
	+	+			
	-	1	0.0		
	1	-5.0	Normal		
	to	to			
	500	5.0	Reverse		

■ Pattern sewing shape setting screen

	Sewing shape	Kind of sewing	Display of contents depends on shape. Refer to each shape.	
		Free stitching		
		Overlapped stitching		

Selection of sewing shape

- Straight stitch
- 2-step zigzag stitch
- 3-step zigzag stitch
- 4-step zigzag stitch
- Scallop (8 kinds)
- Blind stitch (Right and Left)
- Custom (1 to 20)

■ Continuous stitching setting screen

	Zigzag width	Position of stitch base line	Step	Pattern No.	Number of stitches	
	4.0	0.0	1		500	
	0.0	-5.0	1			
	to	to	to			
	10.0	5.0	20			

Edit screen display

Copy and deletion screen

No.

Copy

Deletion

■ Continuous stitching edit screen

	Step	Pattern No.	Sewing shape	Number of stitches	
	1			500	
	1	1		0	
	to	to		to	
	20	99		500	

Determination

* For the sewing shape, the shape which has been registered in the pattern is displayed.

* Number of stitches cannot be set to "0". (Determination switch prohibition)

■ Cycle stitching setting screen

	Step	Pattern No.	Number of stitches	Stop state	Position of presser foot	
	+	+	+	▲	▲	
	S	3	500	↓	↓	
	-	-	-	▲	▲	

Edit screen display

Copy and deletion screen

Copy

Deletion

- * Stop state is not displayed when the number of stitches is Σ (0 stitch).
- * Position of presser foot is displayed except the case where the number of stitches is Σ (0 stitch) with the auto-lifter.
- * Presser lifting time is displayed when the position of presser foot is UP stop.

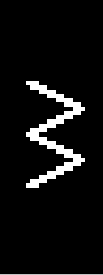


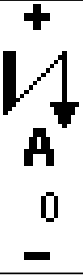


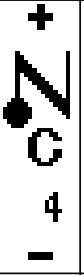

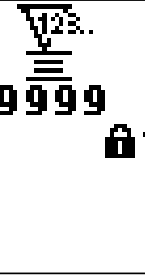




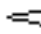






■ Cycle stitching edit screen

	Step	No.	Number of stitches	Stop state	Position of presser foot	Presser lifting time	
	+	+	+	▲	▲	+	
	S	3	500	↓	↓	60.0	
	-	-	-	▲	▲	-	
	1	Pattern No. 1 to 99	Σ (0 stitch) to 500	Needle DOWN stop	Presser foot UP stop	0.1	
	to 20	Continuous stitching No. 1 to 20		Thread trimming	Presser foot DOWN stop	to 99.9	
				Needle UP stop			

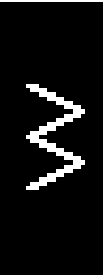


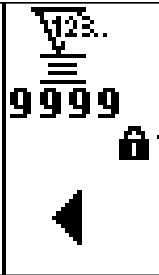
Determination

- * Stop state is not displayed when the number of stitches is Σ (0 stitch).
- * Position of presser foot is displayed except the case where the number of stitches is Σ (0 stitch) with the auto-lifter.
- * Presser lifting time is displayed when the position of presser foot is UP stop.

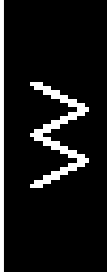



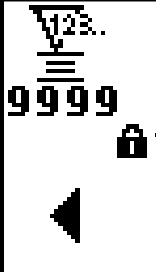



■ Reverse stitching setting first screen

	Reverse stitching at sewing start With/without	Sewing start			Sewing end			
		Selection of kind	Process A	Process B	Selection of kind	Process C	Process D	
								
	Reverse stitching at sewing start With/without	 Normal	0 to 19	0 to 19	 Normal	0 to 19	0 to 19	
		 Custom			 Custom			
		 2-point	0 to 19	0 to 19	 2-point	0 to 19	0 to 19	



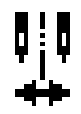
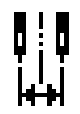

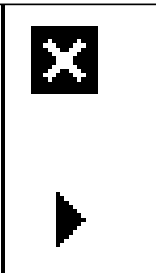

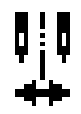
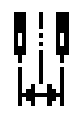







■ Reverse stitching setting second screen (2-point condensation)

	Width adjustment at sewing start	Width adjustment at sewing-end	
			
	0.0 to -5.0	0.0 to -5.0	

■ Reverse stitching setting second screen (Condensation custom)

		Width adjustment at sewing start	Width adjustment at sewing end		
		 +	 +		
		 4.0	 4.0		
		0.0 to 10.0	0.0 to 10.0		

■ Sewing common data setting first screen (When max. zigzag width limitation is set in the center)

		Limiting procedure of max. zigzag width limitation	Max. zigzag width limitation value	Reference of stitch base line		
			 +			
		 8.0	 8.0			
		Center	0.0 to 10.0	 Center		
				 Left		
				 Right		
						

*When the limiting procedure of max. zigzag width limitation is set to “Left/Right”, the display of max. zigzag width limitation value is separately indicated left and right.

■ Sewing common data setting first screen (When limiting procedure of max. zigzag width limitation is set to left/right)

	Limiting procedure of max. zigzag width limitation	Specifying left position	Specifying right position	Reference of stitch base line	
	Left/Right	0.0 to 10.0	0.0 to 10.0	Center Left	
	Center			Right	

* When the limiting procedure of max. zigzag width limitation is set to “Center”, the display of max. zigzag width limitation value becomes that of symmetrical in the center.

■ Sewing common data setting second screen

	Mirror function setting	Condensation custom stitch base line	Counter function	Key lock	Max. zigzag width limitation when turning ON the power	
	1 pattern	Interlocking	ON	Level 1	Display	
	Continuous	Fixed	OFF	Level 2	Non-display	

6-5. Setting the sewing pattern



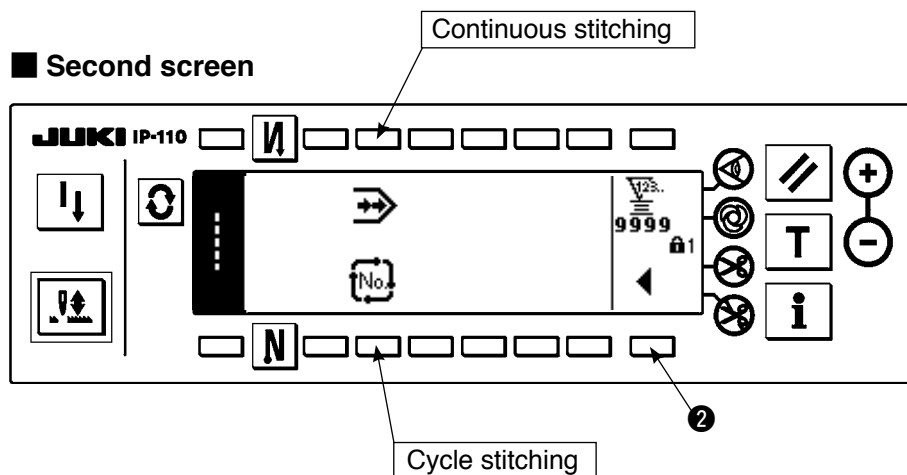
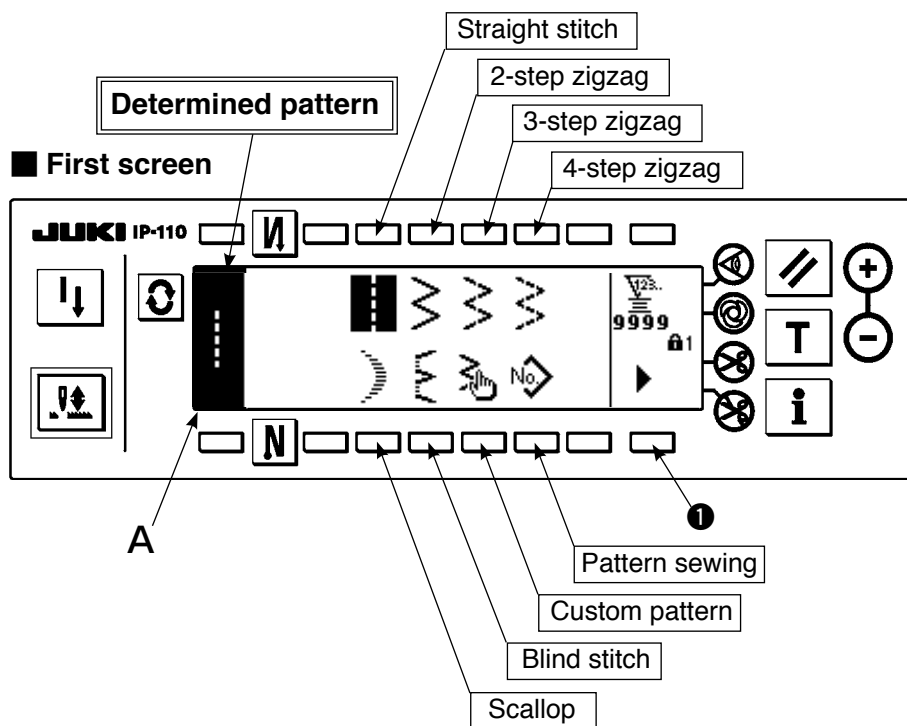
WARNING :

Be sure to check presser foot and gauge currently being used before sewing after changing the zigzag pattern or zigzag width. In case where sewing is performed with the presser foot or gauge not matching the zigzag width, it is in danger of accident such as needle breakage or the like.

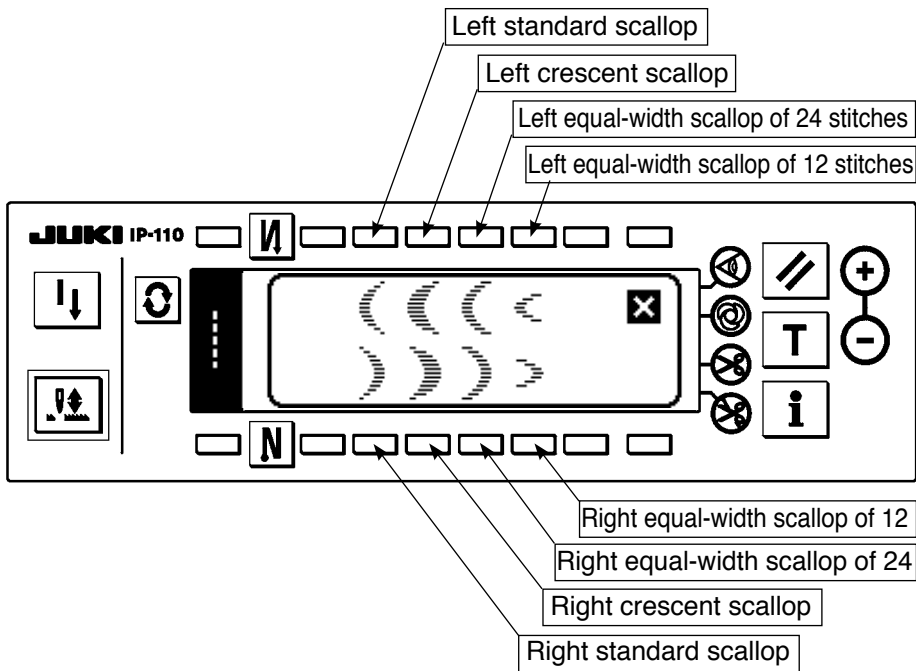
(1) Selecting the zigzag pattern

① : When ► is pressed, the second screen is displayed.

② : When ◀ is pressed, the first screen is displayed.



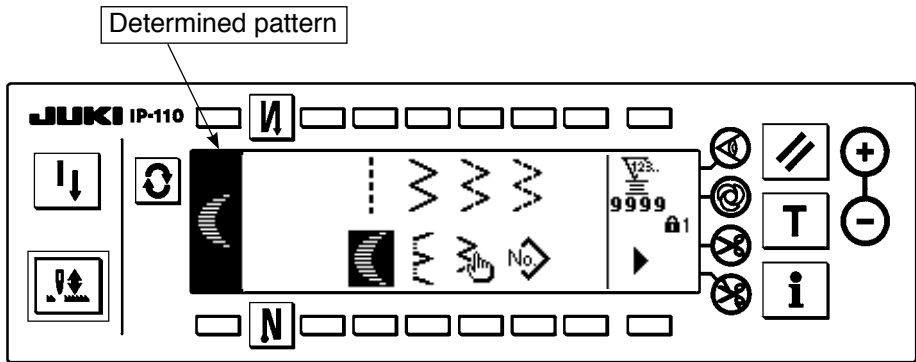
- 1) Select the zigzag pattern you desire to sew with the selection switch when the figure above is in the screen. The determined pattern is displayed in section A.
- 2) For scallop and blind stitch, select the shape with the next screen.



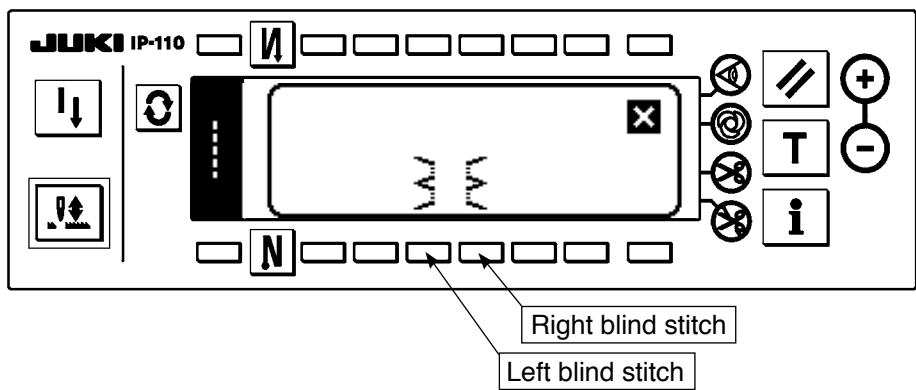
In case of the scallop

- 1) Press the scallop key and the screen on the left side appears.

Press the pattern switch you desire to select.



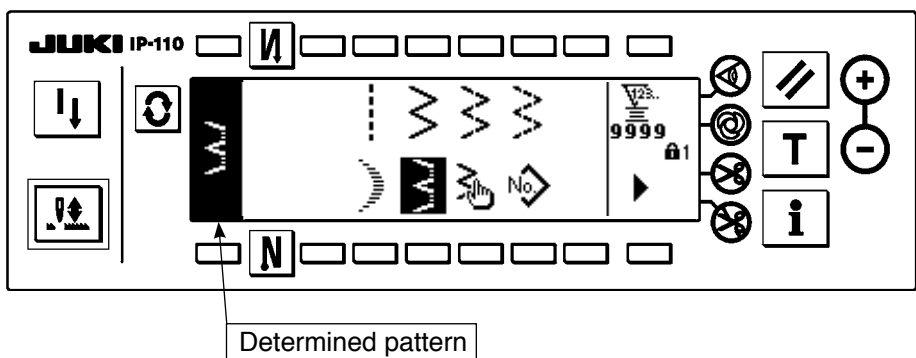
- 2) As an example, press the crescent scallop key and the screen on the left side appears to determine the pattern.



In case of the blind stitch

- 1) Press the blind stitch key and the screen on the left side appears.

Press the pattern switch you desire to select.



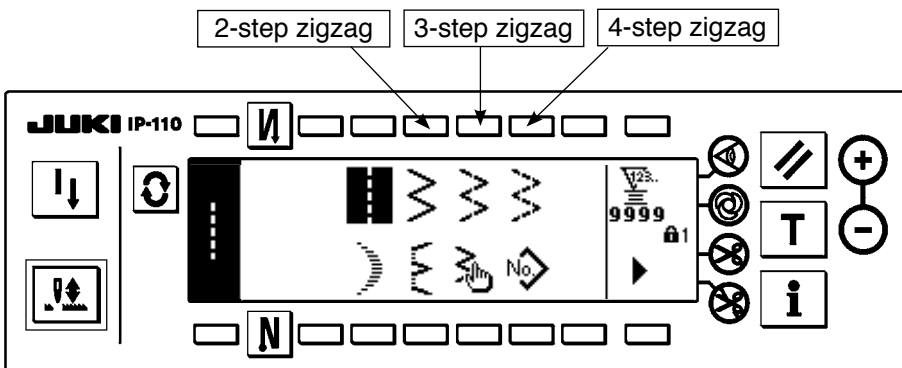
- 2) As an example, press the left blind stitch key and the screen on the left side appears to determine the pattern.

6-6. Setting of the sewing shape

- Zigzag width can be set from “0” to 10 mm. (Set value is limited by the max.zigzag width limitation.)
- Stitch base line can be set as follows. When the center of zigzag is “0.0”, Right side : “+” Left side : “-”.

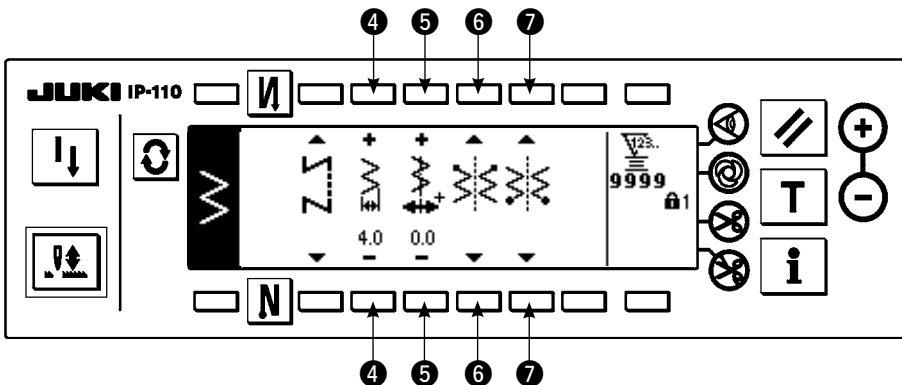
(1) 2-step zigzag, 3-step zigzag and 4-step zigzag stitch

■ Sewing shape list first screen



- 1) Select 2-step (3-step or 4-step) zigzag stitch in the sewing shape list first screen.
- 2) The selected shape reverses and is displayed on the left end of the screen.
- 3) Press to display the sewing shape setting screen.

■ Sewing shape setting screen



Setting of the zigzag width

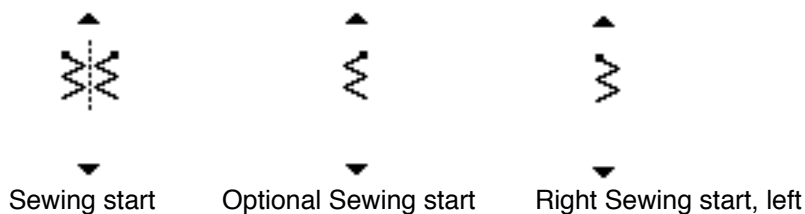
Change the zigzag width with +/- of switch **4**.

Setting of the position of stitch base line

Change the position of stitch base line with +/- of switch **5**.

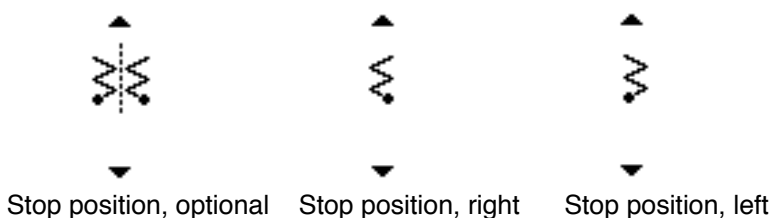
Setting of the position of sewing start

Set the position of sewing start with ▲/▼ of switch **6**.



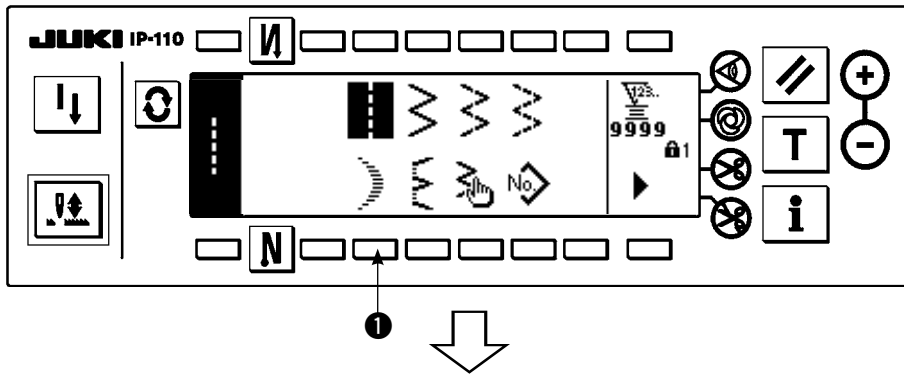
Setting of the stop position

Set the stop position with ▲/▼ of switch **7**.



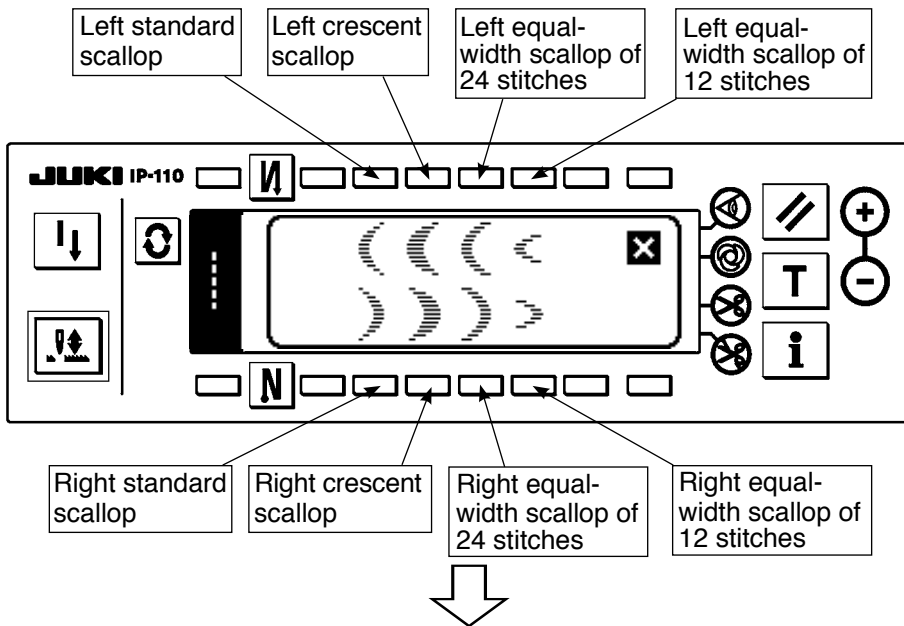
(2) Scallop stitching

■ Sewing shape list first screen



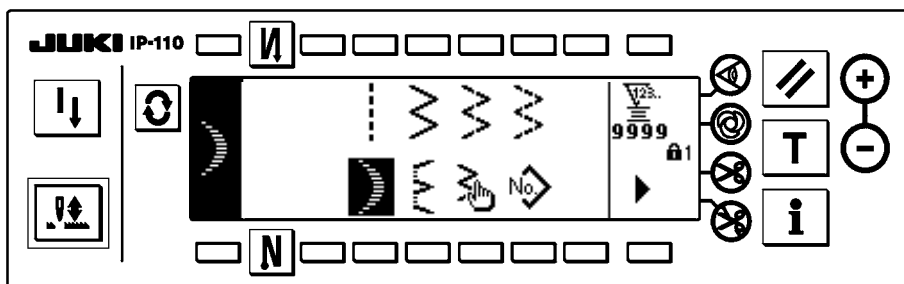
- 1) Select scallop stitching ❶ in the sewing shape list first screen.


■ Scallop selection pop-up screen



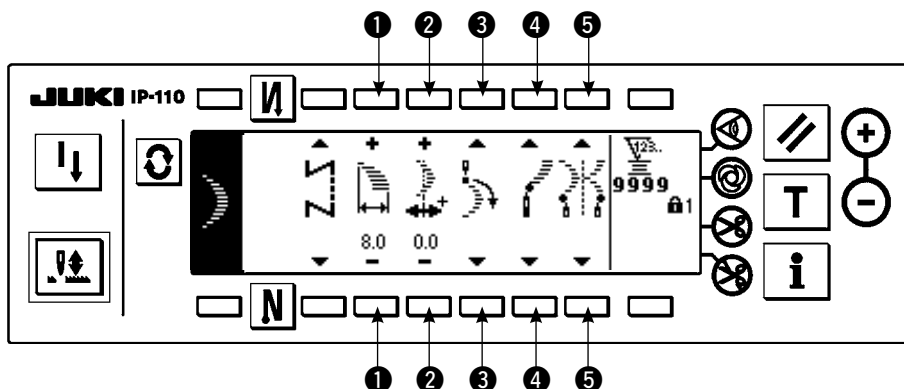
- 2) Press the switch of pattern to be selected from the screen of the left figure.

■ Sewing shape list first screen



- 3) The selected shape reverses and is indicated on the left end of the screen.
- 4) Press  to display the sewing shape setting screen.

■ Sewing shape setting screen



Setting of the zigzag width

Change the zigzag width with +/- of switch ❶.

Setting of the position of stitch base line

Change the position of stitch base line with +/- of switch ❷.

Setting of the position of sewing start

Set the position of sewing start with ▲ / ▼ of switch ③.

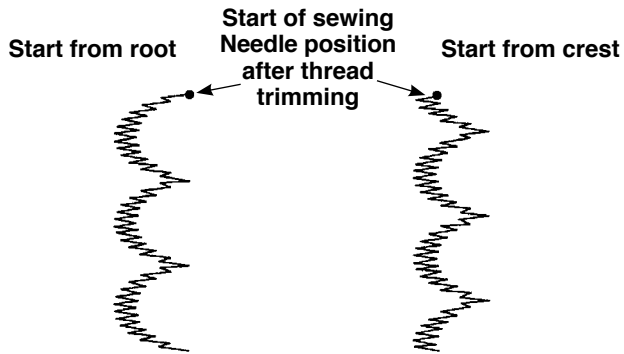


Sewing start, root



Sewing start, crest

● Start from crest and start from root of scallop



Normally, scallop starts the sewing with the pattern of start from root. However, start from crest can be selected by changing the setting.

Setting of the stop position right/left

Set the stop position with ▲ / ▼ of switch ④.



Stop position, optional



Stop position, right



Stop position, left

Setting of the stop position

Set the stop position with ▲ / ▼ of switch ⑤.



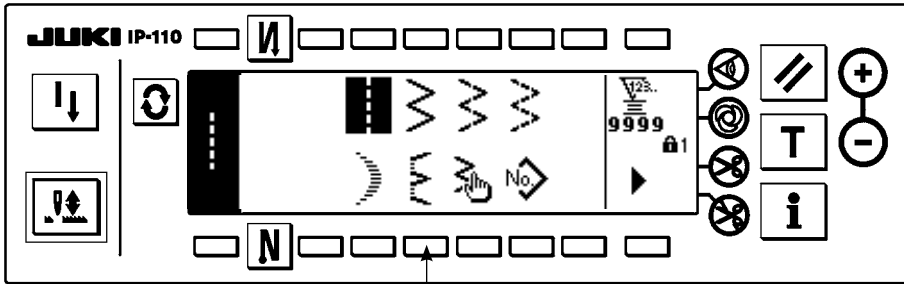
Stop position, optional



Stop position, root

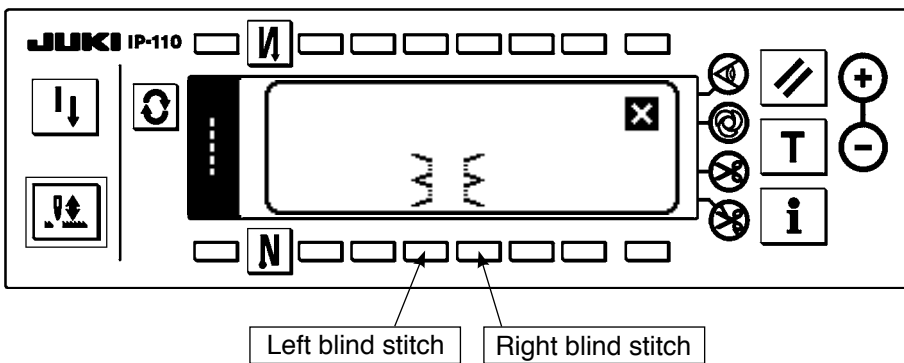
(3) Blind stitch sewing

■ Sewing shape list first screen



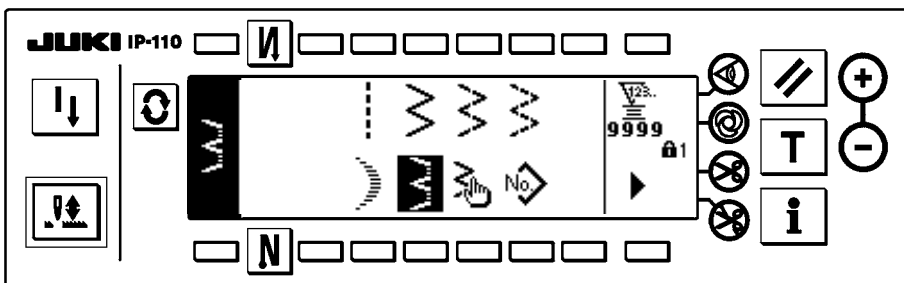
- 1) Select the blind stitch sewing in the sewing shape list first screen.


■ Blind stitch selection pop-up screen



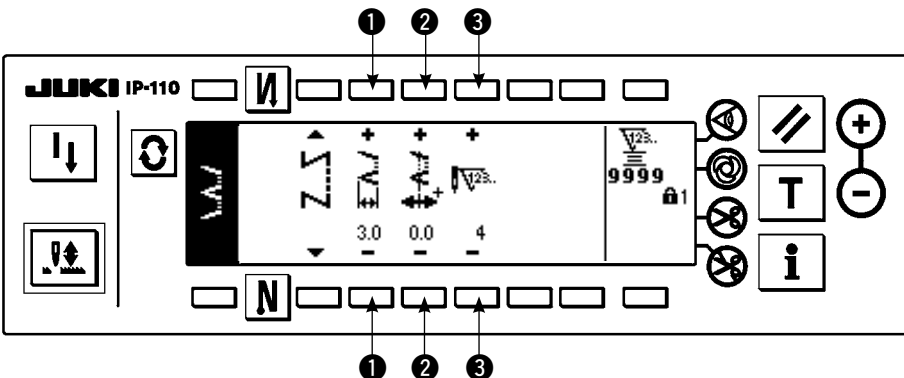
- 2) Press the switch of pattern to be selected from the screen of the left figure.

■ Sewing shape first screen



- 3) The selected shape reverses and is indicated on the left end of the screen.
- 4) Press  to display the sewing shape setting screen.

■ Sewing shape setting screen



Setting of the zigzag width

Change the zigzag width with +/- of switch ①.

Setting of the position of stitch base line

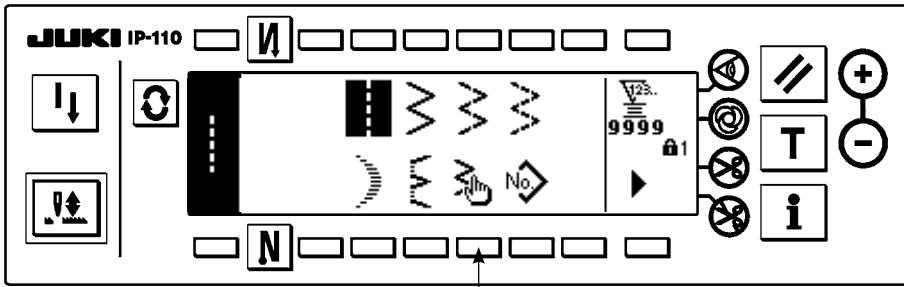
Change the position of stitch base line with +/- of switch ②.

Change of the number of stitches

Change the number of stitches with switch ③.

(4) Custom pattern stitching

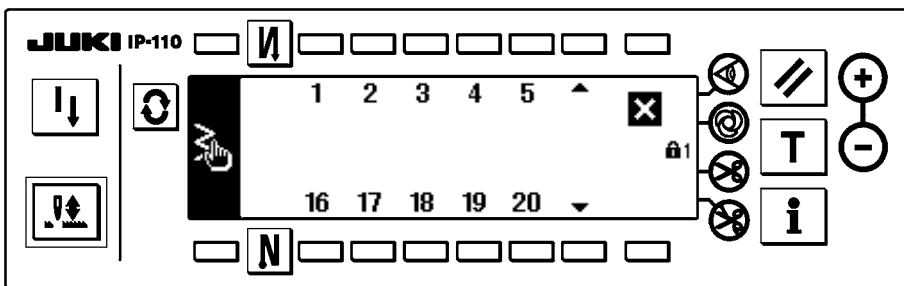
■ Sewing shape list first screen



- 1) Select custom pattern ① in the sewing shape list first screen.



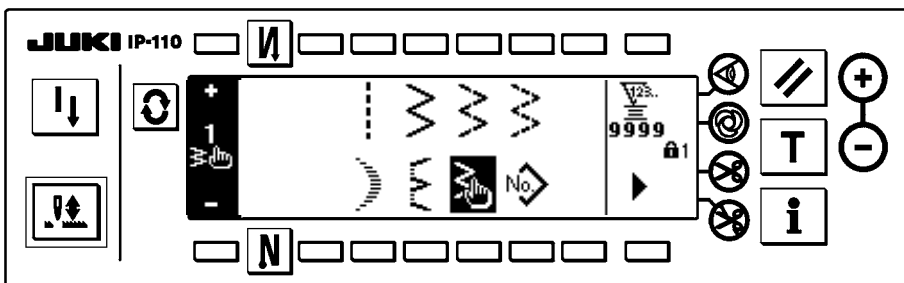
■ Custom pattern selection pop-up screen




- 2) Press the custom pattern No. to be selected.

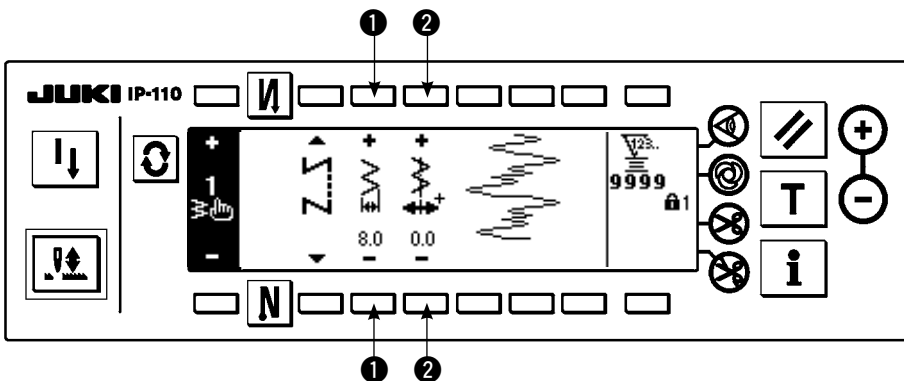


■ Sewing shape list first screen



- 3) The selected shape reverses and is indicated on the left end of the screen.
- 4) Press  to display the sewing shape setting screen.

■ Sewing shape setting screen




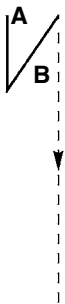
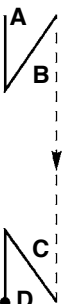



Setting of the zigzag width

Change the zigzag width with +/- of switch ①.

Setting of the position of stitch base line

Change the position of stitch base line with +/- of switch ②.

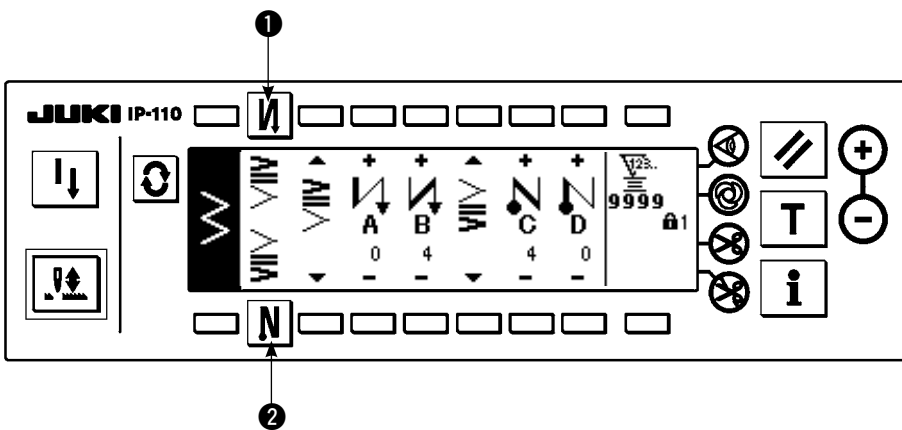
6-7. Reverse feed stitching

 ①	OFF	ON	OFF	ON
Sewing pattern				
				
 ②	OFF	OFF	ON	ON

Reverse feed stitching can be set with each zigzag pattern.

Effective/ineffective of reverse feed stitching can be set by pressing reverse feed stitch at sewing start switch ① and reverse feed stitch at sewing end switch ②. In case the reverse feed stitching is effective, the respective shapes of the reverse feed stitching are displayed. In case of ineffective, the shape is not displayed.

Reverse feed stitching setting screen

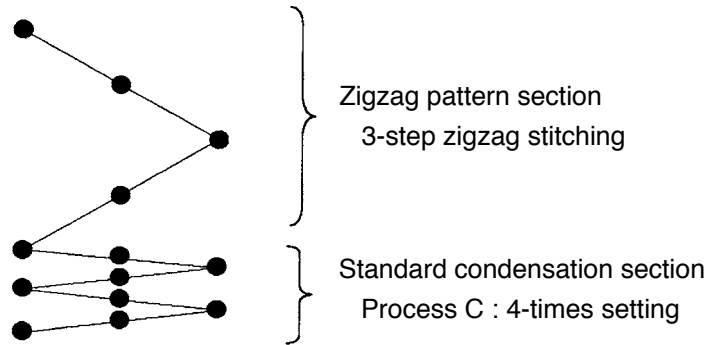


For the reverse feed stitching, there are standard condensation, 2-point condensation and condensation custom.


(1) Standard condensation

Standard condensation performs reverse feed stitching at the same needle entry as that of the selected zigzag pattern.

Example) Reverse feed stitching at sewing end

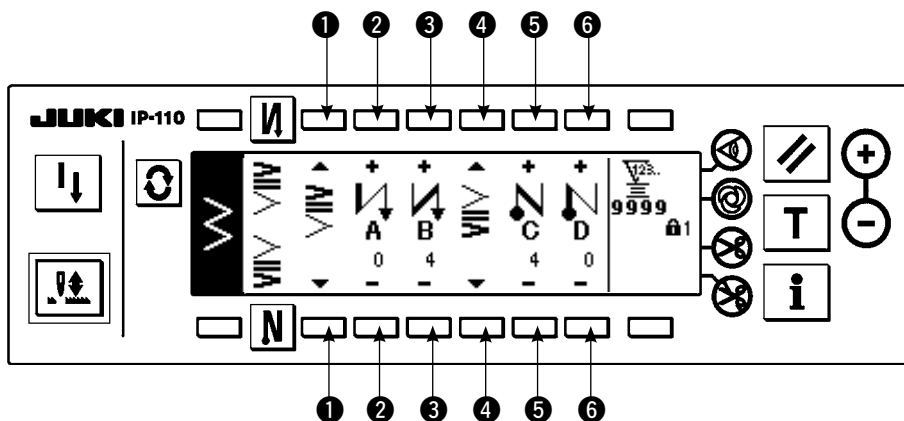


Example) In case of free stitching of the 2-step zigzag stitch

- 1) Press  to display reverse feed stitching setting screen.
- 2) Set the shape of condensation and number of stitches.
 - ① : Select the shape of condensation at the sewing start.
 - ② : Set the number of stitches of process A with “+” and “-”.
 - ③ : Set the number of stitches of process B with “+” and “-”.
 - ④ : Select the shape of condensation at the sewing end.
 - ⑤ : Set the number of stitches of process C with “+” and “-”.
 - ⑥ : Set the number of stitches of process D with “+” and “-”.

Display section of ① and ④ : Standard condensation, 2-point condensation and condensation custom (20 patterns) are changed over and displayed.

■ Reverse feed stitching setting (standard condensation) screen



* For the reverse feed stitching setting, there are two kinds of methods below according to the zigzag patterns.

1) In case of straight stitch, scallop stitch, blind stitch, custom and continuous stitch, set the reverse feed stitching with the number of stitches.

Reverse feed stitching at sewing start → A (feed in normal direction) : 0 to 19 stitches can be set. ②

B (feed in reverse direction) : 0 to 19 stitches can be set. ③

Reverse feed stitching at sewing end → C (feed in reverse direction) : 0 to 19 stitches can be set. ⑤

D (feed in normal direction) : 0 to 19 stitches can be set. ⑥

* The pictures in case of straight stitching are ① sewing start  and ④ sewing end .

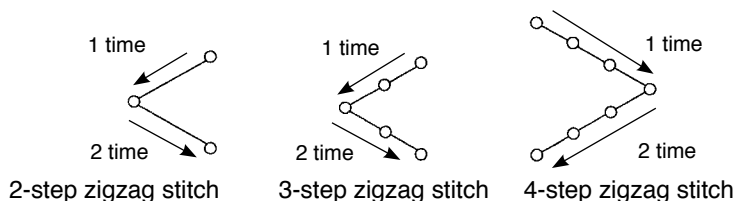
2) In case of 2-step zigzag, 3-step zigzag and 4-step zigzag, set the reverse feed stitching with the number of times of zigzag pattern. Zigzag pattern means the space between the returning points of zigzag.

Reverse feed stitching at sewing start → A (feed in normal direction) : 0 to 19 times can be set. ②

B (feed in reverse direction) : 0 to 19 times can be set. ③

Reverse feed stitching at sewing end → C (feed in reverse direction) : 0 to 19 times can be set. ⑤

D (feed in normal direction) : 0 to 19 times can be set. ⑥

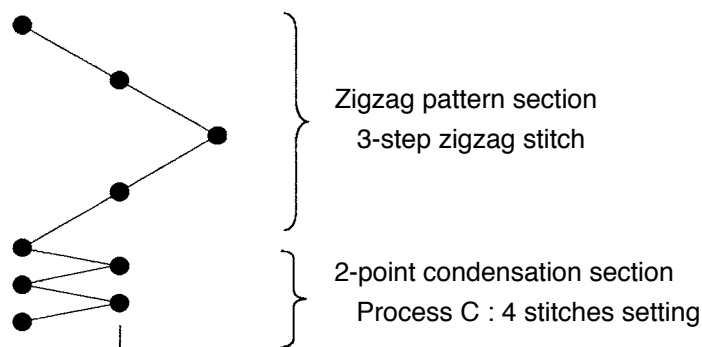


(2) 2-point condensation

2-point condensation performs reverse feed stitching of two points between the existing needle entry of the selected zigzag pattern and the next needle entry.


The width between two points can be adjusted in the direction of “-”.

Example) Reverse feed stitching at sewing end



Compensation can be performed in the direction of “-”. (In case of the figure, the width narrows to the left side.)

Example) In case of free stitching of the standard zigzag stitch

1) Press  to display reverse feed stitching setting screen.

2) Set the shape of condensation and number of stitches with the first screen.

① : Select the shape of condensation at the sewing start.

② : Set the number of stitches of process A with “+” and “-”. 0 to 19 stitches can be set.

③ : Set the number of stitches of process B with “+” and “-”. 0 to 19 stitches can be set.

④ : Select the shape of condensation at the sewing end.

⑤ : Set the number of stitches of process C with “+” and “-”. 0 to 19 stitches can be set.

⑥ : Set the number of stitches of process D with “+” and “-”. 0 to 19 stitches can be set.

Display section of ① and ④ : Standard condensation, 2-point condensation and condensation custom (20 patterns) are changed over and displayed.

3) Set 2-point condensation width adjustment with the second screen. (Width can be narrowed up to max. – 5 mm.)

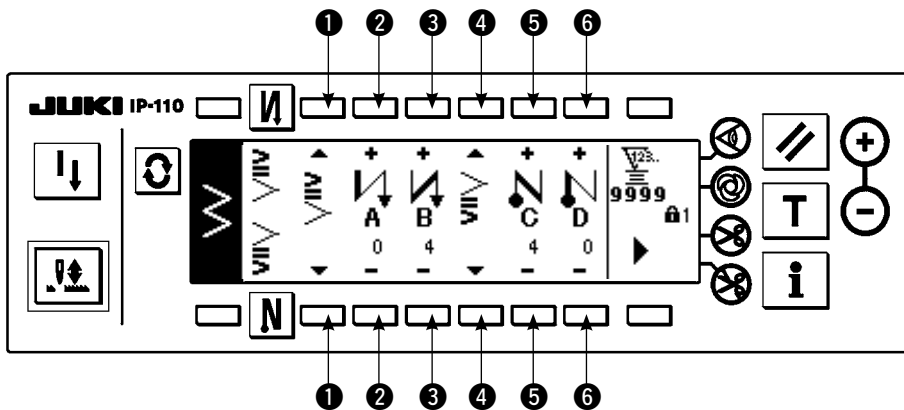
⑦ : Set 2-point condensation width adjustment at the sewing start.


⑧ : Set 2-point condensation width adjustment at the sewing end.

* 2-point condensation width adjustment can narrow the width from the first needle entry position to the next needle entry position when performing the reverse feed stitching. (When set value is “0”, there is no compensation.)

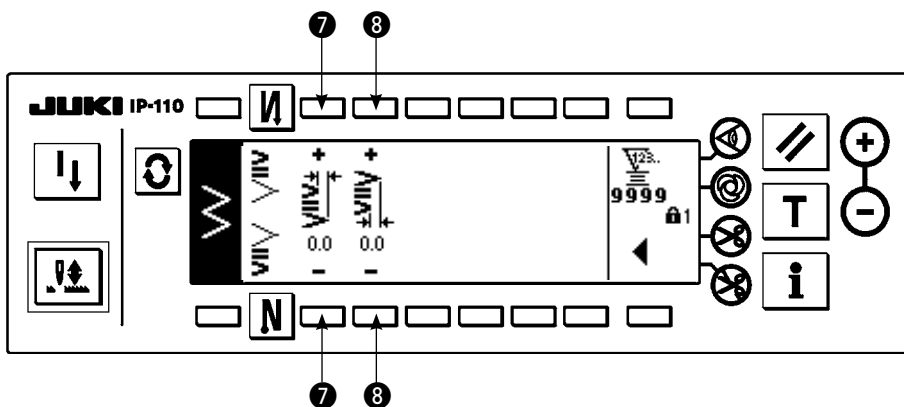
* When the width adjustment is performed, the width between 2 points can be narrowed and the fray of thread is lessened.

■ The first screen of reverse feed stitching setting (2-point condensation)



Press  to display the second screen.

■ The second screen of reverse feed stitching setting (2-point condensation)



Press  to display the first screen.

(3) Condensation custom

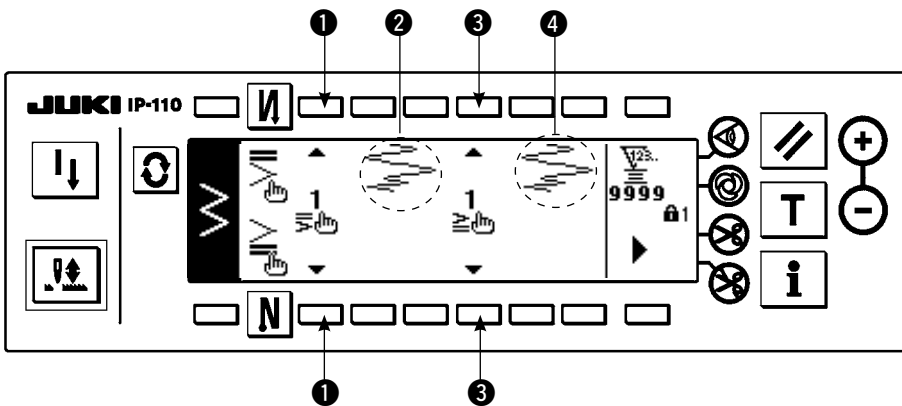
Condensation custom performs reverse feed stitching with the optional needle entry which has been inputted.


- 1) Select the shape of condensation with the first screen.
 - ① : Select the shape of condensation at the sewing start.
 - ③ : Select the shape of condensation at the sewing end.
 - ②, ④ : Needle entry position is displayed.
- 2) Set the width of condensation custom pattern with the second screen.
 - ⑤ : Set the width of condensation custom pattern at the sewing start.
 - ⑥ : Set the width of condensation custom pattern at the sewing end.

* Separately set inputted zigzag width of condensation custom from that of normal sewing section. Set the width within the range of maximum zigzag width limitation.


* By setting the width, the needle entry differs from actually inputted needle entry position.

■ The first screen of reverse feed stitching setting (condensation custom)

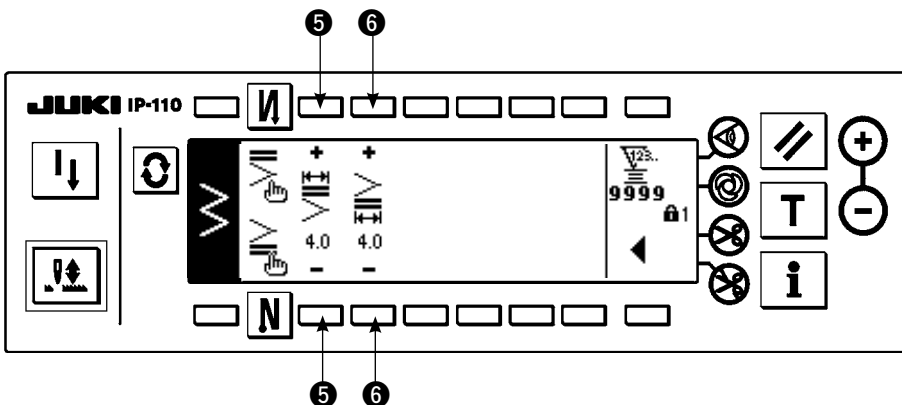


Press  to move the screen to the edit screen.

* For the editing procedure, refer to "6-10. Condensation custom".




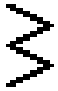














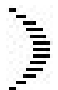



Press  to display the second screen.

■ The second screen of reverse feed stitching setting (condensation custom)



Press  to display the first screen.

(4) Comparison table of the reverse stitch of each shape

	Standard condensation		2-point condensation		Condensation custom	
	Sewing start	Sewing end	Sewing start	Sewing end	Sewing start	Sewing end
 Straight stitch						
 2-step zigzag stitch	 	 	 	 	 	 
 3-step zigzag stitch						
 4-step zigzag stitch						
 Scallop						
 Blind stitch						
 Custom						
 Continuous stitch						

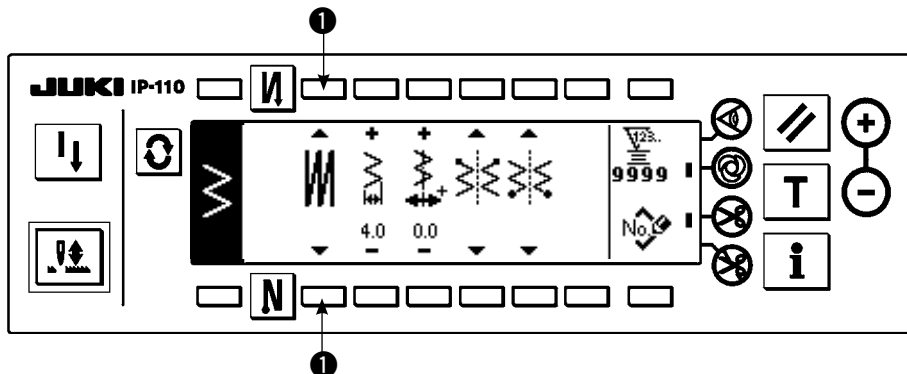
6-8. Selection of the kind of stitching

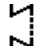




Standard delivery level of the key lock is “1”. When the level of the key lock is the case other than “0”, be sure to change the level to “0” to perform the operation below.

Example) 2-step zigzag

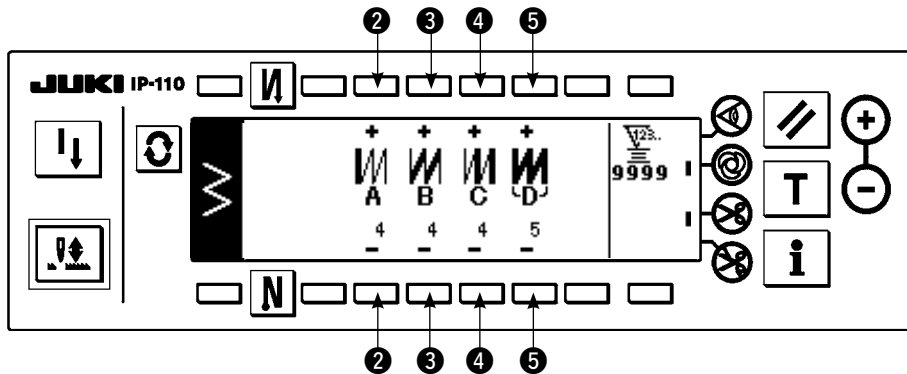
■ Sewing shape setting screen





Select the kind of stitching from among free stitching , overlapped stitching  and programmed stitching . Press switch ① of sewing shape setting screen to select the kind.

(1) Overlapped stitching

■ Overlapped stitching setting screen



- 1) Select  showing overlapped stitching with ① of sewing shape setting screen.
- 2) Press  to display overlapped stitching setting screen.
- 3) Set the number of stitches and number of processes of the respective processes in the overlapped stitching setting screen
 - ② : Set the number of stitches of process A with “+” and “-”. 0 to 19 stitches for the number of stitches of section A can be set.
 - ③ : Set the number of stitches of process B with “+” and “-”. 0 to 19 stitches for the number of stitches of section B can be set.
 - ④ : Set the number of stitches of process C with “+” and “-”. 0 to 19 stitches for the number of stitches of section C can be set.
 - ⑤ : Set the number of processes with “+” and “-”. 0 to 9 times for the number of processes can be set.
- 4) By performing depressing the front part of the pedal, the sewing machine repeats the specified number of times of normal and reverse feed stitching, performs automatic thread trimming and stops.
 - * Turn ON the thread trimming prohibition switch ON when you desire to stop the sewing machine with needle UP position without performing thread trimming after all processes have been completed.
 - * Thread trimming is performed at any occasion in case of one-shot stitching and the last of process. The one-shot stitching cannot be turned OFF.

(2) Programmed stitching

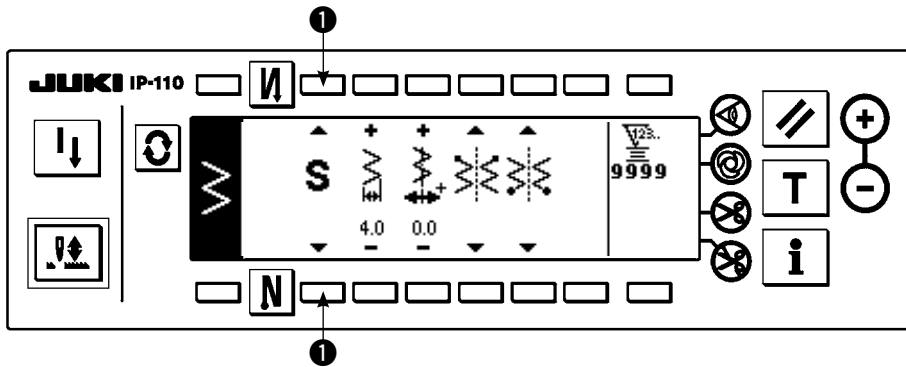
■ Programmed stitching

Programmed stitching can program the constant-dimension stitching process up to 20 steps and set the number of stitches to each step up to 500 stitches.

* For the programmed stitching, the pattern registration cannot be performed.

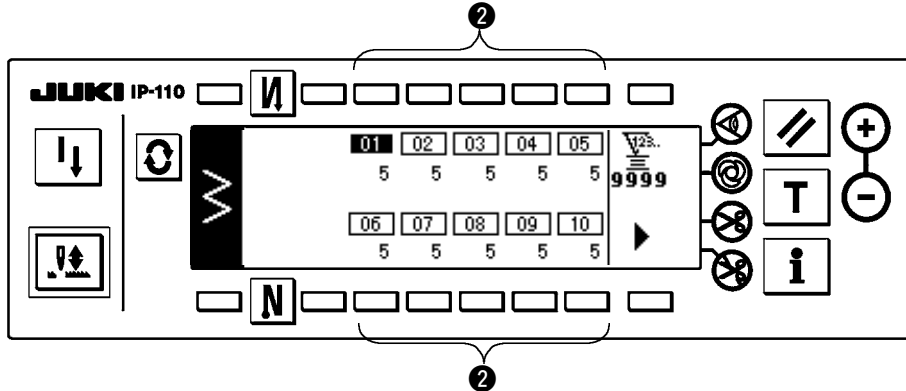
Example) 2-step zigzag

■ Sewing shape setting screen



- 1) Select **S** showing programmed stitching with ❶ of sewing shape setting screen.

■ Programmed stitching selection screen



- 2) Press **C** to display the programmed stitching setting screen.
- 3) Number of stitches of each step is displayed in the programmed stitching setting screen. Press switch ❷ corresponding to each step and the screen moves to the programmed stitching edit screen.

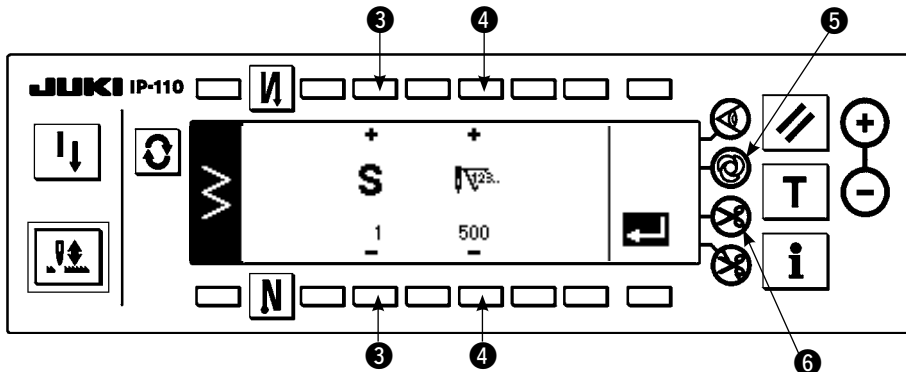
Press **▶**, in case of more than 10 steps, and programmed stitching selection screen of "11" to "20" is displayed.

Press **◀** and the screen returns to programmed stitching selection screen of "01" to "10".



When automatic thread trimming is selected, "0" is not displayed in the last step. When increasing the number of steps, proceed to the next step after releasing automatic thread trimming.

■ Programmed stitching edit screen



- 4) Set the number of stitches of each step in the programmed stitching edit screen.
 - ❸ : Set the step with "+" and "-". As many as 20 steps can be set.
 - ❹ : Set the number of stitches with "+" and "-". As many as 500 stitches can be set.
- 5) When setting of all steps has been completed, select automatic thread trimming ❺ at the last step, or set "0" stitch to the next step.

When the last step is "20", it is not necessary to set "0" stitch at the next step.
- 6) When setting is completed, press **↵** key to determine the contents of setting.



When the power source is turned OFF without pressing **↵ key, the inputted data returns to the former one. When you desire to determine the data, be sure to press **↵** key.**

■ One-shot automatic stitching

One-shot automatic stitching can be set by each step.

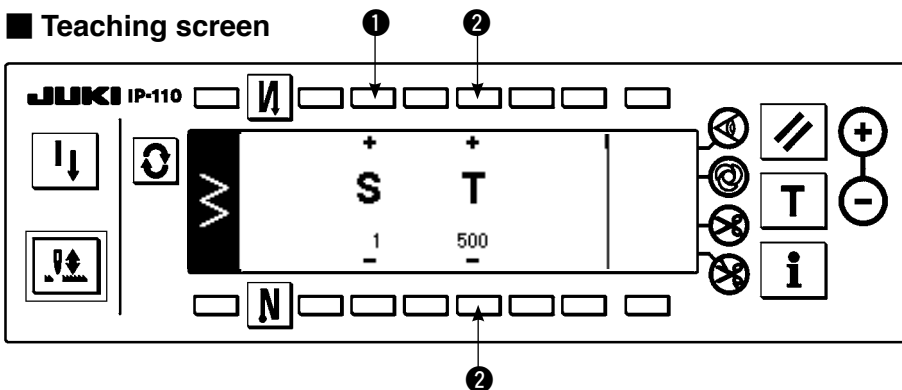
- 1) In the programmed stitching edit screen, press one-shot automatic stitching switch ⑤ to select the one-shot automatic stitching. (When it is in the selected state, a mark is displayed on the side of switch ⑤.)
- 2) In the step where the one-shot automatic stitching has been selected, the sewing machine will automatically continue sewing, once the sewing machine starts running, until the number of stitches of the step is reached.

■ Teaching

Teaching can input the number of stitches of inputting step with the number of stitches which has been actually sewn.

- 1) Press **T** switch in the programmed stitching edit screen and the teaching mode is selected.
- 2) Depress the front part of the pedal to sew until the last stitch of the step is reached.
 - * At this time, input of number of stitches cannot be performed by turning handwheel by hand or using needle up/down compensating switch.
- 3) Stop the sewing machine with the pedal in the neutral position and the number of stitches which has been sewn is displayed on ②.
 - ① : Set the step with "+".
 - ② : Number of stitches which has been sewn can be corrected by hand with "+" and "-".
- 4) Make the step of ① proceed to the subsequent step or make the sewing machine perform thread trimming. Then the input of the number of stitches for the step is completed.

■ Teaching screen



6-9. Custom pattern



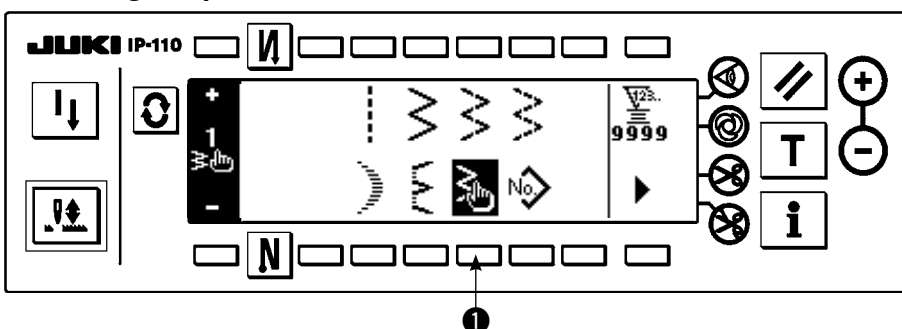
Standard delivery level of the key lock is "1". When the level of the key lock is the case other than "0", be sure to change the level to "0" to perform the operation below.


Free needle entry position can be specified and optional zigzag pattern can be created.

As many as 20 patterns can be created and as many as 500 stitches of each pattern can be inputted.

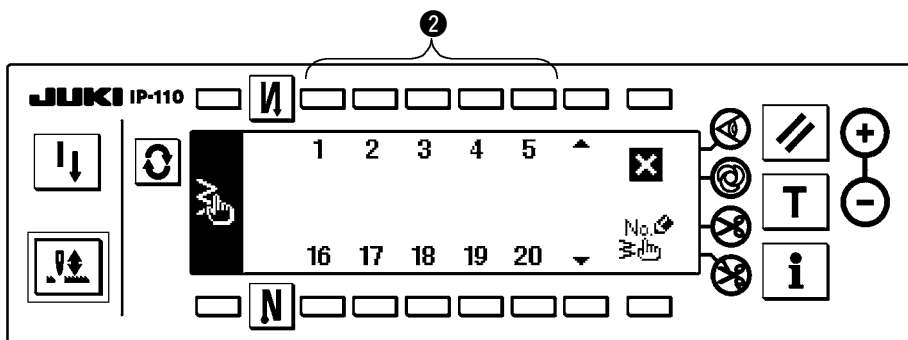
(1) Custom pattern setting

■ Sewing shape list screen



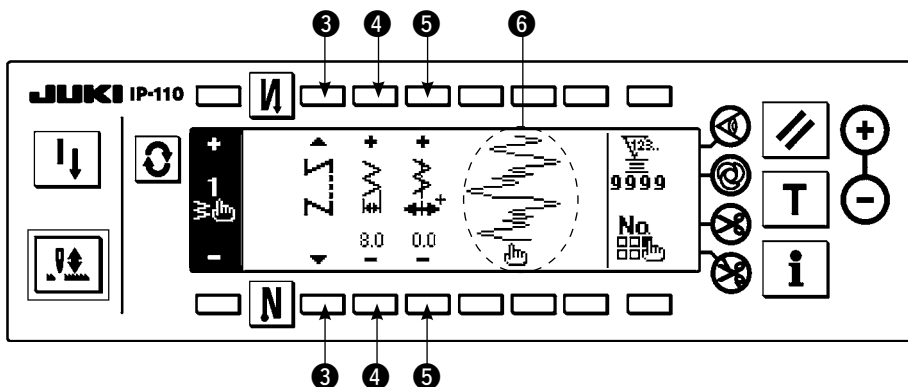
- 1) Press switch ① of  in the sewing shape list screen.


■ Custom pattern selection pop-up screen



2) Press switch **2** corresponding to the pattern which has been registered in the custom pattern selection pop-up screen.

■ Sewing shape setting screen



3) Press  to display the sewing shape setting screen.

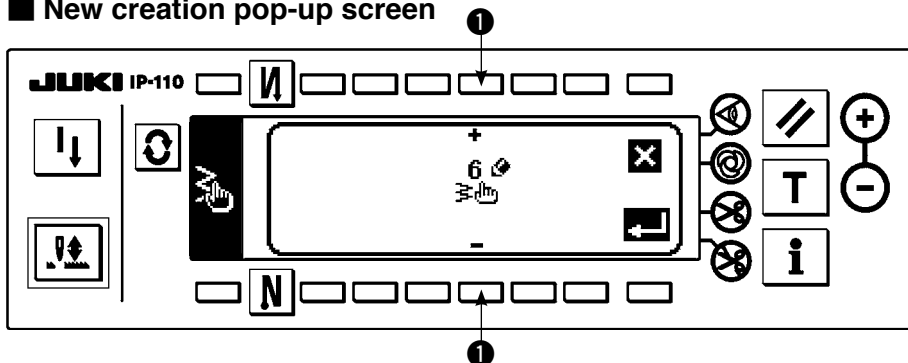
4) Zigzag width, position of stitch base line, etc. of custom pattern can be set in the sewing shape setting screen.


- ③ : Select free stitching, overlapped stitching or programmed stitching.
- ④ : Set the zigzag width with “+” and “-”. (The whole can be enlarged or reduced taking the inputted left and right positions as reference.)
- ⑤ : Set the position of stitch base line with “+” and “-”.
- ⑥ : Needle entry position is displayed.

(2) New creation of the custom pattern


Custom pattern is newly created.


■ New creation pop-up screen



1) Press  in the custom pattern selection pop-up screen to display the new creation pop-up screen.


2) Nos. which have not been registered at present are displayed in **1**. Select the No. you desire to obtain with “+” and “-”.

When  is pressed here, the screen returns to the former one without creating the pattern.

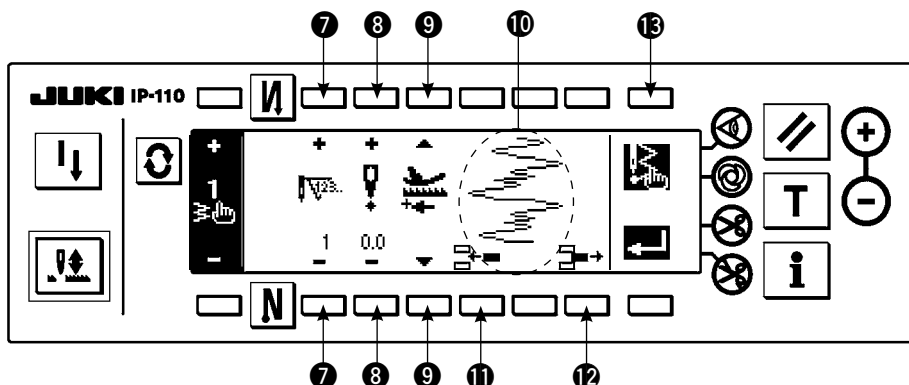
3) When  is pressed, new creation is performed.

The No. which has been created is in the selective state. Continue to perform the edit of custom pattern.

(3) Custom pattern edit

1) Press switch of  in the sewing shape setting screen to move to the custom pattern edit screen.


■ Custom pattern edit screen



2) Set the needle entry position and sewing direction of each step in the custom pattern edit screen.



- ⑦ : Set the step with “+” and “-”.
- ⑧ : Set the value of needle entry point from the center of zigzag with “+” and “-”. “+” value comes on the right side and “-” value on the left side.
- ⑨ : Select normal direction and reverse direction with the feed direction.
- ⑩ : Needle entry position is displayed. (In display of the needle entry position, all positions are displayed as the normal direction.)
- ⑪ : Insert needle entry point 0.0 for one stitch to the existing step. Then the stitches move backward one stitch by one stitch.
* It is not possible to insert it when the number of total stitches is 500 stitches.
- ⑫ : Delete one stitch of the needle entry of the existing step. Then the stitches move forward one stitch by one stitch.
* It is not possible to delete it when the number of total stitches is “1” stitch.

3) When setting is completed up to the last step, proceed to the next step, press ⑬  and put END mark .

* When the number of stitches of the last step is 500 stitches, it is not necessary to set “END” mark .

4) When the setting is completed, press  key to determine.



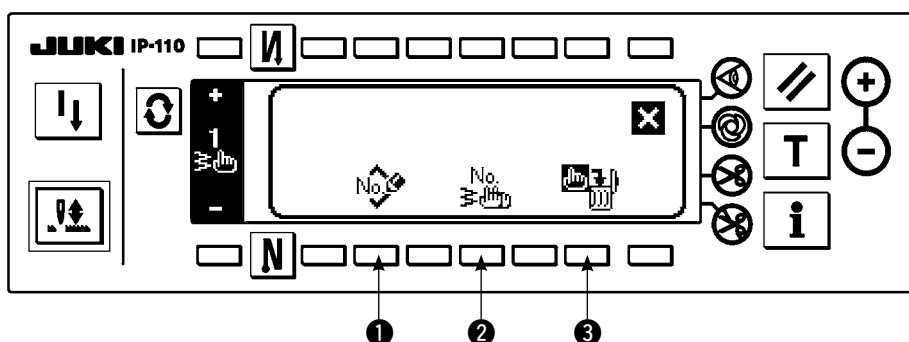
When the power source is turned OFF without pressing  key, the inputted data returns to the former one. When you desire to determine the data, be sure to press  key.




When the setting of reverse direction is performed in the setting of the feed direction of the custom pattern, the max. speed is limited to 1,100 sti/min.

(4) Registration, copy and deletion of the custom pattern

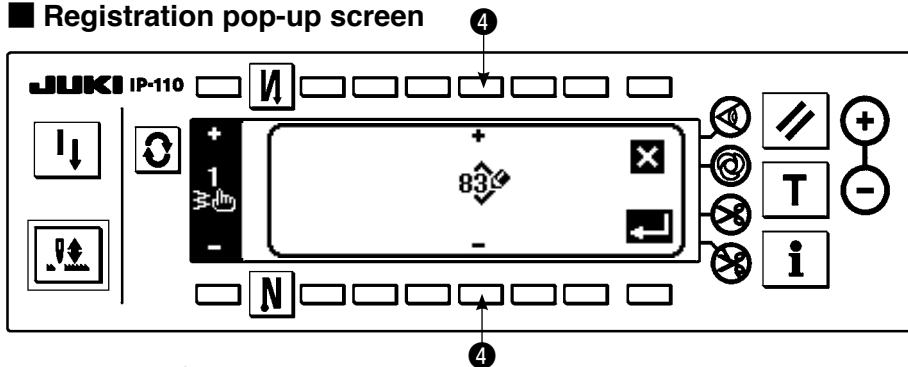
■ Pop-up screen of registration, copy and deletion of custom pattern



Press  in the sewing shape setting screen, and the pop-up screen of registration, copy and deletion of custom pattern appears. Then registration, copy and deletion of the custom pattern can be performed.

○ Registration of pattern

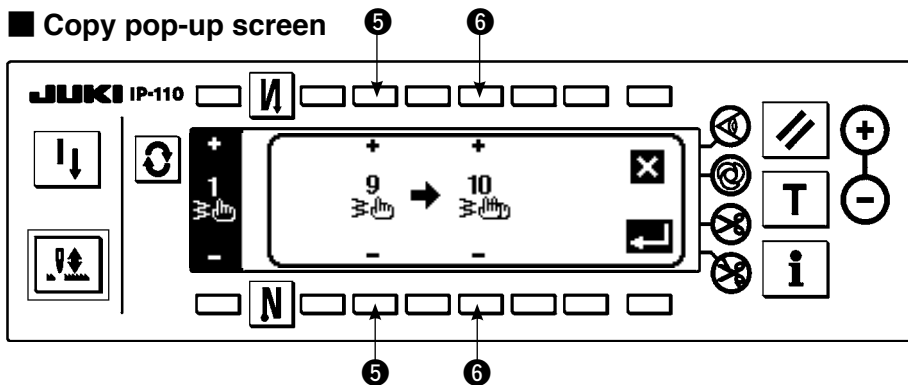
■ Registration pop-up screen



- 1) Press **W No.** ① in the pop-up screen of registration, copy and deletion of custom pattern.
- 2) Select the pattern No. you desire to register with ④ in the registration pop-up screen.
When **X** is pressed here, the screen returns to the former one without registering the pattern.
- 3) When **↵** is pressed, registration is performed.
After registration, the registered pattern is in the selective state.

○ How to copy

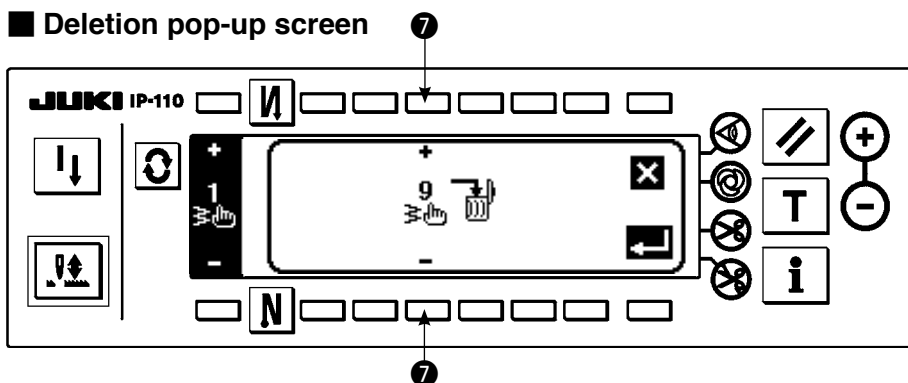
■ Copy pop-up screen






- 1) Press **W No.** ② in the pop-up screen of registration, copy and deletion of custom pattern.
- 2) Copy pop-up screen is displayed.
 - ⑤ : Select the custom pattern of copy source with “+” and “-”. (It is possible to select only No. which has been registered.)
 - ⑥ : Select the custom pattern of copy destination with “+” and “-”. (It is possible to select only No. which has been not registered.)
- When **X** is pressed here, the screen returns to the former one without performing copy.
- 3) When **↵** is pressed, copying is performed.
When copying is performed, the No. which is selected as copy destination is in the selective state.

○ How to delete

■ Deletion pop-up screen



- 1) Press  **3** in the copy pop-up screen and the deletion pop-up screen to display the deletion pop-up screen.
- 2) Select the pattern No. you desire to delete in the deletion pop-up screen.
 - ⑦ : Select the pattern to be deleted with “+” and “-”.
 When  is pressed here, the screen returns to the former one without deleting.
- 3) When  is pressed, deletion is performed.



Once the data is deleted, it does not return to the former one. Be sure to press  after carefully checking the data.



When the number of registered pieces is one, deletion cannot be performed. When you desire to delete it, perform deletion after creating another No.
The custom pattern registered in the pattern cannot be deleted.

6-10. Condensation Custom



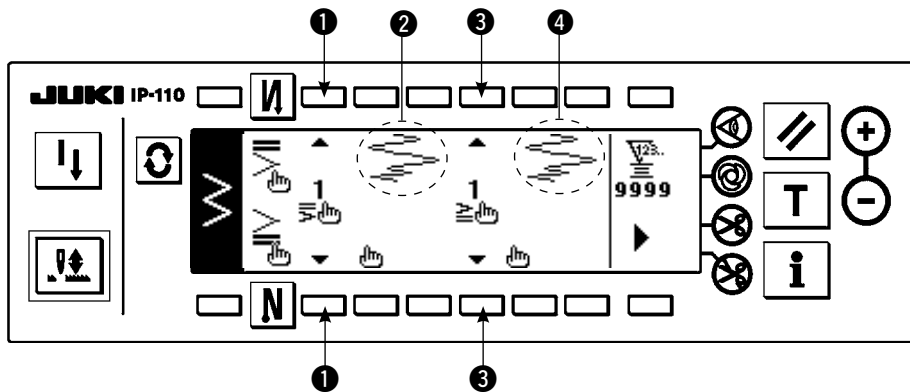
Standard delivery level of the key lock is “1”. When the level of the key lock is the case other than “0”, be sure to change the level to “0” to perform the operation below.










Condensation custom can perform condensation by specifying free needle entry position.

Condensation custom patterns can be created up to as many as 64 steps. As many as 20 patterns can be registered at the sewing start and the sewing end respectively.

(1) Condensation custom setting

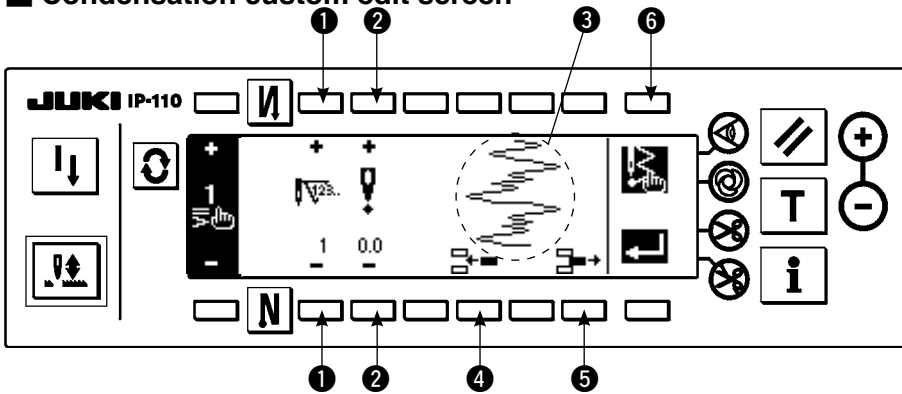
■ Reverse feed stitching setting (condensation custom) screen



- 1) Press  to display the reverse feed stitching setting screen.
- 2) Select the shape of condensation in the reverse feed stitching screen.
 - ① : Select the shape of condensation at sewing start from among 1 to 20.
Standard condensation , 2-point-condensation  and condensation customs  to  are changed over and displayed in the display section.
 - ③ : Select the shape of condensation at sewing end from among 1 to 20.
Standard condensation , 2-point condensation  and condensation customs  to  are changed over and displayed in the display section.
 - ② and ④ : Needle entry position is displayed when selecting the condensation custom.

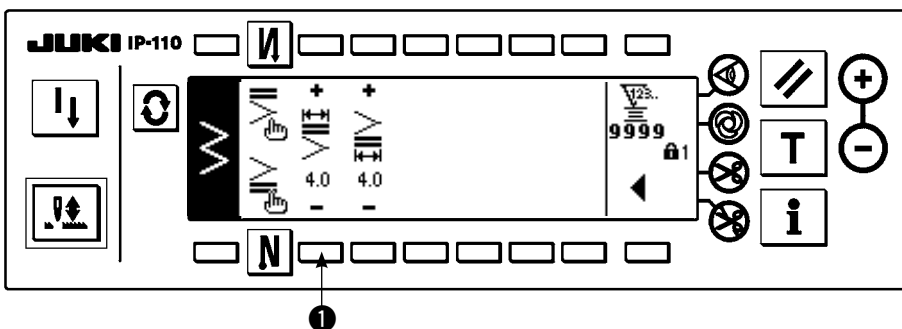
(2) Condensation custom edit

■ Condensation custom edit screen



- 1) Press to display the reverse feed stitching setting screen.
- 2) Press or in the reverse feed stitching setting screen to move to the condensation custom edit screen.
- 3) Set the needle entry position for each step in the condensation custom edit screen.
 - ① : Set the step with “+” and “-” key.
 - ② : Set the value of needle entry point from the center of zigzag with “+” and “-”. “+” value comes on the right side and “-” value on the left side.
 - ③ : Needle entry position is displayed.
 - ④ : Insert needle entry point 0. 0 for one stitch to the existing step. Then the stitches move backward one stitch by one stitch.
 - * It is not possible to insert it when the number of total stitches is 64 stitches.
 - ⑤ : Delete one stitch of the needle entry of the existing step. Then the stitches move forward one stitch by one stitch.
 - * It is not possible to delete it when the number of total stitches is “1” stitch.
- 4) When setting up to the last step is completed, proceed to the next step, press and put END mark .
- * When the last step is 64, it is not necessary to set "END" mark .
- 5) When all inputting procedures have been completed, press key to determine.

■ The second screen of reverse feed stitching setting



Example) Condensation custom at sewing start Width 4 mm for 2-step zigzag stitch

	Needle entry	1st stitch	2nd stitch	3rd stitch	4th stitch	5th stitch	6th stitch	7th stitch	8th stitch	9th stitch	10th stitch	11th stitch
	Input value	- 2.0	- 0.7	0.6	2.0	0.6	- 0.7	- 2.0	- 0.7	0.6	2.0	END

- ① Input the data of the list in the condensation custom edit screen.
- ② Set 4 mm at in the 2nd screen of reverse feed stitching setting. When is changed, the inputted needle entry can be increased/decreased.



When the power source is turned OFF without pressing  key, the inputted data returns to the former one. When you desire to determine the data, be sure to press  key.



Feed direction of all of the condensation custom patterns is in the reverse feed direction.

6-11. Pattern stitching



Standard delivery level of the key lock is “1”. When the level of the key lock is the case other than “0”, be sure to change the level to “0” to perform the operation below.

The respective shapes of straight stitch, 2-step zigzag, 3-step zigzag, 4-step zigzag, scallop, blind stitch, and custom can be registered in the pattern.

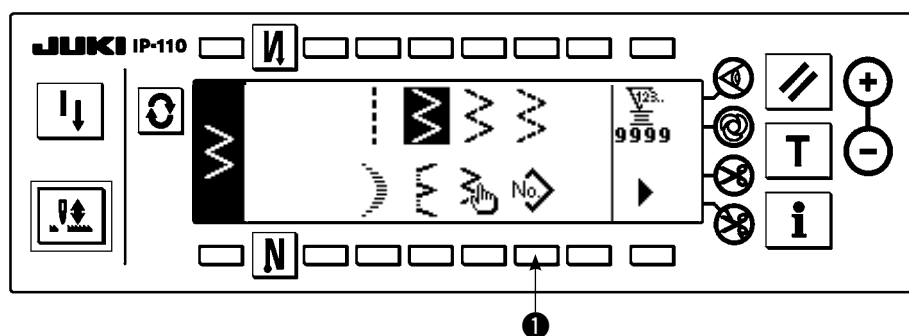
Patterns, the zigzag width of which is different from each other, and those, the positions of the stitch base line of which are different from each other can be changed over and used without re-setting the data even in case of the same zigzag shape by registering as patterns.

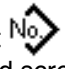
It is possible to register as many as 99 patterns.

(1) Setting the pattern stitching

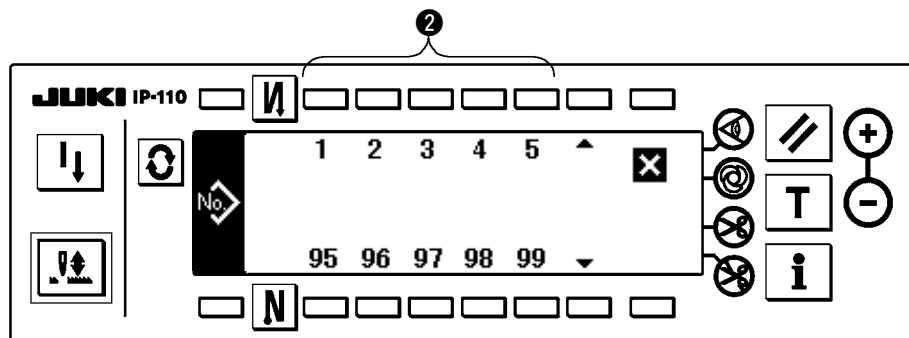
Example) Scallop stitching


■ The second screen of the sewing shape list



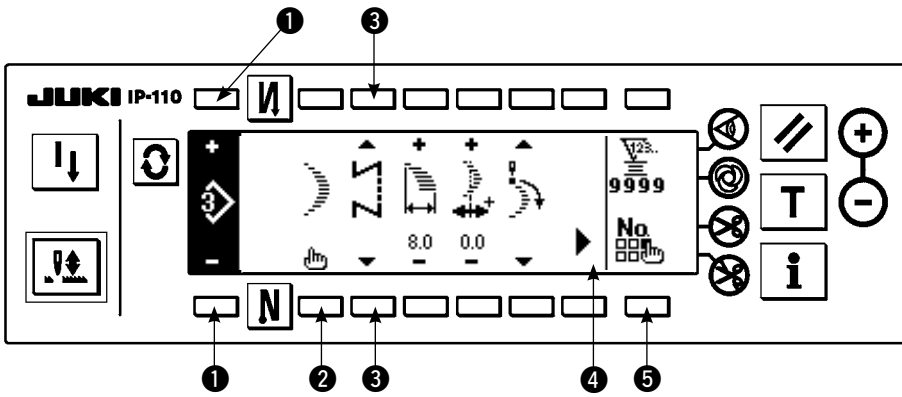
- 1) Select  ① in the second screen of the sewing shape list.

■ Pattern selection pop-up screen



- 2) Press switch ② corresponding to the sewing which has been registered, or the pattern you desire to edit in the pattern selection pop-up screen.
- 3) Press  to display the sewing shape setting screen.

■ Sewing shape setting screen



* When there is the second screen, ► ④ is displayed.

4) Setting of the respective items can be performed in the sewing shape setting screen.

Shape	Zigzag width	Position of stitch base line	Position at sewing start	Stop position	Number of stitches of blind stitch
Straight	—	○	—	—	—
2-step zigzag	○	○	○	○	—
3-step zigzag					
4-step zigzag					
Scallop	○	○	○	○	—
Blind stitch	○	○	—	—	○
Custom	○	○	—	—	—

①: Pattern No. which has been registered can be selected with “+” and “-”.

②: Select the pattern shape. Sewing shape can be changed by the pattern No. which is being selected at present.



When the sewing shape is changed, the respective setting data return to the initial values.

③: Select the kind of stitching. Free stitching and overlapped stitching can be selected.

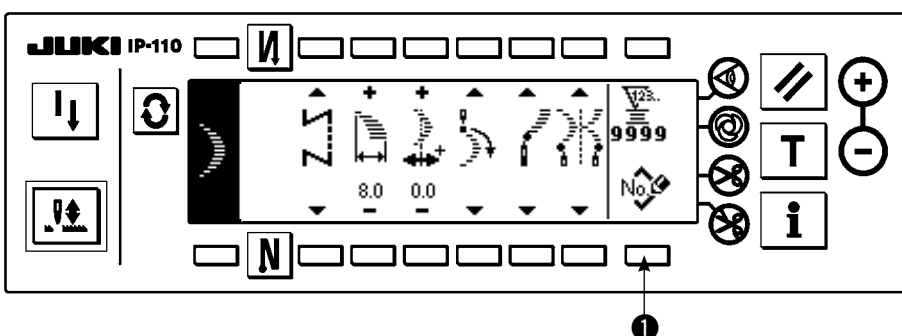
(2) Registering the pattern stitching

It is possible to register at the time of free stitching and overlapped stitching.

Select in advance the shape you desire to register from the sewing shape list screen.

Example) Scallop stitching

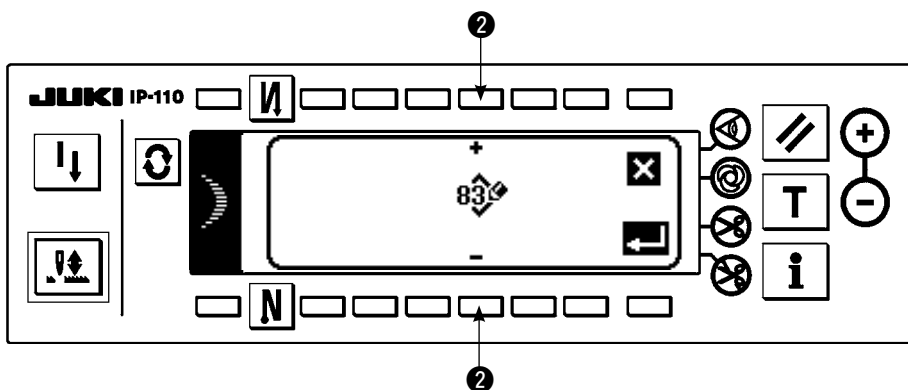
■ Sewing shape setting screen



1) Press to display the sewing shape setting screen.

2) Press ① to display the new registration pop-up screen in the sewing shape setting screen.

■ New registration pop-up screen



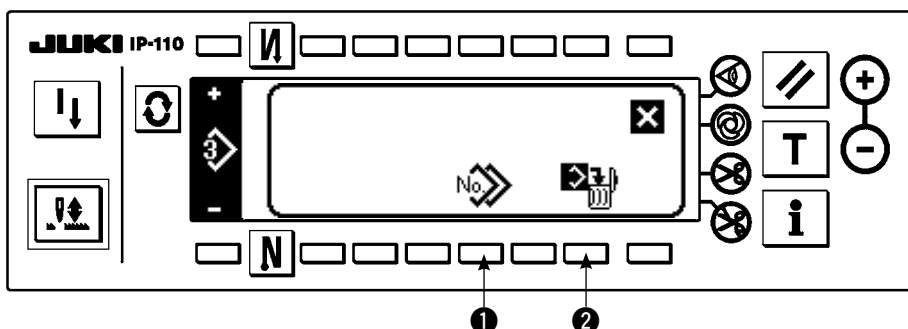
- 3) Select the pattern No. to which you desire to register with ② in the new registration pop-up screen. When **X** is pressed here, the screen returns to the former one without performing the registration.
- 4) When **↵** is pressed, registration is performed. The registered pattern is in the selective state after registration has been performed.

(3) Copy and deletion of the pattern stitching

Press **No.** **5** in the sewing shape setting screen to display the copy and deletion pop-up screen. Then copy and deletion of the pattern stitching can be performed.

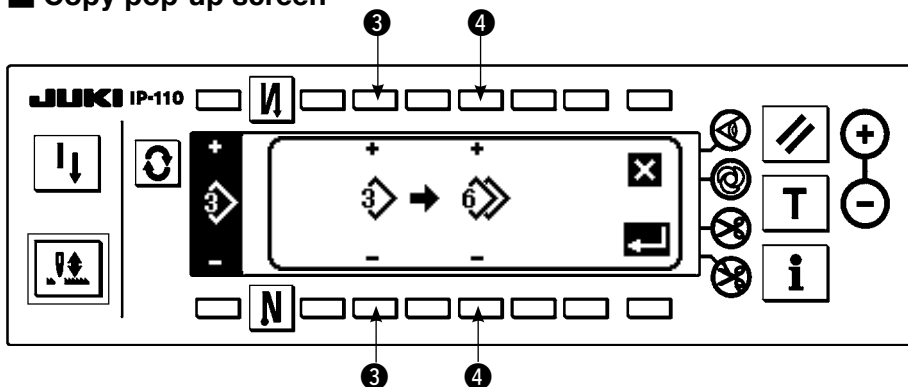
○ How to copy

■ Copy and deletion pop-up screen



- 1) Press **No.** **5** in the copy and deletion pop-up screen to display the copy pop-up screen.

■ Copy pop-up screen



- 2) Set the pattern Nos. of the copy source and copy destination in the copy pop-up screen.

③ : Select pattern No. of the copy source with “+” and “-”. (Registered Nos. only can be selected.)

④ : Select pattern No. of the copy destination with “+” and “-”. (Non-registered Nos. only can be selected.)

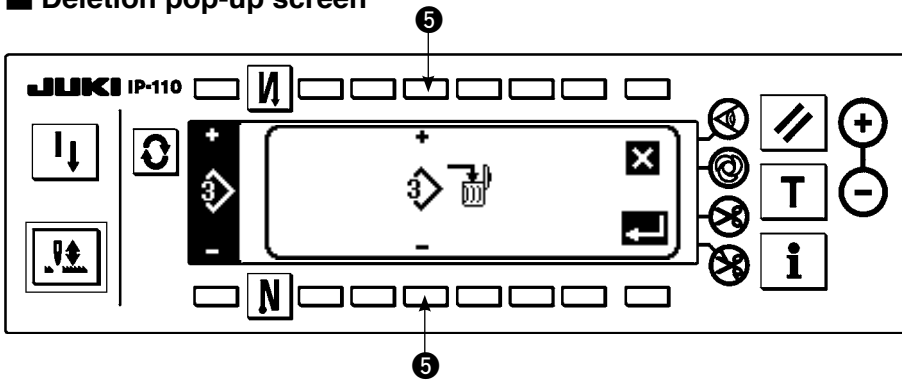
When **X** is pressed here, the screen returns to the former one without performing copy.

- 3) When **↵** is pressed, copy is performed.

No. of the copy destination is in the selective state after copy has been performed.

○ How to delete

■ Deletion pop-up screen



- 1) Press ② in the copy and deletion pop-up screen to display the deletion pop-up screen.
 - 2) Select pattern No. you desire to delete in the deletion pop-up screen.
- ⑤ : Select the pattern to be deleted with “+” and “-”.

When is pressed here, the screen returns to the former one.

- 3) When is pressed, deletion is performed.



Once the deletion is performed, the data is not restored.

Be sure to carefully check before pressing .



When the number of registered pieces is one, deletion cannot be performed. When you desire to delete it, perform deletion after creating another No.

The pattern used in continuous stitching or cycle stitching cannot be deleted.

6-12. Continuous stitching



Standard delivery level of the key lock is “1”. When the level of the key lock is the case other than “0”, be sure to change the level to “0” to perform the operation below.

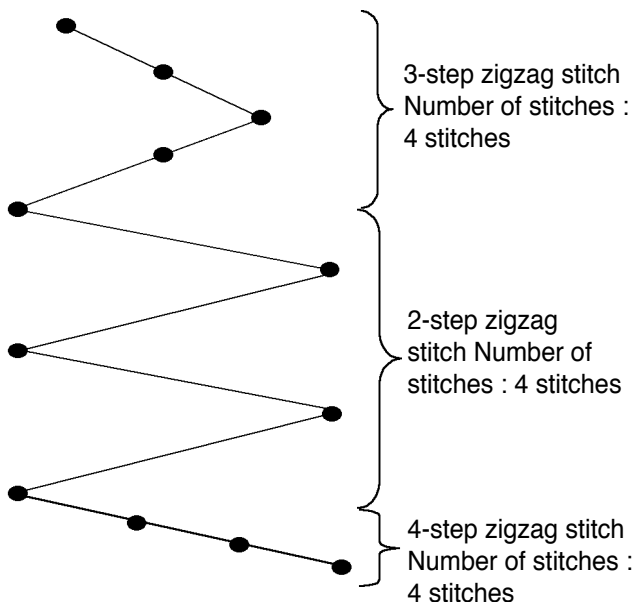
The continuous stitching is a function created by supposing the case where the different patterns are connected and sewn, or the case where the sewing is performed beyond max. number of stitches per pattern, 500 stitches. Therefore, the connected patterns are recognized as one pattern.

Continuous stitching can sew the different zigzag patterns in combination.

Changeover of the respective patterns can be set with the number of stitches.

Continuous stitching can combine as many as 20 steps and 500 stitches per step can be set. In addition, up to 10 patterns can be registered.

To perform the continuous stitching, it is necessary to register in advance the pattern to be used in each step.



Example) When you desire to create the needle entry positions as shown in the figure below.

- 1) Register in advance 2-step zigzag stitch at pattern 1, 3-step zigzag stitch at pattern 2, and 4-step zigzag stitch at pattern 3.
- 2) Set the number of stitches as shown in the table below.

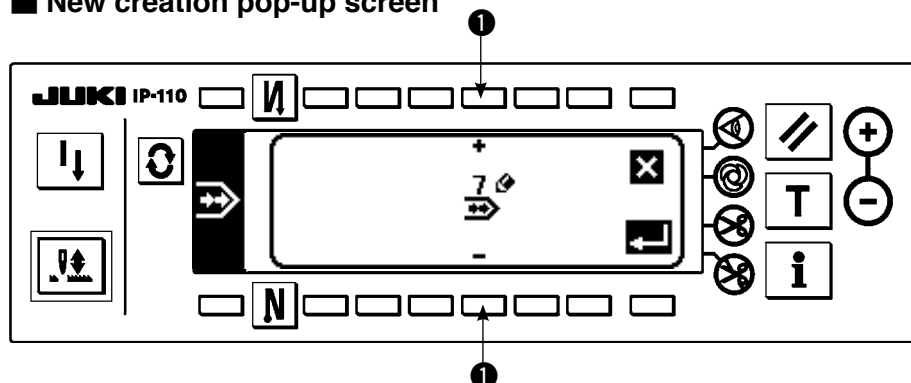
No. of step	Pattern No.	Number of stitches
1	2	4
2	1	4
3	3	4

- 3) When “END” mark is set to the 4th step, registration has been completed.

(1) New creation of the continuous stitching

Continuous stitching pattern can be newly created.

■ New creation pop-up screen



- 1) Press **No.** in the continuous stitching selection pop-up screen to display the new creation pop-up screen.
- 2) Nos. which have not been registered at present are displayed in ❶. Select the No. you desire to obtain with “+” and “-”.

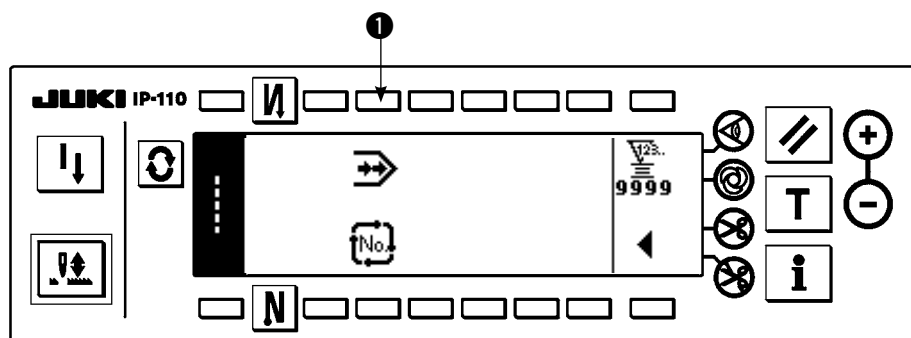
When **X** is pressed here, the screen returns to the former one without creating the pattern.

- 3) When **↵** is pressed, new creation is performed.

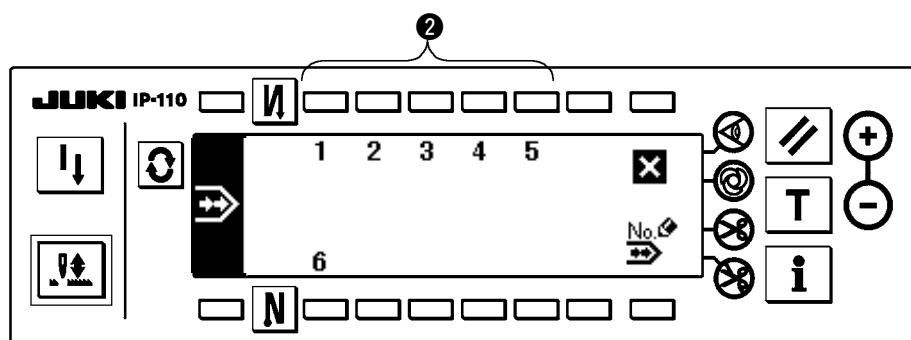
The No. which has been created is in the selective state. Continue to perform the continuous stitching edit.

(2) Continuous stitching edit

■ The second screen of the sewing shape list

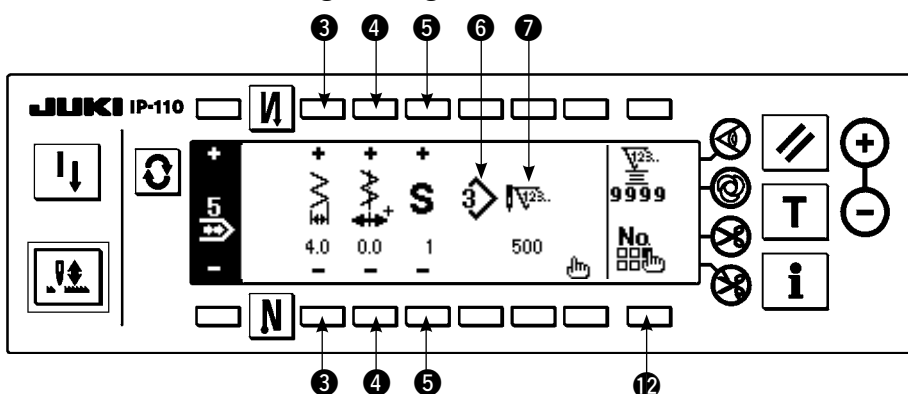


■ Continuous stitching selection pop-up screen



- 1) Select **➡** ❶ in the second screen of the sewing shape list.
- 2) Press switch ❷ corresponding to the sewing which has been registered, or the pattern you desire to edit in the continuous stitching selection pop-up screen.

■ Continuous stitching setting screen



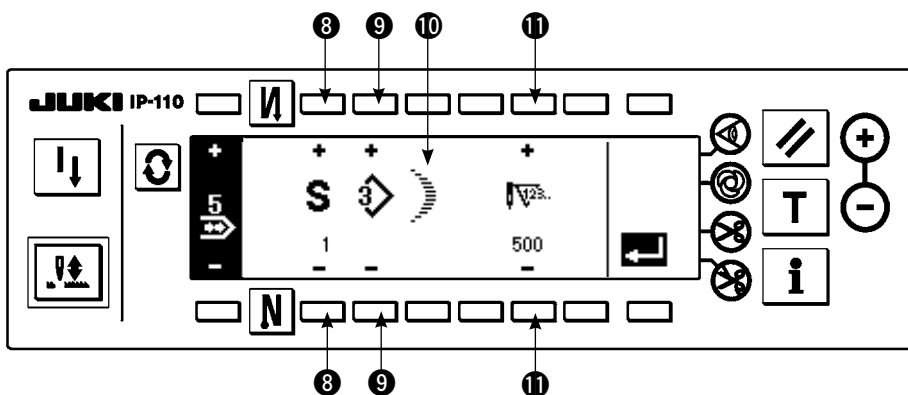
3) Press to display the continuous stitching setting screen.

4) Zigzag width and position of stitch base line can be set in the continuous stitching setting screen.

- ③ : Set zigzag width after combining with “+” and “-”.
- ④ : Set the position of stitch base line with “+” and “-”.
- ⑤ : Select the registered step with “+” and “-”.
- ⑥ : Pattern No. of the step which is being selected at present is displayed. Editing cannot be performed.
- ⑦ : Number of stitches of the step which is being selected at present is displayed. Editing cannot be performed.
- ⑫ : Display the continuous stitching copy deletion pop-up screen. For the operating procedure, refer to "(3) Copy and deletion of the continuous stitching".

5) Press to move to the continuous stitching edit screen.

■ Continuous stitching edit screen



6) Select the pattern and set the number of stitches in each step in the continuous stitching edit screen.

- ⑧ : Set the step with “+” and “-”. As many as 20 steps can be set.
- ⑨ : Set the pattern No. with “+” and “-”. (Registered pattern only can be set.)
- ⑩ : Sewing shape of the pattern which has been selected at ⑨ is displayed.
- ⑪ : Set the number of stitches with “+” and “-”. As many as 500 stitches can be set.

7) When setting up to the last step is completed, proceed to the next step, press ⑨ and put END mark .

* When the last step is 20, it is not necessary to set “END” mark .

8) When all settings have been completed, press key to determine.



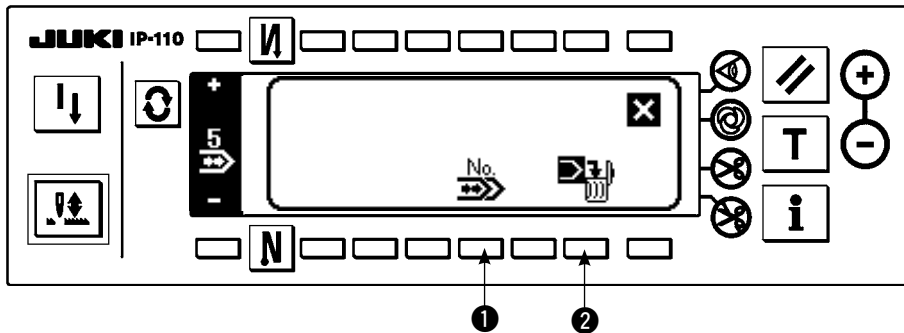
When the power source is turned OFF without pressing key, the inputted data returns to the former one. When you desire to determine the data, be sure to press key.

(3) Copy and deletion of the continuous stitching

Press ⑫ in the continuous stitching setting screen, and the copy and deletion of continuous stitching pop-up screen is displayed. The copy and deletion of the continuous stitching pattern can be performed.

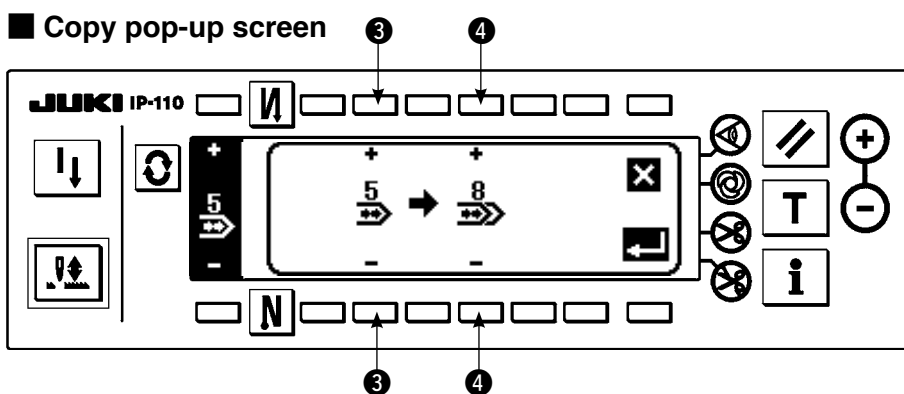
○ How to copy

■ Copy and deletion of continuous stitching pop-up screen



- 1) Press ① in the copy and deletion of continuous stitching pop-up screen.
- 2) The copy pop-up screen is displayed.

■ Copy pop-up screen



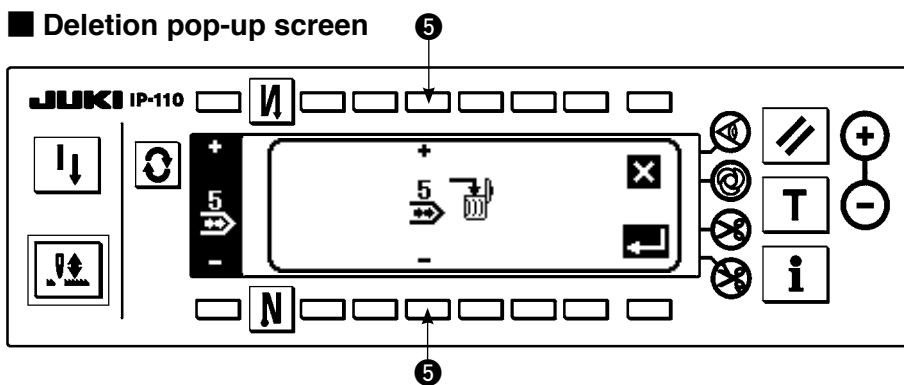
- ③ : Select the continuous stitching pattern of the copy source with "+" and "-".
- ④ : Select the continuous stitching pattern of the copy destination with "+" and "-".

When is pressed here, the screen returns to the former one without performing copy.

- 3) When is pressed, copy is performed. The No. which is selected to the copy destination is in the selective state after copy has been performed.

○ How to delete

■ Deletion pop-up screen



- 1) Press ② in the copy and deletion of continuous stitching pop-up screen.

2) The deletion pop-up screen is displayed.

- ⑤ : Select the continuous stitching pattern to be deleted with "+" and "-".

When is pressed here, the screen returns to the former one without performing deletion.

- 3) When is pressed, deletion is performed.



Once the data is deleted, it does not return to the former one. Be sure to press after carefully checking the data.



When the number of registered pieces is one, deletion cannot be performed. When you desire to delete it, perform deletion after creating another No.

The continuous stitching used in cycle stitching cannot be deleted.

Continuous stitching treats the respective patterns as one pattern, and it is not possible to start sewing from the pattern on the way or perform re-sewing.

6-13. Cycle stitching



Standard delivery level of the key lock is “1”. When the level of the key lock is the case other than “0”, be sure to change the level to “0” to perform the operation below.

The cycle stitching is the shape sewing such as label attaching and the like, and a function created by supposing the case where a pattern, each side of which is different, is registered and sewn.

Cycle stitching can change over the different patterns in order and perform the sewing.

In addition, by setting the number of stitches, programmed stitching with different needle entry positions for each step can be performed.

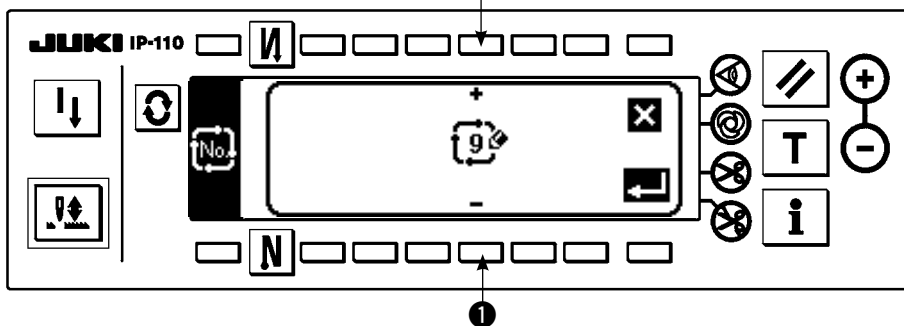
Cycle stitching can be set up to max. 20 steps and 10 kinds can be registered.

To perform the cycle stitching, it is necessary to register in advance the patterns which are used in each step.

(1) New creation of the cycle stitching

Cycle stitching pattern can be newly created.

■ New creation pop-up screen



- 1) Press in the cycle stitching selection pop-up screen to display the new creation pop-up screen.
- 2) Nos. which have not registered at present are displayed in ①. Select the No. you desire to obtain with “+” and “-”.

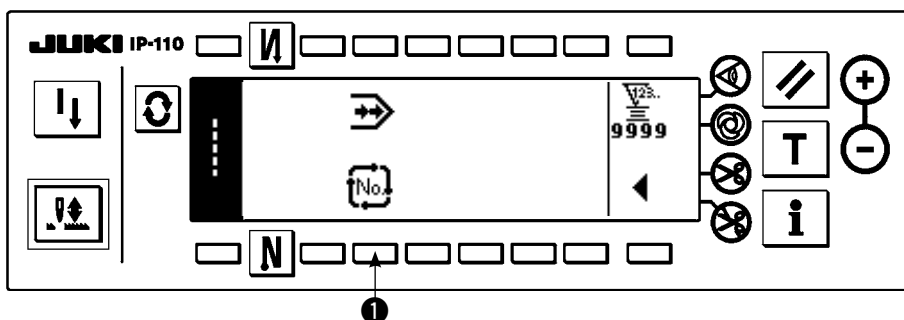
When is pressed here, the screen returns to the former one without creating.

- 3) When is pressed, new creation is performed.

The No. which has been created is in the selective state. Continue to set the cycle stitching.

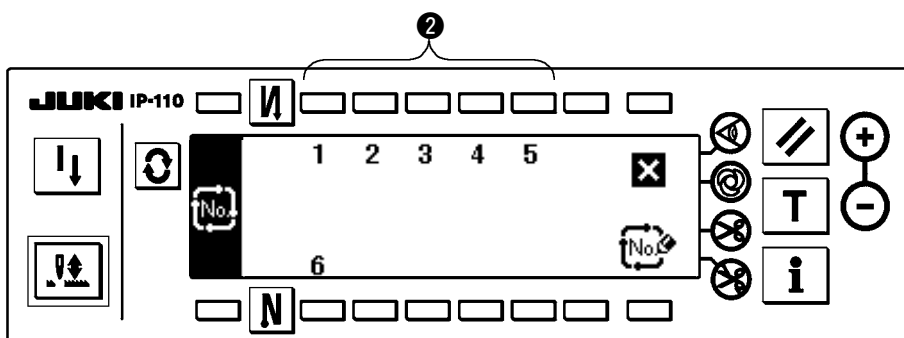
(2) Cycle stitching edit

■ The second screen of sewing shape list



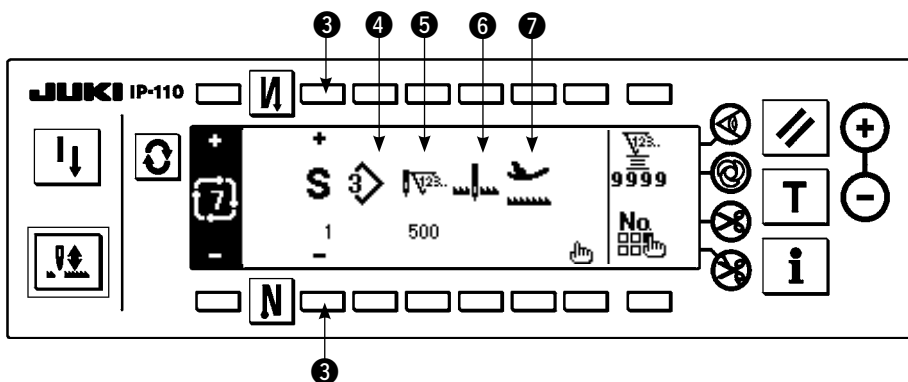
- 1) Select ① in the second screen of the sewing shape list.
- 2) Press switch ② corresponding to the registered sewing, or patterns you desire to edit in the cycle stitching selection pop-up screen.

■ Cycle stitching selection pop-up screen



- 3) Press to display the cycle stitching setting screen.

■ Cycle stitching setting screen



4) Setting of each step can be displayed in the cycle stitching setting screen.

③ : Select the registered steps with “+” and “-”.

* Steps that can be selected are the step that number of stitches is not set and the step that automatic thread trimming is set or that the number of stitches is not set immediately before the step only.

④ : Pattern No. which is being selected at present is displayed. Editing cannot be performed.

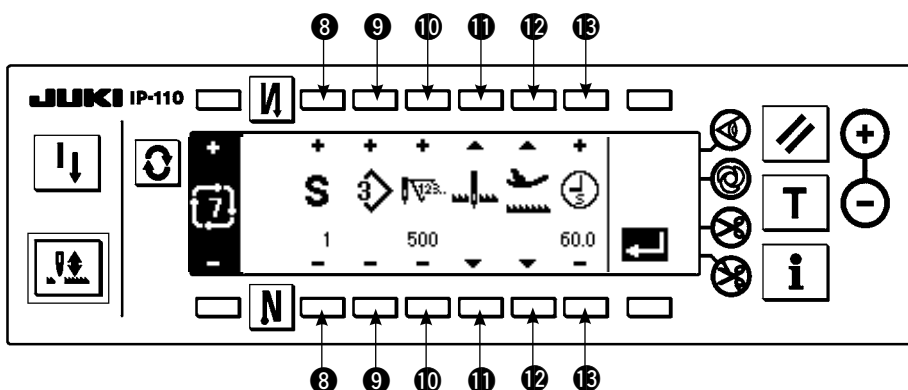
⑤ : Stop state of the step which is being selected at present is displayed. Editing cannot be performed.

⑥ : Number of stitches of the step which is being selected at present is displayed. Editing cannot be performed.

⑦ : Position of the presser of the step which is being selected at present is displayed. Editing cannot be performed.

5) Press to display the cycle stitching edit screen.

■ Cycle stitching edit screen



6) Set pattern No., number of stitches, stop position and position of the presser for each step in the cycle stitching edit screen.

⑧ : Set the step with “+” and “-”. As many as 20 steps can be set.

⑨ : Select pattern No. with “+” and “-”. (Pattern Nos. to which patterns have been registered only can be set.)

⑩ : Set the number of stitches with “+” and “-”. As many as 500 stitches can be set.

⑪ : Select the stop state of the step.

① Needle DOWN stop

② Needle UP stop

③ Thread trimming (Effective only when the thread trimming device is provided.)

⑫ : Select the position of the presser. (Only when the auto-lifter is provided.)

① Presser UP stop

② Presser DOWN stop


⑬ : When the presser UP stop is selected at ⑫, set the presser lifting time with “+” and “-”.

7) When setting up to the last step is completed, proceed to the next step, press ⑨ and put END mark .

* When the last step is 20, it is not necessary to set “END” mark .

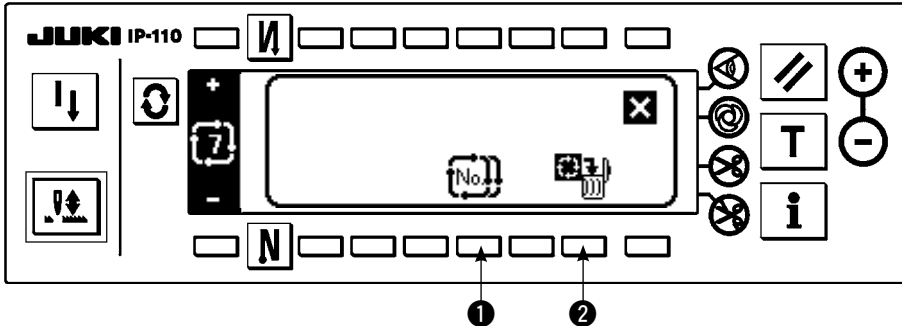
8) When all settings have been completed, press key to determine.

(3) Copy and deletion of the cycle stitching

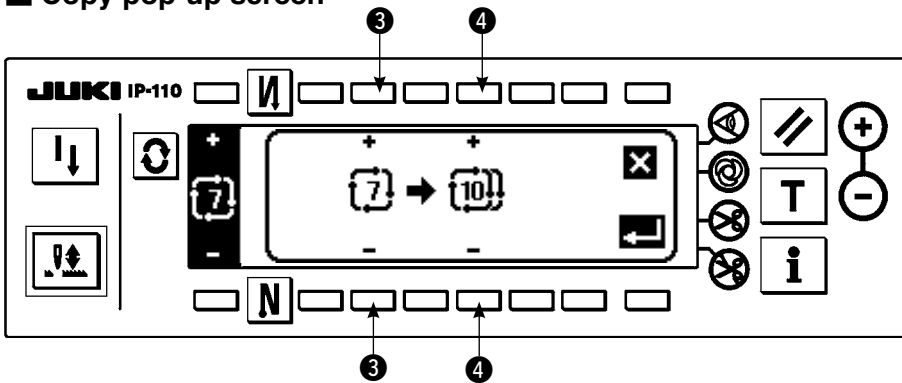
Press  in the cycle stitching setting screen to display the copy and deletion of cycle stitching pop-up screen. Then copy and deletion of the cycle stitching pattern can be performed.




○ How to copy

■ Copy and deletion of cycle stitching pop-up screen



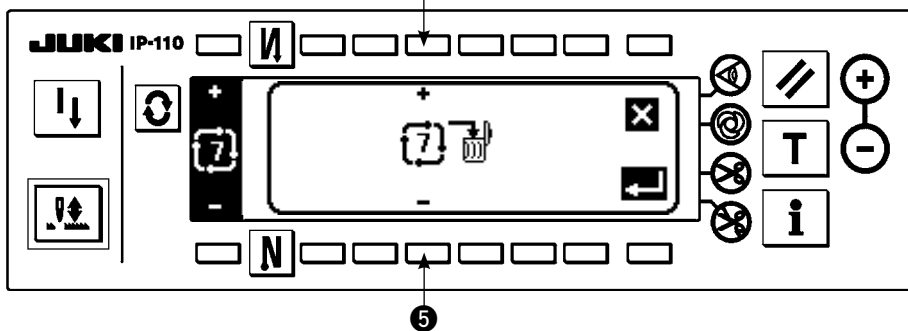
■ Copy pop-up screen



- 1) Press  ① in the copy and deletion of cycle stitching pop-up screen.
- 2) Copy pop-up screen is displayed.
 - ③ : Select the cycle stitching pattern of the copy source with “+” and “-”. (It is possible to select only No. which has been registered.)
 - ④ : Select the cycle stitching pattern of the copy destination with “+” and “-”. (It is possible to select only No. which has been not registered.)When  is pressed here, the screen returns to the former one without performing copy.
- 3) When  is pressed, copy is performed. The No. which is selected to the copy destination is in the selective state after copy has been performed.

○ How to delete

■ Deletion pop-up screen



1) Press ② in the copy and deletion of cycle stitching pop-up screen.

2) Deletion pop-up screen is displayed.

⑤ : Select the cycle stitching pattern to be deleted with “+” and “-”.

When is pressed here, the screen returns to the former one without performing deletion.

3) When is pressed, deletion is performed.



Once deletion is performed, the data is not restored. Be sure to carefully check before pressing .



When the number of registered pieces is one, deletion cannot be performed. When you desire to delete it, perform deletion after creating another No.
Cycle stitching treats the respective patterns as one pattern, and it is not possible to start sewing from the pattern on the way or perform re-sewing.

(4) Teaching

Teaching can input the number of stitches of inputting step with the number of stitches which has been actually sewn.

1) Press switch in the cycle stitching edit screen and the teaching mode is obtained.

2) Depress the front part of the pedal to sew until the last stitch of the step is reached.

* At this time, input of the number of stitches cannot be performed by turning the handwheel by hand or using the needle up/down compensating switch.

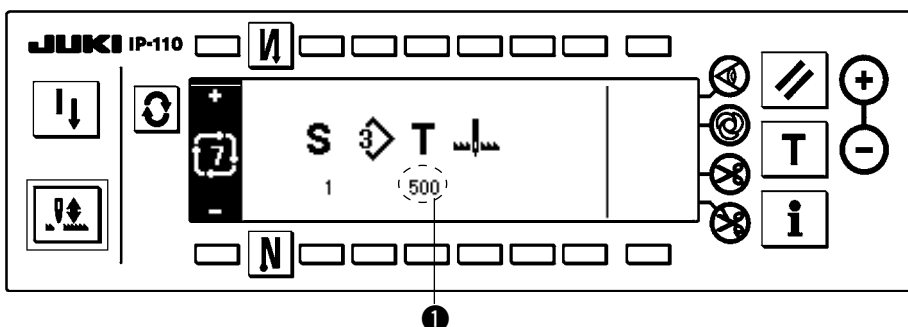
3) Stop the sewing machine with the pedal in the neutral position and the number of stitches which has been sewn is displayed on ①.

4) Make the sewing machine perform thread trimming and input of the number of stitches for the step is completed.

(Proceeding to the next step and performing teaching cannot be performed.)

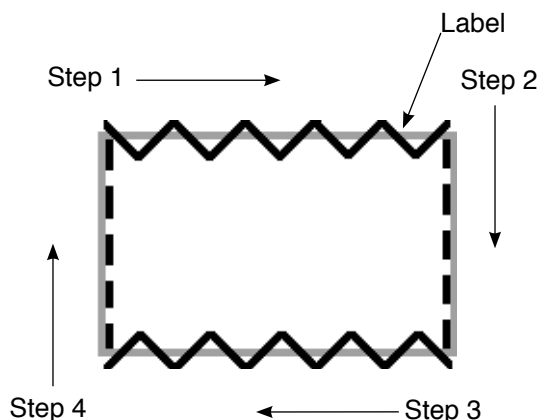
Step returns to “1” with thread trimming motion. When inputting the next step with teaching, re-set the step.

■ Teaching screen



(5) Performing the constant-dimension stitching using the cycle stitching


Constant-dimension stitching, zigzag patterns of which are different from each other in the respective steps can be performed by setting the number of stitches in the cycle stitching.



Example) In the process of label attaching, change over the zigzag patterns of constant-dimension stitching of 2-step zigzag stitch and straight stitch as shown in the figure, and perform the constant-dimension stitching.

- 1) Register in advance the 2-step zigzag stitch for the shape of pattern 1 and the straight stitch for the shape of pattern 2.
- 2) Set the number of stitches in each step as shown in the table.

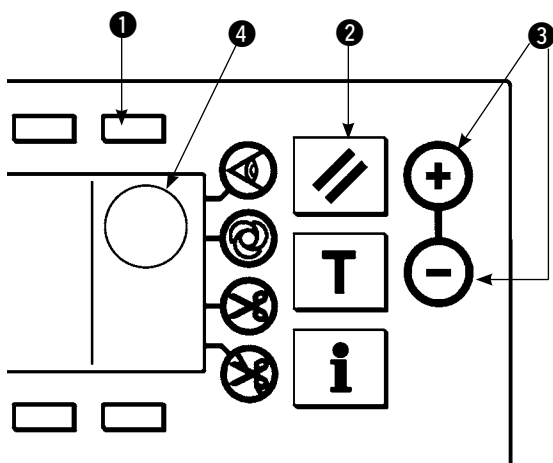
No. of step	Pattern No.	Number of stitches
1	1	100
2	2	50
3	1	100
4	2	50


- 3) Set "END" mark  to the 5th step to complete registration.

6-14. Counter

There are two kinds of the counters, thread trimming counter and bobbin thread counter. Display of the counter is changed over by pressing the switch of ①.

(1) Thread trimming counter




Picture of  is displayed in ④.

Every time thread trimming is performed, the value increases by 1 count. (0 → 1 → 2 → 9999)

Counter value can be corrected with counter value setting switch ③.

In addition, the thread trimming counter value returns to "0" when reset switch ② is pressed.

(2) Bobbin thread counter

Picture of  is displayed in ④.

The counter subtracts from the predetermined value set with counter value setting switch ③ in accordance with the number of stitches of the sewing machine.

When the counter value reaches minus, the buzzer informs about the fact and urges the time of replacement of bobbin thread.

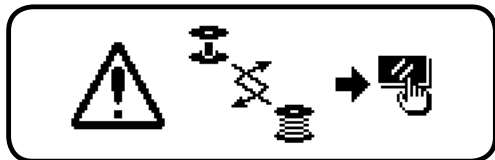
- 1) Press the reset switch to return the display of bobbin thread counter to the initial set value.



Resetting cannot be performed during sewing. Perform thread trimming once.

- 2) Set the initial value with “+” and “-” switch. When the switch is held pressed and the set value exceeds the digit of 100, the set value increases/decreases by 100 unit. When setting the value near to 100 digit, press the switch each time.
- 3) Setting of the initial value is performed, start the sewing.
- 4) When the bobbin thread counter reaches minus and the buzzer beeps, the bobbin thread replacement warning pop-up below appears.

■ Bobbin thread replacement warning pop-up



- 5) Press the reset switch to erase the pop-up. Press again the reset switch to return the value to the initial one and re-start the sewing.

* When the thread remaining amount is large, or bobbin thread has run out before the bobbin thread counter reaches minus, adjust the initial set value with “+” or “-” of bobbin thread amount setting switch.

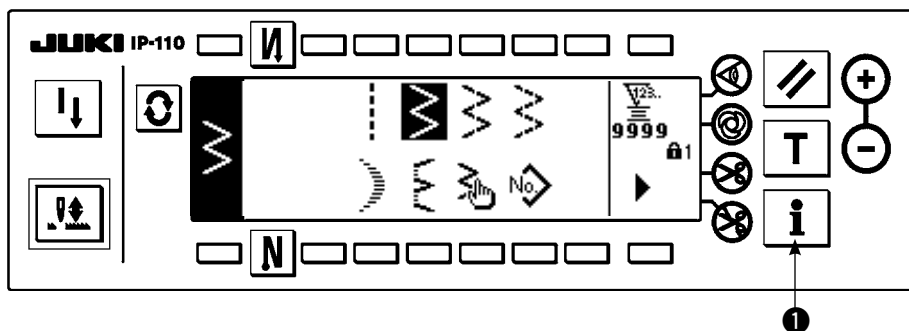
* As a matter of fact, bobbin thread amount changes in accordance with the thickness of cloth or sewing speed. Adjust the counter in accordance with the sewing conditions.

6-15. Information

Setting and checking of various data can be performed with the information.

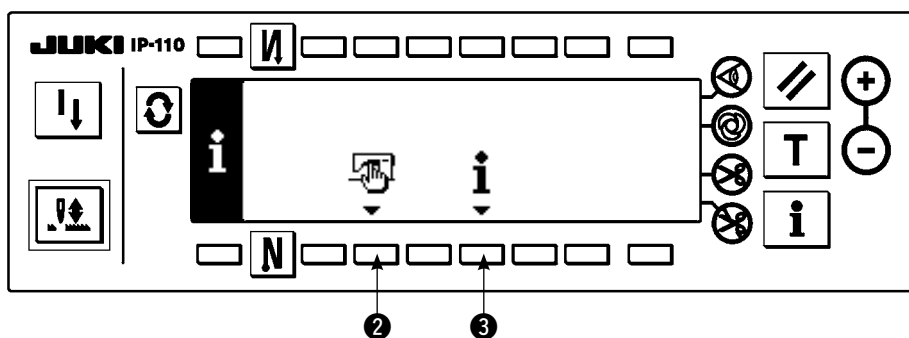
For the information, there are the operator level and the maintenance personnel level.

[Operator level]



- 1) Turn ON the power. When the needle bar is not in the UP position, turn the handwheel to bring the needle bar to its UP position.
- 2) Press switch ❶ to display the information screen.

■ Information screen (operator level)

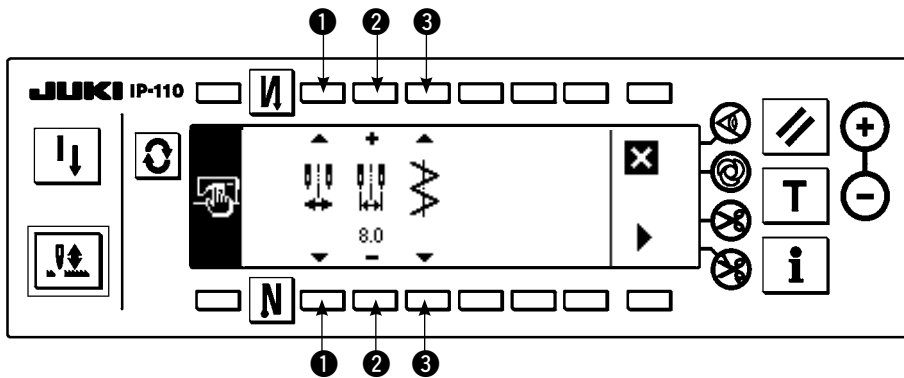


- ❷: Sewing common data
- ❸: Sewing management information

(1) Sewing common data

1) Press **2** in the information screen.



■ The first screen of sewing common data setting



2) Set the items below in the first screen.

1 : Limiting procedure of max. zigzag width limitation

For the limiting procedure of max. zigzag width limitation, there are two settings below.

1) Center  2) Left/right 


2 : Max.zigzag width limitation value

Display varies according to the procedure selected in **1**.

1) When the center is set in **1** :
Max.zigzag width limitation value

center 


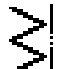

2) When the left/right is set in **1** :
Max.zigzag width limitation value

1) left 

2) right 

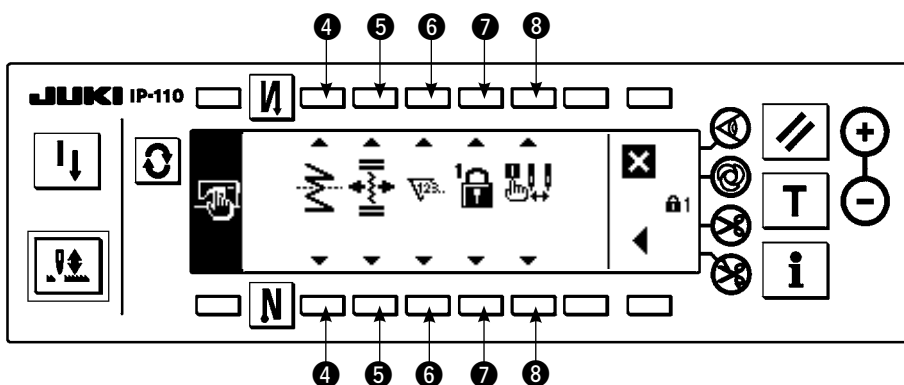
3 : Reference of stitch base line

For the reference of stitch base line, there are three settings below.

1) Center  2) Right  3) Left 

3) Set the items below in the second screen.

■ The second screen of sewing common data setting





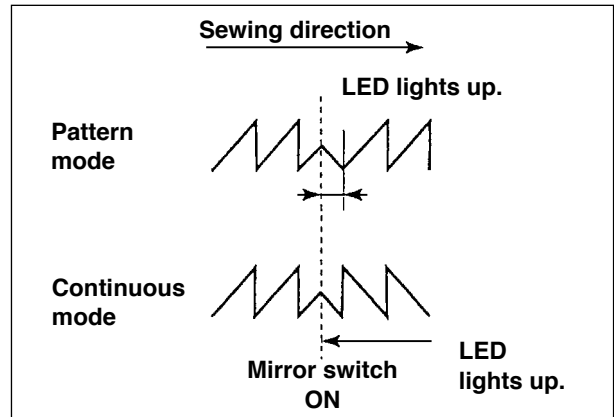
4 : Mirror function setting

Mirror inversion means the function that the reverse pattern stitching is performed after pressing the mirror inversion switch during temporary stop of sewing.


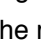
The sewing patterns that the mirror inversion is possible are scallop, custom, continuous stitching and cycle stitching.

For the mirror inversion, there are two settings below.



- 1) 1 pattern  : Mirror inversion is “1” pattern only. After completion of inversion pattern, the pattern returns to the original one.
 - 2) Continuous  : The machine continuously operates the inversion pattern after the inversion until thread trimming is performed or, the mirror switch is pressed again.
- * For the details, refer to “Mirror switch”, p.95.



- ⑤ : Position of the stitch base line of condensation custom
 The mode is the operation mode in terms of the stitch base line of condensation custom when the reference of the stitch base line is set to that of center stitch base line.
 For the condensation custom, there are two settings below.

- 1) Travelling together  : This is the mode that travels the positions of stitch base line of condensation custom and zigzag pattern together.
- 2) Fixed  : This is the mode that fixes condensation custom to the input data position.

- ⑥ : Counter function


ON  / OFF  of the function of thread trimming counter or bobbin thread counter is set.



When OFF is set, even the counter display is not performed.

- ⑦ : Key lock

It is possible to lock the setting switch so that the zigzag width that has been set once or the contents of custom pattern is not changed by mistake. However, it is possible to change ON/OFF of the reverse feed stitch, thread trimming prohibiting switch, specified zigzag stop position and bobbin thread counter.

For the key lock, there are three kinds of settings below.

Level “0”  : All items can be changed.

Level “1”  :  1 is displayed on the right end of the screen.

Kind of sewing



Pattern : Change of pattern and registration

Custom : New creation and edit

Condensation custom : Edit

Continuous stitching : New creation, copy, deletion and edit

Cycle : New creation, copy, deletion and edit cannot be changed.

Level “2”  :  2 is displayed on the right end of the screen.

Items other than reverse feed stitching ON/OFF, thread trimming prohibition switch, specifying zigzag stop position and bobbin thread counter cannot be changed.



Level of the standard delivery is “1”. When changing the locked contents of level “1”, it is necessary to set the level to Level “0” once.

- ⑧ : Selection of max. zigzag width limitation display when the power is turned ON

Whether the max. zigzag width limitation value is displayed or not when the power is turned ON can be selected.

Every time the setting switch is pressed, display/non-display is changed over alternately.

1) Display 

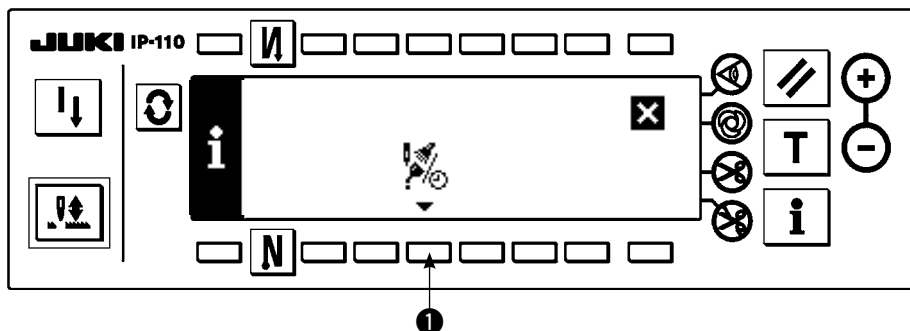
2) Non-display 

(2) Sewing management information

For the sewing management information, there are warning of time of replacement of needle, that of time of cleaning and that of time of replacement of oil as the maintenance management information.

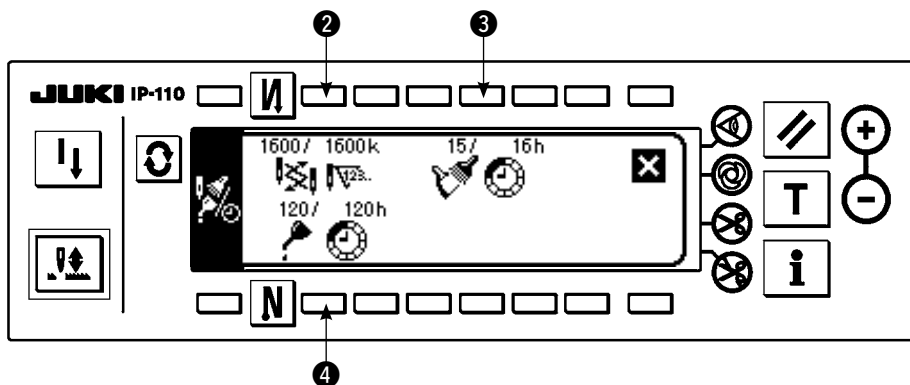
[Maintenance management function]

■ Sewing management information screen



1) Press ❶ to display the maintenance function screen.

■ Maintenance function screen



[Explanation of the respective items]

- ❷ Time of replacement of needle Unit : × 1,000 stitches
- ❸ Time of cleaning Unit : Hour
- ❹ Time of replacement of oil Unit : Hour

[Explanation of the contents of display]

(Numerator / denominator)

* Number of remaining stitches up to *thousand stitches / **thousand stitches

Example) Replacement of needle

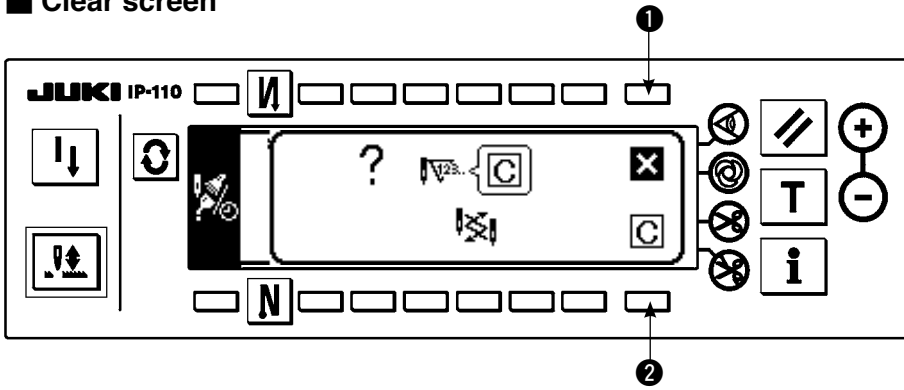
100 / 1600 k

↑ Time of replacement of needle is informed every 1,600 thousand stitches.

↑ Time of replacement of needle is informed after 100 thousand stitches.

When ❷, ❸ and ❹ switches are pressed, the clear checking screen is displayed.

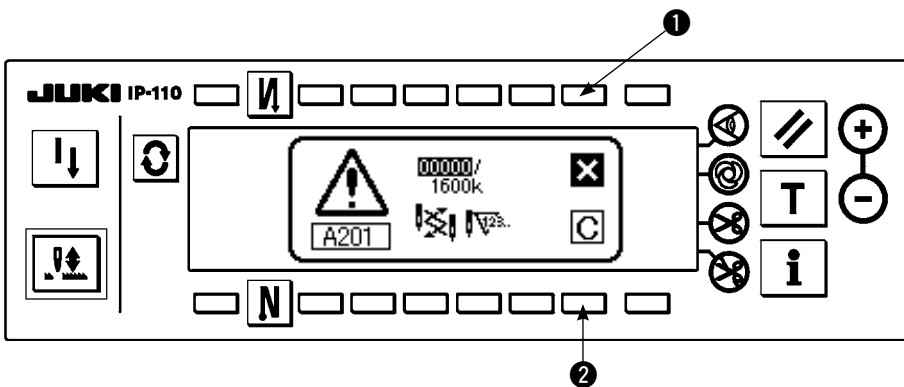
■ Clear screen



- ① : The screen returns to the maintenance function screen without performing clearing.
- ② : The screen returns to the maintenance function screen after executing clearing.

■ Warning screen

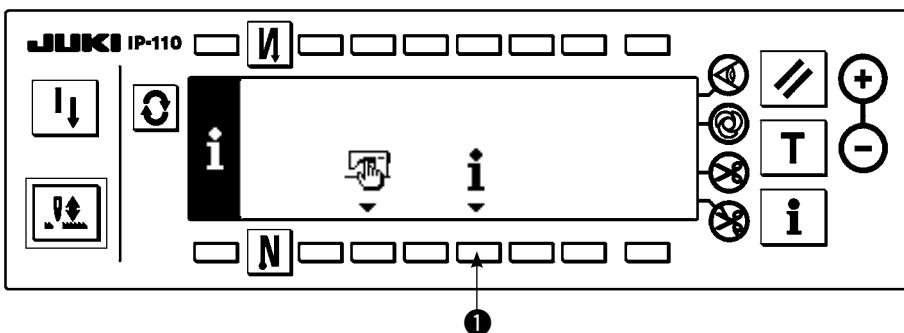
Warning screen is displayed when the warning time is reached.



- ① : When ① is pressed, the screen can be cleared. However, the counter itself cannot be cleared. In case of the replacement of needle, the warning screen is displayed at intervals of 10 minutes until clearing is performed. In case of other warnings, the warning screen is displayed at the time of turning ON the power until the counter is cleared.
- ② : When ② is pressed, the screen is cleared and the counter value is cleared as well. From this time, counting starts newly.

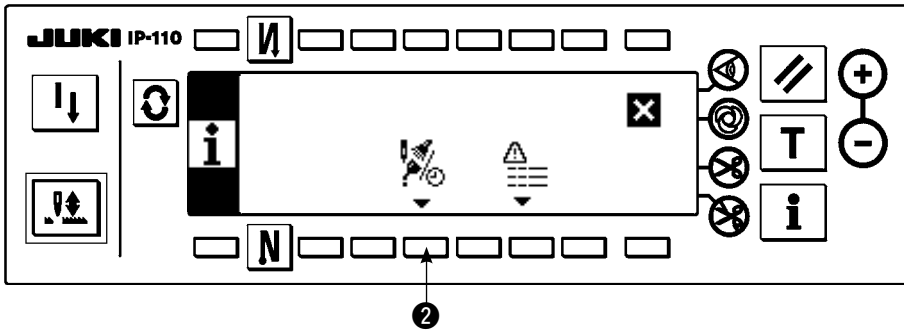
[Setting of the warning setting time]

■ Information screen



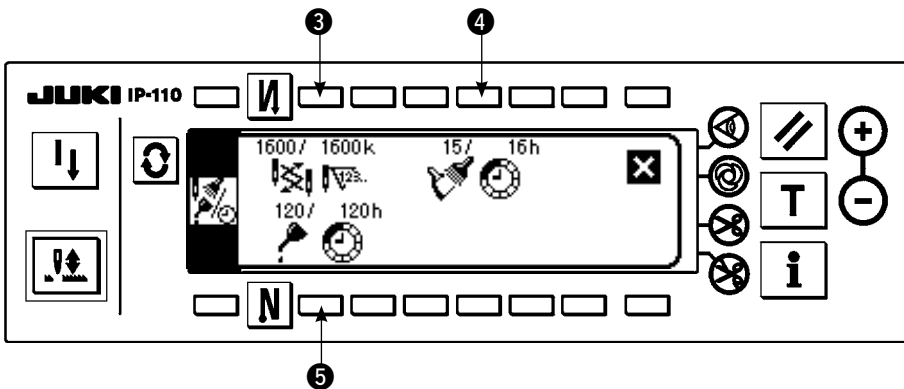
- 1) Press switch ① for approximately three seconds in the information screen.

■ Sewing management information selection screen



2) Press ② to display the maintenance function screen. (For other functions, refer to the Engineer's Manual.)

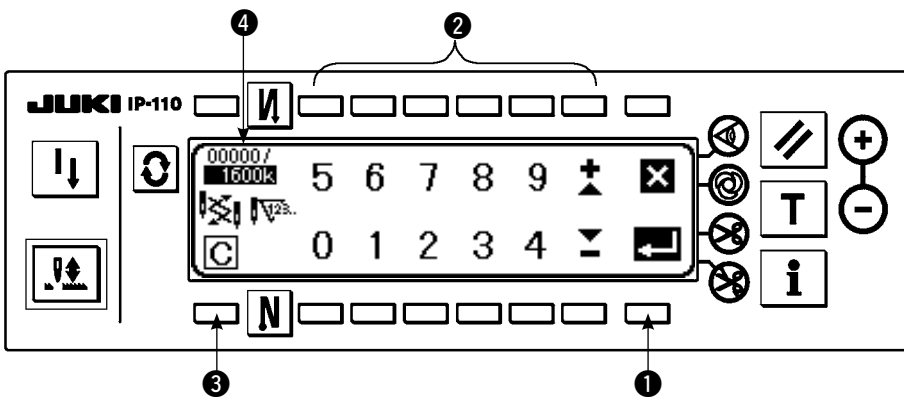
■ Maintenance function screen



③④ and ⑤ : Warning time input screen is displayed.

3) Set the warning time with ②. Setting time inputted is shown in reverse video at ④.

■ Warning time input screen



③ Clear screen is displayed.

After inputting the setting time, determine the time with ①.



In case of stopping the warning function, set the set value to "0".

It is possible to individually set replacement of needle, cleaning, and replacement of oil respectively. In case of stopping all, set "0" to each.



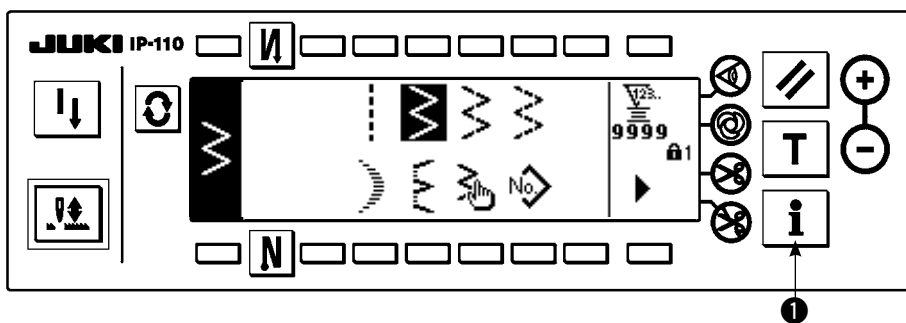
Initial value of warning setting time

1 Time of replacement of needle : 0 thousand stitches (k)

2 Time of cleaning : 0 hours (h) (Current carrying time)

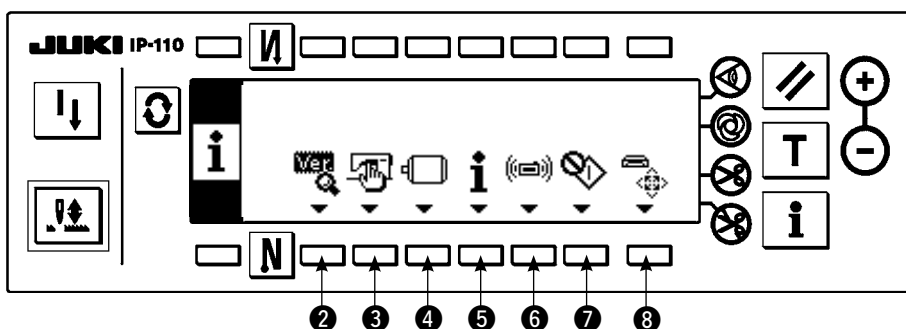
3 Time of replacement of oil : 0 hours (h) (Availability time)

[Maintenance personnel level]



- 1) Turn ON the power. When the needle bar is not in the UP position, turn the handwheel to bring the needle bar to its UP position.
- 2) Press switch ❶ for approximately three seconds to display the information screen.

■ Information screen (Maintenance personnel level)



- ❷ : Ver display For the details, refer to the Engineer's Manual.
- ❸ : Sewing common data
- ❹ : Function setting Refer to 6-16 Function setting procedure.
- ❺ : Sewing management information
- ❻ : Communication mode
- ❼ : Hook adjusting mode Refer to 8-6 Hook adjusting mode.
- ❽ : Media format For the details, refer to the Engineer's Manual.

* When the media format is executed, all of the data that have been recorded at present disappear.
Be careful not to use it other than initialization of the media.

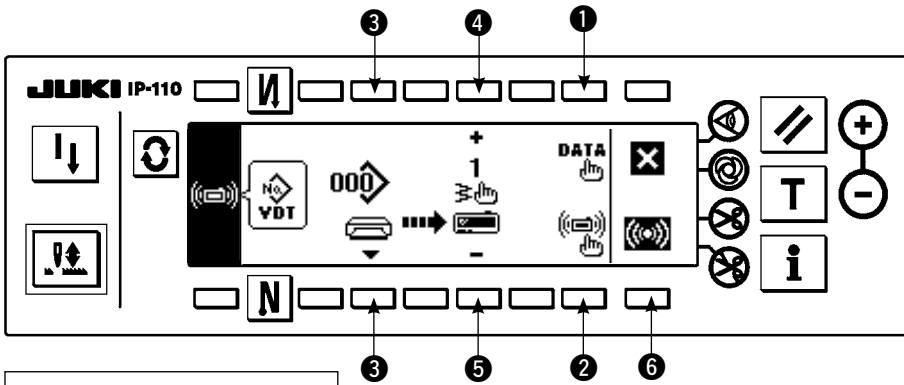
(3) Communication mode

The matters below can be performed in the communication mode.

- 1) Sewing machine data server utility (hereafter : SU-1) or vector form (VDT) data from media can be registered to non-registered No. of custom pattern.
- 2) Custom pattern can be changed to the vector form and be uploaded to SU-1 or the media.
- 3) Parameter data (EPD) can be overwritten and registered to the condensation custom pattern from SU-1 or the media.
- 4) Condensation custom pattern can be uploaded to SU-1 or the media.

* For setting of the communication with SU-1, refer to the Instruction Manual for SU-1.

■ Communication setting screen (download)

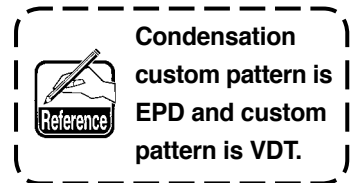
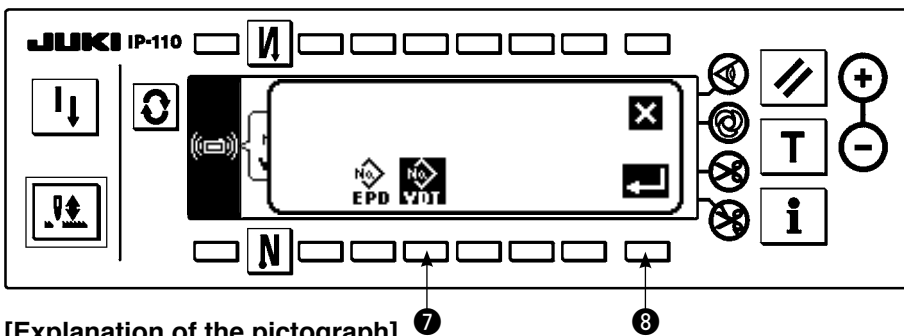


Example of download

Example) Parameter file No. 70 of the media is downloaded to the condensation custom pattern at the sewing end No. 10.

- 1) Open the media cover and insert the compact flash (TM) (Optional Part No. : 40000100) from the insertion opening.
* Panel function does not work with the cover opened.
- 2) Selection of data
Press ① in the communication setting screen to display the data selection screen. Data form which is selected at present is shown in reverse video.

■ Data selection screen



[Explanation of the pictograph]

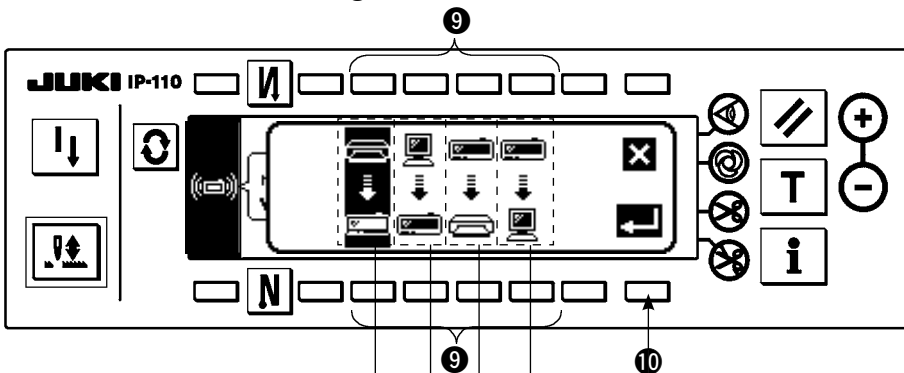
: Parameter data : Vector form data

Press ⑦ and determine with ⑧ after selecting the parameter.

- 3) Selection of communication method

Press ② in the communication setting screen to display the communication method setting screen.

■ Communication setting screen



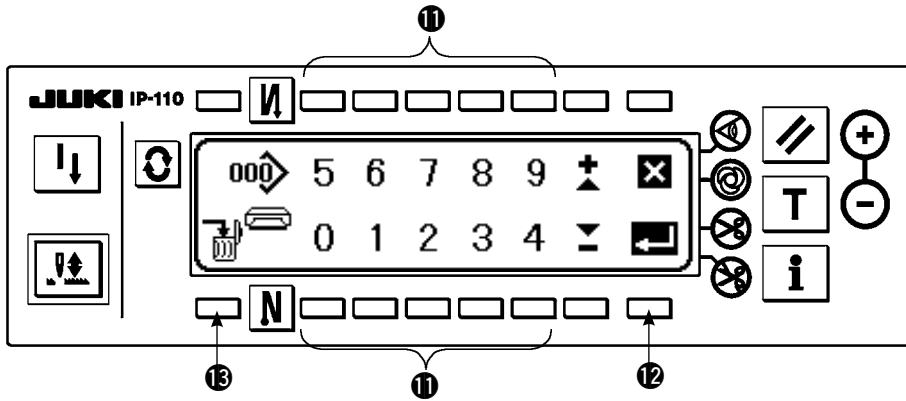
Communication method which is selected at present is shown in reverse video.

- | | | | | | |
|---|---|---------------------------|---|---|----------------------|
| ↓ | A | : Download from the media | ↓ | B | : Download from SU-1 |
| ↑ | C | : Upload to the media | ↑ | D | : Upload to SU-1 |

Press ⑨ to select download from the media. Then press ⑩ to determine.

4) Selection of file No. of the media

■ File No. input screen



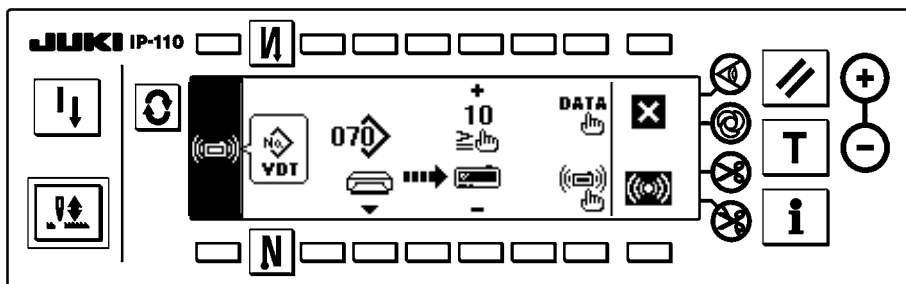
Press ③ in the communication setting screen to display the file No. of media input screen. Input the file No. of media with ⑪. The file No. which has been inputted is displayed in . The No. is determined with ⑫ after inputting the file No.

* As the file No. of the example is 070, input 070 with ⑪ in the file input screen (ten key screen) and determine with ⑫.

5) Custom pattern No. setting

■ Communication setting screen

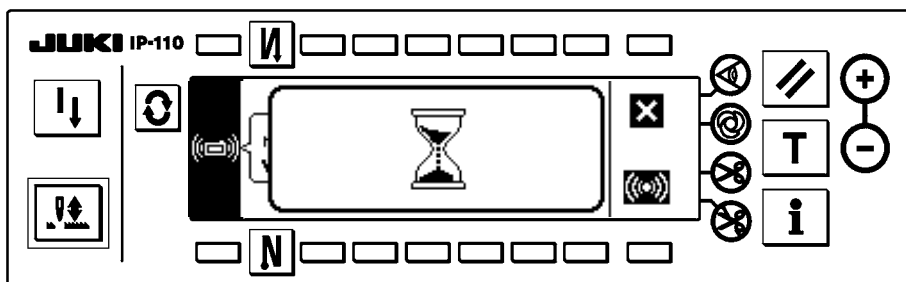
* Screen display when file No. 070 and custom pattern No. 10 are selected.



Press ④ and ⑤ in the communication setting screen to set the custom pattern No.

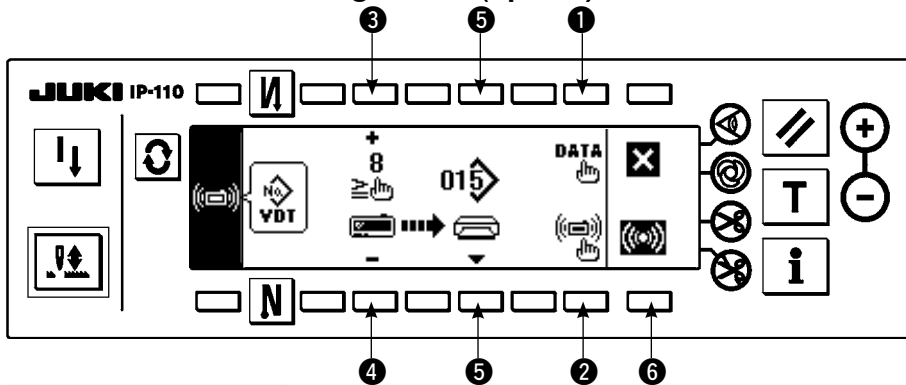
6) Start of download

■ During communication screen



When all setting procedures have been completed, press ⑥ in the communication setting screen to start downloading. When the screen returns to the communication setting screen after display of the during communication screen, communication is completed.

■ Communication setting screen (upload)



Example of upload

Example) Custom pattern No. 8 is uploaded as the vector form file No. 15 of the media.

1) Open the media cover and insert the Compactflash(TM) (Optional Part No. : 40000100) from the insertion opening.

* Panel function does not work with the cover opened.

2) Selection of data

Press ① in the communication setting screen to display the data selection screen (refer to p. 75).

Determine the data after selecting the parameter data.

3) Selection of communication method

Press ② in the communication setting screen to display the communication method setting screen (refer to p. 75).

Press ⑨ in the communication setting method screen and press ⑩ to determine after selecting upload from the media.

4) Setting of the custom pattern No.

Press ③ and ④ in the communication setting screen (upload) to set the custom pattern No.

5) Selection of the file No. of the media

Press ⑤ in the communication setting screen (upload) to display the file No. of the media input screen (refer to p. 76). Input the file No. of the media with ⑪. The inputted file No. is displayed in \square . After inputting the file No., determine it with ⑫.

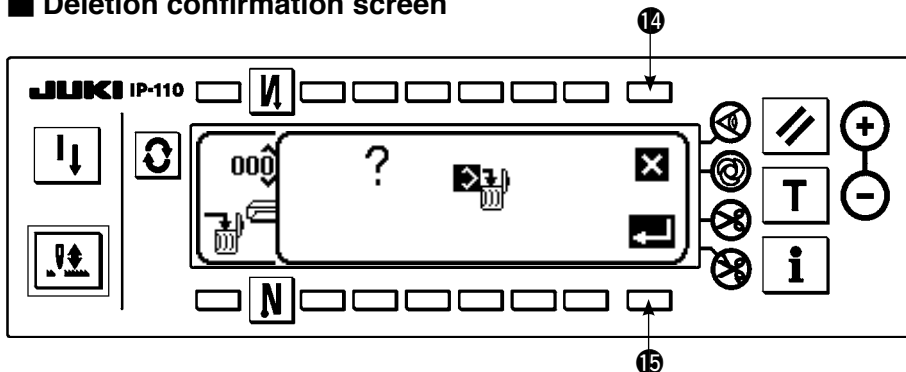
6) Start of the upload

When all setting procedures have been completed, press ⑥ in the communication setting screen to start uploading. When the screen returns to the communication setting screen (upload) after display of the during communication screen (refer to p. 76), communication is completed.

[How to delete the file of the media]

Press switch ⑬ after selecting the No. you desire to delete in the file No. of the media input screen (refer to p. 76), and the screen moves to the deletion confirmation screen.

■ Deletion confirmation screen



Press ⑭ and the deletion is discontinued. Then the screen returns to the file No. input screen. Press ⑮ and the deletion is executed. Then the screen returns to the file No. input screen.



The deleted file is not restored. Be very careful when executing the deletion.

6-16. Setting for functions

(1) How to change over to the function setting mode



Do not perform switch operations other than those described in the following explanations. Be sure to re-turn the power switch ON after one second or more has passed. If the power is turned ON immediately after turning it OFF, the sewing machine may not work normally. In this case, turn ON the power again.



WARNING :

To avoid possible personal injuries caused by movement other than that you desired, do not operate the switches in the procedure other than those required, as described below, to specify the functions.

There are two kinds of function settings, Level 1 and Level 2.

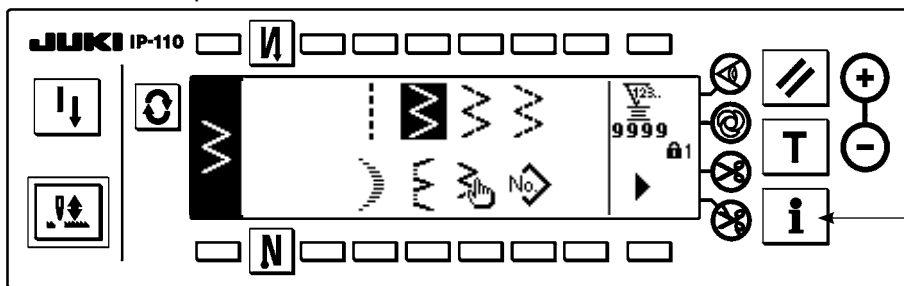
Level 1 : Change of setting can be performed without turning OFF the power switch.

Level 2 : It is necessary to turn OFF the power switch after change of setting.

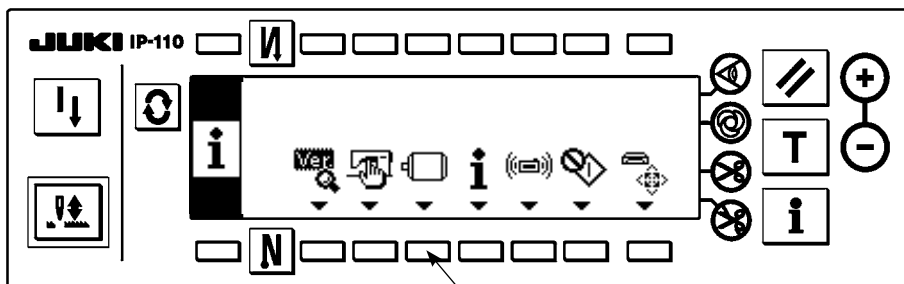
For the details of setting No., see p81.

[Setting procedure of Level 2]

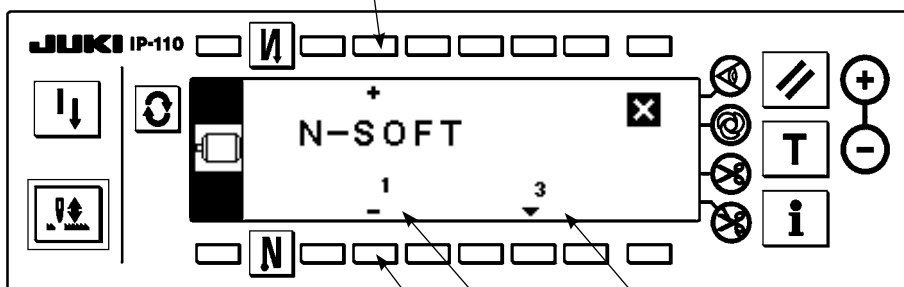
1) Turn ON the power. When the needle bar is not in its UP position, turn the handwheel to bring the needle bar to its UP position.



2) Press switch ① for approximately three seconds.



3) Press switch ② for approximately three seconds.

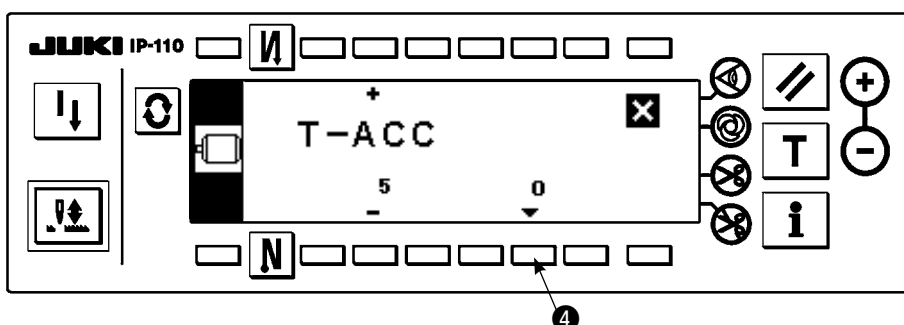


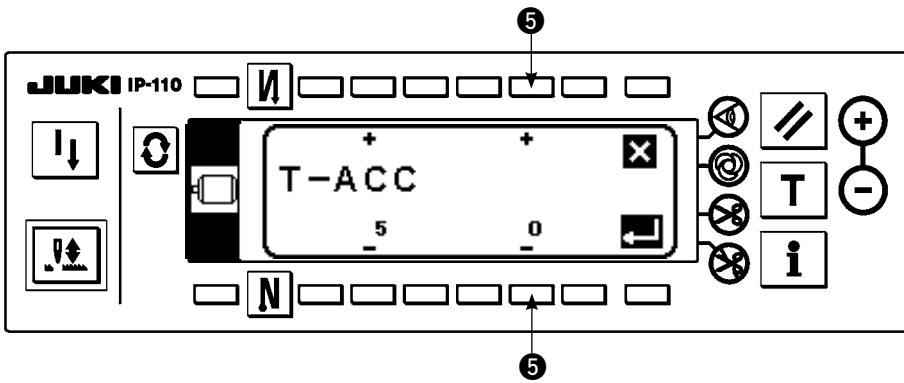
4) This screen is the function setting screen. Change the setting No. with "+/-" Key of switch ③. For the details of setting No., see P 81.

Example) Changing the flicker reducing function (Setting No. 5)

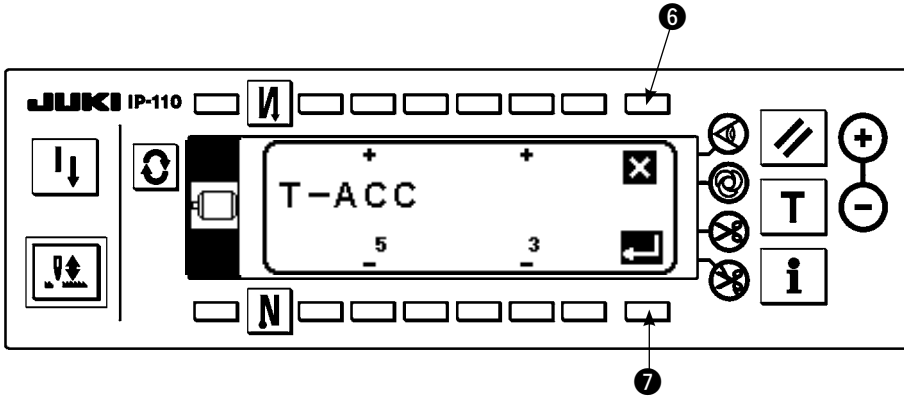
Change the setting No. to "5" with "+" Key of switch ③ in the figure above.

· Press switch ④.



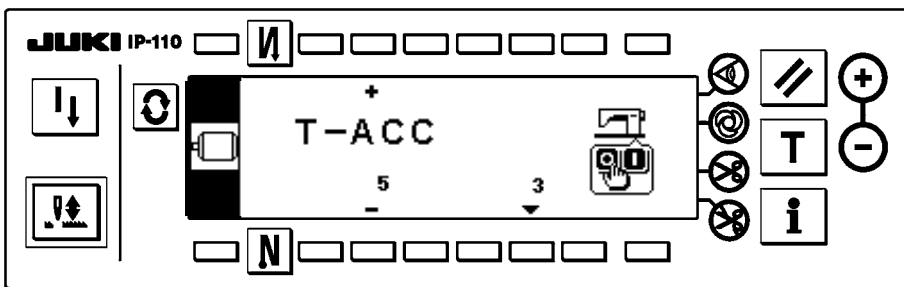


- Change set value with “+/-” Key of switch **5**.



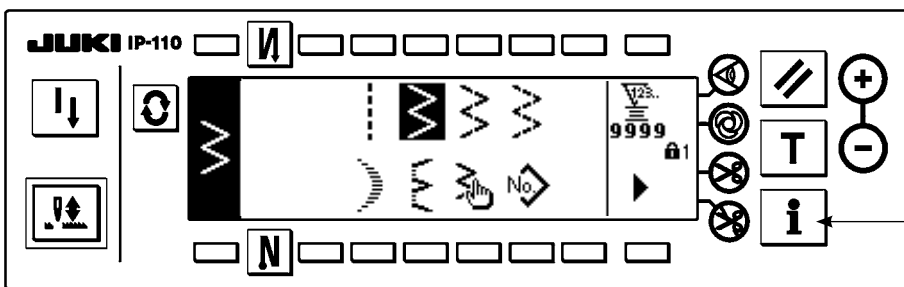
The set value has been changed from “0” to “3”.

- When this changed value is acceptable, press switch **7**.
When you desire to return the value to the previous one, press switch **6**.

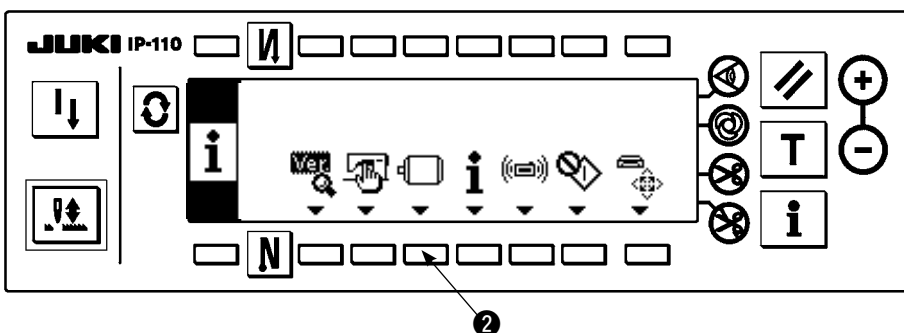


- Turn OFF the power switch and turn ON the power switch after approximately one second.
- Change of the set value is determined by turning OFF the power switch.

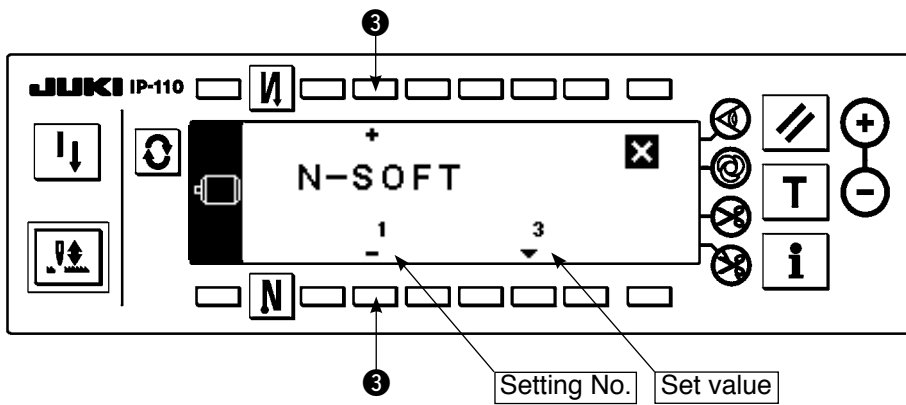
[Setting procedure of Level 1]



- 1) Press switch **1** for approximately three seconds.

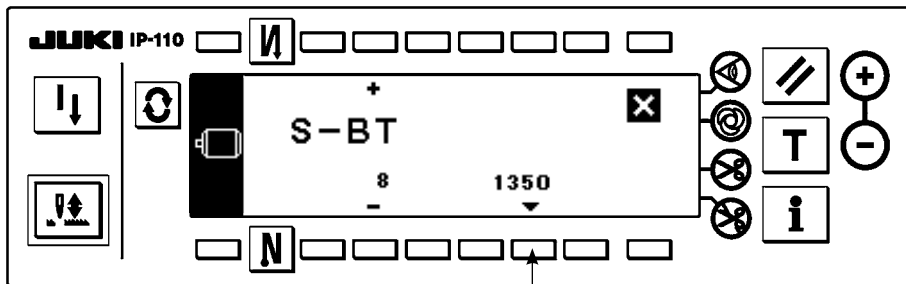


- 2) Press switch **2**.



- 3) This screen is the function setting screen.
Change the setting No. with “+/-” Key of switch ③.

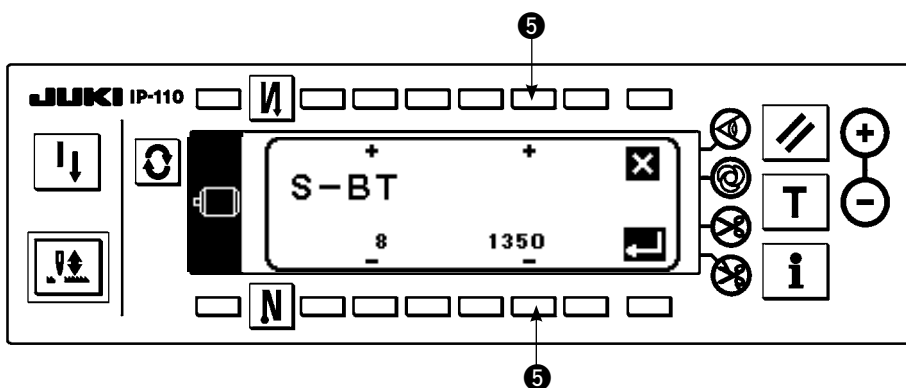
For the details of setting No., see page 81.



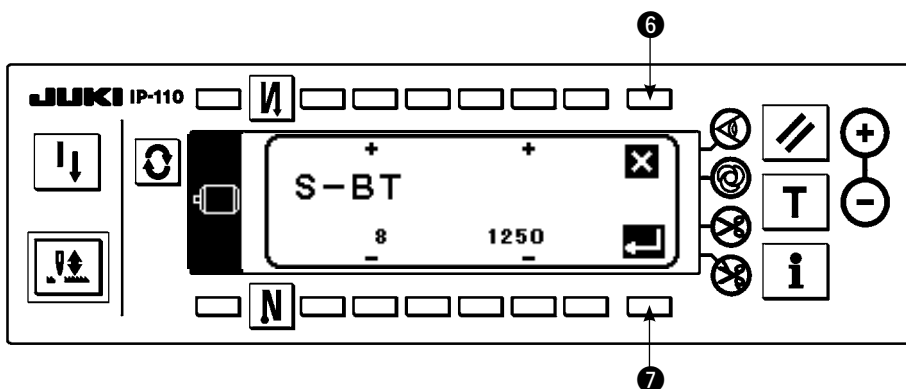
Example) Changing the number of rotation of reverse feed stitching (Setting No. 8)

Change the setting No. to “8” with “+” Key of switch ④ in the figure above.

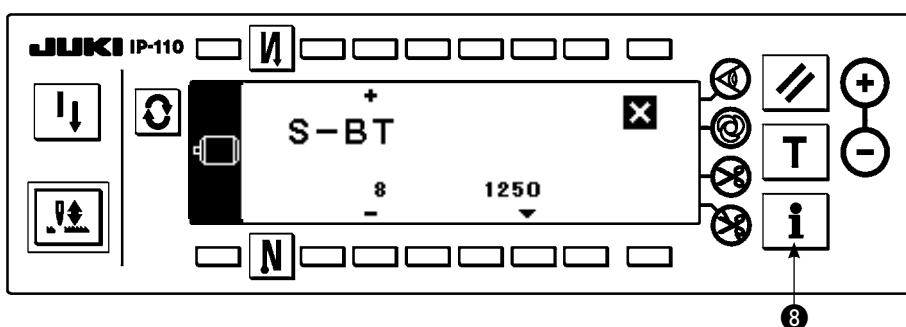
- Press switch ④.



- Change the set value with “+/-” Key of switch ⑤.



- Set value has been changed from 1350 to 1250.
- When this changed value is acceptable, press switch ⑦.
Press switch ⑥ when you desire to return the value to the former one.



- Press switch ⑧ in case of sewing.

(2) Function setting list

No.	Item	Description	Setting level	Setting range	Panel display Standard set value	Ref. Page
1	Soft start function	The number of stitches to be sewn at a low speed when the soft-start function is used at the start of sewing. 0 : Soft-start function is not operative	1	0 to 9	N-SOFT 3	85
5	Flicker reducing function	Flicker reducing function (If the hand lamp flickers.) 0 : Flicker reducing function is not operative 1 : Less effective ii 8 : Highly effective	2	0 to 8	T-ACC 0	85
*	7	Unit of bobbin thread counting down 0 : Count/10 stitches 1 : Count/15 stitches 2 : Count/20 stitches	1	0/1/2	RATIO 0	
*	8	Number of rotation of reverse feed stitching	1	150 to 3000	S-BT 1350	
10	Setting of needle bar stop position when the sewing machine stops.	Position of needle bar is specified when the sewing machine stops. 0 : Predetermined lowest position 1 : Predetermined highest position	2	1/0	NPS 0	85
11	Click sound of panel switch	Click sound of panel switch is specified. 0 : Without click 1 : With click	2	1/0	SOUND 1	85
12	Optional switch function selection	Switching of functions of optional switch 0 : No function 1 : Needle up/down compensating stitching 2 : No function 3 : No function 4 : Thread trimming function 5 : Presser foot lifting function 6 : One stitch compensating stitching 7 : No function 8 : Pedal neutral presser lifting function selection Do not set to 2, 3 and 7. If these numbers are set, trouble or accident will be caused.	2	0 to 8	SW2 0	86
*	13	Function of prohibiting start of the sewing machine by bobbin thread counter 0 : When counting is out (-1 or less), function of prohibiting start of the sewing is not operative. 1 : When counting is out (-1 or less), function of prohibiting start of the sewing machine is operative. 2 : Function of "1" + counter (-1 or less) stop (temporary stop)	2	0/1/2	ASCNT 0	
18	Bird's nest prevention function	Effective in combination with machine head with bird's nest prevention function 0 : Without bird's nest prevention function 1 : With bird's nest prevention function 2 : With bird's nest prevention function with needle thread release after clamp function	2	0/1/2	BNC 0	
19	Needle thread release at sewing start function	Effective in combination with machine head with bird's nest prevention function 0 : Without needle thread release function 1 : With needle thread release function	2	1/0	THOLD 0	
21	Function of neutral presser lifting	Function of lifting presser foot when the pedal is in neutral position. 0 : Function of neutral automatic presser lifting is not operative. 1 : Selection of function of neutral presser lifting.	2	1/0	N-NPL 0	86
22	Function of changeover of compensating switch on the operation panel function	Function of needle up/down compensating switch on the operation panel can be changed. 0 : Needle up/down compensation 1 : One stitch compensation	2	1/0	F-CMSP 0	86
23	Presser lifting function selection	Presser lifting function selection 0 : Ineffective 1 : Effective	2	1/0	F-AFL 0	
*	24	Function of fine adjustment of number of rotation Be sure to normally use this function with "0".	2	±15	F-FAS 0	
28	Number of stitches of bird's nest needle thread release	Effective in combination with machine head with bird's nest prevention function Number of stitches from start of sewing to release of needle thread can be set.	1	0 to 30	F-UTHR 1	

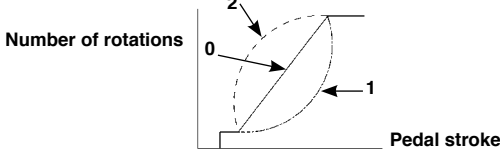
* Do not change the set values with asterisk (*) mark as they are functions for maintenance. If the standard set value set at the time of delivery is changed, it is in danger of causing the machine to be broken or the performance to be deteriorated. If it is necessary to change the set value, please purchase the Engineer's Manual and follow the instructions. (Descriptions of setting in this list are the standard values at the time of delivery of LZ-2290A.)
However, contents of function setting are subject to change for improvement of function and performance without notice.

No.	Item	Description	Setting level	Setting range	Panel display Standard set value	Ref. Page	
30	Function of reverse feed stitching on the way	Function of reverse feed stitching on the way 0 : Function of reverse stitching on the way is not operative. 1 : Function of reverse feed stitching on the way is operative.	2	1/0	OBT 0	87	
31	Number of stitches of reverse feed stitching on the way	Number of stitches of reverse feed stitching on the way.	2	0 to 19	N-OBT 4	87	
32	Effective condition of reverse feed stitching on the way when the sewing machine is stopping.	Effective condition of reverse feed stitching on the way 0 : Function is not operative when the sewing machine stops. 1 : Function is operative when the sewing machine stops.	2	1/0	OBTS 0	87	
33	Thread trimming function by reverse feed stitching on the way	Thread trimming function by reverse feed stitching on the way 0 : Automatic thread trimming function after completion of reverse feed stitching on the way is not operative. 1 : Automatic thread trimming after completion of reverse feed stitching on the way is performed.	2	1/0	OBTT 0	87	
*	35	Number of rotation at a low speed	Lowest speed by pedal	1	20 to 400	S-POS 200	
*	36	Number of rotation of thread trimming	Thread trimming speed	2	20 to 250	S-TRM 180	
	37	Number of rotation of soft-start	Sewing speed at the start of sewing (soft-start)	1	150 to 5500	S-SOFT 1200	
	38	One-shot speed	Setting of number of revolution at the time of one-shot automatic sewing	1	200 to 5500	S-ASS 2000	
*	39	Pedal stroke at the start of rotation	Position where the sewing machine starts rotating from pedal neutral position (Pedal stroke)	2	10 to 50	P-SSP 30	
*	40	Low speed section of pedal	Position where the sewing machine starts accelerating from pedal neutral position (Pedal stroke)	2	10 to 100	P-LSA 60	
*	41	Starting position of lifting presser foot by pedal	Position where the cloth presser starts lifting from pedal neutral position (Pedal stroke)	2	-60 to -10	P-FLW -21	
*	42	Starting position of lowering presser foot	Starting position of lowering presser foot Stroke from the neutral position	2	8 to 50	P-FLD 10	
*	43	Pedal stroke 2 for starting thread trimming	Position 2 where the thread trimming starts from pedal neutral position (When the function of lifting presser foot by pedal is provided.) (Pedal stroke)	2	-60 to -110	P-TRM2 -51	
*	44	Pedal stroke for reaching the maximum number of rotation	Position where the sewing machine reaches its highest sewing speed from pedal neutral position (Pedal stroke)	2	10 to 150	P-MAX 150	
*	45	Compensation of neutral point of the pedal	Compensation value of the pedal sensor	2	-15 to 15	P-ANP 0	
*	46	Auto-lifter selecting function	Auto-lifter selection 0 : Solenoid drive system 1 : Pneumatic drive system	2	1/0	FLSEL 0	88
*	47	Holding time of lifting auto-lifter	Limitation time of waiting for lifting solenoid type auto-lifter device	2	10 to 600	T-FL 60	88
*	48	Pedal stroke 1 for starting thread trimming	Position where thread trimming starts from pedal neutral position (Standard pedal) (Pedal stroke)	2	-60 to -10	P-TRM1 -51	
*	49	Lowering time of presser foot	Lowering time of presser foot after the pedal has been depressed. (Start of rotation of the sewing machine is delayed during this time.)	2	0 to 250	T-FLWT 140	89

* Do not change the set values with asterisk (*) mark as they are functions for maintenance. If the standard set value set at the time of delivery is changed, it is in danger of causing the machine to be broken or the performance to be deteriorated. If it is necessary to change the set value, please purchase the Engineer's Manual and follow the instructions. (Descriptions of setting in this list are the standard values at the time of delivery of LZ-2290A.) However, contents of function setting are subject to change for improvement of function and performance without notice.

No.	Item	Description	Setting level	Setting range	Panel display Standard set value	Ref. Page
* 51	Compensation of solenoid-on timing of reverse feed stitching at the start of sewing	Compensation of starting the solenoid for reverse feed stitching when reverse feed stitching at the start of sewing is performed.	1	-36 to 36	T-SON 0	88
* 52	Compensation of solenoid-off timing of reverse feed stitching at the start of sewing	Compensation of releasing the solenoid for reverse feed stitching when reverse feed stitching at the start of sewing is performed.	1	-36 to 36	T-SOFF 0	88
* 53	Compensation of solenoid-off timing of reverse feed stitching at the end of sewing	Compensation of releasing the solenoid for reverse feed stitching when reverse feed stitching at the end of sewing is performed.	1	-36 to 36	T-EOFF 0	88
55	Foot lift after thread trimming	Function of lifting presser foot at the time of (after) thread trimming 0 : Not provided with the function of lifting presser foot after thread trimming 1 : Provided with the function of lifting presser foot automatically after thread trimming	2	1/0	FLAT 1	89
56	Reverse revolution to lift the needle after thread trimming	Function of reverse revolution to lift the needle at the time of (after) thread trimming 0 : Not provided with the function of reverse revolution to lift the needle after thread trimming 1 : Provided with the function of reverse revolution to lift the needle after thread trimming	2	1/0	RATRM 0	89
58	Function of holding predetermined upper/lower position of the needle bar	Function of holding predetermined upper/lower position of the needle bar 0 : Not provided with the function of holding predetermined upper/lower position of the needle bar 1 : Provided with the function of holding predetermined upper/lower position of the needle bar	2	1/0	HPOS 0	89
59	Function of Auto/Manual change-over of reverse feed stitching at the start of sewing	This function can specify the sewing speed of reverse feed stitching at the start of sewing. 0 : The speed will depend on the manual operation by pedal, etc. 1 : The speed will depend on the specified reverse feed stitching speed (No. 8).	2	1/0	SBTO 1	89
60	Function of stop immediately after reverse feed stitching at the start of sewing	Function at the time of completion of reverse feed stitching at the start of sewing 0 : Not provided with the function of temporary stop of the sewing machine at the time of completion of reverse feed stitching at the start of sewing 1 : Provided with the function of temporary stop of the sewing machine at the time of completion of reverse feed stitching at the start of sewing.	2	1/0	SBTQ 0	89
* 64	Change-over speed of condensation stitch or EBT (end back tack)	Initial speed when starting EBT	2	0 to 250	S-WAIT 170	
67	Presser lifting solenoid output duty setting	Presser lifting solenoid output duty [%]	2	5 to 40	FLDTY 20	
70	Function of soft-down of presser foot	Presser foot is slowly lowered. 0 : Presser foot is rapidly lowered. 1 : Presser foot is slowly lowered.	2	0/1	F-SDFL 0	89
71	Function of limitation of re-acceleration from reduction of speed	Speed limitation is performed at the time of re-acceleration on the way of reducing speed of the sewing machine. It is effective when operating inching sewing.	2	0 to 5	F-ACRA 0	90
72	Function of limitation of acceleration at the start of rotation	Speed limitation is performed at the time of start-up of the sewing machine (excluding the start of sewing). It is effective when operating inching sewing.	1	0 to 5	F-ACR 1	90
73	Retry function	This function is used when needle cannot pierce materials . 0 : Normal 1 : Retry function is provided.	1	1/0	F-RET 1	90

* Do not change the set values with asterisk (*) mark as they are functions for maintenance. If the standard set value set at the time of delivery is changed, it is in danger of causing the machine to be broken or the performance to be deteriorated. If it is necessary to change the set value, please purchase the Engineer's Manual and follow the instructions. (Descriptions of setting in this list are the standard values at the time of delivery of LZ-2290A.) However, contents of function setting are subject to change for improvement of function and performance without notice.

No.	Item	Description	Setting level	Setting range	Panel display Standard set value	Ref. Page
76	Function to select the start-up speed of the sewing machine	Starting curve of the sewing machine is selected. 0 : Normal curve 1 : More sharp curve	2	1/0	F-SCS 0	90
84	Presser lifting solenoid initial start suction time	Suction motion time of presser lifting solenoid [msec]	2	40 to 300	T-PUT 100	
87	Function of pedal curve selection	Pedal curve is selected. (Improving pedal inching operation) 	2	0/1/2	F-PCS 0	90
89	Return of needle thread feed	Return of feed function 0 : Without function 1 : With function	2	1/0	TRS 1	
* 91	Function of prohibiting compensation operation after turning handwheel by hand	Function of compensating stitching when turning handwheel by hand at the time of completion of constant-dimension stitching 0 : Function of compensating stitching is effective. 1 : Function of compensating stitching is prohibited.	2	1/0	F-PMAT 1	
92	Function of reducing speed of reverse feed stitching at the start of sewing	Function to reduce speed at the time of reverse feed stitching at the start of sewing. 0 : Speed is not reduced. 1 : Speed is reduced.	2	1/0	F-DSBT 0	90
93	Function added to needle up/down compensating switch	Operation of needle up/down compensating switch is changed after turning ON the power or thread trimming. 0 : Normal (needle up/down compensating stitching only) 1 : One stitch compensating stitching is performed only when aforementioned changeover is made. (Upper stop i upper stop)	2	1/0	F-MADF 0	91
96	Max. number of rotation setting	Max. number of rotation of the sewing machine head can be set. * Setting varies in accordance with resistance pack to be connected.	2	50 to MAX	S-MAX 4000	91
100	Thread release at sewing start function	Thread release at sewing start function Setting of number of stitches to actuate thread release function at the start of sewing	2	0 to 9	F-THLS 0	
101	Counter function selection	Counter function selection Whether counter operates every thread trimming or manually is selected. 0 : Every thread trimming 1 : By manual SW	2	1/0	F-MAC 0	
103	Pedal sensor neutral compensation function	Pedal sensor neutral compensation function 0 : Pedal sensor neutral compensation function is ineffective 1 : Pedal sensor neutral compensation function is effective	2	1/0	F-ANP 0	

* Do not change the set values with asterisk (*) mark as they are functions for maintenance. If the standard set value set at the time of delivery is changed, it is in danger of causing the machine to be broken or the performance to be deteriorated. If it is necessary to change the set value, please purchase the Engineer's Manual and follow the instructions. (Descriptions of setting in this list are the standard values at the time of delivery of LZ-2290A.) However, contents of function setting are subject to change for improvement of function and performance without notice.

(3) Detailed explanation of selection of functions

① Selection of the soft-start function (Function setting No.1 N-SOFT)

The needle thread may fail to interlace with the bobbin thread at the start of sewing when the stitching pitch (stitch length) is small or a thick needle is used. To solve such problem, this function (called "soft-start") is used to limit the sewing speed, thereby assuring successful formation of the starting stitches.

0 : The function is not selected.

1 to 9 : The number of stitches to be sewn under the soft-start mode.

The sewing speed limited by the soft-start function can be changed. (Function setting No.37 S-SOFT)

Data setting range

150 to 5,500 sti/min <50 sti/min>

② Flicker reducing function (Function setting No.5 T-ACC)

The function reduces flickering of the hand lamp at the start of sewing. The higher the set value increases, the more effective the function will work.

Setting range

0 to 8

0 : Flicker reducing function does not work.

to

8 : Flickering is effectively reduced.



The more effective the flicker reducing function works (the more the set value is made), the lower the start-up speed of the sewing machine will become.

③ Setting of the needle bar stop position when the sewing machine stops (Function setting No.10 NPS)

The position of the needle bar when the pedal is in its neutral position is specified.

0 : Down The needle bar stops in the lowest position of its stroke.

1 : Up The needle bar stops in the highest position of its stroke.



If the stop position of the needle bar is set to the highest position, the thread trimming action will be taken after the needle bar comes down once to the lowest position.

④ Sound of click of the key switch mounted on the PSC box (Function setting No.11 SOUND)

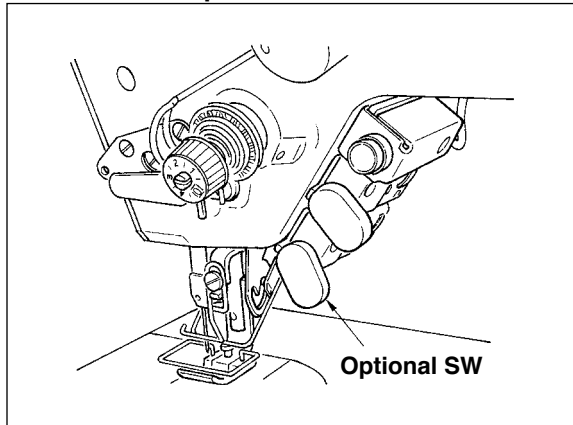
This function selects whether the sound is effective or ineffective when operating the four key switches mounted on the PSC box.

0 : off The sound of click is ineffective.

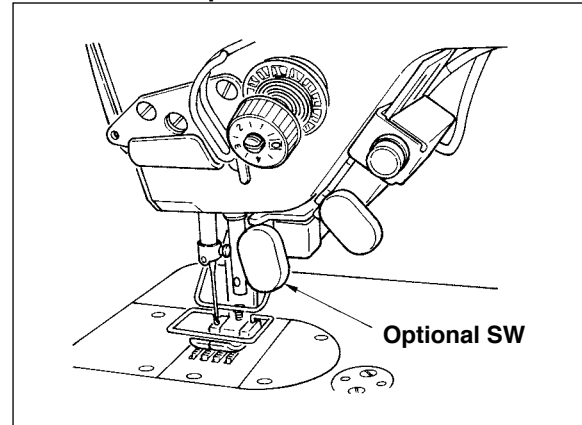
1 : on The sound of click is effective.

- ⑤ **Optional switch function selection (Function setting No.12 SW 2) : It is used only when it is combined with the machine head provided with the optional switch.**
 (Optional SW kit Part No. : 40003640)

A. In case of the machine with the auxiliary thread take-up lever



B. In case of the machine without the auxiliary thread take-up lever



Functions to be assigned to the optional switch can be selected from the following functions.

- 0 : No function (Standard setting)
 - 1 : Needle up / down compensating stitching : Every time the switch is pressed, normal feed stitching by half stitch is performed. (Same operation as that of up/down compensating stitching switch on the panel.)
 - 2 : No function
 - 3 : No function
 - 4 : Thread trimming function : This function is actuated as the thread trimming switch.
 - 5 : Presser foot lifting function : This function is actuated as the foot lifter switch.
 - 6 : One stitch compensating stitch : Every time the switch is pressed, one stitch stitching operation is executed.
 - 7 : No function
 - 8 : Pedal neutral presser lifting function selection
- Do not set to 2, 3, and 7. If these numbers are set, trouble or accident will be caused.

- ⑥ **Neutral automatic presser lifting function (with AK device only) (Function setting No.21 N-NPL)**

This function can automatically lift the presser foot when the pedal is in the neutral position. Automatic lifting time of the pedal depends on the automatic lifting time after thread trimming and when the presser foot is automatically lowered, it is automatically lifted at the second neutral position after it has come off the neutral position once.

- 0 : off Function of neutral automatic presser lifting is not operative.
- 1 : on Selection of function of neutral automatic presser lifting

- ⑦ **Function of changeover of needle up/down compensating switch on the operation panel function (Function setting No. 22 F-CMSP)**

Function of needle up/down compensating switch on the panel of IP-110 can be changed over to needle up/down compensating stitching or one stitch compensating stitching.

- 0 : Needle up/down compensating stitching
- 1 : One stitch compensating stitching

⑧ **Function of reverse feed stitching on the way (Function setting Nos. 30 to 33 OBT, OBTS, OBTT)**

Functions of the limit of number of stitches and thread trimming command can be added to the touch back switch on the sewing machine head.

Function setting No. 30 Function of reverse feed stitching on the way is selected.

- 0 : off Normal back-tack function
- 1 : on Function of reverse feed stitching on the way

Function setting No. 31 Number of stitches performing reverse feed stitching on the way is set.

0 to 19 stitches <1 / stitch>

Function setting No. 32 Effective condition of reverse feed stitching on the way

- 0 : off Inoperative when the sewing machine stops.
(Reverse feed stitching on the way functions only when the sewing machine is running.)
- 1 : on Operative when the sewing machine stops.
(Reverse feed stitching on the way functions both when the sewing machine is running and stops.)

Either condition is operative when the sewing machine is running.

Function setting No. 33 Thread trimming is performed when reverse feed stitching on the way is completed.

- 0 : off Without thread trimming
- 1 : on Thread trimming is executed.

Actions under each setting state

Application	Function setting			Output function
	No.30	No.32	No.33	
①	0	0 or 1	0 or 1	It works as normal touch-back switch.
②	1	0	0	When operating touch-back switch at the time of depressing front part of the pedal, reverse feed stitching as many as the number of stitches specified by the function setting No. 31 can be performed.
③	1	1	0	When operating touch-back switch at the time of either stop of the sewing machine or depressing front part of the pedal, reverse feed stitching as many as the number of stitches specified by the function setting No. 31 can be performed.
④	1	0	1	When operating touch-back switch at the time of depressing front part of the pedal, automatic thread trimming is performed after reverse feed stitching as many as the number of stitches specified by the function setting No. 31 has been performed.
⑤	1	1	1	When operating touch-back switch at the time of either stop of the sewing machine or depressing front part of the pedal, automatic thread trimming is performed after reverse feed stitching as many as the number of stitches specified by the function setting No. 31 has been performed.

- ① Used as the normal reverse feed stitching touch-back switch.
- ② Used for reinforcing seam (lapped seam) during sewing. (It works only when the sewing machine is running.)
- ③ Used for reinforcing seam (lapped seam) during sewing. (It works either when the sewing machine stops or when the sewing machine is running.)
- ④ Used as starting switch for reverse feed stitching at the sewing end. (Used as the substitute for thread trimming by depressing back part of the pedal. It works only when the sewing machine is running. It is especially effective when the sewing machine is used as the standing-work machine.)
- ⑤ Used as starting switch for reverse feed stitching at the sewing end. (Used as the substitute for thread trimming by depressing back part of the pedal. It works either when the sewing machine stops or when the sewing machine is running. It is especially effective when the sewing machine is used as the standing-work machine.)



***It is not possible with types other than WB, CB and 0B types.
Touch-back kit (separately sold, Part No. 40010795) is necessary.**

⑨ **Holding time of lifting presser foot (Function setting No.47 T-FL)**

Solenoid type presser foot lifter (No. 46 0) can adjust the holding time control of lifting presser foot. This function automatically lowers the presser foot when the time set with the setting No. 47 has passed after lifting the presser foot.

When the pneumatic type presser foot lifter (No. 46 1) is selected, the holding time control of lifting presser foot is limitless regardless of the set value.

Setting range
10 to 600 sec <10 / sec>

⑩ **Compensation of timing of the solenoid for reverse feed stitching (Function setting Nos.51 to 53 T-SON, T-SOFF, T-EOFF)**

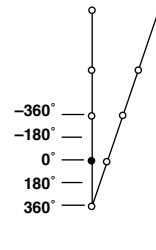
When the normal and reverse feed stitches are not uniform under the automatic reverse feed stitching action, this function can change the ON/OFF timing of the solenoid for back tack and compensate the timing.

① Compensation of on-timing of solenoid for reverse feed stitching at the start of sewing (Function setting No. 51)

On-timing of solenoid for reverse feed stitching at the start of sewing can be compensated in the increments of 10°.

Adjusting range
-36 to 36 <1/10°>

Set value	Compensation angle	Number of stitches of compensation
-36	-360°	-1
-18	-180°	-0.5
0	0°	0
18	180°	0.5
36	360°	1



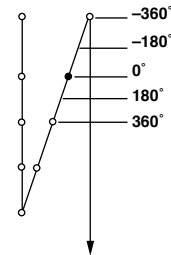
※ When the point before 1 stitch is regarded as 0°, compensation is possible by 360° (1 stitch) in front and in the rear.

② Compensation of off-timing of solenoid for reverse feed stitching at the start of sewing (Function setting No. 52)

Off-timing of solenoid for reverse feed stitching at the start of sewing can be compensated in the increments of 10°.

Adjusting range
-36 to 36 <1/10°>

Set value	Compensation angle	Number of stitches of compensation
-36	-360°	-1
-18	-180°	-0.5
0	0°	0
18	180°	0.5
36	360°	1

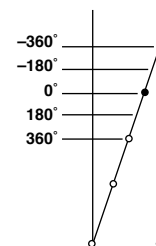


③ Compensation of off-timing of solenoid for reverse feed stitching at the end of sewing (Function setting No. 53)

Off-timing of solenoid for reverse feed stitching at the end of sewing can be compensated in the increments of 10°.

Adjusting range
-36 to 36 <1/10°>

Set value	Compensation angle	Number of stitches of compensation
-36	-360°	-1
-18	-180°	-0.5
0	0°	0
18	180°	0.5
36	360°	1



⑪ **Foot lift function after thread trimming (Function setting No.55 FLAT)**

This function can automatically lift the presser foot after thread trimming. This function is effective only when it is used in combination with the AK device.

- 0 : off Function of automatically lifting the presser foot is not provided.
(Presser foot does not automatically go up after thread trimming.)
- 1 : on Function of automatically lifting the presser foot is provided.
(Presser foot automatically goes up after thread trimming.)

⑫ **Reverse revolution to lift the needle after thread trimming (Function setting No.56 RATRM)**

This function is used to make the sewing machine rotate in the reverse direction after thread trimming to lift the needle bar almost to highest position. Use this function when the needle appears under the presser foot and it is likely to make scratches on the sewing products of heavy-weight material or the like.

- 0 : off Function of making the sewing machine rotate in the reverse direction to lift the needle after thread trimming is not provided.
- 1 : on Function of making the sewing machine rotate in the reverse direction to lift the needle after thread trimming is provided.



The needle bar is raised, by rotating the machine in the reverse direction, almost to the highest dead point. This may result in slip-off of the needle thread. It is therefore necessary to adjust the length of thread remaining after thread trimming properly.



When the function of reverse revolution to lift the needle after thread trimming is set, the needle bar is out of the UP position after thread trimming. It is necessary to turn the handwheel by hand when turning ON the power next time. It is not possible to enter the edit screen at the time of reverse revolution to lift the needle after thread trimming. It is necessary to adjust the position to UP position by turning the handwheel by hand before entering the edit screen.

⑬ **Function of holding predetermined upper / lower position of the needle bar (Function setting No.58 HPOS)**

When the needle bar is in the upper position or in the lower position, this function holds the needle bar by applying a brake slightly.

- 0 : off Function of holding predetermined upper/lower position of the needle bar is ineffective.
- 1 : on Function of holding predetermined upper/lower position of the needle bar is effective.

⑭ **Change-over function of AUTO/Pedal for sewing speed of the reverse feed stitching at the start of sewing (Function setting No.59 SBTO)**

This function selects whether the reverse feed stitching at the start of sewing is performed without a break at the speed set by the function setting No. 8 or the stitching is performed at the speed by the pedal operation.

- 0 : Manu The speed is indicated by the pedal operation.
- 1 : Auto Automatic stitching at the specified speed



1. The max. sewing speed of the reverse feed stitching at the start of sewing is limited to the speed set by the function setting No. 8 regardless of the pedal.
2. When "0" is selected, stitches of reverse feed stitching may not match those of normal feed stitching.

⑮ **Function of stop immediately after the reverse feed stitching at the start of sewing (Function setting No.60 SBTQ)**

This function temporarily stops the sewing machine even when keeping depressing the front part of the pedal at the time of completion of process of reverse feed stitching at the start of sewing.

It is used when sewing a short length by reverse feed stitching at the start of sewing.

- 0 : Not provided with the function of temporary stop of the sewing machine immediately after the reverse feed stitching at the start of sewing
- 1 : Provided with the function of temporary stop of the sewing machine immediately after the reverse feed stitching at the start of sewing

Stop the sewing machine temporarily to change direction of sewing products.

①⑥ Function of soft-down of presser foot (with AK device only) (Function setting Nos.70 and 49 F-SDFL, T-FLWT)

This function can softly lower the presser foot.

This function can be used when it is necessary to decrease contact noise, cloth defect, or slippage of cloth at the time of lowering the presser foot.



Change the time of function setting No. 49 together at the time of selecting the function of soft-down since the sufficient effect cannot be obtained unless the time of function setting No. 49 is set longer when lowering the presser foot by depressing the pedal.

0 to 250 ms
10 ms/Step

0 : Function of soft-down of presser foot is not operative. (Presserfoot is rapidly lowered.)
1 : Selection of function of soft-down of presser foot

①⑦ Function of improving inching operation (Function setting Nos.71 and 72 F-ACRA, F-ACR)

This function improves operability of one-stitch sewing by operating the high-speed switch for the pedal or sewing machine for standing work.

The more the set value becomes, the more the speed limitation at the start of rotation is remarkably added and operability of one-stitch sewing is improved.[∞]

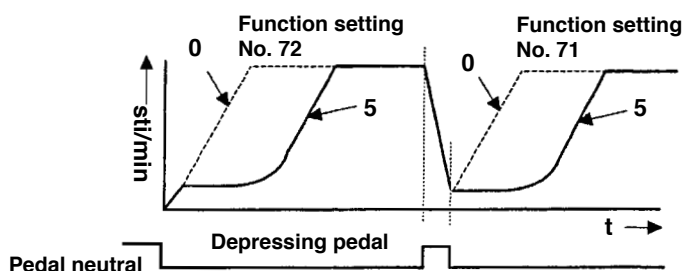
Function setting No. 71 limits the speed at the time of re-acceleration on the way of reducing speed.
Function setting No. 72 limits acceleration from the stop state.



This function fails to work when turning ON the power or starting sewing immediately after thread trimming.

0 to 5
1/Step

0 to 5
1/Step

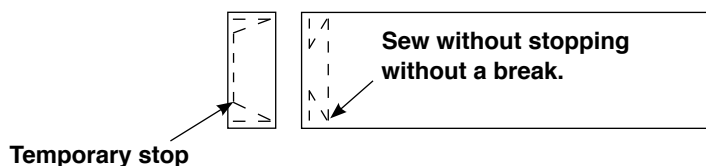


①⑧ Function of reducing speed of reverse feed stitching at the start of sewing (Function setting No.92 F-DSBT)

Function to reduce speed at the time of reverse feed stitching at the start of sewing. : Normal use depending on the pedal condition (Speed is accerlated to the highest without a break.)

This function is used when temporary stop is used properly. (Cuff and cuff attaching)

0 : Speed is not reduced.
1 : Speed is reduced.



①⑨ Retry function (Function setting No.73 F-RET)

When the retry function is used, if the sewing material is thick and not pierced with needle, this function makes the needle pierce in the material with ease.

0 : Normal
1 : Retry function is provided.

②⑩ Function to select the start-up speed of the sewing machine (Function setting No.76 F-SCS)

This function is selected in the case where the speed of the sewing machine is desired to be more at the time of start-up. (Time required to start is shortened by approximately 10%.)

0 : Normal curve
1 : More sharp curve



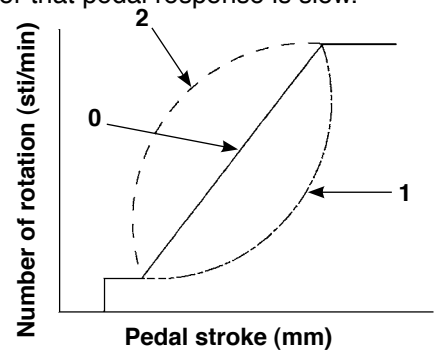
If "1" is set, motor may move irregularly. In addition, noise may occur when the sewing machine is running or noise may increase when the sewing machine is running.

②① Function of pedal curve selection (Function setting No.87 F-PCS)

This function can perform the selection of the curve of number of rotation of the sewing machine against the depressing amount of the pedal.

Change to this function when you feel that inching operation is hard or that pedal response is slow.

- 0 : Number of rotation of the sewing machine in terms of the depressing amount of the pedal increases linearly.
- 1 : Reaction to intermediate speed in terms of the depressing amount of the pedal is delayed.
- 2 : Reaction to intermediate speed in terms of the depressing amount of the pedal is advanced.



②② Function added to the needle up / down compensating switch (Function setting No.93 F-MADF)

One stitch operation can be performed only when the needle up / down compensating switch is pressed at the time of upper stop immediately after turning ON the power switch or upper stop immediately after thread trimming.

- 0 : Normal (Only needle up / down compensating stitching operation)
- 1 : One stitch compensating stitching operation (upper stop if upper stop) is performed only when aforementioned changeover is made.

②③ Setting of max. number of rotation of the sewing machine head (Function setting No.96 S-MAX)

This function can set the max. number of rotation of the sewing machine head you desire to use.

Upper limit of the set value varies in accordance with the sewing machine head to be connected.

50 to Max. [sti/min]

6-17. External interface

External interface means the section to connect the operation panel and the system which is different from the operation panel.

For the use and details of function, please ask our business office.

(1) Media slot

Media slot is installed in the face cover located on the left side of operation panel.

(2) RS-232C port

RS-232C connector is installed in the rubber cap located on the back side of operation panel.

(3) General input port (Production control switch connecting connector)

General input connector, CN105 is installed in the cord outlet cover located on the back side of operation panel.

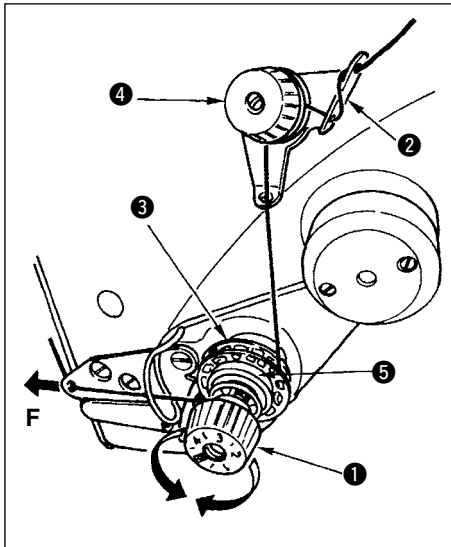
7. SEWING

7-1. Adjusting the thread tension



WARNING :

In case of thread-breakage. It may occur that the thread tangles on the thread take-up lever. In this case, remove the thread tangling around the thread take-up lever by raising the thread take-up cover. At this time, be careful not to cut your fingers with the knife.

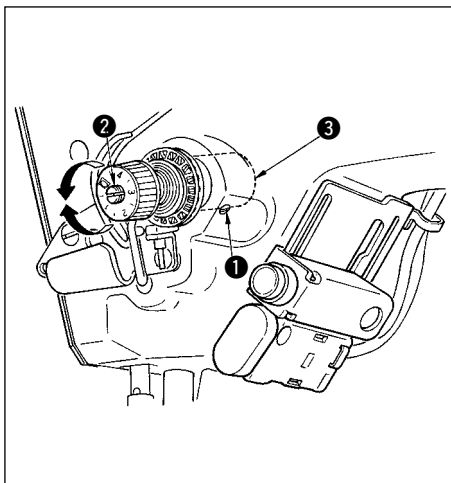


(1) Adjusting the needle thread tension

- 1) Adjust the needle thread tension using the tension nut ①.
Turning the tension nut clockwise increases the needle thread tension, or counterclockwise decreases it.



1. If the thread tension of pre-tension ② is too low, the thread may slip out of rotary disc ③. Adjust the thread tension of the pre-tension, using pre-tension adjusting nut ④ taking care of tension balance between the pre-tension and the rotary disc.
2. When setting the needle thread tension, draw the thread in the direction F to check that rotary disc ③ smoothly rotates with no slippage. When the rotary disc slips, tighten pre-tension adjusting nut ④.
3. Thread tension disc felt ⑤ is a consumable part. When rotary disc ③ slips, there is a possibility that the thread tension disc felt ⑤ has been consumed. Replace the felt with new one (Part No. : 22528509 x 4 pcs.).



(2) Adjusting the thread take-up spring

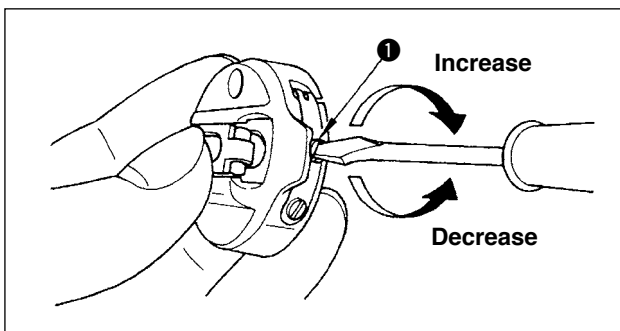
- 1) To change the tension of the thread take-up spring, firmly tighten the screw ① which fastens the tension post socket to the machine arm and insert the blade of a screwdriver into the slot in the tension post ② to adjust the tension of the thread take-up spring.

Turn it clockwise to increase.

Turn it counterclockwise to decrease.

- 2) To change the amount of thread taken by the thread take-up spring, loosen the clamping screw ① of the tension post socket and turn the tension post socket ③.

Adjustable range of the amount of thread taken by the thread take-up spring : 6 to 10 mm



(3) Adjusting the bobbin thread tension

- 1) The tension of the bobbin thread is adjusted by turning the tension adjusting screw ①.

Turn it clockwise to increase.

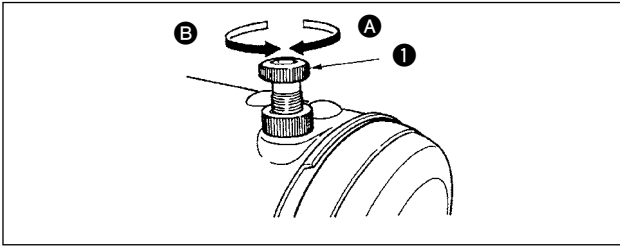
Turn it counterclockwise to decrease.

7-2. Adjusting the pressure of the presser foot



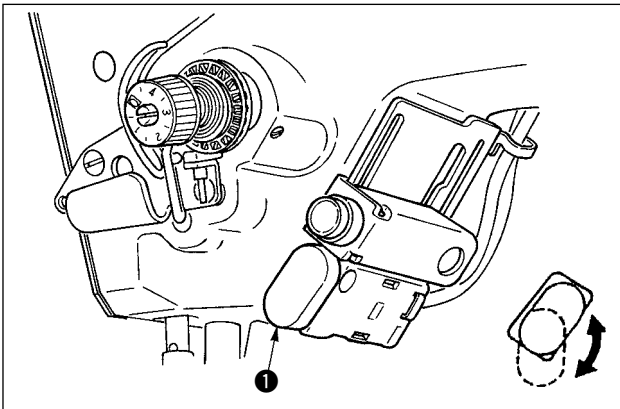
WARNING :

To protect against possible personal injury due to abrupt start of the machine, be sure to start the following work after turning the power off and ascertaining that the motor is at rest.



- 1) Turn the presser spring regulator ① clockwise **A** to increase the pressure given by the presser foot.
- 2) Turn the presser spring regulator counterclockwise **B** to decrease it.

7-3. One-touch type reverse feed stitching mechanism



(1) How to use the reverse feed switch lever

- 1) Press reverse feed switch ①, and the sewing machine will immediately run in the reverse direction to perform the reverse feed stitching.
- 2) Reverse stitching is performed as long as you keep the lever held pressed down.
- 3) Release the switch lever, and the machine will immediately run in the normal direction.
- 4) Reverse feed switch ① can be used in two positions by turning it.



For the types other than WB, CB and OB, touch-back kit (separately sold, Part No. 40010795) is necessary.

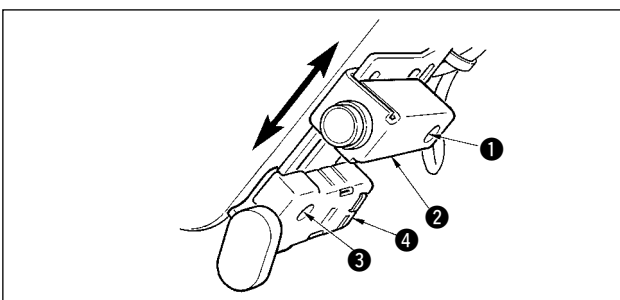
(2) Height of the switch



WARNING :

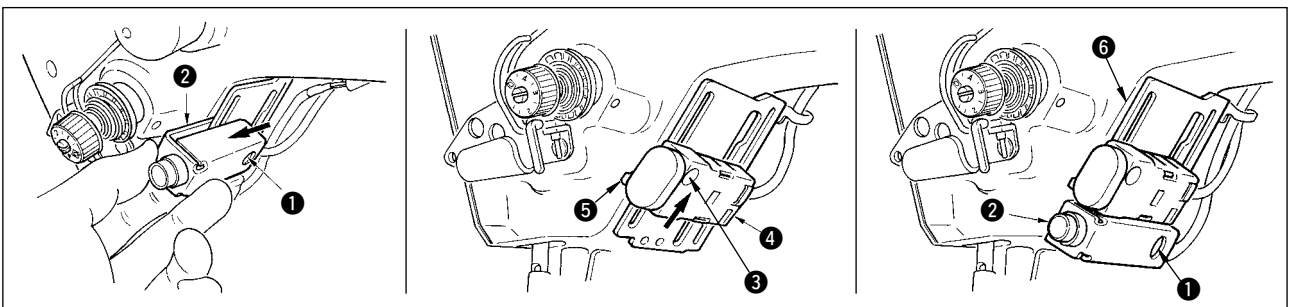
To protect against possible personal injury due to abrupt start of the machine, be sure to start the following work after turning the power off and ascertaining that the motor is at rest.

A. In case of the machine with the auxiliary thread take-up lever



- 1) Loosen setscrew ① and adjust up or down mirror switch ②.
- 2) Loosen setscrew ③ and move up or down reverse feed switch ④ to adjust the height.

* The position of reverse feed switch ④ and mirror switch ② can be reversed.

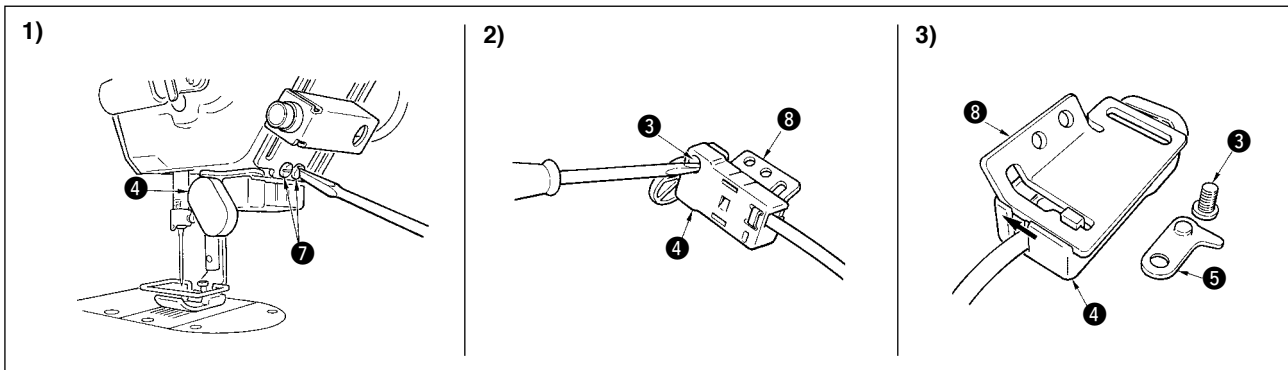


- 3) Loosen setscrew ① and remove mirror SW ②.
- 4) Slightly loosen setscrew ③, move upward reverse feed switch ④ and guide ⑤, and fix the switch with guide ⑤ and setscrew ③.

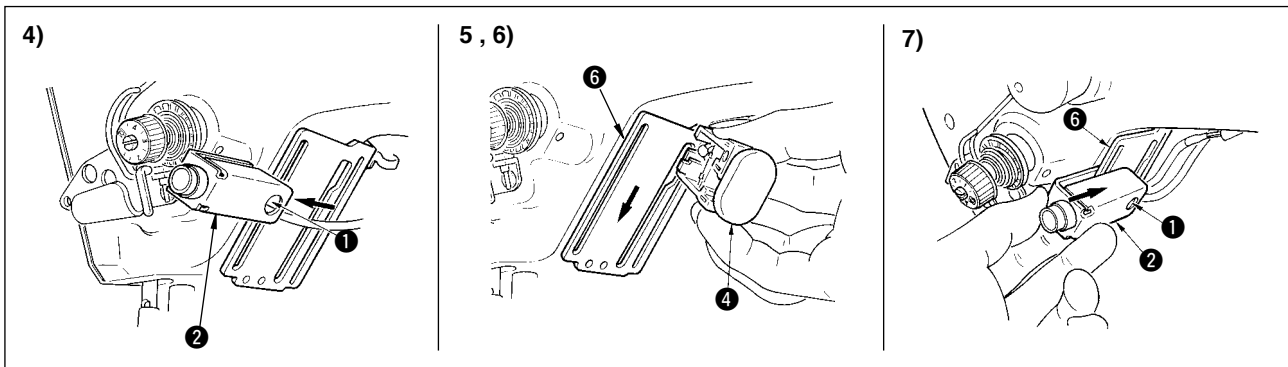
- 5) Put mirror SW ② in installing base ⑥ and fix it with setscrew ①.
 (Put mirror SW ② in installing base ⑥ so that the installing base ⑥ is inserted in the mirror SW ②.)
 (Note) Freely adjust the height of the respective switches.

B. In case of the machine with the auxiliary thread take-up lever

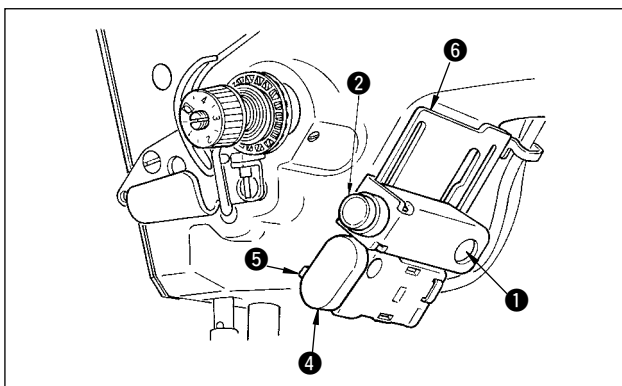
When reverse feed switch ④ is low according to the process, adjust the height.



- 1) Loosen two setscrews ⑦ and remove reverse feed switch ④.
- 2) Loosen setscrew ③ and remove reverse feed switch ④ from installing base ⑧.
- 3) Slide reverse feed switch ④ from installing base ⑧ to remove it.
 (Move the click of the reverse feed switch from the groove of the installing base. Guide ⑤ is used when installing the switch.)

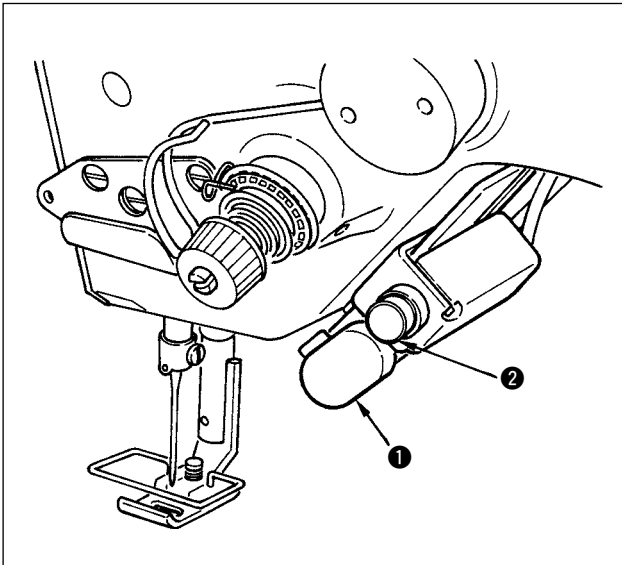


- 4) Loosen setscrew ① to remove mirror SW ②.
- 5) Put the click of reverse feed switch ④ in the groove of installing base ⑥.
- 6) Fix reverse feed switch ④ with guide ⑤ and setscrew ③.
- 7) Put mirror SW ② in installing base ⑥ and fix it with setscrew ①.
 (Put mirror SW ② in installing base ⑥ so that the installing base ⑥ is inserted in the mirror SW ②.)



- * The position of reverse feed switch ④ and mirror switch ② can be reversed.
 When changing the position of the switch in case of “A. In case of the machine with the auxiliary thread take-up lever”, refer to the items 3) through 5).
 (Note) Freely adjust the height of the respective switches.

7-4. Hand switch



- 1) Reverse feed switch ①
Press reverse feed switch ① and reverse feed is performed.
When it is released, normal feed is performed.
* Reverse feed switch is not installed on the types other than WB, CB, and 0B types.
(Touch-back device (separately sold), Part No. 40010795 is necessary.)
- 2) Mirror inversion switch ②
When scallop, custom pattern or continuous stitching is selected, the switch becomes a mirror inversion switch.

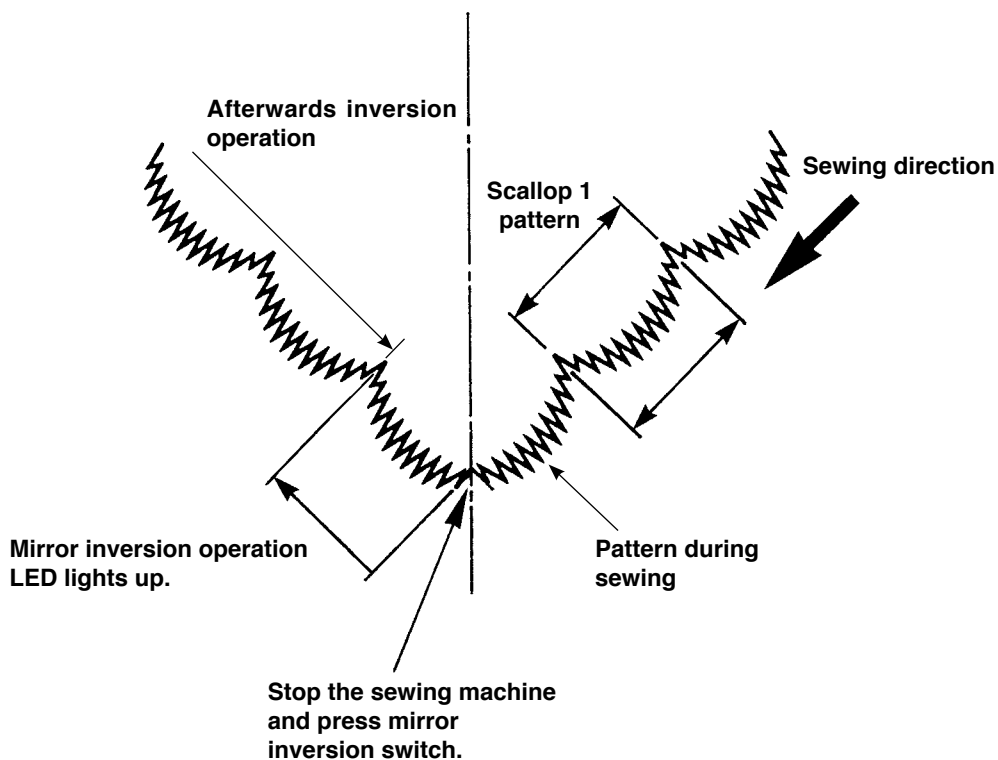
Mirror inversion means the function that the reverse pattern sewing is performed after pressing the mirror inversion switch during temporary stop of sewing.

(For the details, refer to the mirror function setting, p.69. ④)

For the adjustment of the height, see p.93.

■ Sewing procedure (Scallop)

- 1) Stop the sewing machine at the position you desire to perform mirror inversion during sewing.
- 2) Press the mirror inversion switch ②. When the mirror inversion switch is received, LED lights up. (The switch can receive only when the sewing machine stops and dose not receive when the sewing machine is running.)
- 3) Perform mirror inversion sewing with the sewing machine.
- 4) Perform thread trimming or press again the mirror inversion switch to complete the inversion sewing.



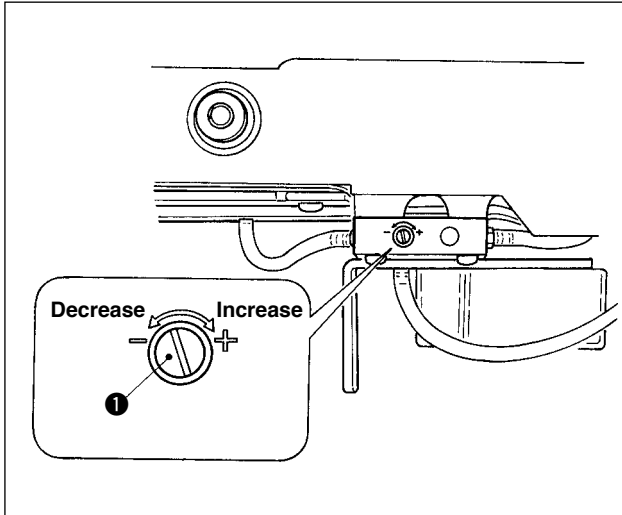
8. STANDARD ADJUSTMENT

8-1. Adjusting the amount of oil in the hook (LZ-2290A-SS · A-SU (-7))



WARNING :

Turn OFF the power before starting the work so as to prevent accidents caused by abrupt start of the sewing machine.



Adjustment of the amount of oil in the hook is performed with oil amount adjustment screw ①.

(1) Adjustment procedure

Tighten (turn clockwise) oil amount adjustment screw ① to increase the amount of oil in the hook, or loosen (turn counterclockwise) to decrease it.

1. When adjusting the amount of oil in the hook, perform the adjustment in a way of reducing the oil amount after somewhat increasing it.
2. The amount of oil in the hook has been adjusted at the max. number of revolution at the time of delivery. When you always use the sewing machine at low speed, there is a possibility that trouble occurs due to the lack of amount of oil in the hook. When the sewing machine is used always at low speed, perform the adjustment of the amount of oil in the hook.
3. There is a possibility of causing oil leakage from the hook shaft section since oil does not return to the oil tank when oil amount adjustment screw ① is used in fully-tightened state. Do not use the screw in fully-tightened state. In addition, when the amount of oil in the hook is not obtained unless oil amount adjustment screw ① is near in fully-tightened state, it is considered that hook shaft oil wick (JUKI Part No. 11015906) is clogged or the like. Replace the hook shaft oil wick. For the replacing procedure, refer to (10) Replacing the hook shaft oil wick of 9. MAINTENANCE.



8-2. Adjusting the amount of lubricating to face plate section (LZ-2290A-SS·A-SU(-7))

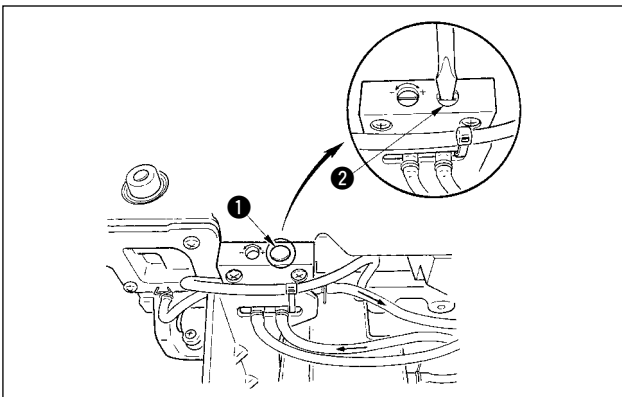


WARNING :

Turn OFF the power before starting the work so as to prevent accidents caused by abrupt start of the sewing machine.

It is not necessary to adjust the amount of lubricating to face plate section since it has been factory-adjusted at the time of delivery. (Oil amount adjustment screw ② in the face plate section lubricating tank is hidden with stop plug ① since it is not necessary to be adjusted.)

When the adjustment is performed by mistake (mistaken as the adjustment of oil amount in the hook), re-adjust as shown below.



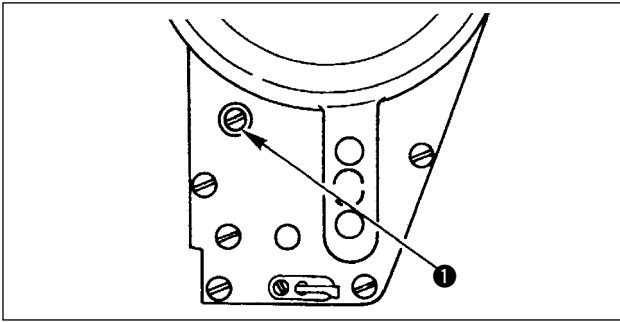
- 1) Remove stop plug ①, and when lightly tightening the adjustment screw ②, return the screw by approximately 0.6 turn from the stop position.



Lightly tighten the screw ②. Be careful that it is not excessively tightened.

- 2) In case of the normal state, the flow of oil can be confirmed (direction of the arrow in the illustration). In case the flow is stopped, be sure to adjust. (Worn-out of the mechanism of face plate section will be caused.)

8-3. Adjusting the height of the presser bar



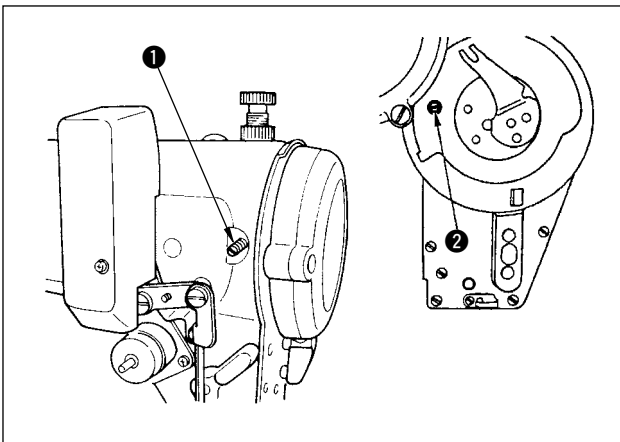
- 1) To change the height of the presser bar or the inclination of the presser foot, loosen the presser bar connection screw ❶ and perform the adjustment properly.
- 2) After the adjustment, securely tighten the screw.

8-4. Adjusting the micro-lifting mechanism of the presser foot



WARNING :

To protect against possible personal injury due to abrupt start of the machine, be sure to start the following work after turning the power off and ascertaining that the motor is at rest.



Some type of material needs to be sewn with the presser foot slightly lifted. In this case, perform this adjustment following the procedure described below.

- 1) Loosen the setscrew ❶ in the presser foot micro-lifter.
- 2) Turn the presser foot micro-lifting screw ❷ clockwise through the hole in the face plate until the presser foot is raised as desired. Then, tighten the screw ❶ .



If you do not use the micro-lifting mechanism of the presser foot, fully return the presser foot micro-lifting screw ❷ to its home position.

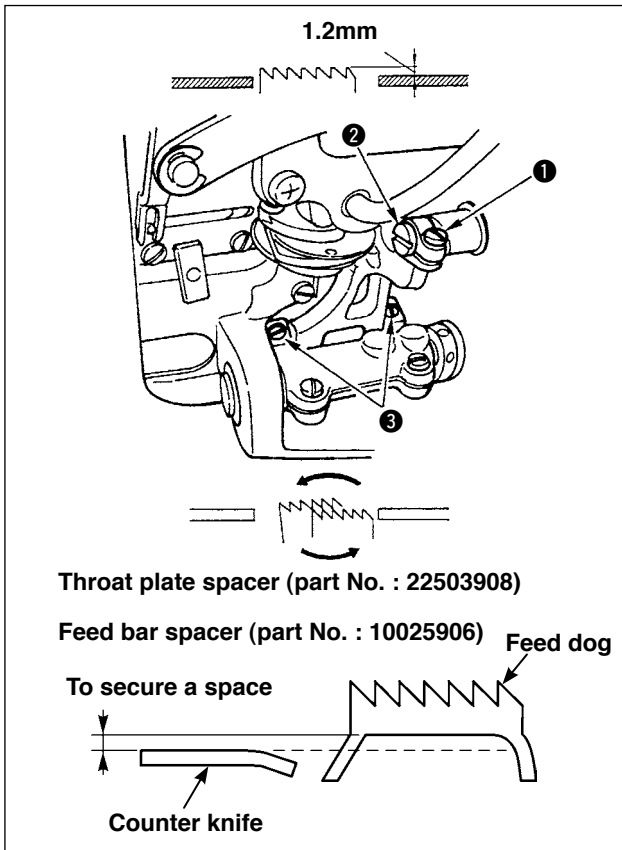
The standard of lifting amount of the presser foot is as thick as a sheet of paper.

8-5. Height and inclination of the feed dog



WARNING :

To protect against possible personal injury due to abrupt start of the machine, be sure to start the following work after turning the power off and ascertaining that the motor is at rest.



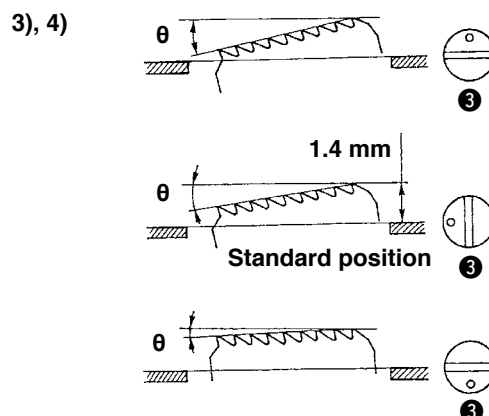
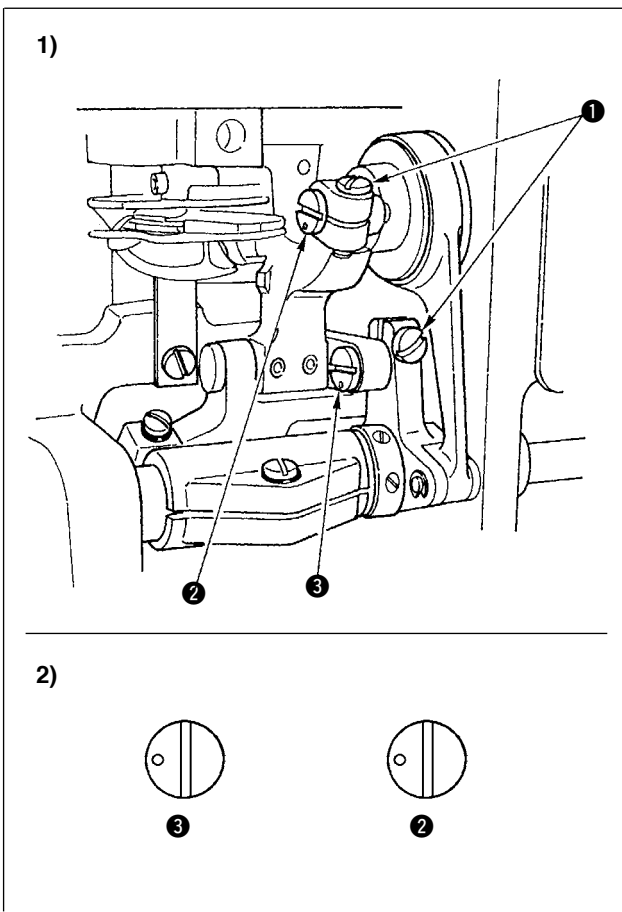
(1) LZ-2290A*S

- 1) To adjust the height of the feed dog, loosen the screw ① and turn the feed driving link pin ② using a screwdriver.
- 2) The standard height of the feed dog is 1.2 mm.
- 3) To adjust the inclination of the feed dog, loosen the two screws ③ and turn the eccentric shaft inserting a screwdriver through the adjustment hole in the machine bed.
- 4) For the machine with a thread trimmer, there can be no space between the counter knife and the underside of the feed dog when adjusting the feed mechanism (change in height and timing) or using a commercially-available feed dog. In this case, place a feed bar spacer (part No. : 10025906) under the feed mechanism and a throat plate spacer (part No. : 22503908) under the throat plate so as to secure a space between the counter knife and the underside of the feed dog.

The standard inclination of the feed dog is obtained by adjusting the feed dog so that it becomes horizontal when it rises above the top surface of the throat plate.

(2) LZ2290A*U

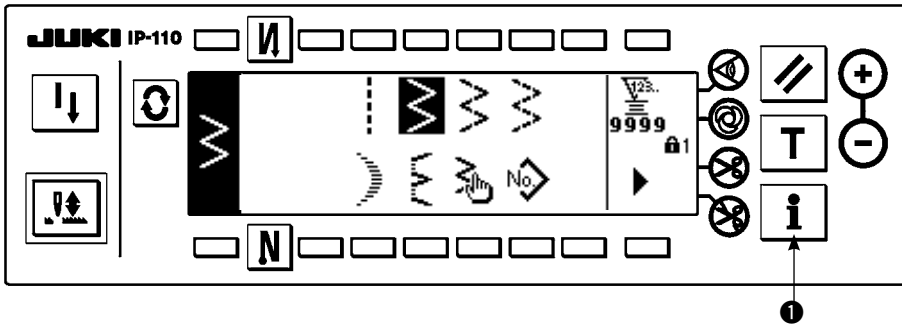
- 1) To adjust the height and inclination of the feed dog, loosen the screws ① and turn the feed driving link pins ② and ③ using a screwdriver as shown in the figure.
- 2) The standard inclination of the feed dog is obtained by adjusting so that the engraved dot of feed driving link pin ② faces at 9 o'clock and the engraved dot of feed driving link pin ③ faces at 9 o'clock.
- 3) The standard height of the feed dog is 1.4 mm.
- 4) Mainly adjust feed driving link pin ③ to adjust the uneven material feeding. The uneven material feeding can be corrected by adjusting the inclining angle θ of the feed dog.
- 5) A spacer is inserted between the throat plate and the feed dog of the sewing machine with thread trimmer only.



8-6. Hook adjusting mode

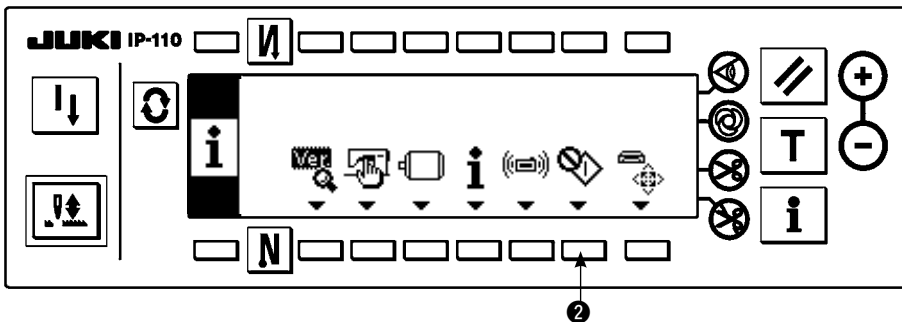


When the hook adjusting mode is set, it is possible to adjust the hook by turning the handwheel.



- 1) Turn ON the power. When the needle bar is not in the UP position, turn the handwheel to bring the needle bar to its UP position.
- 2) Press switch ① for approximately three seconds to display the information screen.

■ Information screen

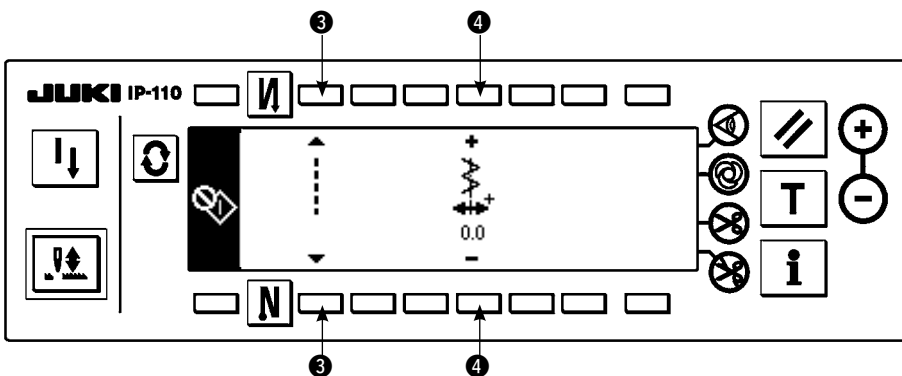


- 3) Press ② to enter the hook adjusting mode.
- 4) Zigzag patterns of straight stitch and 2-step zigzag stitch can be selected in the hook adjusting mode.

Straight stitch

- ③ : Changeover of straight stitch and 2-step zigzag stitch can be performed.
- ④ : Position of stitch base line is set with “+” and “-”.

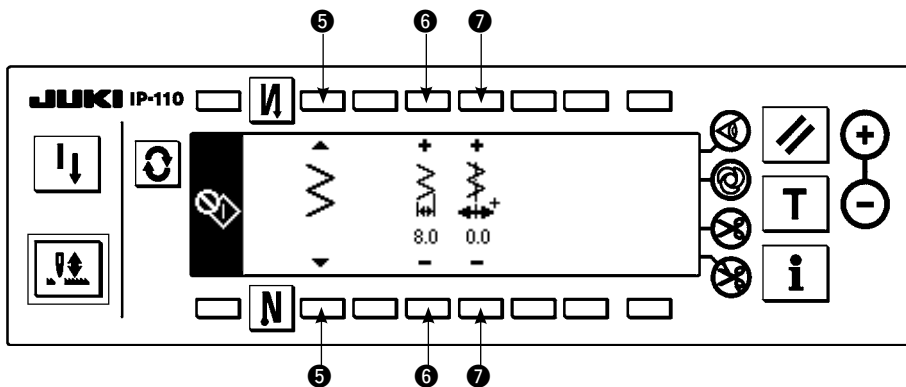
■ Hook adjusting mode setting screen < Straight stitch >



2-step zigzag stitch

- ⑤ : Changeover of straight stitch and 2-step zigzag stitch can be performed.
- ⑥ : Zigzag width is set with “+” and “-”. (Initial value is set to 8 mm.)
- ⑦ : Position of stitch base line is set with “+” and “-”.

■ Hook adjusting mode setting screen < 2-step zigzag stitch >



5) Turn ON/OFF the power to return from the hook adjusting mode to the normal sewing mode.

- * Sewing machine does not work even when the front part of the pedal is depressed during the hook adjusting mode.
- * Needle throwing works by turning the handwheel by hand.
- * Needle bar moves when the set value is changed at needle UP position.



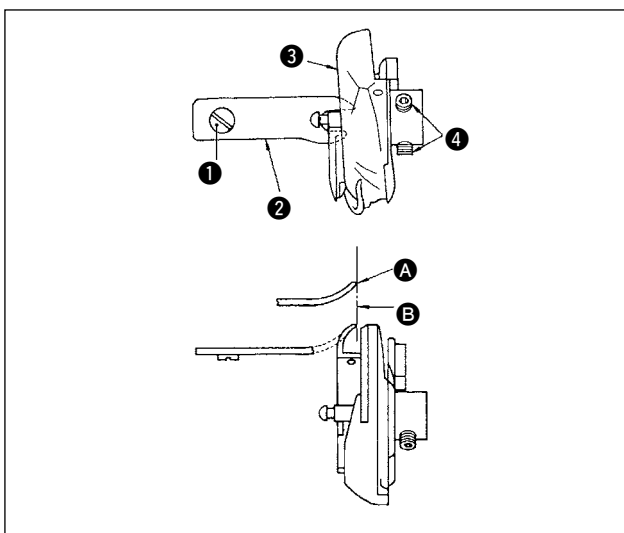
It is possible for zigzag width and position of the stitch base line to set up to the width of 10 mm regardless of the max. zigzag width limitation at the time of the hook adjusting mode. When using the hook adjusting mode for the machine to which presser foot, gauge, etc. are attached, be very careful in performing the adjustment.

8-7. Attaching / removing the hook



WARNING :

To protect against possible personal injury due to abrupt start of the machine, be sure to start the following work after turning the power off and ascertaining that the motor is at rest.



When you replace the sewing hook, remove it in the following procedures ;

- 1) Turn the handwheel until the needle reaches to its highest position.
- 2) Remove the needle, presser foot, throat plate, feed dog and bobbin case from the machine.
- 3) Remove the setscrew ① and take out the bobbin case positioning finger ②.
- 4) Loosen the two screws ④ and remove the sewing hook ③.

Reverse the above procedures when inserting the sewing hook. At this time, make sure that top end **A** of the bobbin case positioning finger is aligned with line **B**. as shown in the figure on the left. Never let **A** protrude from line **B**.



Part No. of hook ③ is 22525877.

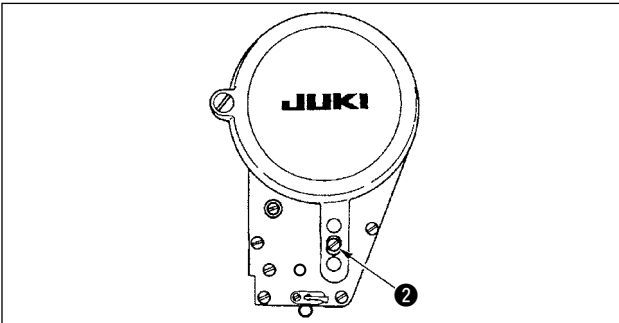
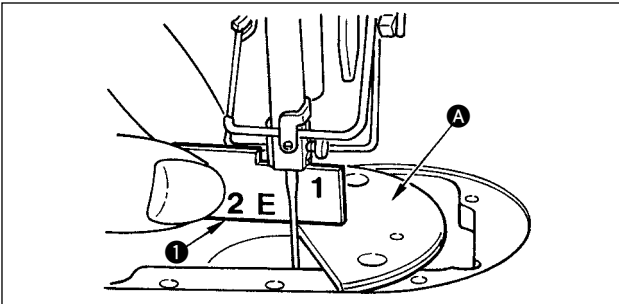
Do not use the hook other than that designated by JUKI.

8-8. Adjusting height of the needle bar



WARNING :

To protect against possible personal injury due to abrupt start of the machine, be sure to start the following work after turning the power off and ascertaining that the motor is at rest.



- 1) Set the zigzag width to "0". Bring the needle to the center of the zigzag stroke.
- 2) Remove the presser foot, throat plate, semicircle plate and feed dog.
- 3) Place a semicircle plate on the plane, to which the throat plate is to be attached, of the bed. Loosen setscrew ②, and adjust so that from the top surface of semicircle plate ① to the bottom end of the needle bar is as high as "1" of timing gauge ①.

1. Thickness of the semicircle plate is different from that of the throat plate. Be sure to use the semicircle plate when adjusting the height of the needle bar. Be sure to perform the adjustment with zigzag width set to zero and with the needle positioned at the center of the zigzag stroke.



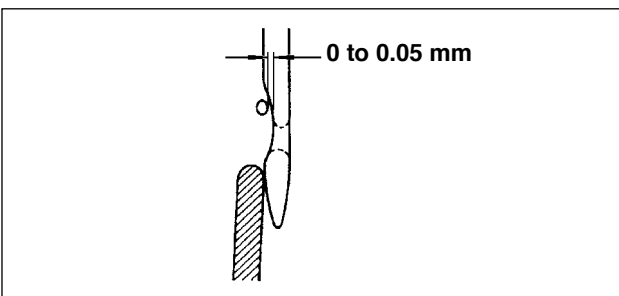
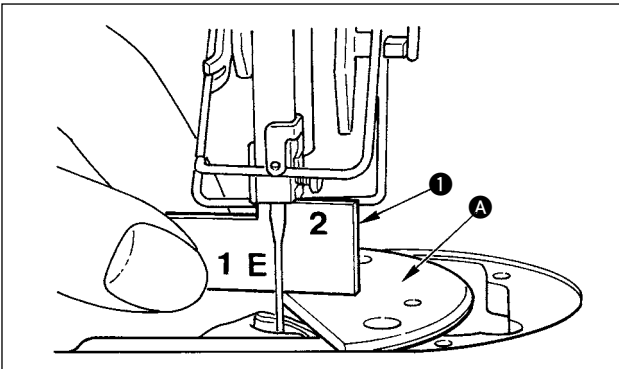
2. Use the timing gauge on which the indication "E" is engraved which has been supplied as accessories. (Part No. 22536502)

8-9. Adjusting the needle-to-hook timing and the needle guard



WARNING :

To protect against possible personal injury due to abrupt start of the machine, be sure to start the following work after turning the power off and ascertaining that the motor is at rest.



(1) Positioning the hook

- 1) After the completion of the adjustment of the needle bar height, adjust so that the blade point of the hook comes to the center of the needle at the height of the "2" of timing gauge ① which has been supplied as accessories.
- 2) At this time, the blade point of the hook should slightly come in contact with the needle when the needle guard does not touch the needle.

(2) Confirmation

Bring the needle to the leftmost position of the zigzag stroke at the time of the standard zigzag width of 8 mm, and confirm that the top end of the needle eyelet is spaced 0.2 to 0.5 mm away from the blade point of the hook. If the zigzag width of 10 mm is used or the shape of indented part of the needle is different from that of indented part of the needle at the time of delivery, re-adjust the height of the needle bar.

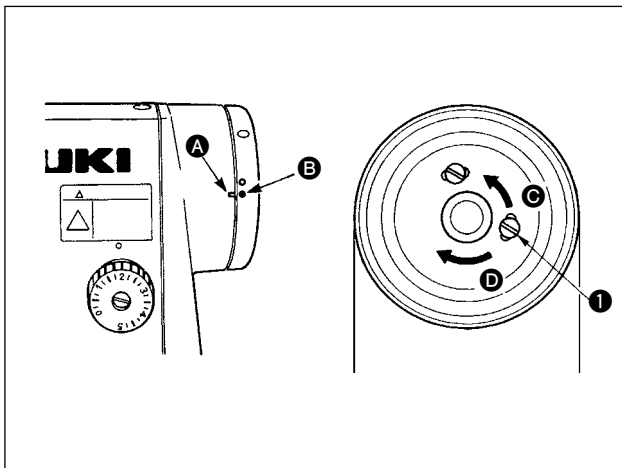
(3) Adjusting the needle guard

- 1) Maximize the zigzag width. Bend the needle guard to adjust so that the needle does not come in contact with the blade point of the both at the leftmost and rightmost positions of the zigzag stroke. At this time, adjust the clearance provided between the needle and the blade point of the hook to 0 to 0.05 mm.
- 2) The needle guard functions to keep the needle away from the blade point of the hook, thereby preventing damage to the blade point of the hook. Whenever you have replaced the hook with a new one, be sure to adjust the position of the needle guard.



When thread breakage has occurred, there is a case where thread is caught in the hook. Be sure to perform sewing after removing the thread caught in the hook.

8-10. Adjusting the stop position of the needle

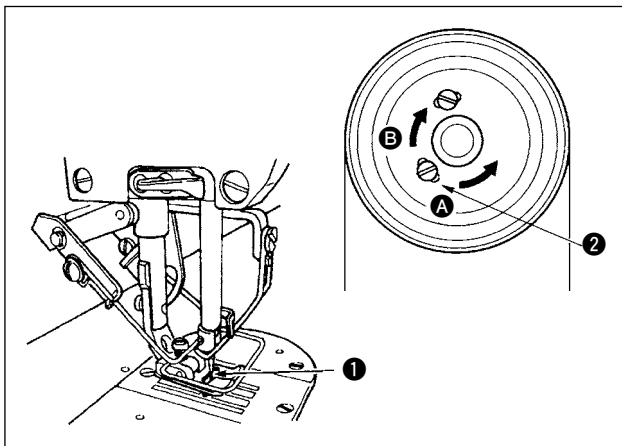


(1) Stop position of the needle after thread trimming

- 1) The needle stops at the standard stop position when marker dot **A** engraved on the handwheel cover is aligned with white marker dot **B** engraved on the handwheel.
- 2) Stop the needle at the highest position of its stroke, loosen screw **1**, and adjust the stop position of the needle by moving screw **1** within the slot.
 - ① Move the screw in the direction **C** to advance the timing to make the needle stop.
 - ② Move the screw in the direction **D** to retard the timing to make the needle stop.



Do not operate the sewing machine with screw **1 loosened. Loosen the screw only, and do not removed it.**



(2) The lowest stop position of the needle

When you return the pedal to its neutral position after having depressed the front part of it, the needle stops at the lowest stop position. As in the case of the adjustment of the highest stop position of the needle, stop the needle **1** in the lowest position of its stroke, loosen the screw **2**, and adjust the lowest stop position of the needle by moving the screw **2** within the slot. Move the screw in the direction **A** to advance the timing to make the needle stop or in the direction **B** to retard it.



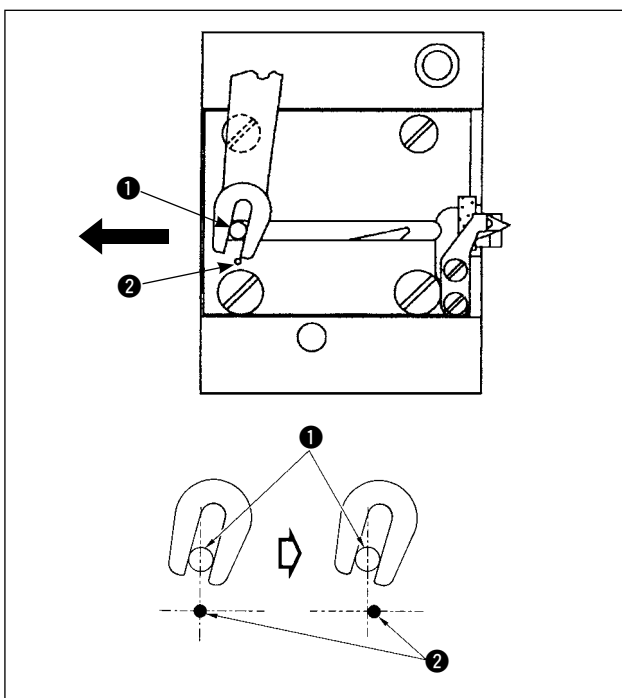
Do not adjust screw **2. It has been factory-adjusted at the time of delivery and needle sway will be caused if it is adjusted.**

8-11. Adjusting the thread trimmer



WARNING :

To protect against possible personal injury due to abrupt start of the machine, be sure to start the following work after turning the power off and ascertaining that the motor is at rest.

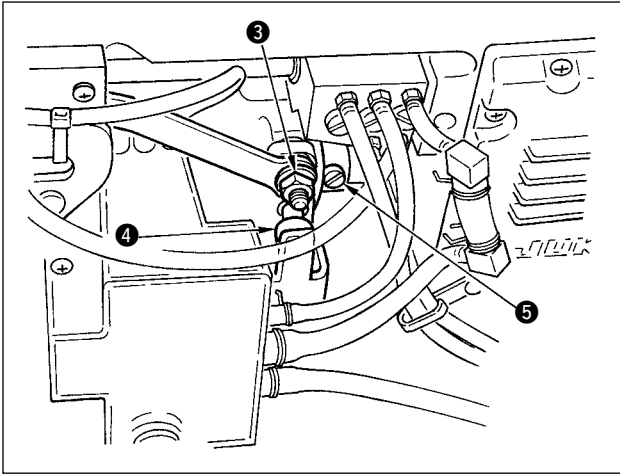


(1) Initial position of the moving knife

When the moving knife is in its initial position, the moving knife pin **1** should be aligned with the engraved marker dot **2** as shown in the figure on the left.

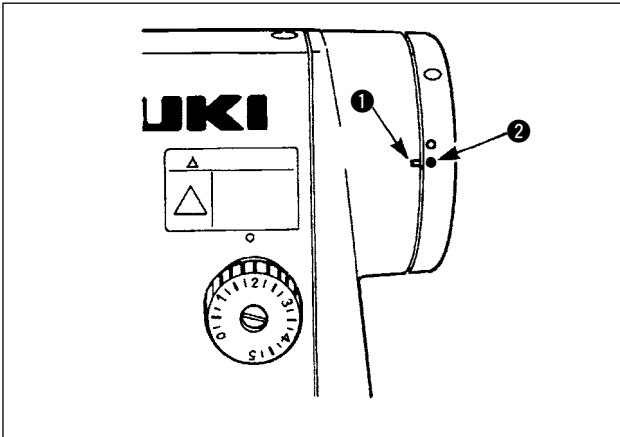


When the gauge size which is more than that delivered as standard or the gauge size of other manufactures is used, and the counter knife interferes with the feed dog, loosen nut **3, move the initial position of moving knife pin **1** to the left from engraved maker dot **2** by approximately one half of engraved marker dot **2** and fix the pin.**



If the initial position of the moving knife is not correct

Loosen the nut ③, and move the moving knife to the right or left until the pin ① meets the marker dot ②. Then, tighten the nut ③.



(2) Adjusting the thread trimming timing

Put roller ④ in the cam groove. Now, gradually turn the handwheel in the reverse direction. The handwheel will go no further when marker dot ① engraved on the handwheel cover is aligned with red marker dot ② engraved on the handwheel.

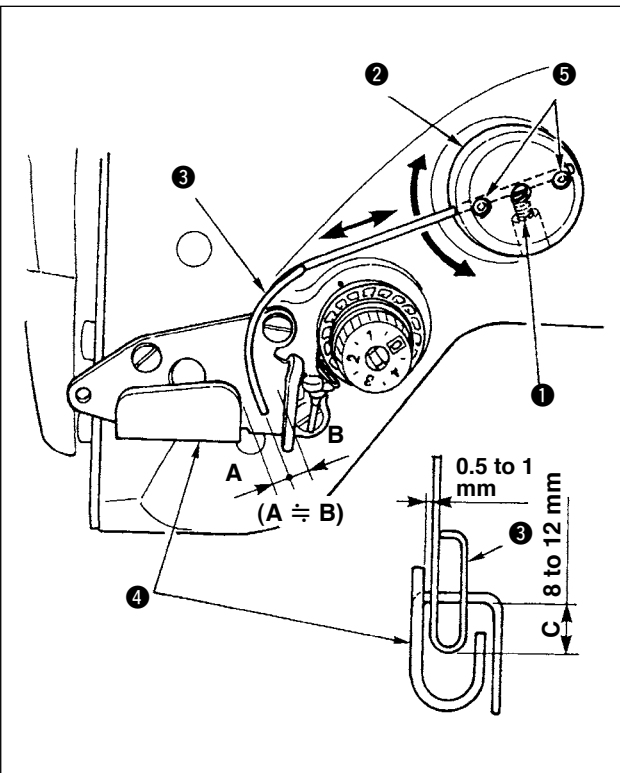
To adjust the thread trimmer cam, align the red marker dot on the handwheel cover with the red marker dot on the handwheel, put the roller in the groove of the thread trimming cam, and gradually turn the handwheel in the direction opposite to the direction of rotation of the hook driving shaft until it will go no further. Now, tighten two screws ⑤.

8-12. Adjusting the needle thread feeding device (Thread trimmer type only)



WARNING :

To protect against possible personal injury due to abrupt start of the machine, be sure to start the following work after turning the power off and ascertaining that the motor is at rest.



Standard position of the feeding wire

- 1) Loosen screw ①.
- 2) Turn the feeding wire together with feeding wire installing base ②, adjust the installing position of the feeding wire so that a distance of C (8 to 12 mm) is provided between the top end of feeding wire ③ and the guide portion of thread take-up thread guide A ④, and tighten screw ①.



At this time, leave a space of 0.5 to 1 mm between the feeding wire and the top surface of the thread take-up thread guide A.

- 3) Finely adjust with setscrews ⑤ so that the top end of the feeding wire is placed approximately in the center ($A \doteq B$) of the thread take-up thread guide A.

When turning OFF the feeding device :

It is possible to turn OFF with the function setting No. 89 described in the function setting list.

When needle thread feeding amount is desired to be increased :

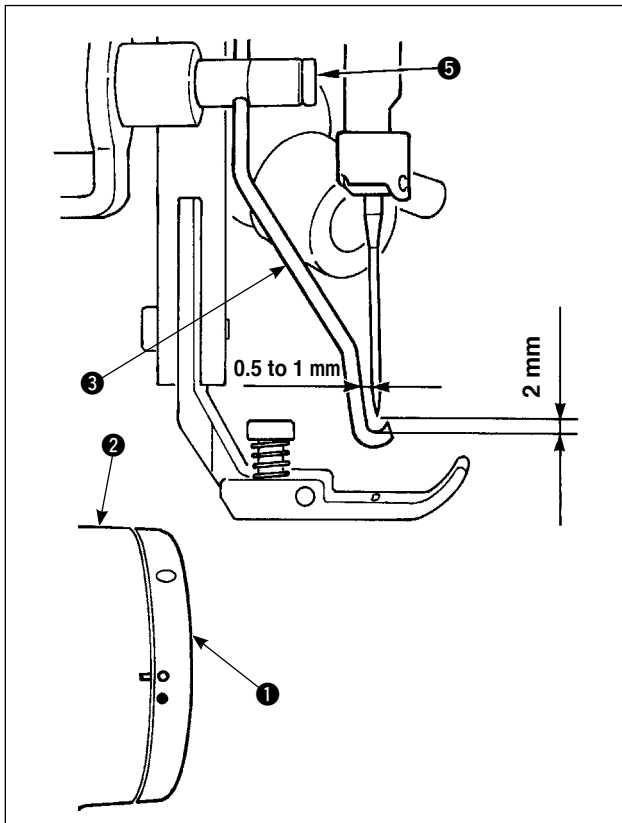
- Loosen setscrew ① and adjust the relation between A and B to $A > B$.
- Loosen setscrew ① and when the whole feeding wire installing base ② is adjusted to the upward direction (decrease the value, C), the feeding amount can be increased.

8-13. Adjusting the bird's nest prevention (CB) type wiper



WARNING :

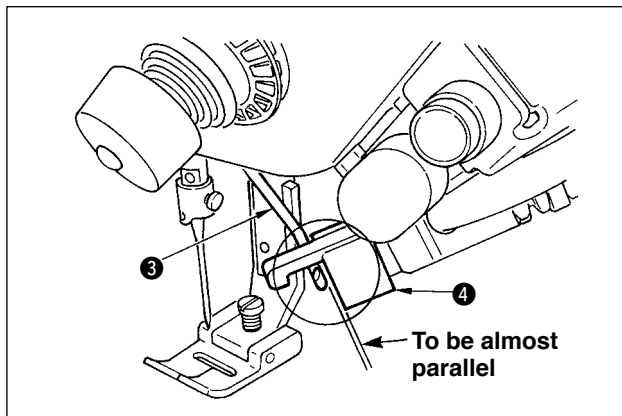
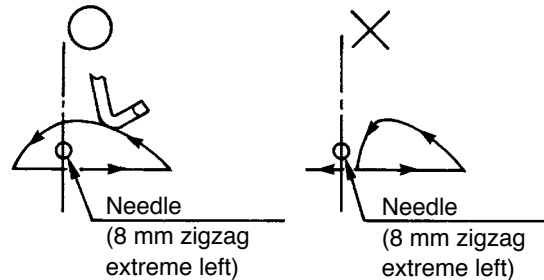
To protect against possible personal injury due to abrupt start of the machine, be sure to start the following work after turning the power off and ascertaining that the motor is at rest.



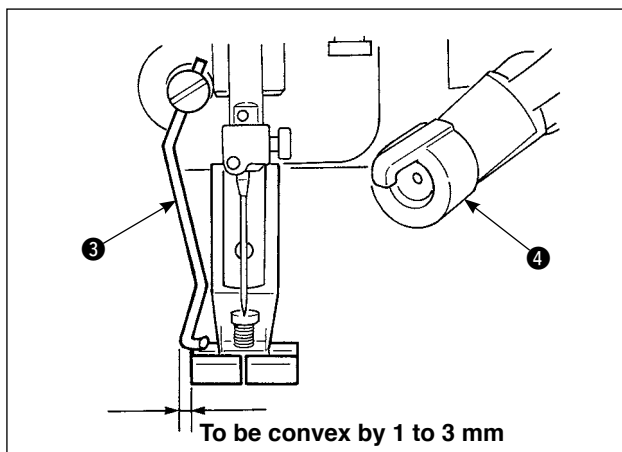
■ Position of the wiper

1) Adjust the white marker dot on the handwheel **1** to the position where it is aligned with the marker dot on the pulley cover **2**, quietly press wiper link A to move wiper **3**. The wiper recedes by the ratchet when going and the position where the wiper returns to its home position is in the center of needle or the position exceeding the center of needle.

Besides, adjust with wiper setscrew **5** so that when wiper **3** comes to the position of the center of needle when returning, the clearance between the wiper and the needle tip should be approximately 2 mm and that between the wiper and the side of needle should be approximately 1 mm.



2) The top end plane of wiper **3** should be positioned to be almost parallel to the end plane of clamp head **4**. Besides, set the clamp head so that the upper side is the protruding section.



3) Adjust the maximum stroke of the wiper to the position of 1 to 3 mm from the left end plane of the presser of standard delivery.

- Presser (asm.) of standard delivery (Part No. 40003542)
- Optional Presser (asm.) for narrow width (Part No. 40003549)

8-14. Replacing procedure of the bird's nest prevention (CB) type presser knife



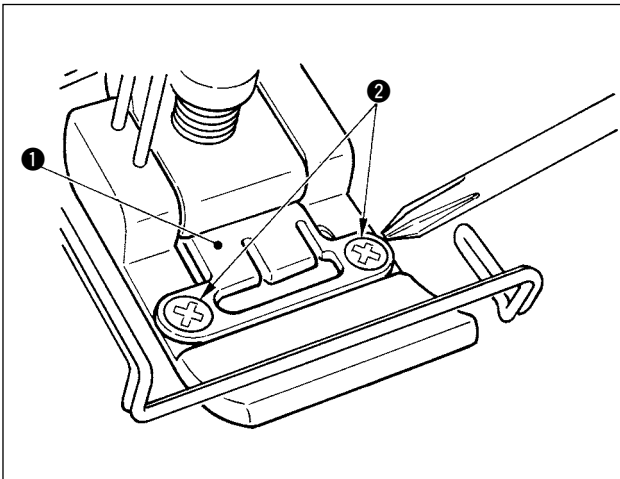
WARNING :

To protect against possible personal injury due to abrupt start of the machine, be sure to start the following work after turning the power off and ascertaining that the motor is at rest.

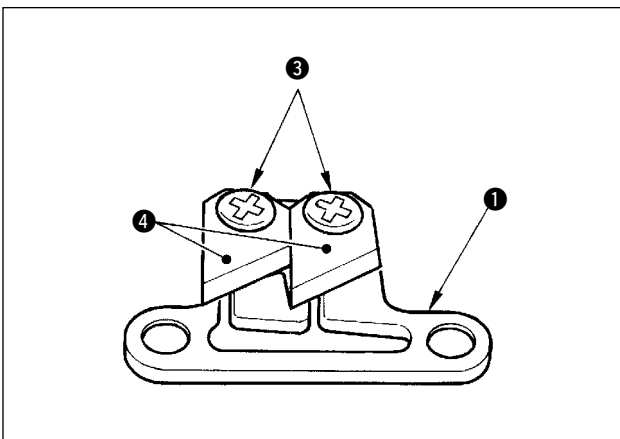
The needle thread cutting knife is mounted on the presser delivered as standard for the bird's nest prevention (CB) type.

The needle thread cutting knife is an article of consumption. When the knife becomes dull, replace it with a new one.

Name of part : Knife (ceramic) Part No. : 11434206



- 1) Remove two setscrews ② in the knife fixing plate using a precision screwdriver and remove knife fixing plate ①.



- 2) Remove two setscrews ③ in the knife using a precision screwdriver and remove knife (ceramic) ④ from fixing plate ①. Then replace the knife.



- When replacing knife ④ (ceramic), be careful of the injury to the fingers.
- When replacing knife ④ (ceramic), be careful of its direction and position. (It should be almost parallel to knife fixing plate ①.)

■ When using the bird's nest prevention type as the needle thread clamp type

When using as the needle thread clamp type, perform the setting below.

[Example of use] · When using as the interlacing failure prevention at the time of sewing from the cloth end.
· When using the normal presser. (presser without knife)

1. Set the value of function setting No.19 to 1. (Standard "0")
2. Input the setting of number of stitches of releasing needle thread with function setting No. 28. ("0" to 30 stitches)



**Needle thread clamp ratio when needle does not enter the cloth excessively drops in comparison with that when needle enters the cloth.
Be sure to operate the wiper on the cloth.**

■ When using the bird's nest prevention type as the wiper type

1. Set the value of function setting No. 18 to "0". (Standard 1)

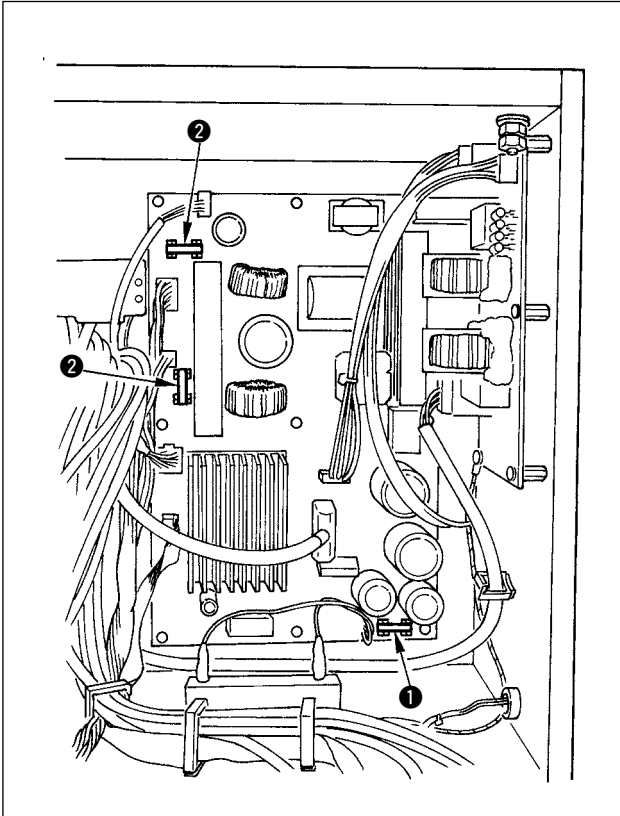
9. MAINTENANCE



WARNING :

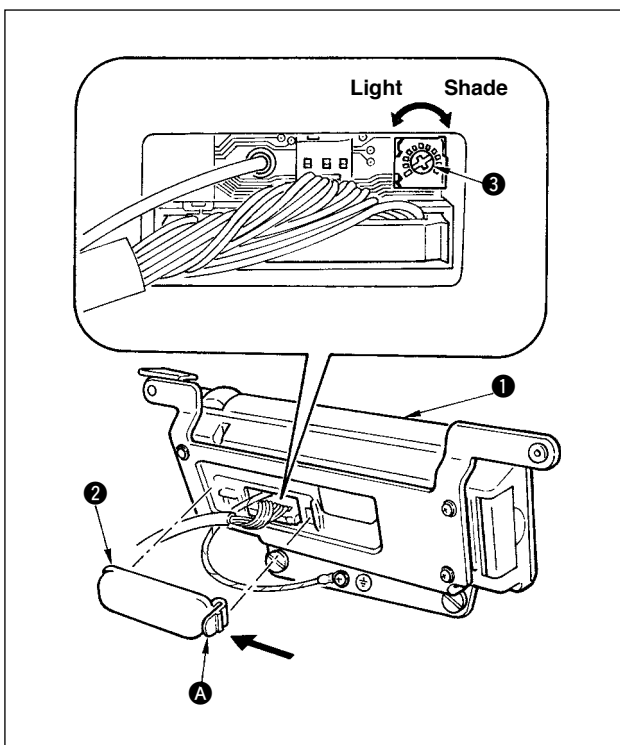
To prevent personal injuries caused by electric shock hazards or abrupt start of the sewing machine, carry out the work after turning OFF the power switch and ascertaining that the motor has completely stopped. To prevent personal injuries, when a fuse has blown out, be sure to replace it with a new one with the same capacity after turning OFF the power switch and removing the cause of the blown-out of the fuse.

(1) Replacing the power fuse



- 1) Confirm that the sewing machine has stopped, and turn OFF the power with the power switch.
- 2) Confirm that the power switch has been turned OFF, and draw out the power cord from the power receptacle. Then, wait for five minutes or more.
- 3) Remove four screws tightening the rear cover of the electrical box and slowly remove the rear cover.
- 4) Hold the glass portion of the fuse to be replaced and remove the fuse.
- 5) Use the fuse with the specified capacity.
 - ① 2A / 250V Time-lag type (HF0078020P0)
 - ② 10A / 250V Time-lag type (HF001301000)

(2) Adjusting the contrast of the operation panel display

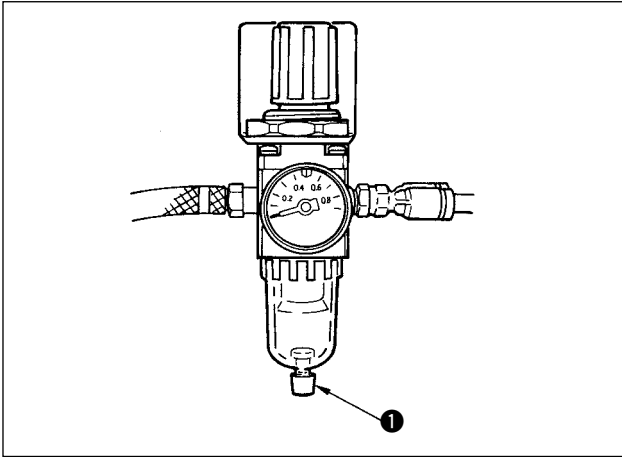


- 1) Press in the direction of arrow mark the click of section **A** of cord outlet cover **2** assembled in the rear of operation panel **1** and remove the cover.
- 2) Turn LCD screen display brightness adjustment variable resistor **3** to adjust the brightness (contrast) of LCD screen.



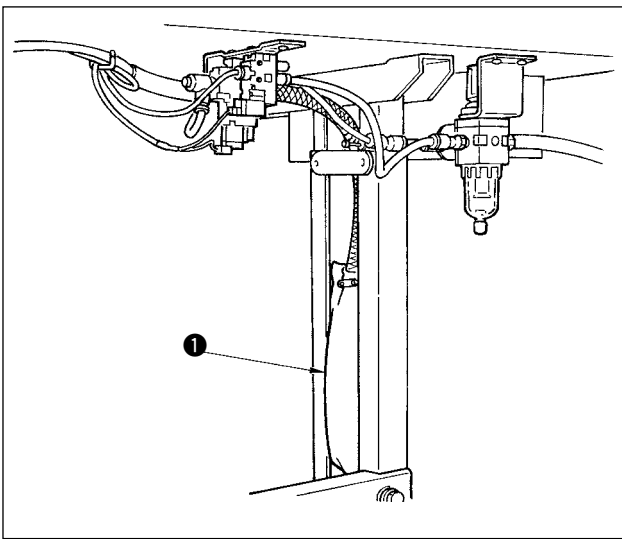
To prevent the operation panel from breakage, do not touch the circuit board pattern and the connector terminal.

(3) Draining (Bird's nest prevention (CB) type only)



When the regulator becomes filled with water, turn knob ① for drain counterclockwise.

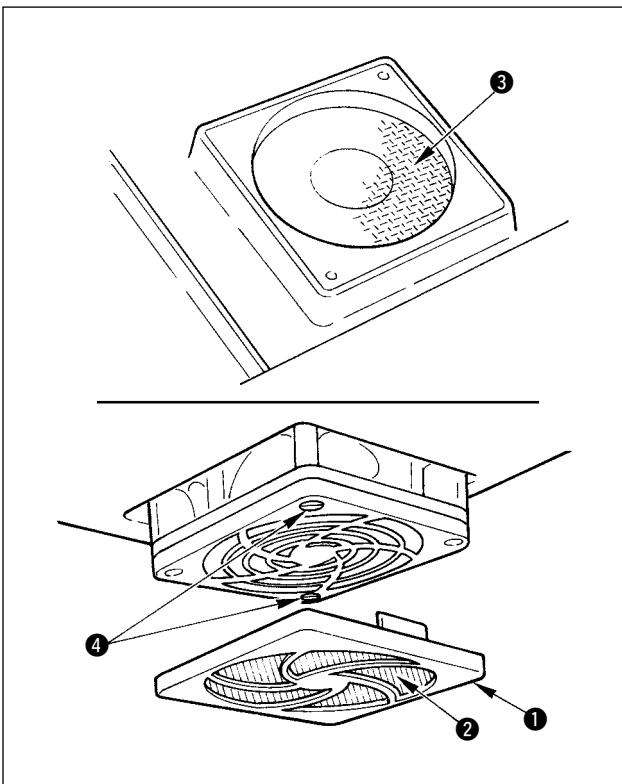
(4) Cleaning the dust bag (Bird's nest prevention (CB) type only)



Periodically clean dust bag ①.

(When the dust bag becomes excessively filled with waste thread, there may be cases where clamp failure occurs.)

(5) Cleaning the cooling fan installed on the under cover

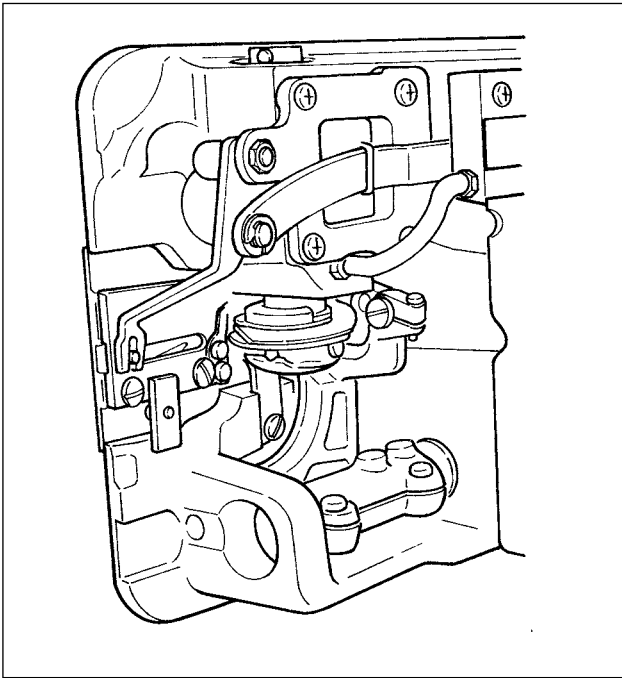


Cloth waste or the like gathers around the cooling fan filter section installed on the lower part of the under cover, and there is a case where cooling effect of the machine head is decreased.

When cloth waste or the like has gathered, remove fan cover ① and take off the cloth waste or the like of filter section ②. In addition, when there is cloth waste or the like in filter section ③, remove filter set-screws ④ and take off the cloth waste or the like of filter section ③.

Caution Be sure to install filters ② and ③ after they have been completely dried up.

(6) Cleaning the hook section



When cloth waste or the like gathers around or adheres to the hook section, trouble (defective sewing, seizure of hook, etc.) of sewing machine will be caused. Periodically clean the section.

(7) Cleaning the rear cover of the control box

Clean the rear cover when dust or the like gathers on it.

(8) Cleaning the operation panel screen

Do not wipe the operation panel screen with thinner or strong force.

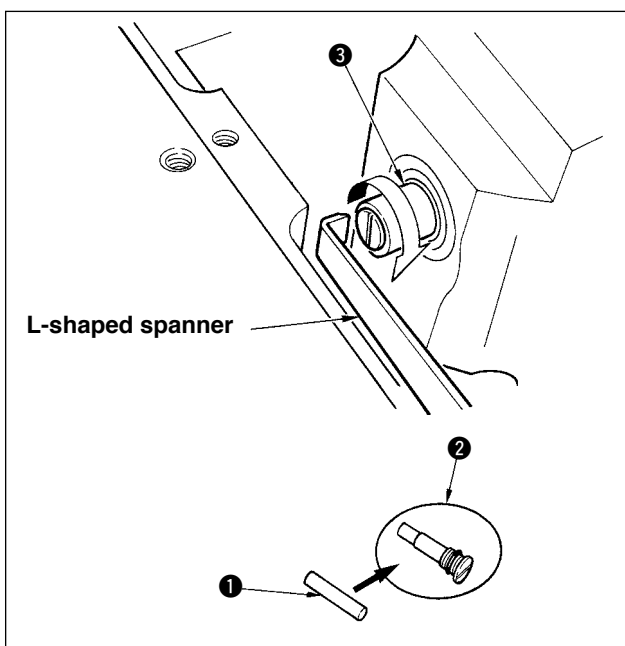
Lightly wipe the screen with a dry and soft cloth or an alcohol-soaked cloth to clean it.

(9) Replacing procedure of the hook shaft oil wick



WARNING :

To protect against possible personal injury due to abrupt start of the machine, be sure to start the following work after turning the power off and ascertaining that the motor is at rest.



1) Hook shaft oil wick ① is mounted on the top end of hook shaft ③. Remove the needle and the parts around the needle (presser foot, needle, throat plate, feed plate, hook and woodruff plate), put a spanner, top end of which is L-shaped to the groove section of hook shaft oil wick screw ②, turn the handwheel in the normal direction of rotation by hand, and draw out the screw.

2) Draw out hook shaft oil wick ① from hook shaft oil wick screw ② which has been drawn out and push a new hook shaft oil wick ① (JUKI Part No. : 11015906) to hook shaft oil wick screw ② (JUKI Part No. B1808552000). At this time, be sure to check that hook shaft oil wick ① has entered up to the end of hook shaft oil wick screw ②.

* When re-assembling, check that the hole at the top end of hook shaft oil wick screw ② is not broken.

3) Securely tighten hook shaft oil wick screw ② to the top end of hook shaft ③.

10. AT A TIME LIKE THIS !



In case of the following, check again before you judge the case as trouble.

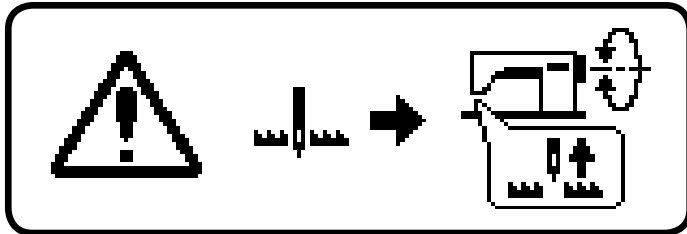
Phenomenon	Cause	Corrective measure
Buzzer peeps and the sewing machine fails to operate when the machine head is tilted.	The measures described on the left are taken for safety when tilting the machine head without turning OFF the power.	Tilt the machine head after turning OFF the power.
Solenoids for thread trimming, reverse stitching, wiper, etc. fail to work.	In case the fuse has blown.	Check the fuse.
The sewing machine fails to run even when depressing the pedal immediately after turning ON the power. The sewing machine runs when depressing the pedal again after depressing the back part of pedal.	Neutral position of the pedal is slipped. (When changing the spring pressure of pedal, the neutral position may be slipped.)	Execute automatic compensation of neutral position of pedal sensor. (Function setting No. 103)
The sewing machine fails to stop even when the pedal is returned to its neutral position.		
Stop position of the sewing machine varies. (Irregular)	In case the screw of handwheel of the machine is forgotten to be tightened when adjusting the stop position of needle.	Securely tighten the screw of handwheel.
Presser foot does not lift although auto-lifter is installed.	Auto-lifter function is set to OFF.	Select "FL ON" by means of auto-lifter function setting selection. (Function setting No. 23)
	Pedal type is set to KFL.	Change the jumper to PFL setting when lifting the presser foot by depressing the back part of pedal.
	Cord of auto-lifter is not connected to connector.	Correctly connect the cord.
Reverse feed stitching switch fails to work.	Presser foot is lifting by means of auto-lifter.	Operate the switch after the presser foot has come down.
	Auto-lifter function is set to ON although auto-lifter is not installed.	Select "FL OFF" when auto-lifter is not installed. (Function setting No. 23)
The sewing machine fails to run.	Motor output cord (4P) is disconnected.	Correctly connect the cord.
	Connector of motor signal cord is disconnected.	Correctly connect the cord.
Panel switch fails to work.	Key lock is locked.	Change the key lock to the proper level. P.70

11. ERROR DISPLAY



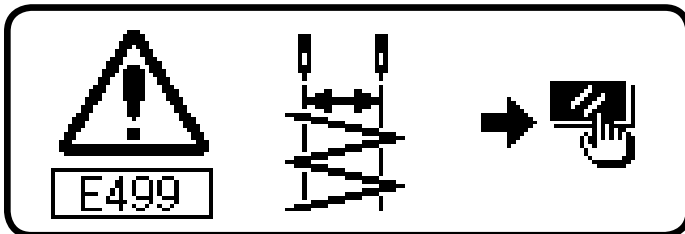
Error is informed by means of the panel display, machine head mirror LED blink and control box buzzer.

Three different kinds of screens of the panel display screen appear due to the difference of the procedures.



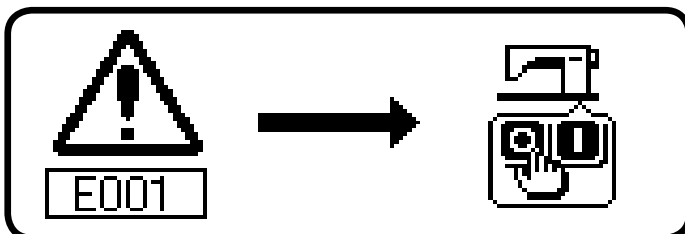
1) Error screen disappears when the operator removes the cause.

Example) The needle position is not in its UP position.
Make the needle position UP by turning the handwheel by hand.



2) Press the reset switch, and remove the cause of error after erasing the error screen.

Example) E499 Max. zigzag width limitation error.
Press the reset switch.




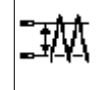


3) Remove the cause of error after turning OFF the power.




11-1. Error code list (Error display in panel)

There are the following error codes in this device. These error codes interlock (or limit function) and inform the problem so that the problem is not enlarged when any problem is discovered. When you request our service, please confirm the error codes.

No.	Description of error detected	Cause	Item to be checked or corrective measure	Mirror LED flash	Pictograph display
-	UP position detection error when turning ON the power	<ul style="list-style-type: none"> When needle position is not UP position at the time of turning ON the power. 	<ul style="list-style-type: none"> Set to UP position by turning handwheel by hand. Connect synchronizer connector. 	-	
-	Media cover open	<ul style="list-style-type: none"> Lid of media slot is open. 	<ul style="list-style-type: none"> Close the lid. 	-	
003	Disconnection of synchronizer connector	<ul style="list-style-type: none"> When position detection signal is not inputted from the sewing machine head synchronizer. When the synchronizer has broken. 	<ul style="list-style-type: none"> Check the synchronizer connector (CN30) for loose connection and disconnection. Check whether the synchronizer cord has broken since the cord is caught in the machine head or the like. 	-	
004	Synchronizer lower position sensor failure				
005	Synchronizer upper position sensor failure				
007	Overload of motor	<ul style="list-style-type: none"> When the machine head is locked. When sewing extra-heavy material beyond the guarantee of the machine head. When the motor does not run. 	<ul style="list-style-type: none"> Check whether the thread has been entangled in the motor pulley. Check the motor output connector (4P) for loose connection and disconnection. 	-	
008	Machine head connector failure	<ul style="list-style-type: none"> When the machine head connector is not properly read. 	<ul style="list-style-type: none"> Check the machine head connector (CN54) for loose connection and disconnection. 	-	
011	Media not inserted	<ul style="list-style-type: none"> Media is not inserted. 	<ul style="list-style-type: none"> Turn OFF the power. 	-	
012	Read error	<ul style="list-style-type: none"> Data read from media is not possible. 	<ul style="list-style-type: none"> Turn OFF the power. 	-	
013	Write error	<ul style="list-style-type: none"> Data write to media is not possible. 	<ul style="list-style-type: none"> Turn OFF the power. 	-	
015	Format error	<ul style="list-style-type: none"> Formatting cannot be performed. 	<ul style="list-style-type: none"> Turn OFF the power. 	-	
016	External media capacity over	<ul style="list-style-type: none"> Capacity of media is short. 	<ul style="list-style-type: none"> Turn OFF the power. 	-	
019	File size over	<ul style="list-style-type: none"> File is too big. 	<ul style="list-style-type: none"> Turn OFF the power. 	-	
024	Pattern data size over	<ul style="list-style-type: none"> Number of stitches and data amount which can be handled with device are over. 	<ul style="list-style-type: none"> Turn OFF the power. 	-	
032	File compatibility error	<ul style="list-style-type: none"> There is no file compatibility. 	<ul style="list-style-type: none"> Turn OFF the power. 	-	
040	Travel limit over	<ul style="list-style-type: none"> Sewing data has exceeded sewing possible area. 	<ul style="list-style-type: none"> Turn OFF the power. 	-	
042	Operation error	<ul style="list-style-type: none"> Operation of sewing data cannot be performed. 	<ul style="list-style-type: none"> Turn OFF the power. 	-	
053	Execution of panel backup data initialization (Not error)	<ul style="list-style-type: none"> When model code of panel does not agree with that of control box. When executing initialization operation with the panel. 	<ul style="list-style-type: none"> Turn OFF the power. 	-	
302	Fall detection switch failure	<ul style="list-style-type: none"> When fall detection switch is inputted in the state that the power is turned ON. 	<ul style="list-style-type: none"> Check whether the machine head is tilted without turning OFF the power switch (sewing machine operation is prohibited for safety sake). Check whether the fall detection switch cord is caught in the sewing machine or the like and has broken. Check whether the fall detection switch lever is caught in something. 	-	
490	Pattern setting error of continuous stitching and cycle stitching	<ul style="list-style-type: none"> When pattern No. is not set to continuous stitching. When the number of stitches of 1st step of continuous stitching is "0". When pattern No. is not set to cycle stitching. 	<ul style="list-style-type: none"> Re-enter data after reset operation. Set pattern No. and number of stitches. 	7 times flash	
491	Cycle stitching pattern error	<ul style="list-style-type: none"> When pattern to be used in cycle stitching becomes error. 	<ul style="list-style-type: none"> Re-enter data after reset operation. Correct data of pattern which becomes error. 	7 times flash	

No.	Description of error detected	Cause	Item to be checked or corrective measure	Mirror LED flash	Pictograph display
492	Data deletion impossible	<ul style="list-style-type: none"> When data to be deleted is used in pattern sewing, continuous stitching or cycle stitching. 	<ul style="list-style-type: none"> Reset operation In case of deletion, release the use of pattern sewing, continuous stitching or cycle stitching used, and perform again deletion. 	—	
493	Condensation custom pattern width error	<ul style="list-style-type: none"> When zigzag width of condensation custom pattern is larger than max. zigzag width limitation. 	<ul style="list-style-type: none"> Re-enter data after reset operation. Set zigzag width of condensation custom pattern within max. zigzag width limitation. 	7 times flash	
498	Position of stitch base line error	<ul style="list-style-type: none"> When the set zigzag width is within max. zigzag width limitation, but zigzag position exceeds max. zigzag width limitation according to the position of stitch base line. 	<ul style="list-style-type: none"> Re-enter data after reset operation. Set the position of stitch base line within max. zigzag width limitation. When condensation custom is selected, check and correct the position of condensation. 	7 times flash	
499	Max. zigzag width error	<ul style="list-style-type: none"> When specified zigzag width is within max. zigzag width limitation, but zigzag position exceeds max. zigzag width limitation according to the position of stitch base line. 	<ul style="list-style-type: none"> Re-enter data after reset operation. Set the position of stitch base line within max. zigzag width limitation. 	7 times flash	
703	Connection of panel which is not supposed	<ul style="list-style-type: none"> When panel connected to the sewing machine is the kind which is not supposed. 	<ul style="list-style-type: none"> Turn OFF the power. Connect the proper panel. 	—	
704	Inconsistency of system versions	<ul style="list-style-type: none"> When system versions are inconsistent. 	<ul style="list-style-type: none"> Turn OFF the power. Consist system versions with each other. 	—	
730	Encoder failure	<ul style="list-style-type: none"> When the motor signal is not properly inputted. 	<ul style="list-style-type: none"> Check the motor signal connector (CN38) for loose connection and disconnection. 	—	
731	Media not inserted		<ul style="list-style-type: none"> Check whether the motor signal cord has broken since the cord is caught in the machine head or the like. broken since the cord is caught in the machine head or the like. 	—	
810	Solenoid short-circuit	<ul style="list-style-type: none"> When the short-circuited solenoid is desired to be driven. 	<ul style="list-style-type: none"> Check whether the solenoid is short-circuited. 	—	
811	Overvoltage	<ul style="list-style-type: none"> When voltage upper than guaranteed one is inputted. When 200V is inputted for 100V setting. 	<ul style="list-style-type: none"> Check whether the applied power voltage is higher than the rated voltage + (plus) 10% or more. Check whether 100V/200V changeover connector is set by mistake. In the above cases, POWER circuit board has broken. 	—	
813	Low voltage	<ul style="list-style-type: none"> When voltage lower than guaranteed one is inputted. When 100V is inputted for 200V setting. 	<ul style="list-style-type: none"> Check whether the voltage is lower than the rated voltage - (minus) 10% or less. Check whether 100V/200V changeover connector is set by mistake. 	—	
907	Zigzag drive origin error	<ul style="list-style-type: none"> Origin sensor of zigzag drive motor is not detected. 	<ul style="list-style-type: none"> Turn OFF the power. Trouble of origin sensor of zigzag drive motor Disconnection of relay cable of zigzag drive motor Trouble of zigzag drive circuit 	—	
915	Operation panel transmission failure	<ul style="list-style-type: none"> Disconnection of operation panel cord Operation panel has broken. 	<ul style="list-style-type: none"> Check the operation panel connector (CN3) for loose connection and disconnection. Check whether the operation panel cord has broken since the cord is caught in the machine head or the like. 	4 times flash	
919	Overheat error	<ul style="list-style-type: none"> When temperature of inside of electrical box has abnormally risen. 	<ul style="list-style-type: none"> Turn OFF the power. Cleaning of fan filter Removal of cause of temperature rise of electrical box 	—	
924	Motor driver failure	<ul style="list-style-type: none"> Motor driver has broken. 		—	

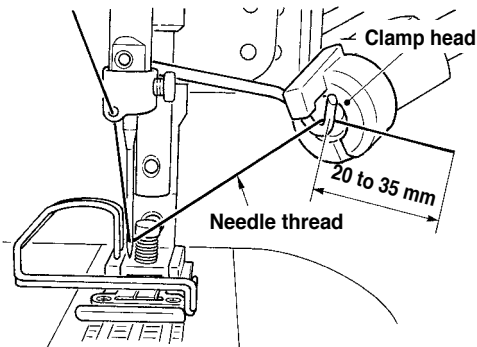
■ Warning list

No	Contents and display of warning	Corrective measure	Remarks
A201	Replacement of needle warning 	<ul style="list-style-type: none"> Press X to close warning screen, and perform replacement of needle. Then clear the value in the clear screen. Press C to clear the value, and perform replacement of needle. 	Refer to “Sewing management information, p.71.
A202	Cleaning warning 	<ul style="list-style-type: none"> Press X to close warning screen, and perform cleaning. Then clear the value in the clear screen. Press C to clear the value, and perform cleaning. 	Refer to “Sewing management information, p.71.
A203	Replacement of oil warning 	<ul style="list-style-type: none"> Press X to close warning screen, and perform replacement of oil. Then clear the value in the clear screen. Press C to clear the value and perform replacement of oil. 	Refer to “Sewing management information, p.71.

12.TROUBLES AND CORRECTIVE MEASURES

Phenomenon	Cause	Corrective measures	See page
Thread breakage	① When the thread gets entangled in the thread take-up lever.	Remove the entanglement.	17
	② When the needle thread is threaded in a wrong way.	Thread it correctly.	17
	③ When the thread gets entangled in the sewing hook.	Remove the entanglement.	101
	④ When the needle thread is excessively tight or loose.	Adjust the thread tension.	92
	⑤ When the needle thread slips out of the rotary disc.	Increase the tension of the pretension disk.	
	⑥ When the tension of the thread take-up spring is excessively high or low.	Adjust the tension of the take-up spring.	92
	⑦ When the stroke of the thread take-up spring is excessively large or small.	Adjust the stroke of the take-up spring. (8 to 12 mm)	92
	⑧ When the timing of the sewing hook and the needle is not matched.	Adjust the timing.	101
	⑨ When there is a scratch on the thread path of hook, bobbin case, thread take-up lever or any other part.	Remove such a scratch or replace the component.	100, 101
	⑩ When the thread is not suitable. a. The quality of the thread is poor. b. The thread is too thick for the needle. c. The thread is broken by heat.	Use a thread of good quality. Use a suitable thread or needle. Use JUKI Silicone Oil Lubricant unit.	
	⑪ When the stitch is skipped.	Refer to the following paragraphs, Stitch skipping.	
Stitch skipping	① When the needle is inserted in a wrong way. a. The needle is not entirely inserted into the needle bar. b. The needle eye is not facing straight to the operator. c. The needle is facing backwards.	Fully insert the needle. Let the needle eye face straight to the operator. Let the long groove on the needle face to the operator.	15 15 15
	② When the needle itself is not suitable. a. The needle is bent. b. The quality of the needle is not good. c. The needle is too thin for the thread. d. Blunt needle is used.	Replace it with a new needle. Use a needle of good quality. Use a suitable needle or thread. Replace it with a new needle. Resharpen the hook or replace it.	15
	③ When the hook blade point is not sharp enough or damaged.		100, 101
	④ When the timing of the sewing hook and the needle is not matched.	Adjust the timing properly.	101
	⑤ When the height of the needle bar is not correct.	Adjust the height of the needle bar.	
	⑥ When the clearance between the needle and the sewing hook is too great.	Adjust the clearance.	101 101
	⑦ When the needle thread slips out of the rotary disc. (For auxiliary thread take-up lever type only)	Adjust the position of the auxiliary thread take-up lever properly.	103
Loose stitch	① When the needle thread tension is too low.	Increase the needle thread tension.	92
	② When the tension of the thread take-up spring is too low.	Increase the tension of the spring.	92
	③ When the tension of the bobbin thread is too high.	Decrease the bobbin thread tension.	92
	④ When the timing of the sewing hook and the needle is not matched.	Adjust the timing correctly.	101
	⑤ When the thread is too thick for the needle.	Use a suitable needle or thread.	
	⑥ When the thread slips out of the rotary disc.	Increase the tension of the pretension disk.	92
Irregular stitch tightness	① When the bobbin thread tension is too low.	Increase the bobbin thread tension.	92
	② When the bobbin thread is not wound correctly.	Wind up the bobbin thread evenly.	15
	③ When there is a scratch on the thread path of the sewing hook, bobbin case, thread take-up lever or any other parts.	Remove such a scratch or replace the component.	
Needle breakage	① When the needle is bent.	Replace it with a new needle.	
	② When the quality of the needle is not good.	Use a needle of good quality.	
	③ When the needle is not entirely inserted into the needle bar.	Insert the needle into the needle bar as far as it will go.	15
	④ When the needle hits the sewing hook.	Adjust the timing and clearance between the needle and the sewing hook and also the position of the needle guard.	101
	⑤ The needle is too thin for the sewing material and thread.	Replace a suitable needle.	
	⑥ The needle hole in the throat plate is too narrow.		
	⑦ The needle hits against the throat plate.		
	⑧ The needle hits against the presser foot.		

Bird's nest prevention (CB) type

Phenomenon	Cause	Corrective measure	See page
Needle thread clamp failure	① Improper wiper position.	Adjust the wiper to the proper position.	104
	② Air pressure drop.	Set the air pressure to 0.6Mpa.	13
	③ Dust bag becomes excessively filled with waste thread.	Remove waste thread from the dust bag.	107
	④ Thread trimmer or wiper operates when needle does not enter the cloth.	Operate thread trimmer or wiper on the cloth.	105
	⑤ Needle thread length is too short. Thread does not reach the clamp head.	Perform pre-tension adjustment and lengthen needle thread. (Adjust the length from the clamp head to approximately 20 to 35 mm.)	92
			
	⑥ Uneven length of left and right needle threads (Thread which is not stretched such as cotton thread or the like is used.)	Change the kind of thread.	
Bobbin thread at the start of sewing is drawn up on the cloth.	Bobbin thread is taken up on the cloth by needle thread at 1st stitch at the start of sewing since needle thread remaining amount after completion of needle thread clamp is small.	Step 1 : Increase the drawing amount of needle thread and increase needle thread remaining amount at the start of sewing.	103
		Step 2 : Make tension release SOL (solenoid) actuate at the start of sewing to perform tension release and increase the thread remaining amount. (Input the number of stitches of thread release at the start of sewing with function setting No.100.)	84
		Step 3 : Make the thread drawing device actuate again after completion of needle thread clamp to perform tension release and increase the thread remaining amount. (Set function setting No.18 to 2.)	81
		Step 4 : Make all step items (1 + 2 + 3) function.	81, 84
Knife to cut needle thread is dull.	① Worn-out of needle thread cutting knife.	Replace the knife with a new one.	105
	② Improper installing position of the knife.	Adjust the position to the proper one.	105
Interference of wiper with needle	① Improper UP stop position.	Adjust the UP stop position.	102
	② Improper wiper locus.	Re-adjust the locus of the wiper.	104
	③ Improper wiper position.	Re-adjust the position of the wiper.	104

[Power voltage changeover procedure (power voltage setting procedure)]

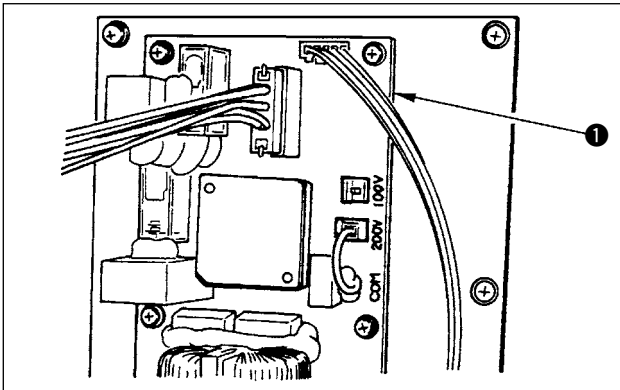


WARNING :

To prevent personal injuries caused by electric shock hazards or abrupt start of the sewing machine, carry out the work after turning OFF the power switch and a lapse of 5 minutes or more. To prevent accidents caused by unaccustomed work or electric shock, request the electric expert or engineer of our dealers when adjusting the electrical components.

It is adaptable to the voltage of single phase 100V to 120V/3-phase 200V to 240V by changing the voltage changeover connector mounted on FLT p.c.b.

(Caution) When the changing procedure is wrong, the control box will be broken. So, be very careful.



Changing procedure of the changeover connector

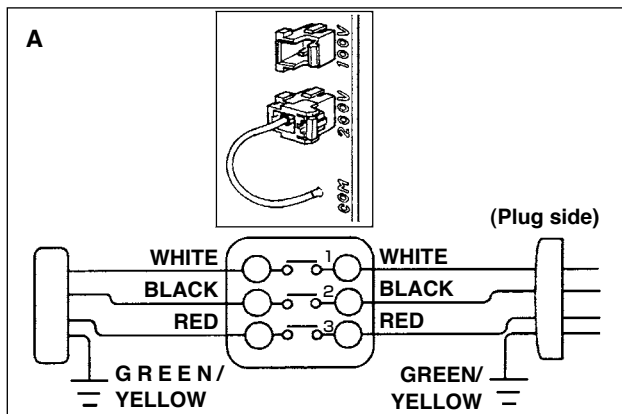
1. Turn OFF the power source with the power switch after confirming that the sewing machine has stopped.
2. Draw out the power cord from the power plug socket after confirming that the power switch is turned OFF. Then wait for five minutes or more.
3. Remove the front cover.
4. Remove four screws fixing the rear cover of the control box and slowly open the rear cover.

A. In case of using with 3-phase 200V to 240V

• Changing the changeover connector

Connect to 200V the 100/200V changeover connector of FLT p.c.b. ❶ located on the upper side of the right side face as observed from the rear cover side.

• Connect the crimp style terminal of AC input cord to the power plug as shown in the figure.



B. In case of using with single phase 100V to 120V

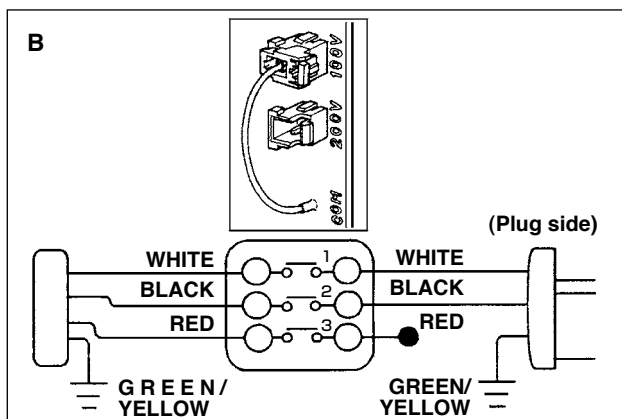
• Changing the changeover connector

Connect to 100V the 100/200V changeover connector of FLT p.c.b. ❶ located on the upper side of the right side face as observed from the rear cover side.

• Connect the crimp style terminal of AC input cord to the power plug as shown in the figure.

(Caution) Securely perform the insulation treatment to the black terminal which is not used with insulation tape or the like.

(When the insulation is insufficient, there is a danger of electric shock or leakage current.)



C. In case of using with single phase 200V to 240V

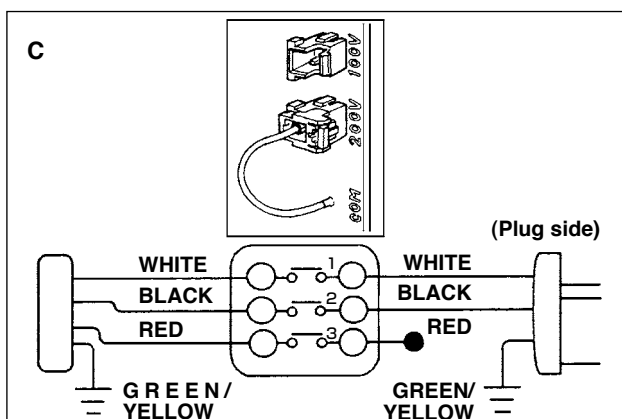
• Changing the changeover connector

Connect to 200V the 100/200V changeover connector of FLT p.c.b. ❶ located on the upper side of the right side face as observed from the rear cover side.

• Connect the crimp style terminal of AC input cord to the power plug as shown in the figure.

(Caution) Securely perform the insulation treatment to the black terminal which is not used with insulation tape or the like.

(When the insulation is insufficient, there is a danger of electric shock or leakage current.)



5. Check that the change has been performed without fail before closing the rear cover.
6. Be careful that the cord is not pinched between the rear cover and the control box main unit. Close the rear cover while pressing the lower side of rear cover, and tighten four screws.