

# ***PARTS LIST***

**L-1A**

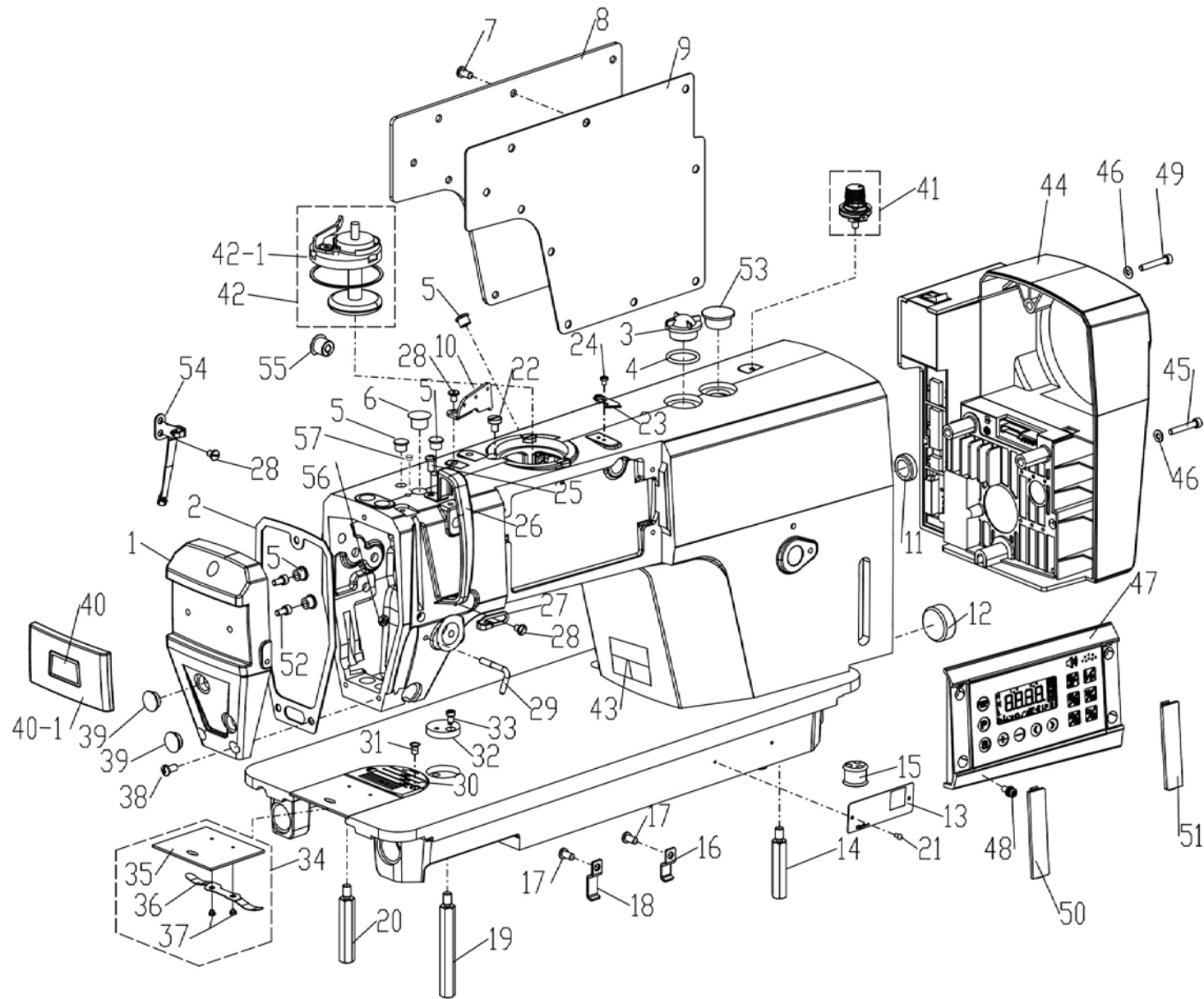
**PARTS LIST**



# CONTENTS

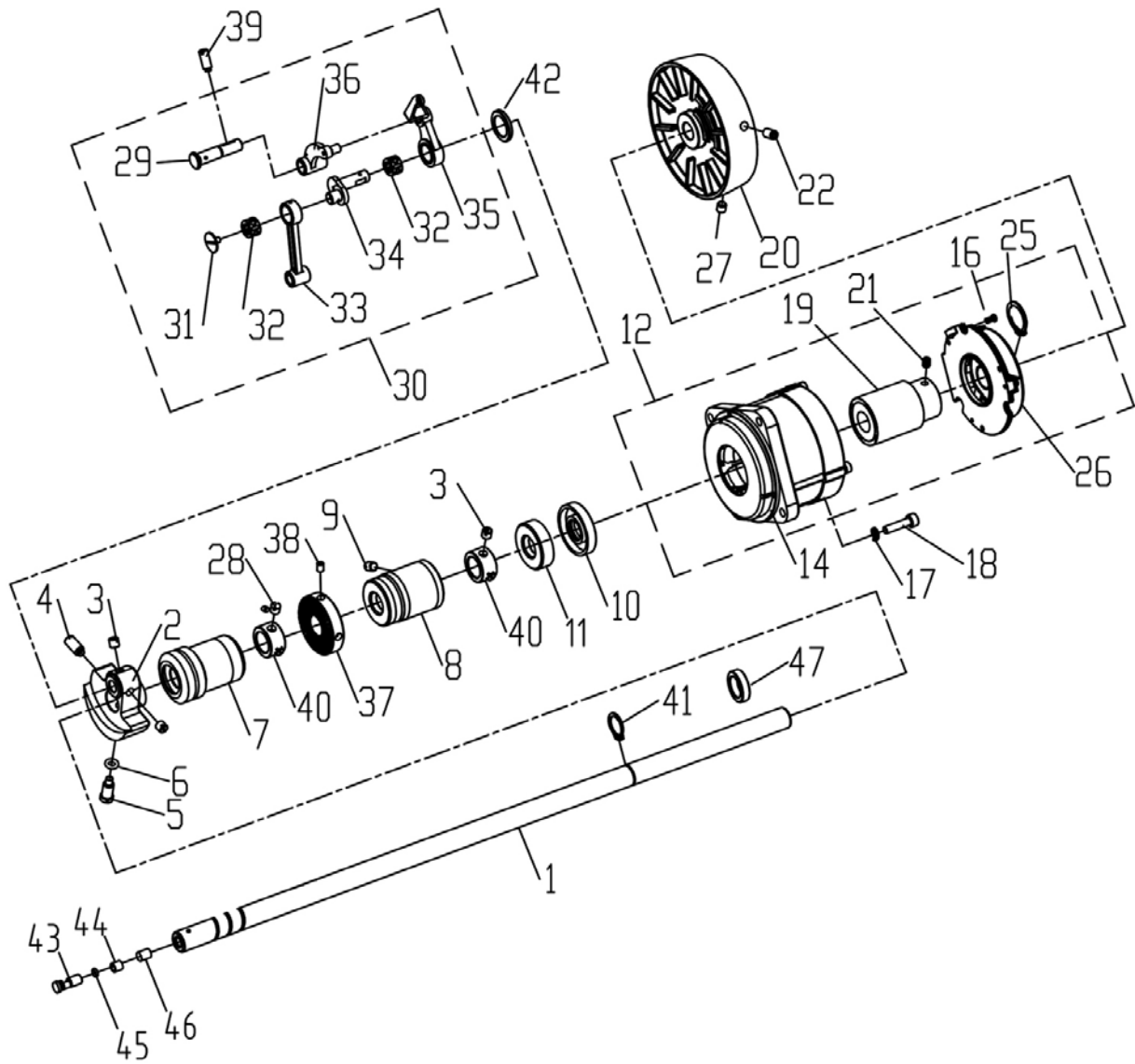
1. MACHINE FRAME & MISCELLANEOUS COVER COMPONENTS.....	1
2. MAIN SHAFT & THREAD TAKE-UP COMPONENTS .....	3
3. NEEDLE BAR & THREAD TENSION COMPONENTS.....	5
4. PRESSER BAR & TENSION RELEASE COMPONENTS .....	7
5. HOOK OF DRIVING SHAFT COMPONENTS.....	9
6. FEED MECHANISM COMPONENTS .....	11
7. STEPPER FEED REGULATING COMPONENTS.....	13
8. THREAD TRIMMER COMPONENTS .....	15
9. ELECTRIC CLAMP COMPONENTS .....	17
10. LUBRICATION COMPONENTS .....	19
11. PRESSER FOOT COMPONENTS OF OIL PLATE KNEE LIFT.....	21
12. COMPONENTS OF THREAD-RUNNING STAND.....	23
13. AUXILIARIES.....	25
14. AUTOMATIC PRESSER FOOT LIFTER COMPONENTS.....	27

# 1. MACHINE FRAME & MISCELLANEOUS COVER COMPONENTS



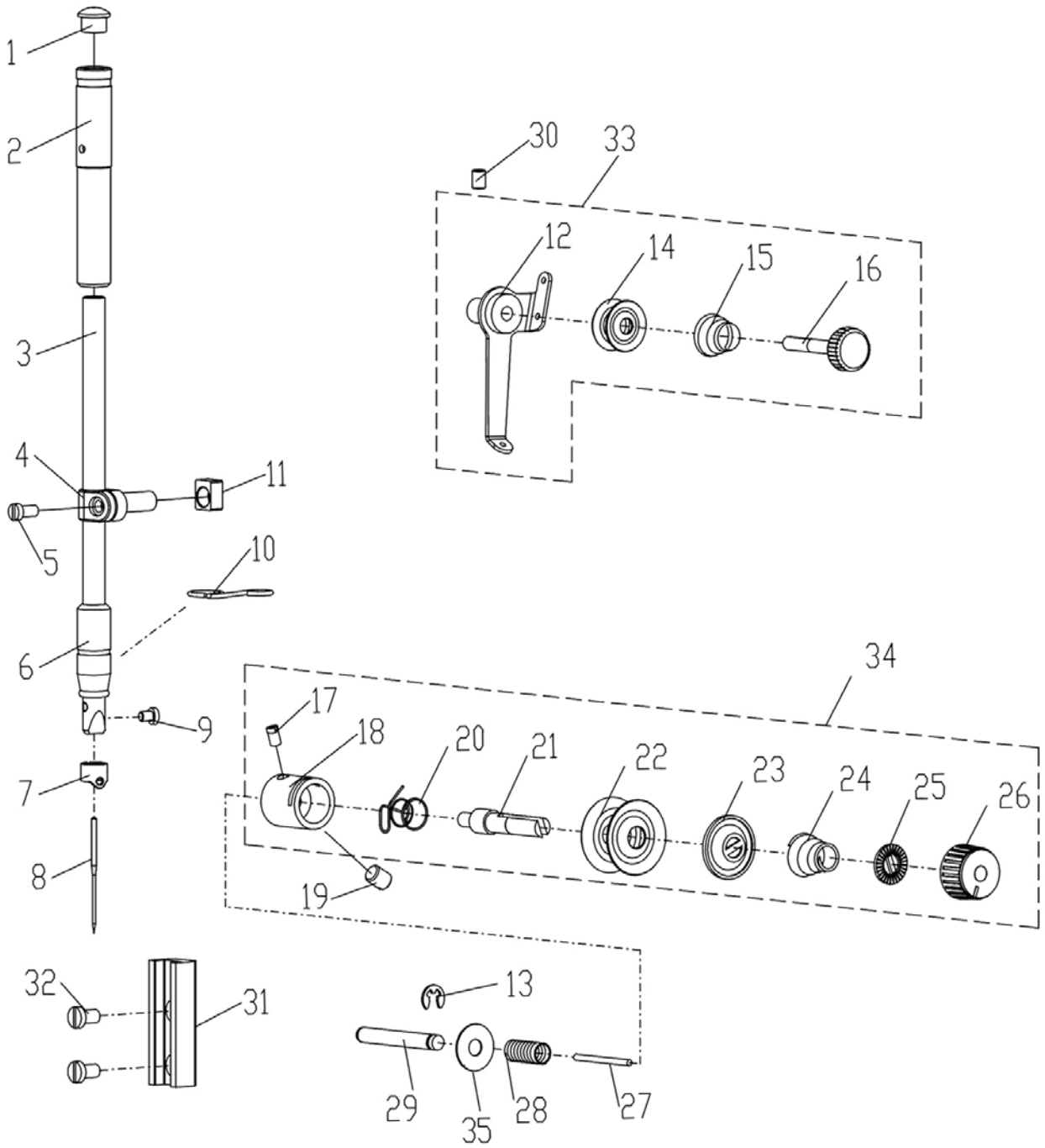
Ref. No	Part No	Description	QTY
1	JINPFS5T0101	FACE PLATE	1
2	JINPFS5T0102	FACE PLATE GASKET	1
3	JINPF5550824	OIL WINDOW	1
4	JINPF5550825	THRUST COLLAR ASM	1
5	JINPF5550113	RUBBER PLUG	6
6	JINPF5550112	RUBBER PLUG	1
7	JINPF555016	SCREW	8
8	JINPFS3T0108	SIDE PLATE	1
9	JINPFS3T0109	SIDE PLATE GASKET	1
10	JINPF0302113	OVER LINE BOARD	1
11	JINPF5550114	RUBBER PLUG	1
12	JINPF5550115	RUBBER PLUG	1
13	JINBZ3463	MODEL PLATE	1
14	JINPF555013	BED SCREW STUD	2
15	JINPF888056D131	RUBBER PLUG	1
16	JINPF99901511	CORD HOLDER(S)	2
17	JINPF5550161	SCREW	2
18	JINPF99901160	CORD HOLDER(L)	1
19	JINPF90000120	BED SCREW STUD(L)	1
20	JINPF90000121	BED SCREW STUD(M)	1
21	JINSCJ6071	POLE	2
22	JINPF90000131	SCREW	3
23	JINPF90000132	THREAD CUTTER	1
24	JINPF68425K19	SCREW	2
25	JINPF5550230	SCREW	1
26	JINPFQ5126	THREAD TAKE-UP LEVER COVER	1
27	JINPF5550316	RIGHT ARM THREAD GUIDE	1
28	JINPF5550317	SCREW	3
29	JINPF9520MXDK021	LARGE ARM THREAD GUIDE	1
30	JINPF555063601D	NEEDLE PLATE	1
	JINPF0302141	NEEDLE PLATE	1
31	JINPF5550637	SCREW	2
32	JINPFQ50132	RULER PLATE	1
33	JINPF5550117	SCREW	1
34	JINPF5550638	SLIDE PLATE ASM	1
35	JINPF555063801	SLIDE PLATE	1
36	JINPF555063802	SPRING OF SLIDE PLATE	1
37	JINPF555063803	SCREW	2
38	JINPF5550161	SCREW	3
39	JINPF8420M-D3010107	RUBBER PLUG	2
40	JINBZ3299	PLATE	1
40-1	JINPFS5T014002	DECORATION BOARD	1
41	JINPFQ514101	BOBBIN THREAD TENSION ASM	1
42	JINPFS5T0142	BOBBIN WINDER ASM	1
42-1	JINPF900001511	OIL SEAL OF COILING WHEEL	1
43	JINBZ3141	SAFETY-INDICATING PLATE	1
44	JINPFS5T0144P	PILLEY COVER ASM	1
45	JINPFS5T0145	SCREW	3
46	JINSCJ3010	WASHER	3
47	JINPFS5T0144PSF01	OPERATION PANEL	1
48	JIN14060018	SCREW	4
49	JINPFS5T0149	SCREW	1
50	JINPFS5T0144PSF02	LEFT COVER PLATE	1
51	JINPFS5T0144PSF03	RIGHT COVER	1
52	JINBF310164527	SCREW	2
53	JINPF98000187	RUBBER PLUG	1
54	JINPFQ5129	LEFT ARM THREAD GUIDE	1
55	JINPFS5T0155	OPERATION PANEL LINE HOLE PLUG	1
56	JINPF9520MXDK02101	NUT	1
57	JINPF9820A50	RUBBER PLUG	1

## 2. MAIN SHAFT & THREAD TAKE-UP COMPONENTS



Ref.No	Part No	Description	QTY
1	JINPFS5T0201	MAIN SHAFT	1
2	JINPFQ60202	NEEDLE BAR CRANK	1
	JINPFQ520201	NEEDLE BAR CRANK (H)	1
3	JINPF5550625	SCREW	4
4	JINPF5550218	SCREW	1
5	JINPF5550216	SCREW	1
6	JINPF5550217	RUBBER RING	1
7	JINPFQ50207	FRONT BUSHING OF MAIN SHAFT	1
8	JINPF555028	MID BUSHING OF MAIN SHAFT	1
9	JINPF555029	SCREW	1
10	JINPF90000210	OIL SEAL	1
11	JINPF9802DP0205	UPPER SHAFT REAR SLEEVE	1
12	JINPFQ5TE2014401	MOTOR	1
14	JINPFQ5TE2014413	MOTOR STATOR	1
16	JINPFS5T0216	SCREW	8
17	JINSCJ3008	WASHER	4
18	JINSCJ2010	SCREW	4
19	JINPFQ5TE2014414	MOTOR ROTOR	1
20	JINPFS5T0220	HEAD WHEEL	1
21	JINPFS5T021205	SCREW	2
22	JINPF1310B24	SCREW	1
25	JINPFS5T021208	REED SPRING	1
26	JINPFQ5TE20144SF03	ENCODER COMPONENT	1
27	JINPF1310B24	SCREW	1
28	JINPF90008129	SCREW	2
29	JINPF5550225	THREED TAKE-UP CRANK SHAFT	1
30	JINPF5550K0223A	THREED TAKE-UP ASM.	1
	JINPF5550H0223A	THREED TAKE-UP ASM.	1
31	JINPF5550228	SCREW	1
32	JINPF555022404	BEARING	2
33	JINPF555031	NEEDLE BAR CONNECTING ROD	1
34	JINPF55502201	THREED TAKE-UP SHAFT	1
35	JINPF55502212	THREED TAKE-UP	1
36	JINPF55502211	THREED TAKE-UP CONNECTING ROD	1
37	JINPF03030223	WHEEL	1
38	JINPF68425H33	SCREW	2
39	JINPF555022	SCREW	1
40	JINPF555026	RETAINING RING	2
41	JINPFSCJ1036	RETAINING RING	1
42	JINPF90008134	WASHER (H)	1
43	JINPF5550213	OIL AMOUNT ADJUSTING PIN	1
44	JINPF5550212	OIL ADJUSTING COLLAR	1
45	JINPF5550214	RUBBER RING	1
46	JINPF5550211	ROLLER FELT	1
47	JINPFQ5F0242	WASHER	1

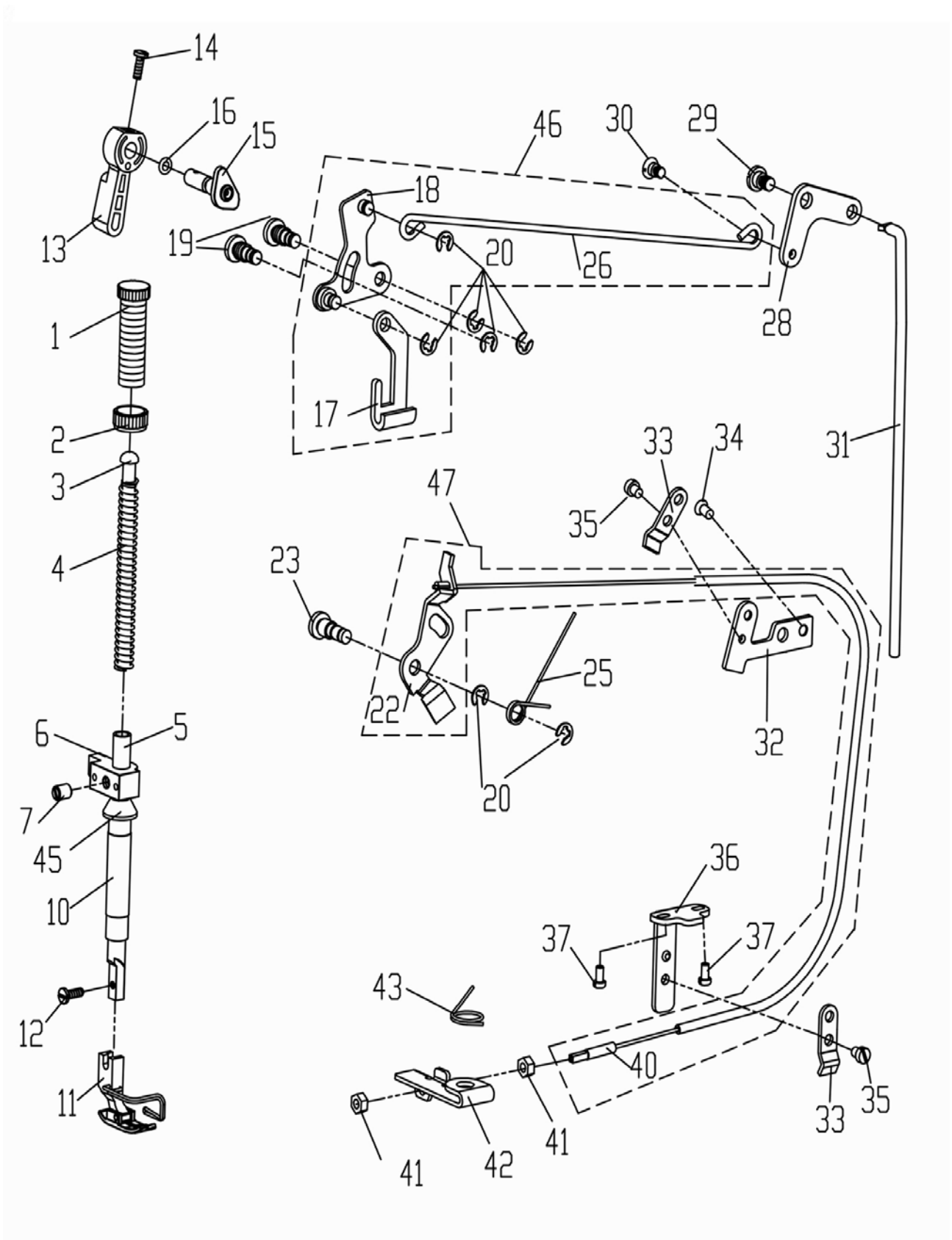
### 3. NEEDLE BAR & THREAD TENSION COMPONENTS





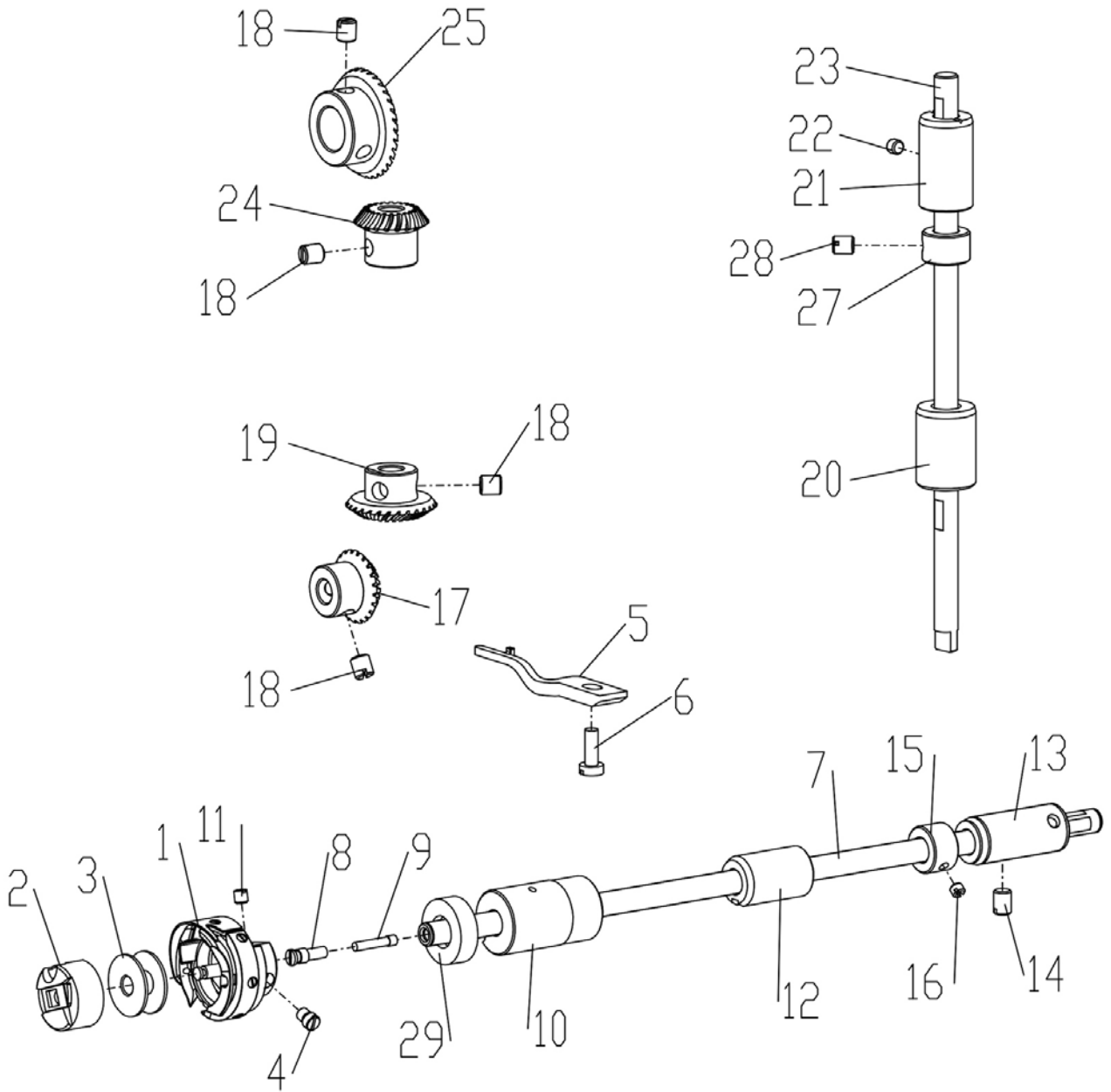
Ref.No	Part No	Description	QTY
1	JINPF555037	RUBBER PLUG	1
2	JINPF555036	UPPER BUSHING OF NEEDLE BAR	1
3	JINPF9000030301	NEEDLE BAR	1
	JINPF90000303H	NEEDLE BAR	1
4	JINPF555033	NEEDLE BAR HOLDER	1
5	JINPF55503301	SCREW 9/64-40 L=6	1
6	JINPF55503802	LOWER BUSHING OF NEEDLE BAR	1
	JINPF90000306H	LOWER BUSHING OF NEEDLE BAR	1
7	JINPF5550311	NEEDLE BAR THREAD GUIDE	1
8	JINPFDTDB114	NEEDLE(DBx1#14)	1
	JINPFDTDP521	NEEDLE(DPx5#21)	1
9	JINPF5550312	SCREW 1/8-44 L=4.5	1
10	JINPF888056D309	NEEDLE BAR THREAD GUIDE	1
	JINPF5550H39	NEEDLE BAR THREAD GUIDE	1
11	JINPF90010311	SLIDE BLOCK	1
12	JINPFQ53121604	THREAD TENSION SPRING	1
13	JINSCJ1004	SNAP RING	1
14	JINPFQ53121601	BOBBIN WINDER TENSION DISC	2
15	JINPFQ53121602	THREAD TENSION SPRING	1
16	JINPFQ53121603	SCREW	1
17	JINPFQ53172609	SET SCREW 9/64-40 L=4	1
18	JINPFQ53172601	TENSION POST SOCKET	1
19	JINPF5550330	SCREW 15/64-28 L=7	1
20	JINPFQ53172602	TAKE-UP SPRING	1
	JINPFQ5H3172602	TAKE-UP SPRING	1
21	JINPFQ53172603	SCREW	1
22	JINPFQ53172604	TENSION DISC	2
23	JINPFQ53172605	TENSION DISC HOLDER	1
24	JINPFQ53172606	TENSION SPRING	1
	JINPFQ5H3172606	TENSION SPRING	1
25	JINPFQ53172607	TENSION DISC STOPPER	1
26	JINPFQ53172608	TENSION NUT	1
27	JINPF6150131	THREAD RELEASE PIN	1
28	JINPF5550334	TENSION RELEASE PIN SPRING	1
29	JINPF90000329	TENSION RELEASE SUPPORTING PIN	1
30	JINPF68425H33	SCREW 11/64-40 L=6	1
31	JINPF9001033101	NEEDLE BAR TROUGH	1
32	JINPF6150227	SLIDE BLOCK 11/64-40 L=8	2
33	JINPFQ531216	Upper thread clamp	1
34	JINPFQ531726B	Thread clamp assembly	1
	JINPFQ5H3172601	Thread clamp assembly	1
35	JINPF5550333	TENSION RELEASE SUPPORTING PIN WASHER	1

#### 4. PRESSER BAR & TENSION RELEASE COMPONENTS



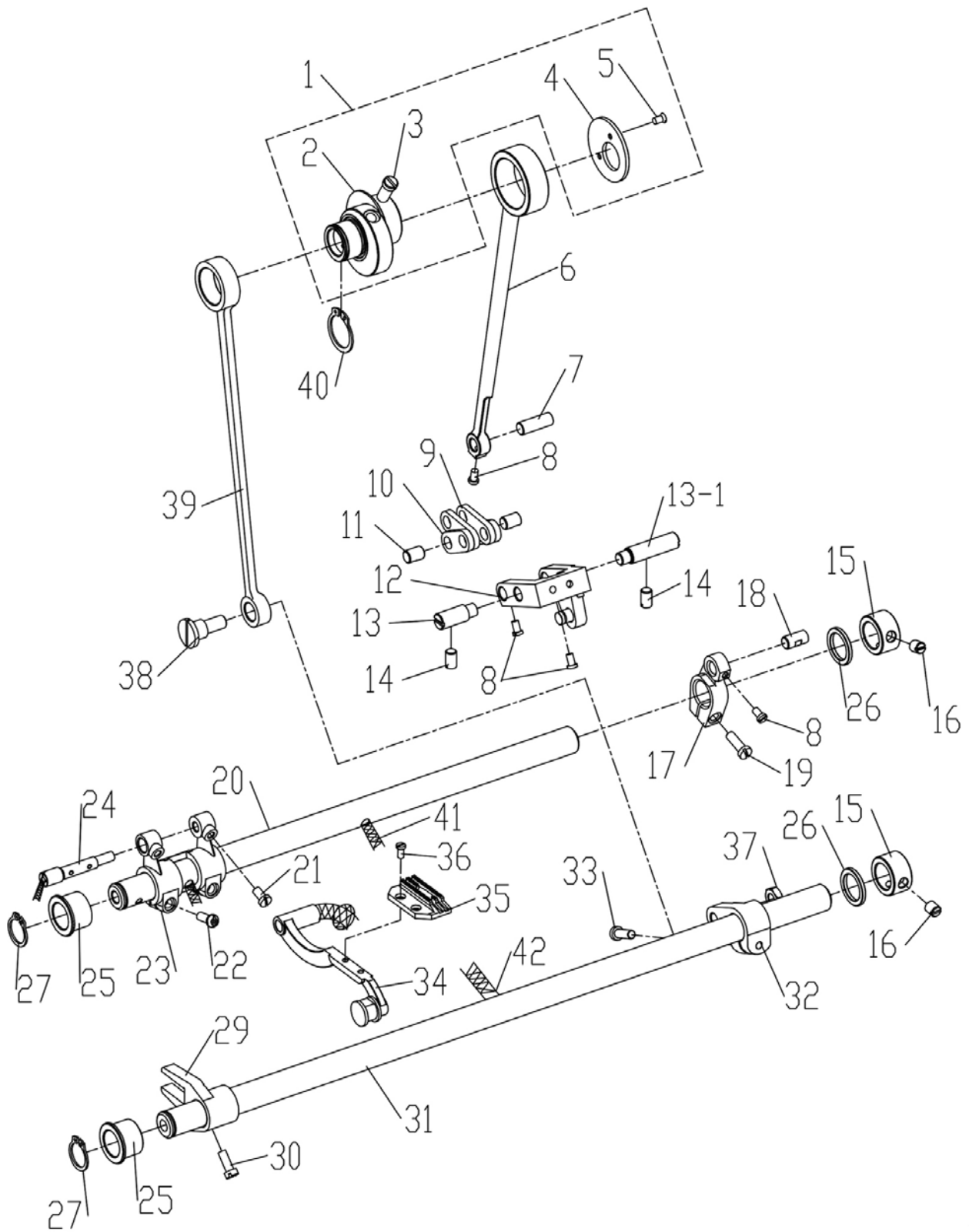
Ref.No	Part No	Description	QTY
1	JINPFQ541	PRESSER SPRING REGULATOR	1
2	JINPFQ542	NUT 1/2-28	1
3	JINPF555043	PRESSER GUIDE BAR	1
4	JINPF555044	PRESSER SPRING	1
5	JINPF555045	PRESSER GUIDE BAR	1
6	JINPF90000406	NEDDLE BAR GUIDE BRACKET	1
7	JINPF555047	SCREW 1/4-40 L=8	1
10	JINPF5550410	PRESSER BAR BUSHING LOWER	1
11	JINPF888056D411	PRESSER FOOT ASM.	1
	JINPF5550H411	PRESSER FOOT ASM.	1
12	JINPF5550412	SCREW 9/64-40 L=10.5	1
13	JINPFQ541301	HAND LOFTER	1
14	JINPF5550412	SCREW 9/64-40 L=10.5	1
15	JINPF90000415	HAND LOFTER CAM ASM.	1
16	JINPF5550416	RUBBER RING	1
17	JINPF90000417	LIFTING LEVER	1
18	JINPF9000041801	HAND LIFTER LINK ASM.	1
19	JINPF5550419	THREAD PIN	2
20	JINSCJ1008	SNAP RING	7
22	JINPF5550422	TENSION RELEASE PLATE	1
23	JINPF5550423	THREAD PIN	1
25	JINPF5550425	TENSION RELEASE RETURN	1
26	JINPF5550426	LIFTING LEVER CONNECTING ROD	1
28	JINPF5550428	LIFTING LEVER LINK	1
29	JINPF5550429	HINGE SCREW 15/64-28	1
30	JINPF5550430	HINGE SCREW 3/16-32	1
31	JINPF5550431	CONNECTING ROD VERRICAL	1
32	JINPF90000432	WIRE HOLDER BRACKET(UPPER)	1
33	JINPF90000438	WIRE HOLDER BRACKET(UPPER)	2
34	JINPF5550637	SCREW 11/64-40 L=8.5	1
35	JINPF5550725	SCREW 11/64-40 L=5	2
36	JINPF90000436	LOOSING LINE PLATE	1
37	JINPF68425E28	SCREW 9/64-40 L=7	2
40	JINPF9000044002	LOOSING LINE	1
41	JINPF9000044001	NUT 11/64-40	2
42	JINPF90000442	LOOSING LINE ASM.	1
43	JINPF90000443	SPRING	1
45	JINPF5550432	PRESSER BAR OIL SEAL	1
46	JINPF90000418	HAND LIFTER LINK ASM.	1
47	JINPF90000440	LOOSING LINE ASM.	1

## 5. HOOK OF DRIVING SHAFT COMPONENTS



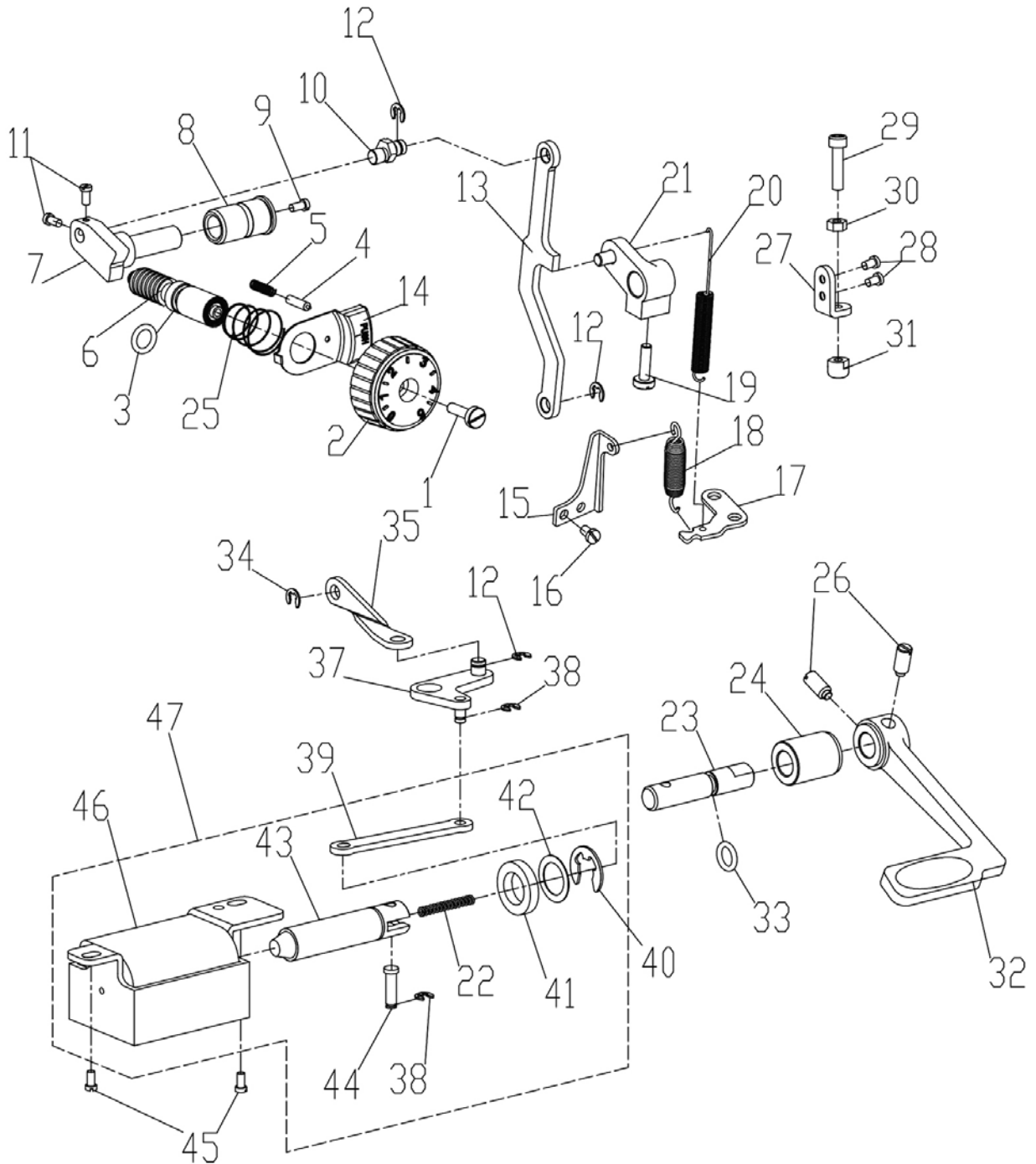
Ref.No	Part No	Description	QTY
1	JINPF888056D50109	HOOK ASM. (M)	1
	JINPF888056D50106	HOOK ASM. (H)	1
2	JINPF888056D5202	BOBBIN CASE ASM.	1
3	JINPF555053	BOBBIN	1
4	JINPF888056D5010801	SCREW	2
5	JINPF555055	POSTIONING FINGER	1
6	JINBF700S039	SCREW 11/64-40 L=9.5	1
7	JINPF90000507	HOOK DRIVING SHAFT	1
8	JINPF555058	OIL SEAL SCREW ASM.	1
9	JINPF55505901	OIL WICK	1
10	JINPF90000510	FRONT BUSHING	1
11	JINPF888056D5010802	SCREW	1
12	JINPF90000512	MID BUSHING	1
13	JINPF90000513	REAR BUSHING	1
14	JINPF555029	SCREW 3/16-28 L=15	1
15	JINPF6150404	SNAP RING	1
16	JINPF55506261	SCREW 15/64-28 L=4	2
17	JINPF555051805	BEVEL GEAR (SMALL)	1
18	JINPF55505180501	SCREW 1/4-40 L=8	8
19	JINPF555052005	BEVEL GEAR (LARGE)	1
20	JINPF90000520	LOWER BUSHING	1
21	JINPF90000521	UPPER BUSHING	1
22	JINPF9800TD410	SCREW 11/64-28 L=9	1
23	JINPF5550524	UPRING SHAFT	1
24	JINPF555052505	BEVEL GEAR (SMALL)	1
25	JINPF555052605	BEVEL GEAR (LARGE)	1
27	JINPF6150404	SNAP RING	1
28	JINPF5550330	SCREW 15/64-28 L=7	2
29	JINPF9990709	OIL SEAL RING	1

## 6. FEED MECHANISM COMPONENTS



Ref.No	Part No	Description	QTY
1	JINPF98000602H	FEED DRIVE ECCENTRIC CAM SAM(H)	1
	JINPF98000602	FEED DRIVE ECCENTRIC CAM SAM	1
2	JINPF555062	FEED DRIVE ECCENTRIC CAM	1
3	JINPF555063	SCREW 1/4-40 L=11	2
4	JINPF555064	THRUST COLLAR	1
5	JINPF555065	SCREW 9/64-40 L=5	2
6	JINPF555066	ROCKER SHAFT CONNECTING ROD	1
7	JINPF555067	WALKING FOOT PIN	1
8	JINPF555068	SCREW 9/64-40 L=6	4
9	JINPF555069	LONG WALKING FOOT LINK	2
10	JINPF5550610	SHORT WALKING FOOT LINK	2
11	JINPF5550611	WALKING FOOT PIN	2
12	JINPF888056D613	WALKING FOOT ADJUST LINK	1
13	JINPF5550614	ADJUSTING LINK FULCRUM SHAFT	1
13-1	JINPF555061601	ADJUSTING LINK FULCRUM SHAFT	1
14	JINPF6150326	SCREW 15/64-28 L=7	2
15	JINPF5550653	RETAINING RING	2
16	JINPF6150304	SCREW	4
17	JINPF5550618	FEED ROCKER SHAFT CRANK ASM.	1
18	JINPF5550619	WALKING FOOD PIN	1
19	JINPF5550621	SCREW 9/64-28 L=14	1
20	JINPF90000620	FEED ROCKER SHAFT	1
21	JINPF90000621	SCREW	2
22	JINPF5550633	SCREW	2
23	JINPF90000623	FEED CRACKET	1
24	JINPF90000624	FEED BAR SHAFT	1
25	JINPF90000625	FEED ROCKER SHAFT BUSHING	2
26	JINPF6150529	WASHER	2
27	JINSCJ1036	RETAINING RING	2
29	JINPF90000629	DRIVING SHAFT CRANK ASM.	1
30	JINPF6150607	SCREW 11/64-40 L=10.5	1
31	JINPF90000631	FEED DRIVING SHAFT	1
32	JINPF90000632	REAR CRACK ASM.	1
33	JINPF5550648	SCREW 3/16-28 L=12	1
34	JINPF90000634	FEED ROCKER BASE ASM.	1
35	JINPF55500634B	FEED DOG	1
	JINPF030341	FEED DOG	1
36	JINPF5550635	SCREW 1/8-44 L=6	2
37	JINPF5550651	NUT	1
38	JINPF5550650	SCREW	1
39	JINPF5550649	CONNECTING ROD	1
40	JINPF5550652	SNAP RING	1
41	JINPF5550627	OIL WICK	1
42	JINPF5550627	OIL WICK	1

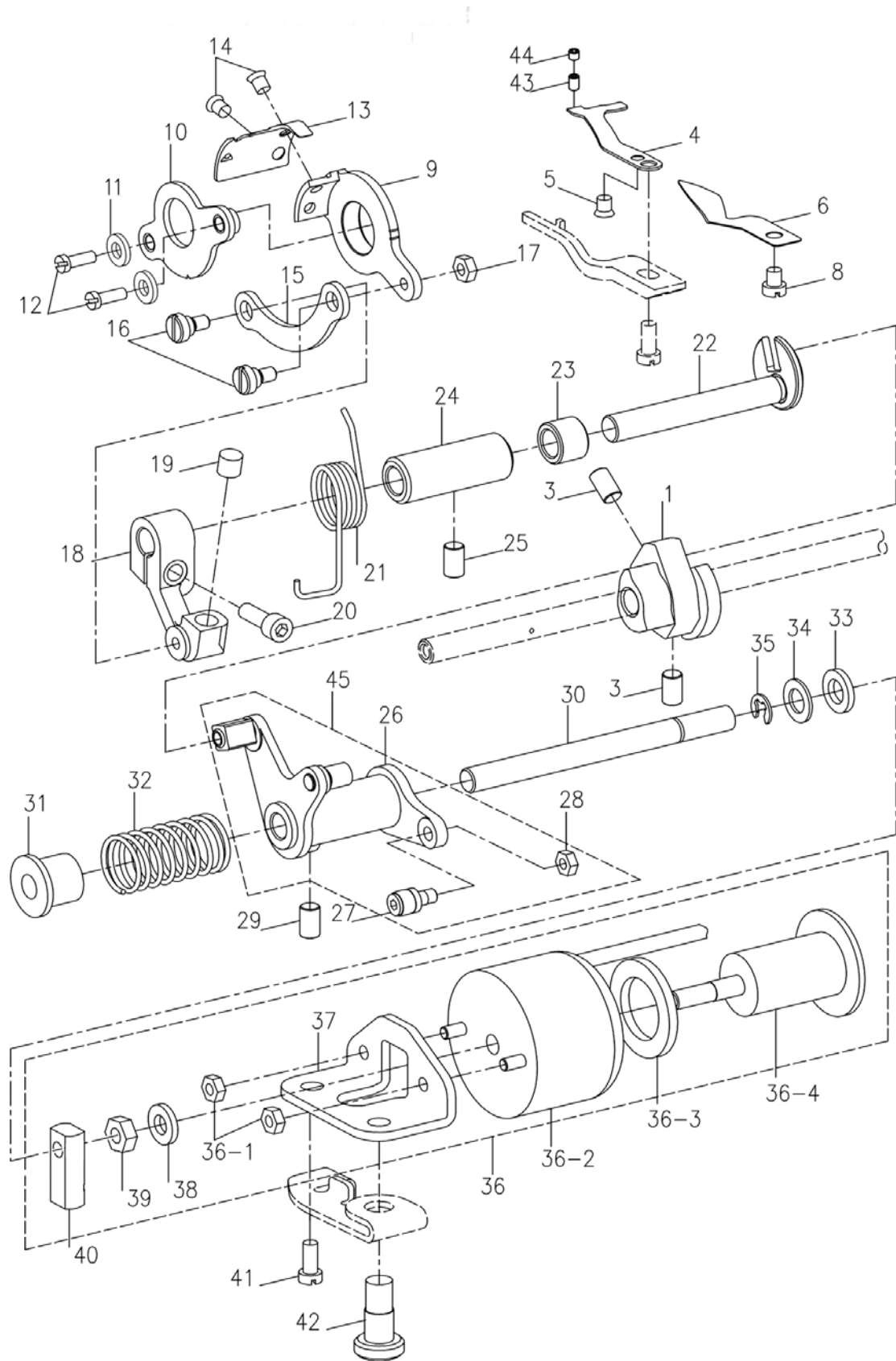
## 7. STEPPER FEED REGULATING COMPONENTS





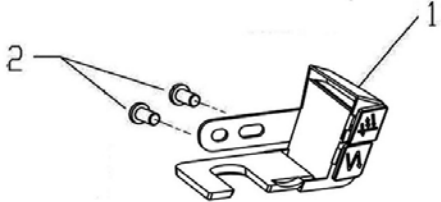
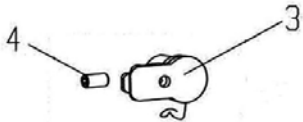
Ref.No	Part No	Description	QTY
1	JINPFQ571	SCREW	1
2	JINPFQ57201	FEED DIAL	1
3	JINPF555074	RUBBER RING	1
4	JINPF9800070401	PIN	1
5	JINPF555076	SPRING	1
6	JINPFS5T0706	FEED REGULATOR SCREW	1
7	JINPF90000707	FEED REGULATOR	1
8	JINPF90000708	FEED REGULATOR BUSHING	1
9	JINPF555079	SCREW	1
10	JINPF90000710	FEED REGULATOR PIN	1
11	JINPF68425B27	SCREW	2
12	JINSCJ1007	SNAP RING	3
13	JINPF90000713	FEED REGULATOR CONNECTING ROD	1
14	JINPF9800070201	NEEDLE GAUGE LOCK GUIDE	1
15	JINPF5550724	ADJUSTING LINK SPRING GUIDE	1
16	JINPF5550633	SCREW 11/64-40 L=7	2
17	JINPF98000717	FEED REVERSE HOOK	1
18	JINPF90010718	ADJUSTING LINK SPRING	1
19	JINPF5550721	FEED REVERSE ARM SCREW	1
20	JINPF5550722	FEED REVERSE SPRING	1
21	JINPF90000721	FEED REVERSE ARM ASM.	1
22	JINPFS5T074601	PLUNGER SPRING	1
23	JINPF90000723	FEED REVERSE SHAFT	1
24	JINPF5550716	FEED LEVER METAL	1
25	JINPF0302445	SPRING	1
26	JINPF5550330	SCREW	2
27	JINPF90000727	RULER RETAINING PLATE	1
28	JINPF5550633	SCREW	2
29	JINSCJ2017	SCREW	1
30	JINPF90000730	NUT	1
31	JINPF90000731	WASHER	1
32	JINPFQ5732	REVERSE FEED CONTROL LEVER	1
33	JINPF5550715	RUBBER RING	1
34	JINSCJ1006	SNAP RING	1
35	JINPF888056D740	AUTOMATIC FEEDING ROD	1
37	JINPF888056D737	CONNECTING ARM ASM.	1
38	JINSCJ1004	SNAP RING	2
39	JINPFS5T074602	IRON CORE ROD	1
40	JINPFS5T074603	SNAP RING	1
41	JINPFS5T074604	RUBBER WASHER	1
42	JINPFS5T074605	SNAP RING	1
43	JINPFS5T074606	IRON CORE	1
44	JINPFS5T074607	PLUNGER ARM PIN	1
45	JINPF888056D730	SCREW	2
46	JINPFS5T074608	REVERSE FEED MAGNET ASM	1
47	JINPFS5T0746	REVERSE FEED MAGNET ASM	1

## 8. THREAD TRIMMER COMPONENTS



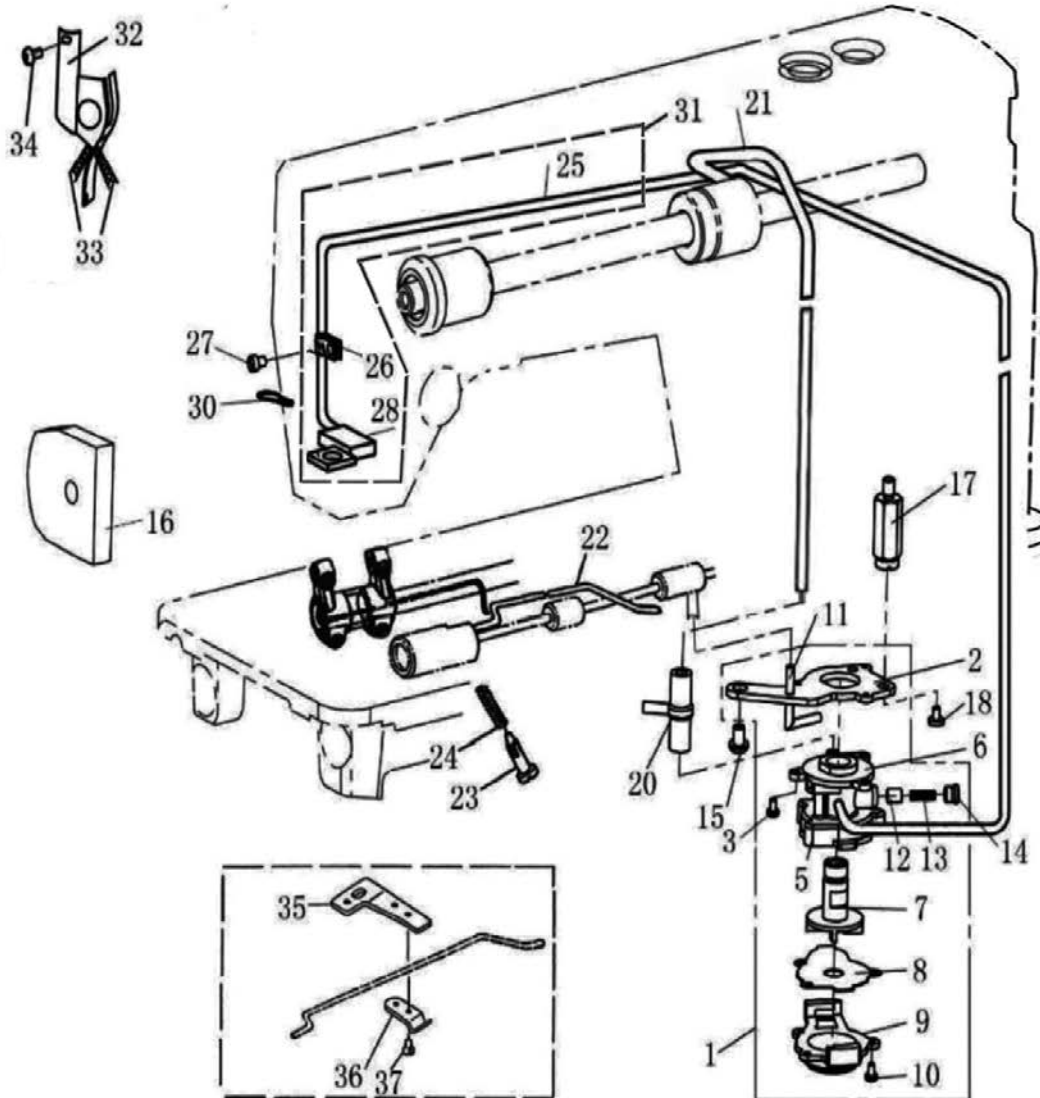
Ref.No	Part No	Description	QTY
1	JINPF90008101	THREAD TRIMMER CAM	1
3	JINPF90008103	SCREW 1/4-40 L=10	2
4	JINPF90008104	CONNTER KNIFE	1
5	JINPF68425H26	SCREW	1
6	JINPF90008106	DISPART THREAD SHUTTLE	1
8	JINPF6150211	SCREW	1
9	JINPF90008109	ROUND KNIFE BRACKET	1
10	JINPF90008110	KNIFE HOLDER ASM	1
11	JINPF5550630	WASHER	2
12	JINPF90008112	SCREW	2
13	JINPF9000811301	ROUND KNIFE	1
	JINPF90008113	ROUND KNIFE	1
14	JINPF90008114	SCREW	2
15	JINPF90008115	KNIFE SHAFT CRANK ROD	1
16	JINPF90008116	SCREW	2
17	JINPF90008117	NUT	1
18	JINPF90008118	TRIMMING CRANK	1
19	JINPF9000811801	BLOCK	1
20	JINPF9000812001	SCREW	1
21	JINPF90008121	REPLACE SPRING	1
22	JINPF90008122	TRIMMING CRANK SHAFT	1
23	JINPF90008123	SHORT BUSHING	1
24	JINPF90008124	BUSHING	1
25	JINPF55506461	SCREW	1
26	JINPF9000812603	TRIMMING CAM CRANK	1
27	JINPF9000812601	ROLLER BEARING SHAFT ASM.	1
28	JINPF9000812602	NUT 11/64-40	1
29	JINPF90008129	SCREW 1/4-40 L=6	1
30	JINPF90008130B	TRIMMING SHAFT	1
31	JINPF90008131	SPRING COVER	1
32	JINPF90008132	SPRING	1
33	JINPF90008133	WASHER	1
34	JINPF90008134	CLIP	1
35	JINSCJ1009	WASHER	1
36	JINPFS5T0836	THREAD TRIMMER SOLENOID ASM.	1
36-1	JINPF980280401	NUT (M4)	2
36-2	JINPF980280406	ELECTROMAGNET COIL ASSEMBLY	1
36-3	JINPF980280407	WASHER	1
36-4	JINPF980280408	IRON CORE	1
37	JINPF980280402	SOLENOID BASE	1
38	JINPF980280403	SOLENOID CONNECTING SHAFT	1
39	JINPF980280404	WASHER	1
40	JINPF980280405	SOLENOID CONNECTING SHAFT	1
41	JINPF90008141	SCREW 1/4-28	1
42	JINPF90008142	SCREW 1/4-28	1
43	JINPF900081412	SCREW 1/8-44X6	1
44	JINBF7005292	SCREW 1/8-44X3	1
45	JINPF90008126	TRIMMING CAM CRANK ASM.	1

9. ELECTRIC CLAMP COMPONENTS



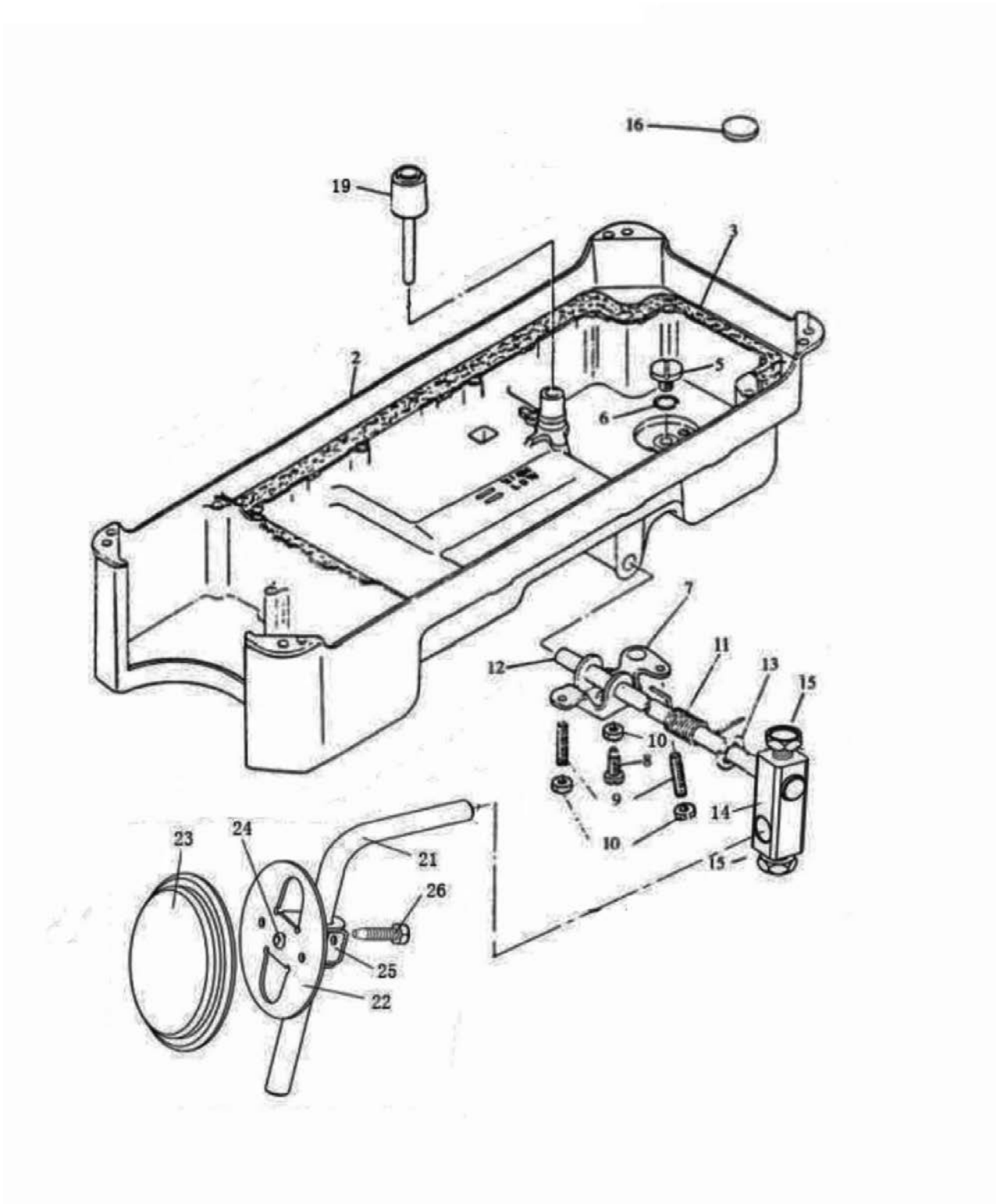
Ref.No	Part No	Description	QTY
1	JINPFS5T090202	REVEVSE SEWING SWITCH	1
2	JINPF555016	SCREW	2
3	JINPFS5T0905	ELECTRIC CLAMP	1
4	JINPF9800TD409	SCREW	1

## 10. LUBRICATION COMPONENTS



Ref.No	Part No	Description	QTY
1	JINPF555081	LUBRICATING OIL PUMP ASM.	1
2	JINPF55508101	OIL PUMP INSTALLING BASE	1
3	JINPF55508102	SCREW 15/64-28 L=9	3
5	JINPF55508103	OIL PUMP	1
6	JINPF55508104	OIL PUMP BUSHING	1
7	JINPF55508105	OIL PUMP IMPELLER	1
8	JINPF55508106	OIL PUMP IMPELLER COVER	1
9	JINPF55508107	LUBRICAING OIL PUMP COVER	1
10	JINPF55508108	SCREW	3
11	JINPF55508109	HOOK DRIVING SHAFT OIL TUBE	1
12	JINPF55508110	PLUNGER	1
13	JINPF55508111	PLUNGER SPRING	1
14	JINPF55508112	SCREW	1
15	JINPF2284014802	SCREW	1
16	JINPF90011038	SPONGE	1
17	JINPF888056D1017	OIL PUMP SUPPORT	1
18	JINPF555056	SCREW 11/64-40 L=9.5	1
20	JINPF5550817	RUBBER JOINT	1
21	JINPF90001021	MAIN SHAFT OIL TUBE	1
22	JINPF90001022	OIL TUBE	1
23	JINPF90001023	OIL ADJUSTING SCREW	1
24	JINPF90001024	SPRING	1
25	JINSCJ5030	OIL RETURN GUARD	1
26	JINPF5550827	OIL RETURN TUBE HOLDER	1
27	JINPF5550230	SCREW 1/8-28 L=6	1
28	JINPF5550830	OIL FELT	1
30	JINPF5550831	OIL FELT PRESSER	1
31	JINPF5550830YGZJ	OIL RETURN GUARD ASM.	1
32	JINPF5550832	OIL WICK SUPPORT	1
33	JINPF5550833	OIL WICK	1
34	JINPF5550834	SCREW	1
35	JINPF888056D442	WIRE HOLDER BARCKET (LOWER)	1
36	JINPF888056D437	WIRE HOLDER	1
37	JINPF5550725	SCREW 11/64-40 L=5	1

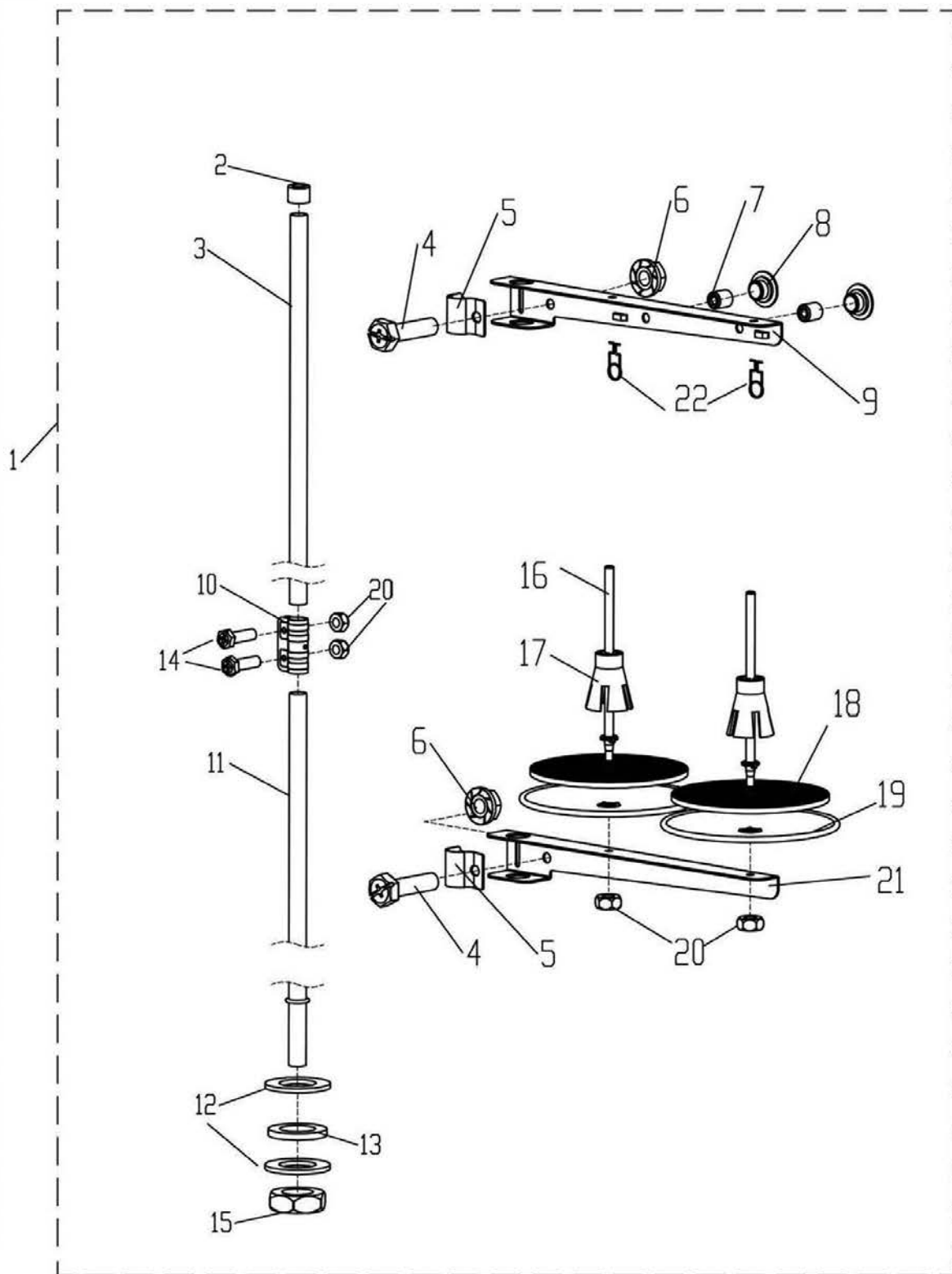
# 11. PRESSER FOOT COMPONENTS OF OIL PLATE KNEE LIFT





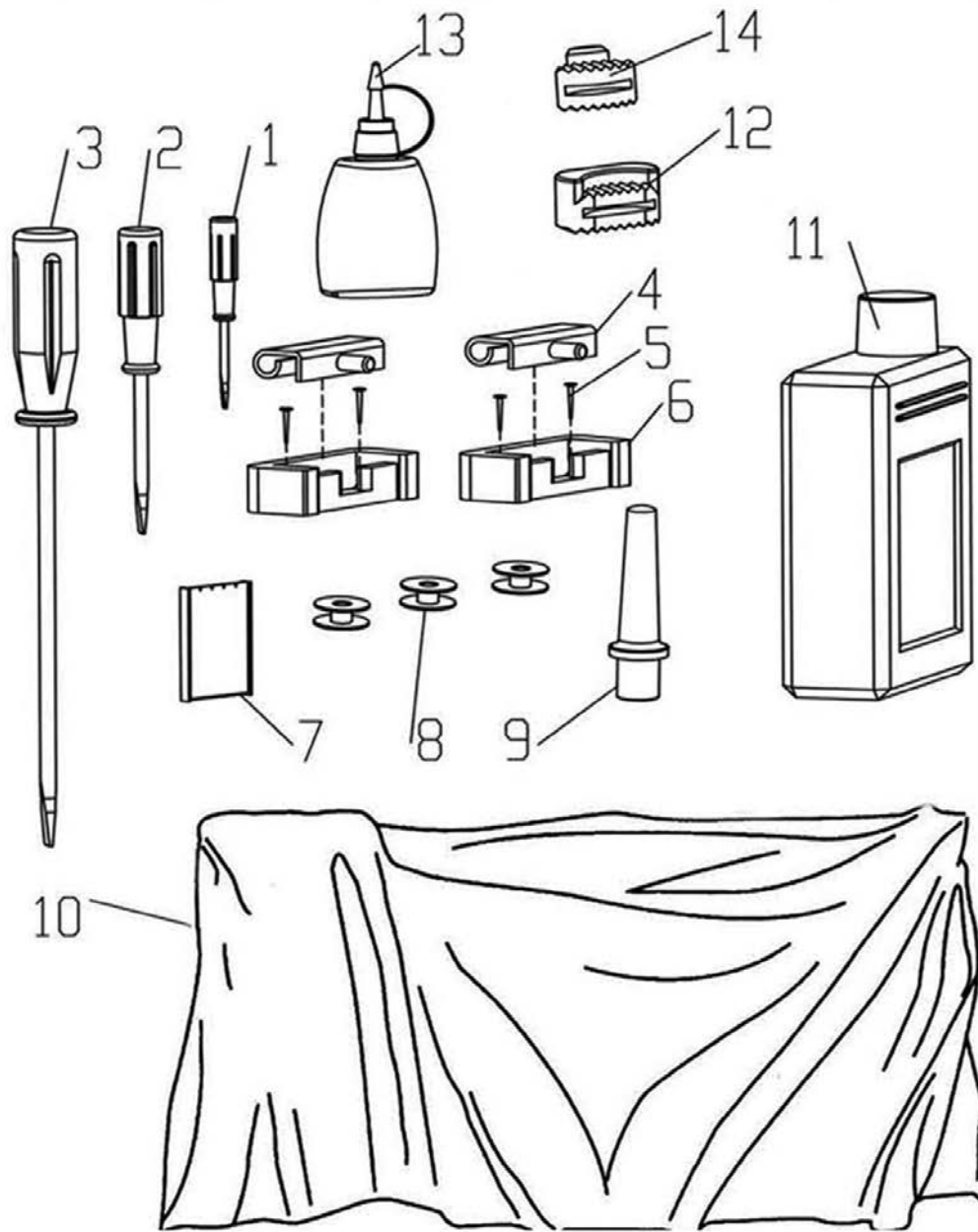
Ref. No	Part No	Description	QTY
2	JINPF555092	OIL PLATE	1
3	JINPF555093	OIL PLATE BED	1
5	JINPF555095	OIL EXPRACTION HOLE SCREW	1
6	JINPF555096	RUBBER RING	1
7	JINPF5550912	TWO-WAY CRANK	1
8	JINPF5550913	SCREW	1
9	JINPF5550914	BANKING SCREW OF TWO-WAY CRANK	2
10	JINPF5550915	BANKING NUT OF TWO-WAY CRANK	3
11	JINPF5550916	TWISTING SPRING	1
12	JINPF5550917	LIFTING PRESSOR FOOT SHAFT	1
13	JINSCJ1014	OPEN SHIELD RING	1
14	JINPF5550919	OPERATING BAR HEAD	1
15	JINPF5550930	OPERATING BAR HEAD SCREW	2
16	JINSCJ6012	OIL PLATE MAGNET	1
19	JINPF5550911	TOP PIN	1
21	JINPF5550922	OPERATING BAR	1
22	JINPF5550923	OPERATING PLATE	1
23	JINPF5550924	SOFT CUSHION OF OPERATING BAR	1
24	JINPF5550925	OPERATING BAR BED	1
25	JINPF5550926	OPERATING BAR TIP	1
26	JINPF5550927	TIP SCREW	1

## 12. COMPONENTS OF THREAD-RUNNING STAND



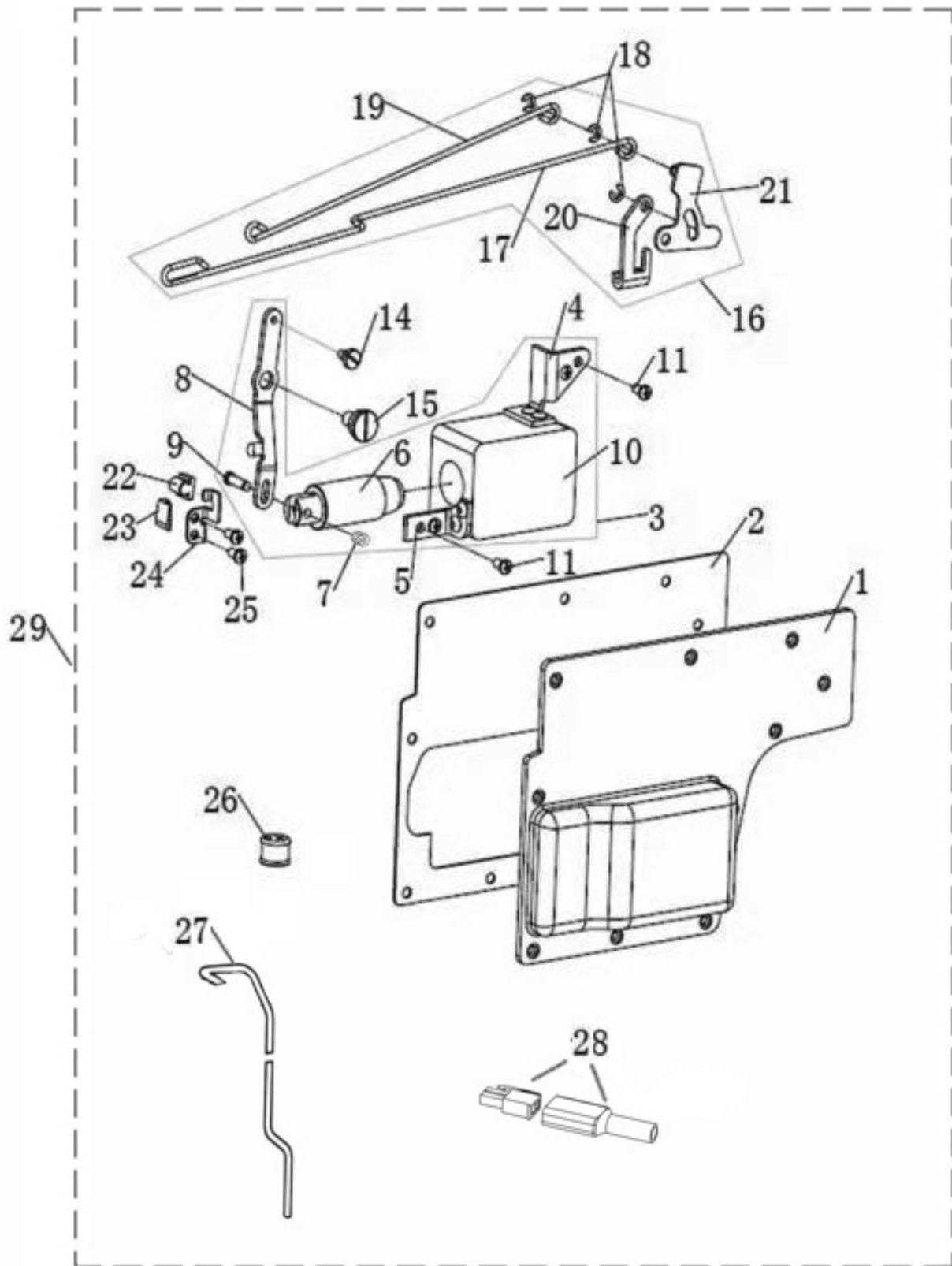
Ref.No	Part No	Description	QTY
1	JINPF5550112701	THREAD STAND AMS.	1
2	JINPF555011270101	COLUMN CAP	1
3	JINPF5550112702	COLUMN PIPE (UPPER)	1
4	JINPF5550112703	SCREW	2
5	JINPF5550112704	THREAD GUIDE ARM JOINT	2
6	JINPF5550112705	NUT	2
7	JINPF5550112706	THREAD GUIDE PIPE	2
8	JINPF5550112707	THREAD GUIDE BUSHING	2
9	JINPF5550112708	THREAD HANGER (2 SPOOLS TUPE)	1
10	JINPF5550112709	COLUMN PIPE CONNECTOR	1
11	JINPF5550112710	COLUMN PIPE (LOWER)	1
12	JINPF5550112711	WASHER	2
13	JINPF5550112712	WASHER	1
14	JINPF5550112713	SCREW	2
15	JINPF5550112714	NUT	1
16	JINPF5550112715	SPOOL PIN	2
17	JINPF5550112716	SPOOL CUSHION	2
18	JINPF5550112717	SOFT CUSHION OF THREAD PLARE	2
19	JINPF5550112718	THREAD PLATE	2
20	JINPF5550112719	NUT	4
21	JINPF5550112720	THREAD HANGE (LOWER)	1
22	JINPF5550112721	THREAD GUIDE RING	2

### 13. AUXILIARIES



Ref.No	Part No	Description	QTY
1	JINPF55501018	SCREW DRIVER (SMALL)	1
2	JINPF55501017	SCREW DRIVER (MIDDLE)	1
3	JINPF55501016	SCREW DRIVER (LARGE)	1
4	JINPF5550101	HINGE COMPL	2
5	JINSCJ6018	RUBBER CUSHION NAIL	6
6	JINPF5550102	RUBBER CUSHION	2
7	JINPFDTDB114	NEEDLE	1
8	JINPF0302319	BOBBIN	3
9	JINPF55501021	FRAME SUPPORT BAR	1
10	JINPF0303104004	FRAMEVINYL COVER	1
11	JINPF55501022	OIL BOTTLE WITH OIL	1
12	JINPF555099	NOSE SUPPORT	2
13	JINPF61501105	OILER ASM.	1
14	JINPF555098	DIE CUSHION	2

# 14. AUTOMATIC PRESSER FOOT LIFTER COMPONENTS



Ref.No	Part No	Description	QTY
1	JINPFS5T1401	FACE PLATE	1
2	JINPFS5T1402	FACE PLATE GASKET	1
3	JINPFS5T1403	PRESSER FOOT SOLENOID ASM.	1
4	JINPFQ514301	RIGHT STAND	1
5	JINPFQ514302	LEFT STAND	1
6	JINPFQ514303	SOLENOID CORE	1
7	JINPFQ514304	NUT	2
8	JINPFQ514305	CRANK ROD	1
9	JINPFQ514306	IRON-CORE CONNECTING PIN	1
10	JINPFQ514307	PRESSER FOOT SOLENOID	1
11	JINPF5550161	SCREW 3/16-28 L=12	4
14	JINPF7810616	SCREW	1
15	JINPFQ51415	SCREW	1
16	JINPFQ51416	HAND LIFTER LINK ASM.	1
17	JINPFQ5141601	CONNECTING ROD (LONG)	1
18	JINSCJ1008	SNAP RING	3
19	JINPF5550426	LIFTING LEVER CONNECTING ROD	1
20	JINPF9000041801	LIFTING LEVER	1
21	JINPF90000417	HAND LIFTER LINK	1
22	JINPFQ51422	RUBBER PLUG	1
23	JINPFS5T1423	PROTECTIVE PAD	1
24	JINPFS5T1424	BUMPER PLATE	1
25	JINPF5550230	SCREW	2
26	JINPF9800TD406	WIRE CROSSING SLEEVE (THREE HOLES)	1
27	JINPF9800TD408	MAIN SHAFT OIL TUBE	1
28	JINPFS5T0144P11	2P INTERFACE+SHEATH	1
29	JINPFNA10UT1403ZJ	PART NUMBER OF THE WHOLE SET OF PRESS FOOT COMPONENTS	1

**Company Name:** JUKI SINGAPORE PTE LTD.

**ADD:** 20 BENDEMEER ROAD, #04-12 BS BENDEMEER CENTRE SINGAPORE 339914

**Tel:** (65)6553-4388

**HP:** <http://www.juki.com.sg/>

**E-mail:** [we.sgp-sales@ml.juki.com](mailto:we.sgp-sales@ml.juki.com)

**Company Name:** Juki Machinery Vietnam Company Ltd.

**ADD:** 153 HOA LAN STR., WARD 2, PHU NHUAN DIST., HO CHI MINH CITY, VIETNAM

**Tel:** (84)28-35178833

**FAX:** (84)28-35178318

**E-mail:** [sales@jukinv.com](mailto:sales@jukinv.com)

**Company Name:** Juki Machinery Bangladesh Ltd

**ADD:** NATORE TOWER (5TH FLOOR) PLOT#32-D & 32-E, ROAD#02, SECTOR#03,

UTTARA MODEL TOWN, DHAKA, BANGLADESH

**Tel:** (880)2-48954731

**FAX:** (880)2-48954733

**E-mail:** [vl.jmbl-info@ml.juki.com](mailto:vl.jmbl-info@ml.juki.com)

**Company Name:** Juki India Private Limited

**ADD:** GROUND AND 1ST FLOOR, NO.1090/I, 18TH CROSS ROAD, 3RD SECTOR,

HSR LAYOUT BANGALORE-560 102, KARNATAKA STATE, INDIA

**Tel:** (91)80-4251-1900

**FAX:** (91)80-4251-1999

**HP:** <http://jukiindia.com/>

**E-mail:** [jukibl@jukiindia.com](mailto:jukibl@jukiindia.com)

**Company Name:** JUKI CENTRAL EUROPE

**ADD:** UL. POLECZKI 21 (PLATAN PARK C) 02-822 WARSAW, POLAND

**Tel:** (48)22-545-0400

**FAX:** (48) 22-5450411

**HP:** <http://jukieurope.com/>

**Company Name:** JUKI America INC

**ADD:** 8500 NW 17TH STREET, SUITE 100, DORAL, FL 33126-1035, U.S.A.

**Tel:** (1)305-594-0059

**HP:** <https://juki.com/>