

PARTS LIST

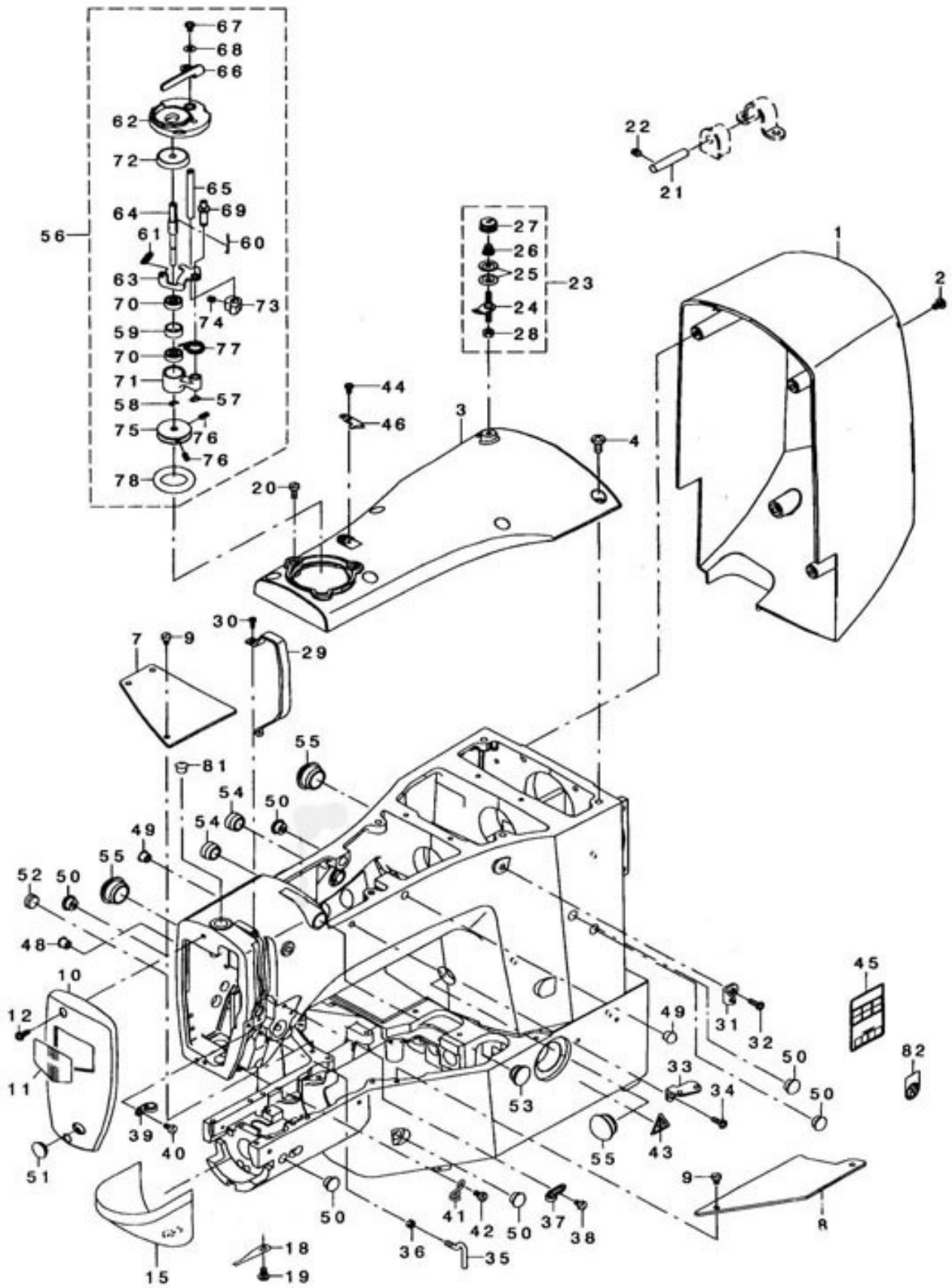
K-1E

PARTS LIST

INDEX

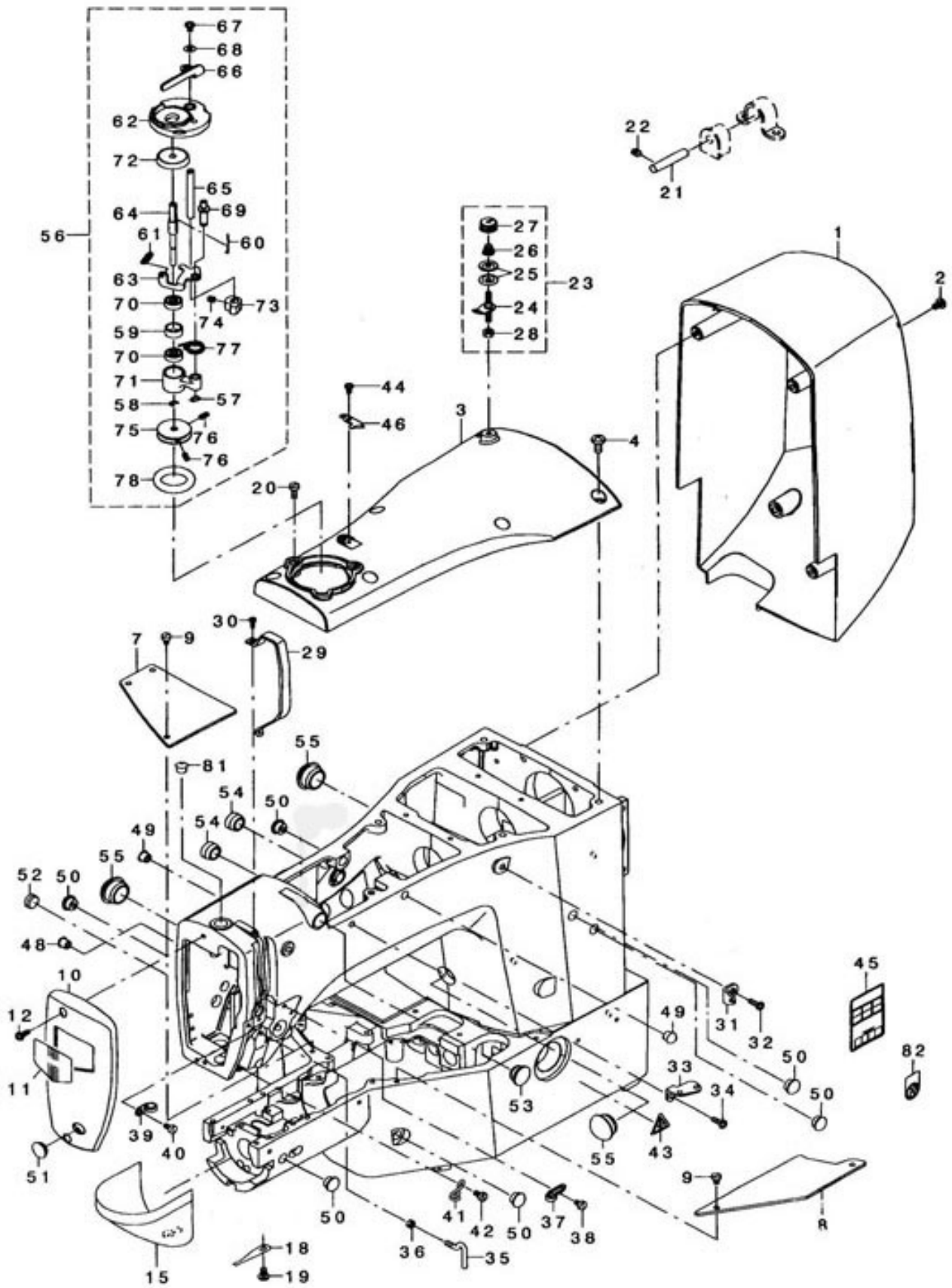
1. FRAME & MISCELLANEOUS COVER COMPONENTS (1).....	1
1. FRAME & MISCELLANEOUS COVER COMPONENTS (2).....	3
2. MAIN SHAFT & NEEDLE BAR COMPONENTS (1).....	5
2. MAIN SHAFT & NEEDLE BAR COMPONENTS (2).....	7
3. PRESSER LIFTER & WIPER COMPONENTS	9
4. SHUTTLE DRIVER SHAFT COMPONENTS	11
5. THREAD TENSION COMPONENTS	13
6. THREAD TRIMMER MECHANISM COMPONENTS	15
7. FEED MECHANISM COMPONENTS (1)	17
7. FEED MECHANISM COMPONENTS (2)	19
10. THREAD STAND COMPONENTS	21
11. TABLE STAND COMPONENTS	23
12. CONTROL BOX COMPONENTS.....	25
15. ACCESSORIE PATS COMPONENTS	27
20. EXCLUSIVE PARTS FOR 1903 (1).....	29
21. EXCLUSIVE PARTS FOR 1903 (2).....	31
22. ACCESSORIES PARTS FOR 1903	33
23. OPTION COMPONENTS.....	35
29. CRANK ROD PART.....	37
30. EXCLUSIVE PARTS FOR B Type	39

1. FRAME & MISCELLANEOUS COVER COMPONENTS (1)



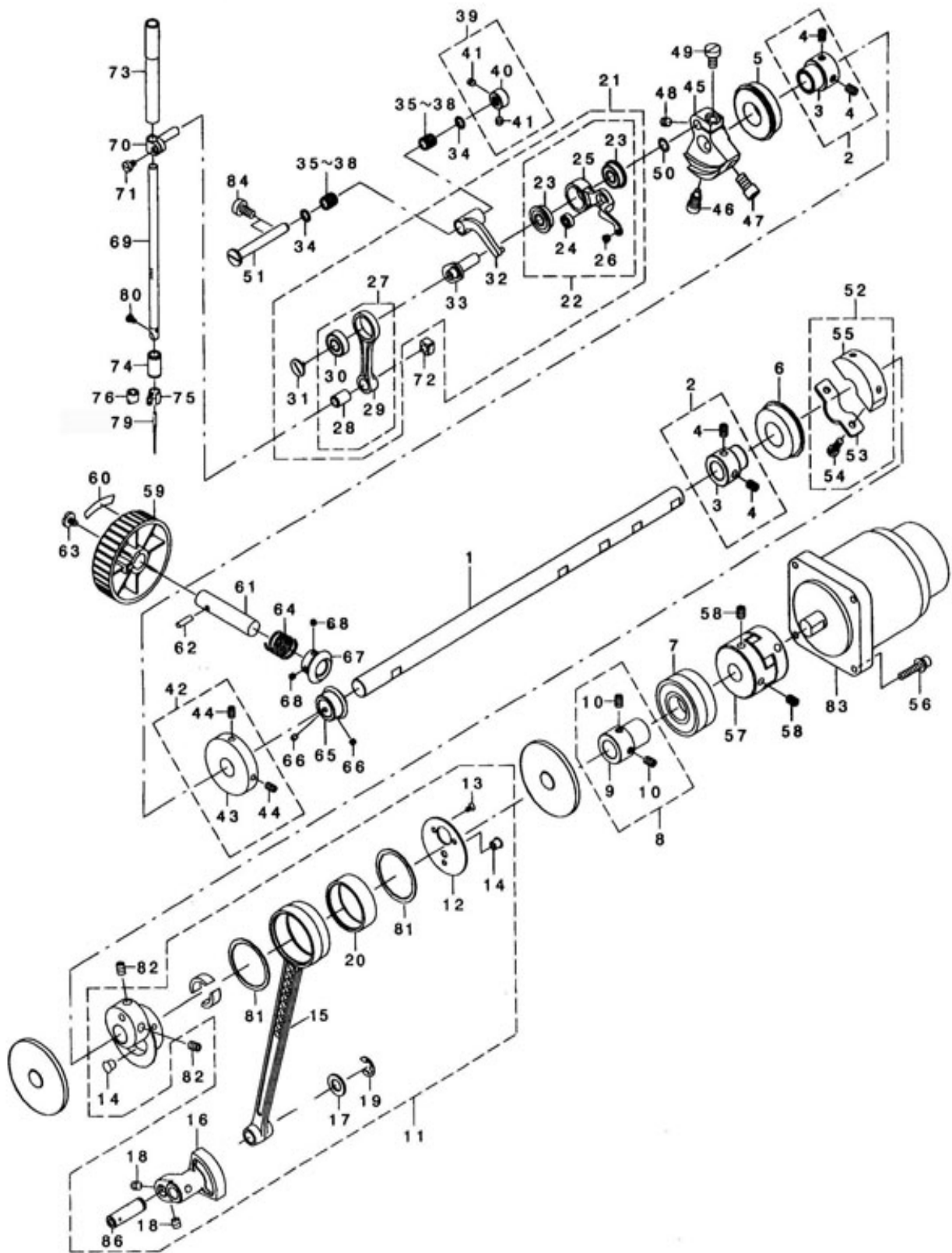
NO	CODE	NAME	QTY
1	JINPF1900A010102	MOTOR COVER	1
2	JINPF1900A0102	SCREW M4 L=8	4
3	JINPF1900A0103	UPSIDE COVER	1
4	JINPF1900A0104	SCREW M6 L=12	5
7	JINPF1900A0107	BED COVER LEFT	1
8	JINPF1900A0108	BED COVER RIGHT	1
9	JINPF1900A0643	SCREW M4	5
10	JINPF1900A0110	FACE COVER	1
11	JINBZ3095	FACE PLATE	1
12	JINPF1900A0112	SCREW M4 L=10	2
15	JINPF1900040301	CYLINDER ARM CAP	1
18	JINPF19000406	PRESSER SPRING B	2
19	JINPF1900A0102	SCREW M4 L=8	1
20	JINPF1900A0120	SCREW M4 L=11	3
21	JINPF1900A0121	HINGE STUD	2
22	JINPF1900A0744	SCREW M6 L=6	4
23	JINPF19000130	BOBBIN THREAD TENSION ASM	1
24	JINPF1900A0124	BOBBIN THREAD TENSION ROD ASM	(1)
25	JINPF1900A0125	THREAD TENSION DISK	(2)
26	JINPF1900A0126	CONNECTING ROD SPRING	(1)
27	JINPF1900A0127	THREAD TENSION NUT	(1)
28	JINPF1900A0128	NUT SM11/64-40	(1)
29	JINPF1900A0129	BALANCE COVER	1
30	JINPF1900A0130	SCREW M3 L=7.5	2
31	JINPF1900A0131	THREAD GUIDE NO.1	1
32	JINPF1900A0104	SCREW M6 L=12	1
33	JINPF1900A0133	THREAD GUIDE PLATE	1
34	JINPF1900A0104	SCREW M6 L=12	1
35	JINPF1900A0135	L SHAPED THREAD GUIDE A	1
36	JINPF1900A0136	NUT M4	1
37	JINPF1900A0137	ARM THREAD GUIDE A	1
38	JINPF1900A0109	SCREW M4 L=6	1
39	JINPF1900A0139	FRAME THREAD GUIDE (B)	1
40	JINPF1900A0109	SCREW M4 L=6	1
41	JINPF19000126	FRAME THREAD GUIDE (B)	1
42	JINPF1900A0109	SCREW M4 L=8	1
43	JINPF1900A0143	CAUTION LABEL	1
44	JINPF1900A0144	SCREW M3 L=6	1
45	JINPF1900A014501	OIL LABEL	1
46	JINPF90000132	THREAD CUTTER	1
48	JINPF1900A0148	RUBBER PLUG	1
49	JINPF5550113	RUBBER PLUG	2
50	JINPF1900A0150	RUBBER PLUG	4
51	JINPF1900A0151	RUBBER PLUG	1
52	JINPF1900A0152	RUBBER PLUG	1
53	JINPF1900A0153	RUBBER PLUG	1
54	JINPF1900A0154	RUBBER PLUG	3

1. FRAME & MISCELLANEOUS COVER COMPONENTS (2)



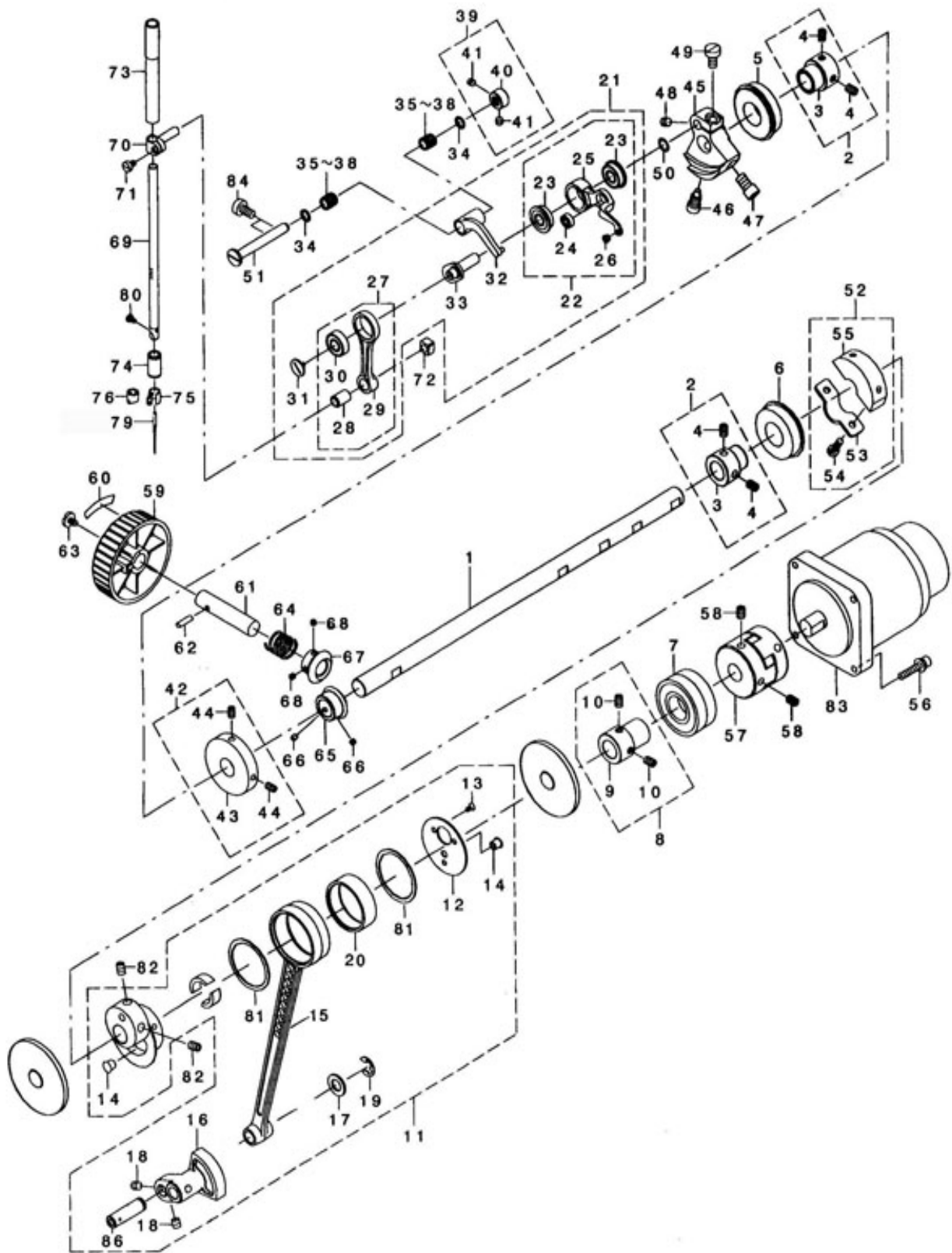
NO	CODE	NAME	QTY
55	JINPF1900A0155	RUBBER PLUG	2
56	JINPF1900A0156	BOBBIN WINDER UNIT	1
57	JINPF1900A0157	RETAINING RING	(1)
58	JINPF1900A0158	E-RING 4	(1)
59	JINPF1900A0159	BTW BEARING SPACER	(1)
60	JINPF1900A0160	BOBBIN SPRING	(1)
61	JINPF1900A0161	SPRING	(1)
62	JINPF1900A0162	BTW BASE	(1)
63	JINPF1900A0163	BTW CAM PLATE	(1)
64	JINPF1900A0164	BTW SHAFT	(1)
65	JINPF1900A0165	BTW LEVER SHAFT	(1)
66	JINPF1900A0166	BTW LEVER	(1)
67	JINPF1900A0167	SCREW	(1)
68	JINPF1900A0168	WASHER 4.5 × 10 × 0.8	(1)
69	JINPF1900A0169	BTW BASE SHAFT	(1)
70	JINPF1900A0170	BTW BEARING	(2)
71	JINPF1900A0171	BTW SHAFT BASE	(1)
72	JINPF1900A0172	BTW SPACER	(1)
73	JINPF1900A0173	BTW CAM LEVER	(1)
74	JINPF1900A0174	SCREW M5 L=5	(1)
75	JINPF1900A0175	BTW WHEEL	(1)
76	JINPF1900A0176	SCREW M4 L=8	(2)
77	JINPF1900A0177	SPRING	(1)
78	JINPF1900A0178	BTW WHEEL RUBBER	(1)
81	JINPF555037	RUBBER PLUG	1
82	JINBZ3189	OIL INJECTION PROHIBITION LABEL	1
83	JINBZ3510	ADD GEAR OIL LABE	1

2. MAIN SHAFT & NEEDLE BAR COMPONENTS (1)



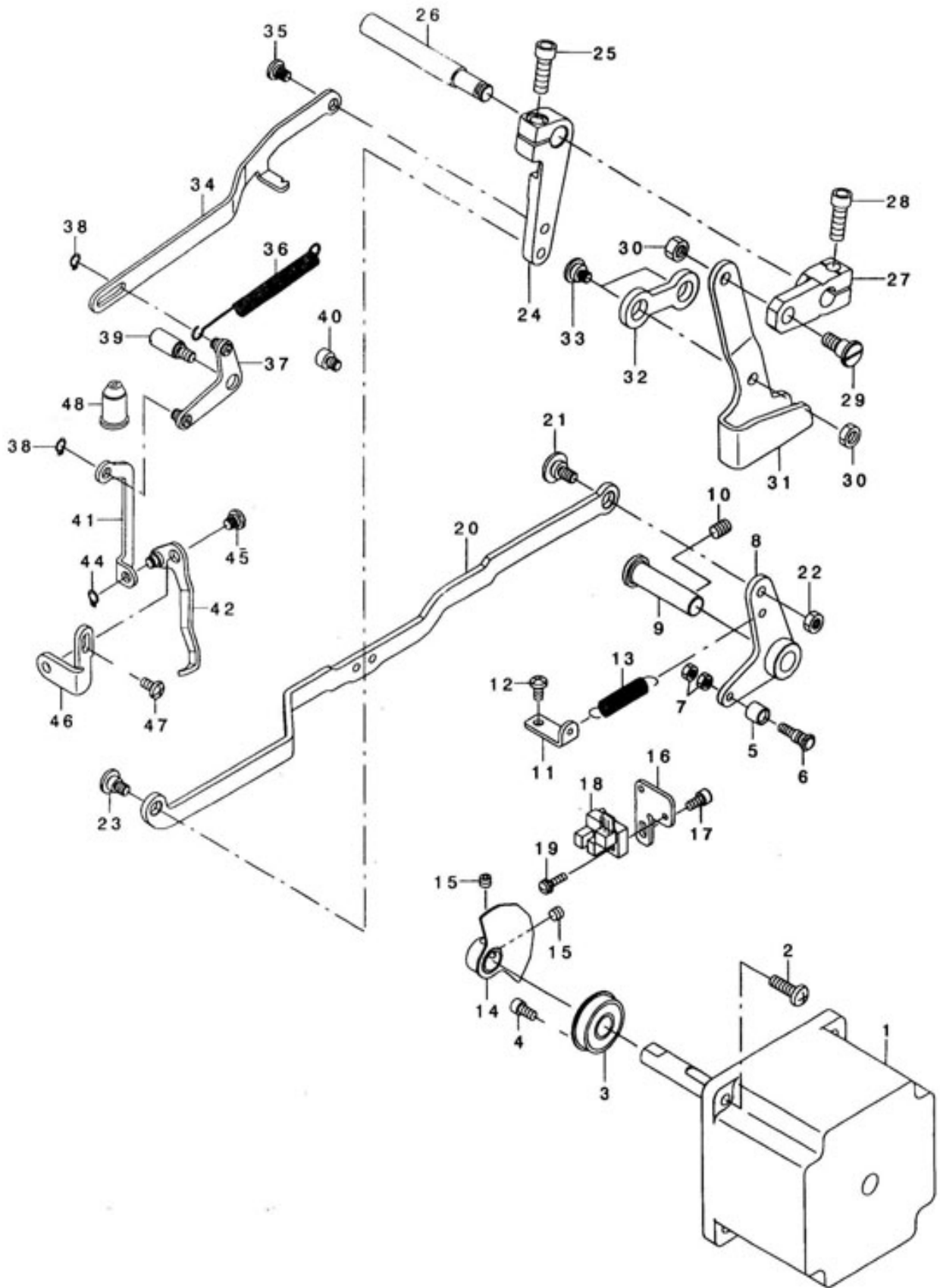
NO	CODE	NAME	QTY
1	JINPF1900A020101	MAIN SHAFT	1
2	JINPF1900A0202	BEARING BUSH A ASM	2
3	-	BEARING BUSH A	(2)
4	JINPF1900A0204	SCREW M6 L=8	(4)
5	JINPF1900A0205A	BEARING	1
6	JINPF1900A0206	BEARING	1
7	JINPF1900A0207	BEARING	1
8	JINPF1900A0208	BEARING BUSH B ASM	1
9	-	BEARING BUSH B	(1)
10	JINPF1900A0204	SCREW M6 L=8	(2)
11	JINPF1900A2910	CRANK ROD ALL ASM	1
12	JINPF1900A0212	CRANK ROD SUPPORT PLATE	(1)
13	JINPF1900A0213	SCREW M3 L=6	(3)
14	JINPF1900A0214	PLUG D=6.7 L=6	(2)
15	JINPF1900A0215	CRANK ROD	(1)
16	JINPF1900A0216	OSCILLATOR	(1)
17	JINPF1900A0217	WASHER	(1)
18	JINPF1900A0218	SCREW M6*0.75 L=6	(2)
19	JINSCJ1013	E-RING(8MM)	1
20	JINPF1900A0220	NEEDLE BEARING	(1)
21	JINPF1900A0221	THREAD TAKE UP COMPL	1
22	JINPF1900A0222	THREAD TAKE UP LEVER ASM	(1)
23	JINPF1900A0223	BEARING	(2)
24	JINPF1900A0224	BEARING	(1)
25	JINPF1900A0225	THREAD	(1)
26	JINPF1900A0226	THREAD PASS BUSH	(1)
27	JINPF1900A0227	NEEDLE BAR CRANX ROD ASM	(1)
28	JINPF1900A0228	NEEDLE BAR CRANX ROD METAL	(1)
29	JINPF1900A0229	NEEDLE BAR CRANK ROD	(1)
30	JINPF1900A0230	BEARING	(1)
31	JINPF1900A0231	LEFT SCREW	(1)
32	JINPF1900A0232	THREAD TAKE UP CRANK	(1)
33	JINPF1900A0233	NEEDLE ROD CRANK	(1)
34	JINPF1900A0234	BEARING SUPPORT	2
35	JINPF1900A0235	BEARING	2
36	JINPF1900A0236	BEARING	2
37	JINPF1900A0237	BEARING	2
38	JINPF1900A0238	BEARING	2
39	JINPF1900A0239	THRUST COLLAR ASM	1
40	JINPF1900A0240	THRUST COLLRA	(1)
41	JINPF1900A0241	SCREW	(2)
42	JINPF1900A0242	BTW DRIVING WHEEL ASM	1
43	JINPF1900A0243	BTW DRIVING WHEEL	(1)
44	JINPF68425H33	SCREW	(2)
45	JINPF1900A0245	COUNTER WEIGHT	1
46	JINPF1900A0246	COUNTER WEIGHT SCREW A	1
47	JINPF1900A0247	SCREW M8 L=12	1

2. MAIN SHAFT & NEEDLE BAR COMPONENTS (2)



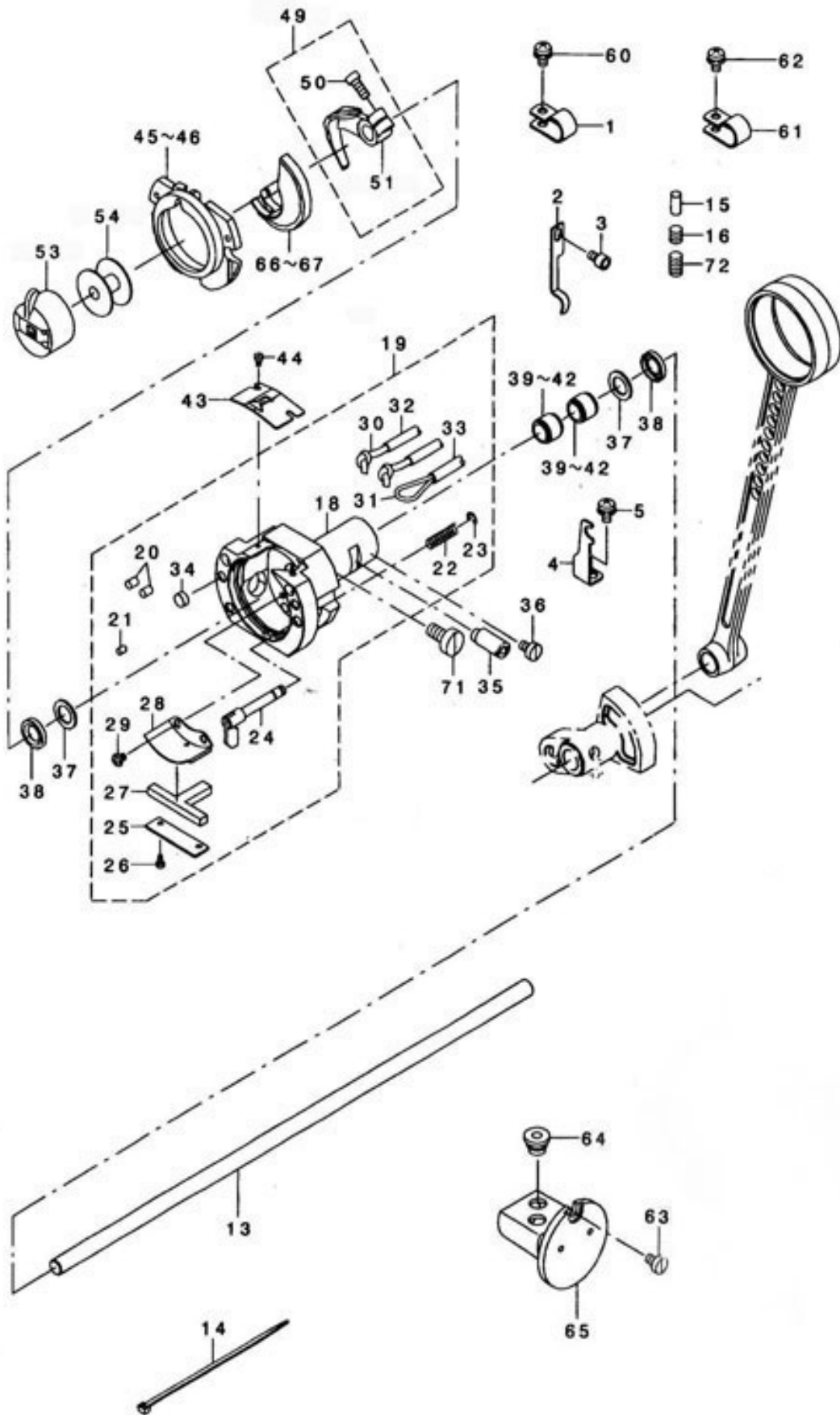
NO	CODE	NAME	QTY
48	JINPF1900A0218	SCREW M6 × 0.75 L=6	1
49	JINPF1900A0249	SCREW	1
50	JINPF1900A0250	WASHER 11.6 × 8.2 × 0.6	1
51	JINPF1900A0251	THREAD TAKE UP CRANK SHAFT	1
52	JINPF1900A0252	CRANK BALANCER ASM	1
53	JINPF1900A0253	CRANK BALANCER FIX PLATE	(1)
54	JINPF1900A0254	SCREW M5 L=4	(2)
55	JINPF1900A2909	CRANK BALANCER	(1)
56	JINPF1900A0256	SCREW M5	4
57	JINPF1900A0257	COUPLING	1
58	JINPF1900A0204	SCREW M6 L=8	4
59	JINPF1900A0259	PULLEY	1
60	JINPF1900A0260	REVOLVING DIRECTION LABEEL	1
61	JINPF1900A0261	HAND PULLEY	1
62	JINSCJ4024	SPRING PIN 4 × 12	1
63	JINPF1900A0263	SCREW M6 L=8	1
64	JINPF19000250	SPRING	1
65	JINPF1900A0265	GEAR A	1
66	JINPF1900A0266	SCREW M4 L=3	2
67	JINPF1900A0267	GEAR B	1
68	JINPF1900A0266	SCREW M4 L=3	2
69	JINPF1900A0269	NEEDLE BAR	1
70	JINPF1900A0270	NEEDLE BAR CLAMP	1
71	JINPF555049	SCREW SM9/64-40 L=6	1
72	JINPF19000216	SLIDE BLOCK	1
73	JINPF1900A0273	NEEDLE ROD METAL	1
74	JINPF1900A0274	NEEDLE ROD LOWER METAL	1
75	JINPF1900A0275	THREAD GUIDE	1
76	JINPF1900A0276	NEEDLE BAR THEAD GUIDE	1
79-1	JINPFDTDPD516	NEEDLE DP × 5 #16	1
79-2	JINPFDTDPD521	NEEDLE DP × 5 #21	1
79-3	JINPFDTDPD511	NEEDLE DP × 5 #11	1
79-4	JINPFDTDPD1714	NEEDLE DP × 17 #14	1
79-5	JINPFDTDPD1716	NEEDLE DP × 17 #16	1
80	JINPF5550312	SCREW M3 L=4.5	1
81	JINPF1900A0281	WASHER	2
82	JINPF1900A0204	SCREW M6 L=8	2
83	JINPF1900A0283	AC SERVO MOTOR	1
84	JINPF1900A0204	SCREW M6	2
86	JINPF1900A0286	PIN	1

3. PRESSER LIFTER & WIPER COMPONENTS



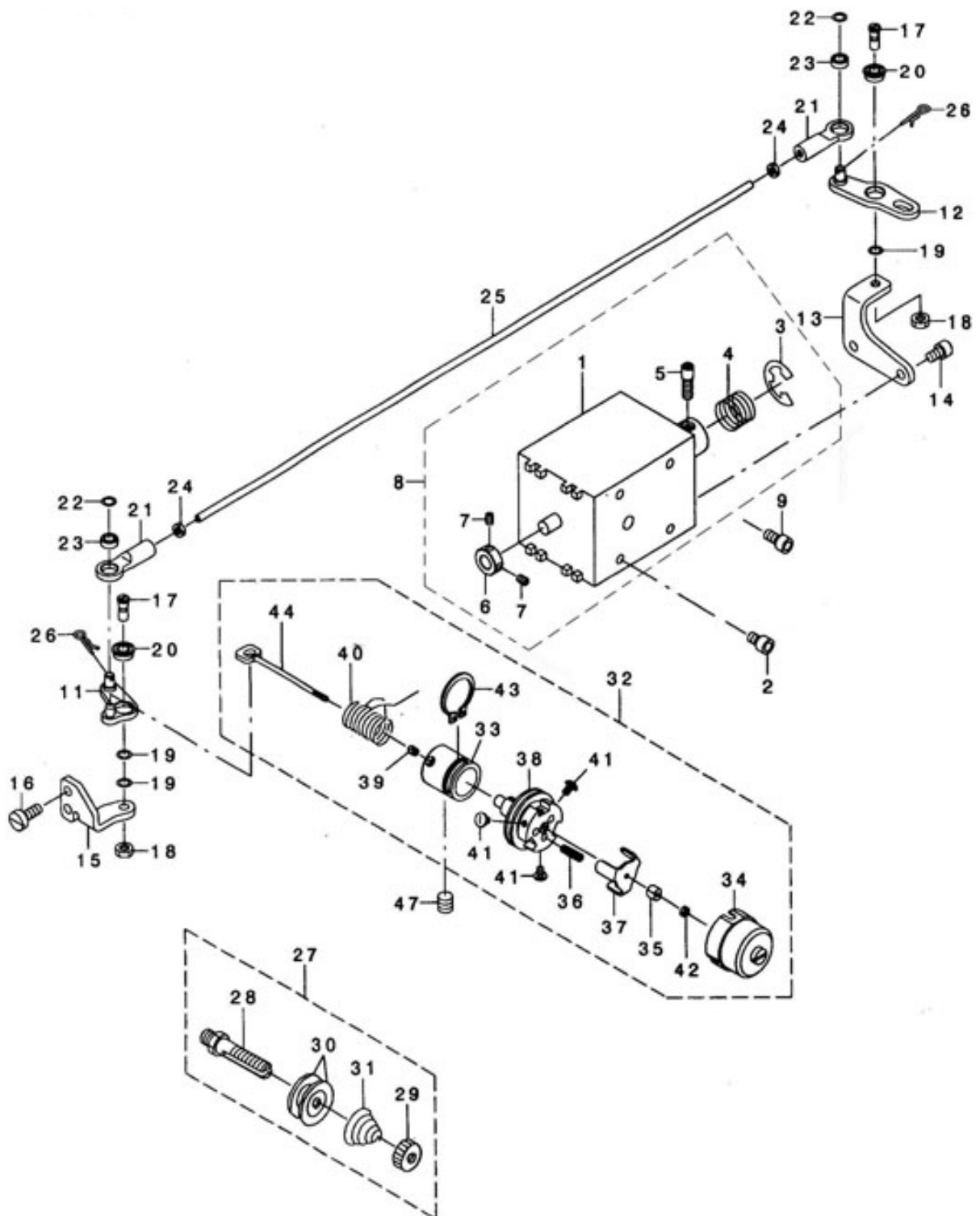
NO	CODE	NAME	QTY
1	JINPF1900A0301	PRESSER LIFTING MOTOR	1
2	JINPF1900A0302	SCREW M5 L=16	4
3	JINPF1900A0409	BEARING	1
4	JINPF1900A0109	SCREW M4 L=6	1
5	JINPF1900A0644	NEEDLE CAM ROLLER A	1
6	JINPF1900A0306	HINGE SCREW	1
7	JINPF1900A0307	NUT M4 × 0.7	2
8	JINPF1900A0308	LIFTEN LINK A ASM	1
9	JINPF1900A0309	THREAD TRIMMER SHAFT	1
10	JINPF1900A0704	SCREW M6 L=8	1
11	JINPF1900A0311	SPRING RACK	1
12	JINPF1900A0102	SCREW	1
13	JINPF1900A0313	SPRING	1
14	JINPF1900A0314	SENSOR SLIT ASM	1
15	JINPF1900A0602	SCREW	2
16	JINPF1900A0316	SENSOR INSTALLING BASE	1
17	JINPF1900A0304	SCREW M4 × 0.7 L=8	1
18	JINPF1900A0318	PHOTO SENSOR	1
19	JINPF1900A0319	SCREW M3 L=10	1
20	JINPF1900A2910	LIFTER LINK B	1
21	JINPF1900A0321	HINGE SCREW D=8 H=3.2	1
22	JINPF1900A0322	NUT M5	1
23	JINPF1900A0323	HINGE SCREW D=7 H=4	1
24	JINPF1900A0324	CONNECTING ARM	1
25	JINPF1900A0325	SCREW M6 L=18	1
26	JINPF1900A0326	CONNECTING SHAFT	1
27	JINPF1900A0327	LOWERING ARM	1
28	JINPF1900A0325	SCREW M6 L=18	1
29	JINPF1900A0329	HINGE SCREW D=7.94 H=6	1
30	JINPF1900A0330	NUT M6	2
31	JINPF1900A0331	LOWERING FOOL	1
32	JINPF1900A0332	CONNECTING LINK	1
33	JINPF1900A0333	HING SCREW D=10 H=4	2
34	JINPF1900A0334	WIPER CONNECTING LINK	1
35	JINPF1900A0335	HINGE SCREW D=6 H=2	1
36	JINPF19000503	SPRING	1
37	JINPF1900A0337	WIPER CONNECTING ARM ASM	1
38	JINSCJ1052	RETAINING RING 4.7	2
39	JINPF1900A0339	SCREW	1
40	JINPF90000131	SCREW	1
41	JINPF1900A0341	WIPER CONNECTING PLATE	1
42	JINPF1900A0342	WIPER C ASM	1
44	JINSCJ1052	RETAINING RING 4.7	1
45	JINPF1900A0345	HINGE SCREW D=6.35 H=2.1	1
46	JINPF1900A0346	WIPER BASE PLATE	1
47	JINPF1310C233	SCREW	1
48	JINPF19000504	OIL SEAL	1

4. SHUTTLE DRIVER SHAFT COMPONENTS



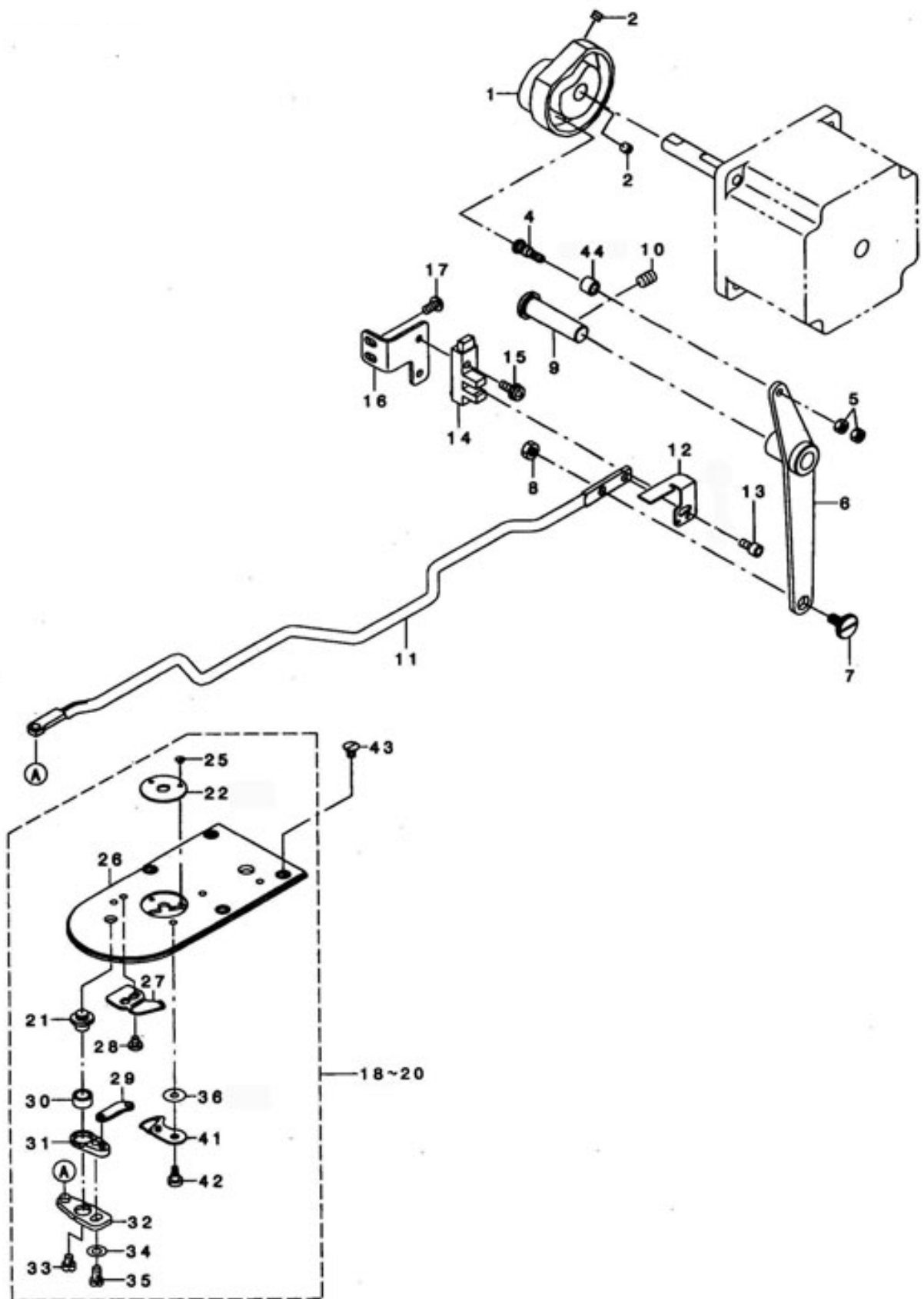
NO	CODE	NAME	QTY
1	JINSCJ5035	CABLE CLIP	1
2	JINPF1900A0402	OIL PIPE HOLDER	1
3	JINPF1900A0109	SCREW M4 L=6	1
4	JINPF1900A0404	TUBE CLAMP	1
5	JINPF1310D106	SCREW M4 L=8	1
13	JINPF1900A041301	LOWER SHAFT	1
14	JINSCJ5031	CABLE BAND	2
15	JINPF1900A0415	OIL WICK PRESSER	1
16	JINPF1900A0744	SCREW	1
18	JINPF1900A0418	SHUTTLE	(1)
19	JINPF1900A0419	SHUTTLE ASM	1
20	JINPF1900A0420	SHUTTLE OIL FELT A	(2)
21	JINPF1900A0421	SHUTTLE OIL FELT B	(1)
22	JINPF1900A0422	SPRING	(2)
23	JINPF1900A0423	E-RING 3	(2)
24	JINPF1900A0424	INNER HOOK PRESSER ASM	(2)
25	JINPF1900A0425	ONCE THROUGH OIL FELT PRESSER	(1)
26	JINPF1900A0426	SCREW M2 L=3.5	(2)
27	JINPF1900A0427	SHUTTLE ONCE THROUGH OIL FELT	(1)
28	JINPF1900A0428	SHUTTLE LUBRICATING PLATE	(1)
29	JINPF1900A0429	SCREW	(2)
30	JINPF1900A0430	OIL WICK	(2.6)
31	JINPF1900A0431	OIL WICK	(1.4)
32	JINPF1900A0432	TUBE	(1)
33	JINPF1900A0433	TUBE	(0.6)
34	JINPF1900A0434	RUBBER PLUG	(2)
35	JINPF19000422	SHUTTLE RACE ADJUSTING SHAFT	1
36	JINPF1900A0109	SCREW M4 L=6	1
37	JINPF1900A0437	SHUTTLE BEARING RING	2
38	JINPF1900A0438	SHUTTLE OIL SEAL	2
39	JINPF1900A0439	BEARING	2
40	JINPF1900A0440	BEARING	2
41	JINPF1900A0441	BEARING	2
42	JINPF1900A0442	BEARING	2
43	JINPF1900A0443	INNER HOOK UPPER SPRING	1
44	JINPF1900A0444	SCREW M2 L=3.5	2
45	JINPF1900A0445	INNER HOOK PRESSER ASM A	1
46	JINPF1900A0446	INNER HOOK PRESSER ASM B	1
49	JINPF1900A0449	SHUTTLE DRIVER ASM	1
50	JINPF1900A0450	SCREW SM3/16-12 L=12	(1)
51	JINPF19000415	SHUTTLE DRIVER	(1)
53	JINPF19000424	BOBBIN CASE ASM (RACING PREVE	1
54	JINPF19000423	BOBBIN CASE ASM (RACING PREVE	1
60	JINPF1310D106	SCREW M4 L=8	1
61	JINSCJ5036	CABLE CLIP	1
62	JINPF1310D106	SCREW M4 L=8	1
63	JINPF1900A0109	SCREW M4 L=6	1
64	JINPF1900A0464	RUBBER BUSH	2
65	JINPF1900A0465	OIL TANK ASM	1
66	JINPF1900A0466	SHUTTLE	1
67	JINPF1900A0467	SHUTTLE (H)	1
71	JINPF1900A0284	SHUTTLE ASM SCREW	1
72	JINPF1900A0744	SCREW	1

5. THREAD TENSION COMPONENTS



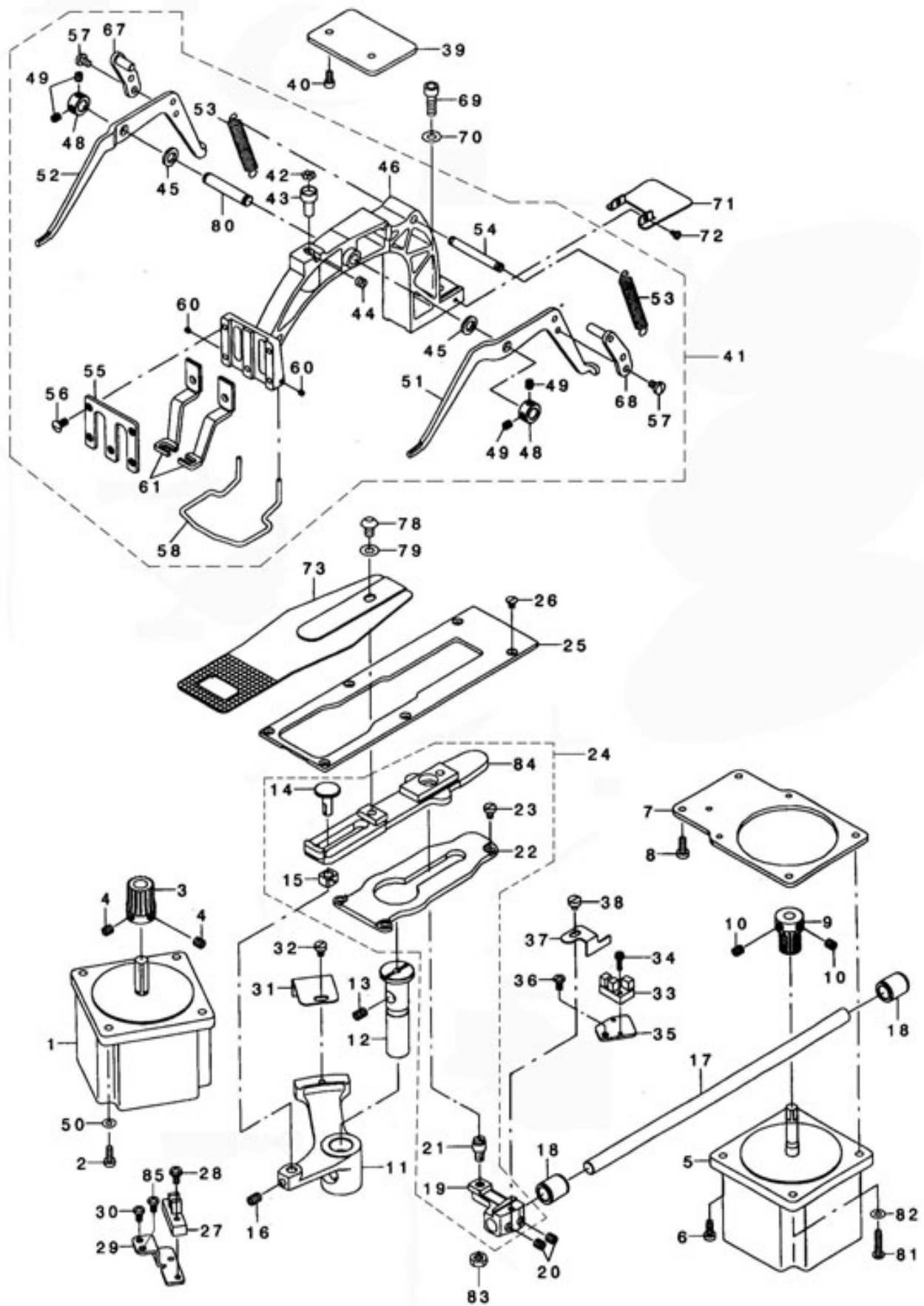
NO	CODE	NAME	QTY
1	JINPF1900A0501	AT SOLENOID	1
2	JINPF1900A0304	SCREW M4 L=6	2
3	JINPF1900A0503	E-RING	1
4	JINPF1900A0504	SPRING	1
5	JINPF1900A0505	AT SOL PIN	1
6	JINPF1900A0506	AT SOL COLLAR	1
7	JINPF1900A0507	SCREW	2
8	JINPF1900A050101	AT ASM	1
9	JINPF1900A0509	SCREW	2
11	JINPF1900A0511	AT DRIVE LINK(F) ASM	1
12	JINPF1900A0512	AT DRIVE LINK(R) ASM	1
13	JINPF1900A2905	AT PIVOT BASE(R)	1
14	JINPF1900A0509	SCREW M4 L=6	2
15	JINPF1900A0515	AT PIVOT BASE(F)	1
16	JINPF1900A0140	SCREW M4 L=10	2
17	JINPF1900A0517	HINGE SCREW	2
18	JINPF1900A0518	NUT M4	2
19	JINPF1900A0519	WASHER	3
20	JINPF1900A0520	AT PIVOT BEARING	2
21	JINPF1900A0521	AT JOINT	2
22	JINPF1900A0522	PLAIN WASHER	2
23	JINPF1900A0523	AT JOINT BEARING	2
24	JINPF1900A0524	NUT M3	2
25	JINPF1900A0525	AT CONNECTION BAR	1
26	JINPF1900A0526	AT SNAP PIN	2
27	JINPF1900A0527	THREAD TENSION ASM	1
28	JINPF1900A0528	THRED TENSION SHAFT	(1)
29	JINPF1900A0529	NUT	(1)
30	JINPF1900A0530	THREAD TENSION DISK	(2)
31	JINPF1900A0531	FIRST THREAD TENSION SPRING	(1)
32	JINPF1900A0532	THREAD TENSION ASM	1
33	JINPF1900A0533	THREAD TENSION POST BASE	(1)
34	JINPF1900A0534	DISK STOPPER HOLDER CAP	(1)
35	JINPF1900A0535	THREAD TENSION SHAFT COLLAR	(1)
36	JINPF1900A0536	SPRING	(3)
37	JINPF1900A0537	DISK STOPPER	(1)
38	JINPF1900A0538	ASSY THREAD TENSION POST	(1)
39	JINPF1900A0539	AT SOL COLLAR SCREW	(1)
40	JINPF1900A0540	THREAD TAKE UP SPRING	(1)
41	JINPF1900A0541	SCREW	(3)
42	JINPF1900A0542	NUT	(1)
43	JINPF1900A0543	POST BASE C RING	(1)
44	JINPF1900A0544	THREAD TENSION SHAFT	(1)
47	JINPF1900A0744	SCREW M6 L=16	1

6. THREAD TRIMMER MECHANISM COMPONENTS



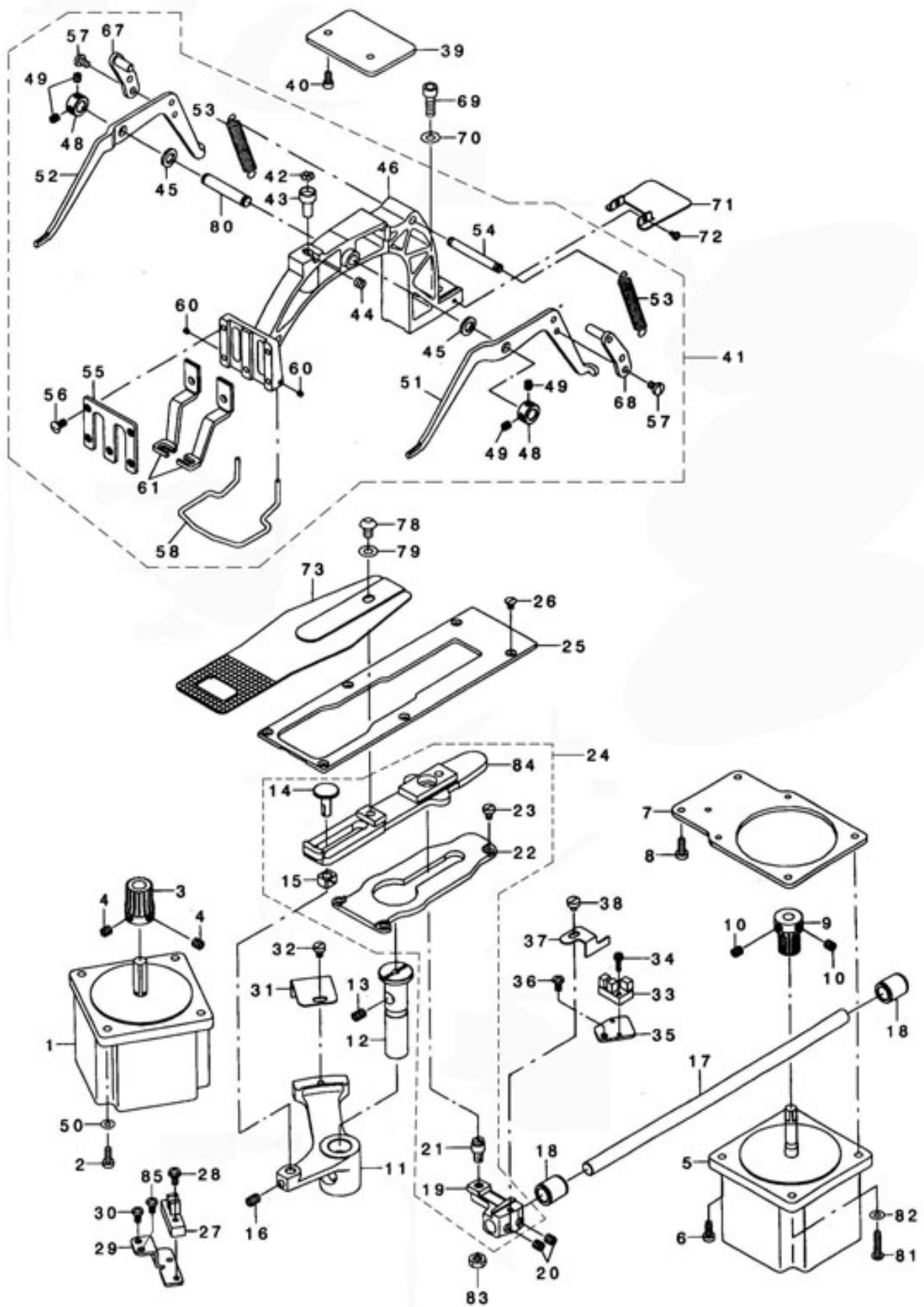
NO	CODE	NAME	QTY
1	JINPF1900A0601	THREAD TRIMMER CAM	1
2	JINBF310164514	SCREW	2
4	JINPF1900A0306	CAM ROLLER SHAFT	1
5	JINPF1900A0307	NUT M4 × 0.7	2
6	JINPF1900A0606	THREAD TRIMMER LINK ASM	1
7	JINPF1900A0607	HINGE SCREW D=8 H=3.2	1
8	JINPF1900A0322	NUT M5	1
9	JINPF1900A0609	THREAD TRIMMER SHAFT	1
10	JINPF1900A0204	SCREW M6 L=8	1
11	JINPF1900A2912	CONNECTING BAR	1
12	JINPF1900A0612	THREAD TRIMMER SENSOR SLIT	1
13	JINPF1900A0304	SCREW M4 × 0.7 L=8	1
14	JINPF1900A0614	PHOTO SENSOR	2
15	JINPF1900A0615	SCREW M4 L=10	1
16	JINPF1900A0616	THREAD TRIMMER SENSOR BASE	1
17	JINPF1900A0102	SCREW	2
18	JINPF1900A0618	NEEDLE PLATE ASM 1.6	1
19	JINPF1900A0619	NEEDLE PLATE ASM 2.4	1
20	JINPF1900A0620	NEEDLE PLATE ASM 2.0	1
21	JINPF1900A0621	THREAD CUTTER LEVER SHAFT	(1)
22-1	JINPF1900A061801	NEEDLE HOLE GUIDE	(1)
22-2	JINPF1900A061901	NEEDLE HOLE GUIDE	(1)
22-3	JINPF1900A062201	NEEDLE HOLE GUIDE	(1)
25	JINPF1900A0625	SCREW SM3/32-56 L=2.2	(2)
26	JINPF1900A0626	NEEDLE PLATE	(1)
27	JINPF1900A0627	FIXING KNIFE	(1)
28	JINPF1900A0628	HINGE SCREW SM9/64-40 L=3.5	(2)
29	JINPF1900A0629	MOVING KNIFE LINK	(1)
30	JINPF1900A0630	THREAD CUTTING LEVER RING	(1)
31	JINPF1900A0631	THREAD CUTTER LEVER ASM SMALL	(1)
32	JINPF1900A0632	THREAD CUTTER LEVER ASM LARGE	(1)
33	JINPF1900A0633	SCREW SM11/64-40 L=4	(1)
34	JINPF1900A0634	WASHER	(1)
35	JINPF1900A0635	SCREW SM11/64-40 L=7	(1)
36	JINPF1900A0636	MOVING KNIFE WASHER	(1)
41	JINPF1900A0641	MOVING KNIFE ASM	(1)
42	JINPF1900A0642	HINGE SCREW D=5.0 H=0.9	(1)
43	JINPF1900A0643	SCREW M4 L=6	4
44	JINPF1900A0644	NEEDLE CAM ROLLER	1

7. FEED MECHANISM COMPONENTS (1)



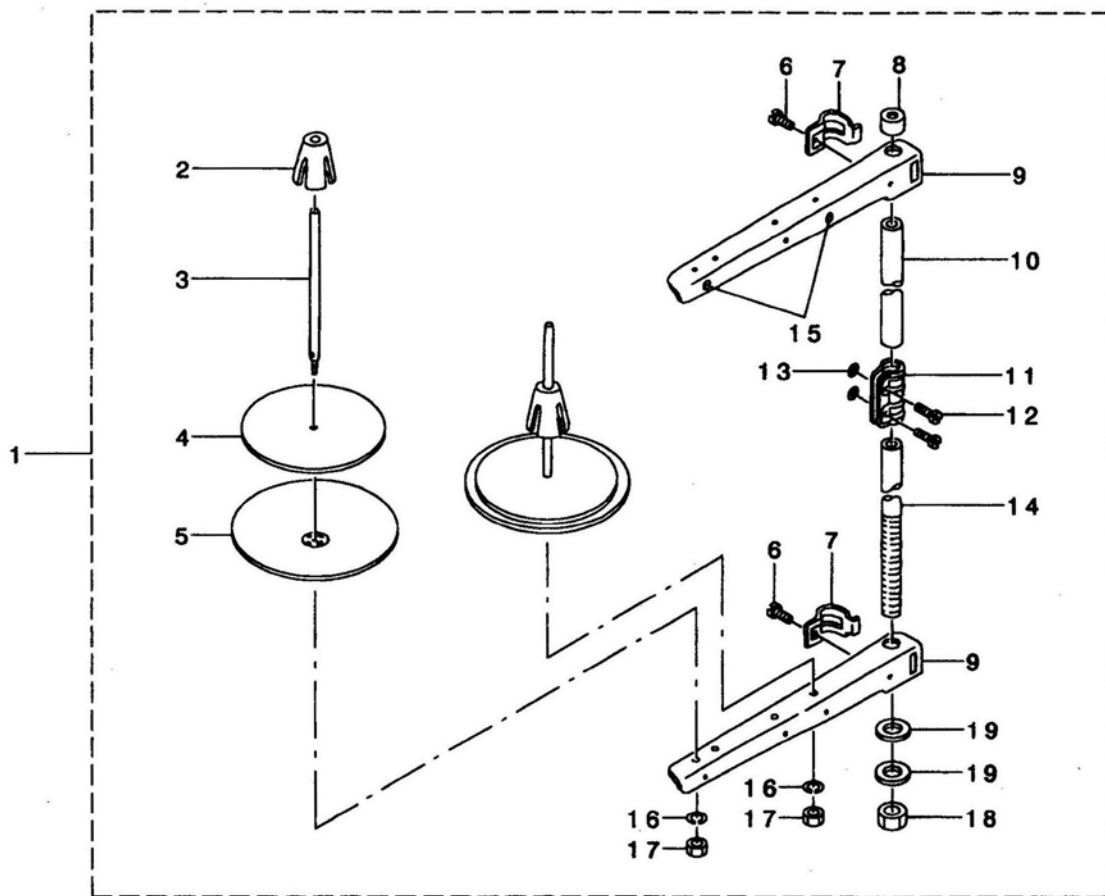
NO	CODE	NAME	QTY
1	JINPF1900A0701	X FFED MOTOR	1
2	JINPF1900A078101	SCREW SM3/16-28 L=18.5	4
3	JINPF1900A0703	X FEED GEAR	1
4	JINPF1900A0704	SCREW M6 L=6	2
5	JINPF1900A0705	Y FEED MOTOR	1
6	JINPF1900A0702	SCREW M4 L=11	2
7	JINPF1900A0707	Y FEED MOTOR BASE	1
8	JINPF1900A0120	SCREW M4 L=11	2
9	JINPF1900A0709	Y FEED GEAR	1
10	JINPF1900A0704	SCREW M6 L=6	2
11	JINPF1900A0711	CLOTH FEED ARM	1
12	JINPF1900A0712	FEED DRIVING ARM SHAFT	1
13	JINPF1900A0204	SCREW M6 L=8	1
14	JINPF1900A0714	SLIDE BLOCK STUD	1
15	JINPF1900A0715	GUIDE ROLLER	1
16	JINPF1900A0204	SCREW M6 L=8	1
17	JINPF1900A0717	Y FEED SHAFT	1
18-1	JINPF1900A071801	BUSHING REAR A	1
18-2	JINPF1900A071802	BUSHING REAR B	1
19	JINPF1900A0719	Y FEED ARM	1
20	JINPF90008129	SCREW SM1/4-40 L=6	2
21	JINPF1900A0721	HINGE STUD	1
22	JINPF1900A0722	CLOTH FEED SUPPORT PLAE	1
23	JINPF1900A0109	SCREW	3
24	JINPF1900A0724	CLOTH FEED PLATE	1
25	JINPF1900A0725	CLOTH FEED PRESSER PLATE	1
26	JINPF1900A0643	SCREW M4 L=6	6
27	JINPF1900A0727	PHOTO SENSOR	1
28	JINPF1900A0615	SCREW M4 L=10	1
29	JINPF1900A0729	SENSOR INSTALLING BASE	1
30	JINPF5550230	SCREW	1
31	JINPF1900A0731	CROSSFED SENSOR SLIT	1
32	JINPF1900A0109	SCREW M4 L=6	1
33	JINPF1900A0733	PHOTO SENSOR	1
34	JINPF1900A0319	SCREW M3 L=10	1
35	JINPF1900A0735	SENSOR INSTALLING BASE	1
36	JINPF1310D106	SCREW M4 L=8	1
37	JINPF1900A0737	LENGTHWISE FEED SENSOR SLIT	1
38	JINPF5550317	SCREW SM11/64-40 L=8	1
39	JINPF1900A0739	SUPPORT PLATE	1
40	JINPF1900A0509	SCREW M4 × 0.7 L=8	2
41	JINPF1900A0741	FEED BRACKET	1
42	JINSCJ6070	BALL	7
43	JINPF1900A0743	BALL RETAINER	1
44	JINPF7811004	SCREW SM15/64-28 L=5	1
45	JINPF1900A0745	WASHER FOR DRIVING ARM	2
46	JINPF1900A0746	FEED BRACKET B	1

7. FEED MECHANISM COMPONENTS (2)



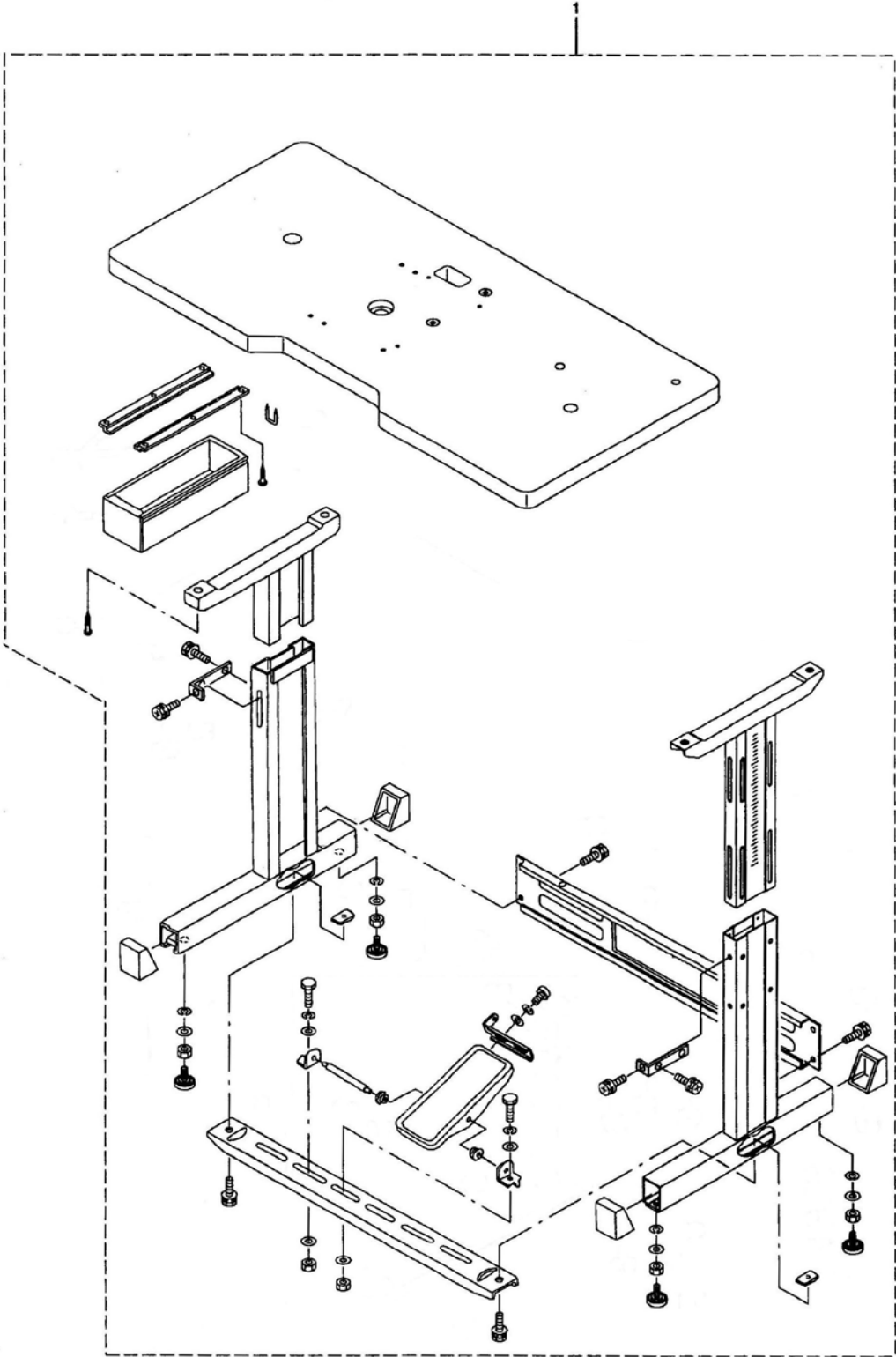
NO	CODE	NAME	QTY
48	JINPF1900A0748	THRUST COLLAR	2
49	JINPF1900A0749	SCREW M5 L=5	4
50	JINPF1900A0750	WASHER	4
51	JINPF1900A0751	LIFTING LEVER RIGHT	1
52	JINPF1900A0752	LIFTING LEVER LEFT	1
53	JINPF1900A0753	SPRING	2
54	JINPF1900A0754	SPRING SUSPENSION	1
55	JINPF1900A0755	WORK CLAMP FOOT FACE PLATE	1
56	JINPF1900A0756	SCREW SM11/64-40 L=8.7	5
57	JINPF1900A0757	SCREW SM11/64-40 L=7	4
58	JINPF1900A0758	FINGER GUARD	1
60	JINPF1900A0760	SCREW SM1/8-44 L=2.8	2
61	JINPF1900083601	WORK CLAMP FOOT	1
67	JINPF1900A0767	LEVER DRIVING PLATE L ASM	1
68	JINPF1900A0768	LEVER DRIVING PLATE R ASM	1
69	JINPF1900A0325	SCREW M6 L=18	1
70	JINPF19000816	WASHER 6.2 × 13 × 1	1
71-1	JINPF1900A0771	HIDDEN PLATE	1
71-2	JINPF1900A077101	HIDDEN PLATE	1
72	JINPF1900A0144	SCREW M3 L=5	2
73	JINPF19000814	FEED PLATE A	1
78	JINPF19000864	SCREW M6 L=10	1
79	JINPF19000816	WASHER 6.2 × 13 × 1	1
80	JINPF1900A0780	LIFTING LEVER SHAFT	1
81	JINPF1900A078102	SCREW M4 L=20	2
82	JINSCJ3008	WASHER	2
83	JINPF7811573	NUT	1
84	JINPF1900A0784	CLOTH FEED PLATE	1
85	JINPF1310D106	SCREW M4 L=8	1

10. THREAD STAND COMPONENTS



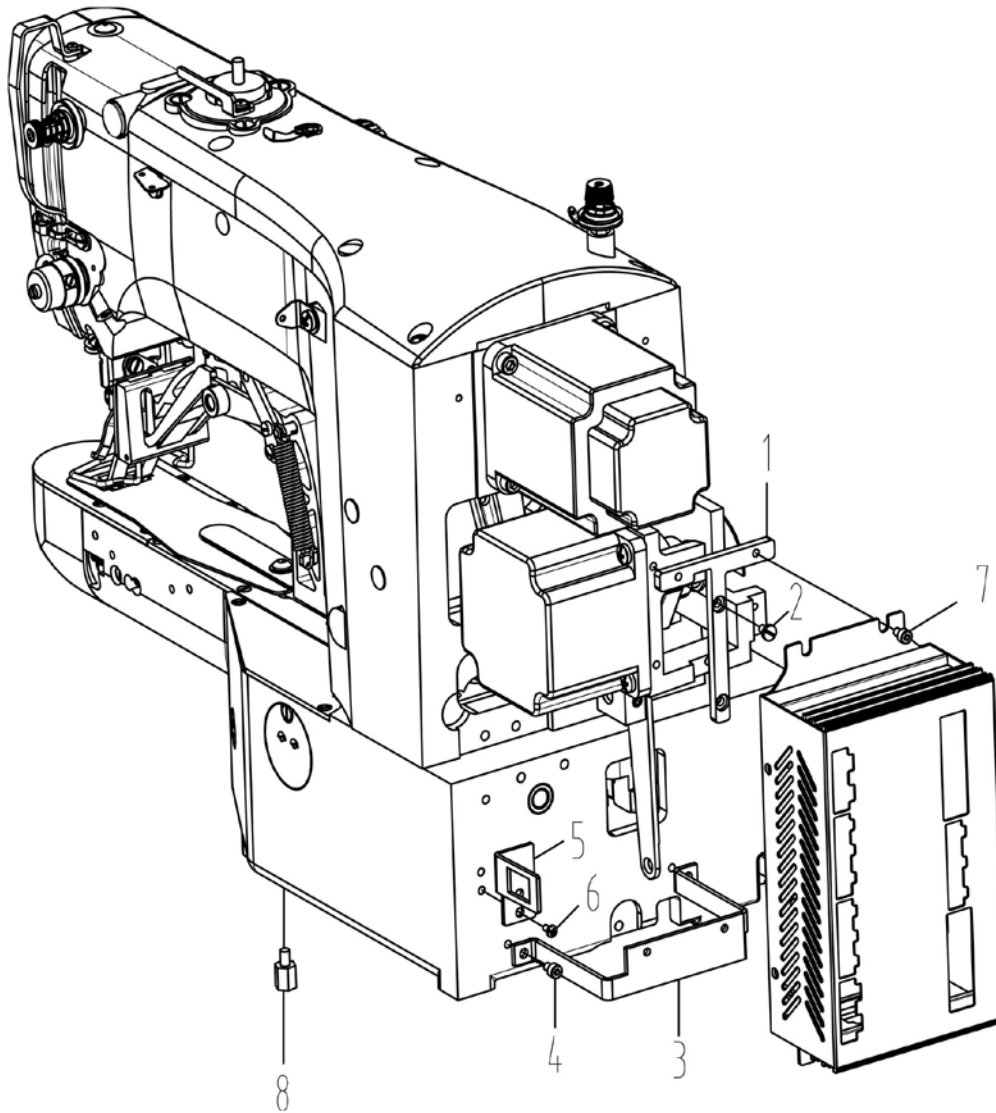
NO	CODE	NAME	QTY
1	JINPF5550112701	THREAD STAND ASM	1
2	-	SPOOL RETAINER	(2)
3	-	SPOOL PIN	(2)
4	-	SPOOL REST CUSHION	(2)
5	-	SPOOL REST	(2)
6	-	SCREW M6 L=16	(2)
7	-	THREAD GUIDE ARM JOINT	(2)
8	-	SPOOL REST ROD RUBBER CAP	(1)
9	-	SPOOL REST ARM	(2)
10	-	SPOOL REST ROD UPPEN	(1)
11	-	SPOOL REST ROD JOINF	(1)
12	-	SCREW M5 L=14	(2)
13	-	NUT M5	(2)
14	-	SPOOL REST ROD LOWER	(1)
15	-	THREAD GUIDE	(2)
16	-	SPRING WASHER	(2)
17	-	NUT M5	(2)
18	-	NUT M16X1.5	(1)
19	-	WASHER 17X30X2.6	(2)

11. TABLE STAND COMPONENTS



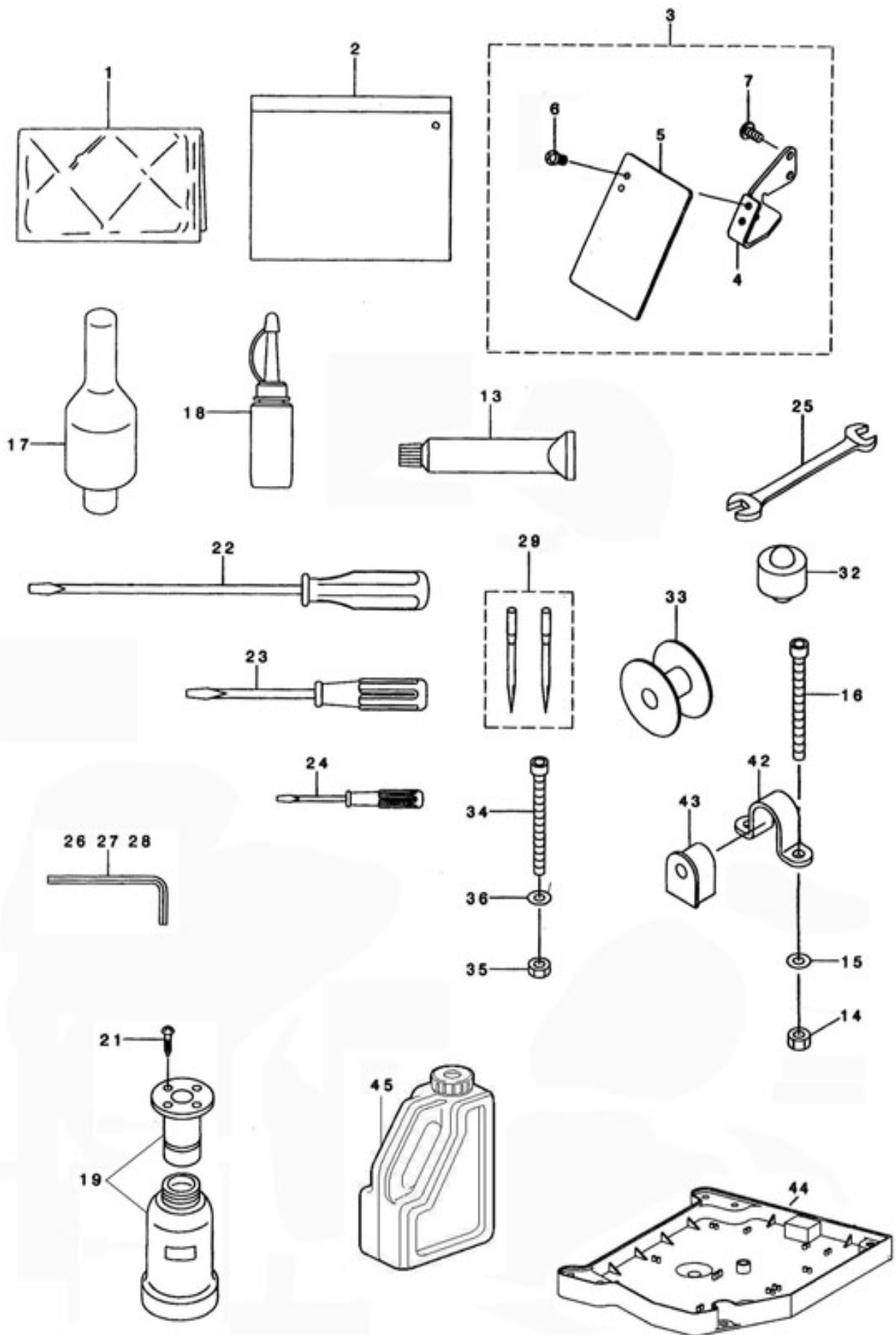
NO	CODE	NAME	QTY
1	JINPF1900TB03	TABLE	1

12. CONTROL BOX COMPONENTS



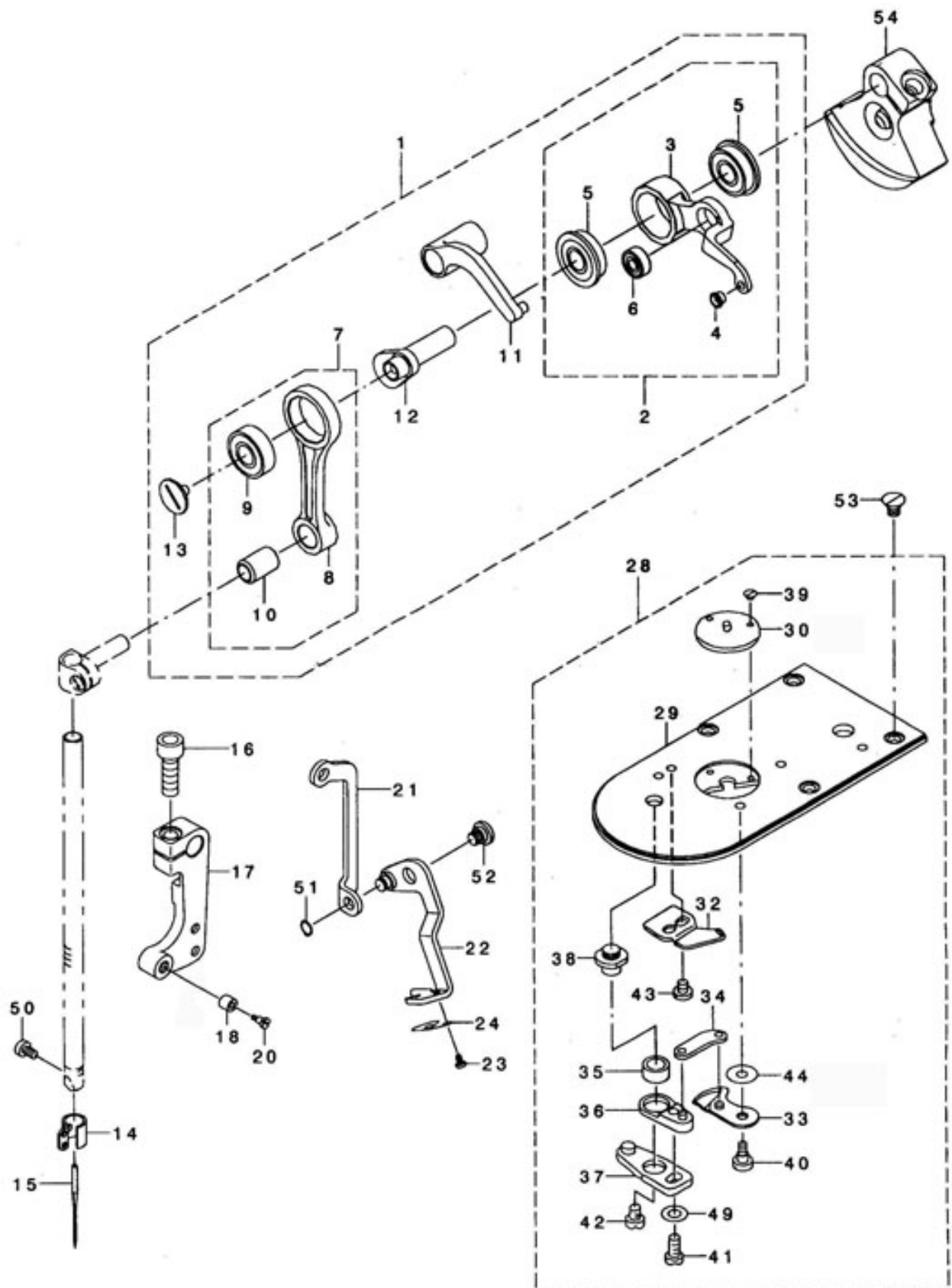
NO	CODE	NAME	QTY
1	JINPF1900A120301	INTEGRATED ELECTRIC CONTROL UP BRACKET	1
2	JINPF1310D137	SCREW	2
3	JINPF1900A120302	INTEGRATED ELECTRIC CONTROL DOWN BRACKET	1
4	JINPF1310C413	SCREW	2
5	JINPF1900A120303A	INTEGRATED ELECTRIC CONTROL SWITCH BRACKET	1
6	JINPF1310C228	SCREW	2
7	JINPF1310C242	SCREW	4
8	JINPF1900A120304	SCREW	4

15. ACCESSORIE PATS COMPONENTS



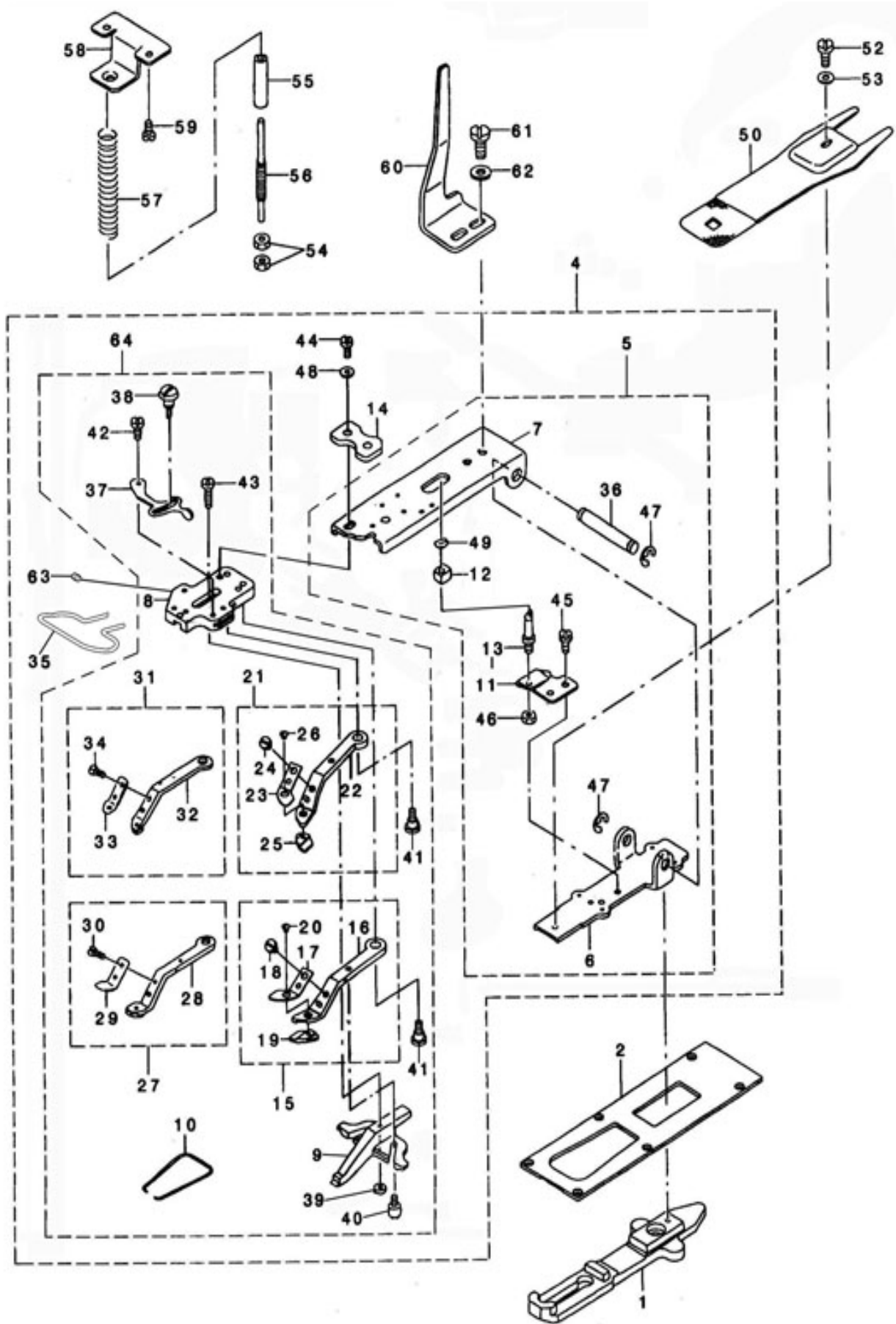
NO	CODE	NAME	QTY
1	JINPFNA2814	HEAD COVER	1
2	JINPF5550102301	ACCESSORIE BAG	1
3	JINPF1900A1503	SAFETY PLATE ASM	1
4	JINPF1900A1504	SAFETY PLATE BASE	(1)
5	JINPF1900150102	SAFETY PLATE	(1)
6	JINPF1900A0102	SCREW M4 L=6	(2)
7	JINPF1900A0102	SCREW	(2)
13	-	GREASE B TUBE	1
14	JINPF19000120	NUT M6	4
15	JINPF19000119	WASHER	4
16	JINPF19000118	SCREW M6 L=60	4
17	JINPF19000122	HEAD SUPPORT BAR	1
18	JINPF68425Z134	OIL CAN	1
19	JINPF19001503	OIL CAN	1
21	JINSCJ2036	WOOD SCREW	4
22	JINPF55501016	SCREW DRIVER LARGE	1
23	JINPF55501017	SCREW DRIVER MIDDLE	1
24	JINPF55501018	SCREW DRIVER SMALL	1
25	JINPF61501109	WRENCH(9 × 10)	1
26	JINSCJ6004	HEXAGONAL WRENCH SMALL	1
27	JINSCJ6005	HEXAGONAL WRENCH MIDDLE	1
28	JINSCJ6006	HEXAGONAL WRENCH LARGE	1
29-1	JINPFDTDP516	NEEDLE DP × 5 16#	4
29-2	JINPFDTDP521	NEEDLE DP × 5 21#	4
29-3	JINPFDTDP511	NEEDLE DP × 5 11#	4
29-4	JINPFDTDP1714	NEEDLE DP × 17 14#	4
29-5	JINPFDTDP1716	NEEDLE DP × 17 16#	4
32	JINPF1900A1532	FRAME SUPPORT RUBBER	2
33	JINPF19000423	BOBBIN	2
34	JINPF19000118	BOLT M6 L=60	1
35	JINPF19000120	NUT M6	1
36	JINPF19000119	WASHER	1
42	JINPF1900A1542	BED HINGE	2
43	JINPF19000110	HINGE RUBBER	2
44	JINPF1900A1544	BED FITTING BASE	1
45	JINPF1900A1545	OIL CAN	1

20. EXCLUSIVE PARTS FOR 1903 (1)



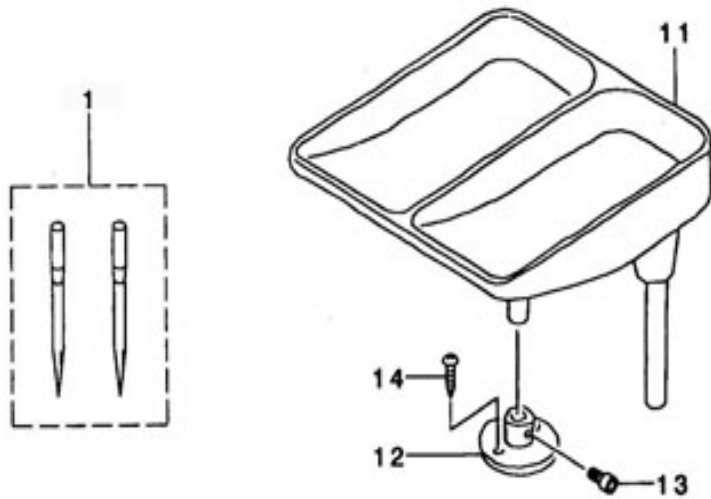
NO	CODE	NAME	QTY
1	JINPF1903A2001	THREAD TAKE UP COMPL	1
2	JINPF1900A2002	THREAD TAKE UP LEVER ASM	(1)
3	JINPF1900A2003	THREAD TAKE UP LEVER	(1)
4	JINPF1900A2004	THREAD PASS BUSH	(1)
5	JINPF1900A2005	BEARING	(2)
6	JINPF1900A2006	BEARING	(1)
7	JINPF1900A2007	NEEDLE BAR CRANK ROD ASM	(1)
8	JINPF1900A2008	NEEDLE BAR CRANK ROD	(1)
9	JINPF1900A2009	BEARING	(1)
10	JINPF1900A2010	NEEDLE BAR CRANK ROD BUSH	(1)
11	JINPF1900A2011	THREAD TAKE UP CRANK	(1)
12	JINPF1900A2012	NEEDLE ROD CRANK B	(1)
13	JINPF1900A2013	SCREW	(1)
14	JINPF19032302	NEEDLE BAR THREAD GUIDE	1
15	JINPFDTDP1714	NEEDLE DOX17 #14	1
16	JINPF1900A0325	SCREW M6 L=18	1
17	JINPF19032704	CONNECTING ARM B	1
18	JINPF19032405	STOP MOTION TRIPPING LEVER CAM	1
20	JINPF19032404	HINGE SCREW D=7.94 H=12.7	1
21	JINPF1900A0341	WIPER CONNECTING PLATE B	1
22	JINPF19032103	WIPER ASM	1
23	JINPF9820L44	SCREW SM3/32-56 L=2.8	2
24	JINPF19032102	SPRING	1
28	JINPF1903A2028	NEEDLE PLATE ASM	1
29	JINPF1900A2029	NEEDLE PLATE	(1)
30	JINPF1903A202801	GUIDE (2.0)	(1)
32	JINPF1900A2032	FIXING KUIFE	(1)
33	JINPF1900A2033	MOVING KNIFE ASM	(1)
34	JINPF1900A2034	MOVING KNIFE LINK	(1)
35	JINPF1900A2035	THREAD CUTTING LEVER RING	(1)
36	JINPF1900A2036	THREAD CUTTER LEVER ASM SMALL	(1)
37	JINPF1900A2037	THREAD CUTTER LEVER ASM LARG	(1)
38	JINPF1900A2038	THREAD CUTTER LEVER SHAFT	(1)
39	JINPF1900A2039	SCREW SM3/32-56 L=2.2	(2)
40	JINPF1900A2040	HINGE SCREW D=5.0 H=0.9	(1)
41	JINPF1900A2041	SCREW SM11/64-40 L=7	(1)
42	JINPF1900A2042	SCREW SM11/64-40 L=4.0	(1)
43	JINPF1900A2043	SCREW SM9/64-40 L=3.5	(2)
44	JINPF1900A2044	MOVING KNIFE WASHER	(1)
49	JINPF1900A2049	WASHER	(1)
50	JINPF555049	SCREW M3 L=5	1
51	JINSCJ1052	RETAINING RING 4.7	1
52	JINPF1900A0345	HINGE SCREW	1
53	JINPF1900A0643	SCREW	4
54	JINPF1903A2054	COUNTER WEIGHT B	1

21. EXCLUSIVE PARTS FOR 1903 (2)



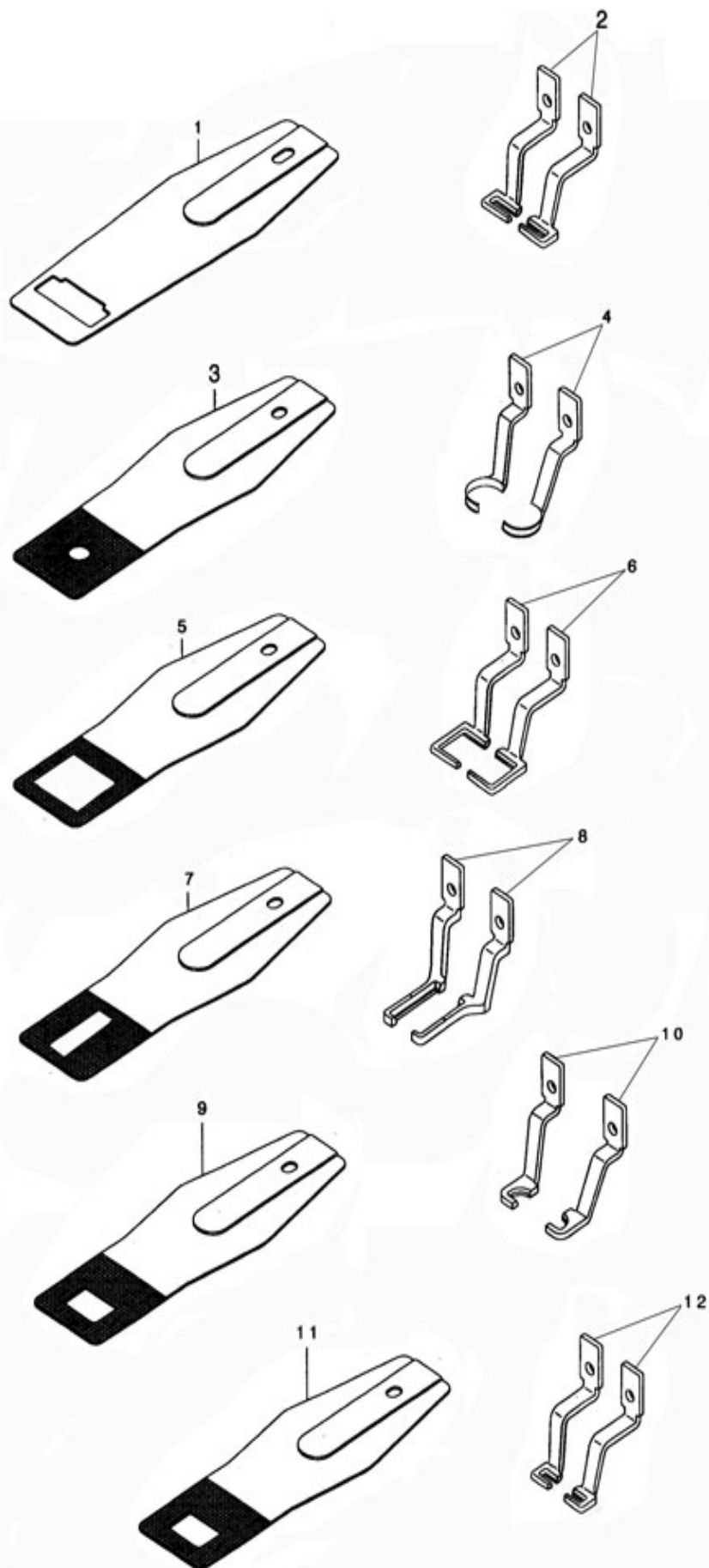
NO	CODE	NAME	QTY
1	JINPF1903A2101	CLOTH FEED PLATE	1
2	JINPF1903A0725	CLOTH FEED PRESSER PLATE	1
4	JINPF1900A2104	VERY SMALL CLAMP MECHANISM ASM	1
5	JINPF19032247	MEDIUM CLAMP MECHANISM ASM	1
6	JINPF1900A2106	PICK-UP INSTALLING BASE A	(1)
7	JINPF1900A2107	PICK-UP INSTALLING BASE B	(1)
8	JINPF1900A2108	INSTALLING BASE	(1)
9	JINPF1900A2109	BUTTON CLAMP SLIDE	(1)
10	JINPF1900A2110	SPRING	(1)
11	JINPF1900A2111	SUPPORT PLATE	(1)
12	JINPF1900A2112	SLIDE BLOCK	(1)
13	JINPF1900A2113	STATIONING BLOCK SHAFT	(1)
14	JINPF19032242	PRESSER PLATE	(1)
15	JINPF1900A2115	MIDDLE CLAMP JAW LEVER ASM R	(1)
16	JINPF1900A2116	SMALL CLAMP JAW LEVER R	(1)
17	JINPF1900A2117	SPRING	(1)
18	JINPF1900A2118	SCREW SM9/64-40 L=3.5	(1)
19	JINPF1900A2119	PLATE	(1)
20	JINPF1900A2120	SCREW SM3/32-56 L=3	(1)
21	JINPF1900A2121	MIDDL CLAMP JAW LEVER ASM L	(1)
22	JINPF1900A2122	SMALL CLAMP JAW LEVER L	(1)
23	JINPF1900A2123	SPRING	(1)
24	JINPF1900A2124	SCREW SM9/64-40 L=3.5	(1)
25	JINPF1900A2125	PLATE	(1)
26	JINPF1900A2126	SCREW SM3/32-56 L=3	(1)
27	JINPF1900A2127	EXTRA SMALL CLAMP LEVER ASM R	(1)
28	JINPF1900A2128	EXTAR SMALL CLAMP LEVER R	(1)
29	JINPF1900A2129	SPRING	(1)
30	JINPF1900A2130	SCREW SM9/64-40 L=3.5	(1)
31	JINPF1900A2131	EXTRA SMALL CLAMP LEVER ASM L	(1)
32	JINPF1900A2132	EXTRA SMALL CLAMP LEVER L	(1)
33	JINPF1900A2133	SPRING	(1)
34	JINPF1900A2134	SCREW SM9/64-40 L=3.5	(1)
35	JINPF430GE15	FINGER GUARD	(1)
36	JINPF1900A2136	INSTALLING SHAFT	(1)
37	JINPF1900A2137	SNAP FASTENER CLAMP STOP LEVER	(1)
38	JINPF1900A2138	SCREW	(1)
39	JINPF1900A2139	NUT	(1)
40	JINPF1900A2140	BUTTON CLAMP STOP PIN	(2)
41	JINPF1900A2141	HINGE SCREW D=6.35 H=3.9	(2)
42	JINPF1900A2142	HINGE SCREW D=5.50 H=1.8	(1)
43	JINPF1900A2143	HINGE SCREW D=5.5 H=3	(1)
44	JINPF19032220	SCREW SM3/16-32 L=13.5	(2)
45	JINPF1900A2145	SCREW SM11/64-40 L=4	(2)
46	JINPF1900A2146	NUT SM15/64-28	(1)
47	JINPF1900A2147	E-RING 7	(2)
48	JINPF19000608	WASHER	(2)
49	JINPF1900A2149	E-RING	(1)
50	JINPF19032209	PRESSURE PLATE	1
52	JINPF19032208	SCREW SM11/64-40 L=5.3	1
53	JINPF19000816	WASHER	1
54	JINPF19032219	THREAD TENSION NUT	2
55	JINPF19032214	SLEEVE	1
56	JINPF19032218	ADJUSTING SHAFT	1
57	JINPF19032217	PRESSURE SPRING	1
58	JINPF19032215	ACCEPT PLATE UPPER	1
59	JINPF1900A0509	SCREW	2
60	JINPF19032213	MOVING PLATE	1
61	JINPF19032212	SCREW SM3/16-32 L=13.5	2
62	JINPF1900816	WASHER	2
63	JINPF430GE16	SCREW	2
64	JINPF430GE17	BUTTON CLAMP ASSY	1

22. ACCESSORIES PARTS FOR 1903



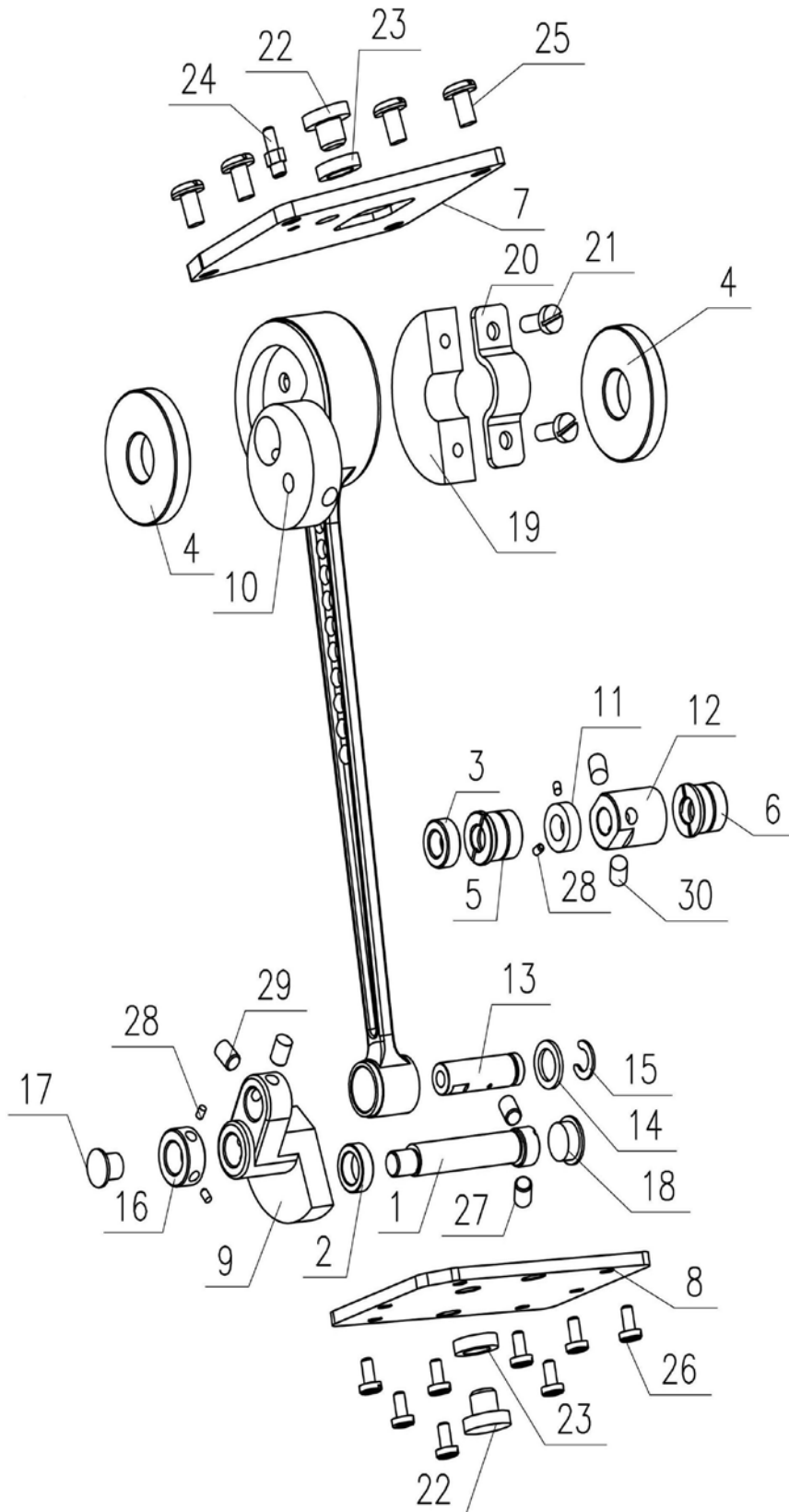
NO	CODE	NAME	QTY
1	JINPFDTDP1714	NEEDLE DPX17 14#	4
11	JINPF19032501	BUTTON TRAY ASM	1
12	JINPF19032503	BUTTON TRAY BASE	1
13	JINPF1310B24	SCREW M6 L=12	1
14	JINSCJ2106	WOOD SCREW D=4.1 L=20	2

23. OPTION COMPONENTS



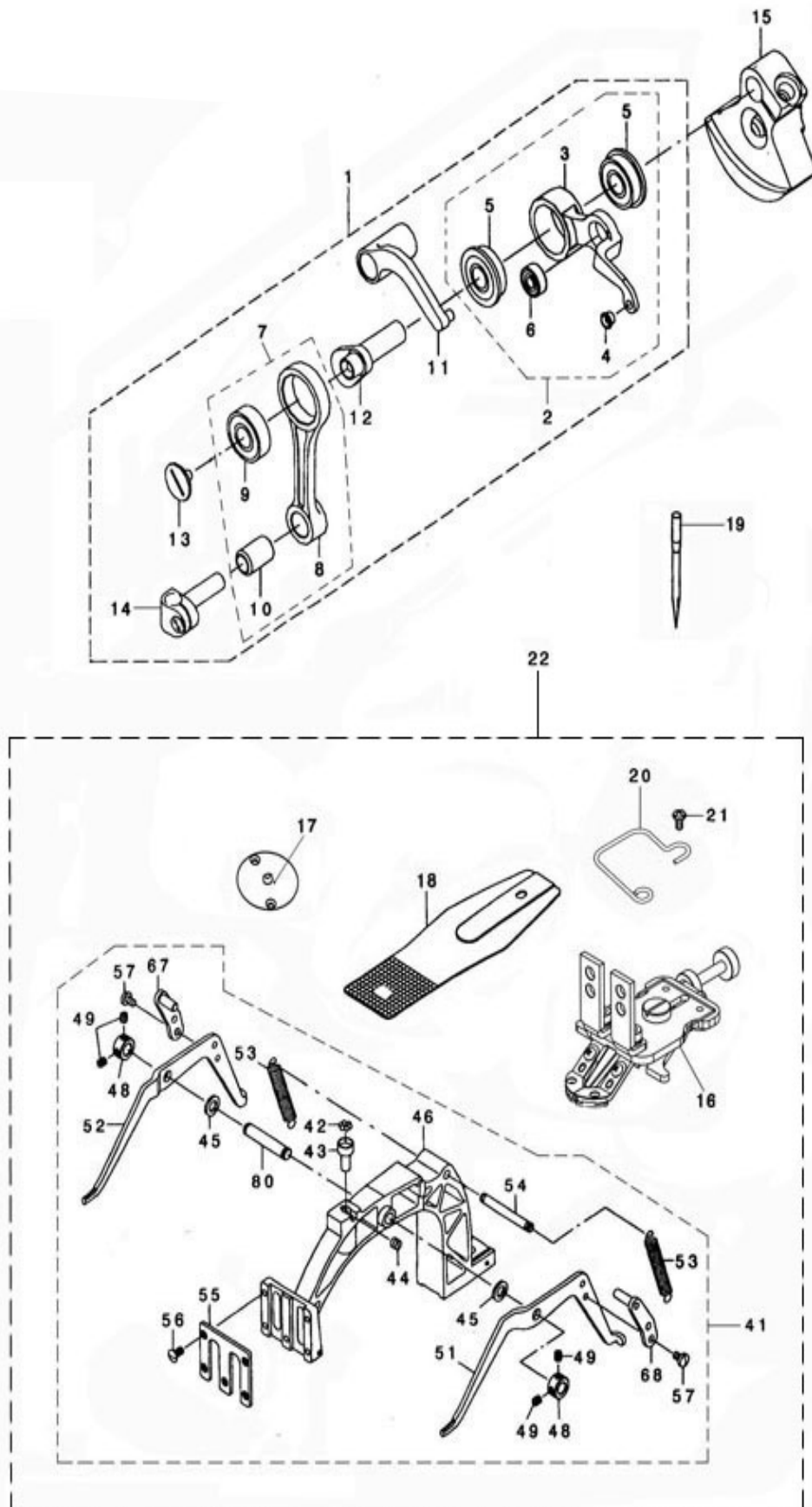
NO	CODE	NAME	QTY
1	JINPF1900H0815	FEED PLATE H	1
2	JINPF1900H0847	WORK CLAMP FOOT H	1
3	JINPF1900Y0814	FEED PLATE Y	1
4	JINPF1900Y0847	WORK CLAMP FOOT Y	1
5	JINPF1900F0414	FEED PLATE F	1
6	JINPF1900F0847	WORK CLAMP FOOT F	1
7	JINPF1900L0814	FEED PLATE L	1
8	JINPF1900L0844	WORK CLAMP FOOT L	1
9	JINPF1900BY0814	FEED PLATE BY	1
10	JINPF1900BY083601	WORK CLAMP FOOT BY	1
11	JINPF1900K081401	FEED PLATE K	1
12	JINPF1900K0844	WORK CLAMP FOOT K	1

29. CRANK ROD PART



NO	CODE	NAME	QTY
1	JINPF1900D2901	ECCENTRIC SHAFT	1
2	JINPF1900A2902	GASKET	1
3	JINPF1900A2903	LOWER SHAFT OIL SEAL	1
4	JINPF1900A2904	UPPER SHAFT OIL SEAL	2
5	JINPF1900D041010	LOWER SHAFT FRONT COVER	1
6	JINPF1900D041011	LOWER SHAFT REAR COVER	1
7	JINPF1900A2907	UPPER COVER PLATE	1
8	JINPF1900A2908	BOTTOM COVER PLATE	1
9	JINPF1900A0216	SWING GEAR	1
10	JINPF1900A2910	CONNECTING ROD ASSEMBLY	1
11	JINPF19000425	LOWER SHAFT BEAD FLANGE	1
12	JINPF1900A041003	WOBBLE GEAR	1
13	JINPF1900A0286	CRANK CONNECTING ROD PIN	1
14	JINPF1900A0217	WASHER	1
15	JINPF1900A0219	CIRCLIP	1
16	JINPF19000426	BEAD FLANGE	1
17	JINPF1900A0149	HOLE PLUG	1
18	JINPF1900A0151	HOLE PLUG	1
19	JINPF1900A2909	BALANCE BLOCK	1
20	JINPF1900A0253	ECCENTRIC COVER PLATE	1
21	JINPF1900A0254	SCREW	2
22	JINBF15000119	LACQUER TRAY SCREW	2
23	JINBF800202287A	OIL SEAL	2
24	JINPF2284020204	OIL NOZZLE	1
25	JINPF1900A0104	SCREW M6	4
26	JINPF1900A0102	SCREW M4	8
27	JINPF1900A0204	SCREW M6	2
28	JINPF19000428	SCREW	4
29	JINPF1900A0218	SCREW M6X0.75	2
30	JINPF1900A0704	SCREW	2

30.EXCLUSIVE PARTS FOR B Type



NO	CODE	NAME	QTY
1	JINPF1903A2001	THREAD TAKE UP COMPL	1
2	JINPF1900A2002	THREAD TAKE UP LEVER ASM	(1)
3	JINPF1900A2003	THREAD TAKE UP LEVER	(1)
4	JINPF1900A2004	THREAD PASS BUSH	(1)
5	JINPF1900A2005	BEARING	(2)
6	JINPF1900A2006	BEARING	(1)
7	JINPF1900A2007	NEEDLE BAR CRANK ROD ASM	(1)
8	JINPF1900A2008	NEEDLE BAR CRANK ROD	(1)
9	JINPF1900A2009	BEARING	(1)
10	JINPF1900A2010	NEEDLE BAR CRANK ROD BUSH	(1)
11	JINPF1900A2011	THREAD TAKE UP CRANK	(1)
12	JINPF1900A2012	NEEDLE ROD CRANK B	(1)
13	JINPF1900A2013	SCREW	(1)
14	JINPF1900A0270	NEEDLE BAR CLAMP	1
15	JINPF1903A2054	COUNTER WEIGHT B	1
16	JINPF1900A3016	NEW TAPY BUTTON CLAMP ASSY	1
17	JINPF1903A202801	GUIDE (2.0)	1
18	JINPF19000814X	FEED PLATE	1
19	JINPFDTDP1714	NEEDLE DOX17 #14	1
20	JINPF1900A075801	FINGER GUARD	1
21	JINPF8420M-D3010112	SCREW	1
22	JINPF1900A3022	BUCKLE KIT	1
41	JINPF1900A074101	FEED BRACKET ASM	1
42	JINSCJ6070	BALL	7
43	JINPF1900A0743	BALL RETAINER	1
44	JINPF7811004	SCREW SM15/64-28 L=4.7	1
45	JINPF1900A0745	WASHER FOR DRIVING ARM	2
46	JINPF1900A0746	FEED BRACKET	1
48	JINPF1900A0748	THRUST COLLAR	2
49	JINPF1900A0749	SCREW M5 L=5	4
51	JINPF1900A0751	LIFTING LEVER RIGHT	1
52	JINPF1900A0752	LIFTING LEVER LEFT	1
53	JINPF1900A0753	SPRING	2
54	JINPF1900A0754	SPRING SUSPENSION	1
55	JINPF1900A0755	WORK CLAMP FOOT FACE PLATE	1
56	JINPF1900A0756	SCREW SM11/64-40 L=8.7	5
57	JINPF1900A0757	SCREW SM11/64-40 L=7	4
67	JINPF1900A0767	LEVER DRIVING PLATE L ASM	1
68	JINPF1900A0768	LEVER DRIVING PLATE R ASM	1