

# ***PARTS LIST***

**F-1F**

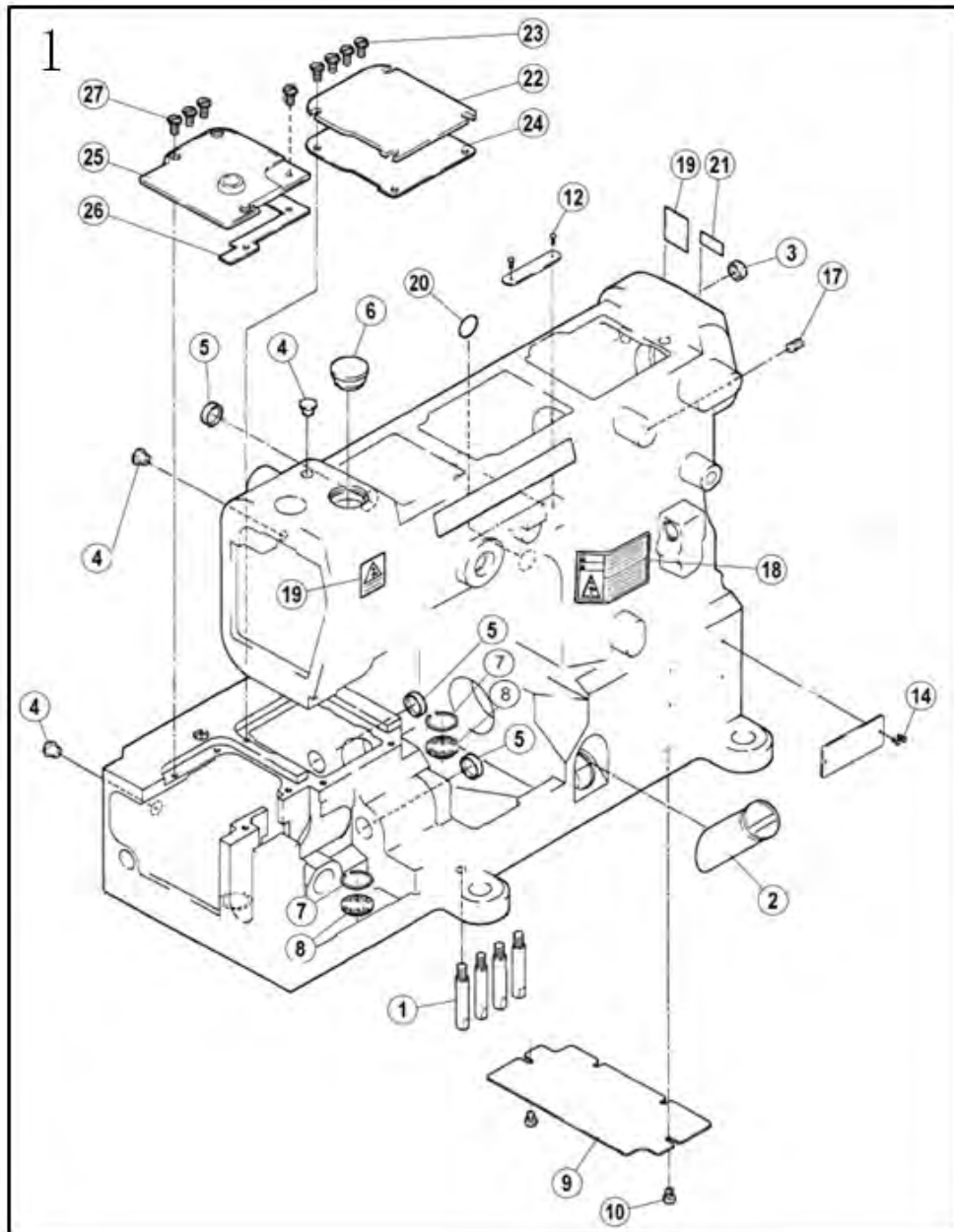
**PARTS LIST**

# CONTENTS

1. Casing parts.....	1
2. Housing components.....	3
3. Sewing table parts.....	5
4. Lower shaft parts.....	7
5. Upper shaft components .....	9
6. Needle bar parts .....	11
7. Needle guard parts .....	13
8. Needle bending parts .....	15
9. Rack parts .....	17
10. Differential components .....	19
11. Presser foot parts .....	21
12. Needle parts .....	23
13. Loose wire part.....	25
14. Wire passing parts .....	27
15. Thread cam parts.....	29
16. Oil supply parts (1).....	31
17. Oil supply parts (2).....	33
18. Components of silicone oil box device.....	35
19. Cable rack components .....	37
20. Oil pan bracket parts.....	39
21. Sewing table parts.....	41
22. 02bb special parts .....	43
23. 05 special parts (1) .....	45
24. 05 special parts (3) .....	47
25. 05 special parts (3) .....	49
26. 05 special parts (4) .....	51
27. 05 special parts (5) .....	53
28. 05 special parts (6) .....	55
29. 21bb special parts .....	57

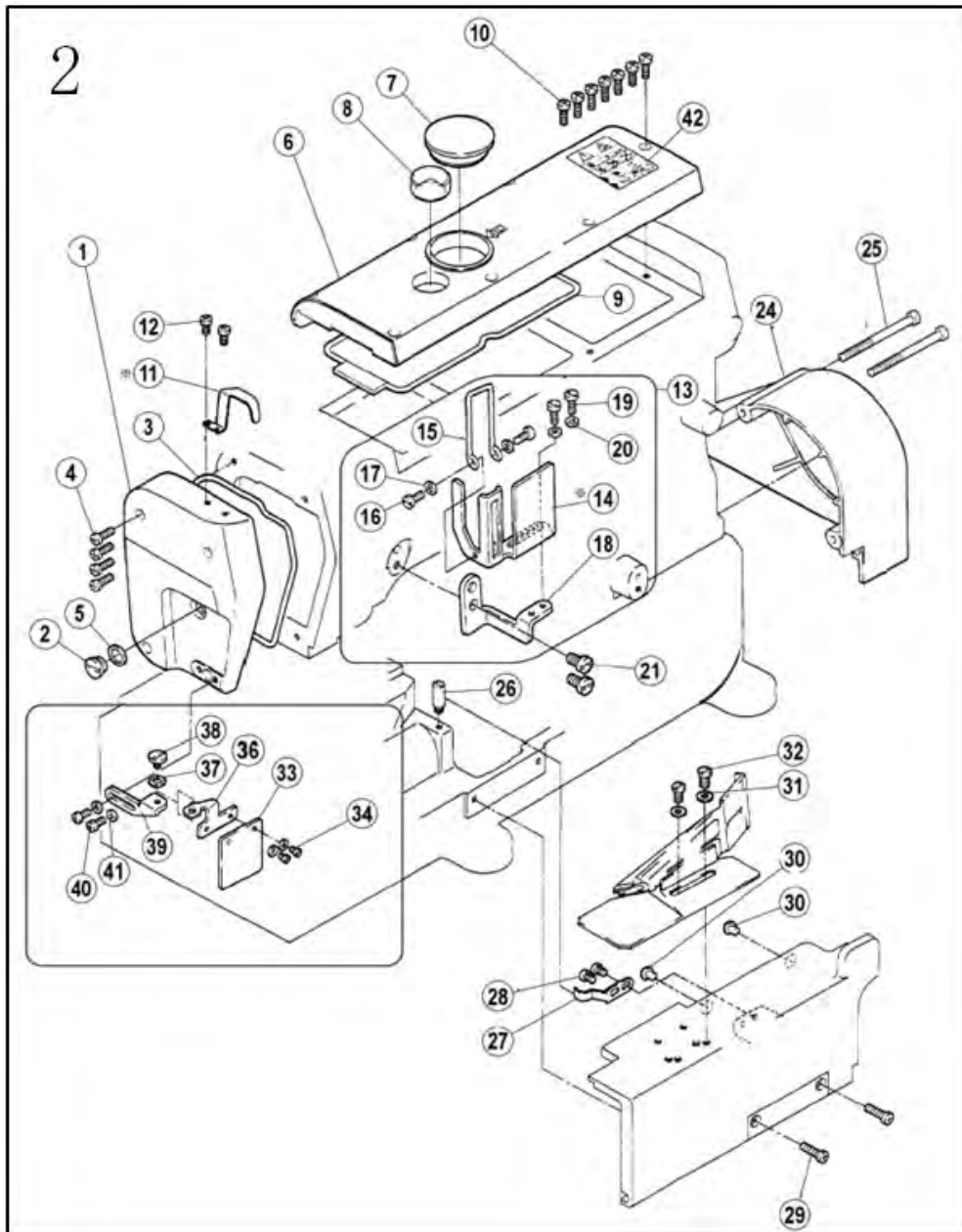
<b>30. FQ special parts.....</b>	<b>59</b>
<b>31. Accessory parts.....</b>	<b>61</b>
<b>32. Integrated motor parts .....</b>	<b>63</b>
<b>33. Split motor parts.....</b>	<b>65</b>
<b>34. LFE.....</b>	<b>67</b>
<b>35. UT.....</b>	<b>69</b>
<b>36. ST .....</b>	<b>71</b>
<b>37. WP.....</b>	<b>73</b>
<b>38. TT .....</b>	<b>75</b>
<b>39. Electric suction device for F1(JINBF3202635ABXFZZ).....</b>	<b>77</b>

# 1. Casing parts



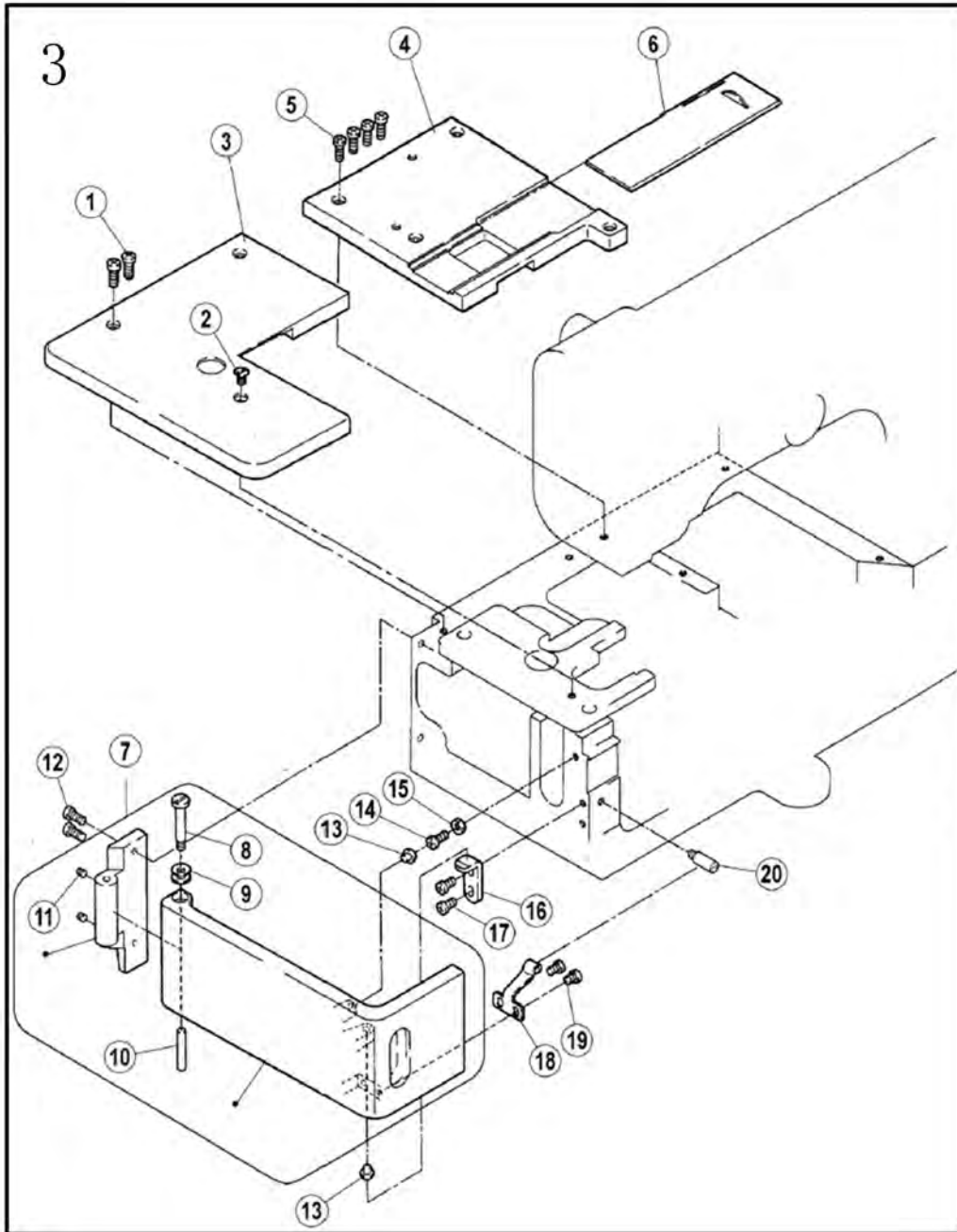
NO	CODE	NAME	Qty
1	JINBF31016250117	SHOULDER PIN	4
2	JINBF31016206590	OIL LEVEL GAUGE	1
3	JINBF31016240228	PLUG	1
4	JINBF31016240052	PLUG	4
5	JINBF800208173	PLUG	3
6	JINBF31016240110	PLUG	1
7	JINSCJ1031	RETAINING RING	2
8	JINBF31016124	FILTER	2
9	JINBF31016250020	COVER	1
10	JINBF310167018	SCREW	2
12	JINSCJ6071	PIN	2
13	JINSCJ6071	PIN	2
14	JINSCJ6071	PIN	2
17	JINPF1900A0204	SCREW	1
18	JINBZ3141	STICKER	1
19	JINBZ3126	CAUTION LABEL	2
20	JINBZ3147	STICKER	1
21	JINBZ3148	STICKER	1
22	JINBF31016250003	TOP COVER (RIGHT)	1
23	JINBF310167084	BOLT	5
24	JINBF31016250004	GASKET	1
25	JINBF31016250069	TOP COVER PLATE (LEFT)	1
26	JINBF31016250049	GASKET	1
27	JINBF310167082	SCREW	3

## 2. Housing components



NO	CODE	NAME	Qty
1	JINBF31016250016	ARM COVER (LEFT)	1
2	JINBF310165242	SCREW	1
3	JINBF31016250017	O RING	1
4	JINBF310167021	SCREW	4
5	JINBF31016240263	WASHER	1
6	JINBF31016250149	ARM COVER (TOP)	1
7	JINBF31016240226	PLUG	1
8	JINBF31016179107	OIL SIGHT WINDOW	1
9	JINBF31016250019	O RING	1
10	JINBF310167021	SCREW	7
11	JINBF31016250021	NEEDLE BAR GUARD	1
12	JINBF310167019	SCREW	2
13	JINBF31016250231-91	THREAD TAKE-UP GUARD ASSY.	1
14	JINBF31016250225	THREAD TAKE-UP GUARD	1
15	JINBF31016250226	FINGER GUARD	1
16	JINBF310167018	SCREW	2
17	JINBF31016303448	WASHER	2
18	JINBF31016250227	BRACKET	1
19	JINBF310167018	SCREW	2
20	JINBF31016303448	WASHER	2
21	JINBF310167052	SCREW	2
24	JINBF31016250022	PULLER COVER	1
25	JINBF310167075	SCREW	2
26	JINBF310167089	SCREW	1
27	JINBF31016250051	FLAT SPRING	1
28	JINBF310167018	SCREW	2
29	JINBF310167023	SCREW	2
30	JINBF310162100251	CUSHION	2
31	JINBF31016204585	WASHER	2
32	JINBF310167028	SCREW	2
33	JINBF31016250257	EYE GUARD	1
34	JINBF8007008	SCREW	2
36	JINBF31016250256	BRACKET	1
37	JINSCJ3016	WASHER	1
38	JINBF310167066	SCREW	1
39	JINBF31016250255	BRACKET	1
40	JINBF310167020	SCREW	2
41	JINBF31016303448	WASHER	2
42	JINBZ3123	STICKER	1

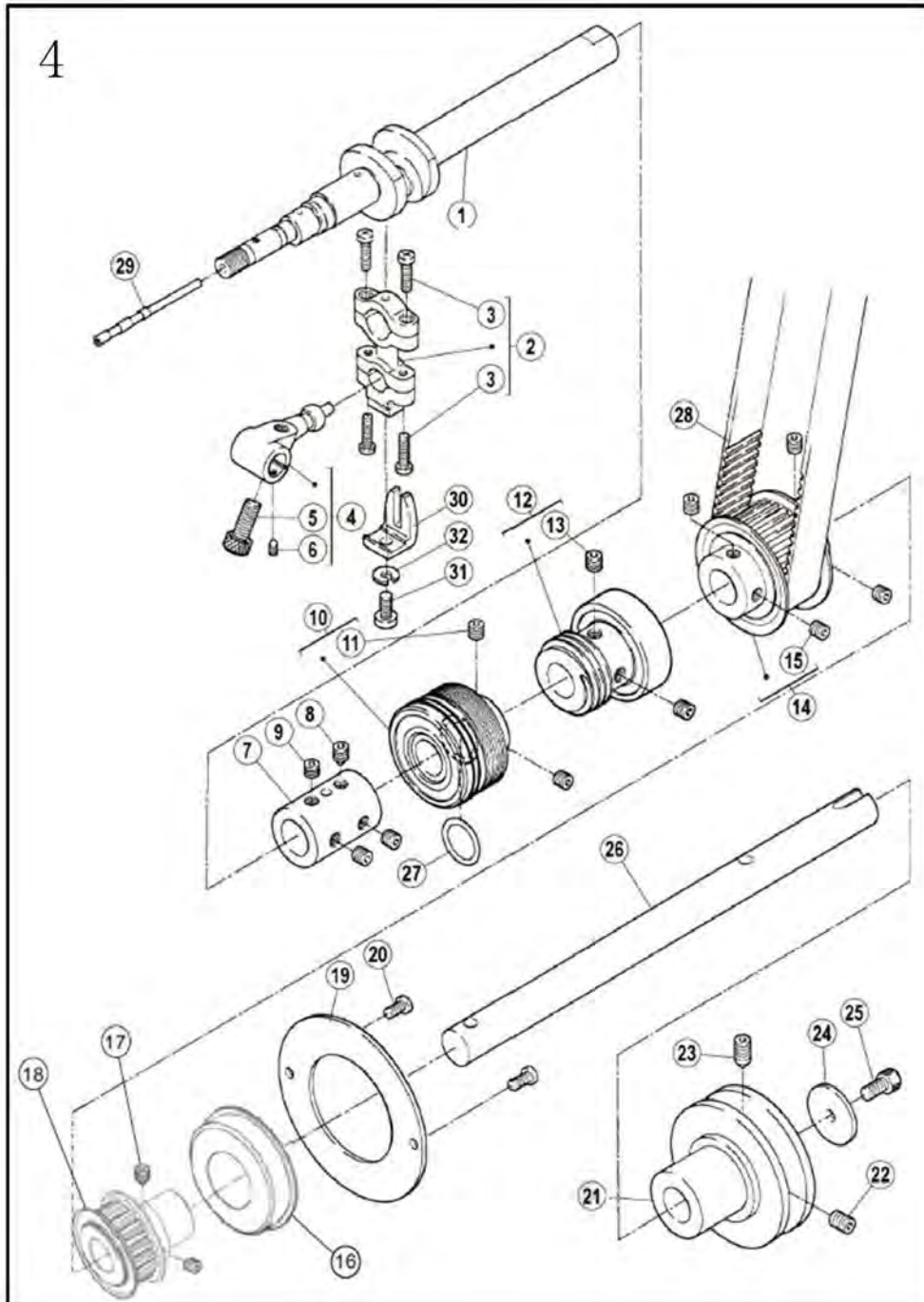
### 3. Sewing table parts





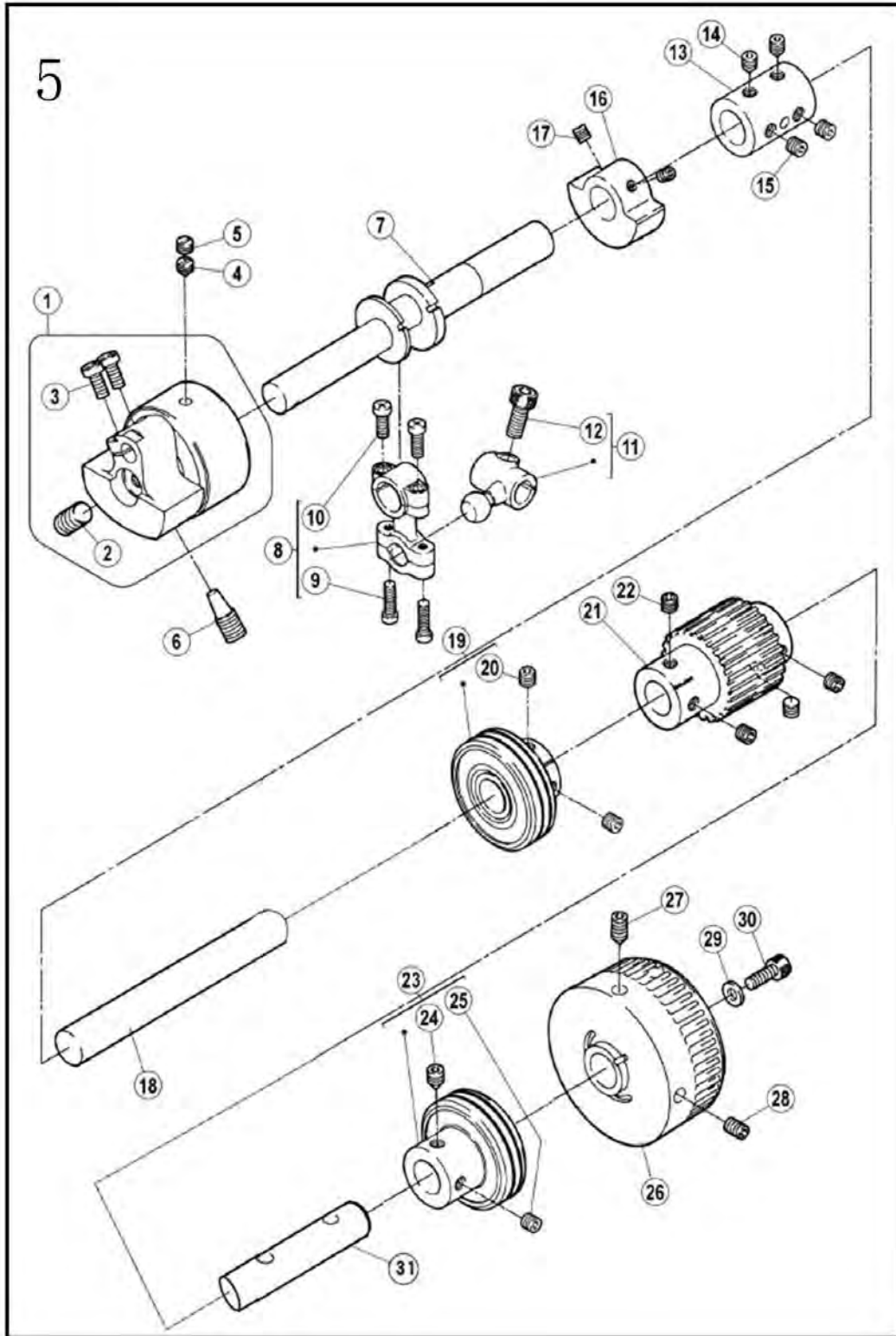
NO	CODE	NAME	Qty
1	JINBF310167021	SCREW	2
2	JINBF310167043	SCREW	1
3	JINBF31016250052	BED COVER (LEFT)	1
4	JINBF31016250074	BED COVER (RIGHT)	1
5	JINBF310167021	SCREW	4
6	JINBF31016250071	COVER	1
7	JINBF31016250039	SIDE COVER ASSY.	1
8	JINBF31016250037	SCREW	1
9	JINBF31016201191	SPRING	2
10	JINBF31016240198	PIN	1
11	JINBF310164535	SCREW	2
12	JINBF310167020	SCREW	2
13	JINBF310162100251	CUSHON	2
14	JINBF310167020	SCREW	1
15	JINBF310164821	NUT	1
16	JINBF31016250047	BRACKET	1
17	JINBF310167019	SCREW	2
18	JINBF31016206023	FLAT SPRING	1
19	JINBF310167018	SCREW	2
20	JINBF310167089	SCREW	1

#### 4. Lower shaft parts



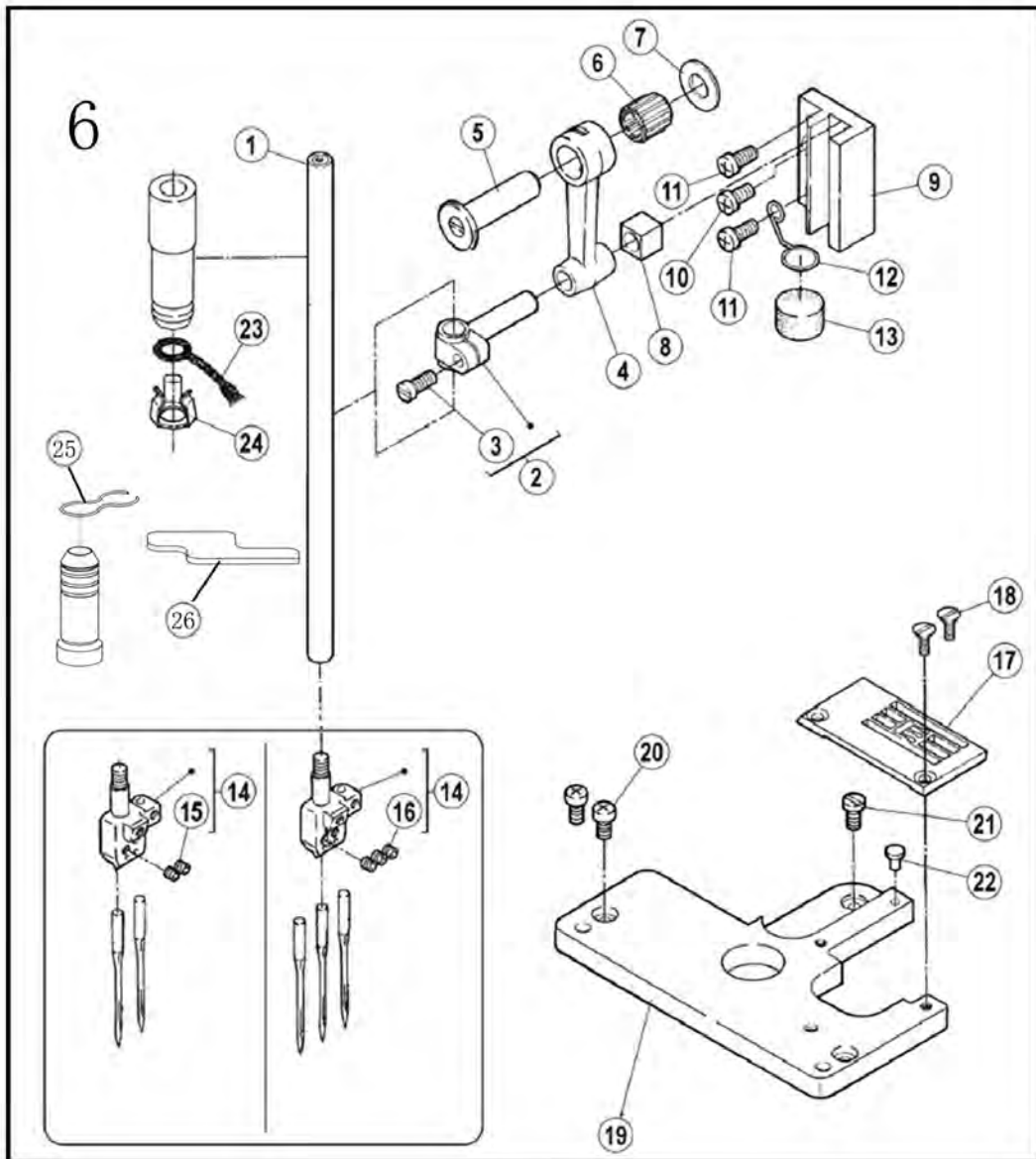
NO	CODE	NAME	Qty
1	JINBF31016250501B91	CRANKSHAFT ASSY.	1
2	JINBF3101625200992	CONNECTION ASSY.	1
3	JINBF7000412	SCREW	4
4	JINBF3101625200892	CRANK	1
5	JINBF310164534	BOLT	1
6	JINBF310164545	SCREW	1
7	JINBF31016250506	JOINT	1
8	JINBF310164555	SCREW	1
9	JINBF310164547	SCREW	3
10	JINBF31016250508	BUSHING	1
11	JINBF310164547	SCREW	2
12	JINBF31016250543	BUSHING	1
13	JINBF310164547	SCREW	2
14	JINBF31016011	GEAR (LOWER)	1
15	JINBF310164547	SCREW	4
16	JINBF310166304Z	BUSHING	1
17	JINBF8004538	SCREW	1
18	JINBF31016009	Synchronous wheel	1
19	JINBF31016250514	COVER	1
20	JINBF310167082	SCREW	2
21	JINBF31016250515A	MACHINE PULLER	1
22	JINBF310164541	SCREW	1
23	JINBF310164556	SCREW	1
24	JINBF31016240126	WASHER	1
25	JINBF310164500	BOLT	1
26	JINBF310162505071	SHAFT	1
27	JINBF31016206837	O RING	1
28	JINBF31016206050C	TIMING BELT	1
29	JINBF31016250525	ADJUSTING BAR	1
30	JINBF31016201074A	GUIDE	1
31	JINBF700S032	SCREW	1
32	JINBF31016202286	WASHER	1

## 5. Upper shaft components



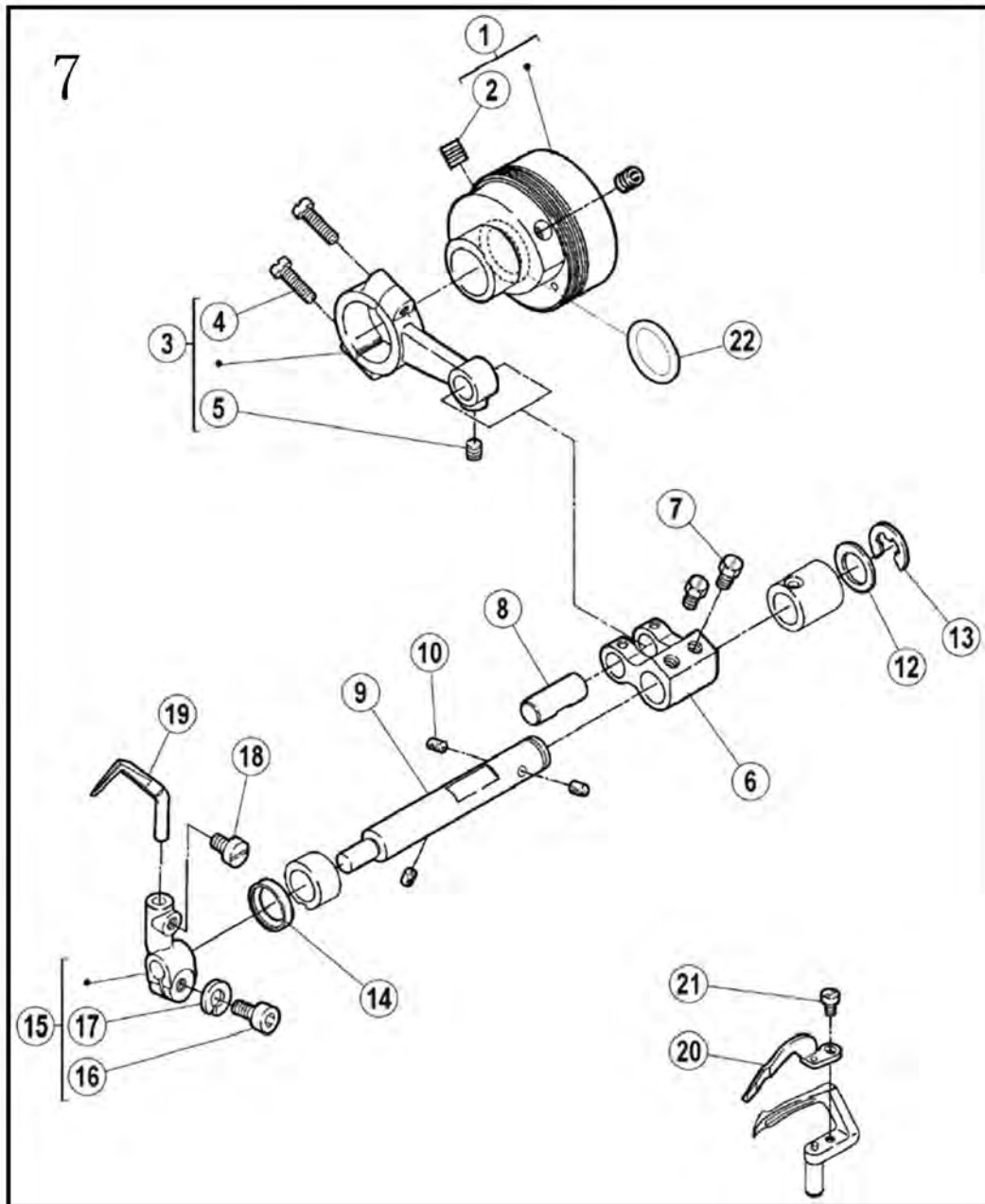
NO	CODE	NAME	Qty
4	JINBF310167153	SCREW	1
5	JINBF310167152	SCREW	1
6	JINBF310167268	SCREW	1
7	JINBF31016250517A	CRANKSHAFT	1
8	JINBF3101625350092	CONNECTION ASSY.	1
9	JINBF7000412	SCREW	2
10	JINBF7000412	SCREW	2
11	JINBF31016253501A	CRANK ASSY.	1
12	JINBF310164534	BOLT	1
13	JINBF31016250506	JOINT	1
14	JINBF310164555	SCREW	2
15	JINBF310164547	SCREW	2
16	JINBF31016250524	BALANCE WEIGHT	1
17	JINBF310164514	SCREW	2
18	JINBF31016250518	SHAFT	1
19	JINBF31016250529	BUSHING	1
20	JINBF310164547	SCREW	2
21	JINBF31016250521	GEAR (UPPER)	1
22	JINBF310164547	SCREW	4
23	JINBF31016250528	BUSHING	1
24	JINBF310164555	SCREW	1
25	JINBF310164547	SCREW	1
26	JINBF31016250523	HANDWHEEL	1
27	JINBF310164541	SCREW	1
28	JINBF310164556	SCREW	1
29	JINBF31016204585	WASHER	1
30	JINBF310164501	BOLT	1
31	JINBF31016250519	SHAFT	1

## 6. Needle bar parts



NO	CODE	NAME	Qty
1	JINBF31016251000	NEEDLE BAR	1
2	JINBF31016206061	NEEDLE BAR CLAMP	1
3	JINBF310167020	SCREW	1
4	JINBF31016206052	LINK/NEEDLE BAR DRIVE	1
5	JINBF31016206053	PIN	1
6	JINBF31016081212	NEEDLE BEARING	1
7	JINBF31016240101	WASHER	1
8	JINBF31016206063	BLOCK	1
9	JINBF31016206062	GUIDE BLOCK/NEEDLE BAR	1
10	JINBF310167020	SCREW	1
11	JINBF310167021	SCREW	2
12	JINBF31016251009	LATCH	1
13	JINBF3101617904005	SPONGE	1
14	JINBF31016257518	NEEDLE HOLDER	1
15	JINBF310164554	SCREW	2
16	JINBF310164554	SCREW	3
17	JINBF31016257018B56	NEEDLE PLATE	1
18	JINBF310165373	SCREW	2
19	JINBF31016251007	BRACKET	1
20	JINBF310167019	SCREW	2
21	JINBF310167082	SCREW	1
22	JINBF31016240123	CUSHON RUBBER	1
23	JINBF31016212186	OIL WICK	1
24	JINBF31016206524	OIL WICK RETAINER	1
25	JINBFBW1607	RING	1
26	JINBFBW1606	SPONGE	1

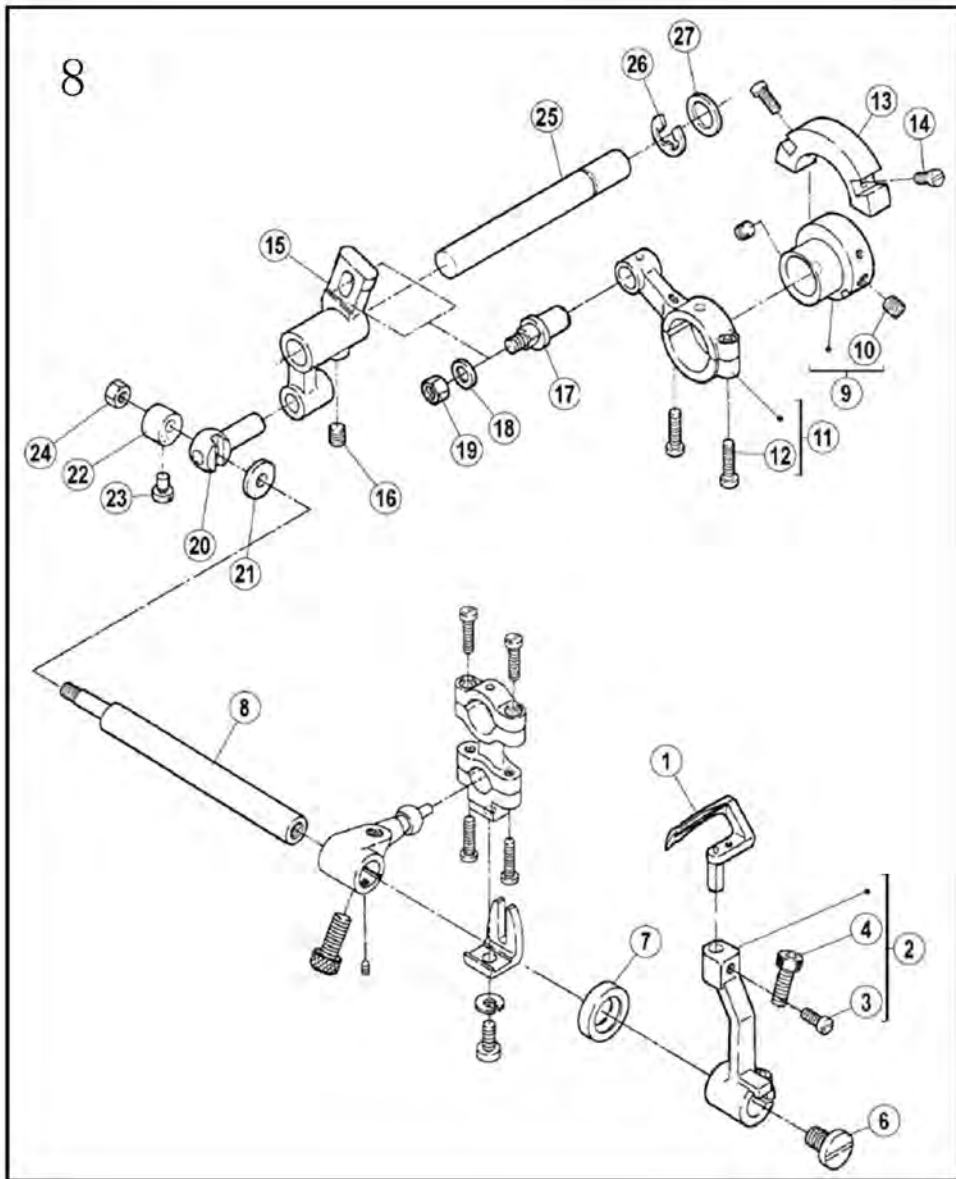
## 7. Needle guard parts





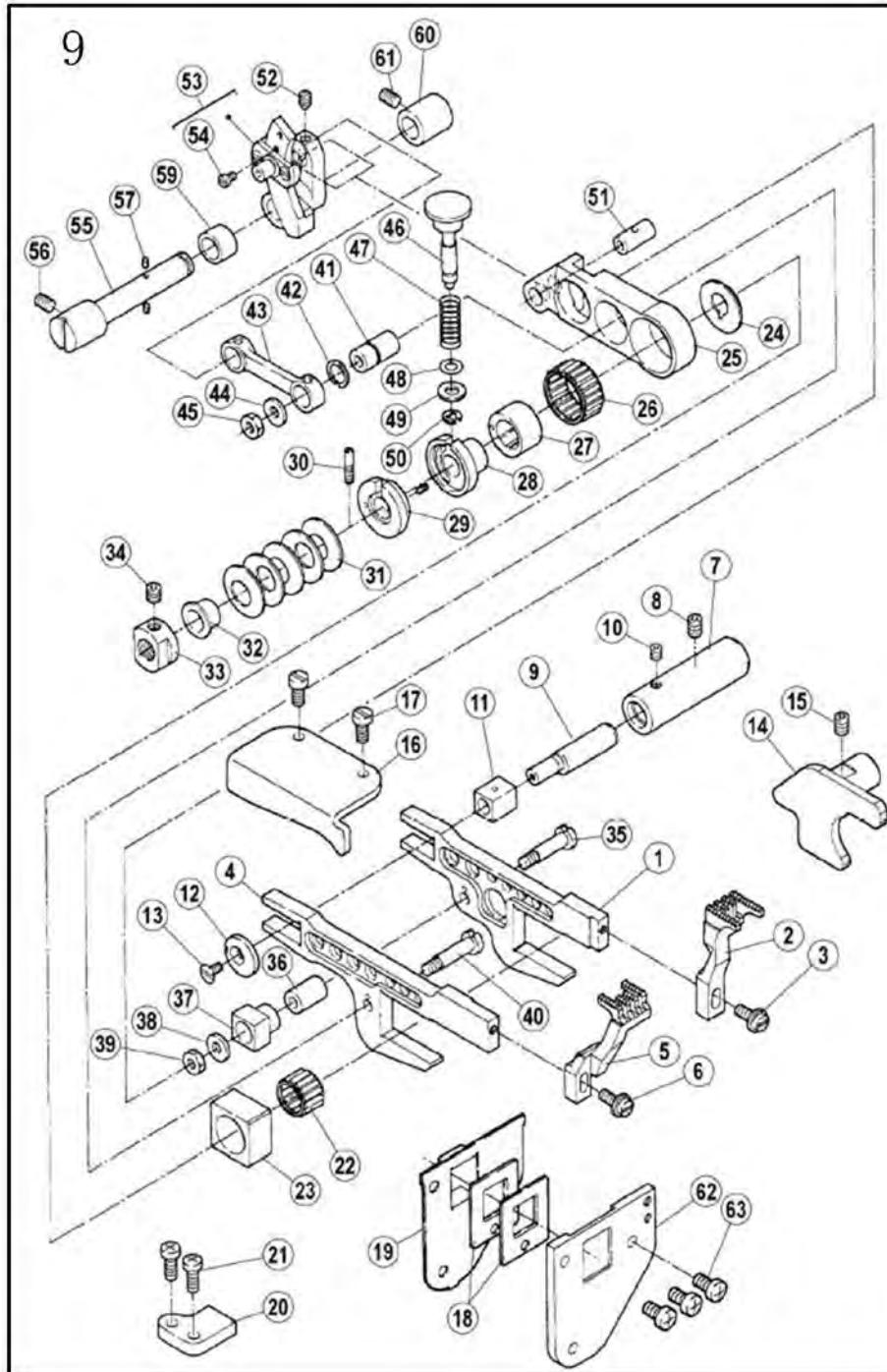
NO	CODE	NAME	Qty
1	JINBF31016251517	ECCENTRIC ASSY.	1
2	JINBF310164539	SCREW	2
3	JINBF31016255501	CONNECTION ASSY.	1
4	JINBF7000412	SCREW	2
5	JINBF310164543	SCREW	1
6	JINBF31016306093	CRANK	1
7	JINBF310165084	SCREW	2
8	JINBF31016205495	PIN	1
9	JINBF31016251518	SHAFT	1
10	/	/	/
12	JINBF31016240102	WASHER	1
13	JINSCJ1014	RING	1
14	JINBF31016204052	OIL SEAL	1
15	JINBF31016251519	LEVER ASSY.	1
16	JINBF310164500	BOLT	1
17	JINSCJ3003	WASHER	1
18	JINBF8007130	SCREW	1
19	JINBF31016257551B	NEEDLE GUARD (REAR)	1
20	JINBF31016257553	NEEDLE GUARD (FRONT)	1
21	JINBF310167031	SCREW	1
22	JINBF31016206837	O RING	1

## 8. Needle bending parts



NO	CODE	NAME	Qty
1	JINBF31016257550	LOOPER	1
2	JINBF310162520071	LOOPER HOLDER ASSY.	1
3	JINBF310167086	SCREW	1
4	JINBF310164501	SCREW	1
5	/	/	/
6	JINBF310167085	SCREW	1
7	JINBF700M83	OIL SEAL	1
8	JINBF31016252006	SHAFT	1
9	JINBF31016252000	ECCENTRIC ASSY.	1
10	JINBF310164539	SCREW	2
11	JINBF31016252001	CONNECTION ASSY.	1
12	JINBF7000412	SCREW	2
13	JINBF31016252010	BALANCE WEIGHT	1
14	JINBF310167011	SCREW	2
15	JINBF31016252002	CRANK	1
16	JINBF310164539	SCREW	1
17	JINBF31016179399	SCREW	1
18	JINBF310162400621	WASHER	1
19	JINBF310164805	NUT	1
20	JINBF31016252003	BLOCK PIN	1
21	JINBF31016208028	WASHER	1
22	JINBF31016208029	COLLAR	1
23	JINBF310167018	SCREW	1
24	JINBF310164802	NUT	1
25	JINBF31016252004	SHAFT	1
26	JINSCJ1012	RING	1
27	JINBF31016240102	WASHER	1

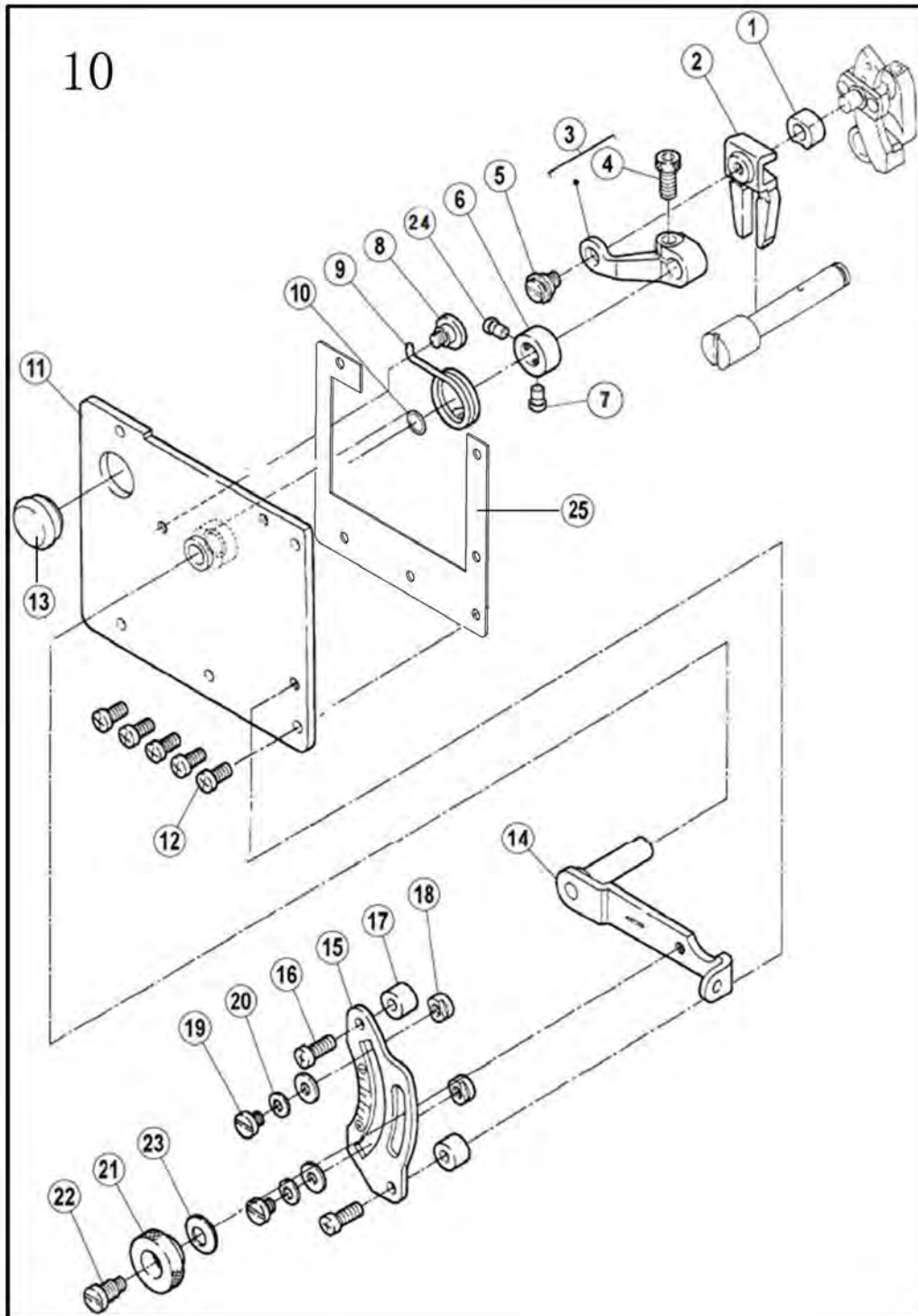
## 9. Rack parts



NO	CODE	NAME	Qty
1	JINBF31016252500	MAIN FEED BAR	1
2	JINBF31016257207	MAIN FEED DOG	1
3	JINBF700S100	SCREW	1
4	JINBF31016252500	DIFFERENTIAL FEED BAR	1
5	JINBF31016257259	DIFFERENTIAL FEED DOG	1
6	JINBF700S100	SCREW	1
7	JINBF700M1210	BUSHING	1
8	JINBF310164539	SCREW	1
9	JINBF31016204128	ECCENTRIC PIN	1
10	JINBF310164543	SCREW	1

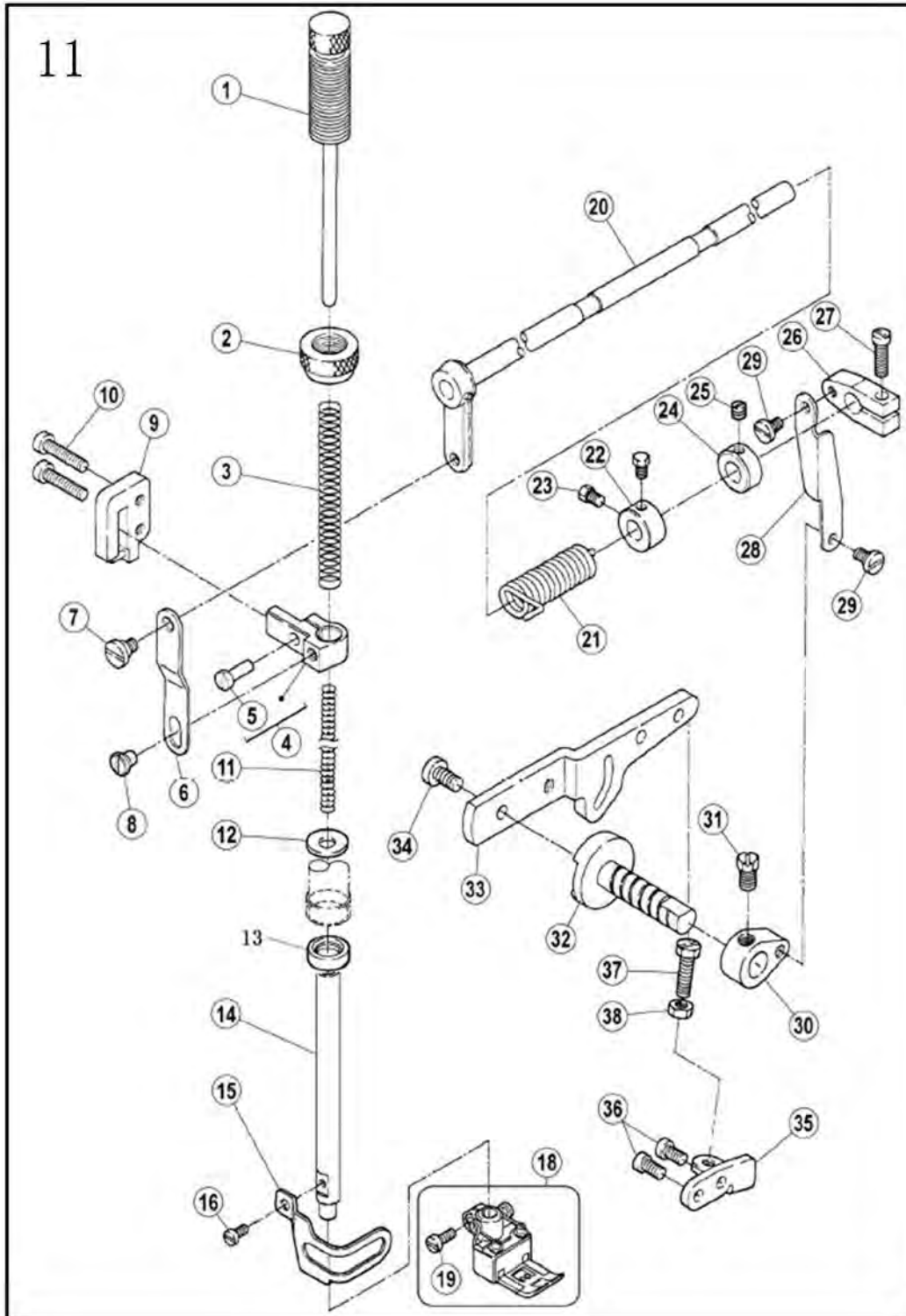
NO	CODE	NAME	Qty
11	JINBF31016205857	BLOCK/FEED BAR GUIDE	1
12	JINBF31016204439	WASHER	1
13	JINBF8007041	SCREW	1
14	JINBF31016252504	GUIDE (RIGHT)	1
15	JINBF310164539	SCREW	1
16	JINBF31016252507	GUIDE (LEFT)	1
17	JINBF310167019	SCREW	2
18	JINBF31016206133	OIL SHIELD	2
19	JINBF31016252509	COVER	1
20	JINBF31016252508	GUIDE (LOWER)	1
21	JINBF310167020	SCREW	2
22	JINBF31016172110	NEEDLE BEARING	1
23	JINBF31016252519	BLOCK	1
24	JINBF31016252520	WASHER	1
25	JINBF31016206562	LINK/MAIN FEED	1
26	JINBF700K121510	NEEDLE BEARING	1
27	JINBF31016252521	ECCENTRIC	1
28	JINBF31016252522	REGULATOR	1
29	JINBF31016252523	ECCENTRIC RETAINER	1
30	JINBF31016252516	SCREW	1
31	JINBF31016240125	SPRING	5
32	JINBF31016252525	SPACER	1
33	JINBF31016252543	NUT	1
34	JINBF310164514	SCREW	1
35	JINBF31016206120	SCREW	1
36	JINBF31016206119	BUSHING	1
37	JINBF31016206563	GUIDE BLOCK	1
38	JINBF31016200098	WASHER	1
39	JINBF310163044	NUT	1
40	JINBF31016206123	SCREW	1
41	JINBF31016206566	BUSHING	1
42	JINSCJ1031	RING	1
43	JINBF31016206564	LINK/DIFFERENTIAL FEED	1
44	JINBF31016200098	WASHER	1
45	JINBF310163044	NUT	1
46	JINBF31016252526	PIN	1
47	JINBF31016240122	SPRING	1
48	JINBF31016206366	O RING	1
49	JINBF31016204585	WASHER	1
50	JINSCJ1003	RING	1
51	JINBF31016206569	PIN	1
52	JINBF310164546	SCREW	1
53	JINBF31016252527	CRANK	1
54	/	/	/
55	JINBF31016252510	SHAFT	1
56	JINBF310164539	SCREW	1
57	/	/	/
59	JINBF31016240119	SPACER	1
60	JINBF31016958	BUSHING	1
61	JINBF310164539	SCREW	1
62	JINBF31016251520	BRACKET	1
63	JINBF310167019	SCREW	3

## 10. Differential components



<b>NO</b>	<b>CODE</b>	<b>NAME</b>	<b>Qty</b>
1	JINBF31016252531	BLOCK	1
2	JINBF31016252532	GUIDE/BLOCK	1
3	JINBF31016252533	LEVER	1
4	JINBF310164531	BOLT	1
5	JINBF310165316	SCREW	1
6	JINBF31016240271	COLLAR	1
7	JINBF3101619982	SCREW	1
8	JINBF310167066	SCREW	1
9	JINBF31016252536	SPRING	1
10	JINBF800240129	O RING	1
11	JINBF31016252539	BRACKET	1
12	JINBF310167019	SCREW	5
13	JINBF31016240162	PLUG	1
14	JINBF31016252664	LEVER ASSY.	1
15	JINBF31016252538	SCALE PLATE	1
16	JINBF310167021	SCREW	2
17	JINBF31016240124	SPACER	2
18	JINBF700M1123	STOPPER	2
19	JINBF310162905	SCREW	2
20	JINBF31016201185	WASHER	2
21	JINBF31016210167	THUMB NUT	1
22	JINBF310165486	SCREW	1
23	JINBF800211301	SPRING	1
24	JINBF31016199821	SCREW	1
25	JINBFBW1001	GASKET	1

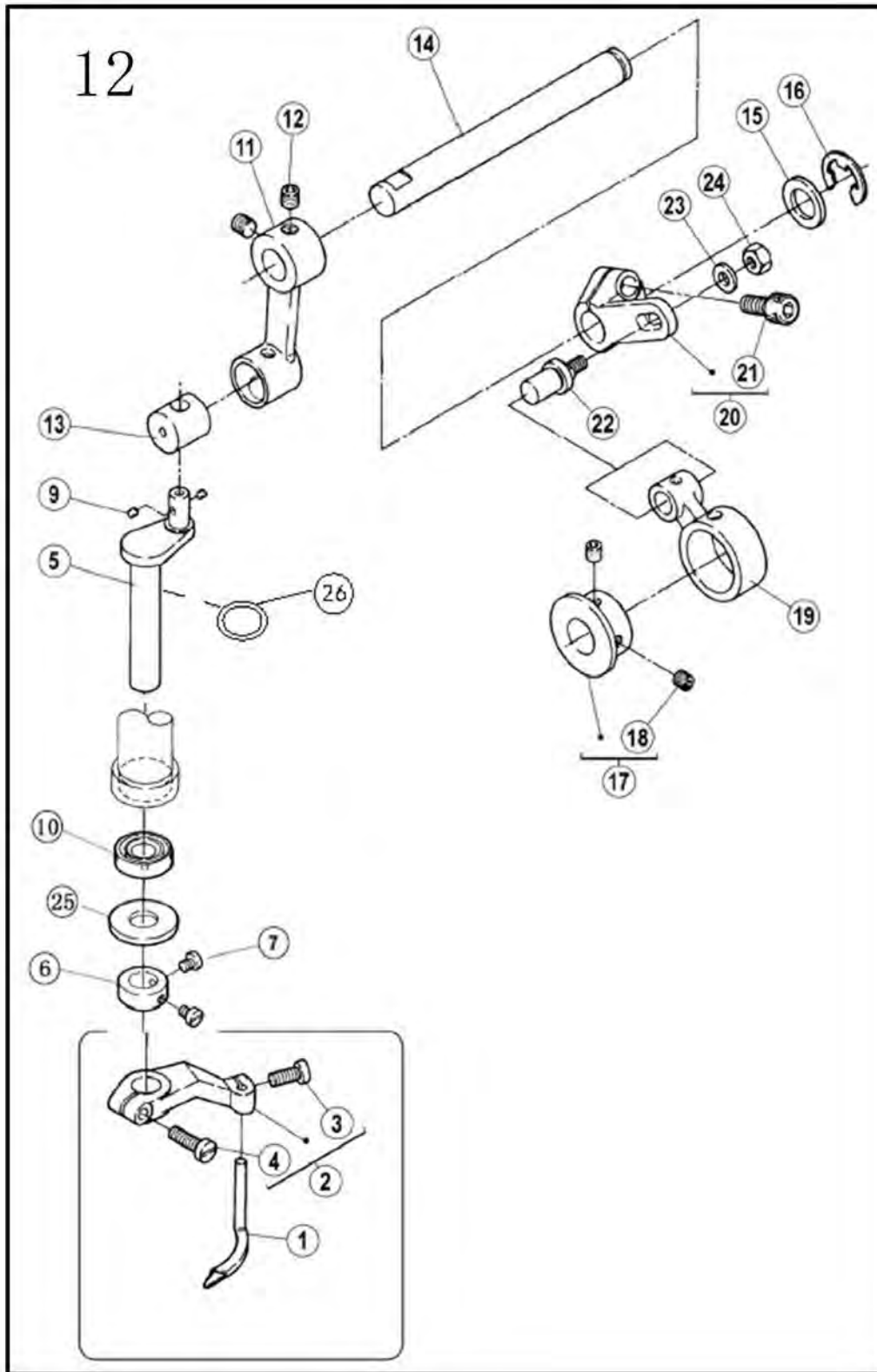
# 11. Presser foot parts





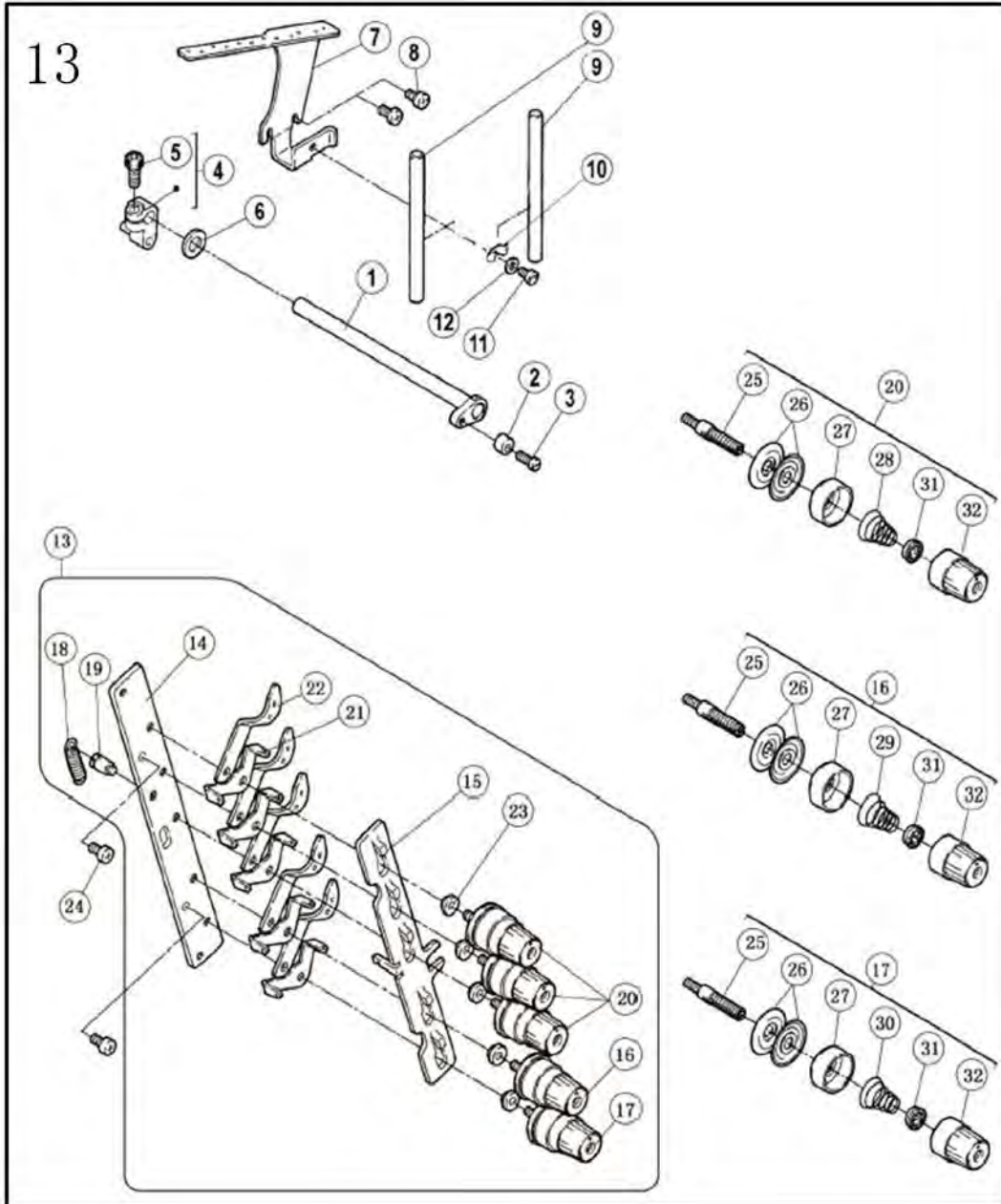
<b>NO</b>	<b>CODE</b>	<b>NAME</b>	<b>Qty</b>
1	JINBF31016253000	ADJUSTING BAR	1
2	JINBF31016253003	NUT	1
3	JINBF31016240112	SPRING	1
4	JINBF31016206139	PRESSER BAR CLAMP	1
5	JINBF310165118	SCREW	1
6	JINBF31016206157	LINK	1
7	JINBF310165386	SCREW	1
8	JINBF310165386	SCREW	1
9	JINBF31016253005	GUIDE ASSY.	1
10	JINBF310167025	SCREW	2
11	JINBF31016240113	SPRING	1
12	JINBF31016253018	OIL GUARD	1
13	JINBF31016240585	O RING	1
14	JINBF31016253004	PRESSER BAR	1
15	JINBF31016253028	FINGER GUARD	1
16	JINBF310167010	SCREW	1
18	JINBF31016257461	PRESSER FOOT ASSY.	1
19	JINBF3101611703	SCREW	1
20	JINBF31016253008	LEVER	1
21	JINBF31016253010	SPRING	1
22	JINBF31016206156	COLLAR	1
23	JINBF310165084	SCREW	2
24	JINBF31016192024	COLLAR	1
25	JINBF31016W00301	SCREW	1
26	JINBF31016206149	BELL CRANK (UPPER)	1
27	JINBF310165187	SCREW	1
28	JINBF31016253011	LINK	1
29	JINBF310165184	SCREW	2
30	JINBF31016206148	BELL CRANK (LOWER)	1
31	JINBF310162022	SCREW	1
32	JINBF31016253013	SHAFT	1
33	JINBF31016253014	LEVER	1
34	JINBF310167028	SCREW	1
35	JINBF31016253015	BRACKET	1
36	JINBF310167019	SCREW	2
37	JINBF310164549	BOLT	1
38	JINBF310164805	NUT	1

## 12. Needle parts



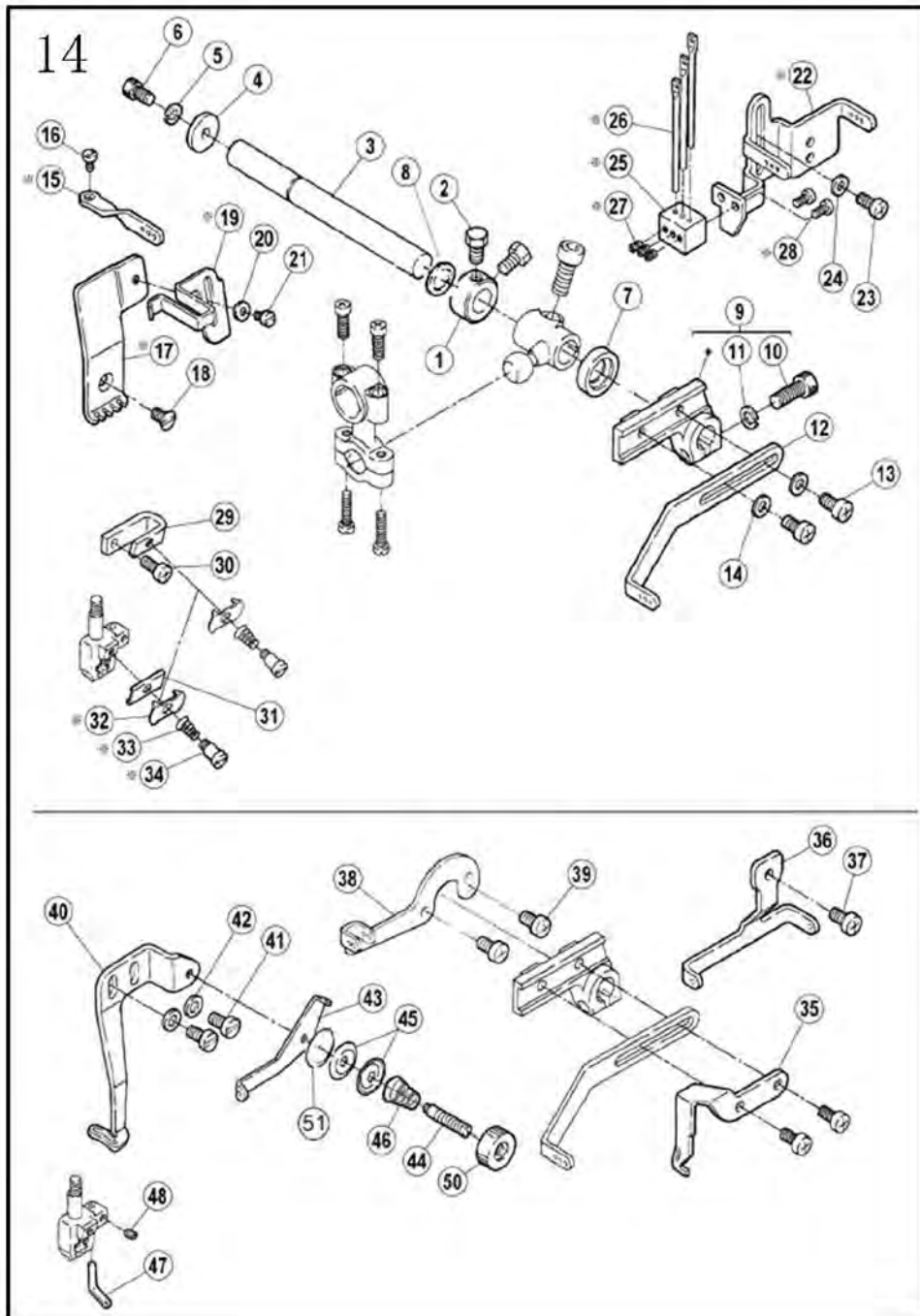
<b>NO</b>	<b>CODE</b>	<b>NAME</b>	<b>Qty</b>
1	JINBF31016257565	SPREADER	1
2	JINBF31016254516	LEVER/ASSY.	1
3	JINBF310167020	SCREW	1
4	JINBF310167022	SCREW	1
5	JINBF31016254508	CRANKSHAFT	1
6	JINBF31016212039	COLLAR	1
7	JINBF310167010	SCREW	2
9	/	/	/
10	JINBF700M83	O RING	1
11	JINBF31016254506	CRANK	1
12	JINBF310164547	SCREW	2
13	JINBF31016254507	BLOCK	1
14	JINBF31016254519	SHAFT	1
15	JINBF31016206180	WASHER	1
16	JINSCJ1014	RING	1
17	JINBF31016254501A	ECCENTRIC ASSY.	1
18	JINBF310164514	SCREW	2
19	JINBF31016254511	CONNECTION	1
20	JINBF31016254503	CRANK	1
21	JINBF310164534	BOLT	1
22	JINBF31016254504	SCREW	1
23	JINBF310162400621	WASHER	1
24	JINBF310164805	NUT	1
25	JINBF31016240584	WASHER	1
26	JINBF32026240017	O RING	1

### 13. Loose wire part



<b>NO</b>	<b>CODE</b>	<b>NAME</b>	<b>Qty</b>
1	JINBF31016254000	LEVER	1
2	JINBF31016254022	SPACER	1
3	JINBF310162133	SCREW	1
4	JINBF31016254003B	CRANK	1
5	JINBF310164531	BOLT	1
6	JINBF31016202868	WASHER	1
7	JINBF31016254008	THREAD GUIDE	1
8	JINBF310167019	SCREW	2
9	JINBF31016192120	PIPE	2
10	JINBF31016254009	BRACKET	1
11	JINBF310167018	SCREW	1
12	JINBF31016303448	WASHER	1
13	JINBF31016254023E-2	TENSION CONTROL MECHANISM	1
14	JINBF31016254019	BRACKET	1
15	JINBF31016254021	THREAD RELEASER	1
16	JINBF31016254010B9U	TENSION SPRING ASSY.	1
17	JINBF31016254010C9U	TENSION SPRING ASSY.	1
18	JINBF31016306301	SPRING	1
19	JINBF310165447	SCREW	1
20	JINBF31016254010A9U	TENSION SPRING ASSY.	3
21	JINBF31016254020	THREAD GUIDE	5
22	JINBF31016206203	THREAD GUIDE	5
23	JINBF31016206202	SPACER	5
24	JINBF310167019	SCREW	2
25	JINBF310161817-2A	SCREW STUD	5
26	JINBF31016210319	TENSION DISC	10
27	JINBF31016208450-UA	SPRING SHIELD	5
28	JINBF31016201037	SPRING (HEAVY)	3
29	JINBF31016201086	SPRING (MEDIUM)	1
30	JINBF31016201068	SPRING (LIFHT)	1
31	JINBF31016208448	RATCHET	5
32	JINBF31016208447-UA	KNOB	5

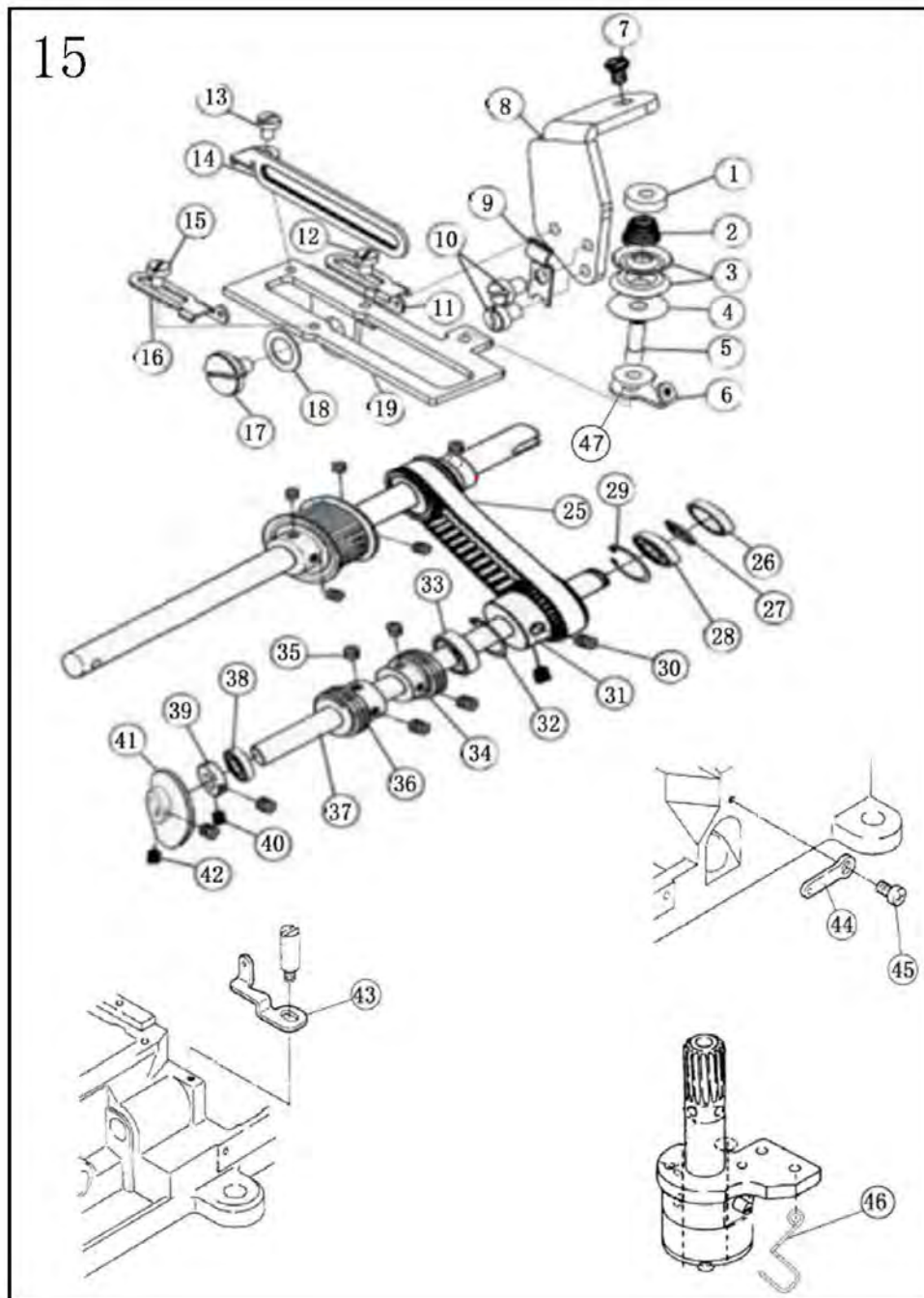
## 14. Wire passing parts



NO	CODE	NAME	Qty
1	JINBF31016240201	COLLAR	1
2	JINBF310165084	SCREW	2
3	JINBF31016253503	SHAFT	1
4	JINBF31016204107	WASHER	1
5	JINSCJ3001	WASHER	1
6	JINBF310164527	BOLT	1

NO	CODE	NAME	Qty
7	JINBF700M83	OIL SEAL	1
8	JINBF31016240102	WASHER	1
9	JINBF31016253504	LEVER	1
10	JINBF310164501	BOLT	1
11	JINSCJ3003	WASHER	1
12	JINBF31016253505	THREAD TAKE-UP	1
13	JINBF310167019	SCREW	2
14	JINBF31016303448	WASHER	2
15	JINBF31016253507	THREAD GUIDE	1
16	JINBF310167009	SCREW	1
17	JINBF31016253508	THREAD GUIDE	1
18	JINBF310167077	SCREW	1
19	JINBF31016253509	THREAD SUPPORT	1
20	JINBF31016202588	WASHER	1
21	JINBF8007008	SCREW	1
22	JINBF31016253544	THREAD GUIDE	1
23	JINBF310167019	SCREW	1
24	JINBF31016303448	WASHER	1
25	JINBF31016253545	HOLDER	1
26	JINBF31016234521	THREAD GUIDE	1
27	JINBF310164535	SCREW	1
28	JINBF310167010	SCREW	2
29	JINBF31016253516	THREAD TENSION BRACKET	1
30	JINBF310167019	SCREW	1
31	JINBF31016234561	THREAD GUIDE	1
32	JINBF31016253593	THREAD RETAINER	1
33	JINBF31016253517	SPRING	1
34	JINBF31016W90702	SCREW	1
35	JINBF31016253506	THREAD TAKE-UP	1
36	JINBF31016253515	THREAD GUIDE	1
37	JINBF310167019	SCREW	1
38	JINBF31016253514	THREAD GUIDE	1
39	JINBF310167019	SCREW	2
40	JINBF31016253548	THREAD GUIDE	1
41	JINBF310167019	SCREW	2
42	JINBF31016303448	WASHER	2
43	JINBF31016253547	THREAD GUIDE	1
44	JINBF310167167	SCREW	1
45	JINBF31016137108	THREAD RETAINER	2
46	JINBF31016211388	SPRING	1
47	JINBF31016253511	THREAD GUIDE	1
48	JINBF310164554	SCREW	1
50	JINBF31016275034	KNOB	1
51	JINBF310161371081	OILWool PAD	1

## 15. Thread cam parts

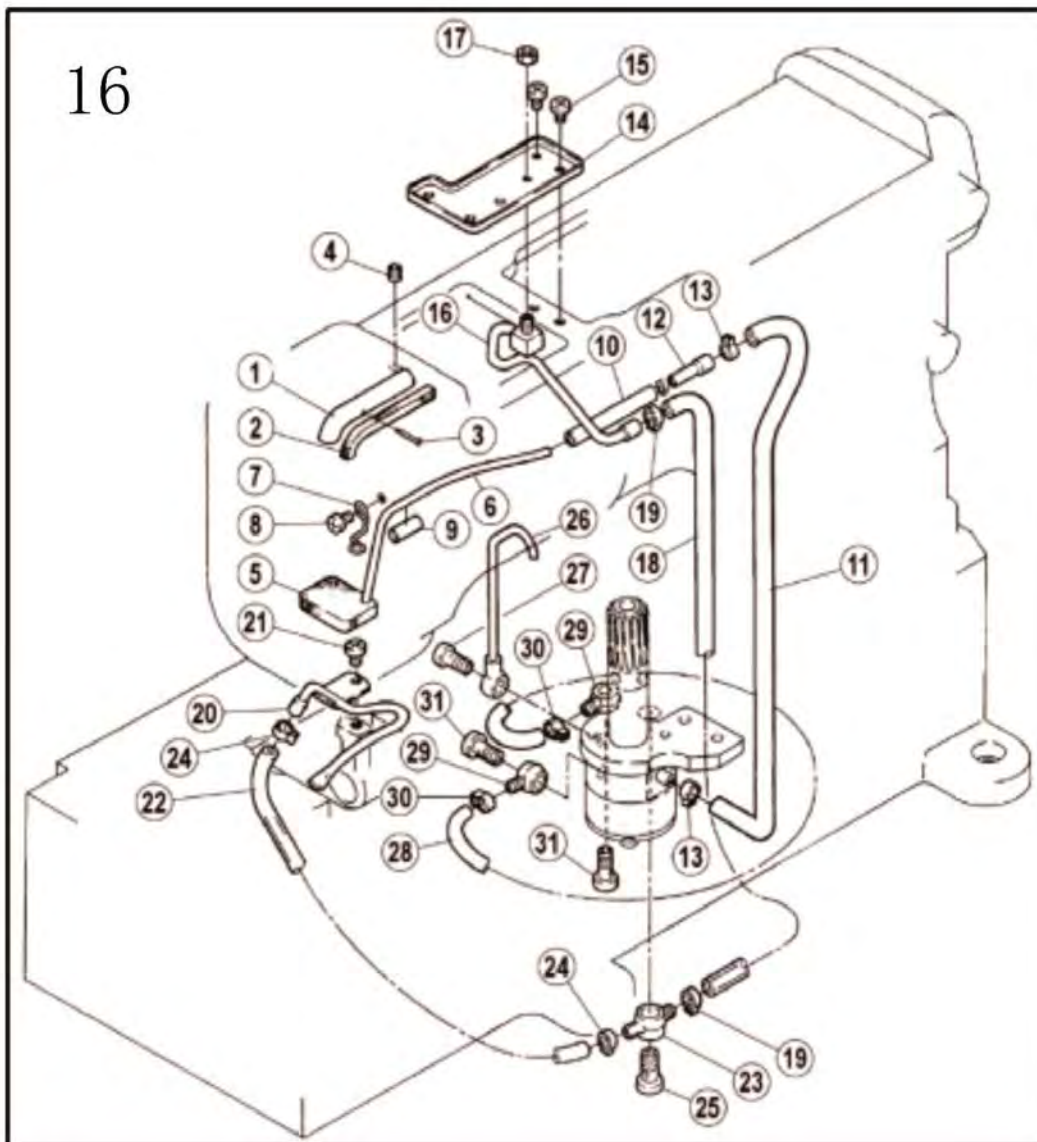


NO	CODE	NAME	Qty
1	JINBF31016275034	NUT	1
2	JINBF31016211388	SPRING	1
3	JINBF31016137108	TENSION DISC	2
4	JINBF310161371081	OILWOOL PAD	1
5	JINBF310167167	STUD	1



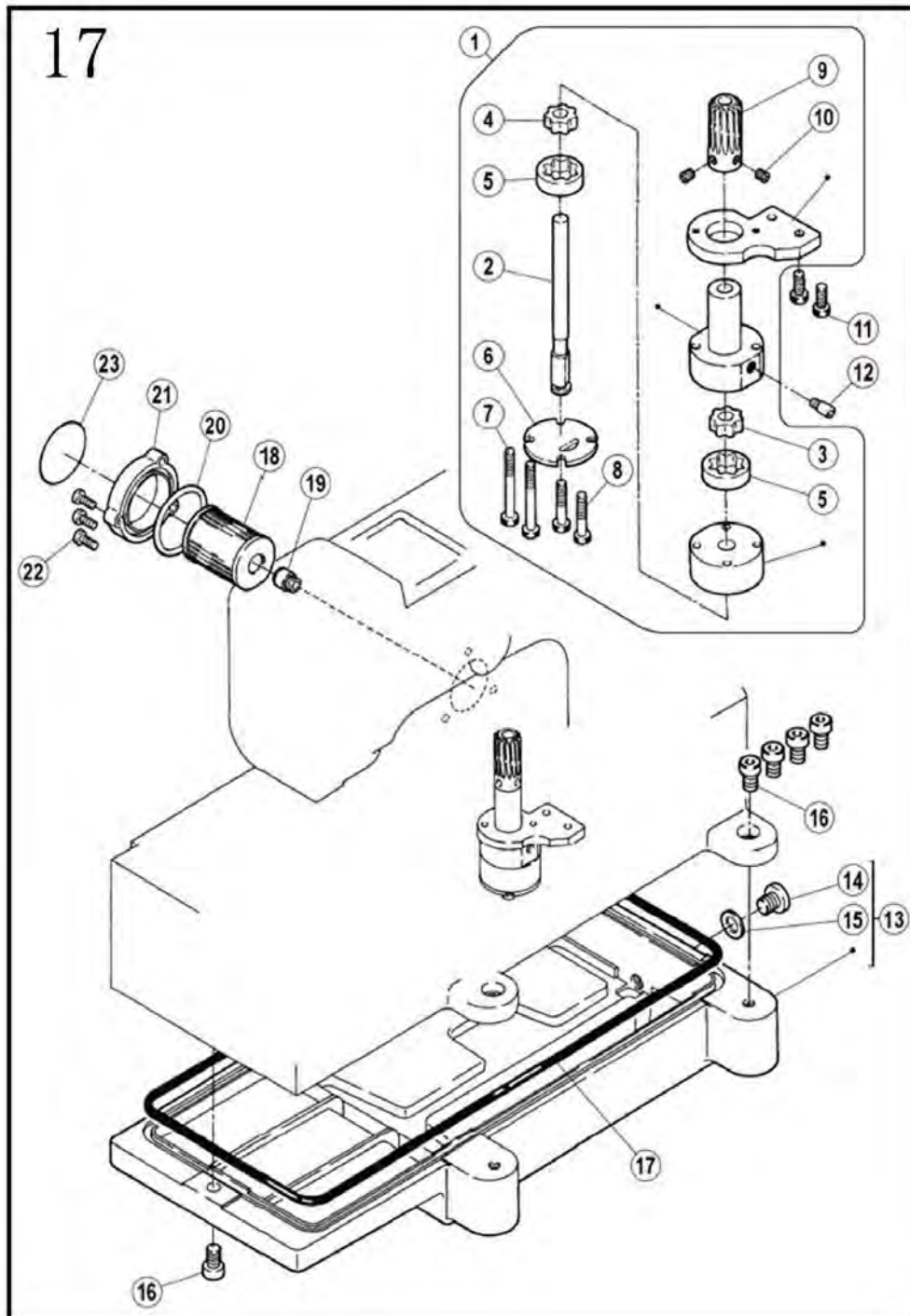
NO	CODE	NAME	Qty
6	JINBF31016015	Line CROSSING	1
7	JINBF310167018	SCREW	1
8	JINBF31016013	MOUNTING PLATE SEAT	1
9	JINBF31016014	CLIP SPRING	1
10	JINBF310167018	SCREW	2
11	JINBF31016005	Line CROSSING	1
12	JINBF8007008	SCREW	1
13	JINBF8007008	SCREW	1
14	JINBF31016003	SPLITTER	1
15	JINBF8007008	SCREW	1
16	JINBF31016004	Line CROSSING	1
17	JINBF700S0401	SCREW	1
18	JINSCJ3016	SHIM	1
19	JINBF31016002	CAM FRAME	1
25	JINBF3101680XL	TIMING BELT	1
26	JINBF310160121	OIL SEAL	1
27	JINSCJ1018	SNAP RING	1
28	JINBF310166001Z	BEARING	1
29	JINSCJ1026	SNAP RING	1
30	JINBF310164514	SCREW	2
31	JINBF31016008	SYNCHRONOUS WHEEL	1
32	JINSCJ1026	SNAP RING	1
33	JINBF310166001Z	BEARING	1
34	JINBF31016007	AXLE SLEEVE	1
35	JINPF1790S0330	SCREW	2
36	JINBF31016006	AXLE SLEEVE	1
37	JINBF31016001	AXIS	1
38	JINBF310166801Z	BEARING	1
39	JINBF889240308	RETAINING RING	1
40	JINBF310164554	SCREW	2
41	JINBF31016WGDXTL	THREAD CamM	1
42	JINBF310164514	SCREW	2
43	JINBF31016253615	LINE CROSSING	1
44	JINBF31016253536	LINE CROSSING	1
45	JINBF310167018	SCREW	1
46	JINBF31016PYGKH	SNAP RING	1
47	JINSCJ3024	SHIM	1

## 16. Oil supply parts (1)



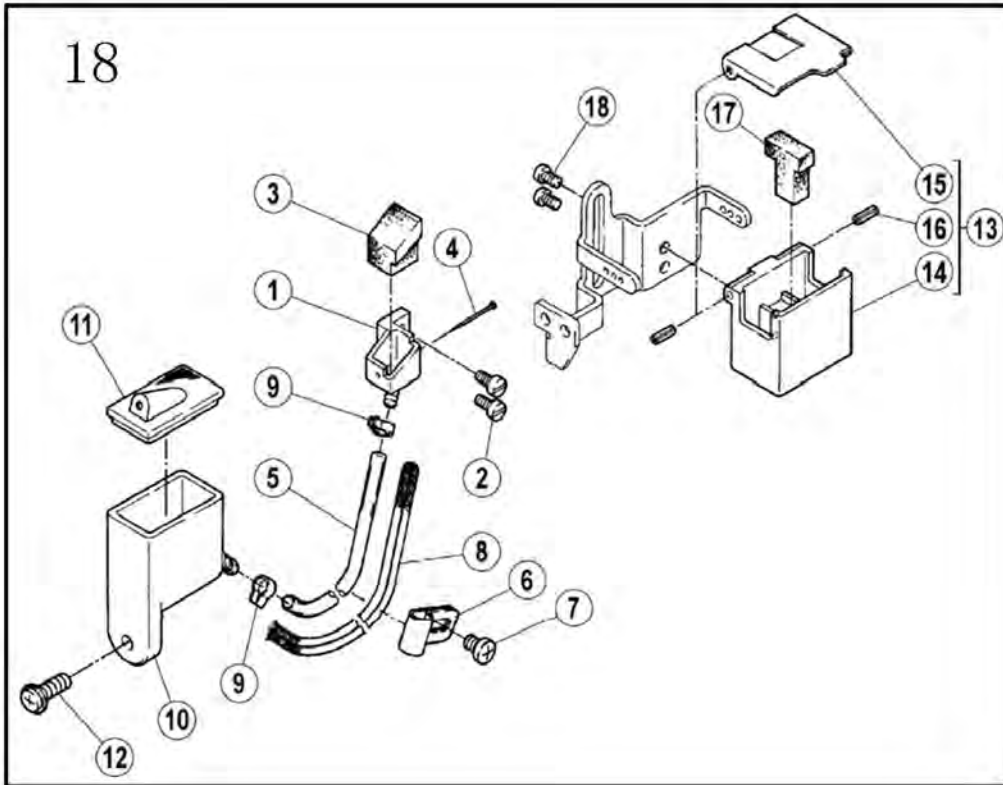
NO	CODE	NAME	Qty
1	JINBF31016255003	OIL PIPE	1
2	JINBF31016240136	FELT	1
3	JINSCJ6029	PIN	1
4	JINBF310164514	SCREW	1
5	JINBF31016255021	FELT	1
6	JINBF31016255039	PIPE	1
7	JINBF31016255005	LATCH	1
8	JINBF310167018	SCREW	1
9	JINBF31016240143	TUBE	1
10	JINSCJ5010	TUBE	1
11	JINSCJ5012	TUBE	1
12	JINBF31016255038	JOINT	1
13	JINBF31016202199	CLAMP	2
14	JINBF31016255006	OIL GUARD	1
15	JINBF310167018	SCREW	2
16	JINBF31016255007	OIL DISTRIBUTOR	1
17	JINBF310164821	NUT	1
18	JINSCJ5012	TUBE	1
19	JINBF31016202199	CLAMP	2
20	JINBF31016255010	OIL DISTRIBUTOR	1
21	JINBF310167018	SCREW	1
22	JINSCJ5012	TUBE	1
23	JINBF310162001364	JOINT	1
24	JINBF31016202199	CLAMP	2
25	JINBF31016200152A	JOINT SCREW	1
26	JINBF31016255035	PIPE	1
27	JINBF31016255037	JOINT SCREW	1
28	JINSCJ5012	TUBE	1
29	JINBF310162001363	JOINT	2
30	JINBF31016202199	CLAMP	2
31	JINBF31016200152A	JOINT SCREW	2

## 17. Oil supply parts (2)



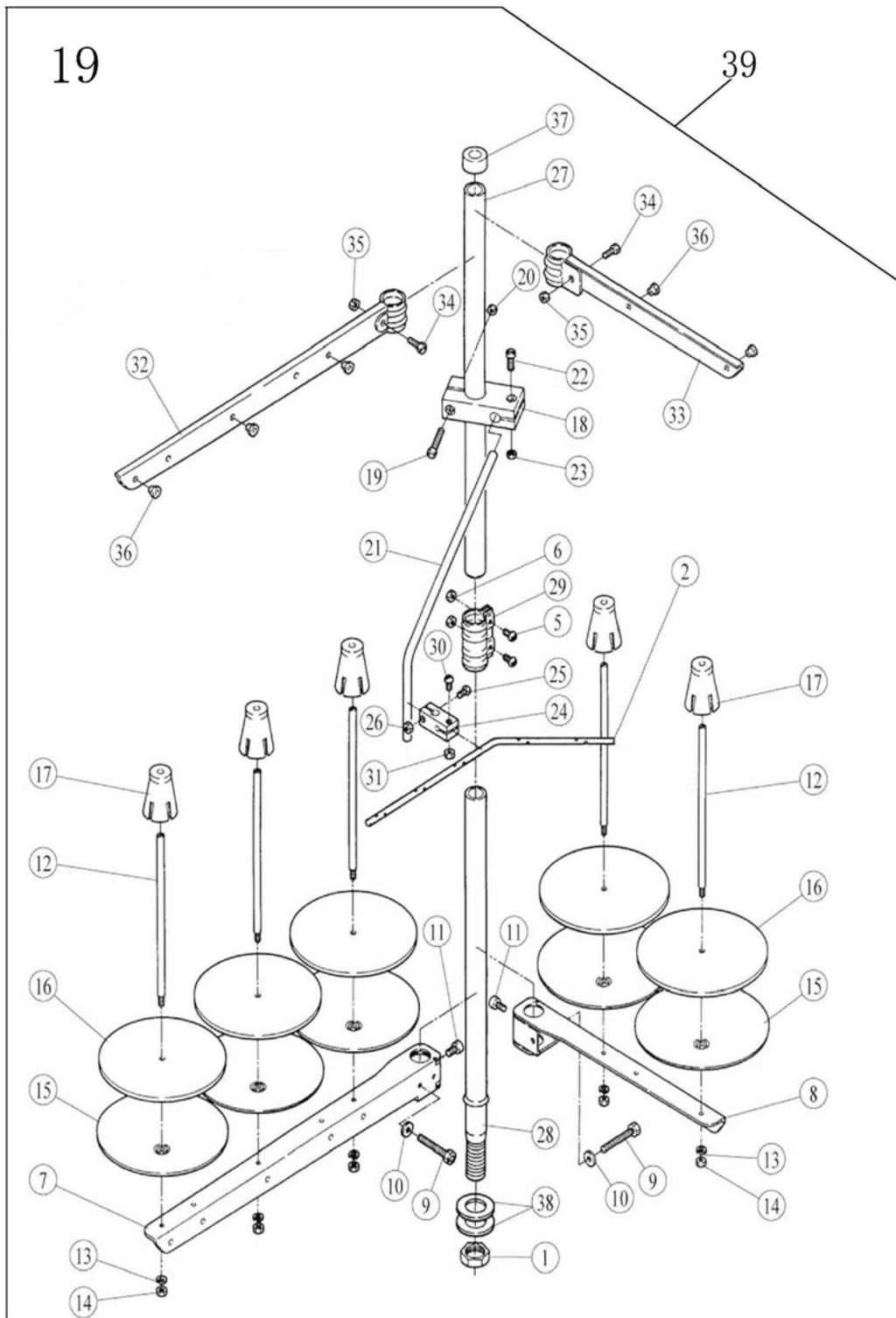
NO	CODE	NAME	Qty
1	JINBF31016255040	OIL PUMP ASSY.	1
2	JINBF31016255024	SHAFT	1
3	JINBF31016255025	ROTOR	1
4	JINBF31016255026	ROTOR	1
5	JINBF31016255027	ROTOR	2
6	JINBF31016255028	COVER	1
7	JINBF310167105	SCREW	2
8	JINBF310167026	SCREW	2
9	JINBF31016255019	WORM WHEEL	1
10	JINBF310164514	SCREW	2
11	JINBF310164531	BOLT	2
12	JINBF31016200152A	JOINT SCREW	1
13	JINBF31016255000	OIL RESERVOIR	1
14	JINBF8005318B	SCREW	1
15	JINBF800202287A	WASHER	1
16	JINBF310164504	BOLT	5
17	JINBF31016255001	O RING	1
18	JINBF700M156	FILTER ELEMENT	1
19	JINBF31016210200	BRACKET/FILTER ELEMENT	1
20	JINBF31016206431	O RING	1
21	JINBF31016210201	COVER	1
22	JINBF310167021	SCREW	3
23	JINBZ3153	FILTER SEAL	1

## 18. Components of silicone oil box device



NO	CODE	NAME	Qty
1	JINBF31016255013	NEEDLE COOLER (LOWER)	1
2	JINBF310167010	SCREW	2
3	JINBF31016255014	FELT	1
4	JINSCJ6029	PIN	1
5	JINSCJ5010	TUBE	1
6	JINBF31016206115	BRACKET	1
7	JINBF310167018	SCREW	1
8	JINBF31016202175	OIL WICK	1
9	JINBF31016202199	CLAMP	2
10	JINBF31016255015	SILICONE OIL RESERVOIR (LOWER)	1
11	JINBF31016255016	CAP	1
12	JINBF310167020	SCREW	1
13	JINBF31016303448	WASHER	1
14	JINBF31016207066	SILICONE OIL RESERVOIR (UPPER)	1
15	JINBF31016207067	CAP	1
16	JINBF31016206781	PIN	2
17	JINBF31016207068	FELT	1
18	JINBF310165053-1	SCREW	2

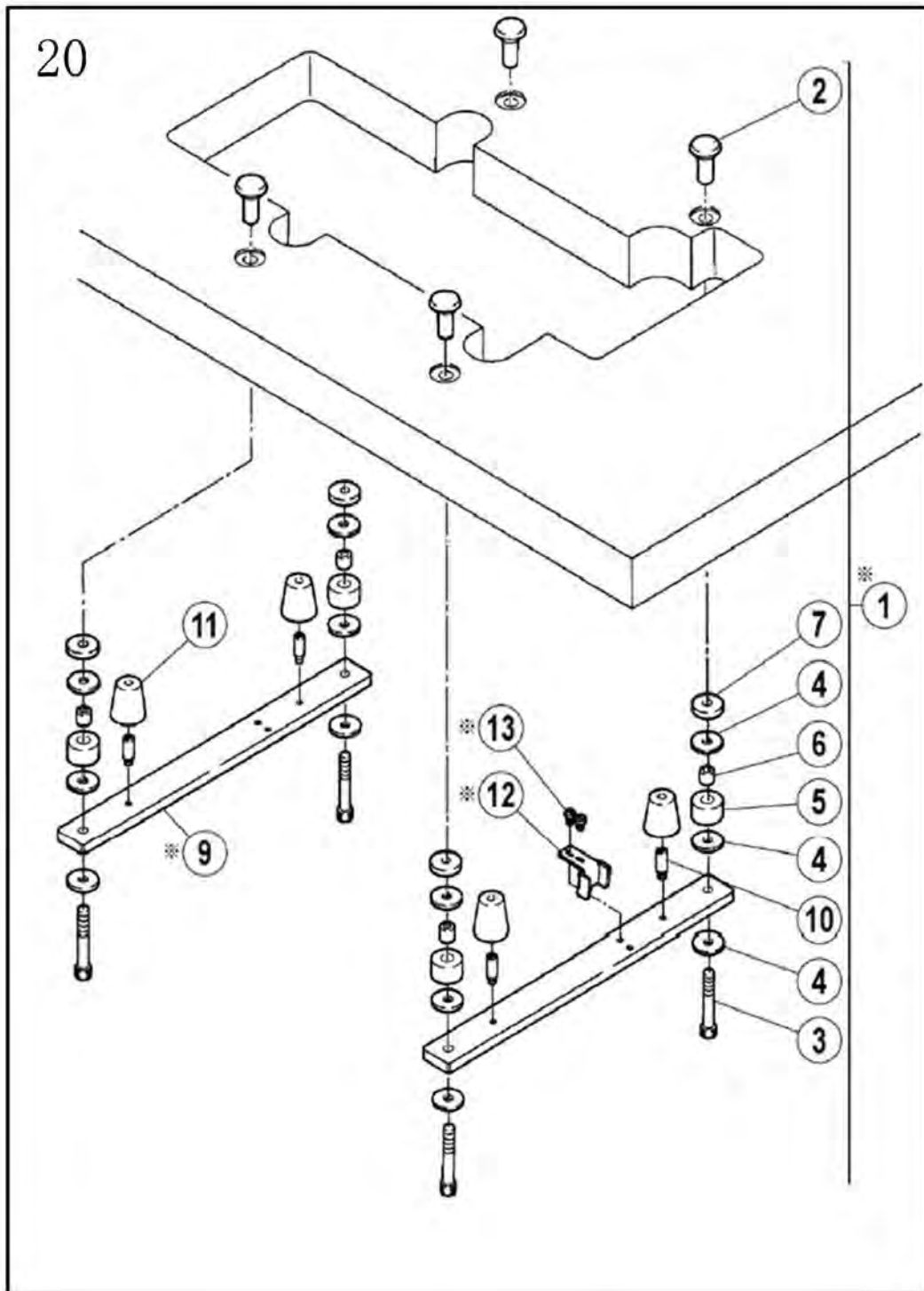
# 19. Cable rack components





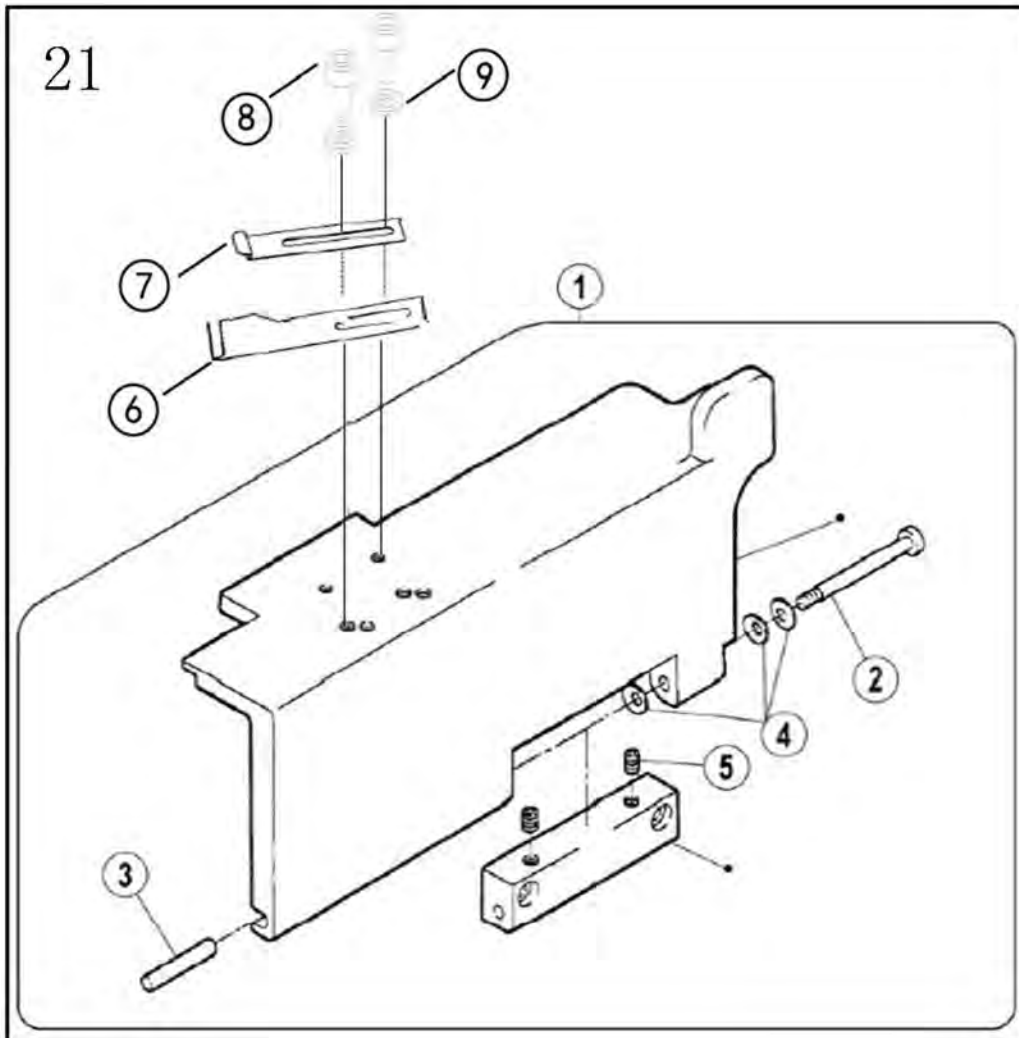
<b>NO</b>	<b>CODE</b>	<b>NAME</b>	<b>Qty</b>
1	JINBF8894835	Nut	1
2	JINBF889293A	Thread Guide (5-Spool)	1
3	/	/	/
4	/	/	/
5	JINBF8894021	Screw	2
6	JINBF8894067	Nut	2
7	JINBF889505-PA	Thread Hanger	1
8	JINBF889505APA	Thread Hanger	1
9	JINBF8897102	Screw	2
10	JINBF889512	Washer	2
11	JINBF8894022	Screw	2
12	JINBF889380A	Spool Pin	6
13	JINBF889201252	Spring Washer	6
14	JINBF8894803	Nut	6
15	JINBF889381-PA	Spool Seat Disc	6
16	JINBF889507	Spool Mat	6
17	JINBF889382-PA	Spool Cushion	6
18	JINBF889383-PA	Holder	1
19	JINBF8894014	Screw	1
20	JINBF8894803	Nut	1
21	JINBF889384	Thread Guide Arm	1
22	JINBF8894012	Screw	1
23	JINBF8894803	Nut	1
24	JINBF889233-PA	Holder	1
25	JINBF8894012	Screw	1
26	JINBF8894803	Nut	1
27	JINBF889502-PA	Column Pipe (Upper)	1
28	JINBF889503-PA	Column Pipe (Lower)	1
29	JINBF889504-PA	Joint	1
30	JINBF8894012	Screw	1
31	JINBF8894803	Nut	1
32	JINBF889527-PA	Thread Hanger	1
33	JINBF889527APA	Thread Hanger	1
34	JINBF8894021	Screw	2
35	JINBF8894067	Nut	2
36	JINBF889506	Thread Eyelet	6
37	JINBF889386	Rod Cap	1
38	JINBF889509	Washer	2
39	JINBF7005M17	Thread Stand Component	1

## 20. Oil pan bracket parts



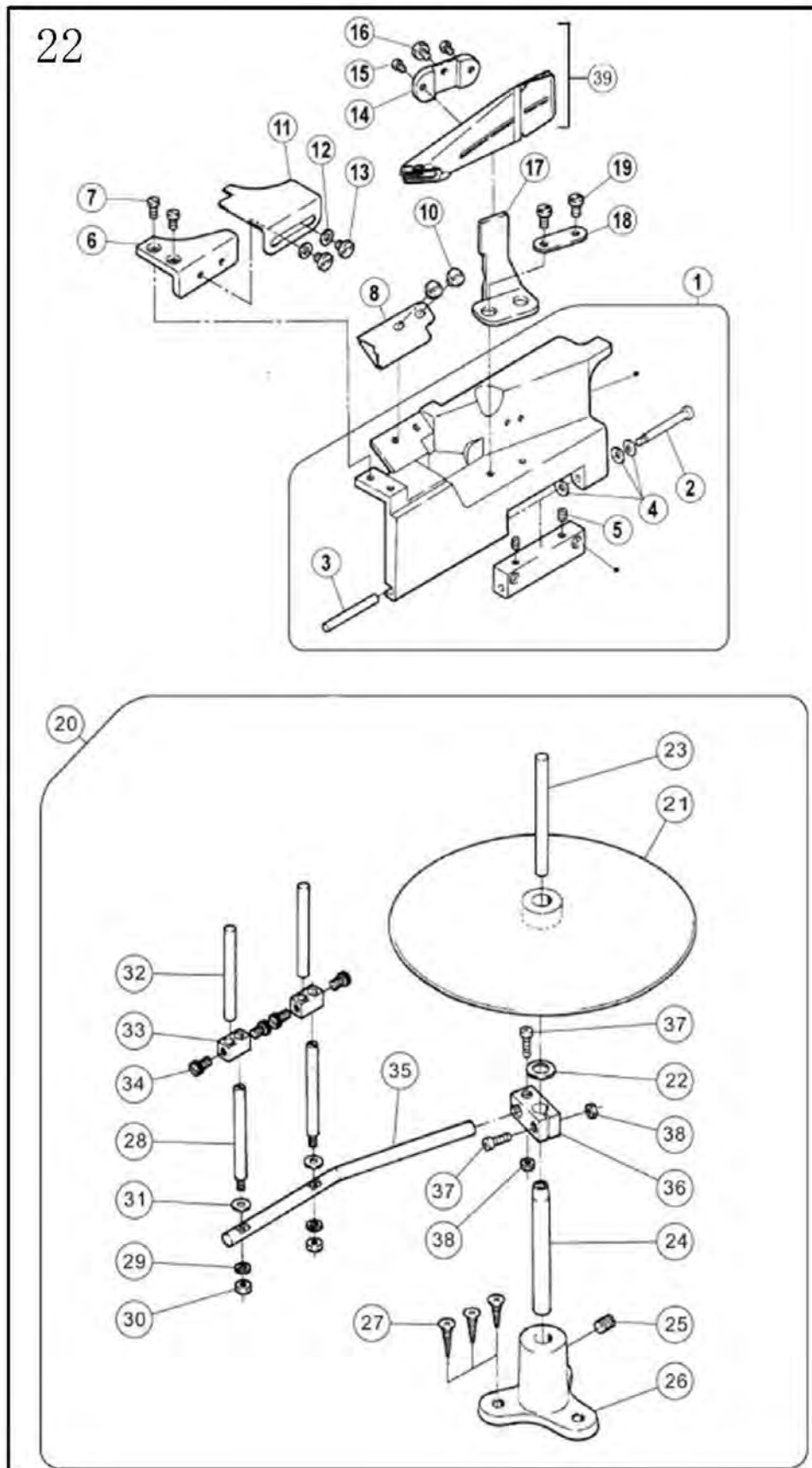
<b>NO</b>	<b>CODE</b>	<b>NAME</b>	<b>Qty</b>
1	/	/	/
2	JINBF700M183	NUT	4
3	JINBF700M184	BOLT	4
4	JINBF31016206337	WASHER	16
5	JINBF700M186	RUBBER CUSHION	4
6	JINBF31016205765	SPACER	4
7	BF31016205467	SPACER	4
9	BF31016259000	REST BOARD	2
10	BF310167093	SCREW	4
11	BF31016206338	RUBBER CUSHION	4
12	BF31016206329	TREADLE CHAIN GUIDE	1
13	BF310167027	SCREW	2

## 21. Sewing table parts



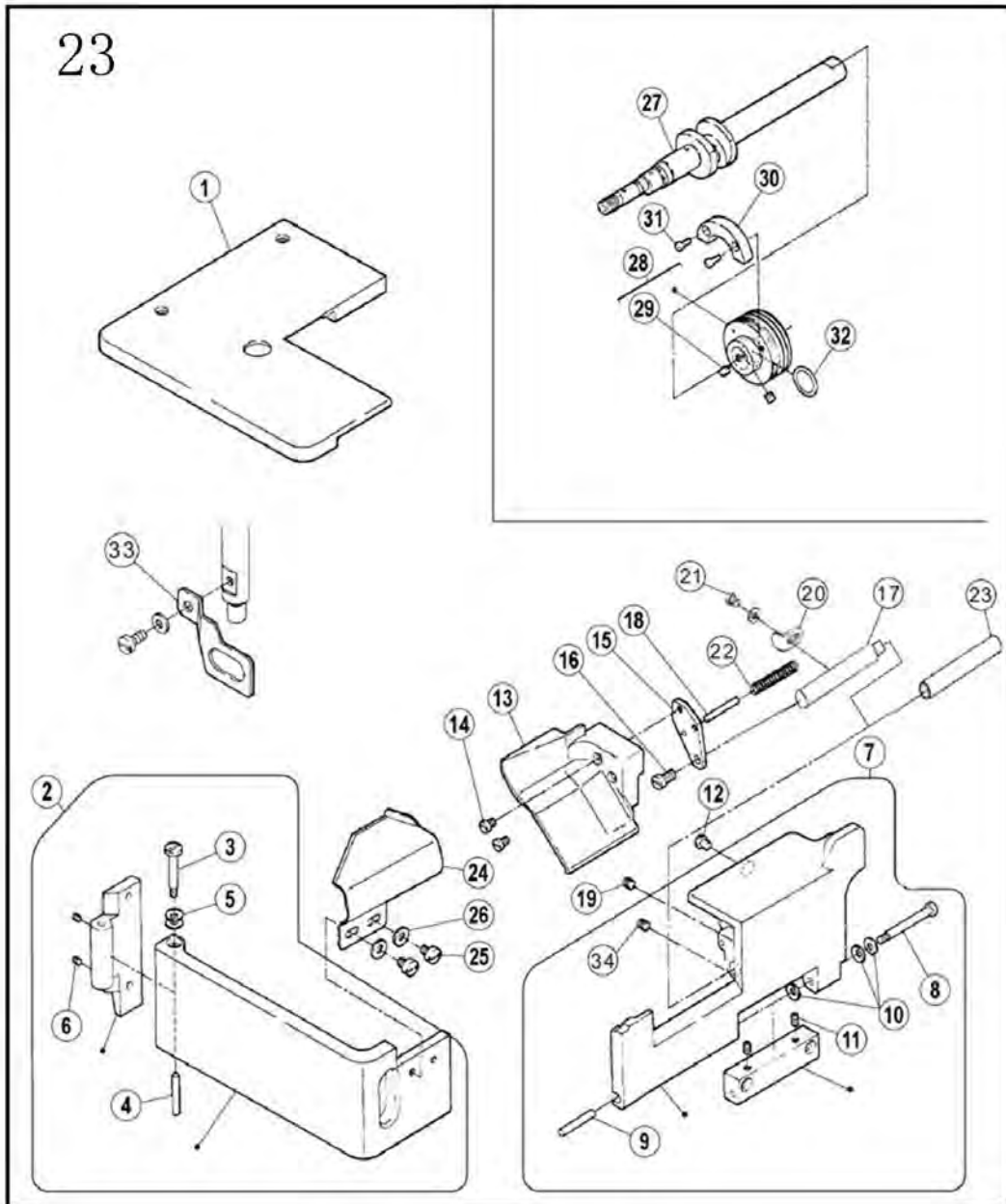
<b>NO</b>	<b>CODE</b>	<b>NAME</b>	<b>Qty</b>
1	JINBF31016250032	FRONT COVER ASSY.	1
2	JINBF31016250013	SCREW	1
3	JINBF31016250014	PIN	1
4	JINBF31016201191	SPRING	3
5	JINBF310164539	SCREW	2
6	JINBF310160150	PRESSURE PLATE	1
7	JINBF310160151	PRESSURE PLATE	1
8	JINBF310167020	SCREW	2
9	JINBF31016303448	WASHER	2

## 22. 02bb special parts



NO	CODE	NAME	Qty
1	JINBF3101602BB250033	FRONT COVER ASSY.	1
2	JINBF31016250013	SCREW	1
3	JINBF31016250014	PIN	1
4	JINBF31016201191	SPRING	3
5	JINBF310164539	SCREW	2
6	JINBF3101602BB250050	FRONT COVER	1
7	JINBF310167027	SCREW	2
8	JINBF3101602BB206601	FABRIC GUARD	1
10	JINBF310167079	SCREW	2
11	JINBF3101602BB206439	AUXILIARY PLATE/FRONT COVER	1
12	JINBF31016204585	WASHER	2
13	JINBF310167079	SCREW	2
14	JINBF31016201913	BRACKET	1
15	JINBF310165113	SCREW	2
16	JINBF310165540	BOLT	1
17	JINBF3101602BB201914	BRACKET	1
18	JINBF3101602BB206460	WASHER	1
19	JINBF310167028	SCREW	2
20	JINBF3101602BBTB	TAPE GUIDE ASSY.	1
21	JINBF31016247-SA	TAPE DISC	1
22	JINBF31016270	WASHER	1
23	JINBF31016253	TAPE DISC POST	1
24	JINBF31016250	TAPE DISC POST	1
25	JINBF310161448	SCREW	1
26	JINBF31016251-SA	BRACKET	1
27	JINBF310164913	SCREW	3
28	JINBF31016252	TAPE TENSION GUIDE POST LONG	2
29	JINBF31016303067	WASHER	2
30	JINBF31016226	SPOOL PIN NUT	2
31	JINBF31016204585	WASHER	2
32	JINBF31016253	TAPE DISC POST	2
33	JINBF31016254	HOLDER	2
34	JINBF310165161	SCREW	4
35	JINBF31016255	GUIDE POST BAR	1
36	JINBF31016256-SA	BRACKET	1
37	JINBF310164012	SCREW	2
38	JINBF310164803	NUT	2
39	JINBF3101602BBS123B	EDGER S123B3/8	1

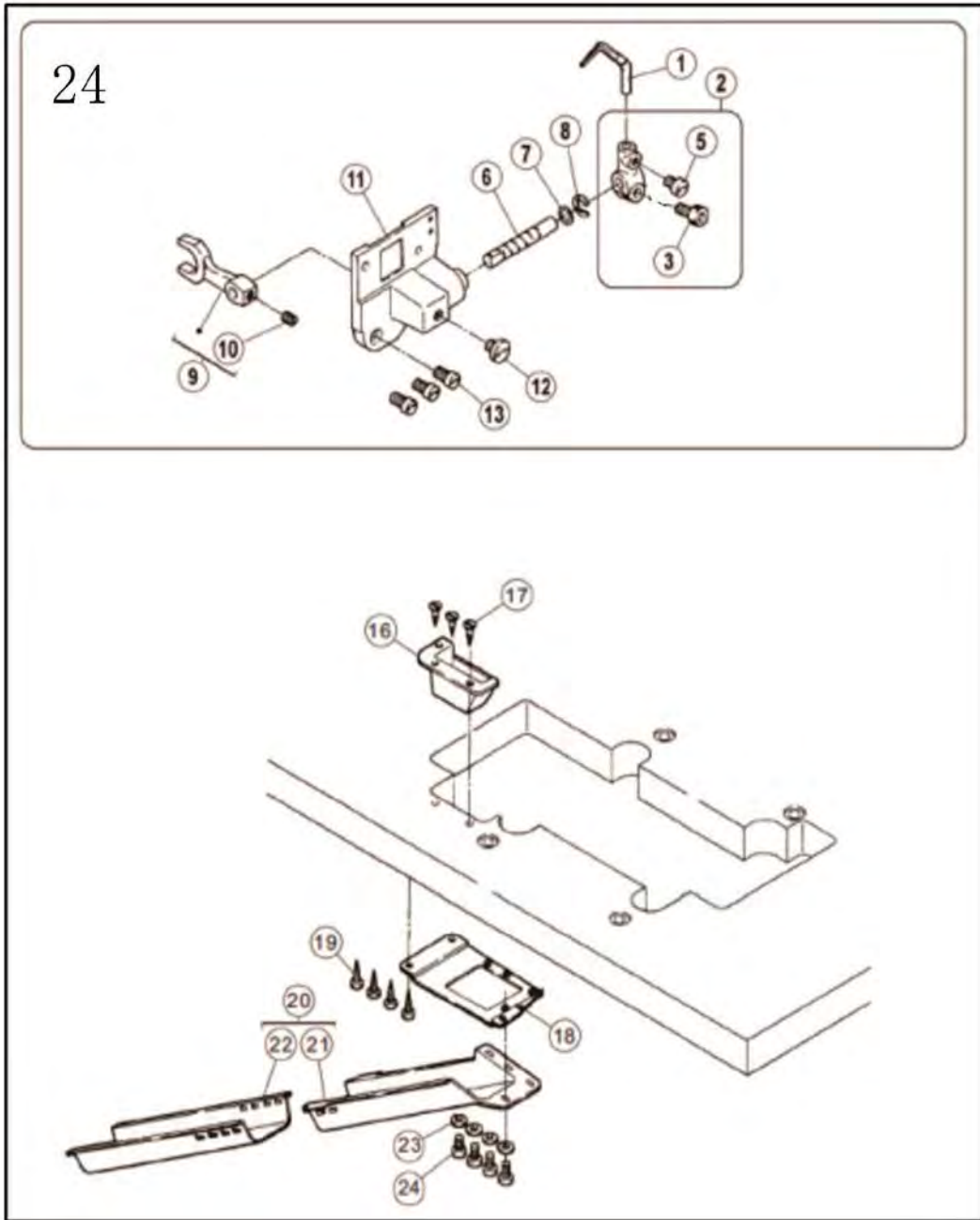
23. 05 special parts (1)





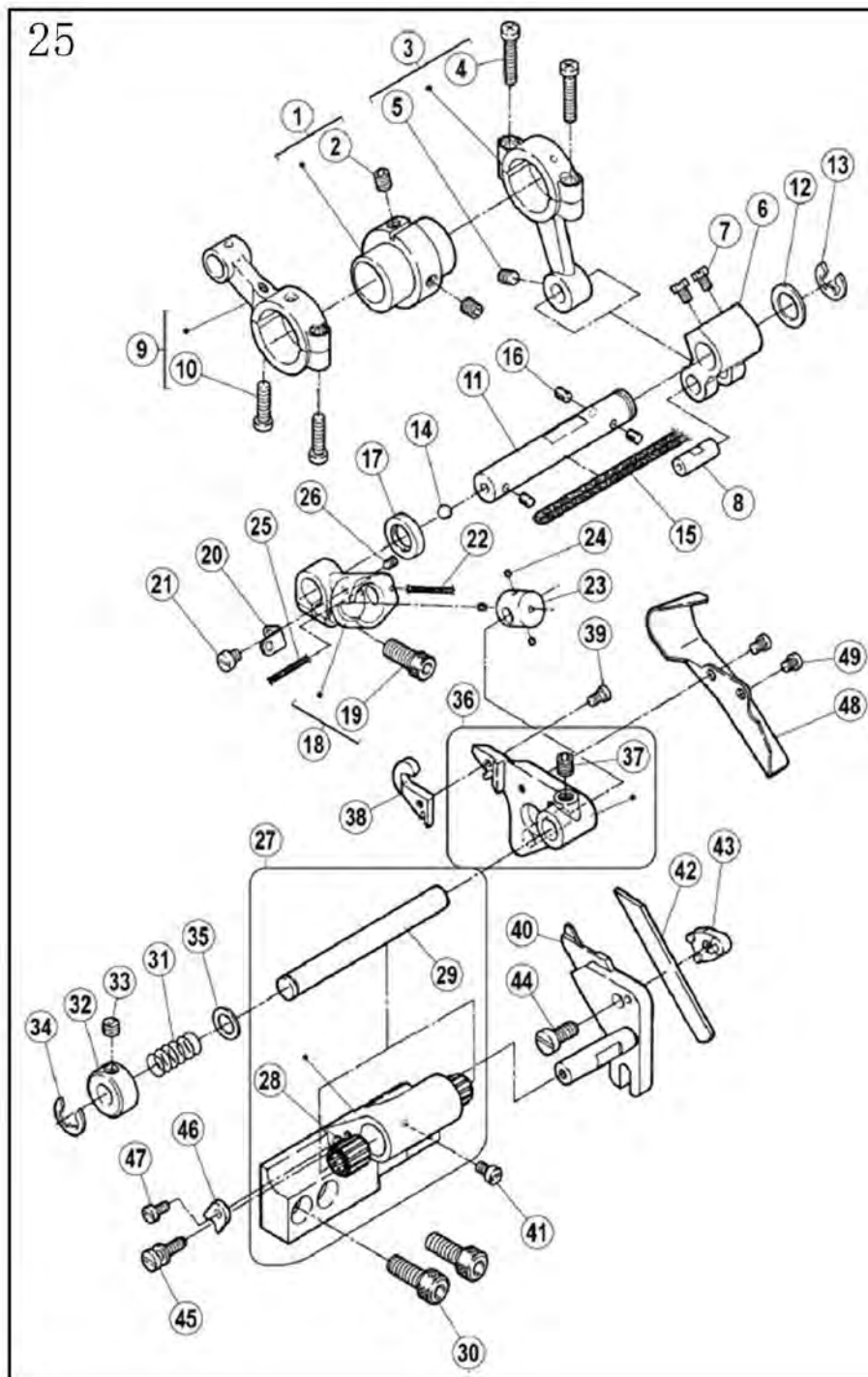
<b>NO</b>	<b>CODE</b>	<b>NAME</b>	<b>Qty</b>
1	JINBF3101605CB250343	BED COVER (LEFT)	1
2	JINBF3101605CB250039	SIDE COVER ASSY.	1
3	JINBF31016250037	SCREW	1
4	JINBF31016250038	PIN	1
5	JINBF31016201191	SPRING	2
6	JINBF310164535	SCREW	2
7	JINBF310162500341	FRONT COVER ASSY.	1
8	JINBF31016250013	SCREW	1
9	JINBF31016250014	PIN	1
10	JINBF31016201191	SPRING	3
11	JINBF310164539	SCREW	2
12	JINBF310162100251	CUSHON	1
13	JINBF3101605CB250025	FRONT COVER (SMALL)	1
14	JINBF310167018	SCREW	2
15	JINBF3101605250026	BRACKET	1
16	JINBF310167028	SCREW	1
17	JINBF310162500271	SHAFT	1
18	JINBF3101605306920	PIN	1
19	JINBF310164514	SCREW	1
20	JINBF310162500281	STOPPER	1
21	JINBF310167018	SCREW	2
22	JINBF310162023401	SPRING	1
23	JINBF310162500272	PLUG	1
24	JINBF3101605255517	FABRIC GUIDE	1
25	JINBF310167079	SCREW	2
26	JINBF31016204585	WASHER	2
27	JINBF31016250501B91	CRANKSHAFT ASSY.	1
28	JINBF31016250543	BUSHING	1
29	JINBF310164514	SCREW	2
30	JINBF31016252010	BALANCE WEIGHT	1
31	JINBF310167011	SCREW	2
32	JINBF31016206837	O RING	1
33	JINBF3101605253029	FINGER GUARD	1

24. 05 special parts (3)



NO	CODE	NAME	Qty
1	JINBF31016257551B	NEEDLE GUARD (REAR)	1
2	JINBF3101605251505	LEVER ASSY.	1
3	JINBF310164500	BOLT	1
4	/	/	/
5	JINBF310167018	SCREW	1
6	JINBF3101605251503	SHAFT	1
7	JINBF3101605207924	WASHER	1
8	JINSCJ1007	RING	1
9	JINBF3101605251504	LEVER	1
10	JINBF310164514	SCREW	1
11	JINBF310160525150091	BRACKET	1
12	JINBF31016057081	SCREW	1
13	JINBF310167019	SCREW	3
16	JINBF31016206473-UA	WASTE CHUTE TOP (C)	1
17	JINBF310164904	SCREW	3
18	JINBF3101605306474A	BRACKET	1
19	JINBF310164905	SCREW	4
20	JINBF31016059050	WASTE CHUTE ASSY.	1
21	JINBF31016205468-UA	WASTE CHUTE TOP (A)	1
22	JINBF31016205469-UA	WASTE CHUTE TOP (B)	1
23	JINBF31016303448	WASHER	4
24	JINBF310164012	SCREW	4

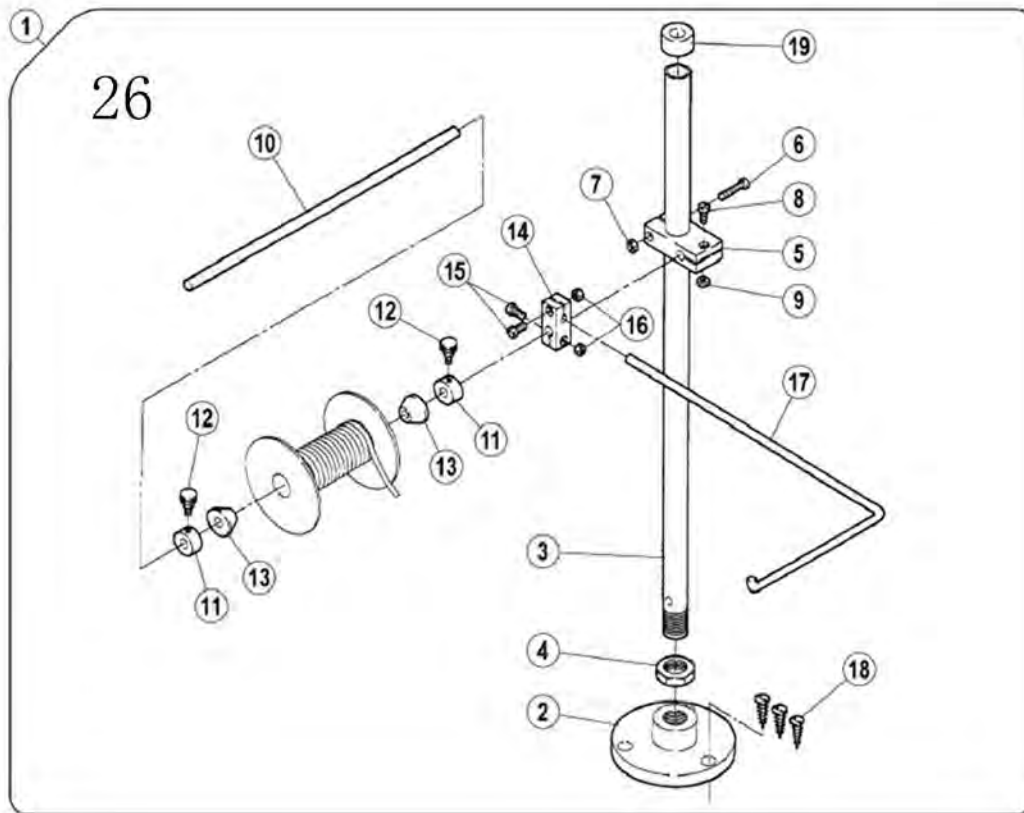
25. 05 special parts (3)



NO	CODE	NAME	Qty
1	JINBF31016252521	ECCENTRIC ASSY.	1
2	JINBF310164539	SCREW	2
3	JINBF31016255501	CONNECTION ASSY.	1
4	JINBF7000412	SCREW	2
5	JINBF310164543	SCREW	1

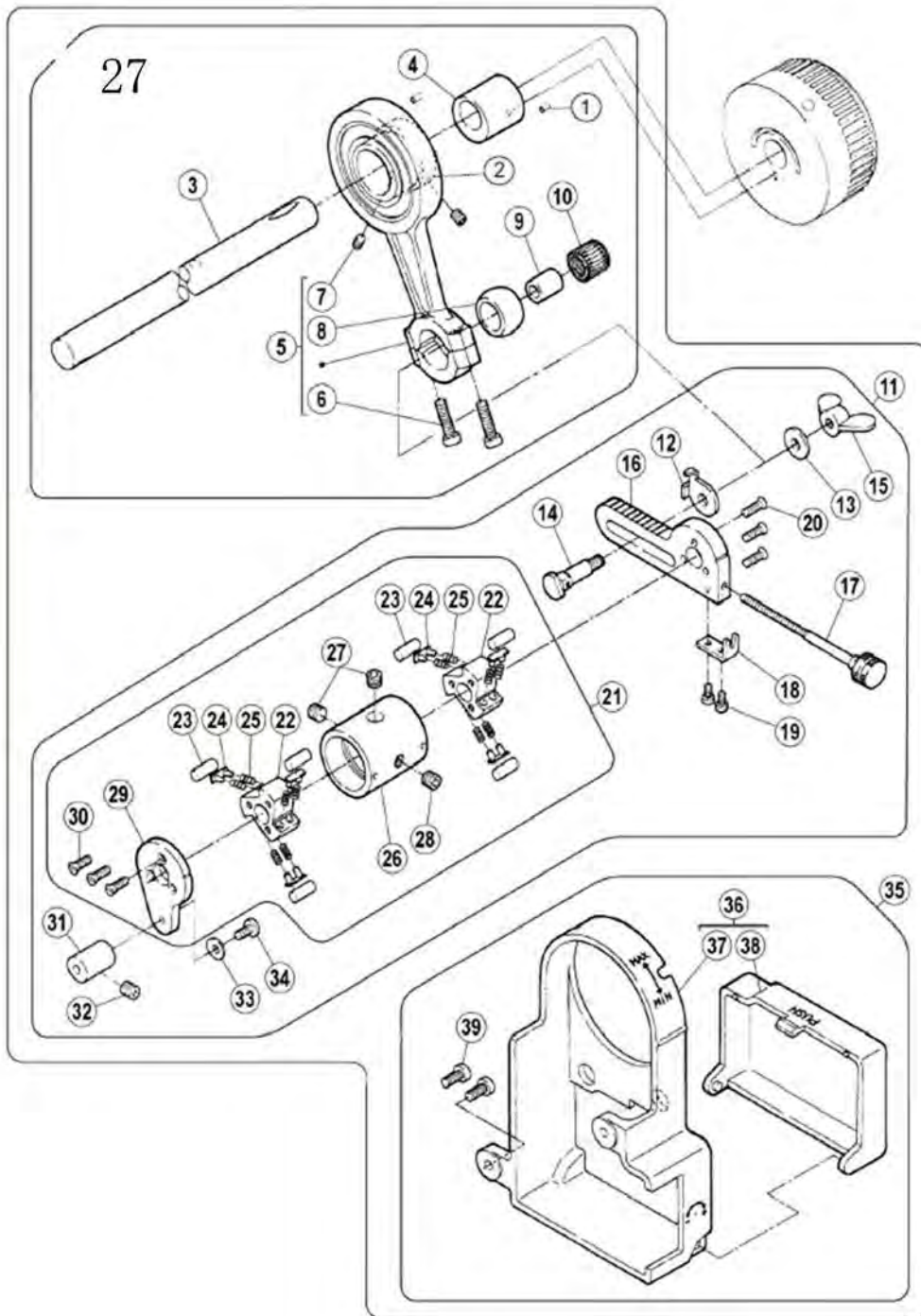
NO	CODE	NAME	Qty
6	JINBF31016306093	CRANK	1
7	JINBF310165084	SCREW	2
8	JINBF31016205495	PIN	1
9	JINBF31016252001	CONNECTION ASSY.	1
10	JINBF7000412	SCREW	1
11	JINBF31016251518	SHAFT	1
12	JINBF31016240102	WASHER	1
13	JINSCJ1012	RING	1
14	JINBF31016240097	BALL	1
15	JINBF31016202176	OIL WICK	1
16	JINBF31016206748	FELT	3
17	JINBF31016204052	OIL SEAL	1
18	JINBF3101605255503	LEVER ASSY.	1
19	JINBF310164501	BOLT	1
20	JINBF3101605255504	LATCH	1
21	JINBF310167009	SCREW	1
22	JINBF31016202175	OIL WICK	1
23	JINBF3101605255505	BLOCK	1
24	JINBF31016207925	FELT	1
25	JINBF31016202174	OIL WICK	1
26	JINBF310164545	SCREW	1
27	JINBF3101605255506	BRACKET ASSY.	1
28	JINBF3101605240099	NEEDLE BEARING	2
29	JINBF3101605255508	SHAFT	1
30	JINBF31016054515	BOLT	2
31	JINBF3101605306105	SPRING	1
32	JINBF31016192024	COLLAR	1
33	JINBF310165084	SCREW	1
34	JINSCJ1010	RING	1
35	JINBF3101605207045	WASHER	1
36	JINBF3101605255507	UPPER KNIFE LEVER ASSY.	1
37	JINBF310164547	SCREW	1
38	JINBF3101605306394	UPPER KNIFE	1
39	JINBF31016055109	SCREW	1
40	JINBF3101605255509	LOWER KNIFE HOLDER	1
41	JINBF31016057036	SCREW	1
42	JINBF800204161	LOWER KNIFE	1
43	JINBF3101605255510	LOWER KNIFE CLAMP	1
44	JINBF310167028	SCREW	1
45	JINBF3101605255513	SCREW	1
46	JINBF3101605255511	GUIDE	1
47	JINBF310167010	SCREW	1
48	JINBF3101605255515	CHIP GUARD	1
49	JINBF8007008	SCREW	2

26. 05 special parts (4)



NO	CODE	NAME	Qty
1	JINBF3101605XJ	REEL STAND ASSY.	1
2	JINBF31016306468-SA	BRACKET	1
3	JINBF31016306466-SA	ROD	1
4	JINBF310165476	NUT	1
5	JINBF31016383-SA	BRACKET	1
6	JINBF310164014	SCREW	1
7	JINBF310164803	NUT	1
8	JINBF310164012	SCREW	1
9	JINBF310164803	NUT	1
10	JINBF31016306464	SHAFT	1
11	JINBF31016306463	COLLAR	2
12	JINBF310161285	SCREW	2
13	JINBF31016306462	REEL GUIDE	2
14	JINBF31016233-SA	BRACKET	1
15	JINBF310164012	SCREW	2
16	JINBF310164803	NUT	2
17	JINBF31016306467	ROD	1
18	JINBF310164913	SCREW	3
19	JINBF31016386	ROD CAP	1

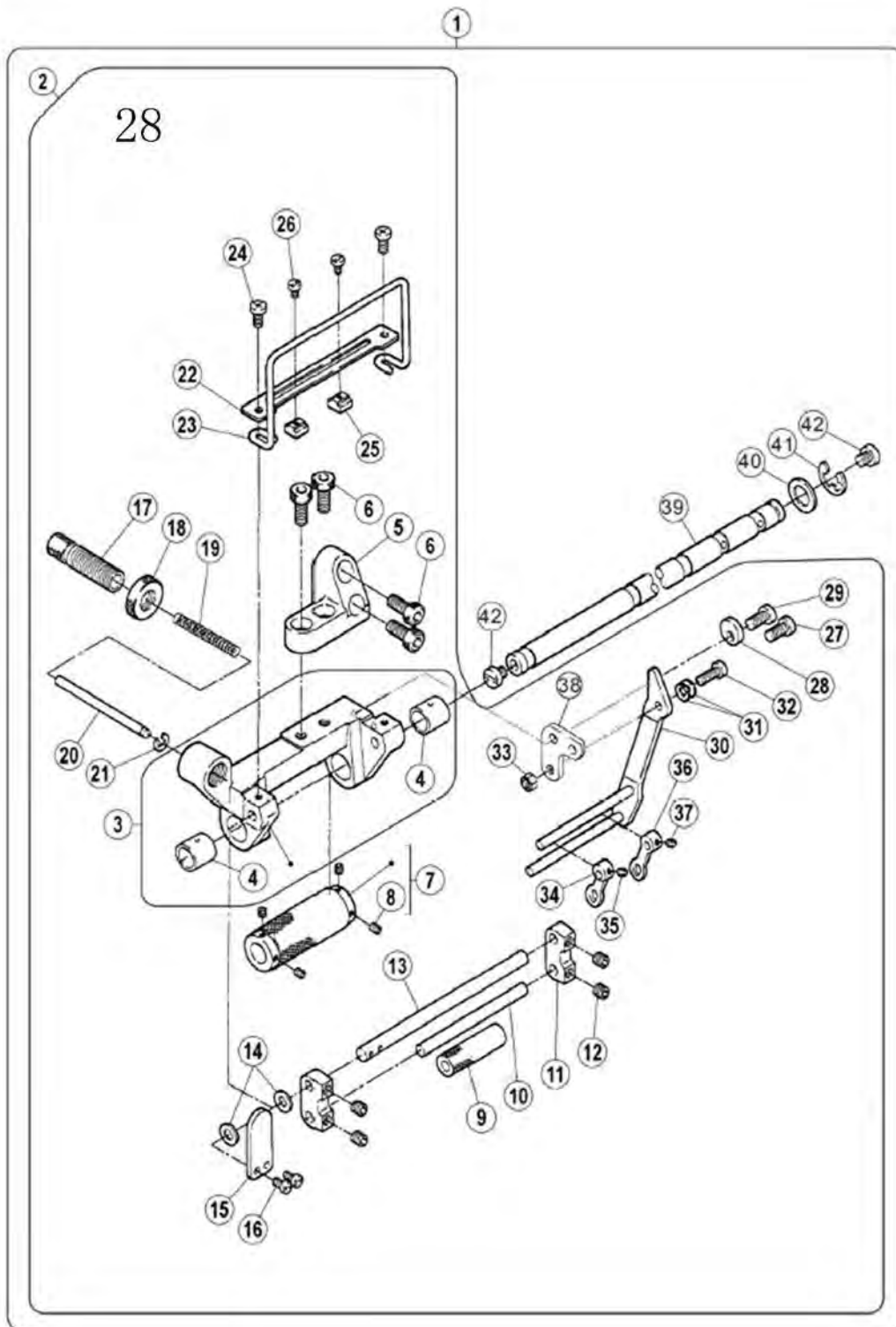
27. 05 special parts (5)





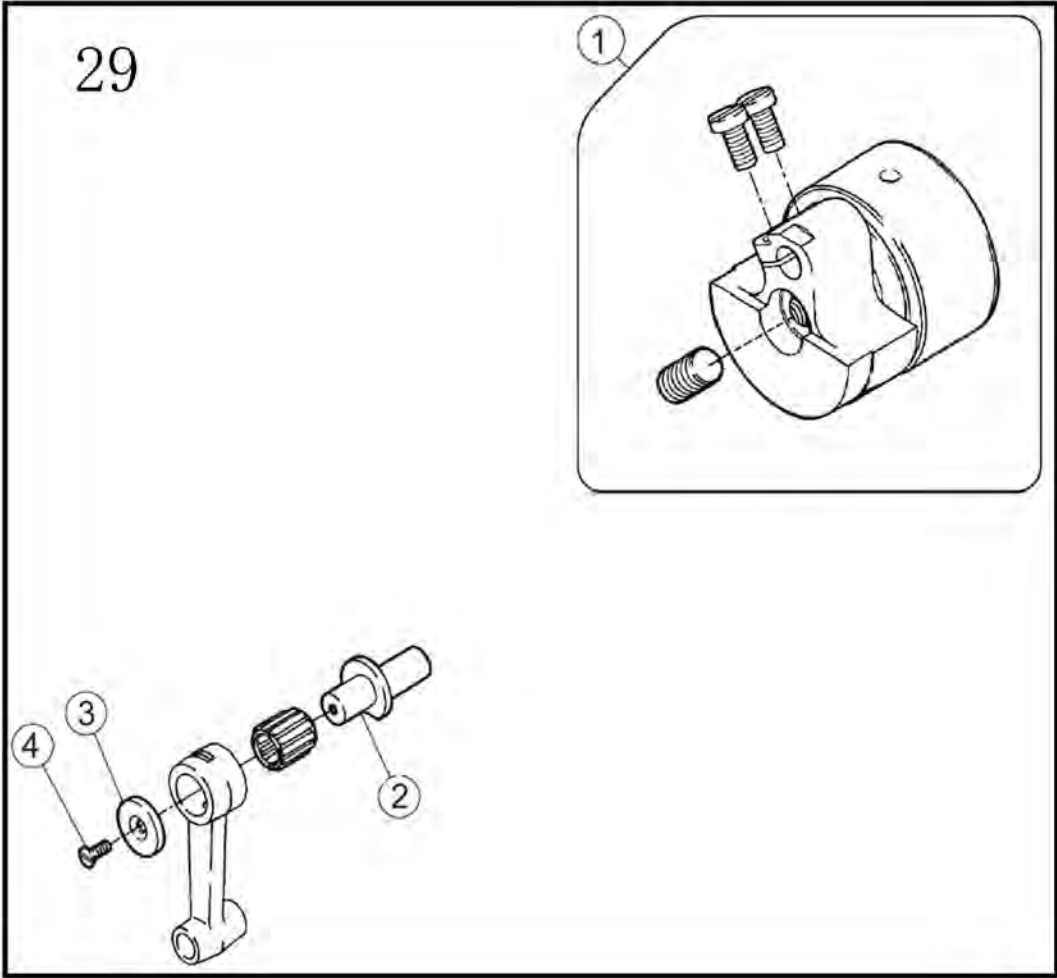
NO	CODE	NAME	Qty
1	/	/	/
2	JINBF3101605256043-1	BUSHING	1
3	JINBF3101605256000	SHAFT	1
4	JINBF31016256043-91	ECCENTRIC ASSY.	/
5	JINBF3101605256005	CONNECTION ASSY.	1
6	JINBF310167023	SCREW	2
7	JINBF310164514	SCREW	2
8	JINBF31016256007	BALL STUD	1
9	JINBF3101605306238	BUSHING	1
10	JINBF3101605101313	NEEDLE BEARING	1
11	JINBF31016256062-91	CRANK ASSY.	1
12	JINBF3101605256009	INDICATOR	1
13	JINBF3101605204023	WASHER	1
14	JINBF3101605256008	PIN	1
15	JINBF3101605256048	BUTTERFLY NUT	1
16	JINBF31016256010	CRANK	1
17	JINBF3101605256041	SCREW	1
18	JINBF3101605256042	SET PLATE	1
19	JINBF310167010	SCREW	2
20	/	/	/
21	JINBF3101605256046	CLUTCH ASSY.	1
22	JINBF31016256012	CLUTCH	2
23	JINBF31016306500	PIN	6
24	JINBF31016306243	SCREW	6
25	JINBF31016240114A	SPRING	12
26	JINBF31016256046	SLEEVE	1
27	JINBF310164547	SCREW	2
28	JINBF310164548	SCREW	1
29	JINBF31016256011	STOP PLATE	1
30	JINBF310167083	SCREW	3
31	JINBF3101605306568	SHAFT	1
32	JINBF310164514	SCREW	1
33	JINBF31016201185	WASHER	1
34	JINBF700S045	SCREW	1
35	JINBF31016250214-9U	COVER ASSY.	1
36	JINBF3101605250067UB	MD COVER ASSY.	1
37	JINBF31016250067-UB	MD COVER	1
38	JINBF31016250068-UB	COVER	1
39	JINBF310167020	SCREW	2

## 28. 05 special parts (6)



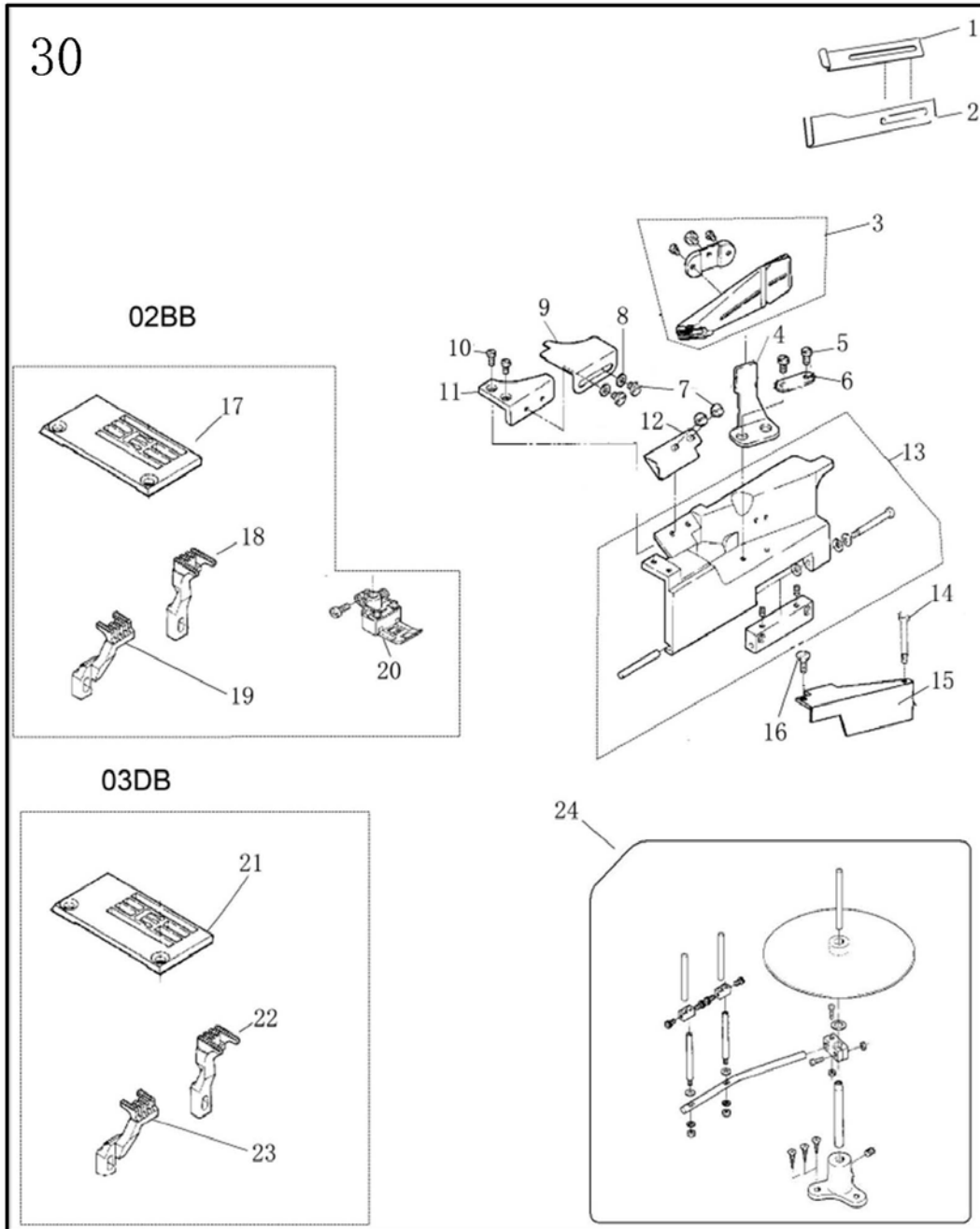
NO	CODE	NAME	Qty
1	/		
2	/		
3	/		
4	JINBF3101605306364	BUSHING	2
5	JINBF3101605256018	BRACKET	1
6	JINBF31016054515	BOLT	4
7	JINBF3101605256019	ROLLER ASSY.	1
8	JINBF310164535	SCREW	4
9	JINBF3101605256022	ROLLER	1
10	JINBF3101605256025	SHAFT	1
11	JINBF3101605256047	BRACKET	2
12	JINBF310164514	SCREW	4
13	JINBF3101605256023	SHAFT	1
14	JINBF31016202433	WASHER	2
15	JINBF3101605256024	LEVER	1
16	JINBF310167010	SCREW	2
17	JINBF3101605306378	SCREW	1
18	JINBF3101605210328	NUT	1
19	JINBF3101605306376	SPRING	1
20	JINBF3101605306377	SHAFT	1
21	JINSCJ1003	RING	1
22	JINBF3101605256026	GUIDE	1
23	JINBF3101605256027	LACE GUIDE	1
24	JINBF310167019	SCREW	2
25	JINBF3101605306057	GUIDE	2
26	JINBF31016055141	SCREW	2
27	JINBF310167019	SCREW	1
28	JINBF3101605256038	STOPPER	1
29	JINBF310167020	SCREW	1
30	JINBF3101605256034	BRACKET	1
31	JINBF800210930	SPRING	2
32	JINBF31016054528	BOLT	1
33	JINBF31016054803	NUT	1
34	JINBF3101605256039	LACE GUIDE	1
35	JINBF310164554	SCREW	1
36	JINBF3101605256039	LACE GUIDE	1
37	JINBF310164554	SCREW	1
38	JINBF3101605256037	BRACKET	1
39	JINBF3101605256014	SHAFT	1
40	JINBF31016240102	WASHER	1
41	JINSCJ1012	RING	1
42	JINBF31016057074	SCREW	2

29. 21bb special parts



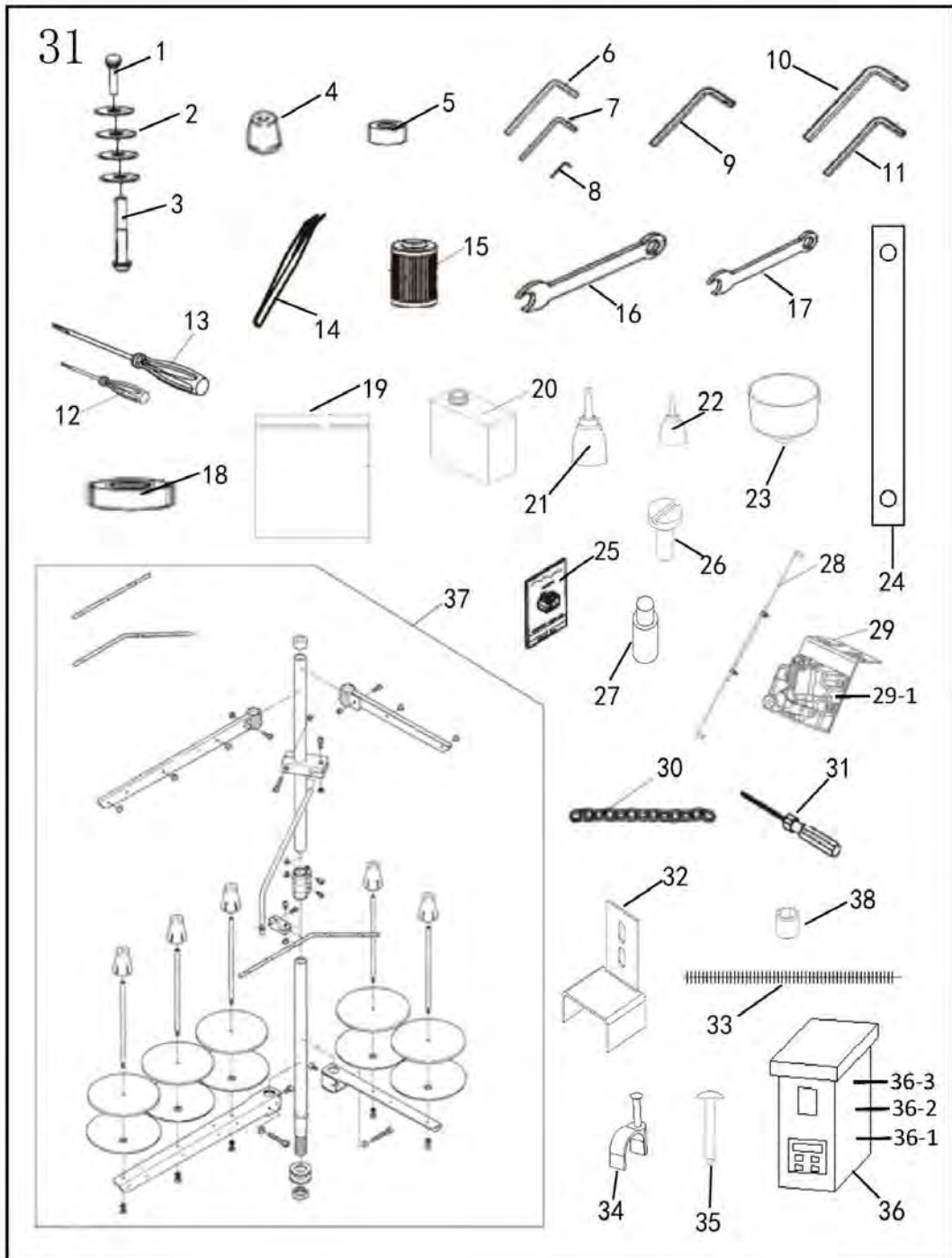
NO	CODE	NAME	Qty
1	JINBF3202635AB250526C1	MOTION ASSY.	1
2	JINBF3202635AB251010A	ECCENTRIC PIN	1
3	JINBF32026205097	WASHER	1
4	JINBF320267041	SCREW	1

### 30. FQ special parts



<b>NO</b>	<b>CODE</b>	<b>NAME</b>	<b>Qty</b>
1	JINBF310160150	PRESSURE PLATE	1
2	JINBF310160151	PRESSURE PLATE	1
3	JINBF3101602BBS123B	EDGER S123B3/8	1
4	JINBF3101602BB201914	BRACKET	1
5	JINBF310167028	SCREW	2
6	JINBF3101602BB206460	SHIM	1
7	JINBF310167079	SCREW	4
8	JINBF31016204585	SHIM	2
9	JINBF3101602BB206439	SHIM	1
10	JINBF310167027	SCREW	2
11	JINBF3101602BB250050	COVER PLATE	1
12	JINBF3101602BB206601	REPAIRING PLATE	1
13	JINBF3101602BB250033	FRONT SEWING TABLE	1
14	JINBF3101601521	SCREW	1
15	JINBF310160154	PLATE	1
16	JINBF310167028	SCREW	1
17	JINBF3101602BB257033	02BB NEEDLE PLATE	1
18	JINBF3101602BB257216	02BB FEED DOG	1
19	JINBF3101602BB257262	02BB DIFFERENTIAL TEETH	1
20	JINBF3101602BB257321	02BB PRESSER FOOT	1
21	JINBF3101603DB257090	03DB NEEDLE PLATE	1
22	JINBF3101603DB257207	03DB FEED DOG	1
23	JINBF3101603DB257253	03DB DIFFERENTIAL TEETH	1
24	JINBF3101602BBTB	TRAY, TRAY RACK	1

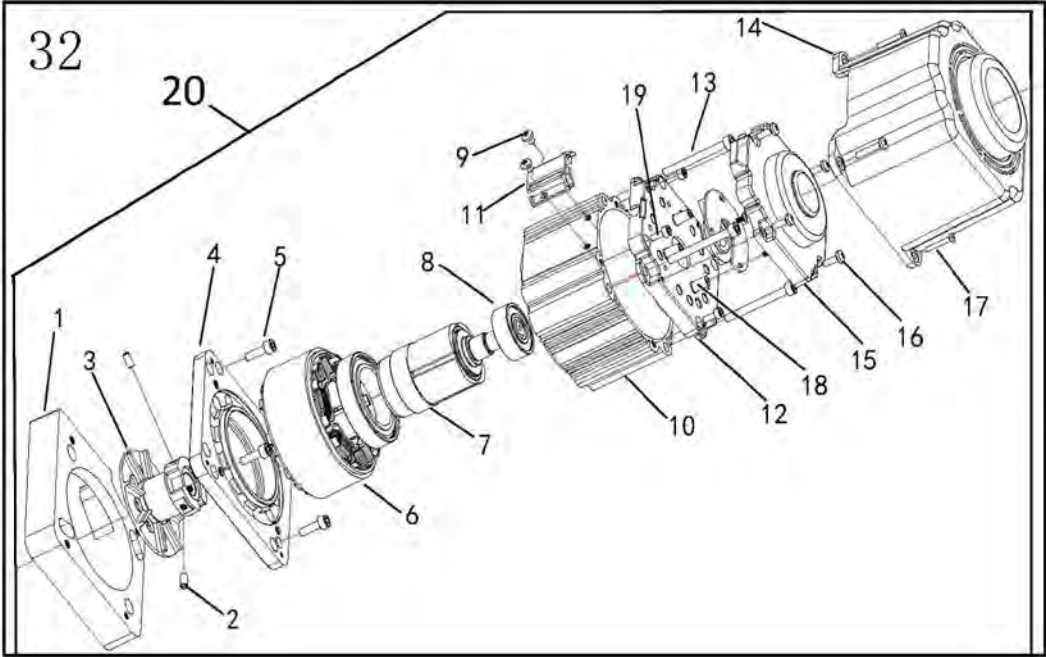
### 31. Accessory parts





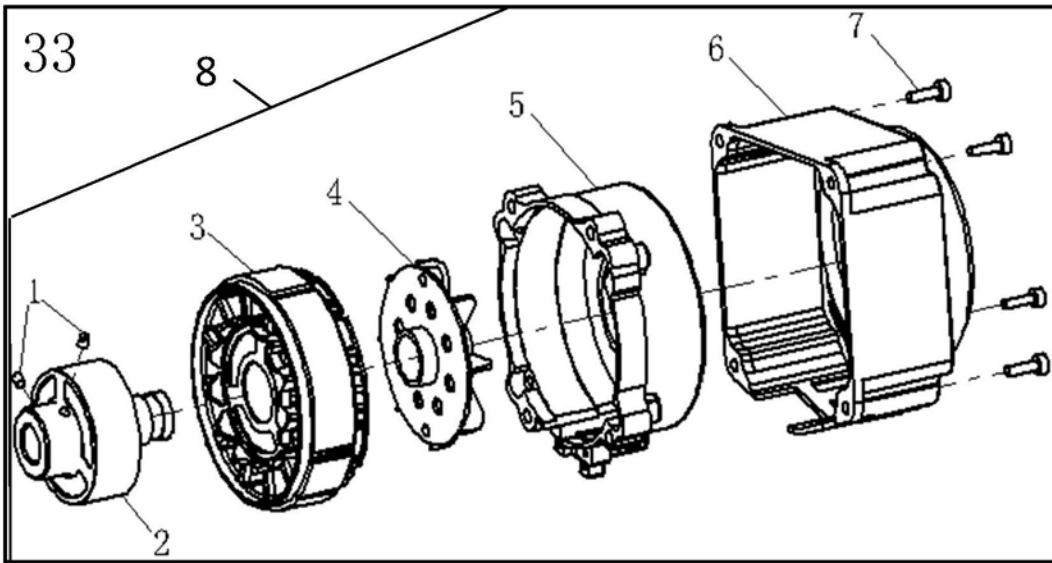
NO	CODE	NAME	Qty
1	JINBF700M184	SCREW	4
2	JINBF31016206337	SHIM	16
3	JINBF700M183	FIXED HEAD	4
4	JINBF31016206338	NOSE SHOCK PAD	4
5	JINBF700M186	CONNECTING SLEEVE	4
6	JINSCJ6004	INNER HEXAGON SPANNER	1
7	JINSCJ6003	INNER HEXAGON SPANNER	1
8	JINSCJ6002	INNER HEXAGON SPANNER	1
9	JINSCJ6005	INNER HEXAGON SPANNER	1
10	JINSCJ6007	INNER HEXAGON SPANNER	1
11	JINSCJ6006	INNER HEXAGON SPANNER	1
12	JINBF800ZBFD	BOLT DRIVER	1
13	JINBF800DBFD	BOLT DRIVER	1
14	JINBF700M1916	TWEEZERS	1
15	JINBF700M156	PAPER OIL FILTER	1
16	JINBF700M197	WRENCH	1
17	JINBF700M198	WRENCH	1
18	JINBF31016205467	SHOCK PAD (THIN)	4
19	JINBF800FJD	ACCESSORY BAG	1
20	JINBF700M193	SILICONE OIL POT	1
21	JINBF800DYH	BIG OIL POT	1
22	JINBF700M195	SMALL OIL POT	1
23	JINBF31016YD	OIL HOPPER	1
24	JINBF31016259000	BEARING PLATE	2
25	JINBF3101611JZ	NERDLE	4
26	JINBF310167027	SCREW	2
27	JINBF310167093	SCREW	4
28	JINKB3026	PEDAL LEVER	1
29	JIN12040018	FOOT SWITCH ASSEMBLY (SIMPLE)	1
29-1	JINBF31016UTJTKG	FOOT SWITCH ASSEMBLY (UT)	1
30	JINBF31016LT	CHAIN	1
31	JINBF700M199	INNER HEXAGON SPANNER	1
32	JINBF31016206329	LOCKING PLATE	1
33	JINBF32026MG	HAIKY ROOT	1
34	JINSCJ6036	CLASP	3
35	JIN14060017	SCREW	5
36	JINBF31016UTDKZJ	UT ELECTRONIC CONTROL (220V)	1
36-1	JINBF31016UTDKZJV	UT ELECTRONIC CONTROL (110V)	1
36-2	JIN12010081	SIMPLE ELECTRONIC CONTROL (220V)	1
36-3	JIN12010081V	SIMPLE ELECTRONIC CONTROL (110V)	1
37	JINBF7005M17	CABLE RACK ASSEMBLY	1
38	JINBF310164554	SCREW	6

32. Integrated motor parts



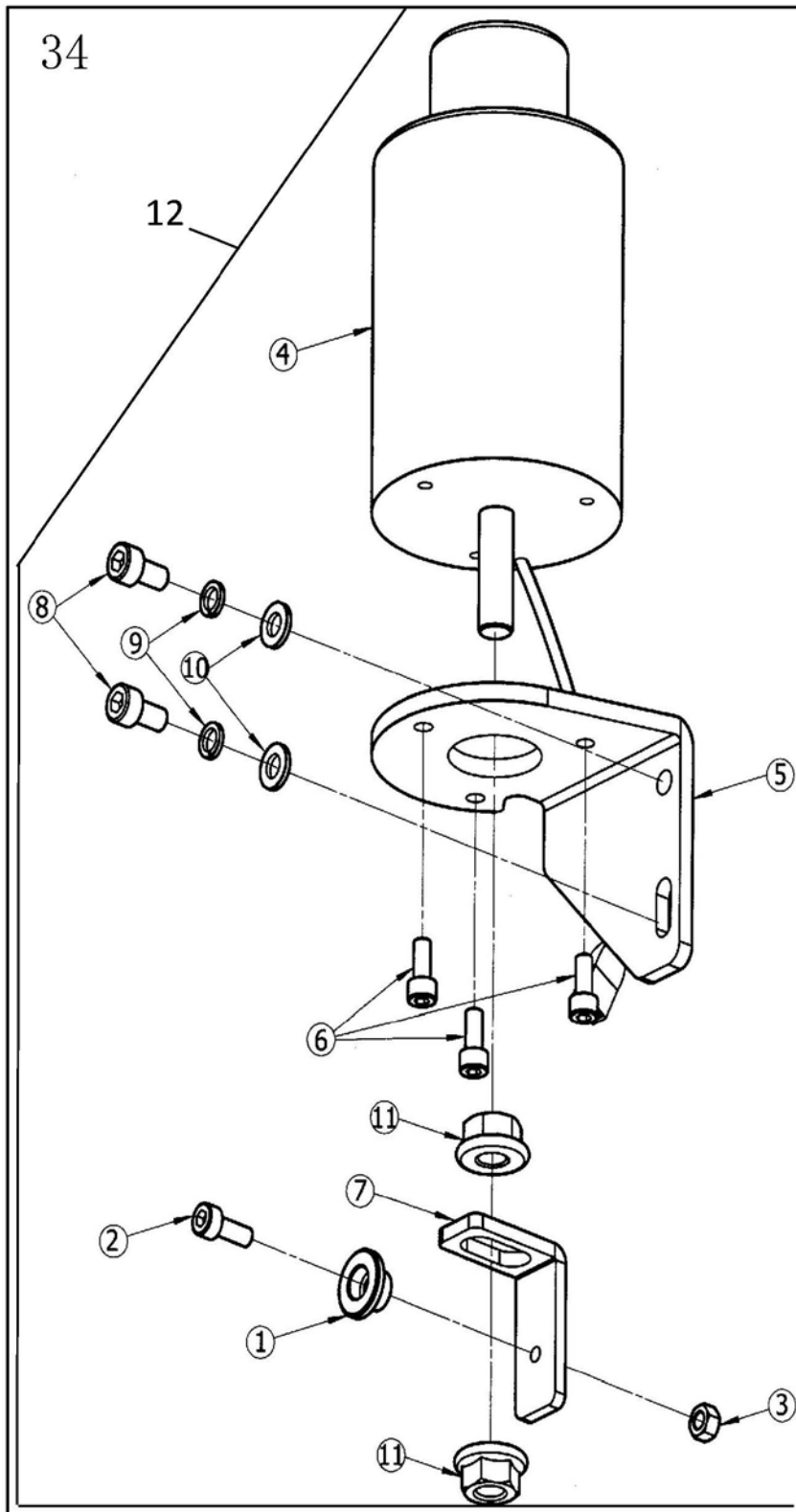
<b>NO</b>	<b>CODE</b>	<b>NAME</b>	<b>Qty</b>
1	JINBF31016UTDJ-1	MOUNTING BASE	1
2	JINBF31016UTDJ-2	SCREW	2
3	JINBF31016UTDJ-3	AEOLIAN LEAF	1
4	JINBF31016UTDJ-4	CONNECTING PLATE	1
5	JINBF31016UTDJ-5	SCREW	4
6	JINBF31016UTDJ-6	STATOR	1
7	JINBF31016UTDJ-7	ROTOR SHAFT	1
8	JINBF31016UTDJ-8	BEARING	1
9	JINBF31016UTDJ-9	SCREW	2
10	JINBF31016UTDJ-10	MOTOR HOUSING	1
11	JINBF31016UTDJ-11	COVER	1
12	JINBF31016UTDJ-12	PLATE	1
13	JINBF31016UTDJ-13	SCREW	4
14	JINBF31016UTDJ-14	PLASTIC SHIELD	1
15	JINBF31016UTDJ-15	PLATE	1
16	JINBF31016UTDJ-16	SCREW	4
17	JINBF31016UTDJ-17	SCREW	4
18	JINBF31016UTDJ-18	BUSHING	4
19	JINBF31016UTDJ-19	SCREW	4
20	JINBF31016UTDJZJ	MOTOR ASSEMBLY	1

### 33. Split motor parts



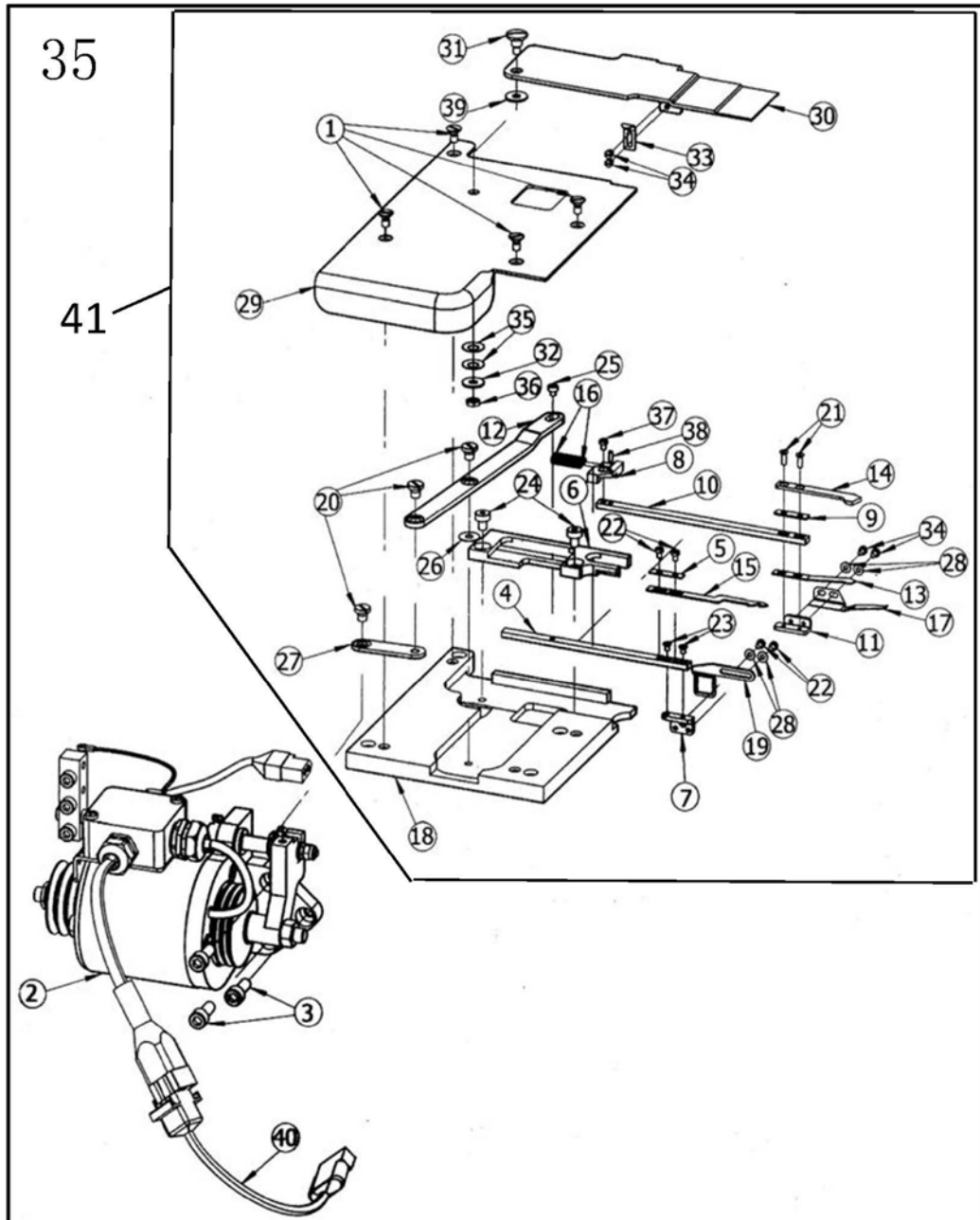
<b>NO</b>	<b>CODE</b>	<b>NAME</b>	<b>Qty</b>
1	JINBF31016DJ-1	SCREW	2
2	JINBF31016DJ-2	AXLE SLEEVE	1
3	JINBF31016DJ-3	STATOR ROTOR	1
4	JINBF31016DJ-4	AEOLIAN LEAF	1
5	JINBF31016DJ-5	FRAME	1
6	JINBF31016DJ-6	COVER	1
7	JINBF31016DJ-7	SCREW	4
8	JINBF31016DJ	MOTOR ASSEMBLY	1

34. LFE



<b>NO</b>	<b>CODE</b>	<b>NAME</b>	<b>Qty</b>
1	JINP/W600ELFEB-001	WASHER	1
2	JINGB/T70. 1-M5X14-12. 9-FH	SCREW	1
3	JINGB/T6170-M5-8-FH	NUT	1
4	JINTE2274	ELECTROMAGNET	1
5	JINP/W600ELFEB-003	PLATE	1
6	JINGB/T70. 1-M5X12-12. 9-FH	SCREW	3
7	JINP/W600ELFEB-002	PLATE	1
8	JINGB/T70. 1-M6X16-12. 9-FH	SCREW	2
9	JINGB/T93-6-65Mn-FH	SHIM	2
10	JINGB/T97. 1-6-140HV-FH	SHIM	2
11	JINGB/T6177. 1-M10-8-Zn-B	NUT	2
12	JINBF31016SDCT	ELECTROMAGNET	1

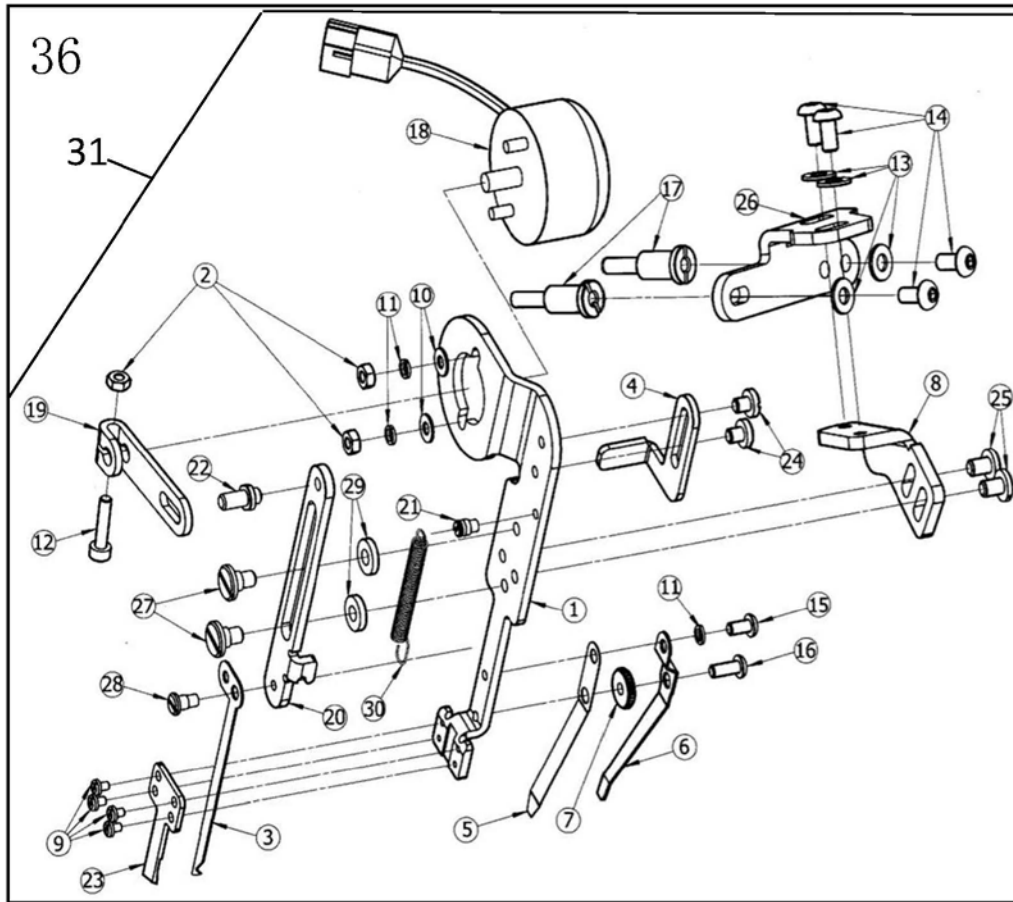
35. UT





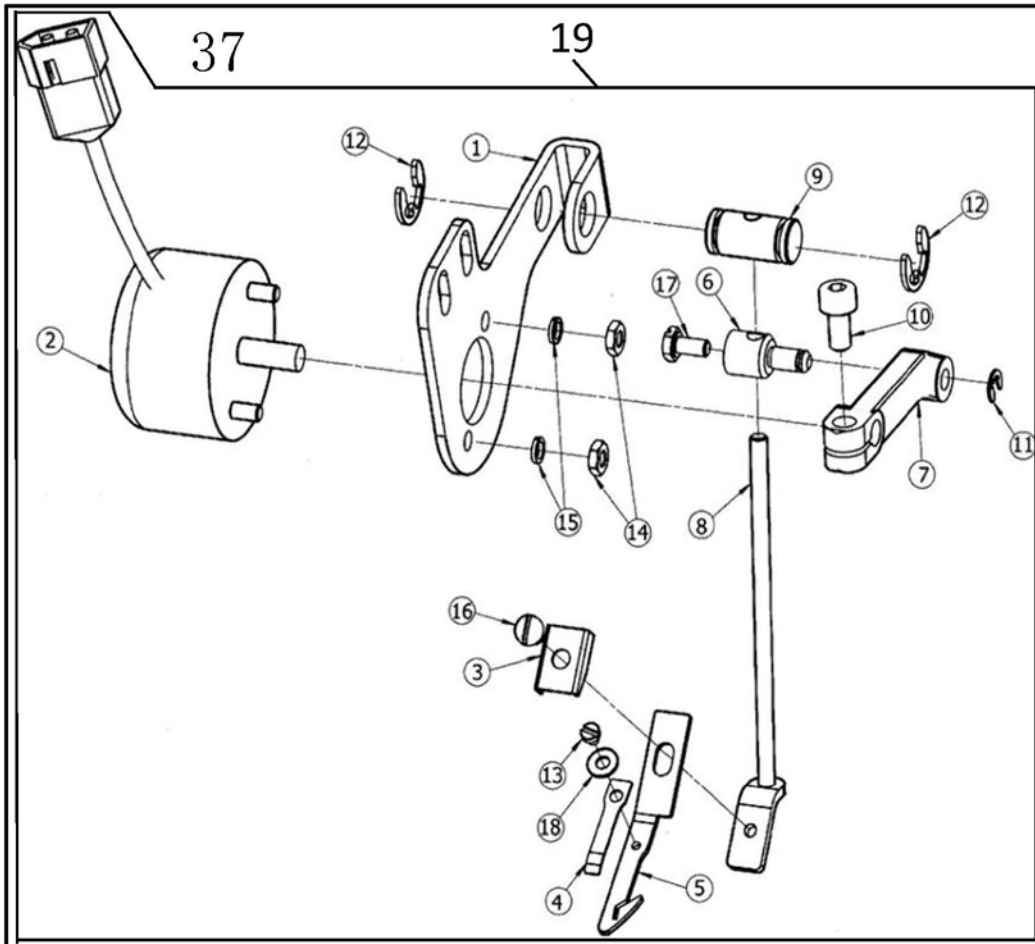
NO	CODE	NAME	Qty
1	JINTE1344	SCREW	4
2	JINBF31016XDCT	ELECTROMAGNET	1
3	JINGB/T70. 1-M6X16-12. 9-FH	SCREW	3
4	JINP/W500EUT-001-005	KNIFE TABLE	1
5	JINP/W500EUT-001-011	SHIM	1
6	JINP/W500EUT-001-004	GUIDE BLOCK	1
7	JINP/W500EUT-001-008	GUIDE BLOCK	1
8	JINP/W500EUT-001-012	PLATE	1
9	JINP/W500EUT-001-006	SHIM	1
10	JINP/W500EUT-001-010	KNIFE BLOCK	1
11	JINP/W500EUT-001-009	GUIDE BLOCK	1
12	JINP/W500EUT-001-002	SWING BAR	1
13	JINP/W500EUT-001-013	PRESSURE PLATE	1
14	JIN350018-91	UPPER CUTTER	1
15	JIN350024. A	MOVE THE KNIFE	1
16	JINP/W500EUT-001-017	GUIDE BLOCK	2
17	JINP/W500EUT-001-003	PRESSURE PLATE	1
18	JIN361. 01-02/FS	CUTTER HEAD	1
19	JINP/W500EUT-001-007	LINE CROSSING	1
20	JINTE2198	SCREW	3
21	JINTE918. B	SCREW	2
22	JINTE919. A	SCREW	4
23	JINP/W500EUT-001-014	SCREW	2
24	JINTE917	SCREW	2
25	JINTE916	SCREW	1
26	JINP/W500EUT-001-018	SHIM	1
27	JIN361. 01-05/FS	PLATE	1
28	JINGB/T97. 1-2. 5-140HV-FH	SHIM	4
29	JINP/W500EUT-003-001	PLATE	1
30	JINP/W500EUT-003-002	PLATE	1
31	JINTE1345	SCREW	1
32	JINGB/T96-4-140HV-Zn-B	SHIM	1
33	JINP/W500EUT-003-003	LINE CROSSING	1
34	JINTE1100	SCREW	4
35	JINGB/T1972. B-12. 5-1-FH	SHIM	2
36	JINGB/T6172. 1-M5-04-FH	NUT	1
37	JINTE1081	SCREW	1
38	JINGB/T119. 2-2X5-B	PIN	1
39	JINTE852 (0. 2)	SHIM	1
40	JINP/W600EUT-002-002	POWER CORD	1
41	JINBF31016JXZZ-1	SLICE KNIFE COMPONENTS	1

36. ST



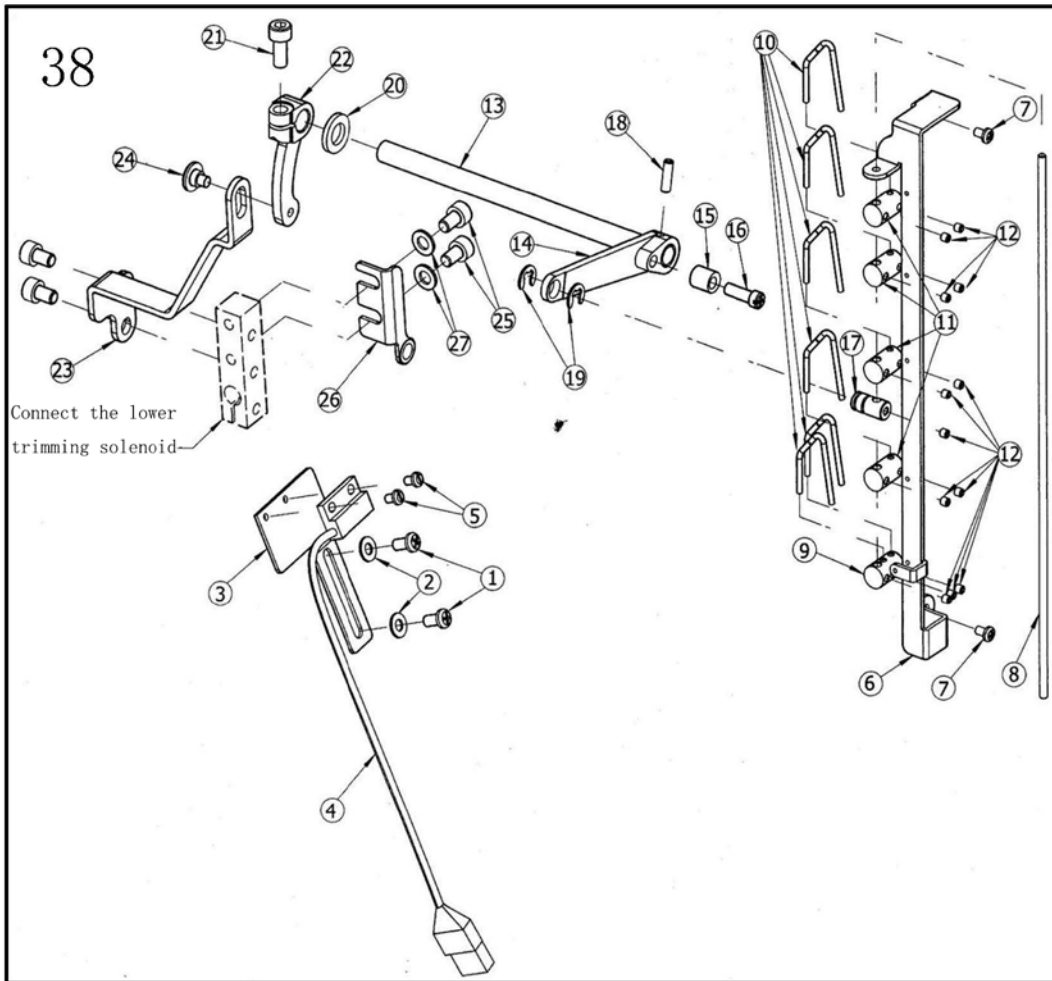
NO	CODE	NAME	Qty
1	JINP/W600EST-001	PLATE	1
2	JINGB/T6170-M3-8-FH	NUT	3
3	JINP/W600EST-007	UPPER BLADE	1
4	JINP/W600EST-004	PLATE	1
5	JINKE232	PLATE	1
6	JINKE233	PLATE	1
7	JINP/W600EST-018	NUT	1
8	JINP/W600EST-002	FIXED SEAT	1
9	JINTE527	SCREW	4
10	JINGB/T97.1-3-140Hv-Zn-B	SHIM	2
11	JINGB/T93-3-65Mn-FH	SHIM	3
12	JINGB/T70.1-M3X14-12.9-FH	SCREW	1
13	JINGB/97.1-4-A140	SHIM	4
14	JINGB/T70.2-M4X8-12.9-FH	SCREW	4
15	JINGB/T70.2-M3X4-10.9-FH	SCREW	1
16	JINGB/T70.2-M4X8-10.9-FH	SCREW	1
17	JINTE1094	SCREW	2
18	JINTE2023	ELECTRNMAGNET	1
19	JINP/W600EST-006	SWING SEAT	1
20	JINP/W600EST-005	MOUNTING BRACKET	1
21	JINTE1097	SCREW	1
22	JINP/W600EST-011	SCREW	1
23	JINST18	UPPER CUTTER	1
24	JINTE233	SCREW	2
25	JINTE655	SCREW	2
26	JINP/W600EST-003	FIXING FRAME	1
27	JINTE1098	SCREW	2
28	JINTE1096	SCREW	1
29	JINP/W600EST-019	SHIM	2
30	JINP/W600EST-013	SPRIN	1
31	JINBF31016JXZZ-2	KNIFE HOLDER ASSASSEMBLY	1

37. WP



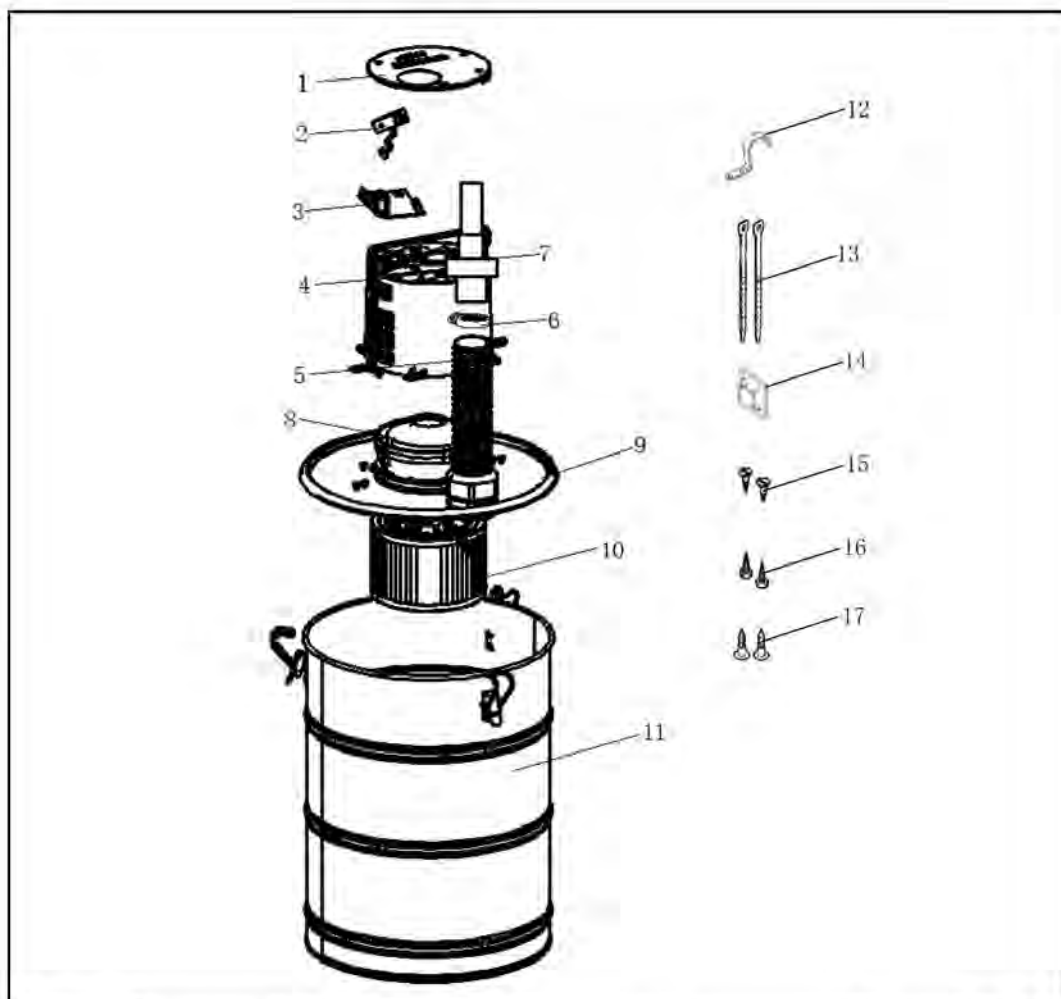
<b>NO</b>	<b>CODE</b>	<b>NAME</b>	<b>Qty</b>
1	JINP/W600EWP-001	PLATE	1
2	JINTE2144	ELECTRNMAGNET	1
3	JINP/W600EWP-002	PLATE	1
4	JINP/W600EWP-003	PLATE	1
5	JINP/W600EWP-004	BLADE	1
6	JINP/W600EWP-009	SCREW	1
7	JINP/W600EWP-006	SWING FRAME	1
8	JINP/W600EWP-007	SWING BAR	1
9	JINP/W600EWP-010	PIN	1
10	JINGB/T70. 1-M4X8-12. 9-FH	SCREW	1
11	JINGB/T896-3-65Mn-FH	SNAP RING	1
12	JINGB/T896-6-65Mn-FH	SNAP RING	2
13	JINTE805	SCREW	1
14	JINGB/T6172. 1-M3-04-Zn-B	NUT	2
15	JINGB/T93-3-65Mn-FH	SHIM	2
16	JINTE1081	SCREW	1
17	JINTE2155	SCREW	1
18	JINGB/T97. 1-2-140HV-FH	SHIM	1
19	JINBF31016JXZZ-3	WIPER ASSEMBLY	1

38. TT



NO	CODE	NAME	Qty
1	JIN007019A/P	SCREW	2
2	JINGB/T97.1-A140	SHIM	2
3	JINP/W500ETT-003-001	FIXED SEAT	1
4	JINP/W600ETT-001-002	WIRE	1
5	JINGB/T823-M3X6-8.8-FH	SCREW	2
6	JINP/W600ETT--006	WIRE BOARD	1
7	JIN007017A/P	SCREW	2
8	JINP/W600TT-005-001	TAKE UP POLE	1
9	JINP/W600TT-005-002	BOTTOM LINE POST	1
10	JINTE1173	LOOSE THE THREAD	6
11	JINP/W600ETT-005-003	LINE COLUMN	4
12	JINGB/T77-M3X3-45H-FH	SCREW	12
13	JINP/W600ETT-009-001	PINE POST	1
14	JINP/W600ETT-009-002	SLACK ROD	1
15	JINP/W600ETT-009-003	SET	1
16	JINTE1175	SCREW	1
17	JINP/W600ETT-009-004	PIPE SOCKET	1
18	JINGB/T879.2-3X12-FH	PIN	1
19	JINGB/T896-5-65Mn-FH	SNAP RING	2
20	JINP/W600ETT-004	SHIM	1
21	JINGB/T70.1-M5X12-12.9-FH	SCREW	1
22	JIN381.06-03/FS	CRANK	1
23	JINP/W500ETT-001	PLATE	1
24	JINTE1177B	SCREW	1
25	JINGB/T70.1-M5X8-12.9-FH	SCREW	4
26	JINP/W500ETT-002-001	PLATE	1
27	JINGB/T97.1-5-140HV-Zn-B	SHIM	2

### 39. Electric suction device for F1(JINBF3202635ABXFZZ)



序号	品号	名称	数量
1	JIN202881002000	Upper barrel lid	1
2	JIN204881002000	Knob switch control board	1
3	JIN204881001000	Control panel	1
4	JIN301881001000	Upper barrel components	1
5	JIN206881014000	∅40 Bellows	1
6	JIN206881031000	Hose Clamp	1
7	JIN206881022000	Hopper	1
8	JIN301881002000	Motor components	1
9	JIN201881002300	Lower barrel lid	1
10	JIN206881005000	Filter	1
11	JIN201881001000	Lower barrel	1
12	JINBF3202635ABXFZZ-7	Bracket	2
13	JINBF3202635ABXFZZ-8	Ligature Band	2
14	JINBF3202635ABXFZZ-9	Bracket	1
15	JINBF3202635ABXFZZ-10	Screw	2
16	JINBF3202635ABXFZZ-11	Screw	2
17	JINBF3202635ABXFZZ-12	Screw	2