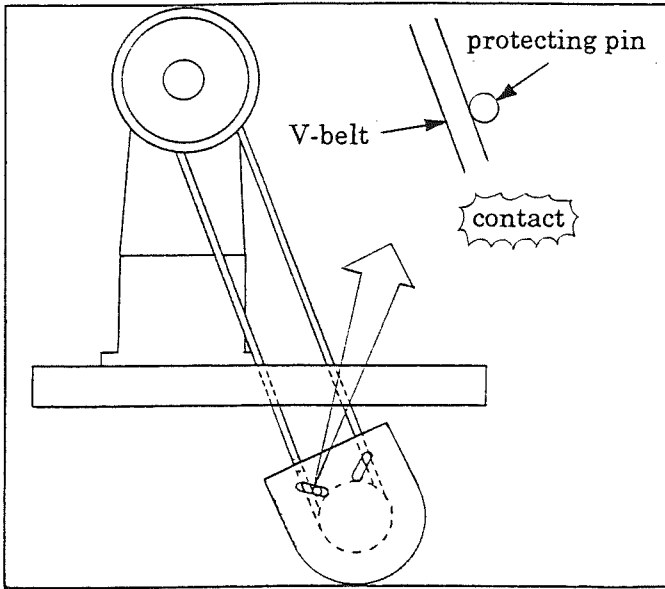




# Cautions in installation for the motor pulley cover

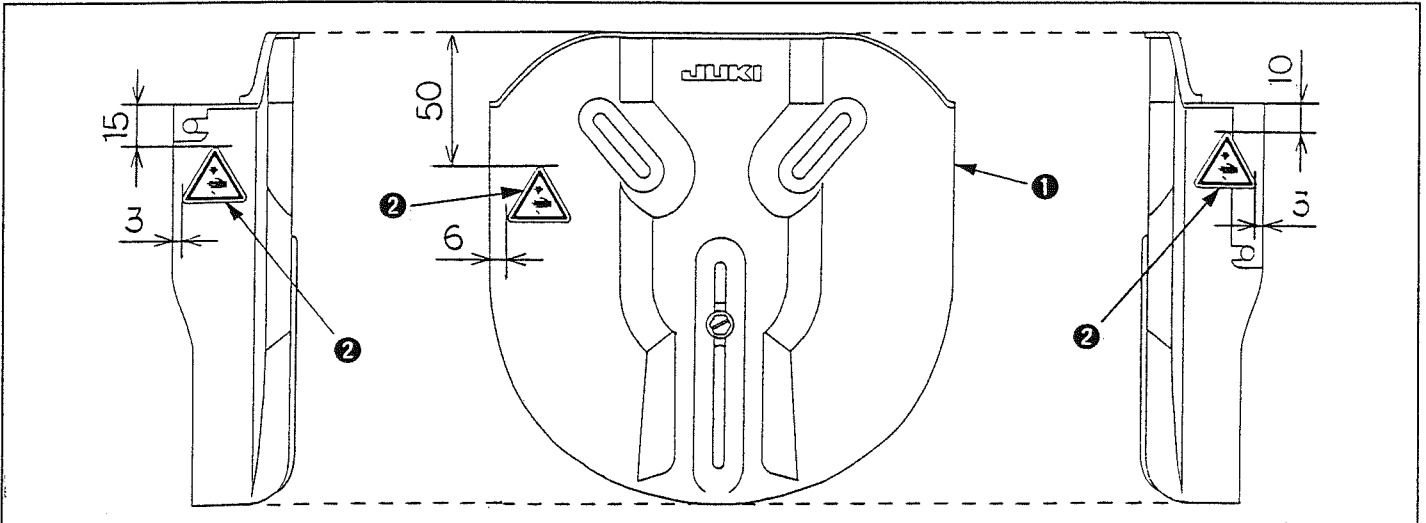
No.00  
29283306



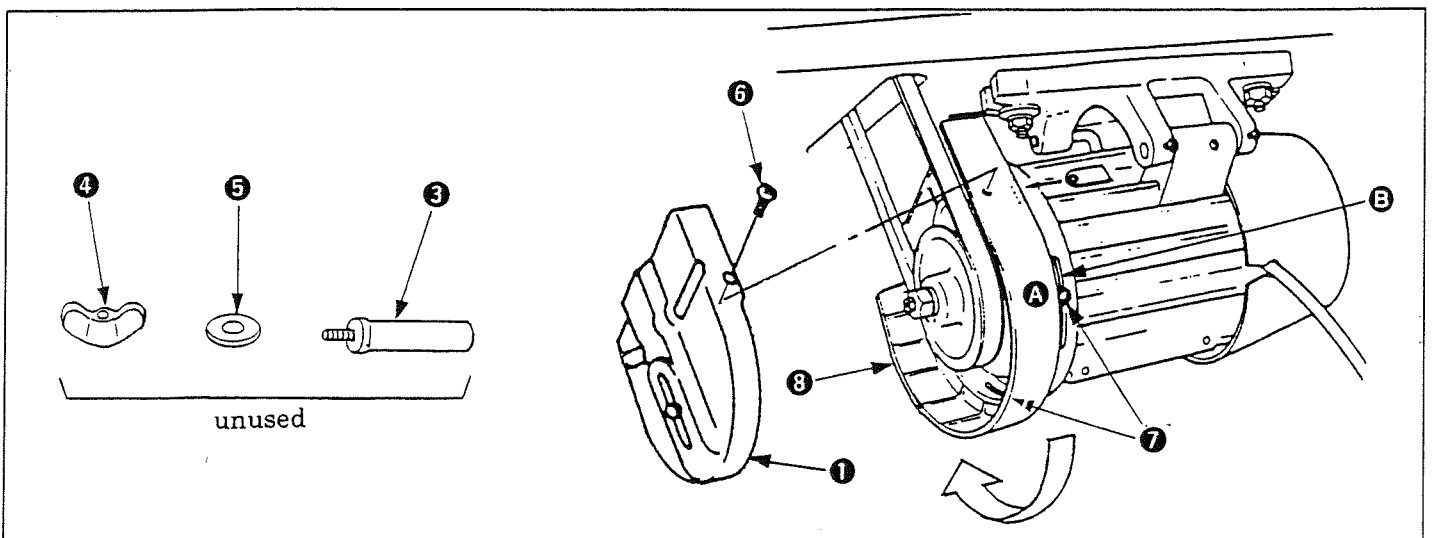
With this sewing machine, if you use the protecting pin of the motor pulley cover, V-belt will come in contact with the motor pulley cover.  
To prevent such state, be sure to perform the following tasks before installing the motor pulley cover.



Turn OFF the power before starting the work so as to prevent accidents caused by abrupt start of the sewing machine.



1) Put the warning seals **2** (three) on the stated position on the motor pulley cover **1**.



- 2) Without using the protecting pin **3**, screw **4**, washer **5**, attach the motor pulley cover **1** using screws **6** (two). (You need not attach and adjust the protecting pin described in the Instruction Manual supplied with the machine.)
- 3) Loosen screws **7** (two), rotate the motor pulley cover (the bottom) **8** clockwise until screw **7A** on this side reach the top of groove **E**, and then tighten screws **7** again. (Follow the Instruction Manual as to adjustment for belt slip-off preventing bracket.)