

PARTS LIST

DDL-900B PARTS LIST

下記 URL (PARTS Website/PC サイト) より、便利な検索機能のついた Web Parts Book をご利用頂けます。
ご利用には会員登録が必要です。(無料)

<https://juki.aftama.com/JUKI/JA>

You can use a Web Parts Book with a convenient search function from the URLs (PARTS Website/PC-site)
below. To use the PARTS Website, free membership registration is required.

<https://juki.aftama.com/JUKI/EN>

HOW TO MAKE USE OF THIS PARTS LIST

1.Explanation of codes

1)"*" mark.....means this part is changed from the previous parts book.

As to the details of the change, refer to "List for information of change".

2)"#01".....refer to "Note" explanation at bottom of page.

2.Codes on the "Qty" column

• Each numeral indicates the number of parts required.

• "0.1" and "2.5" indicate the length (in meters) of the respective parts.

3.Parentheses mean that the corresponding part is a subpart that constructs an assembly part.

4.Dotted lines on the Figures indicate assembly parts.

5.As to the parts with marks of "☆" (consumable parts) and "◎" (optional parts) on the respective parts,

it is recommended to prepare spares.

パーツリストご利用に際して

1. "注記" 欄の記号説明

1) "*" 印 前回のパーツブックに比較して今回変更された部品を意味します。

変更内容は"変更情報リスト"を参照してください。

2) "#01" ページ下の"注記"の説明を参照してください。

2. 数量欄の数字は、個数を表し、0.1、2.5等の数値は、長さ(単位メートル)を表します。

3. 数量欄の()は、組部品を構成している子部品であることを意味します。

4. イラストページの-----枠は、組構成であることを意味します。

5. リストページの"☆" (消耗部品)、"◎" (オプション部品)の印がついた部品は、

予備を準備しておくことをお奨めします。

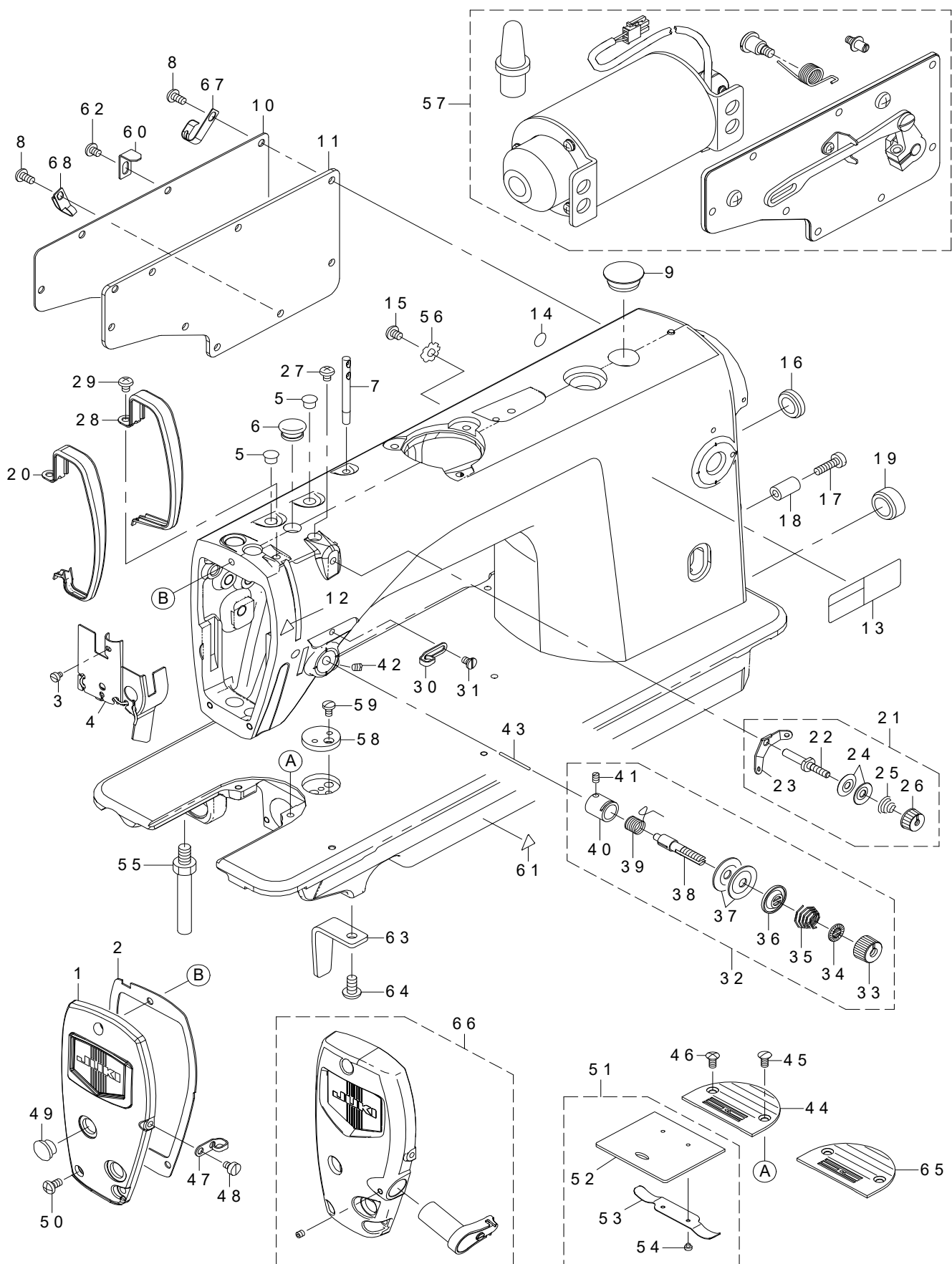
CONTENTS

目次

| | |
|--|----|
| 1. FRAME & MISCELLANEOUS COVER COMPONENTS | 1 |
| 頭部・外装関係 | |
| 2. BOBBIN WINDER COMPONENTS | 3 |
| 糸巻装置関係 | |
| 3. MAIN SHAFT & THREAD TAKE-UP LEVER COMPONENTS | 5 |
| 上軸・天秤関係 | |
| 4. NEEDLE BAR, UPRIGHT SHAFT & HOOK DRIVING SHAFT COMPONENTS | 7 |
| 針棒・立軸・下軸関係 | |
| 5. HAND LIFTER COMPONENTS | 9 |
| 押え上げ関係 | |
| 6. FEED MECHANISM COMPONENTS | 11 |
| 送り関係 | |
| 7. THREAD TRIMMER COMPONENTS | 13 |
| 糸切り装置関係 | |
| 8. AUTOMATIC REVERSE FEED COMPONENTS..... | 15 |
| 自動逆送り関係 | |
| 9. WIPER COMPONENTS (WB)..... | 16 |
| ワイパー関係 (WB) | |
| 10. OIL LUBRICATION COMPONENTS..... | 17 |
| 給油関係 | |
| 11. UNDER COVER COMPONENTS | 19 |
| アンダーカバー関係 | |
| 12. PSC UNIT..... | 21 |
| PSC ユニット | |
| 13. THREAD STAND COMPONENTS..... | 23 |
| 糸立装置関係 | |
| 14. ACCESSORIE PARTS COMPONENTS | 25 |
| 付属品関係 | |
| 15. EXCLUSIVE PARTS FOR H..... | 26 |
| H 専用部品 | |
| 16. EXCLUSIVE PARTS TYPE NB..... | 27 |
| NB 仕様専用部品 | |
| 17. LIST FOR INFORMATION OF CHANGE..... | 28 |
| 変更情報リスト | |
| NUMERICAL INDEX OF PARTS..... | 29 |
| 索引 | |

1. FRAME & MISCELLANEOUS COVER COMPONENTS

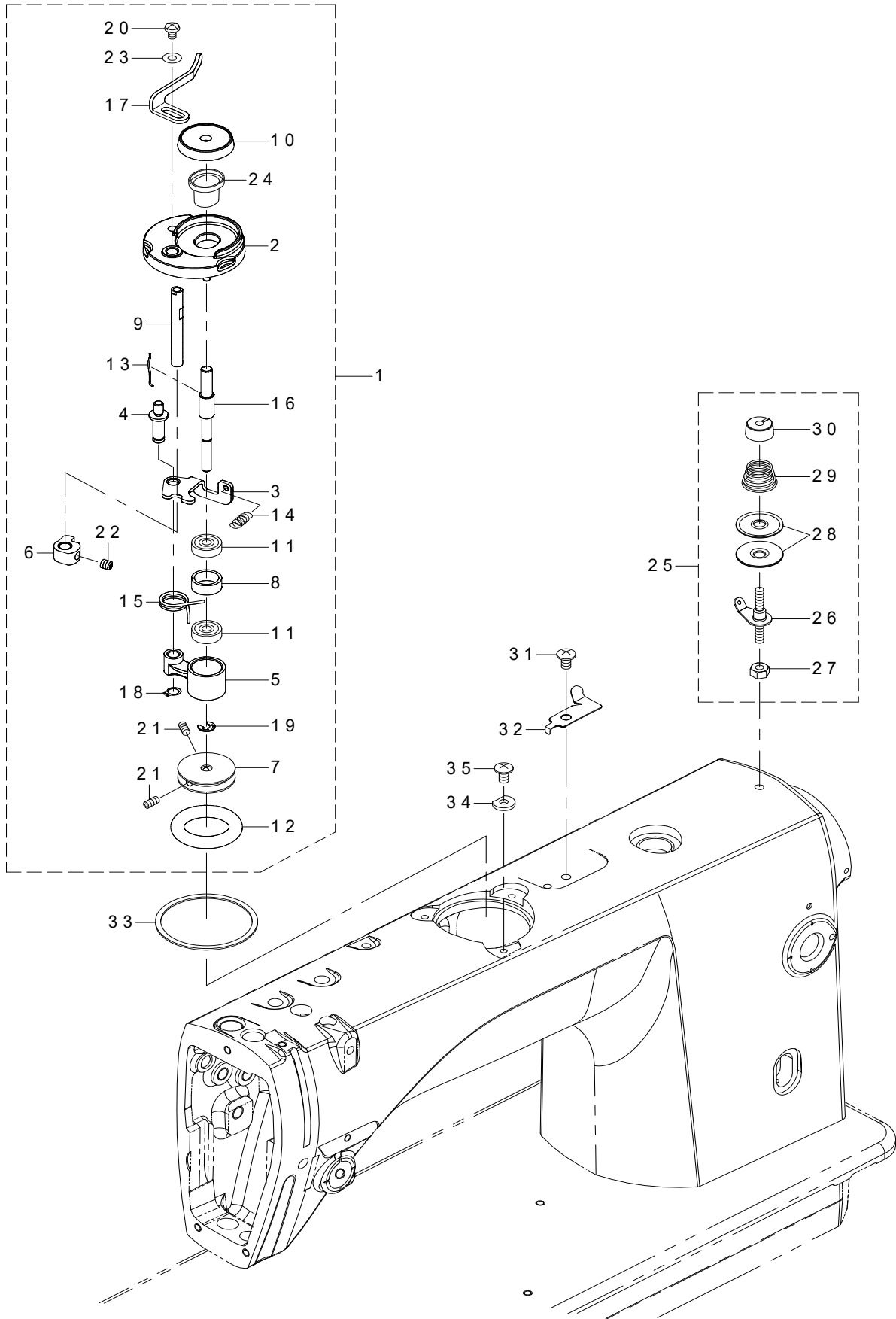
頭部 · 外裝關係



| REF.NO | NOTE | PART NO | DESCRIPTION | 品名 | Qty |
|--------|------|---------------|---|---------------------|-----|
| 1 | | 401-02097 | FACE_PLATE_ASM. | 面板(組) | 1 |
| 2 | | 400-12126 | FACE PLATE PACKING | 面板パッキン | 1 |
| 3 | | SS-6080410-SP | SCREW 1/8-44 L=4 | 平ねじ 1/8-44 L=4 | 1 |
| 4 | | 401-56677 | ARM OIL SHIELD ASSY | 面部油防板(組) | 1 |
| 5 | | TA-0850604-R0 | RUBBER PLUG | 止め栓 | 2 |
| 6 | | TA-1250705-R0 | RUBBER PLUG | 止め栓 | 1 |
| 7 | | 229-58300 | NEEDLE THREAD GUIDE PIN | 糸案内棒 | 1 |
| 8 | | SS-4120925-SP | SCREW 3/16-28 L=9 | なべねじ 3/16-28 L=9 | 8 |
| 9 | | TA-2100904-R0 | RUBBER PLUG | 止め栓 | 1 |
| 10 | | 229-00401 | WINDOW PLATE | 窓板 | 1 |
| 11 | | 400-12129 | SIDE PLATE PACKING | 窓板パッキン | 1 |
| 12 | | CM-3002000-01 | FINGER INJURY CAUTION LABEL (16) | 指げが注意シール(16) | 2 |
| 13 | | 401-02261 | SAFETY_LABEL_S | 安全ラベル | 1 |
| 14 | | 229-01805 | GROUND MARK | グラウンドマーク | 1 |
| 15 | | SS-4120615-SP | SCREW 3/16-28 L=6 | なべねじ 3/16-28 L=6 | 1 |
| 16 | | TA-2000502-R0 | RUBBER PLUG | 止め栓 | 1 |
| 17 | | SS-6121840-SP | SCREW 3/16-28 L=18 | 平ねじ 3/16-28 L=18 | 1 |
| 18 | | 229-52501 | BACK LEVER STOPPER | バックレバーストッパー | 1 |
| 19 | | TA-2101002-R0 | RUBBER PLUG | 止め栓 | 1 |
| 20 | #02 | 114-15205 | THREAD TAKE-UP LEVER COVER(JE) | 天秤カバー(JE仕様) | 1 |
| 21 | | 229-45463 | THREAD TENSION ASM. NO.1 | 第一糸調子(組) | 1 |
| 22 | | 229-45414 | THREAD TENSION POST | 第一糸調子棒 | (1) |
| 23 | | 229-45604 | THREAD TENSION GUIDE | 第一糸調子案内 | (1) |
| 24 | | 229-45802 | THREAD TENSION DISK | 第一糸調子皿 | (2) |
| 25 | | 229-45505 | THREAD TENSION SPRING | 第一糸調子ばね | (1) |
| 26 | | 229-45703 | THREAD TENSION NUT | 第一糸調子ナット | (1) |
| 27 | | SS-4120615-SP | SCREW 3/16-28 L=6 | なべねじ 3/16-28 L=6 | 1 |
| 28 | #02 | 229-00609 | THREAD TAKE-UP LEVER COVER | 天秤カバー | 1 |
| 29 | | SS-4120615-SP | SCREW 3/16-28 L=6 | なべねじ 3/16-28 L=6 | 1 |
| 30 | | 229-20508 | ARM THREAD GUIDE A | アーム糸案内A | 1 |
| 31 | | 229-21001 | SCREW | アーム糸案内A止めねじ | 1 |
| 32 | | 229-45356 | THREAD TENSION ASM. | 糸調子(組) | 1 |
| 33 | | 229-21308 | THREAD TENSION NUT | 糸調子ナット | (1) |
| 34 | | 229-21407 | ROTATION STOPPER | 糸調子皿回転止め | (1) |
| 35 | | 229-21704 | THREAD TENSION SPRING A | 糸調子ばね(A) | (1) |
| 36 | | 229-21803 | DISK STOPPER | 糸調子皿押え | (1) |
| 37 | | 229-21506 | THREAD TENSION DISK | 糸調子皿 | (2) |
| 38 | | 229-21209 | THREAD TENSION POST | 糸調子棒 | (1) |
| 39 | ☆ | 229-21605 | THREAD TAKE-UP SPRING | 糸取りばね | (1) |
| 40 | | 229-45307 | THREAD TENSION POST BASE | 糸調子棒台 | (1) |
| 41 | | SS-8090670-SP | SCREW 9/64-40 L=5.5 | 止めねじ 9/64-40 L=5.5 | (1) |
| 42 | | SS-8150710-TP | SCREW 15/64-28 L=7 | 止めねじ 15/64-28 L=7 | 1 |
| 43 | | 229-20904 | TENSION RELEASING | 糸緩めピン | 1 |
| 44 | | B1109-552-000 | THROAT PLATE | 針板 | 1 |
| 45 | | SS-2110920-TP | SCREW 11/64-40 L=8.5 | 丸皿ねじ 11/64-40 L=8.5 | 1 |
| 46 | | SS-2110915-SP | SCREW 11/64-40 L=8.5 | 丸皿ねじ 11/64-40 L=8.5 | 1 |
| 47 | | 229-20607 | ARM THREAD GUIDE B | アーム糸案内 B | 1 |
| 48 | | SS-6110610-TP | SCREW 11/64-40 L=6 | 平ねじ 11/64-40 L=6 | 1 |
| 49 | | TA-1250406-R0 | RUBBER PLUG D=12.5 L=4 | 止め栓 D=12.5 L=4 | 2 |
| 50 | | SS-4120925-SP | SCREW 3/16-28 L=9 | なべねじ 3/16-28 L=9 | 3 |
| 51 | | 229-01250 | SLIDE PLATE ASM. | 滑り板(組) | 1 |
| 52 | | 229-01201 | SLIDE PLATE | 滑り板 | (1) |
| 53 | | 229-01300 | SLIDE PLATE SPRING | 滑り板ばね | (1) |
| 54 | | SS-6060210-SP | SCREW 3/32-56 L=1.9 | 平ねじ 3/32-56 L=1.9 | (2) |
| 55 | | 229-01003 | BED SCREW STUD | ベッド支柱 | 3 |
| 56 | | WT-0530002-KS | TOOTHED WASHER D=5.3 | 歯付き座金 D=5.3 | 1 |
| 57 | #01 | 401-88851 | AK85B_DEVICE_900B | AK85B装置_900B | 1 |
| 58 | | 400-99083 | RULER STOP SEAT | 定規止め座 | 1 |
| 59 | | SS-7110720-SP | SCREW 11/64-40 L=7 | 丸平ねじ 11/64-40 L=7 | 2 |
| 60 | | 401-26308 | CORD_CLAMP | コード止金具 | 1 |
| 61 | | CM-3002000-01 | FINGER INJURY CAUTION LABEL (16) | 指げが注意シール(16) | 1 |
| 62 | | SS-4120615-SP | SCREW 3/16-28 L=6 | なべねじ 3/16-28 L=6 | 1 |
| 63 | | 401-32099 | BED_STD_R | ベッド支柱_R | 1 |
| 64 | | SS-4151215-SP | SCREW 15/64-28 L=12 | なべねじ 15/64-28 L=12 | 1 |
| 65 | #01 | 401-82291 | THROAT_PLATE_G | 針板_G | 1 |
| 66 | #01 | 401-40080 | FACE_PLATE_ASSY | 面板組 | 1 |
| 67 | | 401-36258 | CORD HOLDER | コード押え | 1 |
| 68 | | 400-22407 | CORD HOLDER | コード押え | 1 |
| | | NOTE(注記) | #01....OPTIONAL PARTS #02....VARIOUS NOS. FOR DESTINATIONS | オプション部品 仕向地による | |

2. BOBBIN WINDER COMPONENTS

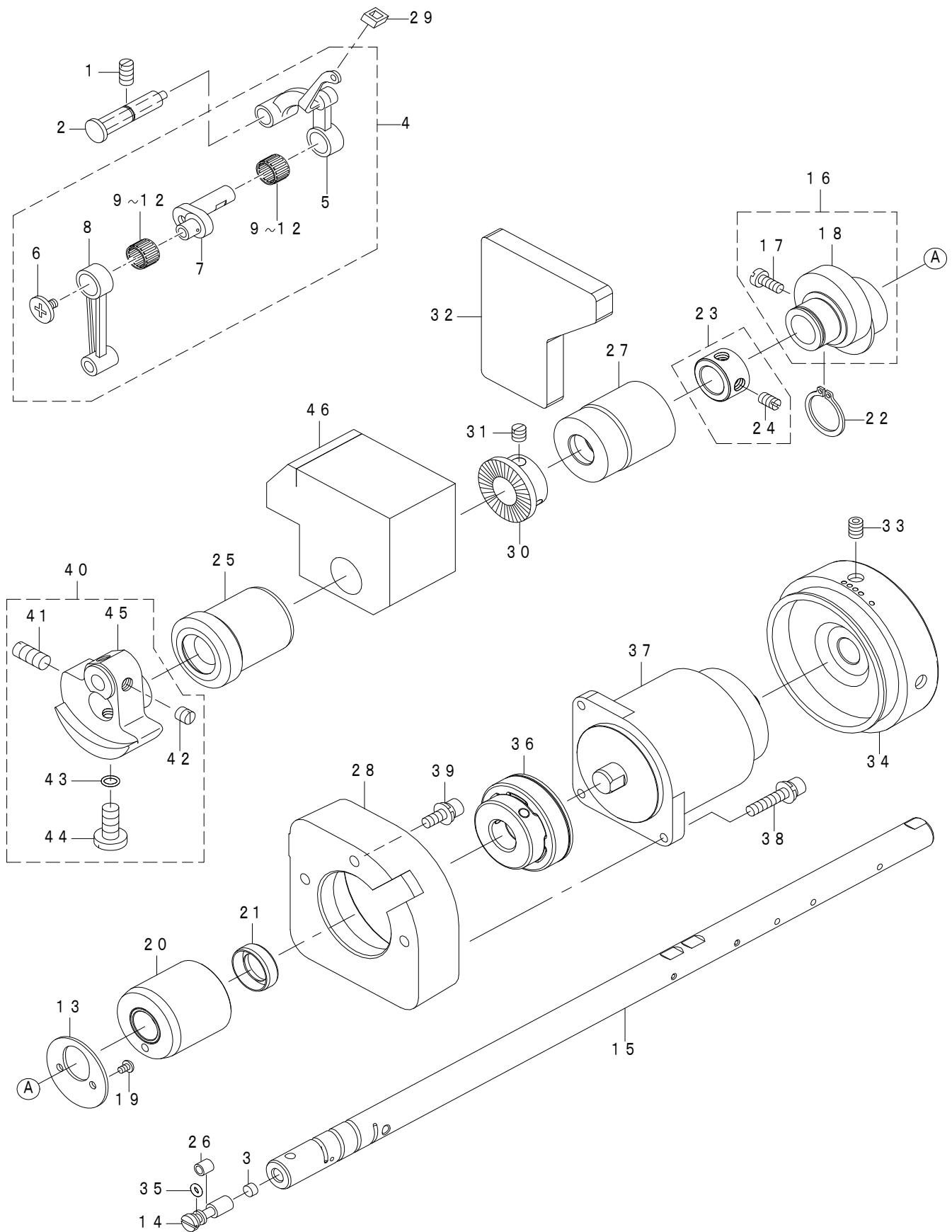
糸巻装置関係



| REF.NO | NOTE | PART NO | DESCRIPTION | 品名 | Qty |
|--------|------|---------------|----------------------------|-----------------|-----|
| 1 | | 401-10976 | BOBBIN_WINDER_UNIT | 糸巻き装置結合 | 1 |
| 2 | | 262-60109 | BTW_BASE | 糸巻き取付け台 | (1) |
| 3 | | 262-60208 | BTW_CAM_PLATE | 糸巻き調節板 | (1) |
| 4 | | 262-60307 | BTW_BASE_SHAFT | 糸巻き調節板軸 | (1) |
| 5 | | 262-60406 | BTW_SHAFT_BASE | 糸巻き腕 | (1) |
| 6 | | 262-60505 | BTW_CAM_LEVER | 糸巻きカム | (1) |
| 7 | | 262-60604 | BTW_WHEEL | 糸巻き車 | (1) |
| 8 | | 262-60802 | BTW_BEARING_SPACER | ベアリングスペーサー | (1) |
| 9 | | 262-61008 | BTW_LEVER_SHAFT | 糸巻きレバー軸 | (1) |
| 10 | | 262-61206 | BTW_SPACER | ボビン座 | (1) |
| 11 | | 262-61305 | BTW_BEARING | 糸巻き軸ベアリング | (2) |
| 12 | ☆ | 262-61503 | BTW_WHEEL_RUBBER | 糸巻き摩擦車 | (1) |
| 13 | ☆ | 262-61602 | BOBBIN_SPRING | ボビン止めばね | (1) |
| 14 | | 262-61701 | BTW_SPRING | 糸巻き調節板戻しばね | (1) |
| 15 | | 400-11144 | BTW_TORSION_SPRING | 糸巻きねじりばね | (1) |
| 16 | | 401-10975 | BTW_SHAFT | 糸巻き軸 | (1) |
| 17 | | 400-21933 | BTW_LEVER | 糸巻きレバー | (1) |
| 18 | | RC-0560711-KP | RETAINING RING | C形止め輪 | (1) |
| 19 | | RE-0400000-K0 | E-RING 4 | E形止め輪 4 | (1) |
| 20 | | SM-5040655-SN | SCREW | バインドねじ | (1) |
| 21 | | SM-8040802-TP | SCREW M4X8 | 止めねじ M4X0.7 L=8 | (2) |
| 22 | | SM-8050502-TP | SCREW M5 L=5 | 止めねじ | (1) |
| 23 | | WP-0450826-SC | WASHER 4.5X10X0.8 | 平座金 4.5X10X0.8 | (1) |
| 24 | | 401-19475 | OIL_GUARD | オイルガード | (1) |
| 25 | | 401-10731 | BOBBIN_THREAD_TENSION_ASSY | 糸巻き糸調子(組) | 1 |
| 26 | | 401-10734 | BOBBIN_THREAD_ROD_ASSY | 糸巻き糸調子棒(結合) | (1) |
| 27 | | NS-6120630-SP | NUT 3/16-28 | 六角ナット 3/16-28 | (1) |
| 28 | | 229-21506 | THREAD TENSION DISK | 糸調子皿 | (2) |
| 29 | | D7133-555-B00 | CONNECTING ROD SPRING | 下連結棒ばね | (1) |
| 30 | | 229-45703 | THREAD TENSION NUT | 第一糸調子ナット | (1) |
| 31 | | SM-0050801-SC | SCREW | トラスねじ M5 L=8 | 1 |
| 32 | | 400-37008 | THREAD_CUTTER | 糸切り保持板 | 1 |
| 33 | | 401-63521 | PACKING | 糸巻き取付け台パッキン | 1 |
| 34 | | 401-13241 | BTW SPACER | 下糸巻き装置スペーサ | 1 |
| 35 | | SM-0050801-SC | SCREW | トラスねじ M5 L=8 | 3 |

3. MAIN SHAFT & THREAD TAKE-UP LEVER COMPONENTS

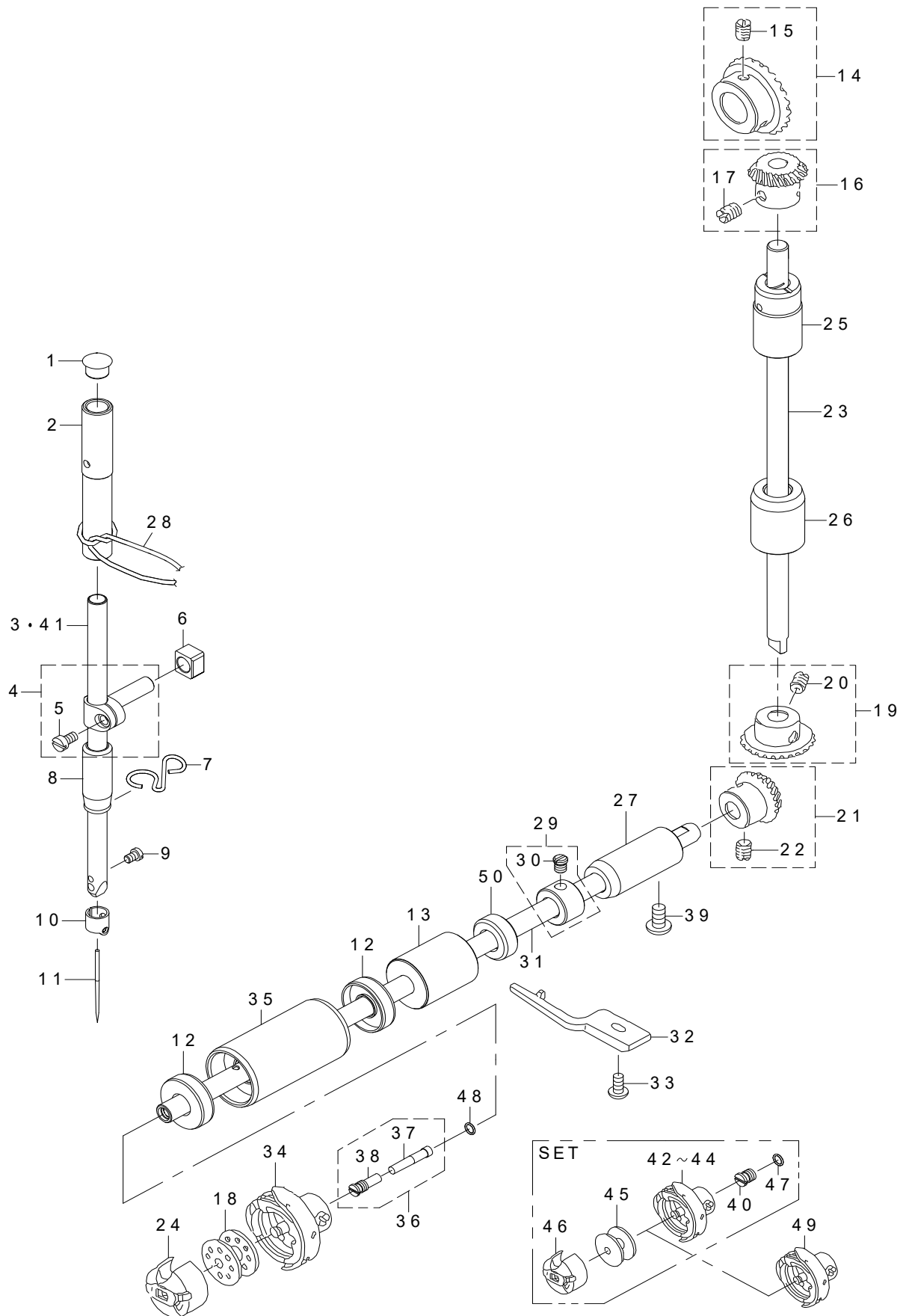
上軸・天秤関係



| REF.NO | NOTE | PART NO | DESCRIPTION | 品名 | Qty |
|--------|------|---------------|---------------------------------|----------------------|-----|
| 1 | | SS-8151150-TP | SCREW 15/64-28 L=10.5 | 止めねじ 15/64-28 L=10.5 | 1 |
| 2 | | 229-19559 | THREAD TAKE-UP CRANK SHAFT ASM. | 天秤支え軸 (組) | 1 |
| 3 | | 110-02904 | ROLLER FELT | 面部油量調節フェルト | 1 |
| 4 | | 229-18072 | THREAD TAKE-UP LEVER COMPL. | リンク天秤 (結合) | 1 |
| 5 | | 229-18064 | THREAD TAKE-UP LEVER ASM. | リンク天秤 (組) | (1) |
| 6 | | 229-18304 | LEFT SCREW | 左ねじ | (1) |
| 7 | | 229-18106 | NEEDLE BAR CRANK | 針棒クランク | (1) |
| 8 | | 229-06606 | NEEDLE BAR CRANK ROD | 針棒クランクロッド | (1) |
| 9 | #01 | 229-18403 | NEEDLE BEARING A | 天秤ニードル軸受A | (2) |
| 10 | #01 | 229-18502 | NEEDLE BEARING B | 天秤ニードル軸受B | (2) |
| 11 | #01 | 229-18601 | NEEDLE BEARING C | 天秤ニードル軸受C | (2) |
| 12 | #01 | 229-18700 | NEEDLE BEARING D | 天秤ニードル軸受D | (2) |
| 13 | | 229-10103 | THRUST COLLAR | 送り偏心カムスラスト受 | 1 |
| 14 | | 229-03900 | ADJUSTING PIN | クランク油量調節ピン | 1 |
| 15 | | 401-10977 | MAIN_SHAFT | 上軸 | 1 |
| 16 | | 229-10053 | FEED DRIVE ECCENTRIC CAM ASM. | 送り偏心カム (組) | 1 |
| 17 | | SS-6661110-SP | SCREW 1/4-40 L=11 | 平ねじ 1/4-40 L=11 | (2) |
| 18 | | 229-10004 | FEED DRIVE ECCENTRIC CAM | 送り偏心カム | (1) |
| 19 | | SS-4090615-SP | SCREW 9/64-40 L=6 | なべねじ 9/64-40 L=6 | 2 |
| 20 | | 401-10978 | MAIN_SHAFT_BUSHING | 上軸後メタル | 1 |
| 21 | | 400-86740 | OIL SEAL | 水平送り軸オイルシール | 1 |
| 22 | | RC-1850001-KP | SNAP RING 18.5 | C形止め輪 18.5 | 1 |
| 23 | | 401-37504 | THRUST_COLLAR_ASM | 送り軸スラストカラー (組) | 1 |
| 24 | | SS-8660610-TP | SCREW 1/4-40 L=6 | 止めねじ 1/4-40 L=6 | (2) |
| 25 | | 229-03207 | MAIN SHAFT BUSHING FRONT | 上軸前メタル | 1 |
| 26 | | B1215-552-000 | OIL ADJUSTING COLLAR | クランク油量調節カラー | 1 |
| 27 | | 229-03306 | BUSHING INTERMEDIATE | 上軸中メタル | 1 |
| 28 | | 401-10979 | MAIN_MOTOR_BASE_76 | モーター取付台 | 1 |
| 29 | | 229-19203 | OIL PROTECTING RUBBER | 天秤油切りゴム | 1 |
| 30 | | 225-38805 | DRIVING WHEEL | 糸巻き駆動車 | 1 |
| 31 | | SS-8660610-TP | SCREW 1/4-40 L=6 | 止めねじ 1/4-40 L=6 | 2 |
| 32 | | 401-11424 | FILTER | フィルター | 1 |
| 33 | | SM-80608A2-TP | SCREW M6 L=8 | 六角穴付き止めねじ M6 L=8 | 2 |
| 34 | * | 402-00576 | HAND_PULLEY | はずみ車 | 1 |
| 35 | | RO-0291801-00 | RUBBER RING | Oリング | 1 |
| 36 | | 401-11025 | COUPLING_ASM. | カップリング (組) | 1 |
| 37 | | 401-40419 | SERVO MOTOR | サーボモータ | 1 |
| 38 | | SL-6052592-TN | BOLT | 座金付き六角穴ボルト | 3 |
| 39 | | SL-6051492-TN | BOLT | 座金付き六角穴ボルト | 3 |
| 40 | | 401-10390 | COUNTER_WEIGHT_ASM. | 釣合錘 (組) | 1 |
| 41 | | SS-8681650-TP | SCREW 9/32-28 L=16 | 止めねじ 9/32-28 L=16 | (1) |
| 42 | | SS-8660610-TP | SCREW 1/4-40 L=6 | 止めねじ 1/4-40 L=6 | (2) |
| 43 | | RO-0442401-00 | RUBBER RING | Oリング | (1) |
| 44 | | SS-7681650-TP | SCREW 9/32-28 L=16 | 丸平ねじ 9/32-28 L=16 | (1) |
| 45 | | 401-10376 | COUNTER_WEIGHT | 釣合錘 | (1) |
| 46 | * | 401-91470 | FILTER | フィルター | 1 |
| | | NOTE(注記) | #01....SELECTIVE PARTS | 選択部品 | |

4. NEEDLE BAR, UPRIGHT SHAFT & HOOK DRIVING SHAFT COMPONENTS

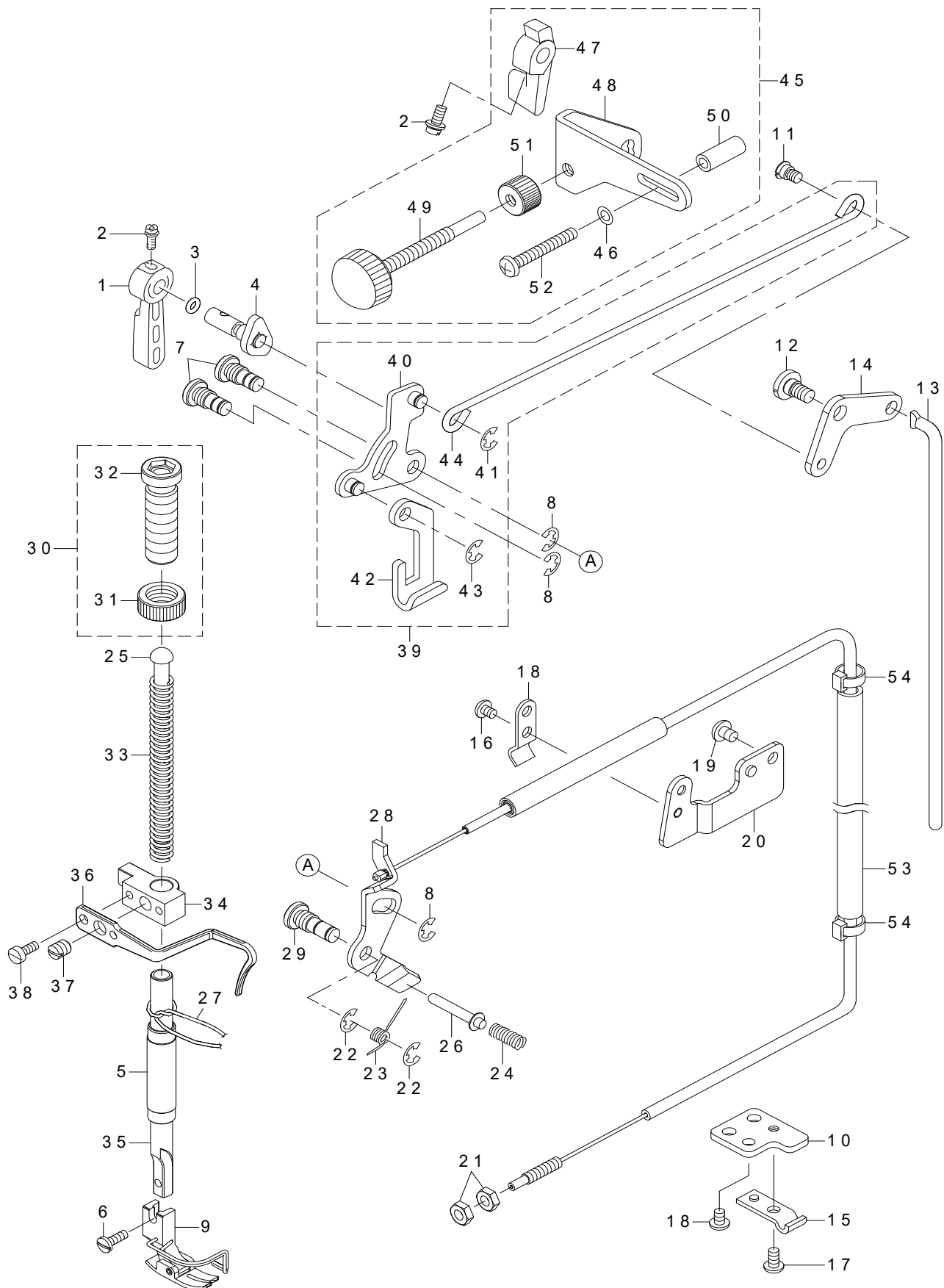
針棒・立軸・下軸関係



| REF.NO | NOTE | PART NO | DESCRIPTION | 品名 | Qty | |
|--------|------|---------------|-----------------------------------|--------------------|-----------|---|
| 1 | | TA-0850604-R0 | RUBBER PLUG | 止め栓 | 1 | |
| 2 | | 229-06101 | NEEDLE BAR BUSHING UPPER | 針棒上メタル | 1 | |
| 3 | | 229-39508 | NEEDLE BAR | 針棒 | 1 | |
| 4 | | 229-06457 | NEEDLE BAR HOLDER ASM. | 針棒抱き(組) | 1 | |
| 5 | | SS-6090670-TP | SCREW 9/64-40 L=6 | 平ねじ 9/64-40 L=6 | (1) | |
| 6 | | 400-90058 | SLIDE BLOCK | 針棒抱き案内コ口 | 1 | |
| 7 | | 401-41523 | NEEDLE BAR THREAD GUIDE P | 針棒糸案内 | 1 | |
| 8 | | 229-06200 | NEEDLE BAR BUSHING LOWER | 針棒下メタル | 1 | |
| 9 | ☆ | SS-7080510-TP | SCREW 1/8-44 L=4.5 | 丸平ねじ 1/8-44 L=4.5 | 1 | |
| 10 | | 229-06309 | NEEDLE BAR THREAD GUIDE | 針棒糸掛け | 1 | |
| 11 | ☆ | MDB-100B1400 | NEEDLE DBX1 #14 | 針 DBX1 #14 | 1 | |
| 12 | | 236-20206 | OIL SEAL | 釜軸前オイルシール | 2 | |
| 13 | | 401-84540 | HOOK_SHAFT_MIDDLE_METAL | 釜軸中メタル | 1 | |
| 14 | | 400-90002 | UPPER LARGE BEVEL GEAR ASM. | 上傘歯車大(組) | 1 | |
| 15 | | SS-8660810-TP | SCREW 1/4-40 L=8 | 止めねじ 1/4-40 L=8 | (2) | |
| 16 | | 400-90003 | UPPER SMALL BEVEL GEAR ASM. | 上傘歯車小(組) | 1 | |
| 17 | | SS-8660810-TP | SCREW 1/4-40 L=8 | 止めねじ 1/4-40 L=8 | (2) | |
| 18 | ☆ | 229-32909 | BOBBIN | ボビン | 1 | |
| 19 | | 400-90004 | LOWER LARGE BEVEL GEAR ASM. | 下傘歯車大(組) | 1 | |
| 20 | | SS-8660810-TP | SCREW 1/4-40 L=8 | 止めねじ 1/4-40 L=8 | (2) | |
| 21 | | 400-90005 | LOWER SMALL BEVEL GEAR ASM. | 下傘歯車小(組) | 1 | |
| 22 | | SS-8660810-TP | SCREW 1/4-40 L=8 | 止めねじ 1/4-40 L=8 | (2) | |
| 23 | | 229-05004 | UPRIGHT SHAFT | 立軸 | 1 | |
| 24 | ☆ | 110-38759 | BOBBIN CASE ASM. | ボビンケース(ばね入り) | 1 | |
| 25 | | 229-05103 | UPRIGHT SHAFT BUSHING UPPER | 立軸上メタル | 1 | |
| 26 | | 229-05202 | UPRIGHT SHAFT BUSHING LOWER | 立軸下メタル | 1 | |
| 27 | | 229-16308 | HOOK DRIVING SHAFT BUSH REAR | 立軸後ろメタル | 1 | |
| 28 | | CQ-2200000-00 | OIL WICK | 油芯 | 0.3 | |
| 29 | | 229-17157 | THRUST COLLAR ASM. REAR | 下軸スラスト受後ろ(組) | 1 | |
| 30 | | SS-6110420-TP | SCREW 11/64-40 L=4.8 | 平ねじ 11/64-40 L=4.8 | (2) | |
| 31 | | 401-27192 | HOOK_DRIVING_SHAFT | 釜軸 | 1 | |
| 32 | | 401-74351 | INNER_HOOK HOLDER | 中釜押え | 1 | |
| 33 | | SS-6111210-SP | SCREW 11/64-40 L=12 | 平ねじ 11/64-40 L=12 | 1 | |
| 34 | ☆ | 110-38650 | HOOK ASM. | 給油釜(組) | 1 | |
| 35 | | 401-84538 | HOOK_SHAFT_FRONT_METAL_ASM | 釜軸前メタル(組) | 1 | |
| 36 | ☆ | 229-16555 | OIL SEAL SCREW ASM. | 下軸前止めねじ(組) | 1 | |
| 37 | | 110-15906 | OIL WICK | 下軸前止めねじ油芯 | (1) | |
| 38 | | 229-16506 | SET SCREW | 下軸前止めねじ | (1) | |
| 39 | | SS-4120925-SP | SCREW 3/16-28 L=9 | なべ小ねじ 3/16-28 L=9 | 1 | |
| 40 | #01 | 110-79506 | FRONT SCREW | 下軸前止めねじ | 1 | |
| 41 | #02 | 229-39607 | NEEDLE BAR B | 針棒 B | 1 | |
| 42 | ☆ | #01 | 228-90404 | RP HOOK C | RP釜C | 1 |
| 43 | ☆ | #01 | 228-90206 | RP HOOK | RP釜 | 1 |
| 44 | ☆ | #01 | 228-90305 | RP HOOK S | RP釜S | 1 |
| 45 | ☆ | #01 | B9117-552-A00 | BOBBIN | ボビン | 1 |
| 46 | ☆ | #01 | 228-96252 | BOBBIN CASE ASM. | ボビンケース(組) | 1 |
| 47 | #01 | RO-0360802-00 | RUBBER RING | Oリング | 1 | |
| 48 | | RO-0360802-00 | RUBBER RING | Oリング | 1 | |
| 49 | #01 | 401-26849 | HOOK ASM. | 給油釜(組) | 1 | |
| 50 | | 228-90008 | HOOK DRIVING SHAFT OIL SEAL | 下軸オイルシール | 1 | |
| | | NOTE(注記) | #01.....OPTIONAL PARTS | オプション部品 | | |
| | | | #02.....ACCORDING TO DESTINATIONS | 仕向地による | | |

5. HAND LIFTER COMPONENTS

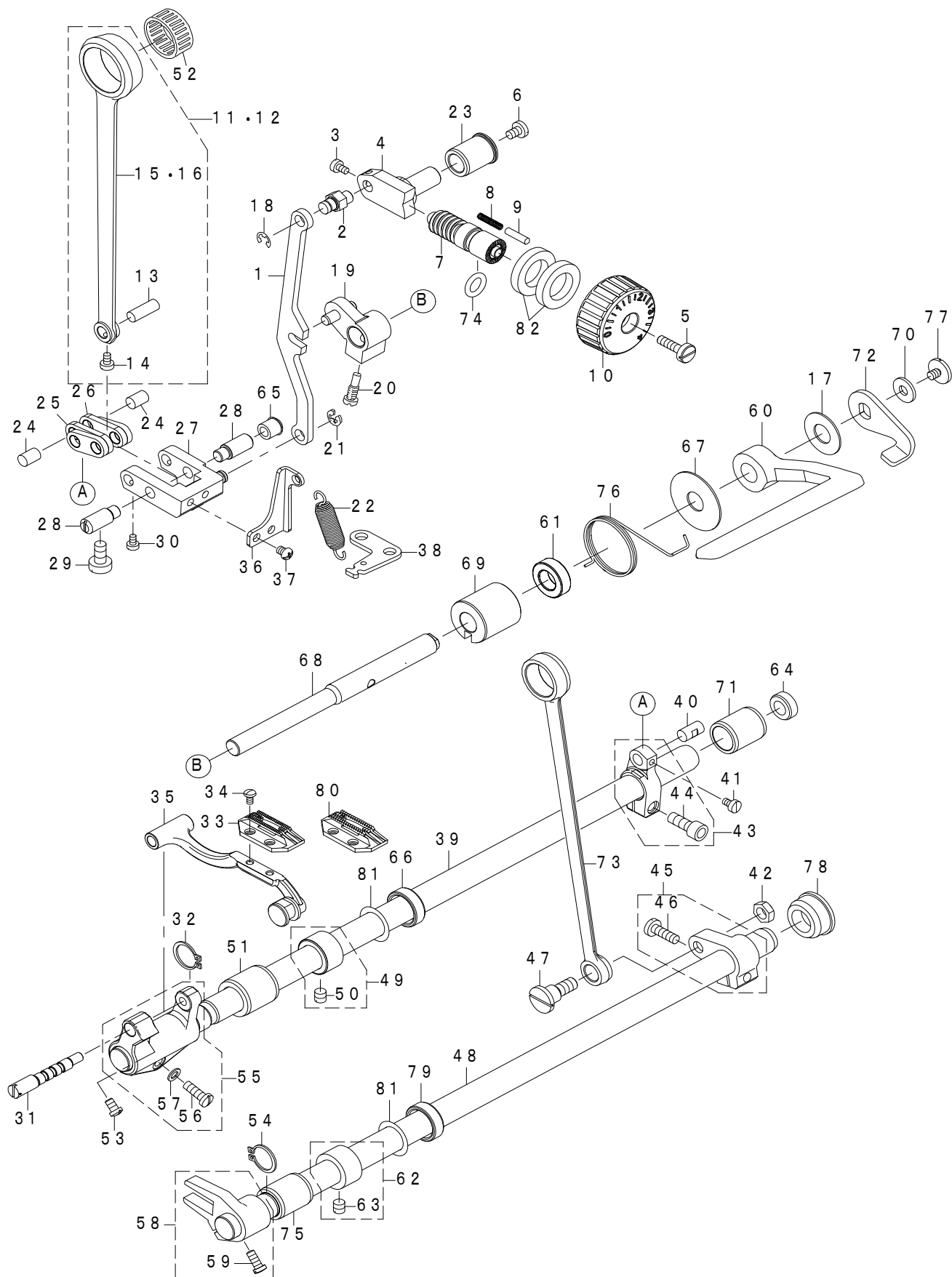
押え上げ関係



| REF.NO | NOTE | PART NO | DESCRIPTION | 品名 | Qty |
|--------|------|---------------|-------------------------------|---------------------|------|
| 1 | | 229-07802 | HAND LIFTER | 押え上げレバー | 1 |
| 2 | | B1521-555-000 | SCREW | 押え上げレバー止めねじ | 1 |
| 3 | | RO-0371801-00 | RUBBER RING | Oリング | 1 |
| 4 | | 229-08552 | HAND LIFTER CAM ASM. | 押え上げカム (組) | 1 |
| 5 | | 400-60989 | PRESSER BAR BUSHING LOWER | 押え棒下メタル | 1 |
| 6 | ☆ | SS-7091110-TP | SCREW 9/64-40 L=10.5 | 丸平ねじ 9/64-40 L=10.5 | 1 |
| 7 | | 229-08701 | LINK SHAFT | 引き上げリンク軸 | 2 |
| 8 | | RE-0500000-K0 | E-RING | E形止め輪 5 | 3 |
| 9 | | B1524-012-0BA | PRESSER FOOT ASM. | 自由押え (針ガード付き) (組) | 1 |
| 10 | | 400-50314 | OUTER HOLDER_BASE | アウター押さえ土台 | 1 |
| 11 | | 229-08909 | HINGE SCREW | 膝上げ横棒段ねじ | 1 |
| 12 | | SD-0720331-SP | HINGE SCREW D=7.24 H=3.3 | 段ねじ D=7.24 H=3.3 | 1 |
| 13 | | 229-09006 | KNEE LIFTER CONNECTING ROD | 膝上げ連結棒 | 1 |
| 14 | | 229-08800 | KNEE LIFTER LINK | 膝上げリンク | 1 |
| 15 | | D3164-555-B00 | OUTER PRESSER PLATE | アウター押さえ | 1 |
| 16 | | SS-4110515-SP | SCREW 11/64-40 L=5 | なべねじ 11/64-40 L=5 | 1 |
| 17 | | SM-4050855-SP | SCREW | なべねじ M5 L=8 | 1 |
| 18 | | 401-86696 | WIRE HOLDER | ワイヤー押さえ | 1 |
| 19 | | SS-4120615-SP | SCREW 3/16-28 L=6 | なべねじ 3/16-28 L=6 | 1 |
| 20 | | 401-87308 | WIRE PRESSER BASE | ワイヤー押え台 | 1 |
| 21 | | NS-6620310-SP | NUT 3/16-32 | 六角ナット 3/16-32 | 2 |
| 22 | | RE-0500000-K0 | E-RING | E形止め輪 5 | 2 |
| 23 | | 229-20201 | RETURN SPRING | 糸緩め板戻しばね | 1 |
| 24 | | 229-20409 | THREAD RELEASE PIN SPRING | 糸緩めピンばね | 1 |
| 25 | | 229-07703 | PRESSER GUIDE BAR | 押え案内棒 | 1 |
| 26 | | 229-20300 | THREAD RELEASE SUPPORTING PIN | 糸緩め補助ピン | 1 |
| 27 | | CQ-2020000-00 | OIL WICK | 油芯 | 0.2 |
| 28 | | 401-84541 | THREAD_RELEASE_WIRE_ASM | 糸緩めワイヤー(組) | 1 |
| 29 | | 229-20102 | TENSION RELEASE SHAFT | 糸緩め板軸 | 1 |
| 30 | | 229-07554 | PRESSER SPRING REGULATOR ASM. | 送り調節ねじナット (組) | 1 |
| 31 | | 229-07604 | PRESSER SPRING REGULATOR NUT | 押え調節ねじナット | (1) |
| 32 | | 229-07505 | PRESSER SPRING REGULATOR | 押え調節ねじ | (1) |
| 33 | | 229-07406 | PRESSER SPRING | 押え調節ばね | 1 |
| 34 | | 400-98388 | PRESSER BAR GUIDE BRACKET | 押え棒抱き | 1 |
| 35 | | 400-17805 | PRESSER BAR | 押え棒 | 1 |
| 36 | | 229-07307 | THREAD GUIDE | 押え棒抱き系案内 | 1 |
| 37 | | SS-8660810-TP | SCREW 1/4-40 L=8 | 止めねじ 1/4-40 L=8 | 1 |
| 38 | | SS-6090910-SP | SCREW 9/64-40 L=9 | 平ねじ 9/64-40 L=9 | 2 |
| 39 | | 229-08354 | KNEE LIFTING CROSS ROD ASM. | 膝上げ横棒 (組) | 1 |
| 40 | | 229-08156 | LIFTING LINK ASM. | 引き上げリンク (組) | (1) |
| 41 | | RE-0500000-K0 | E-RING | E形止め輪 5 | (1) |
| 42 | | 229-08008 | LIFTING PLATE | 引き上げ板 | (1) |
| 43 | | RE-0500000-K0 | E-RING | E形止め輪 5 | (1) |
| 44 | | 229-08305 | KNEE LIFTER SIDE ROD | 膝上げ横棒 | (1) |
| 45 | #01 | 112-43763 | PRESSER LIFTING DEVICE ASM. | 微量押え上げ装置 (組) | 1 |
| 46 | | WP-0482086-SD | WASHER 4.8X11.5X2 | 平座金 4.8X11.5X2 | (1) |
| 47 | | 236-11106 | HAND LIFTER | 押え上げレバー | (1) |
| 48 | | 112-44209 | STOPPER BASE | ストッパー台 | (1) |
| 49 | | 236-10652 | STOPPER SCREW ASM. | ストッパーねじ (組) | (1) |
| 50 | | 112-44019 | STOPPER COLLAR | ストッパーカラー | (1) |
| 51 | | 236-10702 | STOPPER SCREW NUT | ストッパーねじナット | (1) |
| 52 | | 114-33802 | SET SCREW | 止めねじ | (1) |
| 53 | | BT-1000651-EB | POLYURETHANE TUBE | ポリウレタンチューブ | 0.22 |
| 54 | | HX-0006500-0A | CABLE CLIP | 束線バンド | 2 |
| | | NOTE(注記) | #01....OPTIONAL PARTS | オプション部品 | |

6. FEED MECHANISM COMPONENTS

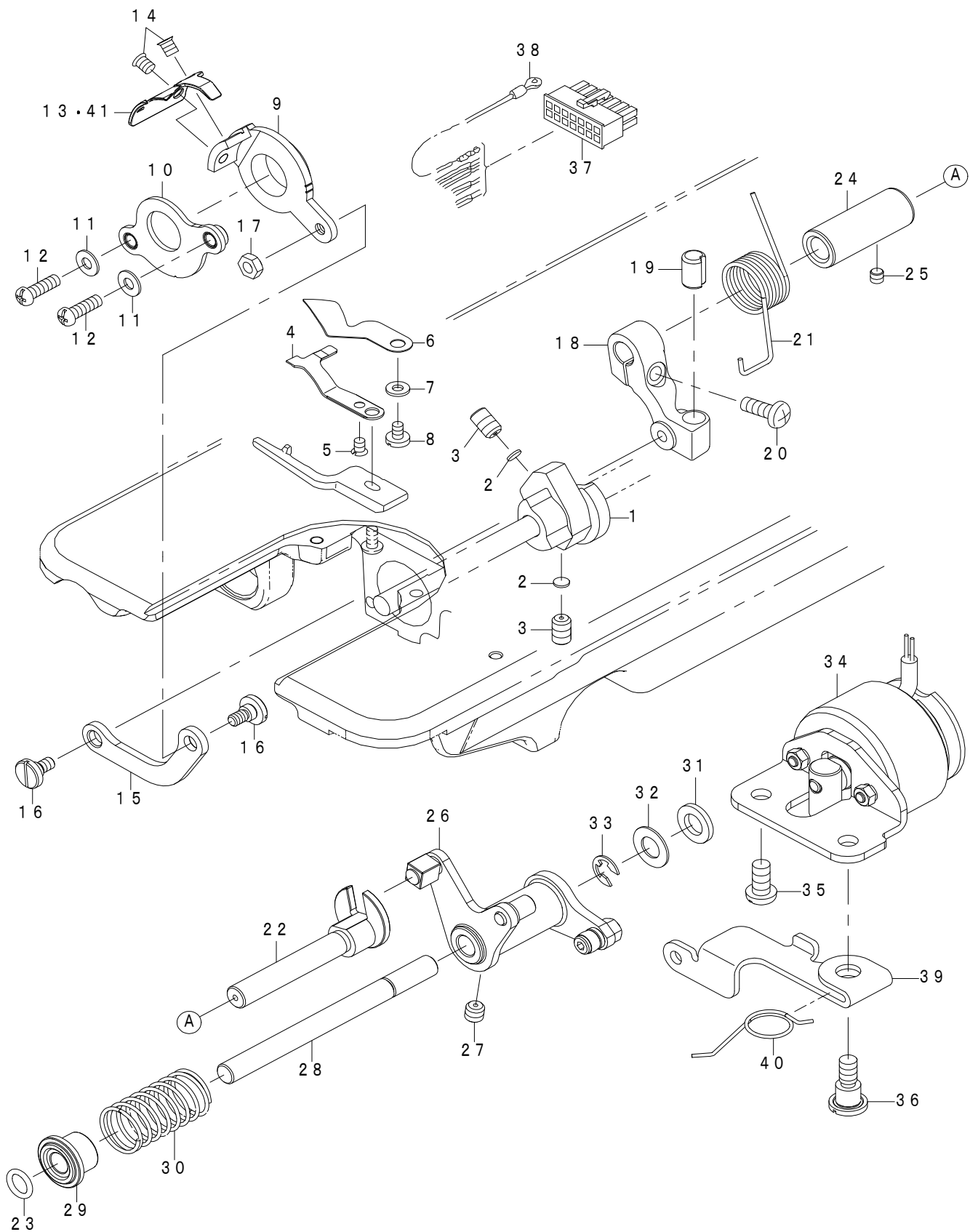
送り関係



| REF.NO | NOTE | PART NO | DESCRIPTION | 品名 | Qty |
|--------|------|---------------|------------------------------------|----------------------|-----|
| 1 | | 229-11408 | FEED REGULATOR CONNECTING ROD | 送り調節ロッド | 1 |
| 2 | | 229-11507 | WALKING FOOT PIN C | 送り調節台ピン | 1 |
| 3 | | SS-6090670-TP | SCREW 9/64-40 L=6 | 平ねじ 9/64-40 L=6 | 2 |
| 4 | | 229-11606 | FEED REGULATOR | 送り調節台 | 1 |
| 5 | | SS-6121860-SP | SCREW 3/16-28 L=18 | 平ねじ 3/16-28 L=18 | 1 |
| 6 | | SS-7120770-SH | SCREW 3/16-28 L=7 | 丸平ねじ 3/16-28 L=7 | 1 |
| 7 | | 229-11804 | FEED REGULATOR SCREW | 送り調節ねじ | 1 |
| 8 | | 229-12109 | FEED REGULATOR PIN SPRING | 送り調節ピンばね | 1 |
| 9 | | 229-12000 | FEED REGULATOR PIN | 送り調節ピン | 1 |
| 10 | | 229-40506 | FEED DIAL | 送りダイヤル | 1 |
| 11 | | 229-10251 | CONNECTING ROD ASM. | 水平送りロッド(組) | 1 |
| 12 | #01 | 229-13859 | ROCKER SHAFT CONNECTING ROD B ASM. | 水平送りロッドB(組) | 1 |
| 13 | | 229-11101 | WALKING FOOT PIN C | 水平送りピンC | (1) |
| 14 | | SS-6090620-TP | SCREW | 平ねじ | (1) |
| 15 | | 229-10202 | ROCKER SHAFT CONNECTING ROD | 水平送りロッド | (1) |
| 16 | #01 | 229-13800 | ROCKER SHAFT CONNECTING ROD B | 水平送りロッドB | (1) |
| 17 | | 138-87005 | THRUST WASHER | スラストワッシャ | 1 |
| 18 | | RE-0500000-K0 | E-RING | E形止め輪 5 | 1 |
| 19 | | 229-12257 | FEED REVERSE ARM ASM. | 送りレバー腕(組) | 1 |
| 20 | | 229-12505 | FEED REVERSE ARM SCREW | 送りレバー腕止めねじ | 1 |
| 21 | | RE-0500000-K0 | E-RING | E形止め輪 5 | 1 |
| 22 | | 110-37405 | SPRING | 調節リンクばね B | 1 |
| 23 | | 110-09800 | FEED REGULATOR BUSHING | 送り調節台メタル | 1 |
| 24 | | 229-10905 | WALKING FOOT PIN A | 水平送りピンA | 2 |
| 25 | | 400-89548 | CONNECTING LINK B | 連結リンクB | 2 |
| 26 | | 400-93417 | CONNECTING LINK A | 連結リンクA | 2 |
| 27 | | 229-10459 | FEED ADJUSTING LINK ASM. | 送り調節リンク(組) | 1 |
| 28 | | 229-10806 | ADJUST LINK FULCRUM SHAFT A | 調節リンク支点軸A | 2 |
| 29 | | SS-6151220-SP | SCREW 15/64-28 L=11.5 | 平ねじ 15/64-28 L=11.5 | 2 |
| 30 | | SS-6090620-TP | SCREW | 平ねじ | 2 |
| 31 | | 401-25485 | FEED_BASE_SHAFT | 送り台軸 | 1 |
| 32 | | RC-0150001-KP | RETAINING RING 13.8 | C形止め輪 13.8 | 1 |
| 33 | | B1613-012-I00 | FEED DOG 1 | 送り歯 1 | 1 |
| 34 | | SS-4080620-TP | SCREW 1/8-44 L=6 | なべねじ 1/8-44 L=6 | 2 |
| 35 | | 229-40753 | FEED BAR ASM. | 送り台(組) | 1 |
| 36 | | 229-41306 | REGULATOR LINK SPRING HOOK | 調節リンクばね掛け | 1 |
| 37 | | SS-4110515-SP | SCREW 11/64-40 L=5 | なべねじ 11/64-40 L=5 | 2 |
| 38 | | 229-13701 | FEED SPRING HOOK | 送りばね掛け | 1 |
| 39 | | 401-56684 | FEED ROCKER SHAFT | 水平送り軸 | 1 |
| 40 | | 229-11002 | WALKING FOOT PIN B | 水平送りピンB | 1 |
| 41 | | SS-6090620-TP | SCREW | 平ねじ | 1 |
| 42 | | NS-6680410-SP | NUT 9/32-28 | 六角ナット 9/32-28 | 1 |
| 43 | | 401-10379 | ASSY_FEED_ROCKER_ARM | 水平送り腕(組) | 1 |
| 44 | | SS-6121610-SP | SCREW 3/16-28 L=15.5 | 平ねじ 3/16-28 L=15.5 | (1) |
| 45 | | 401-09422 | FEED_ARM_ASM | 上下送り腕(組) | 1 |
| 46 | | SS-7121610-SP | SCREW 3/16-28 L=15.5 | 丸平ねじ 3/16-28 L=15.5 | (1) |
| 47 | | SD-1000801-SH | HINGE SCREW D=10 H=8 | 段ねじ D=10 H=8 | 1 |
| 48 | | 401-86644 | FEED_DRIVING_SHAFT | 上下送り軸 | 1 |
| 49 | | 401-37504 | THRUST_COLLAR_ASM | 送り軸スラストカラー(組) | 1 |
| 50 | | SS-8660610-TP | SCREW 1/4-40 L=6 | 止めねじ 1/4-40 L=6 | (2) |
| 51 | #01 | 401-62859 | FEED_ROCKER_SHAFT_BUSHING | 水平送り軸前メタル | 1 |
| 52 | | 401-11897 | BEARING | 水平送りロッドベアリング | 1 |
| 53 | | SS-7110740-TP | SCREW 11/64-40 L=7 | 丸平ねじ 11/64-40 L=7 | 1 |
| 54 | | RC-0150001-KP | RETAINING RING 13.8 | C形止め輪 13.8 | 1 |
| 55 | | 229-40654 | FEED ROCKER ASM. | 送り台腕(組) | 1 |
| 56 | | SS-7121410-TP | SCREW 3/16-28 L=14 | 丸平ねじ 3/16-28 L=14 | (1) |
| 57 | | WP-0480856-SP | WASHER 4.8X8.4X0.8 | 平座金 4.8X8.4X0.8 | (1) |
| 58 | | 229-15359 | DRIVING SHAFT CRANK ASM. | 上下送り二又(組) | 1 |
| 59 | | SS-7111120-SP | SCREW 11/64-40 L=10.5 | 丸平ねじ 11/64-40 L=10.5 | (1) |
| 60 | | 401-84533 | FEED LEVER | 送りレバー | 1 |
| 61 | | 228-88507 | OIL SEAL | 送りレバー軸オイルシール | 1 |
| 62 | | 229-04155 | MAIN SHAFT THRUST COLLAR ASM. | 上軸スラスト受(組) | 1 |
| 63 | | SS-8660610-TP | SCREW 1/4-40 L=6 | 止めねじ 1/4-40 L=6 | (2) |
| 64 | | 401-56758 | FEED SHAFT RUBBER | 送り軸止め栓 | 2 |
| 65 | | TA-0950806-R0 | RUBBER PLUG | 止め栓 | 1 |
| 66 | | 400-29963 | OIL SEAL | 水平送り軸オイルシール | 1 |
| 67 | | 401-86209 | THRUST_WASHER_B | スラストワッシャB | 1 |
| 68 | | 401-84531 | REVERSE_FEED_LEVER_SHAFT | 送りレバー軸 | 1 |
| 69 | | 401-84535 | REVERSE_FEED_LEVER_SHAFT_METAL | 送りレバー軸メタル | 1 |
| 70 | | WP-0611626-SP | WASHER 15X6X1.6 | 平座金 | 1 |
| 71 | | 401-58189 | BUSHING | メタル | 1 |
| 72 | | 401-84532 | REVERSE_FEED_LEVER_SHAFT_PLATE | 送りレバー軸板 | 1 |
| 73 | | 229-15003 | CONNECTING ROD | 上下送りロッド | 1 |
| 74 | | RO-0922702-00 | RUBBER RING | Oリング | 1 |
| 75 | | 229-13008 | FEED ROCKER SHAFT BUSHING | 上下送り軸前メタル | 1 |
| 76 | | 401-84537 | REVERSE_FEED_LEVER_SPRING | 送りレバーばね | 1 |
| 77 | | SS-7620750-SP | SCREW 3/16-32 L=6.5 | 丸平ねじ 3/16-32 L=6.5 | 1 |
| 78 | | TA-2351004-R0 | RUBBER PLUG | 止め栓 | 1 |
| 79 | | 400-29963 | OIL SEAL | 水平送り軸オイルシール | 1 |
| 80 | #01 | 401-33950 | FEED_DOG_M | 送り歯 | 1 |
| 81 | | RO-1331701-00 | RUBBER RING | Oリング | 2 |
| 82 | | 229-53400 | RUBBER PLUNGER | プランジャーゴム | 2 |
| | | NOTE(注記) | #01....ACCORDING TO DESTINATIONS | 仕向地による | |

7. THREAD TRIMMER COMPONENTS

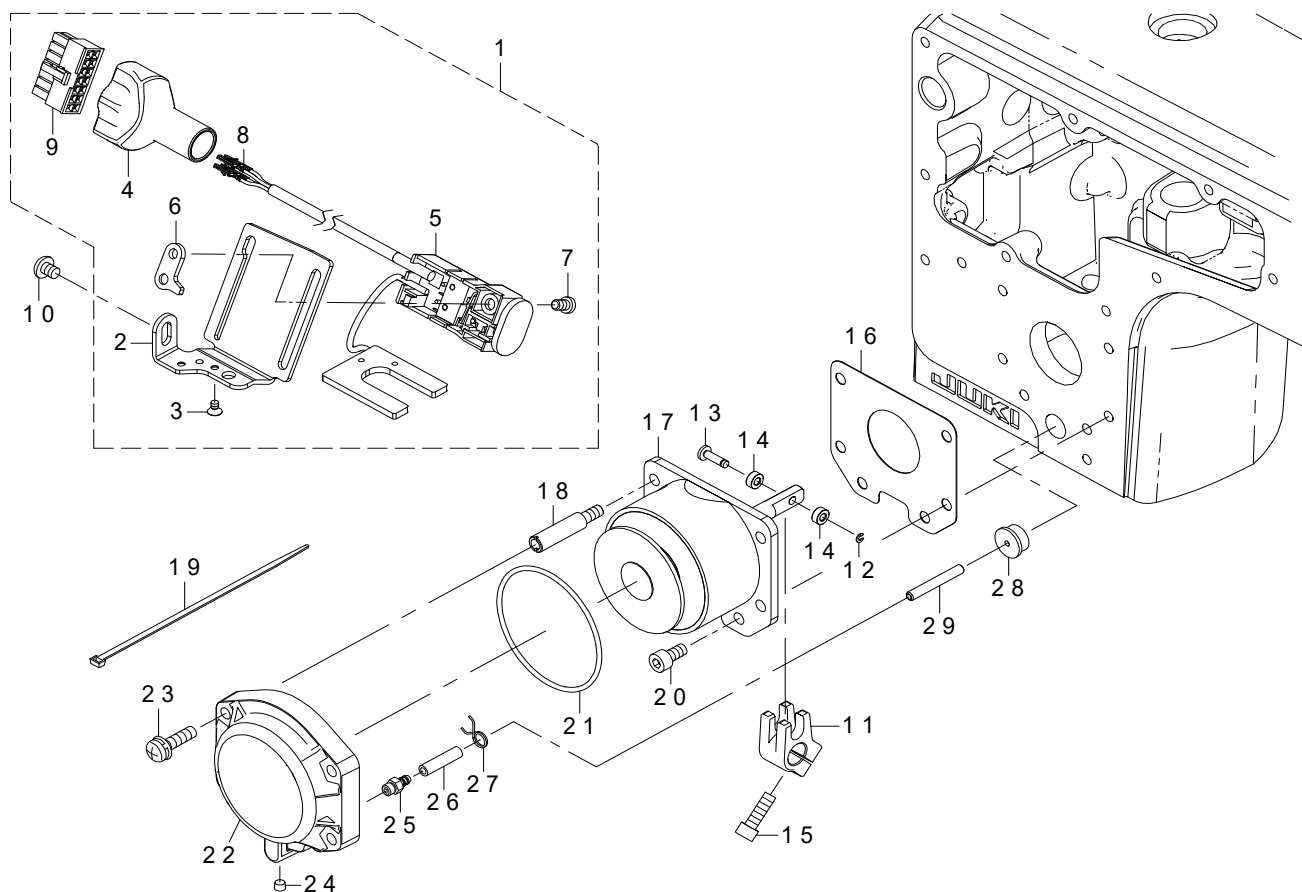
糸切り装置関係



| REF.NO | NOTE | PART NO | DESCRIPTION | 品名 | Qty |
|--------|-------|---------------|-------------------------------|--------------------|-----|
| 1 | | 401-27152 | THREAD_TRIMMER_CAM | 糸切りカム | 1 |
| 2 | | 401-27153 | SPACER | スペーサ | 2 |
| 3 | | SS-8661012-TP | SCREW | 止めねじ | 2 |
| 4 | ☆ | 401-27154 | COUNTER_KNIFE | 固定メス | 1 |
| 5 | | SS-1090520-TP | SCREW 9/64-40 L=5 | 皿小ねじ 9/64-40 L=5 | 1 |
| 6 | ☆ | 401-27155 | LOWER_THREAD_FINGER | 糸さばき板 | 1 |
| 7 | | WP-0371016-SD | WASHER 3.7X8X1 | 平座金 3.7X8X1 | 1 |
| 8 | | SS-7090610-SP | SCREW 9/64-40 L=6 | 丸平ねじ 9/64-40 L=6 | 1 |
| 9 | | 401-84554 | MOVING_KNIFE_BASE | 動メス土台 | 1 |
| 10 | | 401-27157 | KNIFE HOLDER_PRESSER_ASSY | 動メス土台押え | 1 |
| 11 | | WP-0450826-SC | WASHER 4.5X10X0.8 | 平座金 4.5X10X0.8 | 2 |
| 12 | | SS-4111415-SP | SCREW 11/64-40 L=14 | なべねじ 11/64-40 L=14 | 2 |
| 13 | ☆ | 401-27160 | MOVING_KNIFE | 動メス | 1 |
| 14 | | 113-51806 | SCREW | 動メス止めねじ | 2 |
| 15 | | 401-84555 | THREAD_TRIMMER_ROD | 糸切り連結ロッド | 1 |
| 16 | | SD-0600291-TP | HINGE SCREW D=6 H=2.9 | 段ねじ D=6 H=2.9 | 2 |
| 17 | | NS-6110350-SP | NUT 11/64-40 | 六角ナット 11/64-40 | 1 |
| 18 | | 401-84556 | THREAD_TRIMMER_ARM | 糸切り腕 | 1 |
| 19 | ☆ | 401-27163 | LEVER_STOPPER | 糸切り腕ストッパー | 1 |
| 20 | | SS-4121415-SP | SCREW 3/16-28 L=14 | なべねじ 3/16-28 L=14 | 1 |
| 21 | | 401-27164 | SPRING | ばね | 1 |
| 22 | | 401-87734 | FORKED_SHAFT | 糸切り二又軸 | 1 |
| 23 | | RO-0781901-00 | RUBBER_RING | Oリング | 1 |
| 24 | | 401-27167 | FORKED_SHAFT_BUSH | 糸切り二又軸メタル | 1 |
| 25 | | SS-8110422-TP | SCREW 11/64-40 L=4 | 止めねじ 11/64-40 L=4 | 1 |
| 26 | | 401-27168 | THREAD_TRIMMER_CAM_LEVER_ASSY | 糸切りカム腕(組) | 1 |
| 27 | | SS-8660612-TP | SCREW 1/4-40 L=6 | 止めねじ 1/4-40 L=6 | 1 |
| 28 | | 401-27180 | THREAD_TRIMMER_CAMLEVER_SHAFT | 糸切りカム腕軸 | 1 |
| 29 | | 401-87306 | THREAD_TRIMMER_SPRING_COLLAR | 糸切りばねカラー | 1 |
| 30 | | 401-27182 | SPRING | 糸切りカム腕ばね | 1 |
| 31 | | 401-27183 | CUSHION | 糸切りカム腕ゴム | 1 |
| 32 | | WP-0820816-SD | WASHER 8.2X16X0.8 | 平座金 8.2X16X0.8 | 1 |
| 33 | | RE-0600000-K0 | E-RING 6 | E形止め輪 6 | 1 |
| 34 | | 401-86203 | THREAD_TRIMMER_SOLENOID_ASM | 糸切りソレノイド(組) | 1 |
| 35 | | SS-4151215-SP | SCREW 15/64-28 L=12 | なべねじ 15/64-28 L=12 | 1 |
| 36 | | SD-0850751-SP | HINGE SCREW D=8.5 H=7.5 | 段ねじ D=8.5 H=7.5 | 1 |
| 37 | | HK-0346101-40 | HOUSING 14P | ハウジング 14P | 1 |
| 38 | | 401-12907 | GROUND WIRE ASM | アースコード(組) | 1 |
| 39 | | 401-84558 | THREAD_RELEASE_LEVER | 糸緩め腕 | 1 |
| 40 | | 401-27190 | RETURN_SPRING | 糸緩め戻しばね | 1 |
| 41 | * #01 | 401-87740 | MOVING_KNIFE | さばきメス | 1 |
| | | NOTE(注記) | #01....TYPE H | H仕様 | |

8. AUTOMATIC REVERSE FEED COMPONENTS

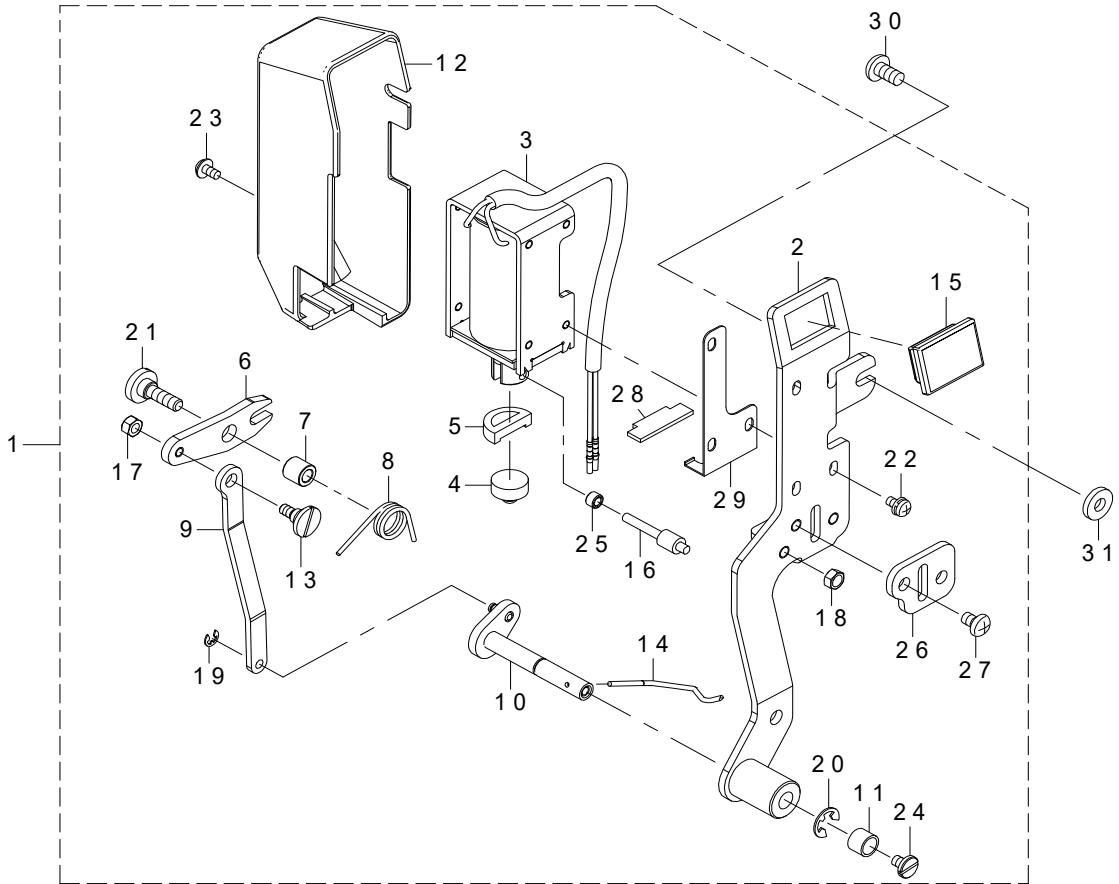
自動逆送り関係



| REF.NO | NOTE | PART NO | DESCRIPTION | 品名 | Qty |
|--------|------|---------------|--------------------------------|----------------------|------|
| 1 | ★ | 401-48382 | LED_BT_SWITCH_ASSY | LED逆送りスイッチ組 | 1 |
| 2 | | 401-39771 | LED_BASE | LED板金 | (1) |
| 3 | | 401-40191 | LED_SCREW | LED固定ねじ | (2) |
| 4 | | 401-40306 | CONNECTOR_COVER | コネクタカバー | (1) |
| 5 | | 401-49069 | LED_BT_SWITCH | LED逆送りスイッチ | (1) |
| 6 | | 236-32102 | REVERSE_FEED_SWITCH_BASE_GUIDE | 逆送りスイッチ台ガイド | (1) |
| 7 | | SS-7110740-TP | SCREW 11/64-40 L=7 | 丸平ねじ 11/64-40 L=7 | (1) |
| 8 | | HK-0346400-0B | PIN CONTACT | ピンコンタクト | (4) |
| 9 | | HK-0346101-40 | HOUSING 14P | ハウジング 14P | (1) |
| 10 | | SS-4120615-SP | SCREW 3/16-28 L=6 | なべねじ 3/16-28 L=6 | 1 |
| 11 | | 401-84562 | REVERSE_FEED_ARM | 自動バック駆動腕 | 1 |
| 12 | | RC-0260415-K0 | C-RING | C形止め輪 | 1 |
| 13 | | 112-17114 | ROLLER SHAFT | 上下棒コロ軸 | 1 |
| 14 | | 112-17213 | ROLLER | 上下棒コロ | 2 |
| 15 | | SM-6051602-TP | SCREW M5X0.8 L=16 | 六角穴ボルト M5X0.8 L=16 | 1 |
| 16 | | 401-84560 | REVERSE_FEED_SOLENOID_PACKING | 逆送りソレノイドパッキン | 1 |
| 17 | * | 401-98464 | REVERSE_FEED_SOLENOID | 逆送りソレノイド | 1 |
| 18 | | 401-87304 | STUD | スタッド | 4 |
| 19 | | HX-0006500-0A | CABLE CLIP | 束線バンド | 1 |
| 20 | | SM-6051002-TP | SCREW M5X0.8 L=10 | 六角穴ボルト M5X0.8 L=10 | 2 |
| 21 | | RO-5552002-00 | O-RING | Oリング | 1 |
| 22 | | 401-87307 | SOLENOID CAP | ソレノイドキャップ | 1 |
| 23 | | SL-4052091-SC | SCREW M5X0.8 L=20 | なべ小ねじセムス M5X0.8 L=20 | 4 |
| 24 | | TA-0400301-M0 | PLUG D=4X4.5 L=3 | 止め栓 D=4X4.5 L=3 | 1 |
| 25 | | SQ-2050453-MZ | CONNECTING SCREW | パイプ連結ねじ | 1 |
| 26 | | 236-30007 | TUBE | チューブ | 0.02 |
| 27 | | 236-29306 | PIPE STOPPER A | パイプ止めA | 1 |
| 28 | | B3510-205-000 | RUBBER PLUG | 針棒止め栓 | 1 |
| 29 | | 401-86847 | REVERSE_FEED_SOLENOID_PIPE | 逆送りソレノイドパイプ | 1 |

9. WIPER COMPONENTS (WB)

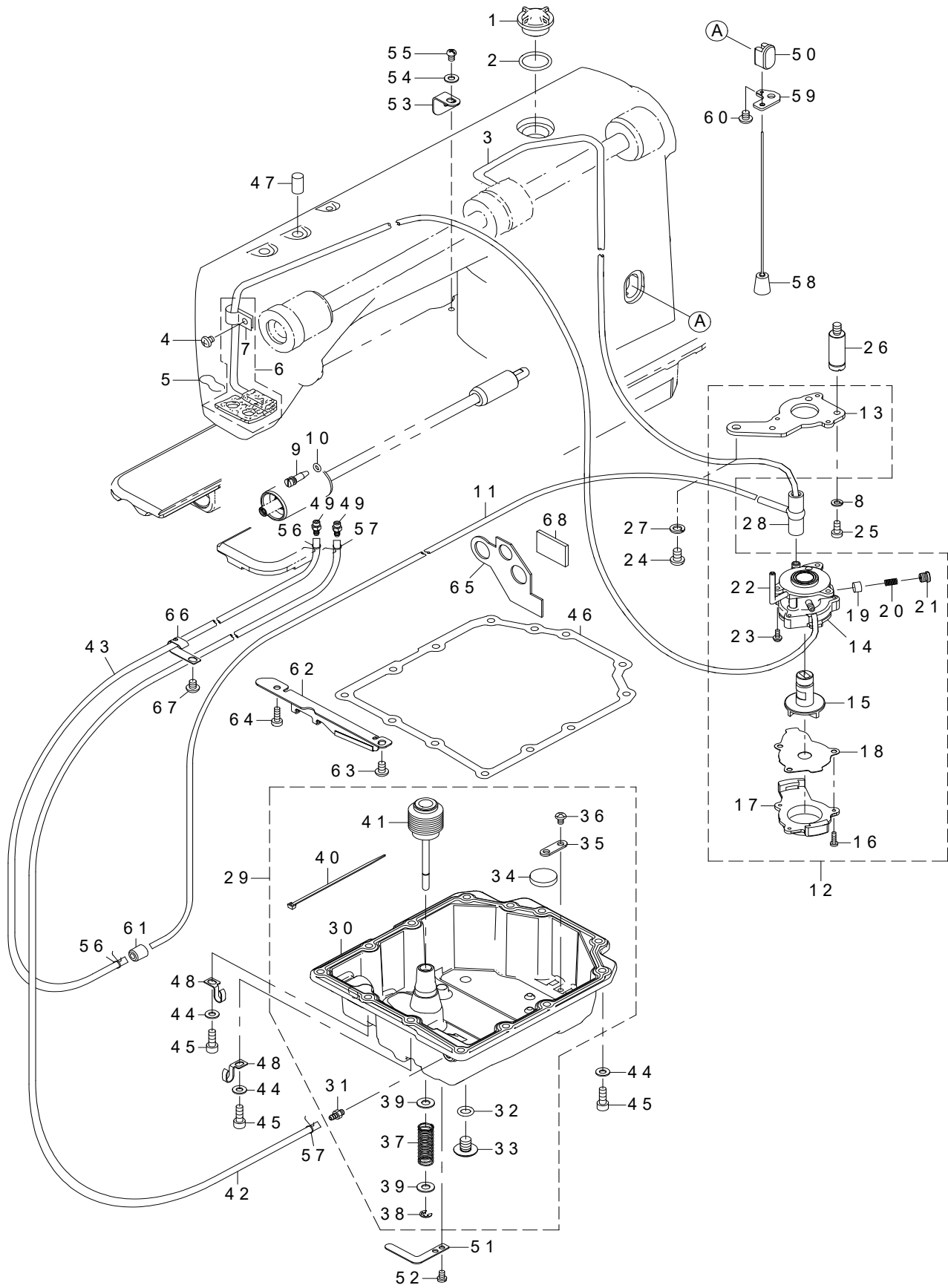
ワイパー関係 (WB)



| REF.NO | NOTE | PART NO | DESCRIPTION | 品名 | Qty |
|--------|------|---------------|----------------------------|--------------------|-----|
| 1 | | 401-40992 | WIPER_ASSY | ワイパー (組) | 1 |
| 2 | | 401-40994 | WIPER_BASE_ASSY | ワイパー台 (組) | (1) |
| 3 | | 401-10999 | WIPER SOLENOID | ワイパーソレノイド | (1) |
| 4 | | 229-55900 | WIPER RUBBER A | ワイパーゴムA | (1) |
| 5 | | 229-56007 | WIPER RUBBER B | ワイパーゴムB | (1) |
| 6 | | 229-56106 | WIPER LINK A | ワイパーリンクA | (1) |
| 7 | | 229-56205 | WIPER HINGE SCREW COLLAR | ワイパー段ねじカラー | (1) |
| 8 | | 229-56304 | WIPER SPRING | ワイパーばね | (1) |
| 9 | | 229-56403 | WIPER LINK B | ワイパーリンクB | (1) |
| 10 | | 400-41419 | WIPER LINK C ASM. | ワイパーリンクC (組) | (1) |
| 11 | | 229-56809 | WIPER COLLAR | ワイパーカラー | (1) |
| 12 | | 229-55504 | WIPER COVER | ワイパーカバー | (1) |
| 13 | | 229-56908 | WIPER LINK B HINGE SCREW | ワイパーリンクB段ねじ | (1) |
| 14 | | 401-40991 | WIPER | ワイパー | (1) |
| 15 | | 400-86678 | WIPER_SW_RUBBER | ワイパーSWキャップ | (1) |
| 16 | | 400-77852 | WIPER SOLENOID SHAFT | ワイパーソレノイド軸 | (1) |
| 17 | | NS-6090310-SP | NUT 9/64-40 | 六角ナット 9/64-40 | (1) |
| 18 | | NS-6110310-SP | NUT 11/64-40 | 六角ナット 11/64-40 | (1) |
| 19 | | RE-0250000-K0 | E-RING 2.5 | E形止め輪 2.5 | (1) |
| 20 | | RE-0500000-K0 | E-RING | E形止め輪 5 | (1) |
| 21 | | SD-0650321-TP | HINGE SCREW D=6.5 H=3.2 | 段ねじ D=6.5 H=3.2 | (1) |
| 22 | | SL-4030641-SE | SCREW | 座金付きねじ | (3) |
| 23 | | SL-4030691-SC | SCREW M3 L=6 | 座金付きなべ小ねじ M3 L=6 | (1) |
| 24 | | SS-6090540-SP | SCREW 9/64-40 L=5.0 | 平ねじ 9/64-40 L=5 | (1) |
| 25 | | 229-57203 | WIPER LINK COLLAR | ワイパーリンクカラー | (1) |
| 26 | | 400-77851 | WIPER SOLENOID SHAFT GUIDE | ワイパーソレノイド軸ガイド | (1) |
| 27 | | SS-4110615-SP | SCREW 11/64-40 L=6 | なべ小ねじ 11/64-40 L=6 | (2) |
| 28 | | 400-86679 | WIPER_STOPPER_RUBBER | ワイパーSTOPPERゴム | (1) |
| 29 | | 400-37500 | RUBBER HOLDER | ゴム支え板 | (1) |
| 30 | | SS-4120925-SP | SCREW 3/16-28 L=9 | なべ小ねじ 3/16-28 L=9 | 1 |
| 31 | | WP-0482086-SD | WASHER 4.8X11.5X2 | 平座金 4.8X11.5X2 | 1 |

10. OIL LUBRICATION COMPONENTS

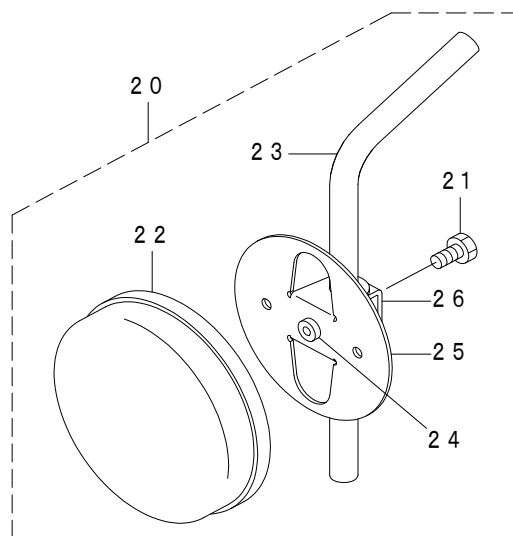
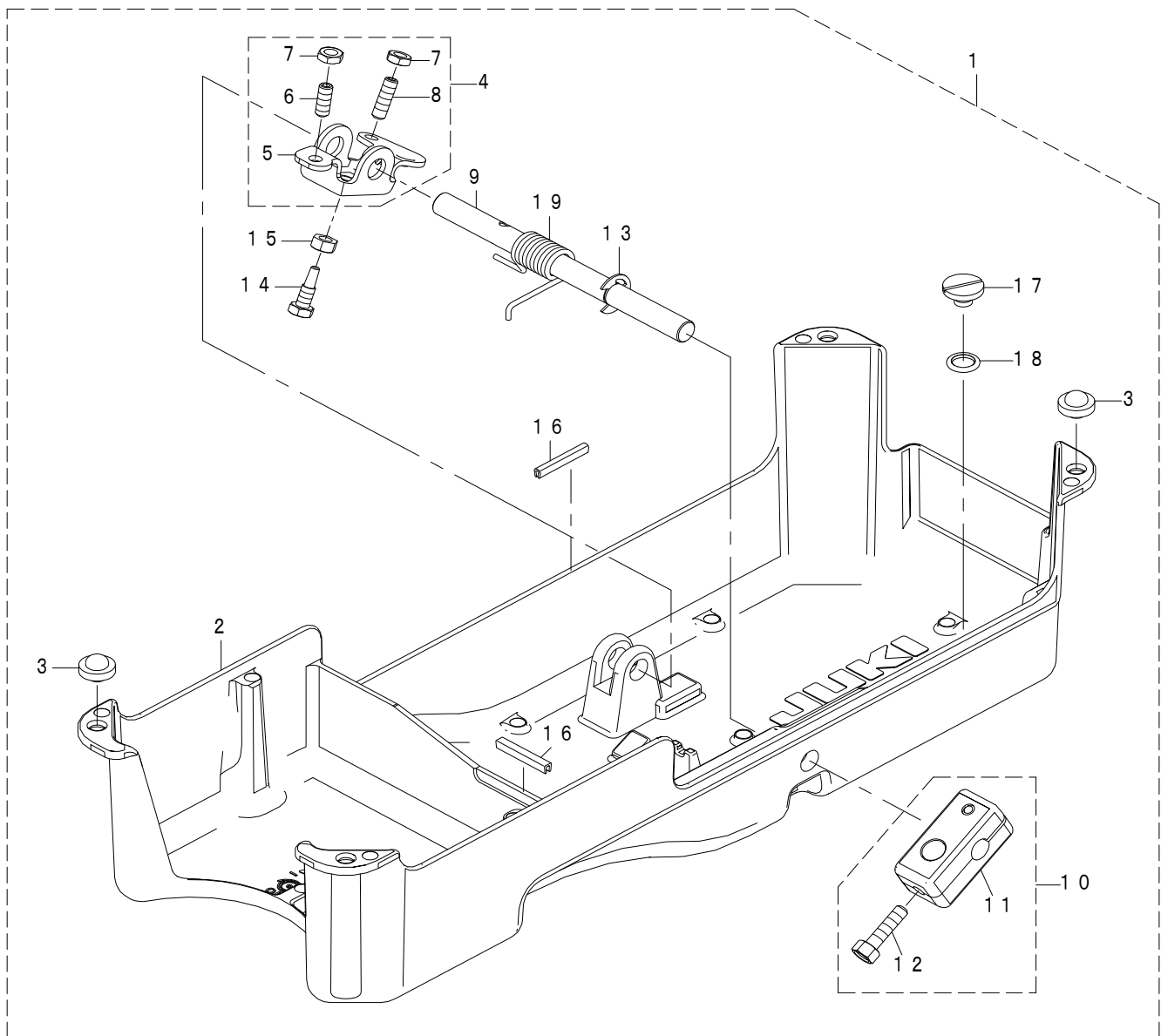
給油関係



| REF.NO | NOTE | PART NO | DESCRIPTION | 品名 | Qty |
|--------|------|---------------|-----------------------------|---------------------|-----|
| 1 | | 229-24708 | OIL SIGHT WINDOW | 油窓 | 1 |
| 2 | | RO-1952401-00 | RUBBER RING | Oリング | 1 |
| 3 | | 401-84543 | MAIN_SHAFT_OIL_TUBE | 上軸給油パイプ | 1 |
| 4 | | SS-4120615-SP | SCREW 3/16-28 L=6 | なべねじ 3/16-28 L=6 | 1 |
| 5 | | 229-25101 | OIL FELT PRESSER | 還流フェルト押え | 1 |
| 6 | | 229-24153 | OIL RETURN TUBE ASM. | 還流パイプ(組) | 1 |
| 7 | | 229-24302 | HOLDER | 還流パイプ押え | (1) |
| 8 | | WS-0451040-KP | SPRING WASHER 4.5X8.5X1 | ばね座金 4.5X8.5X1 | 0.3 |
| 9 | | 400-37502 | OIL ADJUSTING SCREW | 油量調節ねじ | 1 |
| 10 | | RO-0371801-00 | RUBBER RING | Oリング | 1 |
| 11 | | 401-84575 | HOOK_OIL_PIPE | 釜給油パイプ | 1 |
| 12 | | 229-23056 | LUBRICATING OIL PUMP ASM. | 給油ポンプ体(組) | 1 |
| 13 | | 229-23312 | OIL PUMP INSTALLING BASE | ポンプ体取付板 | (1) |
| 14 | | 229-23015 | OIL PUMP | ポンプ体 | (1) |
| 15 | | 229-23700 | OIL PUMP IMPELLER | インペラー | (1) |
| 16 | | SE-4301041-SR | SCREW D=3 L=10 | タップタイトねじ D=3 L=10 | (1) |
| 17 | | 229-23205 | LUBRICATING OIL PUMP COVER | ポンプ体蓋 | (1) |
| 18 | | 229-23809 | OIL PUMP IMPELLER COVER | ポンプ体受板 | (1) |
| 19 | | 229-23403 | PLUNGER | プランジャー | (1) |
| 20 | | 229-23601 | PLUNGER SPRING | プランジャーばね | (1) |
| 21 | | 229-23502 | PLUNGER SCREW | プランジャーねじ | (1) |
| 22 | | 229-23908 | HOOK DRIVING SHAFT OIL TUBE | 下軸給油パイプ | (1) |
| 23 | | SL-4030851-SF | SCREW M3 L=8 | 座金付きなべねじ M3 L=8 | (3) |
| 24 | | SS-4150915-SP | SCREW 15/64-28 L=9 | なべねじ 15/64-28 L=9 | 1 |
| 25 | | SS-6111010-TP | SCREW 11/64-40 L=9.5 | 平ねじ 11/64-40 L=9.5 | 1 |
| 26 | | 229-47105 | OIL PUMP SUPPORT | ポンプ体支柱 | 1 |
| 27 | | WS-0651310-KP | SPRING WASHER 6.5X11X1.3 | ばね座金 6.5X11X1.3 | 1 |
| 28 | | 229-24609 | RUBBER JOINT | 給油パイプ継ぎ手 | 1 |
| 29 | | 401-84544 | OIL_SHIELD_ASSY | オイルシールド(組) | 1 |
| 30 | | 401-84545 | OIL_SHIELD | オイルシールド | (1) |
| 31 | | SQ-2050453-MZ | CONNECTING SCREW | パイプ連結ねじ | (1) |
| 32 | | 131-70105 | RUBBER RING | Oリング | (1) |
| 33 | | 131-71004 | DRAIN SCREW | 廃油ねじ | (1) |
| 34 | | B8228-125-000 | OIL RESERVOIR MAGNET | 磁石 | (1) |
| 35 | | 400-24644 | MAGNET WASHER | マグネット押え座金 | (1) |
| 36 | | SM-4040655-SP | SCREW M4 L=6 | なべ小ねじ M4 L=6 | (1) |
| 37 | | GAK-30005000 | SPRING | 膝上げ押し棒ばね | (1) |
| 38 | | RE-0400000-K0 | E-RING 4 | E形止め輪 4 | (1) |
| 39 | | WP-0621016-SD | WASHER 6.2X13X1 | 平座金 6.2X13X1 | (2) |
| 40 | | EA-9500B01-00 | CABLE BAND | 束線バンド | (1) |
| 41 | | 401-84547 | KNEE_LIFTER_PUSH_COMP | ゴム付膝上げ押し棒(組) | (1) |
| 42 | #01 | 236-30007 | TUBE | チューブ | 0.1 |
| 43 | #01 | 236-30007 | TUBE | チューブ | 0.1 |
| 44 | | WP-0501016-SD | WASHER 5X10.5X1 | 平座金 5X10.5X1 | 13 |
| 45 | | SM-6051402-TP | SCREW M5X0.8 L=14 | 六角穴ボルト | 13 |
| 46 | ☆ | 401-84546 | OIL_SHIELD_PACKING | オイルシールドパッキン | 1 |
| 47 | | 110-39203 | FELT | 天秤支え軸給油穴フェルト | 1 |
| 48 | | 262-31902 | OIL WICK PIPE STOPPER | 油芯パイプ止め | 2 |
| 49 | | SQ-2050453-MZ | CONNECTING SCREW | パイプ連結ねじ | 2 |
| 50 | | 400-17215 | OIL_SIGHT_WINDOW | 油量指示窓 | 1 |
| 51 | | 131-01407 | LOOPER COVER PRESSER PLATE | ルーバーカバー支え板 | 1 |
| 52 | | SM-4040655-SP | SCREW M4 L=6 | なべ小ねじ M4 L=6 | 1 |
| 53 | | 400-28281 | FEED_ADJUSTING_STOPPER | 送り調節体受板 | 1 |
| 54 | | WP-0501016-SD | WASHER 5X10.5X1 | 平座金 5X10.5X1 | 1 |
| 55 | | SS-4110615-SP | SCREW 11/64-40 L=6 | なべ小ねじ 11/64-40 L=6 | 1 |
| 56 | | 236-29306 | PIPE STOPPER A | パイプ止めA | 2 |
| 57 | | 401-62044 | PIPE STOPPER | パイプ止め輪 | 2 |
| 58 | | 401-84550 | FLOATER_ASM | 浮き子(組) | 1 |
| 59 | | 401-84552 | FLOATER_GUIDE | 浮き子ガイド | 1 |
| 60 | | SS-4120615-SP | SCREW 3/16-28 L=6 | なべねじ 3/16-28 L=6 | 1 |
| 61 | | TA-0971101-R0 | PLUG | 止め栓 D=9.7X10.5 L=11 | 1 |
| 62 | | 401-87485 | OIL BRACKET ASM | 油防板(組) | 1 |
| 63 | | SM-4050855-SP | SCREW | なべねじ M5 L=8 | 1 |
| 64 | | SS-6111210-SP | SCREW 11/64-40 L=12 | 平ねじ 11/64-40 L=12 | 1 |
| 65 | | 401-87736 | FELT | フェルト | 1 |
| 66 | | 401-36258 | CORD HOLDER | コード押え | 1 |
| 67 | | SM-4050655-SP | SCREW M5 L=6 | なべ小ねじ M5 L=6 | 1 |
| 68 | | 213-45905 | FACE ONCE THROUGH FELT | 面部還流フェルト | 1 |
| | | NOTE(注記) | #01SELECTIVE PARTS | 選択部品 | |

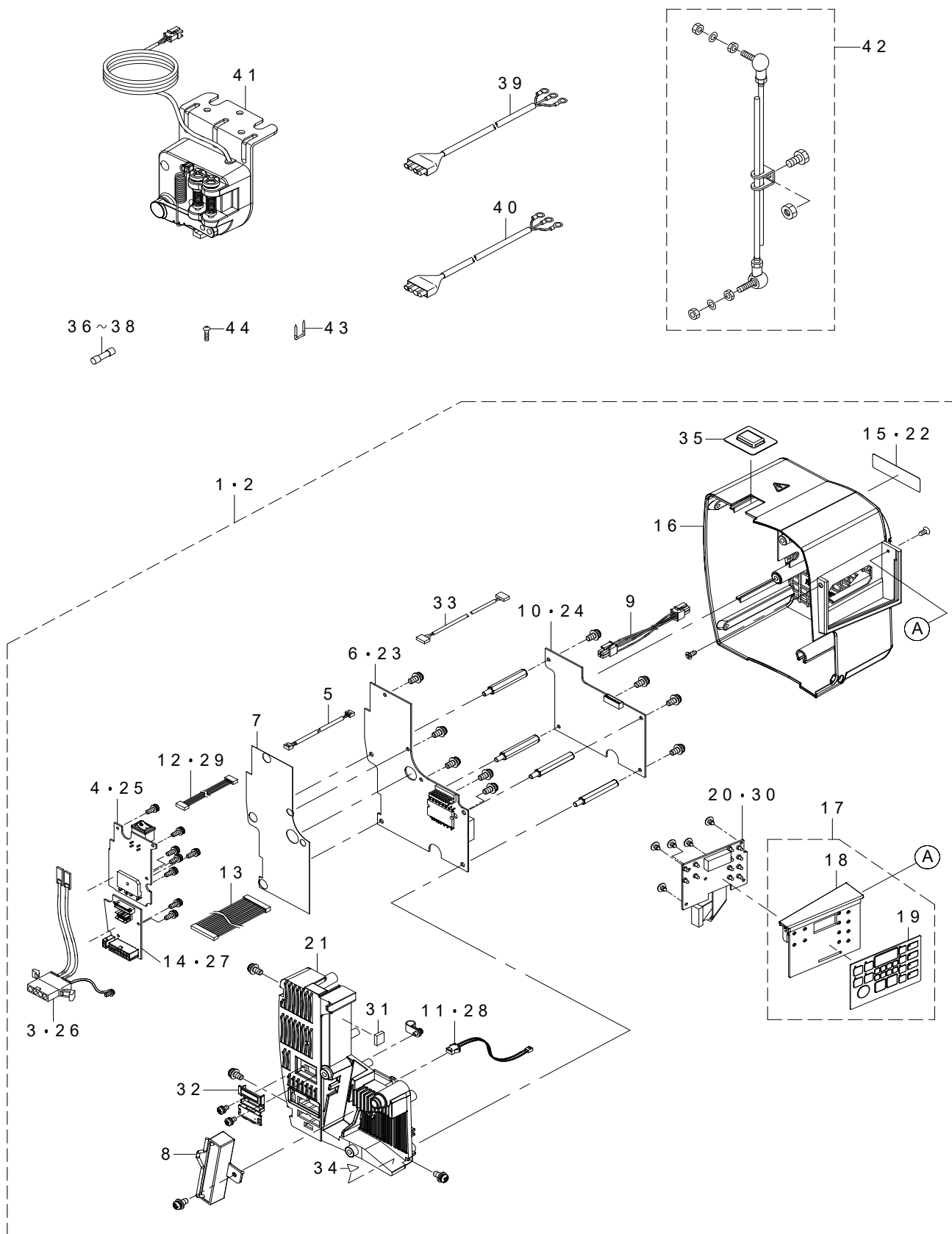
11. UNDER COVER COMPONENTS

アンダーカバー関係



| REF.NO | NOTE | PART NO | DESCRIPTION | 品名 | Qty |
|--------|------|---------------|------------------------------|-----------------|-----|
| 1 | | 401-84563 | UNDER_COVER_ASSY | アンダーカバー(組) | 1 |
| 2 | | 401-84564 | UNDER_COVER | アンダーカバー | (1) |
| 3 | | B1116-210-D00 | FRAME SUPPORT RUBBER | 頭部支えゴム | (4) |
| 4 | * | 401-87310 | KNEE_LIFTER_ROTATION_ARM_ASM | 膝上げ回転腕(組) | (1) |
| 5 | | 229-32107 | KNEE LIFTER ROTATING ARM | 膝上げ回転腕 | (1) |
| 6 | | SM-8061612-TP | SCREW M6X16 | 止めねじ M6 L=16 | (1) |
| 7 | | NM-6060003-SC | NUT M6 | 六角ナット M6 | (2) |
| 8 | * | SM-8062012-TP | SCREW M6 L=20 | 止めねじ M6 L=20 | (1) |
| 9 | | 401-01541 | KNEE_PRESS_CROSS_SHAFT | 膝当て横軸 | (1) |
| 10 | | 229-32453 | BRACKET ASM. | 膝当て縦軸取付腕(組) | (1) |
| 11 | | 229-32404 | BRACKET | 膝当て縦軸取付腕 | (1) |
| 12 | | 229-34707 | SCREW | 膝当て縦軸取付腕締めねじ | (2) |
| 13 | | RE-1000000-K0 | E-RING 10 | E形止め輪 10 | (1) |
| 14 | | SM-9061853-SR | SCREW M6 L=17.5 | 六角ボルト | (1) |
| 15 | | NM-6060001-SE | NUT M6 | 六角ナット M6 1種 | (1) |
| 16 | | HX-0066900-0A | GROMMET | グロメット | (2) |
| 17 | | SS-6700710-SH | SCREW 5/16-24 L=7 | 平ねじ 5/16-24 L=7 | (1) |
| 18 | | RO-0982401-00 | O-RING | Oリング | (1) |
| 19 | | 401-56726 | KNEE LIFTER SPRING | 膝上げ回転腕ばね | (1) |
| 20 | | 229-34251 | KNEE PAD PLATE ASM. | 膝当て板(組) | 1 |
| 21 | | SM-9061203-SE | SCREW M6 L=12 | 六角ボルト M6 L=12 | (1) |
| 22 | | 229-34509 | KNEE PAD PLATE COVER | 膝当て板カバー | (1) |
| 23 | | 229-34608 | KNEE PAD UPRIGHT SHAFT | 膝当て立軸 | (1) |
| 24 | | 229-34400 | KNEE PAD PLATE RUBBER | 膝当て板ゴム | (1) |
| 25 | | 229-34202 | KNEE PAD PLATE | 膝当て板 | (1) |
| 26 | | 229-34301 | KNEE PAD PLATE SUPPORT | 膝当て板支え | (1) |

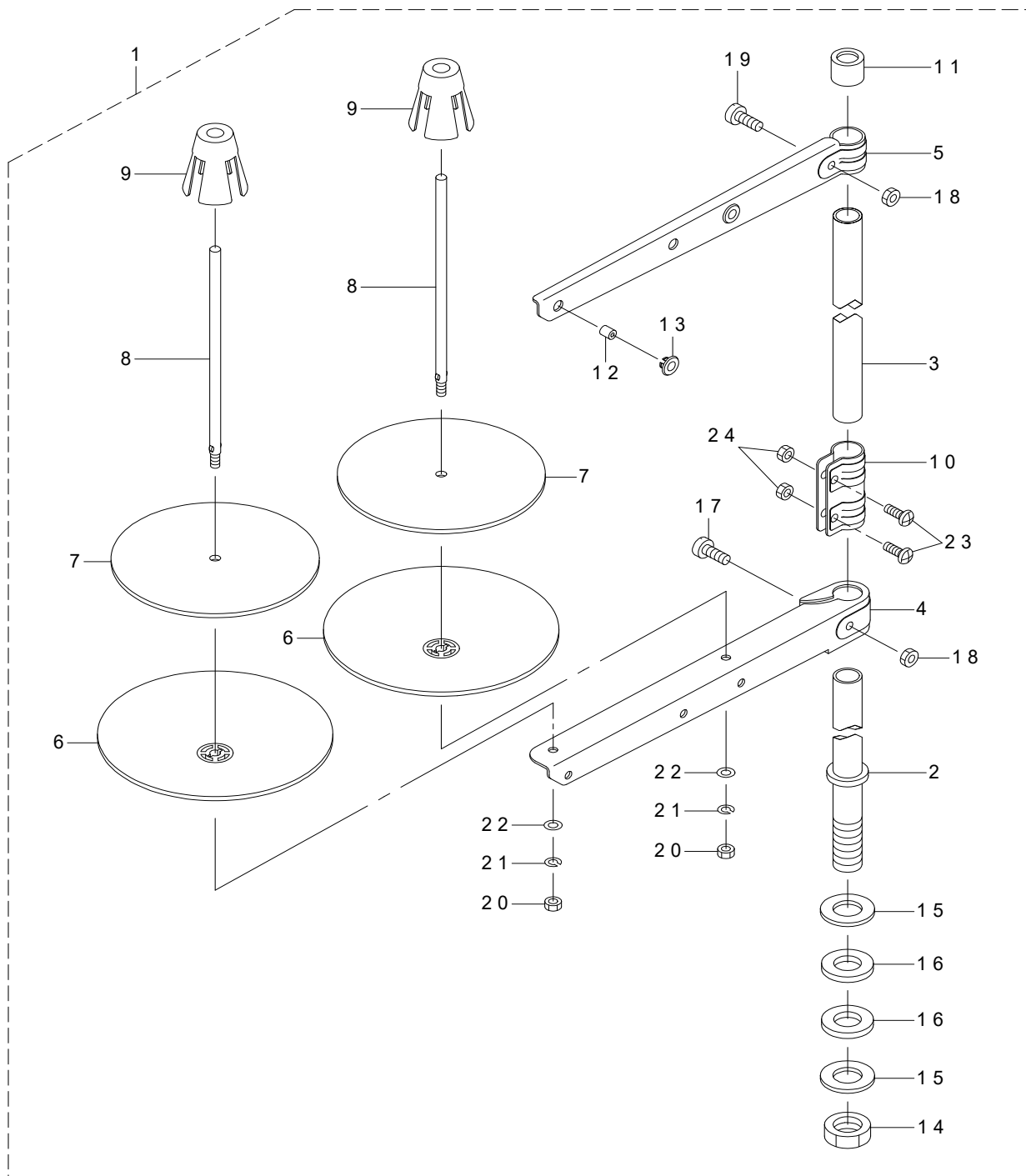
12. PSC UNIT
PSC ユニット



| REF.NO | NOTE | PART NO | DESCRIPTION | 品 名 | Qty |
|--------|-------|---------------|---|-----------------|-----|
| 1 | #01 | 401-56704 | CONTROL BOX | 電装 | 1 |
| 2 | #02 | 401-63109 | CONTROL_BOX_CE | コントロールボックスCE | 1 |
| 3 | #01 | 401-41200 | AC INPUT CORD ASSY | AC入力コード組 | (1) |
| 4 | #01 | 401-41201 | FLT PCB ASSY | FLT基板組 | (1) |
| 5 | | 401-41203 | INPUT CHECK CORD ASSY | 入力確認コード組 | (1) |
| 6 | #01 | 401-41204 | PWR PCB ASSY | PWR基板組 | (1) |
| 7 | | 401-41205 | PWR PCB FILM SHEET | PWR基板保護シート | (1) |
| 8 | | 401-41206 | RESISTANCE_A_ASSY | 回生抵抗組 | (1) |
| 9 | | 401-41207 | DC POWER SUPPLY CORD ASSY | DC電源ケーブル組 | (1) |
| 10 | #01 | 401-41208 | CTL PCB ASSY | CTL基板組 | (1) |
| 11 | #01 | 401-41209 | PEDAL CORD ASSY | ペダルコード組 | (1) |
| 12 | #01 | 401-41210 | SOL POWER CORD ASSY | SOL電源ケーブル組 | (1) |
| 13 | | 401-41211 | SOL SIGNAL CORD ASSY | SOL信号ケーブル組 | (1) |
| 14 | #01 | 401-41212 | SOL PCB ASSY | SOL基板組 | (1) |
| 15 | * #01 | 401-86301 | RATING LABEL A DRAWING | 定格銘板 | (1) |
| 16 | | 401-41217 | PSC COVER | 電装カバー | (1) |
| 17 | | 401-41214 | PANEL COVER ASSY | パネルカバー組 | (1) |
| 18 | | 401-41215 | PANEL COVER | パネルカバー | (1) |
| 19 | | 401-41216 | MEMBRANE SWITCH | メンブレンスイッチ | (1) |
| 20 | #01 | 401-41213 | PNL PCB ASSY | PNL基板組 | (1) |
| 21 | | 401-41199 | FRAME | フレーム | (1) |
| 22 | * #02 | 401-86302 | RATING LABEL C DRAWING | 定格銘板CE | (1) |
| 23 | #02 | 401-45554 | PWR-CE PCB ASSY | PWR-CE基板組 | (1) |
| 24 | #02 | 401-45555 | CTL-CE PCB ASSY | CTL-CE基板組 | (1) |
| 25 | #02 | 401-45553 | FLT-CE PCB ASSY | FLT-CE基板組 | (1) |
| 26 | #02 | 401-49316 | AC INPUT CORD ASSY | AC入力コード組CE | (1) |
| 27 | #02 | 401-45556 | SOL-CE PCB ASSY | SOL-CE基板組 | (1) |
| 28 | #02 | 401-45557 | PEDAL CORD CE ASSY | ペダルコードCE組 | (1) |
| 29 | #02 | 401-45558 | SOL POWER CORD CE ASSY | SOL電源ケーブルCE組 | (1) |
| 30 | #02 | 401-45921 | PNL-CE PCB ASSY | PNL-CE基板組 | (1) |
| 31 | #02 | 401-45944 | EMI GASKET | EMIガスケット | (1) |
| 32 | | 401-57011 | CONNECTOR COVER | コネクタカバー | (1) |
| 33 | | 401-45540 | PRT CORD ASSY | PRTコード組 | (1) |
| 34 | | CM-3002000-01 | FINGER INJURY CAUTION LABEL (16) | 指げが注意シール (16) | (1) |
| 35 | #01 | 401-83785 | SWITCH DUSTPROOF CAOER ASSY | スイッチ防塵カバー (組) | (1) |
| 36 | #01 | 401-41225 | SLO-BLO FUSE | タイムラグヒューズ 15A | 1 |
| 37 | #01 | 401-41226 | SLO-BLO FUSE | タイムラグヒューズ 3.15A | 1 |
| 38 | #01 | 401-41227 | SLO-BLO FUSE | タイムラグヒューズ 6.3A | 1 |
| 39 | #02 | 401-62159 | AC POWER CORD ASSY CE | AC電源コード組 (CE) | 1 |
| 40 | #02 | 401-41220 | AC POWER CORD ASSY | 電源入力線組 | 1 |
| 41 | | 401-41219 | PEDAL_SENSOR_A_ASSY | ペダルセンサ組 | 1 |
| 42 | | 400-42134 | CONNCEING_ROD_ASSY | 連結棒組 | 1 |
| 43 | #01 | 401-41223 | CORD STAPLE | ステップル | 3 |
| 44 | | 401-41224 | SCREW | 木ねじ | 3 |
| | | NOTE(注記) | #01....VARIOUS NOS. FOR DESTINATIONS #02....FOR CE | 仕向地による CE用 | |

13. THREAD STAND COMPONENTS

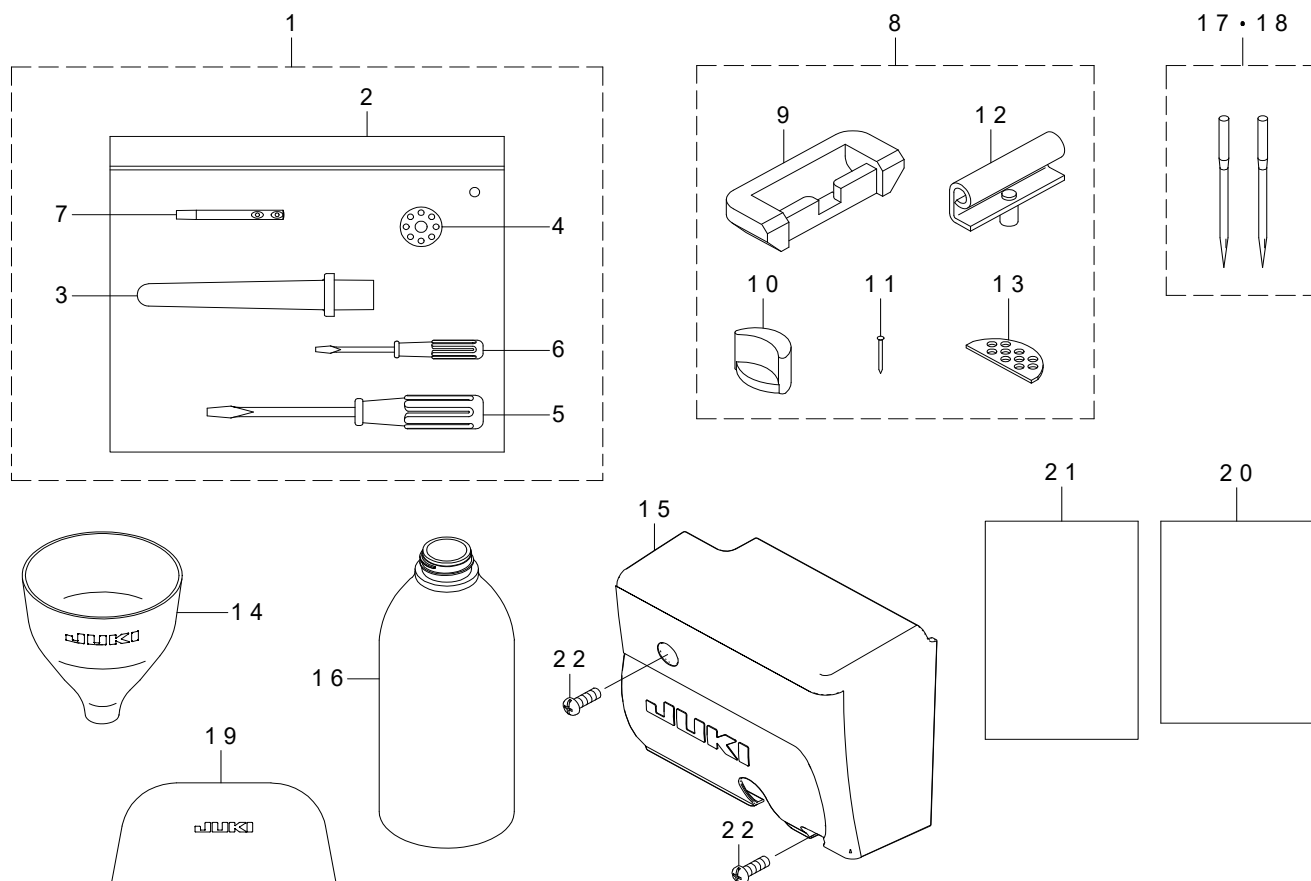
糸立装置関係



| REF.NO | NOTE | PART NO | DESCRIPTION | 品名 | Qty |
|--------|------|---------------|-------------------------------|---------------|-----|
| 1 | | 400-96354 | THREAD STAND ASM. | 糸立装置 (組) | 1 |
| 2 | | 400-85784 | SPOOL REST ROD LOWER | 糸立棒 (下) | (1) |
| 3 | | 400-85785 | SPOOL REST ROD UPPER | 糸立棒 (上) | (1) |
| 4 | | 400-85786 | SPOOL REST ARM LOWER | 糸立腕 (下) | (1) |
| 5 | | 400-85787 | SPOOL REST ARM UPPER | 糸立腕 (上) | (1) |
| 6 | | 400-85788 | SPOOL REST | 糸巻受皿 | (2) |
| 7 | | 400-85789 | SPOOL REST CUSHION | 糸巻受皿クッション | (2) |
| 8 | | 400-85790 | SPOOL PIN | 糸巻受棒 | (2) |
| 9 | | 400-85791 | SPOOL RETAINER | 糸巻振れ止め | (2) |
| 10 | | 400-85792 | SPOOL REST ROD JOINT | 糸立棒継手 | (1) |
| 11 | | 400-85793 | SPOOL REST ROD RUBBER CAP | 糸立棒保護キャップ | (1) |
| 12 | | 400-85794 | THREAD GUIDE | 糸道 | (2) |
| 13 | | 400-85795 | THREAD GUIDE BUSHING | 糸道ブッシュ | (2) |
| 14 | | 400-96325 | SPOOL REST ROD NUT | 糸立棒止ナット | (1) |
| 15 | | WP-1612616-SE | WASHER 16X30X2.6 | 平座金 | (2) |
| 16 | | 400-85796 | SPOOL REST ROD RUBBER CUSHION | 糸立棒防振ゴム | (2) |
| 17 | | 400-96326 | SPOOL REST ARM LOWER SCREW | 糸立腕 (下) 止めねじ | (1) |
| 18 | | NM-6050001-SE | NUT M5 | 六角ナット M5 | (2) |
| 19 | | 400-96327 | SPOOL REST ARM UPPER SCREW | 糸立腕 (上) 止めねじ | (1) |
| 20 | | NM-6050001-SE | NUT M5 | 六角ナット M5 | (2) |
| 21 | | WS-0510002-KN | SPRING WASHER M5 | ばね座金 M5 | (2) |
| 22 | | WP-0531001-SC | WASHER M5 | 平座金みがき丸 M5 | (2) |
| 23 | | SM-4051405-SE | SCREW M5 L=14 | なべ小ねじ M5 L=14 | (2) |
| 24 | | NM-6050001-SE | NUT M5 | 六角ナット M5 | (2) |

14. ACCESSORIE PARTS COMPONENTS

付属品関係

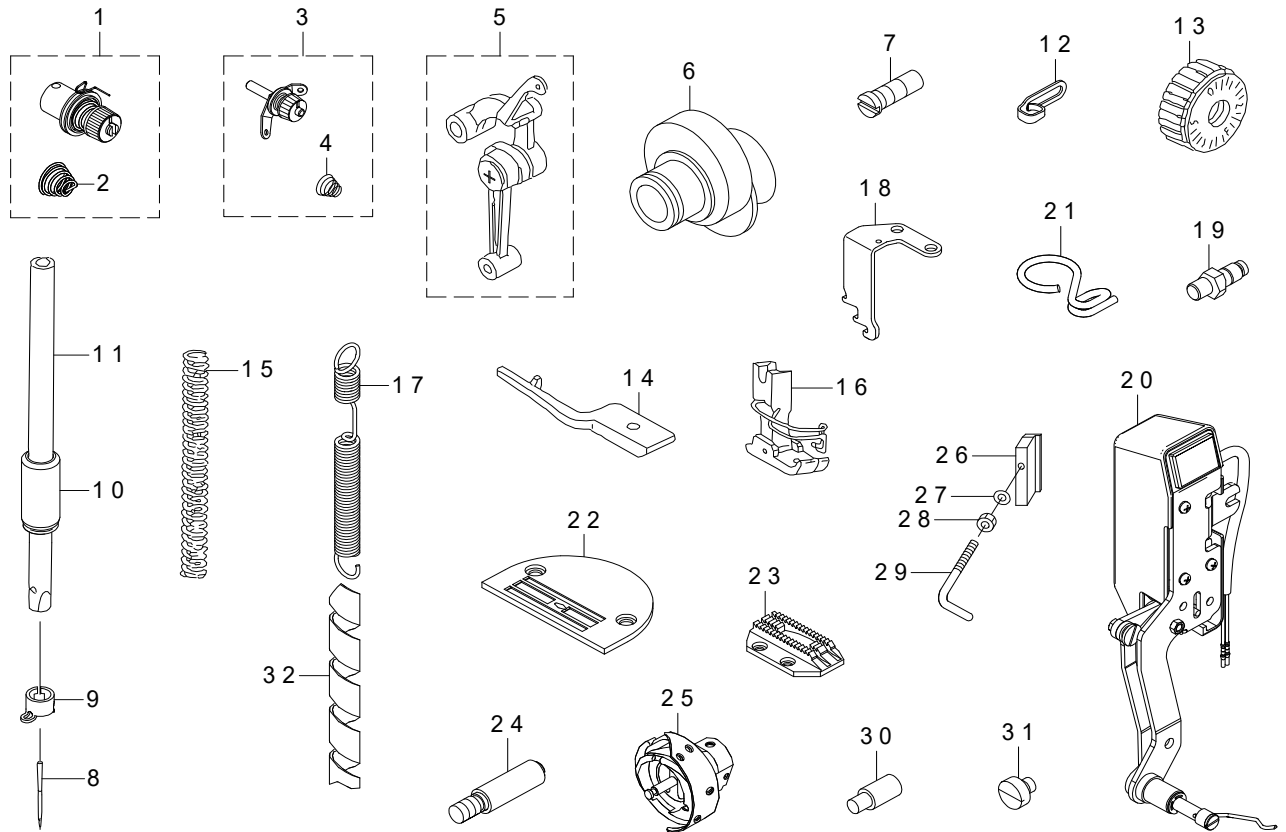


| REF.NO | NOTE | PART NO | DESCRIPTION | 品名 | Qty | |
|--------|------|---------------|-------------------------------|---------------------|---------------|---|
| 1 | | 401-84578 | ACCESSORY BAG ASSY | 付属品バッグ (組) | 1 | |
| 2 | | 229-32800 | ACCESSORIE BAG | 付属品バッグ | (1) | |
| 3 | * | 401-90076 | FRAME_SUPPORT_BAR | 頭部支え棒 | (1) | |
| 4 | ☆ | 229-32909 | BOBBIN | ボビン | (1) | |
| 5 | | 229-33105 | SCREW DRIVER MIDDLE | ドライバー (中) | (1) | |
| 6 | | 229-33204 | SCREW DRIVER SMALL | ドライバー (小) | (1) | |
| 7 | | 229-58300 | NEEDLE THREAD GUIDE PIN | 糸案内棒 | (1) | |
| 8 | | 229-58052 | RUBBER HINGE ASM. | ラバーヒンジ (組) | 1 | |
| 9 | | 229-26000 | RUBBER CUSHION | ゴムヒンジ座 | (2) | |
| 10 | | 229-58003 | FRAME BUBBER CUSHION | 頭部支えゴム座 | (2) | |
| 11 | | 229-26208 | NAIL | ゴムヒンジ座打ち釘 | (8) | |
| 12 | | 229-26356 | HINGE COMPL. | ヒンジ結合 | (2) | |
| 13 | | 229-26505 | WASHER | 頭部クッション座 | (2) | |
| 14 | | 131-60601 | FUNNEL | 漏斗 | 1 | |
| 15 | | 401-87727 | REVERSF FEED SOLENOID COVER | 逆送りソレノイドカバー | 1 | |
| 16 | ☆ | #01 | MML-007600CA | JUKI MACHINE OIL 7 | JUKI マシンオイル 7 | 1 |
| 17 | ☆ | #01 | MDB-100B1402 | NEEDLE DBX1#14-2 | 針 DBX1#14-2 | 1 |
| 18 | ☆ | #01 | MC-2005009-02 | NEEDLE 134 #90-2 | 針 134 #90-2 | 1 |
| 19 | | 401-35803 | HEAD COVER | 頭部カバー | 1 | |
| 20 | #01 | CM-6001002-01 | WEEE INFORMATION SHEET | WEEE インフォメーションシート | 1 | |
| 21 | | 401-86378 | SAFETY_INSTRUCTION_MANUAL(EG) | 安全注意書 (DDL-900B) 英語 | 1 | |
| 22 | | SS-4121415-SP | SCREW 3/16-28 L=14 | なべねじ 3/16-28 L=14 | 2 | |

NOTE(注記) #01....ACCORDING TO MANUFACTURING BASE 製造拠点による

15. EXCLUSIVE PARTS FOR H

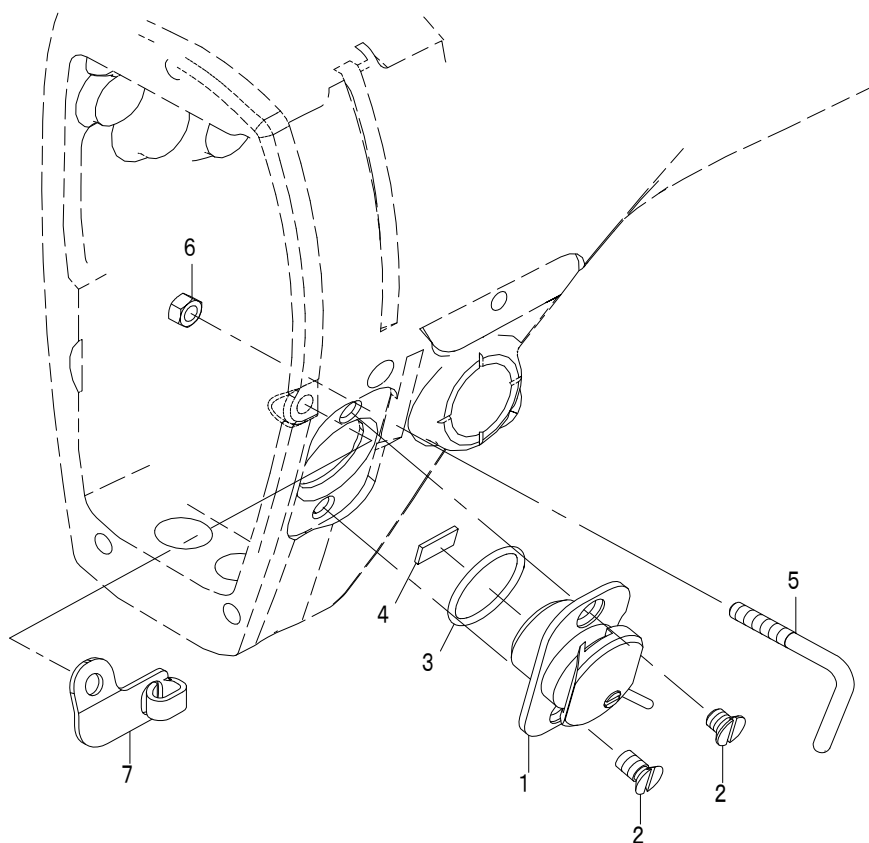
H 専用部品



| REF.NO | NOTE | PART NO | DESCRIPTION | 品名 | Qty |
|--------|------|-----------------|--------------------------------|------------------|-----|
| 1 | | 229-62054 | THREAD TENSION ASM. | 糸調子(組) | 1 |
| 2 | | 229-62005 | THREAD TENSION SPRING | 糸調子ばね | (1) |
| 3 | | 229-63458 | THREAD TENSION ASM | 第一糸調子(組) | 1 |
| 4 | | 229-63409 | THREAD TENSION SPRING | 第一糸調子ばね | (1) |
| 5 | | 401-03560 | LINK THREAD TAKE-UP LEVER ASM. | リンク天秤(組) | 1 |
| 6 | | 229-62351 | FEED DRIVE ECCENTRIC CAM ASM. | 送り偏心カム(組) | 1 |
| 7 | | B1213-552-000-A | OIL ADJUSTING PIN | クランク油量調節ピン | 1 |
| 8 | | MDB-100B2100 | NEEDLE DBX1 #21 | 針 DBX1 #21 | 1 |
| 9 | | B1418-415-H00 | NEEDLE BAR THREAD GUIDE | 針棒糸掛け | 1 |
| 10 | | 229-70313 | NEEDLE BAR BUSHING LOWER | 針棒下メタル | 1 |
| 11 | | 229-70206 | NEEDLE BAR | 針棒 | 1 |
| 12 | | 110-91006 | ARM THREAD GUIDE (HA) | アーム糸案内 (HA) | 1 |
| 13 | | 401-01726 | FEED_DIAL | 送りダイヤル | 1 |
| 14 | | 401-74353 | INNER_HOOK HOLDER_H | 中釜押えH | 1 |
| 15 | | B1505-552-000-A | PRESSER SPRING | 押え調節ばね | 1 |
| 16 | | D1524-555-EBL | PRESSER FOOT ASM. | 自由押え(組) (針ガード付き) | 1 |
| 17 | | 401-90609 | ADJUSTING_LINK_SPRING | 送り調節ばね | 1 |
| 18 | | 401-84565 | FEED_SPRING_HOOK | 送りばね掛け | 1 |
| 19 | | 229-71204 | FEED REGULATOR BASE PIN | 送り調節台ピン | 1 |
| 20 | | 401-41076 | WIPER_ASSY_H | ワイパー組H | 1 |
| 21 | | 400-23223 | NEEDLE BAR THREAD GUIDE | 針棒糸案内 | 1 |
| 22 | | 114-00801 | THROAT PLATE J | 針板 J | 1 |
| 23 | | 114-03003 | FEED J | 送り J | 1 |
| 24 | | 401-15888 | LEVER_STOPPER_ASSY | レバーストッパー(組) | 1 |
| 25 | | 110-92251 | HOOK ASM. | 金給油(組) | 1 |
| 26 | | 114-03805 | THREAD GUIDE C FITTING PLATE | 糸案内C取付板 | 1 |
| 27 | | WP-0371016-SD | WASHER 3.7X8X1 | 平座金 3.7X8X1 | 1 |
| 28 | | NS-6090310-SP | NUT 9/64-40 | 六角ナット 9/64-40 | 1 |
| 29 | | 229-72608 | ARM THREAD GUIDE C | アーム糸案内C | 1 |
| 30 | | 400-10395 | ADJUSTING LINK FULCRUM SHAFT B | 調節リンク支点軸 | 1 |
| 31 | | SS-6080320-SP | SCREW 1/8-44 L=2.5 | 平ねじ 1/8-44 L=2.5 | 1 |
| 32 | | HX-0018900-00 | SPIRAL TUBE | スパイラルチューブ | 1 |

16. EXCLUSIVE PARTS TYPE NB

NB 仕様専用部品



| REF.NO | NOTE | PART NO | DESCRIPTION | 品名 | Qty |
|--------|------|---------------|-----------------------|--------------------|-----|
| 1 | | 401-90699 | THREAD_NIPPER_SET | 糸押えセット | 1 |
| 2 | | SS-1110640-TP | SCREW 11/64-40 L= 5.5 | 皿ねじ 11/64-40 L=5.5 | 2 |
| 3 | | G1164-870-000 | SUCTION O RING | サクシヨンOリング | 1 |
| 4 | | 134-03605 | RUBBER_PLATE | ラバープレート | 1 |
| 5 | * | 401-87738 | ARM_THREAD_GUIDE | アーム糸案内 | 1 |
| 6 | | NS-6090310-SP | NUT 9/64-40 | 六角ナット 9/64-40 | 1 |
| 7 | | 401-87311 | ARM_THREAD_GUIDE B | アーム糸案内B | 1 |

17. LIST FOR INFORMATION OF CHANGE

変更情報リスト

As to the place changed, refer to the corresponding Rev. No.
 When previous parts (Obsoleted part) and new parts (Added parts) are not interchangeable with each other:

In this case, even obsoleted parts (D.) can be ordered with the obsoleted part number, so select the parts with changed dates and place your orders.

変更箇所は、該当 Rev. No. 版をご参照ください。
 部品の互換性がない変更の場合は、削除された品番でも、ご注文できます。

No. 1701-03...Rev. No.

*A: Added parts 追加部品 / D: Obsoleted parts 削除部品 / E: Erratum 訂正

| * Rev. No. | Page 頁 | Ref. No. | Parts No. 品番 | * Rev. No. | Page 頁 | Ref. No. | Parts No. 品番 | | |
|------------------|-----------|-------------|-----------------|------------------|-----------|-------------|-----------------|---------------|-----------|
| D | 02 | 6 | 34 | 401-11872 | A | 03 | 6 | 34 | 402-00576 |
| D | 02 | 6 | 46 | 401-56681 | A | 03 | 6 | 46 | 401-91470 |
| D | 02 | 12 | 83 | 401-90682 | | | | | |
| | | | | A | 03 | 14 | 41 | 401-87740 | |
| D | 02 | 15 | 17 | 401-84559 | A | 03 | 15 | 17 | 401-98464 |
| D | 02 | 20 | 4 | 401-56725 | A | 03 | 20 | 4 | 401-87310 |
| | | | | A | 03 | 20 | 8 | SM-8062012-TP | |
| D | 02 | 22 | 15 | 401-56706 | A | 03 | 22 | 15 | 401-86301 |
| D | 02 | 22 | 22 | 401-56707 | A | 03 | 22 | 22 | 401-86302 |
| D | 02 | 25 | 3 | B8216-271-000 | A | 03 | 25 | 3 | 401-90076 |
| D | 02 | 27 | 3 | SS-1110840-SP | | | | | |
| D | 02 | 27 | 4 | M8002-430-000 | | | | | |
| D | 02 | 27 | 5 | 229-72608 | A | 03 | 27 | 5 | 401-87738 |
| D | 02 | 27 | 7 | WP-0371026-SD | | | | | |
| D | 02 | 27 | 8 | 114-03805 | | | | | |
| D | 02 | 27 | 9 | CQ-2020000-00 | | | | | |
| | | | | | | | | | |
| | | | | | | | | | |
| | | | | | | | | | |
| | | | | | | | | | |
| | | | | | | | | | |
| | | | | | | | | | |
| | | | | | | | | | |
| | | | | | | | | | |
| | | | | | | | | | |
| | | | | | | | | | |
| | | | | | | | | | |
| | | | | | | | | | |
| | | | | | | | | | |
| | | | | | | | | | |
| | | | | | | | | | |
| | | | | | | | | | |
| | | | | | | | | | |
| | | | | | | | | | |
| | | | | | | | | | |
| | | | | | | | | | |

NUMERICAL INDEX OF PARTS

索引

| PART NO 品番 | PAGE 頁 | REF NO | PART NO 品番 | PAGE 頁 | REF NO | PART NO 品番 | PAGE 頁 | REF NO | PART NO 品番 | PAGE 頁 | REF NO |
|---------------|-----------|-----------|---------------|-----------|-----------|---------------|-----------|-----------|---------------|-----------|-----------|
| 229-08800 | 10 | 14 | 229-26505 | 25 | 13 | 262-61008 | 4 | 9 | 401-11025 | 6 | 36 |
| 229-08909 | 10 | 11 | 229-32107 | 20 | 5 | 262-61206 | 4 | 10 | 401-11424 | 6 | 32 |
| 229-09006 | 10 | 13 | 229-32404 | 20 | 11 | 262-61305 | 4 | 11 | 401-11897 | 12 | 52 |
| 229-10004 | 6 | 18 | 229-32453 | 20 | 10 | 262-61503 | 4 | 12 | 401-12907 | 14 | 38 |
| 229-10053 | 6 | 16 | 229-32800 | 25 | 2 | 262-61602 | 4 | 13 | 401-13241 | 4 | 34 |
| 229-10103 | 6 | 13 | 229-32909 | 8 | 18 | 262-61701 | 4 | 14 | 401-15888 | 26 | 24 |
| 229-10202 | 12 | 15 | 229-32909 | 25 | 4 | | | | 401-19475 | 4 | 24 |
| 229-10251 | 12 | 11 | 229-33105 | 25 | 5 | 400-10395 | 26 | 30 | 401-25485 | 12 | 31 |
| 229-10459 | 12 | 27 | 229-33204 | 25 | 6 | 400-11144 | 4 | 15 | 401-26308 | 2 | 60 |
| 229-10806 | 12 | 28 | 229-34202 | 20 | 25 | 400-12126 | 2 | 2 | 401-26849 | 8 | 49 |
| 229-10905 | 12 | 24 | 229-34251 | 20 | 20 | 400-12129 | 2 | 11 | 401-27152 | 14 | 1 |
| 229-11002 | 12 | 40 | 229-34301 | 20 | 26 | 400-17215 | 18 | 50 | 401-27153 | 14 | 2 |
| 229-11101 | 12 | 13 | 229-34400 | 20 | 24 | 400-17805 | 10 | 35 | 401-27154 | 14 | 4 |
| 229-11408 | 12 | 1 | 229-34509 | 20 | 22 | 400-21933 | 4 | 17 | 401-27155 | 14 | 6 |
| 229-11507 | 12 | 2 | 229-34608 | 20 | 23 | 400-22407 | 2 | 68 | 401-27157 | 14 | 10 |
| 229-11606 | 12 | 4 | 229-34707 | 20 | 12 | 400-23223 | 26 | 21 | 401-27160 | 14 | 13 |
| 229-11804 | 12 | 7 | 229-39508 | 8 | 3 | 400-24644 | 18 | 35 | 401-27163 | 14 | 19 |
| 229-12000 | 12 | 9 | 229-39607 | 8 | 41 | 400-28281 | 18 | 53 | 401-27164 | 14 | 21 |
| 229-12109 | 12 | 8 | 229-40506 | 12 | 10 | 400-29963 | 12 | 66 | 401-27167 | 14 | 24 |
| 229-12257 | 12 | 19 | 229-40654 | 12 | 55 | 400-29963 | 12 | 79 | 401-27168 | 14 | 26 |
| 229-12505 | 12 | 20 | 229-40753 | 12 | 35 | 400-37008 | 4 | 32 | 401-27180 | 14 | 28 |
| 229-13008 | 12 | 75 | 229-41306 | 12 | 36 | 400-37500 | 16 | 29 | 401-27182 | 14 | 30 |
| 229-13701 | 12 | 38 | 229-45307 | 2 | 40 | 400-37502 | 18 | 9 | 401-27183 | 14 | 31 |
| 229-13800 | 12 | 16 | 229-45356 | 2 | 32 | 400-41419 | 16 | 10 | 401-27190 | 14 | 40 |
| 229-13859 | 12 | 12 | 229-45414 | 2 | 22 | 400-42134 | 22 | 42 | 401-27192 | 8 | 31 |
| 229-15003 | 12 | 73 | 229-45463 | 2 | 21 | 400-50314 | 10 | 10 | 401-32099 | 2 | 63 |
| 229-15359 | 12 | 58 | 229-45505 | 2 | 25 | 400-60989 | 10 | 5 | 401-33950 | 12 | 80 |
| 229-16308 | 8 | 27 | 229-45604 | 2 | 23 | 400-77851 | 16 | 26 | 401-35803 | 25 | 19 |
| 229-16506 | 8 | 38 | 229-45703 | 2 | 26 | 400-77852 | 16 | 16 | 401-36258 | 2 | 67 |
| 229-16555 | 8 | 36 | 229-45703 | 4 | 30 | 400-85784 | 24 | 2 | 401-36258 | 18 | 66 |
| 229-17157 | 8 | 29 | 229-45802 | 2 | 24 | 400-85785 | 24 | 3 | 401-37504 | 6 | 23 |
| 229-18064 | 6 | 5 | 229-47105 | 18 | 26 | 400-85786 | 24 | 4 | 401-37504 | 12 | 49 |
| 229-18072 | 6 | 4 | 229-52501 | 2 | 18 | 400-85787 | 24 | 5 | 401-39771 | 15 | 2 |
| 229-18106 | 6 | 7 | 229-53400 | 12 | 82 | 400-85788 | 24 | 6 | 401-40080 | 2 | 66 |
| 229-18304 | 6 | 6 | 229-55504 | 16 | 12 | 400-85789 | 24 | 7 | 401-40191 | 15 | 3 |
| 229-18403 | 6 | 9 | 229-55900 | 16 | 4 | 400-85790 | 24 | 8 | 401-40306 | 15 | 4 |
| 229-18502 | 6 | 10 | 229-56007 | 16 | 5 | 400-85791 | 24 | 9 | 401-40419 | 6 | 37 |
| 229-18601 | 6 | 11 | 229-56106 | 16 | 6 | 400-85792 | 24 | 10 | 401-40991 | 16 | 14 |
| 229-18700 | 6 | 12 | 229-56205 | 16 | 7 | 400-85793 | 24 | 11 | 401-40992 | 16 | 1 |
| 229-19203 | 6 | 29 | 229-56304 | 16 | 8 | 400-85794 | 24 | 12 | 401-40994 | 16 | 2 |
| 229-19559 | 6 | 2 | 229-56403 | 16 | 9 | 400-85795 | 24 | 13 | 401-41076 | 26 | 20 |
| 229-20102 | 10 | 29 | 229-56809 | 16 | 11 | 400-85796 | 24 | 16 | 401-41199 | 22 | 21 |
| 229-20201 | 10 | 23 | 229-56908 | 16 | 13 | 400-86678 | 16 | 15 | 401-41200 | 22 | 3 |
| 229-20300 | 10 | 26 | 229-57203 | 16 | 25 | 400-86679 | 16 | 28 | 401-41201 | 22 | 4 |
| 229-20409 | 10 | 24 | 229-58003 | 25 | 10 | 400-86740 | 6 | 21 | 401-41203 | 22 | 5 |
| 229-20508 | 2 | 30 | 229-58052 | 25 | 8 | 400-89548 | 12 | 25 | 401-41204 | 22 | 6 |
| 229-20607 | 2 | 47 | 229-58300 | 2 | 7 | 400-90002 | 8 | 14 | 401-41205 | 22 | 7 |
| 229-20904 | 2 | 43 | 229-58300 | 25 | 7 | 400-90003 | 8 | 16 | 401-41206 | 22 | 8 |
| 229-21001 | 2 | 31 | 229-62005 | 26 | 2 | 400-90004 | 8 | 19 | 401-41207 | 22 | 9 |
| 229-21209 | 2 | 38 | 229-62054 | 26 | 1 | 400-90005 | 8 | 21 | 401-41208 | 22 | 10 |
| 229-21308 | 2 | 33 | 229-62351 | 26 | 6 | 400-90058 | 8 | 6 | 401-41209 | 22 | 11 |
| 229-21407 | 2 | 34 | 229-63409 | 26 | 4 | 400-93417 | 12 | 26 | 401-41210 | 22 | 12 |
| 229-21506 | 2 | 37 | 229-63458 | 26 | 3 | 400-96325 | 24 | 14 | 401-41211 | 22 | 13 |
| 229-21506 | 4 | 28 | 229-70206 | 26 | 11 | 400-96326 | 24 | 17 | 401-41212 | 22 | 14 |
| 229-21605 | 2 | 39 | 229-70313 | 26 | 10 | 400-96327 | 24 | 19 | 401-41213 | 22 | 20 |
| 229-21704 | 2 | 35 | 229-71204 | 26 | 19 | 400-96354 | 24 | 1 | 401-41214 | 22 | 17 |
| 229-21803 | 2 | 36 | 229-72608 | 26 | 29 | 400-98388 | 10 | 34 | 401-41215 | 22 | 18 |
| 229-23015 | 18 | 14 | 236-10652 | 10 | 49 | 400-99083 | 2 | 58 | 401-41216 | 22 | 19 |
| 229-23056 | 18 | 12 | 236-10702 | 10 | 51 | 401-01541 | 20 | 9 | 401-41217 | 22 | 16 |
| 229-23205 | 18 | 17 | 236-11106 | 10 | 47 | 401-01726 | 26 | 13 | 401-41219 | 22 | 41 |
| 229-23312 | 18 | 13 | 236-20206 | 8 | 12 | 401-02097 | 2 | 1 | 401-41220 | 22 | 40 |
| 229-23403 | 18 | 19 | 236-29306 | 15 | 27 | 401-02261 | 2 | 13 | 401-41223 | 22 | 43 |
| 229-23502 | 18 | 21 | 236-29306 | 18 | 56 | 401-03560 | 26 | 5 | 401-41224 | 22 | 44 |
| 229-23601 | 18 | 20 | 236-30007 | 15 | 26 | 401-09422 | 12 | 45 | 401-41225 | 22 | 36 |
| 229-23700 | 18 | 15 | 236-30007 | 18 | 42 | 401-10376 | 6 | 45 | 401-41226 | 22 | 37 |
| 229-23809 | 18 | 18 | 236-30007 | 18 | 43 | 401-10379 | 12 | 43 | 401-41227 | 22 | 38 |
| 229-23908 | 18 | 22 | 236-32102 | 15 | 6 | 401-10390 | 6 | 40 | 401-41523 | 8 | 7 |
| 229-24153 | 18 | 6 | 262-31902 | 18 | 48 | 401-10731 | 4 | 25 | 401-45540 | 22 | 33 |
| 229-24302 | 18 | 7 | 262-60109 | 4 | 2 | 401-10734 | 4 | 26 | 401-45553 | 22 | 25 |
| 229-24609 | 18 | 28 | 262-60208 | 4 | 3 | 401-10975 | 4 | 16 | 401-45554 | 22 | 23 |
| 229-24708 | 18 | 1 | 262-60307 | 4 | 4 | 401-10976 | 4 | 1 | 401-45555 | 22 | 24 |
| 229-25101 | 18 | 5 | 262-60406 | 4 | 5 | 401-10977 | 6 | 15 | 401-45556 | 22 | 27 |
| 229-26000 | 25 | 9 | 262-60505 | 4 | 6 | 401-10978 | 6 | 20 | 401-45557 | 22 | 28 |
| 229-26208 | 25 | 11 | 262-60604 | 4 | 7 | 401-10979 | 6 | 28 | 401-45558 | 22 | 29 |
| 229-26356 | 25 | 12 | 262-60802 | 4 | 8 | 401-10999 | 16 | 3 | 401-45921 | 22 | 30 |

NUMERICAL INDEX OF PARTS

索引

| PART NO 品番 | PAGE 頁 | REF NO | PART NO 品番 | PAGE 頁 | REF NO | PART NO 品番 | PAGE 頁 | REF NO | PART NO 品番 | PAGE 頁 | REF NO |
|---------------|-----------|-----------|---------------|-----------|-----------|---------------|-----------|-----------|---------------|-----------|-----------|
| 401-45944 | 22 | 31 | | | | | | | | | |
| 401-48382 | 15 | 1 | | | | | | | | | |
| 401-49069 | 15 | 5 | | | | | | | | | |
| 401-49316 | 22 | 26 | | | | | | | | | |
| 401-56677 | 2 | 4 | | | | | | | | | |
| 401-56684 | 12 | 39 | | | | | | | | | |
| 401-56704 | 22 | 1 | | | | | | | | | |
| 401-56726 | 20 | 19 | | | | | | | | | |
| 401-56758 | 12 | 64 | | | | | | | | | |
| 401-57011 | 22 | 32 | | | | | | | | | |
| 401-58189 | 12 | 71 | | | | | | | | | |
| 401-62044 | 18 | 57 | | | | | | | | | |
| 401-62159 | 22 | 39 | | | | | | | | | |
| 401-62859 | 12 | 51 | | | | | | | | | |
| 401-63109 | 22 | 2 | | | | | | | | | |
| 401-63521 | 4 | 33 | | | | | | | | | |
| 401-74351 | 8 | 32 | | | | | | | | | |
| 401-74353 | 26 | 14 | | | | | | | | | |
| 401-82291 | 2 | 65 | | | | | | | | | |
| 401-83785 | 22 | 35 | | | | | | | | | |
| 401-84531 | 12 | 68 | | | | | | | | | |
| 401-84532 | 12 | 72 | | | | | | | | | |
| 401-84533 | 12 | 60 | | | | | | | | | |
| 401-84535 | 12 | 69 | | | | | | | | | |
| 401-84537 | 12 | 76 | | | | | | | | | |
| 401-84538 | 8 | 35 | | | | | | | | | |
| 401-84540 | 8 | 13 | | | | | | | | | |
| 401-84541 | 10 | 28 | | | | | | | | | |
| 401-84543 | 18 | 3 | | | | | | | | | |
| 401-84544 | 18 | 29 | | | | | | | | | |
| 401-84545 | 18 | 30 | | | | | | | | | |
| 401-84546 | 18 | 46 | | | | | | | | | |
| 401-84547 | 18 | 41 | | | | | | | | | |
| 401-84550 | 18 | 58 | | | | | | | | | |
| 401-84552 | 18 | 59 | | | | | | | | | |
| 401-84554 | 14 | 9 | | | | | | | | | |
| 401-84555 | 14 | 15 | | | | | | | | | |
| 401-84556 | 14 | 18 | | | | | | | | | |
| 401-84558 | 14 | 39 | | | | | | | | | |
| 401-84560 | 15 | 16 | | | | | | | | | |
| 401-84562 | 15 | 11 | | | | | | | | | |
| 401-84563 | 20 | 1 | | | | | | | | | |
| 401-84564 | 20 | 2 | | | | | | | | | |
| 401-84565 | 26 | 18 | | | | | | | | | |
| 401-84575 | 18 | 11 | | | | | | | | | |
| 401-84578 | 25 | 1 | | | | | | | | | |
| 401-86203 | 14 | 34 | | | | | | | | | |
| 401-86209 | 12 | 67 | | | | | | | | | |
| 401-86301 | 22 | 15 | | | | | | | | | |
| 401-86302 | 22 | 22 | | | | | | | | | |
| 401-86378 | 25 | 21 | | | | | | | | | |
| 401-86644 | 12 | 48 | | | | | | | | | |
| 401-86696 | 10 | 18 | | | | | | | | | |
| 401-86847 | 15 | 29 | | | | | | | | | |
| 401-87304 | 15 | 18 | | | | | | | | | |
| 401-87306 | 14 | 29 | | | | | | | | | |
| 401-87307 | 15 | 22 | | | | | | | | | |
| 401-87308 | 10 | 20 | | | | | | | | | |
| 401-87310 | 20 | 4 | | | | | | | | | |
| 401-87311 | 27 | 7 | | | | | | | | | |
| 401-87485 | 18 | 62 | | | | | | | | | |
| 401-87727 | 25 | 15 | | | | | | | | | |
| 401-87734 | 14 | 22 | | | | | | | | | |
| 401-87736 | 18 | 65 | | | | | | | | | |
| 401-87738 | 27 | 5 | | | | | | | | | |
| 401-87740 | 14 | 41 | | | | | | | | | |
| 401-88851 | 2 | 57 | | | | | | | | | |
| 401-90076 | 25 | 3 | | | | | | | | | |
| 401-90609 | 26 | 17 | | | | | | | | | |
| 401-90699 | 27 | 1 | | | | | | | | | |
| 401-91470 | 6 | 46 | | | | | | | | | |
| 401-98464 | 15 | 17 | | | | | | | | | |
| 402-00576 | 6 | 34 | | | | | | | | | |