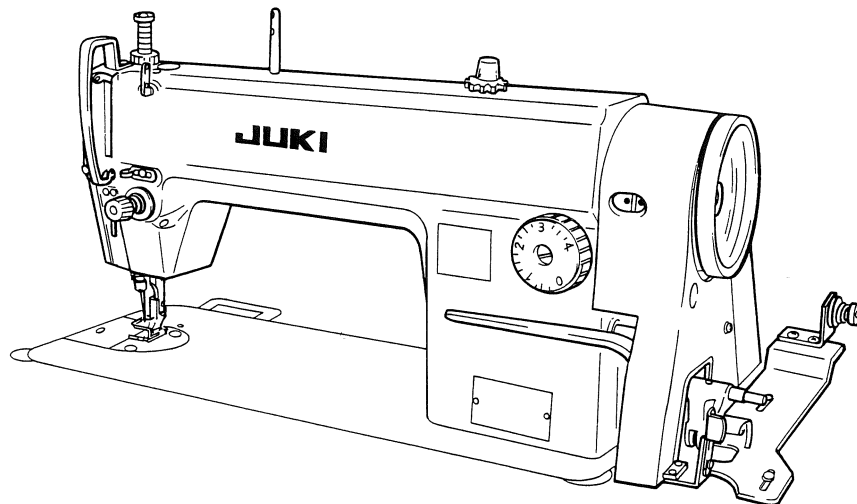


DDL-5550N

**INSTRUCTION MANUAL
BETRIEBSANLEITUNG
MANUAL DE INSTRUCCIONES**

**MANUEL D'UTILISATION
MANUALE D'ISTRUZIONI**



NOTE :	Read safety instructions carefully and understand them before using. Retain this Instruction Manual for future reference.
HINWEIS :	Lesen Sie die Sicherheitsanweisungen aufmerksam durch, um sich mit ihnen vertraut zu machen, bevor Sie diese Maschine in Betrieb nehmen. Bewahren Sie diese Bedienungsanleitung für spätere Bezugnahme auf.
NOTE :	Avant d'utiliser la machine, lire attentivement toutes les consignes de sécurité. Conserver ce manuel pour pouvoir le consulter en cas de besoin.
NOTA :	Antes de comenzar a usar esta máquina lea con detención hasta comprender todas las instrucciones de seguridad. Conserve este Manual de instrucciones a mano para futuras consultas.
NOTA :	Leggere attentamente e comprendere tutte le istruzioni per la sicurezza prima di iniziare l'uso di questa macchina. Conservare questo Manuale d'Istruzioni per pronto riferimento.

TO ENSURE SAFE USE OF YOUR SEWING MACHINE

For the sewing machine, automatic machine and ancillary devices (hereinafter collectively referred to as "machine"), it is inevitable to conduct sewing work near moving parts of the machine. This means that there is always a possibility of unintentionally coming in contact with the moving parts. Operators who actually operate the machine and maintenance personnel who are involved in maintenance and repair of the machine are strongly recommended to carefully read to fully understand the following **SAFETY PRECAUTIONS** before using/maintaining the machine. The content of the **SAFETY PRECAUTIONS** includes items which are not contained in the specifications of your product.

The risk indications are classified into the following three different categories to help understand the meaning of the labels. Be sure to fully understand the following description and strictly observe the instructions.

(I) Explanation of risk levels

	DANGER : This indication is given where there is an immediate danger of death or serious injury if the person in charge or any third party mishandles the machine or does not avoid the dangerous situation when operating or maintaining the machine.
	WARNING : This indication is given where there is a potentiality for death or serious injury if the person in charge or any third party mishandles the machine or does not avoid the dangerous situation when operating or maintaining the machine.
	CAUTION : This indication is given where there is a danger of medium to minor injury if the person in charge or any third party mishandles the machine or does not avoid the dangerous situation when operating or maintaining the machine.
	Items requiring special attention.

(II) Explanation of pictorial warning indications and warning labels

Pictorial warning indication		There is a risk of injury if contacting a moving section.	Pictorial warning indication		Be aware that holding the sewing machine during operation can hurt your hands.
		There is a risk of electrical shock if contacting a high-voltage section.			There is a risk of entanglement in the belt resulting in injury.
		There is a risk of a burn if contacting a high-temperature section.			There is a risk of injury if you touch the button carrier.
		Be aware that eye deficiency can be caused by looking directly at the laser beam.	Indication label		The correct direction is indicated.
		There is a risk of contact between your head and the sewing machine.			Connection of a earth cable is indicated.

Warning label		<p>① • There is the possibility that slight to serious injury or death may be caused.</p> <p>• There is the possibility that injury may be caused by touching moving part.</p> <p>② • To perform sewing work with safety guard.</p> <p>• To perform sewing work with safety cover.</p> <p>• To perform sewing work with safety protection device.</p> <p>③ • Be sure to turn the power OFF before carrying out "machine-head threading", "needle changing", "bobbin changing" or "oiling and cleaning".</p>

Electrical-shock danger label		<p>危険</p> <p>高電圧部分に触れて、大けがをすることがある。 電源を切って、5分以上たってからカバーをはずすこと。</p>	<p>DANGER</p> <p>Hazardous voltage will cause injury. Turn off main switch and unplug power cord and wait at least 5 minutes before opening this cover.</p>

SAFETY PRECAUTIONS

Accident means "to cause personal injury or death or damage to property."



DANGER

1. When it is necessary to open the control box containing electrical parts, be sure to turn the power off and wait for five minutes or more before opening the cover in order to prevent accident leading to electrical shock.



CAUTION

Basic precaution

1. Be sure to read the instruction manual and other explanatory documents supplied with accessories of the machine before using the machine. Carefully keep the instruction manual and the explanatory documents at hand for quick reference.
2. The content of this section includes items which are not contained in the specifications of your product.
3. Be sure to wear safety goggles to protect against accident caused by needle breakage.
4. Those who use a heart pacemaker have to use the machine after consultation with a medical specialist.

Safety devices and warning labels

1. Be sure to operate the machine after verifying that safety device(s) is correctly installed in place and works normally in order to prevent accident caused by lack of the device(s).
2. If any of the safety devices is removed, be sure to replace it and verify that it works normally in order to prevent accident that can result in personal injury or death.
3. Be sure to keep the warning labels adhered on the machine clearly visible in order to prevent accident that can result in personal injury or death. If any of the labels has stained or come unstuck, be sure to change it with a new one.

Application and modification

1. Never use the machine for any application other than its intended one and in any manner other than that prescribed in the instruction manual in order to prevent accident that can result in personal injury or death. JUKI assumes no responsibility for damages or personal injury or death resulting from the use of the machine for any application other than the intended one.
2. Never modify and alter the machine in order to prevent accident that can result in personal injury or death. JUKI assumes no responsibility for damages or personal injury or death resulting from the machine which has been modified or altered.

Education and training

1. In order to prevent accident resulting from unfamiliarity with the machine, the machine has to be used only by the operator who has been trained/educated by the employer with respect to the machine operation and how to operate the machine with safety to acquire adequate knowledge and operation skill. To ensure the above, the employer has to establish an education/training plan for the operators and educate/train them beforehand.

Items for which the power to the machine has to be turned off

Turning the power off: Turning the power switch off, then removing the power plug from the outlet.
This applies to the following.

1. Be sure to immediately turn the power off if any abnormality or failure is found or in the case of power failure in order to protect against accident that can result in personal injury or death.
2. To protect against accident resulting from abrupt start of the machine, be sure to carry out the following operations after turning the power off. For the machine incorporating a clutch motor, in particular, be sure to carry out the following operations after turning the power off and verifying that the machine stops completely.
 - 2-1. For example, threading the parts such as the needle, looper, spreader etc. which have to be threaded, or changing the bobbin.
 - 2-2. For example, changing or adjusting all component parts of the machine.
 - 2-3. For example, when inspecting, repairing or cleaning the machine or leaving the machine.
3. Be sure to remove the power plug by holding the plug section instead of the cord section in order to prevent electrical-shock, earth-leakage or fire accident.
4. Be sure to turn the power off whenever the machine is left unattended between works.
5. Be sure to turn the power off in the case of power failure in order to prevent accident resulting of breakage of electrical components.

PRECAUTIONS TO BE TAKEN IN VARIOUS OPERATION STAGES

Transportation

1. Be sure to lift and move the machine in a safe manner taking the machine weight in consideration. Refer to the text of the instruction manual for the mass of the machine.
2. Be sure to take sufficient safety measures to prevent falling or dropping before lifting or moving the machine in order to protect against accident that can result in personal injury or death.
3. Once the machine has been unpacked, never re-pack it for transportation to protect the machine against breakage resulting from unexpected accident or dropping.

Unpacking

1. Be sure to unpack the machine in the prescribed order in order to prevent accident that can result in personal injury or death. In the case the machine is crated, in particular, be sure to carefully check nails. The nails have to be removed.
2. Be sure to check the machine for the position of its center of gravity and take it out from the package carefully in order to prevent accident that can result in personal injury or death.

Installation

(I) Table and table stand

1. Be sure to use JUKI genuine table and table stand in order to prevent accident that can result in personal injury or death. If it is inevitable to use a table and table stand which are not JUKI genuine ones, select the table and table stand which are able to support the machine weight and reaction force during operation.
2. If casters are fitted to the table stand, be sure to use the casters with a locking mechanism and lock them to secure the machine during the operation, maintenance, inspection and repair in order to prevent accident that can result in personal injury or death.

(II) Cable and wiring

1. Be sure to prevent an extra force from being applied to the cable during the use in order to prevent electrical-shock, earth-leakage or fire accident. In addition, if it is necessary to cable near the operating section such as the V-belt, be sure to provide a space of 30 mm or more between the operating section and the cable.
2. Be sure to avoid starburst connection in order to prevent electrical-shock, earth-leakage or fire accident.
3. Be sure to securely connect the connectors in order to prevent electrical-shock, earth-leakage or fire accident. In addition, be sure to remove the connector while holding its connector section.

(III) Grounding

1. Be sure to have an electrical expert install an appropriate power plug in order to prevent accident caused by earth-leakage or dielectric strength voltage fault. In addition, be sure to connect the power plug to the grounded outlet without exceptions.
2. Be sure to ground the earth cable in order to prevent accident caused by earth leakage.

(IV) Motor

1. Be sure to use the specified rated motor (JUKI genuine product) in order to prevent accident caused by burnout.
2. If a commercially available clutch motor is used with the machine, be sure to select one with an entanglement preventive pulley cover in order to protect against being entangled by the V-belt.

Before operation

1. Be sure to make sure that the connectors and cables are free from damage, dropout and looseness before turning the power on in order to prevent accident resulting in personal injury or death.
2. Never put your hand into the moving sections of the machine in order to prevent accident that can result in personal injury or death.
In addition, check to be sure that the direction of rotation of the pulley agrees with the arrow shown on pulley.
3. If the table stand with casters is used, be sure to secure the table stand by locking the casters or with adjusters, if provided, in order to protect against accident caused by abrupt start of the machine.

During operation

1. Be sure not to put your fingers, hair or clothing close to the moving sections such as the handwheel, hand pulley and motor or place something near those sections while the machine is in operation in order to prevent accident caused by entanglement that can result in personal injury or death.
2. Be sure not to place your fingers near the surround area of the needle or inside the thread take-up lever cover when turning the power on or while the machine is in operation in order to prevent accident that can result in personal injury or death.
3. The machine runs at a high speed. Never bring your hands near the moving sections such as looper, spreader, needle bar, hook and cloth trimming knife during operation in order to protect your hands against injury. In addition, be sure to turn the power off and check to be sure that the machine completely stops before changing the thread.
4. Be careful not to allow your fingers or any other parts of your body to be caught between the machine and table when removing the machine from or replacing it on the table in order to prevent accident that can result in personal injury or death.

5. Be sure to turn the power off and check to be sure that the machine and motor completely stop before removing the belt cover and V-belt in order to prevent accident caused by abrupt start of the machine or motor.
6. If a servomotor is used with the machine, the motor does not produce noise while the machine is at rest. Be sure not to forget to turn the power off in order to prevent accident caused by abrupt start of the motor.
7. Never use the machine with the cooling opening of the motor power box shielded in order to prevent fire accident by overheat.

Lubrication

1. Be sure to use JUKI genuine oil and JUKI genuine grease to the parts to be lubricated.
2. If the oil adheres on your eye or body, be sure to immediately wash it off in order to prevent inflammation or irritation.
3. If the oil is swallowed unintentionally, be sure to immediately consult a medical doctor in order to prevent diarrhea or vomiting.

Maintenance

1. In prevention of accident caused by unfamiliarity with the machine, repair and adjustment has to be carried out by a service technician who is thoroughly familiar with the machine within the scope defined in the instruction manual. Be sure to use JUKI genuine parts when replacing any of the machine parts. JUKI assumes no responsibility for any accident caused by improper repair or adjustment or the use of any part other than JUKI genuine one.
2. In prevention of accident caused by unfamiliarity with the machine or electrical-shock accident, be sure to ask an electrical technician of your company or JUKI or distributor in your area for repair and maintenance (including wiring) of electrical components.
3. When carrying out repair or maintenance of the machine which uses air-driven parts such as an air cylinder, be sure to remove the air supply pipe to expel air remaining in the machine beforehand, in order to prevent accident caused by abrupt start of the air-driven parts.
4. Be sure to check that screws and nuts are free from looseness after completion of repair, adjustment and part replacement.
5. Be sure to periodically clean up the machine during its duration of use. Be sure to turn the power off and verify that the machine and motor stop completely before cleaning the machine in order to prevent accident caused by abrupt start of the machine or motor.
6. Be sure to turn the power off and verify that the machine and motor stop completely before carrying out maintenance, inspection or repair of the machine. (For the machine with a clutch motor, the motor will keep running for a while by inertia even after turning the power off. So, be careful.)
7. If the machine cannot be normally operated after repair or adjustment, immediately stop operation and contact JUKI or the distributor in your area for repair in order to prevent accident that can result in personal injury or death.
8. If the fuse has blown, be sure to turn the power off and eliminate the cause of blowing of the fuse and replace the blown fuse with a new one in order to prevent accident that can result in personal injury or death.
9. Be sure to periodically clean up the air vent of the fan and inspect the area around the wiring in order to prevent fire accident of the motor.

Operating environment

1. Be sure to use the machine under the environment which is not affected by strong noise source (electromagnetic waves) such as a high-frequency welder in order to prevent accident caused by malfunction of the machine.
2. Never operate the machine in any place where the voltage fluctuates by more than "rated voltage $\pm 10\%$ " in order to prevent accident caused by malfunction of the machine.
3. Be sure to verify that the air-driven device such as an air cylinder operates at the specified air pressure before using it in order to prevent accident caused by malfunction of the machine.
4. To use the machine with safety, be sure to use it under the environment which satisfies the following conditions:

Ambient temperature during operation	5°C to 35°C
Relative humidity during operation	35 % to 85 %
5. Dew condensation can occur if bringing the machine suddenly from a cold environment to a warm one. So, be sure to turn the power on after having waited for a sufficient period of time until there is no sign of water droplet in order to prevent accident caused by breakage or malfunction of the electrical components.
6. Be sure to stop operation when lightning flashes for the sake of safety and remove the power plug in order to prevent accident caused by breakage or malfunction of the electrical components.
7. Depending on the radio wave signal condition, the machine may generate noise in the TV or radio. If this occurs, use the TV or radio with kept well away from the machine.
8. In order to ensure the work environment, local laws and regulations in the country where the sewing machine is installed shall be followed.
In the case the noise control is necessary, an ear protector or other protective gear should be worn according to the applicable laws and regulations.
9. Disposal of products and packages and treatment of used lubricating oil should be carried out properly according to the relevant laws of the country in which the sewing machine is used.

Precautions to be taken so as to use the DDL-5550N Series more safely



1. Don't put your hand under the cloth cutting knife and the needle when you turn "on" the power switch or operate the machine.
2. Don't put your hand into the thread take-up cover while the machine is running.
3. Turn OFF the power switch before tilting the machine head or removing the belt cover and the V belt.
4. Never bring your fingers, hair or clothing close to, or place anything on the handwheel, V-belt, bobbin winder wheel or motor during operation.
5. If your machine is provided with a belt cover, finger guard and safety plate, never operate your machine with any of them removed.
6. When tilting the machine head, exercise care not to allow your fingers etc. to be caught under the machine head.
7. When using clutch motors without applying brake, it has to be waited until the motor stopped totally.



8. To ensure safety, never operate the machine with the ground wire for the power supply removed.
9. Before inserting/removing the power plug, the power switch has to be turned OFF in advance.
10. In time of thunder and lightening, stop your work and disconnect the power plug from the receptacle so as to ensure safety.
11. If the machine is suddenly moved from a cold place to a warm place, dew condensation may be observed. In this case, turn ON the power to the machine after you have confirmed that there is no danger of water drops in the machine.
12. Be careful of handling this product so as not to pour water or oil, shock by dropping, and the like since this product is a precision instrument.



CAUTION

In addition, be aware that the safety devices such as the "eye protection cover" and "finger guard" are sometimes omitted in the sketches, illustrations and figures included in the Instruction Manual for the explanation's sake. In the practical use, never remove those safety devices.

DECLARATION OF INCORPORATION OF PARTLY COMPLETED MACHINERY

We hereby declare that the sewing machine (sewing head) described below ;

1. Must not be put into service until the machinery to which it is incorporated has been declared in conformity with the provisions of the Directive 2006/42/EC, and
2. Conforms to the essential requirements of the Directive 2006/42/EC, described in the technical documentation, and
3. To be prepared with the above technical documentation compiled in accordance with part B of Annex VII, and
4. Relevant information on which should be transmitted in response to a reasoned request by the national authorities, by the electronic method or other according to the request.

Model	DDL-5550N
Serial No	
Description	Industrial Sewing Machine
Function	make stitches and sew





Applied harmonized standards, in particular :
EN ISO12100-1, EN ISO12100-2, EN ISO10821

Manufacturer :
JUKI CORPORATION
2-11-1, Tsurumaki, Tama-shi, Tokyo, Japan

ZUR GEWÄHRLEISTUNG DES SICHEREN GEBRAUCHS IHRER NÄHMASCHINE






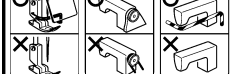
Für eine Nähmaschine, automatische Maschine und Zusatzvorrichtungen (im Folgenden kollektiv als "Maschine" bezeichnet), ist es unerlässlich, die Näharbeit in der Nähe von beweglichen Teilen der Maschine durchzuführen. Dies bedeutet, dass stets die Möglichkeit besteht, versehentlich mit den beweglichen Teilen in Berührung zu kommen. Daher empfehlen wir dem Bedienungs- und Wartungspersonal, das sich mit der Bedienung, Wartung und Reparatur der Maschine befasst, dringend, vor der Benutzung/Wartung der Maschine die folgenden **SICHERHEITSHINWEISE** aufmerksam zu lesen und voll zu verstehen. Der Inhalt der **SICHERHEITSHINWEISE** schließt Punkte ein, die nicht in den technischen Daten Ihres Produkts enthalten sind. Die Gefahrenbezeichnungen sind in die folgenden drei Kategorien eingeteilt, um die Bedeutung der Aufkleber zu verstehen. Machen Sie sich unbedingt mit der folgenden Beschreibung vertraut, und halten Sie sich genau an die Anweisungen.


(I) Erläuterung der Gefahrenstufen

	GEFAHR : Dieser Hinweis wird gegeben, wenn unmittelbare Lebens- oder Verletzungsgefahr besteht, falls die verantwortliche Person oder Dritte die Maschine falsch behandeln oder gefährliche Situationen während des Betriebs oder der Wartung der Maschine nicht vermeiden.
	WARNUNG : Dieser Hinweis wird gegeben, wenn die Möglichkeit für Lebens- oder Verletzungsgefahr besteht, falls die verantwortliche Person oder Dritte die Maschine falsch behandeln oder gefährliche Situationen während des Betriebs oder der Wartung der Maschine nicht vermeiden.
	VORSICHT : Dieser Hinweis wird gegeben, wenn die Gefahr mittelschwerer oder leichter Verletzungen besteht, falls die verantwortliche Person oder Dritte die Maschine falsch behandeln oder gefährliche Situationen während des Betriebs oder der Wartung der Maschine nicht vermeiden.
	Besonders zu beachtende Punkte.

(II) Erläuterung der Bildwarnhinweise und Warntafel

Bildwarnhinweis		Bei Berührung eines beweglichen Teils besteht Verletzungsgefahr.	Bildwarnhinweis		Beachten Sie, dass Sie Ihre Hände verletzen können, wenn Sie die Nähmaschine während des Betriebs halten.
		Bei Berührung eines Hochspannungsteils besteht Stromschlaggefahr.			Es besteht die Gefahr, vom Riemen erfasst zu werden, was zu Verletzungen führen kann.
		Bei Berührung eines heißen Teils besteht Verbrennungsgefahr.			Bei Berührung des Knopfträgers besteht Verletzungsgefahr.
		Beachten Sie, dass durch direktes Anblicken des Laserstrahls Augenschäden verursacht werden können.	Hinweisaufkleber		Die korrekte Richtung wird angegeben.
		Es besteht die Gefahr einer Berührung zwischen Ihrem Kopf und der Nähmaschine.			Der Anschluss eines Erdungskabels wird angegeben.

Warnaufkleber			Warnaufkleber		Warnaufkleber
					
<p>① • Es besteht die Möglichkeit, dass leichte bis schwere Verletzungen oder Tod verursacht werden. • Es besteht die Möglichkeit, dass Verletzungen durch Berührung beweglicher Teile verursacht werden.</p> <p>② • Durchführung von Näharbeiten mit Schutzplatte. • Durchführung von Näharbeiten mit Schutzabdeckung. • Durchführung von Näharbeiten mit Schutzvorrichtung.</p> <p>③ • Schalten Sie unbedingt die Stromversorgung aus, bevor Sie „Einfädeln des Maschinenkopfs“, „Nadelwechsel“, „Spulenwechsel“ oder „Ölen und Reinigen“ ausführen.</p>					

Stromschlag-Warntafel		危険 高電圧部分に触れて、大けがをすることがある。 電源を切って、5分以上たってからカバーをはずすこと。	DANGER Hazardous voltage will cause injury. Turn off main switch and unplug power cord and wait at least 5 minutes before opening this cover.

SICHERHEITSHINWEISE

Ein Unfall bedeutet "die Verursachung von Verletzungen oder Tod oder Sachschäden".



GEFAHR

1. Sollte es notwendig sein, den Schaltkasten mit Elektroteilen zu öffnen, schalten Sie unbedingt die Stromversorgung aus, und warten Sie fünf Minuten oder länger, bevor Sie die Abdeckung öffnen, um einen Unfall zu verhüten, der zu einem Stromschlag führt.



VORSICHT

Grundsätzliche Vorsichtsmaßnahmention

1. Lesen Sie vor der Benutzung der Maschine unbedingt die Bedienungsanleitung und andere erläuternde Dokumente durch, die mit dem Zubehör der Maschine geliefert werden. Bewahren Sie die Bedienungsanleitung und die erläuternden Dokumente für schnelles Nachschlagen griffbereit auf.
2. Der Inhalt dieses Abschnitts schließt Punkte ein, die nicht in den technischen Daten Ihres Produkts enthalten sind.
3. Tragen Sie unbedingt eine Schutzbrille, um sich vor Unfällen zu schützen, die durch Nadelbruch verursacht werden.
4. Personen, die einen Herzschrittmacher benutzen, sollten vor der Benutzung der Maschine einen Facharzt konsultieren.

Sicherheitsvorrichtungen und Warnaufklebe

1. Betreiben Sie die Maschine erst, nachdem Sie sich vergewissert haben, dass die Sicherheitsvorrichtungen korrekt installiert sind und normal funktionieren, um durch Fehlen der Vorrichtungen verursachte Unfälle zu verhüten.
2. Wird eine der Sicherheitsvorrichtungen entfernt, achten Sie darauf, dass sie ersetzt wird und normal funktioniert, um Unfälle zu verhüten, die zu Verletzungen oder Tod führen können.
3. Sorgen Sie dafür, dass die an der Maschine angebrachten Warnaufkleber deutlich sichtbar sind, um Unfälle zu verhüten, die zu Verletzungen oder Tod führen können. Falls einer der Aufkleber verschmutzt ist oder sich gelöst hat, ersetzen Sie ihn unbedingt durch einen neuen.

Anwendung und Modifizierung

1. Benutzen Sie die Maschine niemals für andere Anwendungen als die vorgesehene und auf irgendeine Weise, die von der Beschreibung in dieser Anleitung abweicht, um Unfälle zu verhüten, die zu Verletzungen und Tod führen können. JUKI übernimmt keine Verantwortung für Schäden, Verletzungen oder Todesfälle, die durch zweckentfremdeten Gebrauch der Maschine entstehen.
2. Unterlassen Sie jegliche Modifikationen und Abänderungen der Maschine, um Unfälle zu verhüten, die zu Verletzungen oder Tod führen können. JUKI übernimmt keine Verantwortung für Schäden, Verletzungen oder Todesfälle, die auf den Gebrauch einer modifizierten oder abgeänderten Maschine zurückzuführen sind.

Ausbildung und Schulung

1. Um Unfälle zu verhüten, die aus Unvertrautheit mit der Maschine resultieren, darf die Maschine nur von Personen benutzt werden, die vom Arbeitgeber hinsichtlich des Maschinenbetriebs und der sicheren Bedienung der Maschine geschult/ausgebildet wurden, um entsprechendes Fachwissen und Bedienungsfertigkeiten zu erwerben. Um dies zu gewährleisten, muss der Arbeitgeber einen Ausbildungs-/Schulungsplan für das Bedienungspersonal aufstellen und dieses vorher ausbilden/schulen.

Vorgänge, für die die Stromversorgung der Maschine ausgeschaltet werden muss

Ausschalten der Stromversorgung: Ausschalten des Netzschalters, dann Abziehen des Netzsteckers von der Steckdose. Dies gilt für Folgendes.

1. Schalten Sie sofort die Stromversorgung aus, falls Sie irgendeine Unregelmäßigkeit oder Störung feststellen, oder bei einem Stromausfall, um Unfälle zu verhüten, die zu Verletzungen oder Tod führen können.
2. Um Unfälle zu verhüten, die durch plötzliches Anlaufen der Maschine entstehen, führen Sie nach dem Ausschalten der Stromversorgung die folgenden Vorgänge aus. Führen Sie besonders für Maschinen mit eingebautem Kupplungsmotor nach dem Ausschalten der Stromversorgung die folgenden Vorgänge aus, und vergewissern Sie sich, dass die Maschine vollkommen stillsteht.
 - 2-1. Zum Beispiel Einfädeln von Teilen, wie Nadel, Greifer, Spreizer usw., die eingefädelt werden müssen, oder Wechseln der Spule.
 - 2-2. Zum Beispiel Austauschen oder Einstellen aller Komponenten der Maschine.
 - 2-3. Zum Beispiel bei Überprüfung, Reparatur oder Reinigung der Maschine, oder bei Verlassen der Maschine.
3. Halten Sie beim Abziehen des Netzstecker den Stecker, nicht das Kabel, um Stromschlag, Kriechstrom oder Brand zu verhüten.
4. Schalten Sie unbedingt die Stromversorgung aus, wann immer Sie die Maschine zwischen Arbeiten unbeaufsichtigt lassen.
5. Schalten Sie bei einem Stromausfall unbedingt die Stromversorgung aus, um Unfälle zu verhüten, die durch Beschädigung von Elektrokomponenten entstehen.

IN VERSCHIEDENEN BETRIEBSPHASEN ZU TREFFENDE VORKEHRUNGEN

Transport

1. Heben und transportieren Sie die Maschine auf sichere Weise, wobei Sie das Maschinengewicht berücksichtigen. Angaben zum Gewicht der Maschine finden Sie im Text der Bedienungsanleitung.
2. Treffen Sie ausreichende Sicherheitsmaßnahmen, um Herunterfallen oder Umkippen der Maschine zu verhüten, bevor Sie die Maschine anheben oder transportieren, um Unfälle zu verhüten, die zu Verletzungen oder Tod führen können.
3. Nachdem die Maschine ausgepackt worden ist, darf sie für den Transport keinesfalls wieder verpackt werden, um sie vor Beschädigung durch unvorhersehbaren Unfall oder Fallenlassen zu schützen.

Auspacken

1. Packen Sie die Maschine in der vorgeschriebenen Reihenfolge aus, um Unfälle zu verhüten, die zu Verletzungen oder Tod führen können. Achten Sie besonders bei Maschinen, die in Kisten geliefert werden, auf Nägel. Die Nägel müssen vorher entfernt werden.
2. Überprüfen Sie die Maschine auf ihren Schwerpunkt hin, und nehmen Sie sie vorsichtig aus der Verpackung, um Unfälle zu verhüten, die zu Verletzungen oder Tod führen können.

Installation

(I) Tisch und Tischständer

1. Verwenden Sie den Original-JUKI-Tisch und -Tischständer, um Unfälle zu verhüten, die zu Verletzungen oder Tod führen können. Lässt sich die Verwendung eines markenfremden Tisches und Tischständers nicht vermeiden, wählen Sie einen Tisch und Tischständer aus, die in der Lage sind, dem Maschinengewicht und der Reaktionskraft während des Betriebs standzuhalten.
2. Sind Laufrollen für den Tischständer notwendig, benutzen Sie Laufrollen mit Sperrmechanismus, und verriegeln Sie diese, damit die Maschine während Betrieb, Wartung, Überprüfung und Reparatur gesichert ist, um Unfälle zu verhüten, die zu Verletzungen oder Tod führen können.

(II) Kabel und Verdrahtung

1. Vermeiden Sie übermäßige Belastung des Kabels während der Benutzung, um Stromschlag, Kriechstrom oder Brand zu verhüten. Ist es außerdem notwendig, das Kabel in der Nähe des Betriebsabschnitts, wie z. B. dem Keilriemen, zu verlegen, halten Sie einen Abstand von mindestens 30 mm zwischen dem Betriebsabschnitt und dem Kabel ein.
2. Vermeiden Sie Mehrfachanschlüsse, um Stromschlag, Kriechstrom oder Brand zu verhüten.
3. Schließen Sie die Stecker einwandfrei an, um Stromschlag, Kriechstrom oder Brand zu verhüten. Halten Sie außerdem beim Abziehen des Kabels nur den Stecker.

(III) Erdung

1. Lassen Sie einen geeigneten Netzstecker von einem Elektriker installieren, um durch Kriechstrom oder Durchschlag verursachte Unfälle zu verhüten. Schließen Sie außerdem den Netzstecker nur an eine geerdete Steckdose an.
2. Erden Sie das Erdungskabel korrekt, um durch Kriechstrom verursachte Unfälle zu verhüten.

(IV) Motor

1. Verwenden Sie einen Motor mit der vorgeschriebenen Nennbelastung (Original-JUKI-Produkt), um durch Überlastung verursachte Unfälle zu verhüten.
2. Wird ein handelsüblicher Kupplungsmotor mit der Maschine verwendet, wählen Sie einen mit Riemenscheiben-Schutzabdeckung aus, um Hängenbleiben am Keilriemen zu verhüten.

Vor dem Betrieb

1. Vergewissern Sie sich, dass die Stecker und Kabel frei von Beschädigung, Störungen und Lockerheit sind, bevor Sie die Stromversorgung einschalten, um Unfälle zu verhüten, die zu Verletzungen oder Tod führen können.
2. Halten Sie niemals Ihre Hand in die beweglichen Abschnitte der Maschine, um Unfälle zu verhüten, die zu Verletzungen oder Tod führen können. Stellen Sie außerdem sicher, dass die Drehrichtung der Riemenscheibe mit dem Pfeil auf der Riemenscheibe übereinstimmt.
3. Wird ein Tischständer mit Laufrollen verwendet, sichern Sie den Tischständer durch Verriegeln der Laufrollen oder mit Einstellern, falls vorhanden, um durch plötzliches Anlaufen der Maschine verursachte Unfälle zu verhüten.

Während des Betriebs

1. Bringen Sie während des Betriebs der Maschine nicht Ihre Finger, Haare oder Kleidung in die Nähe von beweglichen Teilen, wie z. B. Handrad, Riemenscheibe und Motor, und legen Sie auch keine Gegenstände in der Nähe dieser Teile ab, um Unfälle durch Hängenbleiben zu verhüten, die zu Verletzungen oder Tod führen können.
2. Halten Sie Ihre Finger beim Einschalten der Stromversorgung oder während des Betriebs der Maschine nicht in die Umgebung der Nadel oder in die Fadenhebelabdeckung, um Unfälle zu verhüten, die zu Verletzungen oder Tod führen können.
3. Die Maschine läuft mit hoher Drehzahl. Halten Sie während des Betriebs niemals Ihre Hände in die Nähe von beweglichen Teilen, wie Schleifenfänger, Spreizer, Nadelstange, Greifer und Stoffmesser, um Ihre Hände vor Verletzungen zu schützen. Schalten Sie außerdem die Stromversorgung aus, und vergewissern Sie sich, dass die Maschine vollkommen stillsteht, bevor Sie den Faden wechseln.
4. Achten Sie darauf, dass Ihre Finger oder andere Körperteile nicht zwischen Maschine und Tisch eingeklemmt werden, wenn Sie die Maschine vom Tisch entfernen oder darauf stellen, um Unfälle zu verhüten, die zu Verletzungen oder Tod führen können.
5. Schalten Sie die Stromversorgung aus, und vergewissern Sie sich, dass Maschine und Motor vollkommen stillstehen, bevor Sie Riemenabdeckung und Keilriemen entfernen, um durch plötzliches Anlaufen von Maschine oder Motor verursachte Unfälle zu verhüten.

6. Wird ein Servomotor mit der Maschine verwendet, erzeugt der Motor bei Stillstand der Maschine kein Geräusch. Vergessen Sie nicht, die Stromversorgung auszuschalten, um durch plötzliches Anlaufen des Motors verursachte Unfälle zu verhüten.
7. Benutzen Sie die Maschine niemals mit blockierter Kühlungsöffnung des Motorschaltkastens, um einen Brand durch Überhitzung zu verhüten.

Schmierung

1. Verwenden Sie unbedingt Original-JUKI-Öl und -Fett auf den zu schmierenden Teilen.
2. Falls Öl in Ihre Augen oder auf Ihren Körper gelangt, waschen Sie es sofort ab, um Entzündung oder Hautreizung zu verhüten.
3. Wird das Öl versehentlich verschluckt, konsultieren Sie sofort einen Arzt, um Durchfall oder Erbrechen zu verhüten.

Wartung



1. Um einen durch Unvertrautheit mit der Maschine verursachten Unfall zu verhüten, müssen Reparaturen und Einstellungen von einem Wartungstechniker ausgeführt werden, der innerhalb des in der Bedienungsanleitung beschriebenen Rahmens mit der Maschine gründlich vertraut ist. Verwenden Sie unbedingt Original-JUKI-Teile als Ersatzteile der Maschine. JUKI übernimmt keine Verantwortung für Unfälle, die auf unsachgemäße Reparatur oder Einstellung oder den Gebrauch markenfremder Teile zurückzuführen sind.
2. Um durch Unvertrautheit mit der Maschine oder Stromschlag verursachte Unfälle zu verhüten, überlassen Sie Reparatur- und Wartungsarbeiten von Elektrokomponenten (einschließlich Verkabelung) einem Elektriker Ihrer Firma oder von JUKI oder Ihrem Händler.
3. Sind Reparatur- oder Wartungsarbeiten an einer Maschine notwendig, die luftgetriebene Teile, wie z. B. einen Luftzylinder, verwendet, entfernen Sie unbedingt die Luftversorgungsleitung, um vorher die in der Maschine verbleibende Restluft abzulassen, um durch plötzliches Anlaufen der luftgetriebenen Teile verursachte Unfälle zu verhüten.
4. Vergewissern Sie sich nach einer Reparatur, einer Einstellung und einem Teilewechsel, dass die Schrauben und Muttern fest sitzen.
5. Unterziehen Sie die Maschine während ihrer Benutzungsdauer einer regelmäßigen Reinigung. Schalten Sie unbedingt die Stromversorgung aus, und vergewissern Sie sich, dass Maschine und Motor vollkommen stillstehen, bevor Sie die Maschine reinigen, um durch plötzliches Anlaufen von Maschine oder Motor verursachte Unfälle zu verhüten.
6. Schalten Sie unbedingt die Stromversorgung aus, und vergewissern Sie sich, dass Maschine und Motor vollkommen stillstehen, bevor Sie Wartungs-, Inspektions- oder Reparaturarbeiten an der Maschine ausführen. (Bei Maschinen mit Kupplungsmotor läuft der Motor auch nach dem Ausschalten aufgrund der Trägheit noch eine Weile weiter. Lassen Sie daher Sorgfalt walten.)
7. Falls die Maschine nach einer Reparatur oder Einstellung nicht normal betrieben werden kann, halten Sie sofort den Betrieb an, und kontaktieren Sie JUKI oder Ihren Händler bezüglich einer Reparatur, um Unfälle zu verhüten, die zu Verletzungen oder Tod führen können.
8. Falls die Sicherung durchgebrannt ist, schalten Sie die Stromversorgung aus, und beseitigen Sie die Ursache für das Durchbrennen der Sicherung. Ersetzen Sie dann die Sicherung durch eine neue, um Unfälle zu verhüten, die zu Verletzungen oder Tod führen können.
9. Reinigen Sie die Entlüftungsöffnung des Lüfters regelmäßig, und überprüfen Sie den Bereich um die Verkabelung, um einen Brand des Motors zu verhüten.

Betriebsumgebung

1. Benutzen Sie die Maschine in einer Umgebung, die nicht von starken Störquellen (elektromagnetischen Wellen), wie z. B. Hochfrequenzschweißer, beeinflusst ist, um durch eine Funktionsstörung der Maschine verursachte Unfälle zu verhüten.
2. Betreiben Sie die Maschine niemals an einem Ort, wo die Spannung um mehr als "Nennspannung $\pm 10\%$ " schwankt, um durch eine Funktionsstörung der Maschine verursachte Unfälle zu verhüten.
3. Prüfen Sie unbedingt, ob eine luftgetriebene Vorrichtung, wie z. B. ein Luftzylinder, mit dem vorgeschriebenen Luftdruck arbeitet, bevor Sie diese benutzen, um durch eine Funktionsstörung der Maschine verursachte Unfälle zu verhüten.
4. Um die Sicherheit der Maschine zu gewährleisten, betreiben Sie sie in einer Umgebung, welche die folgenden Bedingungen erfüllt:

Umgebungstemperatur während des Betriebs	5°C bis 35°C
Relative Luftfeuchtigkeit während des Betriebs	35 % bis 85 %
5. Taukondensation kann auftreten, wenn die Maschine plötzlich von einem kalten zu einem warmen Ort gebracht wird. Schalten Sie daher die Stromversorgung erst ein, nachdem Sie ausreichend lange gewartet haben, bis keine Anzeichen von Wassertropfen mehr vorhanden sind, um durch Beschädigung oder Funktionsstörung der elektrischen Komponenten verursachte Unfälle zu verhüten.
6. Halten Sie die Maschine bei einem Gewitter aus Sicherheitsgründen an, und ziehen Sie den Netzstecker ab, um durch Beschädigung oder Funktionsstörung der elektrischen Komponenten verursachte Unfälle zu verhüten.
7. Abhängig von den Funkwellen-Signalbedingungen kann die Maschine Störungen in Fernsehgeräten oder Radios erzeugen. Sollte dies eintreten, benutzen Sie das Fernsehgerät oder Radio in ausreichendem Abstand von der Maschine.
8. Um die Sicherheit am Arbeitsplatz zu gewährleisten, müssen die örtlichen Gesetze und Vorschriften des Landes, in dem die Nähmaschine installiert ist, befolgt werden.
 Falls Lärmschutz notwendig ist, sollten Gehörschützer oder andere Schutzeinrichtungen entsprechend den geltenden Gesetzen und Vorschriften getragen werden.
9. Die Entsorgung von Produkten und Verpackungen sowie die Aufbereitung von verbrauchtem Schmieröl sind gemäß den relevanten Gesetzen des Landes, in dem die Nähmaschine benutzt wird, auszuführen.

Für sicherere Benutzung der DDL-5550N-Modellreihe zu treffende Vorsichtsmaßnahmen

	<ol style="list-style-type: none">1. Fasse Sie nicht unter das Stoffschneidemesser und die Nadel, wenn Sie den Netzschalter einschalten ("on") oder die Maschine betreiben.2. Fassen Sie nicht mit der Hand in die Fadenhebelabdeckung, während die Maschine läuft.3. Schalten Sie den Netzschalter aus (OFF), bevor Sie den Maschinekopf kippen oder die Riemenabdeckung und den Keilriemen entfernen.4. Achten Sie während de Betriebs darauf, daß Sie nicht mit Ihren Fingern, Haaren oder Kleidungsstücken in die Nähe von Handrad, Keilriemen, Spulerrad oder Motor kommen. Das Ablegen von Gegenständen auf diese Teile ist ebenfalls gefährlich und kann zu schweren Verletzungen führen.5. Falls Ihre Maschine mit einer Riemenabdeckung, Fingerschutz und Sicherheitsplatte ausgestattet ist, betreiben Sie Ihre Maschine niemals, wenn auch nur eines dieser Teile entfernt ist.6. Achten Sie beim Kippen des Maschinenkopfes darauf, daß Sie sich nicht die Finger oder andere Körperteile unter dem Maschinekopf klemmen.
	<ol style="list-style-type: none">8. Betreiben Sie die Maschine aus Sicherheitsgründen niemals ohne den Erdleiter für die Stromversorgung.9. Vor dem Anschließen/Trennen des Netzsteckers muß der Netzschalter ausgeschaltet werden (OFF).10. Unterbrechen Sie Ihre Arbeit bei Gewitter, und trennen Sie den Netzstecker von der Steckdose, um Sicherheit zu gewährleisten.11. Wenn die Maschine plötzlich von einem kalten an einen warmen Ort transportiert wird, kann sich Kondenswasser bilden. Schalten Sie in diesem Fall die Maschine erst ein, nachdem Sie sich vergewissert haben, daß keine Gefahr von Wassertropfen in der Maschine besteht.12. Behandeln Sie dieses Produkt mit Sorgfalt, um kein Wasser oder Öl darauf zu verschütten oder es durch Fallenlassen zu erschüttern usw., da es sich um ein Präzisionsinstrument handelt.



Vorsicht

Beachten Sie außerdem, dass Sicherheitsvorrichtungen wie „Augenschutzabdeckung“ und „Fingerschutz“ in Zeichnungen, Illustrationen und Abbildungen der Bedienungsanleitung der Einfachheit halber manchmal ausgelassen werden. Im praktischen Gebrauch dürfen diese Sicherheitsvorrichtungen jedoch keinesfalls entfernt werden.

POUR ASSURER L'UTILISATION EN TOUTE SÉCURITÉ DE VOTRE MACHINE À COUDRE

Il est inévitable que des travaux soient exécutés à proximité de pièces mobiles de la machine à coudre, de la machine automatique ou des dispositifs annexes (désignés par la suite sous le terme collectif de "machine". Cela signifie qu'il existe toujours un risque d'entrer fortuitement en contact avec une pièce mobile. Il est vivement conseillé aux opérateurs chargés d'exploiter la machine dans la pratique ainsi qu'au personnel de maintenance et de réparation de la machine de lire attentivement les **PRÉCAUTIONS DE SÉCURITÉ** indiquées ci-après et de les assimiler pleinement avant d'exploiter la machine ou d'exécuter des travaux de maintenance sur celle-ci. Les **PRÉCAUTIONS DE SÉCURITÉ** couvrent des aspects qui ne figurent pas dans les caractéristiques techniques de votre machine. Afin de faciliter la compréhension du sens des étiquettes, les risques indiqués ont été classés sous les trois catégories différentes suivantes. Veiller à comprendre pleinement les descriptions qui suivent et à respecter impérativement les consignes.

(I) Explication des niveaux de risque

	DANGER : Cette mention signale un danger immédiat de mort ou de blessure grave dans le cas où la personne responsable ou un tiers n'exploite pas correctement la machine ou n'évite pas une situation dangereuse lors de son utilisation ou de sa maintenance.
	AVERTISSEMENT : Cette mention signale un risque pouvant éventuellement causer la mort ou une blessure grave si la personne responsable ou un tiers n'exploite pas correctement la machine ou n'évite pas une situation dangereuse lors de son utilisation ou de sa maintenance.
	ATTENTION : Cette mention signale un risque de blessures plus ou moins graves si la personne responsable ou un tiers n'exploite pas correctement la machine ou n'évite pas une situation dangereuse lors de son utilisation ou de sa maintenance.
	Points demandant une attention particulière.

(II) Explication des pictogrammes et étiquettes d'avertissement

Pictogramme d'avertissement		Il existe un risque de blessure en cas de contact avec une pièce mobile.	Pictogramme d'avertissement		Il faut savoir que tenir la machine à coudre pendant son fonctionnement peut blesser les mains.
		Il existe un risque de décharges électriques en cas de contact avec une pièce sous haute tension.			Il existe un risque de happement par la courroie susceptible de causer une blessure.
		Il existe un risque de brûlures en cas de contact avec une pièce sous haute température.			Il existe un risque de blessure en cas de contact avec le porte-bouton.
		Il faut savoir qu'une défaillance visuelle peut être provoquée en regardant directement le faisceau laser.	Étiquette d'avertissement		Indique le sens correct.
		Il y a un risque de contact entre votre tête et la machine à coudre.			Indique qu'un câble de mise à la terre est connecté.

Étiquette d'avertissement		<p>① • Risque de blessures légères, graves ou mortelles. • Risque de blessures par le contact d'une pièce en mouvement.</p> <p>② • Effectuer l'opération de couture avec un protecteur de sécurité. • Effectuer l'opération de couture avec un couvercle de sécurité. • Effectuer l'opération de couture avec un dispositif protecteur de sécurité.</p> <p>③ • Placer l'interrupteur d'alimentation sur arrêt avant l'"enfilage de la tête de la machine", le "remplacement de l'aiguille", le "remplacement de la canette" ou l'"huilage et nettoyage".</p>	
---------------------------	--	--	--

Étiquette de danger d'électrocution		<p>危険</p> <p>高電圧部分に触れて、大けがをすることがある。 電源を切って、5分以上たってからカバーをはずすこと。</p>	<p>DANGER</p> <p>Hazardous voltage will cause injury. Turn off main switch and unplug power cord and wait at least 5 minutes before opening this cover.</p>
-------------------------------------	--	---	--

PRÉCAUTIONS DE SÉCURITÉ

Accident signifie "causer des blessures corporelles ou la mort, ou des dommages matériels."



DANGER

1. Lorsqu'il est nécessaire d'ouvrir la boîte électrique contenant des pièces électriques, veiller à couper l'alimentation électrique de la machine et à attendre plus de cinq minutes avant d'ouvrir le couvercle afin d'éviter tout accident susceptible de causer des décharges électriques.



VORSICHT

Précautions de base

1. Veiller à lire le mode d'emploi et autres notices explicatives fournis avec les accessoires de la machine avant de l'utiliser. Conserver soigneusement à portée de main le mode d'emploi et les notices explicatives afin de pouvoir les consulter rapidement.
2. La présente section couvre des aspects qui ne figurent pas dans les caractéristiques techniques de votre machine.
3. Veiller à porter des lunettes de sécurité pour se protéger contre tout accident causé par la rupture d'une aiguille.
4. Les personnes équipées d'une pile cardiaque doivent consulter un spécialiste médical avant d'utiliser la machine.

Dispositifs de sécurité et étiquettes d'avertissement

1. Avant d'utiliser la machine, veiller à vérifier que le/les dispositif(s) de sécurité sont correctement installés en place et fonctionnent normalement afin d'éviter tout accident causé par l'absence d'un/des dispositif(s).
2. Si l'un des dispositifs de sécurité est enlevé, veiller à le remplacer et à s'assurer qu'il fonctionne normalement afin d'éviter tout accident susceptible de causer des blessures corporelles ou la mort.
3. Veiller à ce que les étiquettes d'avertissement restent entièrement collées sur la machine et qu'elles soient clairement visibles afin d'éviter tout accident susceptible de causer des blessures corporelles ou la mort. Si une étiquette est souillée ou décollée, veiller à la remplacer par une nouvelle.

Usage prévu et modification

1. Ne jamais utiliser la machine pour toute fin autre que celle pour laquelle elle a été prévue et d'une manière autre que celle prescrite dans le mode d'emploi afin d'éviter tout accident susceptible de causer des blessures corporelles ou la mort. JUKI décline toute responsabilité en cas de dommages, de blessures corporelles ou de décès résultant d'un usage de la machine autre que celui pour lequel il a été prévu.
2. Afin d'éviter tout accident risquant de causer des blessures corporelles ou la mort, ne jamais modifier ou remanier la machine. JUKI décline toute responsabilité en cas de dommages, de blessures corporelles ou de décès résultant du fait que la machine a été modifiée ou remaniée.

Sensibilisation et formation

1. Afin d'éviter tout accident résultant d'une connaissance insuffisante de la machine, celle-ci doit être utilisée uniquement par un opérateur qui a reçu une formation/sensibilisation de la part de l'employeur à l'utilisation de la machine et la manière de l'utiliser en toute sécurité en vue d'acquérir les connaissances et le savoir-faire adéquats. A cette fin, l'employeur doit mettre en place un plan de formation/sensibilisation destiné aux opérateurs afin de les sensibiliser/former au préalable.

Cas où l'alimentation électrique de la machine doit être coupée

Couper l'alimentation électrique de la machine : placer l'interrupteur d'alimentation sur arrêt, puis débrancher la fiche de la prise secteur. Cette procédure s'applique dans les cas suivants.

1. Couper immédiatement l'alimentation électrique si une anomalie ou un dysfonctionnement est détecté, ou dans le cas d'une panne de courant afin d'éviter tout accident susceptible de causer des blessures corporelles ou la mort.
2. Afin d'éviter tout accident causé par le démarrage soudain de la machine, veiller à exécuter les opérations suivantes après avoir coupé l'alimentation électrique. Si la machine est notamment équipée d'un moteur à embrayage, veiller à exécuter les opérations suivantes après avoir coupé l'alimentation électrique et s'être assuré que la machine est complètement arrêtée.
 - 2-1. Par exemple, l'enfilage du fil sur des pièces telles que l'aiguille, le boucleur, l'étendeur, etc. qui doivent être enfilés, ou le remplacement de la canette.
 - 2-2. Par exemple, le remplacement ou réglage d'un composant de la machine.
 - 2-3. Par exemple, lorsque la machine est inspectée, réparée, nettoyée ou laissée sans surveillance.
3. Pour débrancher la machine, veiller à saisir la fiche et non le cordon afin d'éviter toute décharge électrique, fuite à la terre ou incendie.
4. Veiller à couper l'alimentation électrique lorsque la machine est laissée sans surveillance entre des travaux.
5. Veiller à couper l'alimentation électrique en cas de panne de courant afin d'éviter tout accident causé par l'endommagement d'un composant électrique.

PRÉCAUTIONS À PRENDRE AUX DIVERSES ÉTAPES DU FONCTIONNEMENT

Transport

1. Veiller à tenir compte du poids de la machine lorsqu'elle doit être soulevée et prendre toutes les précautions de sécurité nécessaires pour la déplacer. Se reporter au texte du mode d'emploi pour connaître le poids de la machine.
2. Veiller à prendre toutes les mesures de sécurité nécessaires afin d'éviter de renverser ou de laisser tomber la machine lorsqu'elle est soulevée ou déplacée afin d'éviter tout accident susceptible de causer des blessures corporelles ou la mort.
3. Une fois que la machine a été déballée, ne jamais la remballer pour la transporter afin de la protéger contre tout dommage causé par un accident fortuit ou sa chute.

Déballage

1. Veiller à déballer la machine de la manière prescrite afin d'éviter tout accident susceptible de causer des blessures corporelles ou la mort. Au cas notamment où la machine est emballée dans une caisse en bois, veiller à faire attention aux clous. Les clous doivent être retirés.
2. Veiller à vérifier la position du centre de gravité de la machine et à l'extraire avec précaution de son emballage afin d'éviter tout accident susceptible de causer des blessures corporelles ou la mort.

Installation

(I) Table et support de table

1. Veiller à utiliser la table et le support de table de marque JUKI afin d'éviter tout accident susceptible de causer des blessures corporelles ou la mort. S'il est inévitable d'utiliser une table et un support de table autres que ceux de marque JUKI, sélectionner une table et un support de table capables de supporter le poids de la machine et sa force réactive en fonctionnement.
2. Si des roulettes sont installées sur le support de table, veiller à utiliser des roulettes équipées d'un mécanisme de verrouillage et à les verrouiller pour immobiliser la machine durant son fonctionnement, des travaux de maintenance, une inspection ou une réparation afin d'éviter tout accident susceptible de causer une blessure corporelle ou la mort.

(II) Câbles et câblage

1. Veiller à éviter d'exercer toute force excessive durant le fonctionnement afin d'éviter des décharges électriques, une fuite à la terre ou un incendie. En outre, s'il est nécessaire de poser un câble à proximité d'une pièce mobile telle que la courroie en V, veiller à ménager un espace d'au moins 30 mm entre la pièce mobile et le câble.
2. Veiller à éviter une connexion à une multiprise afin d'éviter des décharges électriques, une fuite à la terre ou un incendie.
3. Veiller à brancher à fond les connecteurs afin d'éviter des décharges électriques, une fuite à la terre ou un incendie. En outre, pour débrancher un connecteur, veiller à le tenir par la partie qui sert à connecter.

(III) Mise à la terre

1. Veiller à ce qu'un électricien qualifié installe une prise appropriée afin d'éviter tout accident causé par une fuite à la terre ou un défaut de tension diélectrique. En outre, veiller impérativement à raccorder la fiche à une prise secteur mise à la terre.
2. Veiller à mettre à la terre le câble de terre afin d'éviter tout accident causé par une fuite à la terre.

(IV) Moteur

1. Veiller à utiliser le moteur nominal prescrit (article de marque JUKI) afin d'éviter tout accident causé par un claquage.
2. Si un moteur à embrayage en vente dans le commerce est utilisé avec la machine, veiller à en sélectionner un doté d'un couvre-courroie anti-happement afin d'éviter d'être happé par la courroie en V.

Avant la mise en fonctionnement

1. Avant de mettre la machine sous tension, veiller à vérifier que les connecteurs et câbles ne soient pas endommagés, tombés ou lâches afin d'éviter tout accident susceptible de causer des blessures corporelles ou la mort.
2. Ne jamais introduire la main dans une pièce mobile de la machine afin d'éviter tout accident susceptible de causer des blessures corporelles ou la mort.
En outre, veiller à vérifier que la poulie tourne dans le sens de la flèche indiquée sur la poulie.
3. Si une table à roulettes est utilisée, veiller à l'immobiliser en verrouillant les roulettes ou au moyen d'ajusteurs, le cas échéant, afin d'éviter tout accident causé par le démarrage soudain de la machine.

En fonctionnement

1. Veiller à ce qu'un doigt, la chevelure ou un vêtement proche d'une pièce mobile ne soient pas happés par le volant, la poulie ou le moteur, ou installer quelque chose près de ces pièces lorsque la machine est en fonctionnement afin d'éviter tout accident causé par un happement susceptible de causer des blessures corporelles ou la mort.
2. Veiller à ne pas placer les doigts à la périphérie de l'aiguille ou à l'intérieur du couvercle du levier de relevage lors de la mise sous tension afin d'éviter tout accident susceptible de causer des blessures corporelles ou la mort.
3. La machine fonctionne à vitesse rapide. Pendant le fonctionnement, ne jamais amener votre main à proximité d'une pièce mobile telle que le boucleur, l'étendeur, la barre à aiguille, le crochet ou le coupeur de tissu afin de protéger vos mains contre tout accident. En outre, veiller à couper l'alimentation électrique et vérifier que la machine est complètement arrêtée avant de changer le fil.
4. Veiller à ne pas se coincer les doigts ou toute autre partie du corps entre la machine et la table lorsque la machine est enlevée de la table ou remise sur celle-ci afin d'éviter tout accident susceptible de causer des blessures corporelles ou la mort.

5. Veiller à couper l'alimentation électrique et vérifier que la machine est complètement arrêtée avant d'enlever le couvre-courroie et la courroie en V afin d'éviter tout accident causé par le démarrage soudain de la machine ou du moteur.
6. Si un servomoteur est utilisé avec la machine, le moteur ne fait pas de bruit lorsque la machine est arrêtée. Veiller à ne pas oublier de couper l'alimentation électrique afin d'éviter tout accident causé par le démarrage soudain du moteur.
7. Ne jamais utiliser la machine si l'orifice de refroidissement du générateur du moteur est obstrué afin d'éviter tout incendie causé par une surchauffe.

Lubrification

1. Veiller à utiliser une huile ou une graisse de marque JUKI sur les parties à lubrifier.
2. Si de l'huile se colle sur les yeux ou le corps, veiller à la nettoyer immédiatement pour éviter toute inflammation ou irritation.
3. Si de l'huile est avalée par inadvertance, veiller à consulter immédiatement un médecin afin d'éviter une diarrhée ou des vomissements.

Maintenance

1. Afin d'éviter tout accident causé par une connaissance insuffisante de la machine, les réparations et réglages doivent être exécutés par un technicien de service après-vente qui connaît parfaitement la machine suivant l'étendue définie dans le mode d'emploi. Veiller à utiliser des pièces de marque JUKI pour remplacer toute pièce de la machine. JUKI décline toute responsabilité en cas d'accident dû à une réparation ou un réglage inappropriés ou l'utilisation de toute pièce autre qu'une pièce de marque JUKI.
2. Afin d'éviter tout accident causé par une connaissance insuffisante de la machine ou des décharges électriques, veiller à faire appel à un électricien de votre société, de JUKI ou de son concessionnaire local pour les réparations et la maintenance (y compris le câblage) des composants électriques.
3. Lors de travaux de réparation ou de maintenance sur la machine au moyen de pièces pneumatiques tel que le cylindre pneumatique, veiller au préalable à enlever le tuyau d'alimentation d'air pour expulser l'air restant dans la machine, afin d'éviter tout accident causé par le démarrage soudain d'une pièce pneumatique.
4. Veiller à vérifier que les vis et écrous sont bien resserrés après une réparation, un réglage ou le remplacement d'une pièce.
5. Veiller à nettoyer la machine régulièrement pendant sa durée d'utilisation. Veiller à couper l'alimentation électrique et à vérifier que la machine et le moteur sont complètement arrêtés avant de nettoyer la machine afin d'éviter tout accident causé par le démarrage soudain de la machine ou du moteur.
6. Veiller à couper l'alimentation et à vérifier que la machine et le moteur sont complètement arrêtés avant d'exécuter des travaux de maintenance, une inspection ou une réparation de la machine. (Dans le cas d'un moteur à embrayage, le moteur continue de tourner pendant un moment par inertie même après que l'alimentation a été coupée. Il faut donc être prudent.)
7. Si la machine ne fonctionne pas normalement après une réparation ou un réglage, arrêter immédiatement de l'utiliser et contacter JUKI ou son concessionnaire local pour une réparation afin d'éviter tout accident susceptible de causer des blessures corporelles ou la mort.
8. Si un fusible est grillé, veiller à couper l'alimentation électrique et à remédier à sa cause, puis le remplacer par un neuf afin d'éviter tout accident susceptible de causer des blessures corporelles ou la mort.
9. Veiller à nettoyer périodiquement la bouche d'air du ventilateur et à inspecter la périphérie du câblage afin d'éviter tout accident dû au moteur.

Environnement d'opération

1. Veiller à utiliser la machine dans un environnement qui ne soit pas exposé à une source importante de bruit (ondes électromagnétiques) telles qu'une soudeuse haute fréquence afin d'éviter tout accident causé par un dysfonctionnement de la machine.
2. Ne jamais utiliser la machine dans un lieu où la tension varie dans une plage supérieure à "±10 % de la tension prescrite" afin d'éviter tout accident causé par un dysfonctionnement de la machine.
3. Veiller à vérifier qu'un dispositif pneumatique tel qu'un cylindre pneumatique fonctionne à la pression d'air prescrite avant de l'utiliser afin d'éviter tout accident causé par un dysfonctionnement de la machine.
4. Pour utiliser la machine en toute sécurité, veiller à ce que l'environnement d'utilisation réponde aux conditions suivantes:
 Température ambiante en fonctionnement 5 à 35°C
 Humidité relative en fonctionnement 35 à 85 %
5. De la condensation peut se former si la machine passe soudainement d'un environnement froid à un environnement chaud. Attendre donc un certain temps jusqu'à ce qu'il n'y ait plus de gouttelettes d'eau avant de mettre la machine sous tension afin d'éviter tout accident causé par une panne ou un dysfonctionnement d'un composant électrique.
6. Par souci de sécurité, veiller à arrêter d'utiliser la machine en cas d'orage et à la débrancher de la prise secteur afin d'éviter tout accident causé par une panne ou un dysfonctionnement d'un composant électrique.
7. Selon les conditions du signal de fréquence radio, la machine peut générer du bruit dans le téléviseur ou le poste de radio. Dans ce cas, utiliser le téléviseur ou le poste de radio à une distance éloignée de la machine.
8. Il est vivement recommandé de suivre les lois et réglementations locales du pays où la machine à coudre est installée pour garantir un environnement de travail sûr.
 Pour lutter contre le bruit, un serre-tête antibruit ou d'autres équipements de protection doivent être utilisés conformément aux lois et réglementations en vigueur.
9. La mise au rebut des produits et emballages, ainsi que le traitement de l'huile lubrifiante usagée doivent être réalisés correctement conformément aux lois en vigueur dans le pays dans lequel la machine à coudre est utilisée.

Précautions à prendre pour utiliser la série DDL-5550N de manière plus sûre



1. Éviter de mettre votre main sous le couteau de sectionnement du tissu ou sous l'aiguille lorsque vous branchez la machine (interrupteur d'alimentation en position "ON") ou durant son opération.
2. Ne pas mettre la main derrière le couvercle du releveur de fil pendant le fonctionnement de la machine.
3. Couper l'alimentation de la machine en plaçant l'interrupteur d'alimentation en position "OFF" avant d'incliner la tête de la machine ou de retirer le couvercle de la courroie et la courroie trapézoïdale.
4. Ne jamais approcher les doigts, les cheveux ou les vêtements du volant, de la courroie trapézoïdale, de la roue du bobineur ou du moteur pendant le fonctionnement et ne rien placer sur ces pièces.
5. Si la machine est dotée d'un couvre-courroie, d'un pare-aiguille et d'une plaque de sécurité, ne jamais l'utiliser sans ces protections.
6. Avant de brancher/débrancher le connecteur secteur, placer l'interrupteur d'alimentation en position d'arrêt.
7. Lors de l'utilisation d'un moteur à embrayage sans appliquer le frein, attendre que le moteur soit complètement arrêté.



8. Pour la sécurité, ne jamais utiliser la machine avec le fil de terre de l'alimentation retiré.
9. Avant de brancher/débrancher la fiche secteur, placer l'interrupteur d'alimentation en position d'arrêt.
10. En cas d'orage et de foudre, s'arrêter de travailler et débrancher la fiche secteur à la prise par mesure de sécurité.
11. Si l'on déplace brusquement la machine d'un endroit froid à un endroit chaud, une condensation peut se former. Dans ce cas, ne mettre la machine sous tension qu'après s'être assuré que des gouttes d'eau ne risquent pas de tomber dans la machine.
12. Ce produit étant un instrument de précision, veiller à ne pas l'asperger d'eau ou d'huile et à ne pas le soumettre à des chocs tels que chutes.



Attention





Par ailleurs, il faut savoir que les dispositifs de sécurité comme le « couvercle du protège-yeux » et le « pare-aiguille » sont quelquefois omis dans les schémas, illustrations et figures fournis dans le mode d'emploi pour plus de clarté. Dans la pratique, ne jamais retirer ces dispositifs de sécurité.

PARA GARANTIZAR EL USO SEGURO DE SU MÁQUINA DE COSER







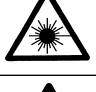



En relación con el uso de la máquina de coser, máquina automática y dispositivos auxiliares (de aquí en adelante denominados colectivamente como la “máquina”), es inevitable que el trabajo de cosido tenga que ejecutarse cerca de partes móviles de la máquina. Esto significa que siempre existe la posibilidad de que se toquen piezas móviles involuntariamente. Por lo tanto, a los operadores u operadoras que manejan la máquina y al personal de mantenimiento que ejecuta trabajos de mantenimiento y reparación de la máquina, se les recomienda leer detenidamente las siguientes **PRECAUCIONES DE SEGURIDAD** y tener un cabal conocimiento de las mismas antes de usar/efectuar el mantenimiento de la máquina. Estas **PRECAUCIONES DE SEGURIDAD** contienen aspectos no incluidos en las especificaciones del producto que haya adquirido.

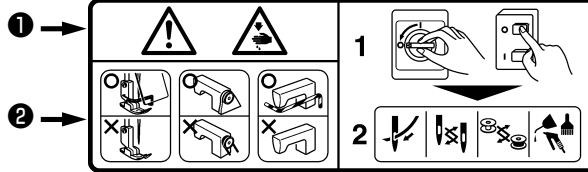

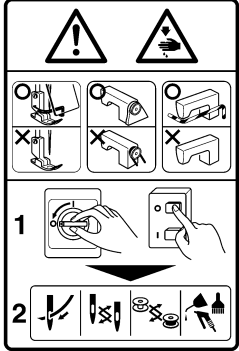
Las indicaciones de riesgo se clasifican en las siguientes tres categorías diferentes, para que los usuarios puedan entender el significado de las etiquetas. Asegúrese de entender cabalmente la siguiente descripción y observar las instrucciones estrictamente.

(I) Explicación de niveles de riesgos

	PELIGRO : Esta indicación se consigna cuando existe peligro inminente de muerte o lesiones graves si la persona encargada o cualquier tercero no maneja la máquina como es debido o no evita la situación peligrosa al manejar o efectuar el mantenimiento de la máquina.
	ADVERTENCIA : Esta indicación se consigna cuando existe la probabilidad de muerte o lesiones graves si la persona encargada o cualquier tercero no maneja la máquina como es debido o no evita la situación peligrosa al manejar o efectuar el mantenimiento de la máquina.
	PRECAUCIÓN : Esta indicación se consigna cuando hay peligro de lesiones de gravedad moderada a leve si la persona encargada o cualquier tercero no maneja la máquina como es debido o no evita la situación peligrosa al manejar o efectuar el mantenimiento de la máquina.
	Ítemes que requieren atención especial.

(II) Explicación de indicaciones de advertencia y etiquetas de advertencia pictóricas

Indicaciones de advertencia pictóricas		Existe el riesgo de lesión si se toca una parte móvil.	Indicaciones de advertencia pictóricas		Tenga en cuenta que puede lastimarse las manos si sujeta la máquina de coser durante su operación.
		Existe el riesgo de electrochoque si se toca una parte de alto voltaje.			Existe el riesgo de enredo en la correa que puede resultar en lesión.
		Existe el riesgo de quemadura si se toca una parte de alta temperatura.			Existe el riesgo de sufrir lesiones si se toca el portabotones.
		Tenga en cuenta que no se debe mirar directamente al haz láser ya que esto puede causar daños a la vista.	Etiquetas de indicación		Indica la dirección correcta.
		Existe el riesgo de contacto entre su cabeza y la máquina de coser.			Indica la conexión de un cable a tierra.

Etiqueta de seguridad			Etiqueta de peligro de electrochoques		危険 高電圧部分に触れて、大けがをすることがある。 電源を切って、5分以上たってからカバーをはずすこと。	DANGER Hazardous voltage will cause injury. Turn off main switch and unplug power cord and wait at least 5 minutes before opening this cover.
	① • Existe la posibilidad de que se cause una lesión grave o muerte. • Existe la posibilidad de que se cause una lesión al tocar alguna parte en movimiento. ② • Realizar el trabajo de cosido con el protector de seguridad. • Realizar el trabajo de cosido con la cubierta de seguridad. • Realizar el trabajo de cosido con el dispositivo protector de seguridad. ③ • Asegúrese de desconectar la corriente eléctrica antes de ejecutar el “enhebrado del cabezal de la máquina”, “cambio de aguja”, “cambio de bobina” o “aceitado y limpieza”.					

PRECAUCIONES DE SEGURIDAD

Accidente significa "causar lesiones corporales o muerte o daños a la propiedad".



PELIGRO

1. Cuando sea necesario abrir la caja de control que contiene piezas eléctricas, asegúrese de desconectar la corriente eléctrica y esperar unos cinco minutos o más antes de abrir la cubierta, para evitar accidentes que resulten en electrochoques.



PRECAUCIÓN

Precauciones básicas

1. Antes de usar la máquina, asegúrese de leer el manual de instrucciones y otros documentos explicativos que se suministran con los accesorios de la máquina. Tenga a mano el manual de instrucciones y los documentos explicativos para su rápida consulta.
2. Esta sección contiene aspectos no incluidos en las especificaciones del producto que haya adquirido.
3. Asegúrese de utilizar gafas protectoras para protegerse contra accidentes causados por la rotura de agujas.
4. Las personas que usan marcapasos deben consultar con un médico especialista antes de usar la máquina.

Dispositivos de seguridad y etiquetas de advertencia

1. Asegúrese de usar la máquina después de verificar que el(los) dispositivo(s) de seguridad está(n) instalados correctamente en su lugar y funcionan normalmente, para evitar accidentes causados por falta de tal(es) dispositivo(s).
2. Si se ha retirado cualquiera de los dispositivos de seguridad, asegúrese de reinstalarlo y verificar que trabaja normalmente, para evitar accidentes que puedan resultar en lesiones corporales o muerte.
3. Asegúrese de mantener las etiquetas de advertencia adheridas a la máquina en un lugar claramente visible, para evitar accidentes que puedan resultar en lesiones corporales o muerte. En caso de que cualquiera de las etiquetas se haya ensuciado o despegado, asegúrese de reemplazarla con una nueva.

Aplicación y modificación

1. Nunca use la máquina en una aplicación distinta de la destinada y de ninguna manera distinta de la descrita en el manual de instrucciones, para evitar accidentes que puedan resultar en lesiones corporales o muerte. JUKI no se responsabiliza por ningún daño o lesión corporal o muerte resultante del uso de la máquina en una aplicación distinta de la destinada.
2. Nunca modifique ni altere la máquina, para evitar accidentes que puedan resultar en lesiones corporales o muerte. JUKI no se responsabiliza por ningún daño o lesión corporal o muerte resultante de la máquina que haya sido modificada o alterada.

Instrucción y adiestramiento

1. Para evitar accidentes resultantes de la falta de familiaridad con la máquina, la máquina deberá ser usada sólo por el operador o la operadora que haya recibido instrucción/adiestramiento por el empleador con respecto a la operación de la máquina y la forma de operar la máquina con seguridad, y posea debido conocimiento de la misma y habilidades para su operación. Para asegurar lo anterior, el empleador debe implantar un plan de instrucción/adiestramiento para sus operadores u operadoras e impartirles dicha instrucción/adiestramiento con antelación.

Situaciones en que es necesario desconectar la corriente eléctrica de la máquina

Desconexión de la corriente eléctrica: Significa desactivar el interruptor de la corriente eléctrica y luego desenchufar del tomacorriente el enchufe del cable eléctrico. Esto es aplicable a lo siguiente:

1. Asegúrese de desconectar la corriente eléctrica de inmediato en caso de que se detecte alguna anomalía o falla o en caso de un corte eléctrico, para protegerse contra accidentes que puedan resultar en lesiones corporales o muerte.
2. Para protegerse contra accidentes resultantes del arranque brusco o inesperado de la máquina, asegúrese de desconectar la corriente eléctrica antes de llevar a cabo las siguientes operaciones. Para la máquina equipada con un motor de embrague, en particular, asegúrese de desconectar la corriente eléctrica y verificar que la máquina se haya detenido por completo antes de llevar a cabo las siguientes operaciones.
 - 2-1. Por ejemplo, enhebrado de partes tales como aguja, enlazador, estiradora, etc. que deben enhebrarse, o cambio de bobina.
 - 2-2. Por ejemplo, cambio o ajuste de todos los componentes de la máquina.
 - 2-3. Por ejemplo, al inspeccionar, reparar o limpiar la máquina o al alejarse de la máquina.
3. Asegúrese de desenchufar el cable de la corriente eléctrica sosteniendo la parte del enchufe y no del cable en sí, para evitar accidentes por electrochoque, fuga a tierra o fuego.
4. Asegúrese de desconectar la corriente eléctrica cuando deje la máquina desatendida entre trabajo y trabajo.
5. Asegúrese de desconectar la corriente eléctrica en caso de un corte eléctrico, para evitar accidentes resultantes de averías de componentes eléctricos.

PRECAUCIONES A TOMAR EN DIVERSAS ETAPAS DE OPERACIÓN

Transporte

1. Asegúrese de levantar y mover la máquina de forma segura teniendo en cuenta el peso de la máquina. Consulte el manual de instrucciones para confirmar la masa de la máquina.
2. Antes de levantar o mover la máquina, asegúrese de adoptar suficientes medidas de seguridad para evitar la caída de la máquina, para protegerse contra accidentes que puedan resultar en lesiones corporales o muerte.
3. Una vez que se haya desembalado la máquina, no la vuelva a embalar para su transporte, para proteger la máquina contra averías resultantes de la caída o accidente imprevisto.

Desembalaje

1. Asegúrese de desembalar la máquina en la secuencia prescrita para evitar accidentes que puedan resultar en lesiones corporales o muerte. En particular, en caso de que la máquina venga encajonada, asegúrese de comprobar los clavos con cuidado. Los clavos deben eliminarse.
2. Asegúrese de comprobar la posición del centro de gravedad de la máquina y sacarla del embalaje con cuidado, para evitar accidentes que puedan resultar en lesiones corporales o muerte.

Instalación

(I) Mesa y pedestal de la mesa

1. Asegúrese de usar la mesa y el pedestal de la mesa legítimos de JUKI, para evitar accidentes que puedan resultar en lesiones corporales o muerte. Si es inevitable usar una mesa y un pedestal de mesa distintos de los legítimos de JUKI, asegúrese de que los mismos puedan soportar el peso de la máquina y la fuerza de reacción durante su operación.
2. Si se colocan roldanas pivotantes al pedestal de la mesa, asegúrese de usar roldanas pivotantes con mecanismo de enclavamiento y enclavarlas para inmovilizar la mesa durante la operación, mantenimiento, inspección y reparación de la máquina, para evitar accidentes que puedan resultar en lesiones corporales o muerte.

(II) Cable y cableado

1. Asegúrese de que el cable no esté expuesto a una fuerza extra durante su uso para evitar accidentes por electrochoque, fuga a tierra o fuego. Además, si fuere necesario cablear cerca de una sección de operación tal como la correa en V, asegúrese de que exista una separación de 30 mm o más entre la sección de operación y el cable.
2. Asegúrese de evitar la conexión múltiple tipo pulpo, para evitar accidentes por electrochoque, fuga a tierra o fuego.
3. Asegúrese de conectar firmemente los conectores, para evitar accidentes por electrochoque, fuga a tierra o fuego. Además, al retirar un conector, asegúrese de hacerlo sosteniendo el conector propiamente dicho y no tirando del cable.

(III) Conexión a tierra

1. Asegúrese de que sea un electricista calificado quien instale el enchufe, para evitar accidentes causados por fuga a tierra o falla de tensión dieléctrica. Además, asegúrese de conectar el enchufe a un tomacorriente conectado a tierra indefectiblemente.
2. Asegúrese de conectar a tierra el cable de tierra, para evitar accidentes causados por fuga a tierra.

(IV) Motor

1. Asegúrese de usar un motor del régimen especificado (producto legítimo de JUKI), para evitar accidentes causados por destrucción por calentamiento.
2. Si utiliza un motor de embrague disponible en el mercado, asegúrese de seleccionar uno equipado con cubierta de la polea a prueba de enredos, para protegerla contra el riesgo de que se enrede con la correa en V.

Antes de la operación

1. Antes de conectar la corriente eléctrica, asegúrese de comprobar que los conectores y cables estén libres de daño, no estén desprendidos ni flojos, para evitar accidentes que puedan resultar en lesiones corporales o muerte.
2. Nunca ponga sus manos en las partes móviles de la máquina, para evitar accidentes que puedan resultar en lesiones corporales o muerte.
Además, compruebe para asegurarse de que la dirección de rotación de la polea concuerde con la flecha indicada en la polea.
3. Si se usa el pedestal de la mesa provisto de roldanas pivotantes, asegúrese de inmovilizar el pedestal de la mesa enclavando las roldanas pivotantes o con ajustadores, si están provistos, para evitar accidentes causados por el arranque brusco de la máquina.

Durante la operación

1. Asegúrese de no poner sus dedos, cabello o ropa cerca de partes móviles tales como volante, polea de mano y motor, ni coloque nada cerca de esas partes cuando la máquina está en funcionamiento, para evitar accidentes causados por enredos que puedan resultar en lesiones corporales o muerte.
2. Al conectar la corriente eléctrica o cuando la máquina está en funcionamiento, asegúrese de no poner sus dedos cerca del área circundante a la aguja o dentro de la cubierta de la palanca toma-hilo, para evitar accidentes que puedan resultar en lesiones corporales o muerte.
3. La máquina marcha a alta velocidad. Por lo tanto, nunca ponga sus manos cerca de partes móviles tales como enlazador, estiradora, barra de agujas, gancho y cuchilla de corte de tela durante la operación, para proteger sus manos contra lesiones. Además, antes de cambiar el hilo, asegúrese de desconectar la corriente eléctrica y comprobar que la máquina está completamente parada.
4. Al mover la máquina de la mesa o colocarla de nuevo sobre la mesa, tenga cuidado para no permitir que sus dedos u otras partes de su cuerpo queden atrapados entre la máquina y la mesa, para evitar accidentes que puedan resultar en lesiones corporales o muerte.

5. Antes de retirar la cubierta de la correa y la correa en V, asegúrese de desconectar la corriente eléctrica y comprobar que la máquina y el motor están completamente parados, para evitar accidentes causados por el arranque brusco de la máquina o el motor.
6. Si se usa un servomotor con la máquina, el motor no genera ruido cuando la máquina está en reposo. Por lo tanto, asegúrese de no olvidarse de desconectar la corriente eléctrica, para evitar accidentes causados por el arranque brusco del motor.
7. Nunca use la máquina con el orificio de enfriamiento de la caja de alimentación del motor tapado, para evitar que se genere fuego por sobrecalentamiento.

Lubricación

1. Asegúrese de utilizar el aceite legítimo de JUKI y la grasa legítima de JUKI en las partes que deben lubricarse.
2. Si el aceite entra en contacto con sus ojos o cuerpo, asegúrese de eliminarla y lavarse de inmediato, para evitar la inflamación o irritación.
3. Si ingiere el aceite accidentalmente, asegúrese de consultar con un médico de inmediato, para evitar el vómito o diarrea.

Mantenimiento

1. Para evitar accidentes causados por la falta de familiaridad con la máquina, los trabajos de reparación y ajuste deben ser efectuados por un técnico de servicio debidamente familiarizado con la máquina dentro del alcance definido en el manual de instrucciones. Asegúrese de utilizar repuestos legítimos de JUKI al reemplazar cualquiera de las piezas de la máquina. JUKI no se responsabiliza por ningún accidente causado por la reparación o el ajuste indebido o el uso de repuestos que no sean los legítimos de JUKI.
2. Para evitar accidentes causados por la falta de familiaridad con la máquina o accidentes por electrocuciones, asegúrese de encargar el trabajo de reparación y mantenimiento (incluyendo el cableado) de componentes eléctricos a un técnico electricista de su compañía o a JUKI o el distribuidor en su área.
3. Cuando efectúe la reparación o el mantenimiento de la máquina que emplea partes neumáticas tal como cilindro de aire, asegúrese de retirar con antelación el tubo de suministro de aire para expulsar el aire remanente en la máquina, para evitar accidentes causados por el arranque brusco de las partes neumáticas.
4. Al término de la reparación, el ajuste y reemplazo de piezas, asegúrese de comprobar que los tornillos y tuercas estén apretados firmemente.
5. Asegúrese de limpiar la máquina periódicamente durante su uso. Antes de realizar la limpieza de la máquina, asegúrese de desconectar la corriente eléctrica y verificar que tanto la máquina como el motor estén completamente parados, para evitar accidentes causados por el arranque brusco de la máquina o el motor.
6. Antes de realizar el mantenimiento, inspección o reparación de la máquina, asegúrese de desconectar la corriente eléctrica y verificar que tanto la máquina como el motor estén completamente parados. (Para la máquina equipada con motor de embrague, el motor continuará funcionando durante un rato por inercia aun cuando se desconecte la corriente eléctrica. Por lo tanto, tenga cuidado.)
7. Si tras su reparación o ajuste, la máquina no funciona normalmente, detenga de inmediato su funcionamiento y póngase en contacto con JUKI o el distribuidor de su área para su reparación, para evitar accidentes que puedan resultar en lesiones corporales o muerte.
8. Si se ha quemado el fusible, asegúrese de desconectar la corriente eléctrica, eliminar la causa de la quemadura del fusible y reemplazar el fusible con uno nuevo, para evitar accidentes que puedan resultar en lesiones corporales o muerte.
9. Asegúrese de limpiar periódicamente el orificio de ventilación del ventilador e inspeccionar el área circundante al cableado, para evitar accidentes por fuego del motor.

Ambiente operativo

1. Asegúrese de utilizar la máquina en un ambiente no expuesto a una fuente de ruidos fuertes (ondas electromagnéticas) tal como una soldadora de alta frecuencia, para evitar accidentes causados por el malfuncionamiento de la máquina.
2. Nunca utilice la máquina en un lugar en que la fluctuación del voltaje supere el "voltaje nominal $\pm 10\%$ ", para evitar accidentes causados por el malfuncionamiento de la máquina.
3. Antes de usar cualquier dispositivo neumático tal como el cilindro de aire, asegúrese de que funcione a la presión de aire especificada, para evitar accidentes causados por el malfuncionamiento de la máquina.
4. Para utilizar la máquina en condiciones de seguridad, asegúrese de utilizarla en un ambiente que satisfaga las siguientes condiciones:
Temperatura ambiente durante su operación: 5°C a 35°C
Humedad relativa durante su operación: 35% a 85%
5. Puede haber condensación de rocío si la máquina se muda de un ambiente frío a uno cálido. Por lo tanto, asegúrese de conectar la corriente eléctrica después de haber esperado durante suficiente tiempo hasta que no haya señales de gotas de agua, para evitar accidentes causados por avería o malfuncionamiento de los componentes eléctricos.
6. Para garantizar la seguridad, asegúrese de detener la operación de la máquina cuando haya rayos y truenos y retire el enchufe del tomacorriente, para evitar accidentes causados por avería o malfuncionamiento de los componentes eléctricos.
7. Dependiendo de la condición de las señales de ondas radioeléctricas, la máquina podría generar ruido en el aparato de televisión o radio. Si esto ocurre, use el aparato de televisión o radio lejos de la máquina.
8. Para asegurar un ambiente adecuado de trabajo, deben observarse las normativas y reglamentos locales del país en donde se instala la máquina de coser.
En caso de que se requiera el control de ruidos, deberán usarse protectores auditivos, orejeras u otros dispositivos de protección, de acuerdo con las normativas y reglamentos aplicables.
9. La eliminación de productos y embalajes y el tratamiento del aceite lubricante usado deben efectuarse apropiadamente de acuerdo con las leyes aplicables en el país en que se utiliza la máquina de coser.

Precauciones a tomar para utilizar la serie DDL-5550N **en condiciones de mayor seguridad**



1. No coloque su mano debajo de la cuchilla cortatelas y de la aguja cuando posicione en ON el interruptor de la corriente o cuando opera la máquina de coser.
2. No coloque su mano en la cubierta del tira-hilos mientras la máquina esté en operación.
3. No se olvide de desconectar la corriente antes de inclinar el cabezal de la máquina hacia atrás o de cambiar la cubierta de la correa o la correa en V.
4. Nunca ponga sus dedos, cabello ni vestidos ni ningún objeto cerca o encima del volante, correa en V, bobinadora o motor durante la operación.
5. Si la máquina está equipada con una cubierta de correa, protector de dedos, protector de ojos y placa de seguridad, nunca opere su máquina sin cualquiera de estos protectores.
6. Antes de insertar/extraer el conector de la corriente eléctrica debe posicionar de antemano sin falta en OFF el interruptor de alimentación.
7. Cuando use motores de embrague sin aplicar el freno, se debe esperar hasta que el motor pare totalmente.



8. Para garantizar la seguridad, nunca opere la máquina con el cabo de conexión a tierra para la alimentación desconectado.
9. Antes de insertar/extraer el conector de alimentación, se debe desconectar el interruptor de alimentación de antemano.
10. Durante tiempos con truenos y relámpagos, pare su trabajo y desconecte el enchufe de alimentación desde la toma para garantizar seguridad.
11. Si se mueve la máquina repentinamente de un ambiente frío a un ambiente caliente, puede observarse condensación. En este caso, conecte la alimentación de la máquina después de comprobar que no hay más peligro de goteo en la máquina.
12. Tenga cuidado al manipular este producto para evitar que le caiga agua o aceite o causarle caídas o golpes etc., dado que este producto es un instrumento de precisión.



PRECAUCIÓN





Asimismo, tenga en cuenta que los dispositivos de protección tales como la “cubierta de protección ocular” y el “guardamano” algunas veces se omiten en los dibujos, ilustraciones y figuras que se incluyen en el Manual de Instrucciones con fines explicativos. En la práctica, nunca retire tales dispositivos de protección.

PER GARANTIRE L'USO SICURO DELLA MACCHINA PER CUCIRE











Per la macchina per cucire, la macchina automatica ed i dispositivi ausiliari (di seguito denominati collettivamente come "macchina"), è inevitabile condurre lavori di cucitura vicino a parti in movimento della macchina. Ciò significa che c'è sempre una possibilità di venire accidentalmente a contatto con parti in movimento. Si consiglia vivamente, agli operatori che azionano effettivamente la macchina e al personale di manutenzione coinvolto nella manutenzione e riparazione della macchina, di leggere con attenzione per comprendere appieno le seguenti **AVVERTENZE PER LA SICUREZZA** prima di utilizzare la macchina/effettuare la manutenzione della macchina. Il contenuto delle **AVVERTENZE PER LA SICUREZZA** comprende gli articoli che non sono contenuti nelle specifiche del prodotto.

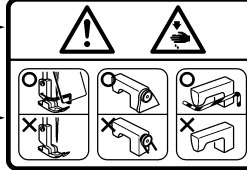
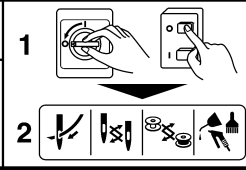
Le indicazioni di rischio sono classificate nelle seguenti tre diverse categorie per aiutare a capire il significato delle etichette. Assicurarsi di comprendere pienamente la seguente descrizione e di rispettare rigorosamente le istruzioni.


(I) Spiegazione dei livelli di rischio

	PERICOLO : Questa indicazione è presente dove vi è un immediato pericolo di gravi lesioni o morte se la persona incaricata o terzi manovrano male la macchina o non evitano la situazione pericolosa quando si aziona la macchina o si effettua la manutenzione della macchina.
	AVVERTIMENTO : Questa indicazione è presente dove vi è un potenziale pericolo di gravi lesioni o morte se la persona incaricata o terzi manovrano male la macchina o non evitano la situazione pericolosa quando si aziona la macchina o si effettua la manutenzione della macchina.
	ATTENZIONE : Questa indicazione è presente dove vi è un pericolo di lesioni leggere o medie se la persona incaricata o terzi manovrano male la macchina o non evitano la situazione pericolosa quando si aziona la macchina o si effettua la manutenzione della macchina.
	Articoli che richiedono particolare attenzione

(II) Spiegazione delle icone di avvertimento e delle etichette di indicazione

Icona di avvertimento		Vi è un pericolo di lesioni se si viene a contatto con una sezione in movimento.	Icona di avvertimento		Tenere presente che se si tiene la macchina per cucire durante il funzionamento, possono essere causate le ferite alle mani.
		Vi è un pericolo di scosse elettriche se si viene a contatto con una sezione ad alta tensione.			Vi è un pericolo di intrappolamenti nella cinghia con conseguenti lesioni.
		Vi è un pericolo di scottature se si viene a contatto con una sezione ad alta temperatura.			C'è il rischio di lesioni se si tocca il trasportatore del bottone.
		Tenere presente che se i raggi laser entrano nell'occhio direttamente, possono danneggiare la vista.	Etichetta di indicazione		Il corretto senso è indicato.
		C'è il rischio di contatto tra la testa dell'operatore e la macchina per cucire.			Il collegamento di un filo di messa a terra è indicato.

Etichetta di avvertimento	  	 
	<p>① • C'è la possibilità che ferimenti da leggeri a gravi oppure morte vengano causati. • C'è la possibilità che ferimenti vengano causati se si toccano elementi mobili.</p> <p>② • Effettuare il lavoro di cucitura con il riparo di sicurezza. • Effettuare il lavoro di cucitura con il coperchio di sicurezza. • Effettuare il lavoro di cucitura con il dispositivo protettivo di sicurezza.</p> <p>③ • Assicurarsi di spegnere la macchina prima di effettuare "infilatura della testa della macchina", "sostituzione dell'ago", "sostituzione della bobina" o "lubrificazione e pulizia".</p>	

Etichetta pericolo scariche elettriche		危険 高電圧部分に触れて、大けがをすることがある。 電源を切って、5分以上たってからカバーをはずすこと。	DANGER Hazardous voltage will cause injury. Turn off main switch and unplug power cord and wait at least 5 minutes before opening this cover.
--	---	---	--

AVVERTENZE PER LA SICUREZZA

L'incidente significa "causare lesioni personali o morte o danni alla proprietà."



PERICOLO

1. Quando è necessario aprire la centralina di controllo contenente parti elettriche, assicurarsi di disattivare l'alimentazione e di attendere cinque minuti o più prima di aprire il coperchio al fine di evitare gli incidenti causati da scosse elettriche.



ATTENZIONE

Precauzioni di basebásicas

1. Assicurarsi di leggere il manuale d'istruzioni e altri documenti esplicativi in dotazione con la macchina prima di utilizzare la macchina. Conservare il presente manuale ed i documenti esplicativi in un luogo sicuro affinché possano essere sempre disponibili.
2. Il contenuto di questa sezione include gli articoli che non sono contenuti nelle specifiche del prodotto.
3. Assicurarsi di indossare occhiali di sicurezza per la protezione contro gli incidenti causati dalla rottura dell'ago.
4. Coloro che utilizzano uno stimolatore cardiaco devono usare la macchina, previa consultazione con un medico specialista.

Dispositivi di sicurezza ed etichette di avvertimento

1. Assicurarsi di azionare la macchina dopo aver controllato che i dispositivi di sicurezza siano installati correttamente ai posti giusti e funzionino regolarmente al fine di prevenire gli incidenti causati dalla mancanza dei dispositivi.
2. Se uno qualsiasi dei dispositivi di sicurezza viene rimosso, assicurarsi di rimetterlo a posto e controllare che funzioni regolarmente al fine di prevenire gli incidenti che possono causare lesioni personali o morte.
3. Assicurarsi di mantenere le etichette di avvertimento aderite sulla macchina chiaramente visibili al fine di prevenire gli incidenti che possono causare lesioni personali o morte. Se una qualsiasi delle etichette è macchiata o scollata, assicurarsi di cambiarla con una nuova.

Scopi e modifica

1. Non utilizzare mai la macchina per altri scopi all'infuori di quelli indicati né in altri modi all'infuori di quello prescritto nel manuale d'istruzioni al fine di prevenire gli incidenti che possono causare lesioni personali o morte. La società JUKI non si assume responsabilità alcuna per eventuali danni o lesioni personali o morte causati dall'uso della macchina per altri scopi all'infuori di quelli indicati.
2. Mai modificare né alterare la macchina al fine di prevenire gli incidenti che possono causare lesioni personali o morte. La società JUKI non si assume responsabilità alcuna per eventuali danni o lesioni personali o morte causati dalla modifica o alterazione della macchina stessa.

Istruzione e addestramento

1. Al fine di prevenire gli incidenti causati dalla mancanza di familiarità con la macchina, la macchina deve essere utilizzata unicamente da un operatore che sia stato addestrato/istruito dal datore di lavoro per quanto riguarda il funzionamento della macchina e su come far funzionare la macchina in sicurezza per acquisire adeguate conoscenze e abilità di operazione. Al fine di garantire quanto sopra, il datore di lavoro deve stabilire un piano di istruzione/addestramento per gli operatori e deve istruire/addestrarli in anticipo.

Articoli per i quali la macchina deve essere disattivata

Disattivazione: Spegnimento dell'interruttore dell'alimentazione, quindi disinserimento della spina dalla presa di corrente. Questo vale per i seguenti articoli.

1. Assicurarsi di disattivare immediatamente la macchina quando si constatano anomalie o guasti o in caso di mancanza di corrente per la protezione contro gli incidenti che possono causare lesioni personali o morte.
2. Per la protezione contro gli incidenti causati dall'avvio improvviso della macchina, assicurarsi di disattivare la macchina prima di effettuare le seguenti operazioni. Per la macchina che incorpora un motore a frizione, in particolare, assicurarsi di disattivare la macchina e controllare che la macchina sia completamente ferma prima di effettuare le seguenti operazioni.
 - 2-1. Ad esempio, quando si infilano le parti come l'ago, il crochet, lo stendifilo, ecc che devono essere infilati, o quando si cambia la bobina.
 - 2-2. Per esempio, quando si cambia o si regola un componente qualsiasi della macchina.
 - 2-3. Ad esempio, quando si ispeziona, si ripara o si pulisce la macchina o si lascia il posto di lavoro.
3. Assicurarsi di disinserire la spina di alimentazione tenendo la spina invece del cavo al fine di evitare scosse elettriche, dispersione verso terra o incendi.
4. Assicurarsi di disattivare la macchina ogni volta che la macchina è lasciata incustodita durante la pausa lavoro.
5. Assicurarsi di disattivare la macchina in caso di mancanza di corrente al fine di prevenire gli incidenti causati dalla rottura di componenti elettrici.

PRECAUZIONI DA PRENDERE IN VARIE FASI OPERATIVE

Trasporti

1. Assicurarsi di sollevare e spostare la macchina in modo sicuro tenendo in considerazione il peso della macchina. Fare riferimento al testo del manuale d'istruzioni per la massa della macchina.
2. Assicurarsi di adottare misure di sicurezza sufficienti per evitare la caduta e cose simili prima di sollevare o spostare la macchina per la protezione contro gli incidenti che possono causare lesioni personali o morte.
3. Una volta che la macchina è stata sballata, mai riimballarla per il trasporto per proteggere la macchina contro la rottura causata da incidenti imprevisti o cadute.

Sballatura

1. Assicurarsi di sballare la macchina nell'ordine prescritto al fine di prevenire gli incidenti che possono causare lesioni personali o morte. Quando la macchina è imballata in cassa di legno, in particolare, assicurarsi di controllare attentamente i chiodi. I chiodi devono essere rimossi.
2. Assicurarsi di controllare la macchina per la posizione del suo centro di gravità e di tirarla fuori dall'imballo attentamente al fine di prevenire gli incidenti che possono causare lesioni personali o morte.

Installazione

(I) Tavolo e supporto del tavolo

1. Assicurarsi di utilizzare il tavolo e il supporto del tavolo originali JUKI al fine di prevenire gli incidenti che possono causare lesioni personali o morte. Se è inevitabile usare un tavolo e un supporto del tavolo che non sono quelli originali JUKI, selezionare un tavolo e un supporto del tavolo che siano in grado di sostenere il peso della macchina e la forza di reazione durante il funzionamento.
2. Se si montano le rotelle sul supporto del tavolo, assicurarsi di utilizzare le rotelle con un meccanismo di bloccaggio e di bloccarle per fissare la macchina durante il funzionamento, la manutenzione, l'ispezione e la riparazione al fine di prevenire gli incidenti che possono causare lesioni personali o morte.

(II) Cavi e cablaggio

1. Assicurarsi di evitare che una forza eccessiva venga applicata al cavo durante l'uso al fine di evitare scosse elettriche, dispersione verso terra o incendi. Inoltre, se è necessario cablare vicino alla sezione di funzionamento come la cinghia a V, assicurarsi di lasciare uno spazio di 30 mm o più tra la sezione di funzionamento e il cavo.
2. Assicurarsi di evitare l'inserimento di troppe spine su una stessa presa di corrente al fine di evitare scosse elettriche, dispersione verso terra o incendi.
3. Assicurarsi di collegare i connettori in modo sicuro al fine di evitare scosse elettriche, dispersione verso terra o incendi. Inoltre, assicurarsi di disinserire il connettore tenendo la sezione di connettore.

(III) Messa a terra

1. È necessario che una spina appropriata di alimentazione sia installata da parte di un perito elettrico al fine di prevenire gli incidenti causati da dispersione verso terra o rigidità dielettrica. Inoltre, assicurarsi di collegare la spina di alimentazione alla presa di corrente completa di terra.
2. Assicurarsi di mettere a terra il filo di messa a terra al fine di prevenire gli incidenti causati da dispersione verso terra.

(IV) Motore

1. Assicurarsi di utilizzare il motore nominale specificato (prodotto originale JUKI) al fine di prevenire gli incidenti causati dalla bruciatura.
2. Se un motore a frizione disponibile in commercio è usato con la macchina, assicurarsi di selezionare uno con un copripuleggia anti-intrappolamenti per la protezione contro intrappolamenti nella cinghia a V.

Prima della messa in funzione

1. Assicurarsi che i connettori e cavi siano esenti da danni, perdita di parti e allentamento prima di attivare l'alimentazione al fine di prevenire gli incidenti con conseguenti lesioni personali o morte.
2. Mai mettere la mano nelle sezioni in movimento della macchina al fine di prevenire gli incidenti che possono causare lesioni personali o morte. Inoltre, controllare che il senso di rotazione della puleggia corrisponda alla freccia indicata sulla puleggia.
3. Se il supporto del tavolo con le rotelle è utilizzato, assicurarsi di fissare il supporto del tavolo bloccando le rotelle o con i regolatori, se dotato di regolatori, per la protezione contro gli incidenti causati dall'avvio improvviso della macchina.

Durante il funzionamento

1. Assicurarsi di non avvicinare dita, capelli, lembi di vestiario o oggetti alle sezioni in movimento come il volantino, la puleggia a mano e il motore quando la macchina è in funzione al fine di prevenire gli incidenti causati da intrappolamenti che possono causare lesioni personali o morte.
2. Assicurarsi di non mettere le dita vicino alle aree circostanti dell'ago o all'interno del coperchio della leva tirafilo quando si attiva l'alimentazione o quando la macchina è in funzione al fine di prevenire gli incidenti che possono causare lesioni personali o morte.
3. La macchina gira ad una velocità elevata. Non avvicinare mai le mani alle sezioni in movimento come il crochet, lo stendifilo, la barra dell'ago e il coltello tagliatessuto durante il funzionamento al fine di proteggere le mani contro le lesioni. Inoltre, assicurarsi di disattivare l'alimentazione e controllare che la macchina sia completamente ferma prima di cambiare il filo.
4. Fare attenzione che le dita o altre parti del corpo non vengano intrappolate tra la macchina e il tavolo quando si rimuove la macchina dal tavolo o la si rimette sul tavolo al fine di prevenire gli incidenti che possono causare lesioni personali o morte.
5. Assicurarsi di disattivare l'alimentazione e controllare che la macchina e il motore siano completamente fermi prima di rimuovere il copricinghia e la cinghia a V al fine di prevenire gli incidenti causati dall'avvio improvviso della macchina o del motore.

6. Se un servomotore è utilizzato con la macchina, il motore non è rumoroso quando la macchina è in stato di riposo. Assicurarsi di non dimenticare di disattivare l'alimentazione al fine di prevenire gli incidenti causati dall'avvio improvviso del motore.
7. Non utilizzare mai la macchina se l'apertura di raffreddamento della centralina di alimentazione del motore è otturata al fine di prevenire gli incendi causati da surriscaldamenti.

Lubrificazione

1. Assicurarsi di utilizzare l'olio originale JUKI e il grasso originale JUKI per le parti da lubrificare.
2. Nel caso in cui l'olio venisse a contatto con gli occhi o con il corpo, assicurarsi di lavare via immediatamente al fine di prevenire l'infiammazione o l'irritazione.
3. Nel caso in cui l'olio venisse ingerito involontariamente, assicurarsi di consultare immediatamente un medico al fine di prevenire la diarrea o il vomito.

Manutenzione

1. Al fine di prevenire gli incidenti causati dalla mancanza di familiarità con la macchina, la riparazione e la regolazione deve essere effettuata da un tecnico di manutenzione che conosca bene la macchina nei limiti definiti nel manuale d'istruzioni. Assicurarsi di utilizzare le parti originali JUKI quando si sostituiscono le parti della macchina. La società JUKI non si assume responsabilità alcuna per eventuali incidenti causati dalla riparazione o regolazione inadeguata o dall'uso di altre parti all'infuori di quelle originali JUKI.
2. Al fine di prevenire gli incidenti causati dalla mancanza di familiarità con la macchina o da scosse elettriche, assicurarsi di affidare la riparazione e la manutenzione (compreso il cablaggio) dei componenti elettrici ad un tecnico elettrico della vostra azienda, della JUKI o dei distributori nella vostra zona.
3. Quando si effettua la riparazione o la manutenzione della macchina che usa le parti ad azionamento pneumatico come un cilindro pneumatico, assicurarsi di rimuovere il tubo di alimentazione dell'aria per eliminare l'aria che rimane nella macchina in anticipo al fine di prevenire gli incidenti causati dall'avvio improvviso delle parti ad azionamento pneumatico.
4. Assicurarsi di controllare che le viti ed i dadi siano esenti da allentamento dopo il completamento della riparazione, regolazione e sostituzione delle parti.
5. Assicurarsi di pulire periodicamente la macchina durante il periodo di utilizzo. Assicurarsi di disattivare l'alimentazione e controllare che la macchina e il motore siano completamente fermi prima di pulire la macchina al fine di prevenire gli incidenti causati dall'avvio improvviso della macchina o del motore.
6. Assicurarsi di disattivare l'alimentazione e controllare che la macchina e il motore siano completamente fermi prima di effettuare la manutenzione, l'ispezione o la riparazione della macchina. (Per la macchina con un motore a frizione, il motore continuerà a girare per un po' per inerzia anche dopo aver disattivato l'alimentazione. È necessario perciò fare attenzione.)
7. Nel caso in cui la macchina non potesse essere azionata regolarmente dopo la riparazione o la regolazione, interrompere immediatamente il lavoro e contattare la JUKI o i distributori nella vostra zona per la riparazione al fine di prevenire gli incidenti che possono causare lesioni personali o morte.
8. Nel caso in cui il fusibile fosse bruciato, assicurarsi di disattivare l'alimentazione ed eliminare la causa della bruciatura del fusibile e di sostituire il fusibile bruciato con uno nuovo al fine di prevenire gli incidenti che possono causare lesioni personali o morte.
9. Assicurarsi di pulire periodicamente la presa d'aria del ventilatore e di ispezionare l'area intorno al cablaggio al fine di prevenire gli incendi del motore.

Ambiente operativo

1. Assicurarsi di utilizzare la macchina in un ambiente che non sia influenzata dalla forte sorgente di rumore (onde elettromagnetiche) come una saldatrice ad alta frequenza al fine di prevenire gli incidenti causati da malfunzionamenti della macchina.
2. Non utilizzare mai la macchina in un luogo in cui la fluttuazione della tensione di alimentazione supera "tensione nominale $\pm 10\%$ " al fine di prevenire gli incidenti causati da malfunzionamenti della macchina.
3. Per quanto riguarda i dispositivi ad azionamento pneumatico come un cilindro pneumatico, assicurarsi di controllare che sia ottenuta la pressione specificata dell'aria per questi dispositivi prima di utilizzarli al fine di prevenire gli incidenti causati da malfunzionamenti della macchina.
4. Al fine di utilizzare la macchina in sicurezza, assicurarsi di usarla in un ambiente che soddisfi le seguenti condizioni:
Temperatura dell'ambiente operativo dai 5 °C ai 35 °C
Umidità relativa dell'ambiente operativo dal 35% ai 85%
5. Se la macchina viene spostata da un luogo fresco a un luogo caldo, potrebbero verificarsi fenomeni di condensa. In questo caso, attivare l'alimentazione dopo essersi accertati che non siano presenti gocce di acqua all'interno della macchina al fine di prevenire gli incidenti causati dalla rottura o malfunzionamenti dei componenti elettrici.
6. Durante temporali con fulmini e tuoni, assicurarsi di interrompere il lavoro per motivi di sicurezza e di disinserire la spina di alimentazione al fine di prevenire gli incidenti causati dalla rottura o malfunzionamenti dei componenti elettrici.
7. A seconda delle condizioni delle onde radio, la macchina potrebbe generare rumore nella ricezione TV o radio. In questo caso, usare la TV o la radio posizionandole ben lontano dalla macchina.
8. Al fine di garantire la sicurezza nell'ambiente di lavoro, devono essere rispettate le leggi e le normative locali nel paese in cui è installata la macchina per cucire.
Nel caso in cui il controllo del rumore sia necessario, un protettore auricolare o altri articoli di protezione devono essere indossati in base alle leggi e alle normative vigenti.
9. Il prodotto, l'imballaggio relativo e l'olio lubrificante usato devono essere smaltiti in modo corretto in conformità alle leggi del paese in cui la macchina per cucire è utilizzata.

Precauzioni da adottare in modo da utilizzare la serie DDL-5550N in modo più sicuro



1. Non mettere la mano sotto la lama di taglio e l'ago quando la macchina viene accesa o durante il funzionamento della stessa.
2. Mentre la macchina è in funzione non introdurre la mano nel carter del tirafilo.
3. Togliere corrente prima di inclinare la testa della macchina o di rimuovere la protezione della cinghia e la cinghia a V.
4. Non portare mal dita, capelli o lembi di vestiarlo né in prossimità né sopra il volantino, sulla cinghia a V, sulla ruota dell'avvolgibobina oppure vicino al motore in funzione.
5. Se la macchina è provvista di copricinghia, salvadita, piastra di sicurezza e protezione barra ago non azionare mai la stessa senza tali protezioni.
6. Quando la testa della macchina viene inclinata fare attenzione a non lasciare le dita intrappolate sotto la testa stessa.
7. Il motore è estremamente silenzioso quando la macchina è in condizione di riposo. È necessario quindi non dimenticare di spegnere la macchina a termine del lavoro.



8. Per garantire la sicurezza non far funzionare mai la macchina sprovvista di messa a terra.
9. Prima di inserire/staccare la spina di alimentazione accertarsi che l'interruttore dell'alimentazione sia su OFF (SPENTO).
10. Durante tempeste con fulmini e tuoni, interrompere il lavoro e staccare la spina di alimentazione dalla presa come misura di sicurezza.
11. Se la macchina viene spostata da un luogo fresco a un luogo caldo potrebbero verificarsi fenomeni di condensa. In questo caso avviare la macchina dopo essersi accertati che non siano presenti gocce di acqua all'interno della macchina.
12. Fare attenzione alla manipolazione di questo prodotto in modo da non versare acqua od olio, da non sottoporre a urti con caduta, e cose simili poiché questo prodotto è uno strumento di precisione.



Attenzione

Inoltre, tenere presente che i dispositivi di sicurezza come "protezione occhi" e "salvadita" possono essere omessi negli schizzi, illustrazioni e figure inclusi nel Manuale d'Istruzioni per semplificare la spiegazione. Nell'uso pratico, non rimuovere mai i dispositivi di sicurezza.

CONTENTS

BEFORE OPERATION	1
1. SPECIFICATIONS	2
2. INSTALLATION	4
3. INSTALLING THE BELT COVER AND BOBBIN WINDER	5
4. ADJUSTING THE HEIGHT OF THE KNEE LIFTER	5
5. INSTALLING THE THREAD STAND	5
6. LUBRICATION	6
7. ATTACHING THE NEEDLE	8
8. SETTING THE BOBBIN INTO THE BOBBIN CASE	8
9. ADJUSTING THE STITCH LENGTH	8
10. PRESSER FOOT PRESSURE	9
11. THREADING THE MACHINE HEAD	9
12. THREAD TENSION	10
13. THREAD TAKE-UP SPRING	11
14. ADJUSTING THE THREAD TAKE-UP STROKE	12
15. NEEDLE-TO-HOOK RELATIONSHIP	13
16. HIGHT OF THE FEED DOG	14
17. MOTOR PULLEYS AND BELTS	15

SOMMAIRE

AVANT L'UTILISATION	1
1. CARACTERISTQUES	2
2. MISE EN PLACE	4
3. POSE DU COUVRE-COURROIE ET DU BOBINEUR	5
4. REGLAGE DE LA HAUTEUR DU RELEVEUR A GENOUILLERE	5
5. POSE DU BANC DE FIL	5
6. LUBRIFICATION	6
7. MISE EN PLACE DE L'AIGUILLE	8
8. MISE EN PLACE DE LA CANETTE DANS LA BOITE A CANETTE	8
9. REGLAGE DE LA LONGUEUR DES POINTS	8
10. PRESSION DU PIED-PRESSEUR	9
11. ENFILAGE DE LA TETE DE MACHINE	9
12. REGOLASIONE DELLA TENSIONE DEL FILO	10
13. NESSORT DU RELEVEUR DE FIL	11
14. REGLAGE DE LA COURSE DE RELEVAGE DU FIL	12
15. RELATION AIGUILLE-A-CROCHET GREIFER	13
16. HAUTEUR DE LA GRIFFE D'ENTRAINEMENT	14
17. POULIES ET COURROIES DE MOTEUR	16

INDICE

MISURE DI SICUREZZA DA ADOTTARE PRIMA DELLA ESSA IN FUNZIONE	1
1. CARATTERISTICHE TECNICHE	3
2. INSTALLAZIONE	4
3. POSIZIONAMENTO DEL COPRICINGHIA E DELL'AVVOLGIBOBINA	5
4. REGOLAZIONE DELL'ALTESSA DELLA LEVA A GINOCCHIO	5
5. MONTAGGIO DEL PORTAFILO	5
6. LUBRIFICAZIONE	6
7. POSIZIONAMENTO AGO	8

INHALT

VOR DER INBETRIEBNAHME	1
1. TECHNISCHE DATEN	2
2. INSTALLATION	4
3. INSTALLIEREN DER RIEMENABDE-CKUNG UND DES SPULENWICKLERS	5
4. EINSTELLEN DER HÖHE DES KNIEHEBERS	5
5. AUFSTELLEN DES GARNSTÄNDERS	5
6. SCHMIERUNG	6
7. ANBRINGEN DER NADEL	8
8. EINSETZEN DER SPULE IN DIE SPULENKAPSEL	8
9. EINSTELLEN DER STICHLÄNGE	8
10. DRÜCKREFUSSDRUCK	9
11. EINFÄDELN DES MASCHINEKOPFES	9
12. FADENSPANNUNG	10
13. FADENAUFNAHMEFEDER	11
14. EINSTELLEN DES FADENHEBELHUBS	12
15. SYNCHRONISIERUNG VON NADEL UND GREIFER	13
16. HÖHE DES TRANSPORTEURS	14
17. MOTOR-RIEMENSCHLEIBEN UND-RIEMEN	15

INDICE

ANTES DE FUNCIONAR	1
1. ESPECIFICACIONES	3
2. INSTALACION	4
3. MODO DE INSTALAR LA CUBIERTA DE LA CORREA Y LA DEVANADORA	5
4. AJUSTE DE LA ALTURA DEL ELEVADOR DE LA RODILLA	5
5. INSTALACION DEL PEDESTAL DEL HILO	5
6. LUBRICACION	6
7. COLOCACION DE LA AGUJA	8
8. COLOCACION DE LA BOBINA EN EL PORTABOBINAS	8
9. AJUSTE DEL LARGO DE LA PUNTADA	8
10. PRESION DEL PIE PRENSATELAS	9
11. ENHEBRADO DE LA MAQUINA	9
12. TENSION DEL HILO	10
13. RESORTE RECOGEDOR DEL HILO	11
14. AJUSTE DEL RECORRIDO DEL RECOGEDOR DEL HILO	12
15. RELACION ENTRE LA AGUJA Y EL GANCHO	14
16. ALTURA DE LOS DIENTES DE ARRASTRE	14
17. POLEAS Y CORREAS DEL MOTOR	16

8. INSERIMENTO DELLA BOBINA NELLA CAPSULA	8
9. REGOLAZIONE DELLA LUNGHEZZA DEL PUNTO	8
10. REGOLAZIONE DELLA PRESSIONE DEL PIEDINO PREMISTOFFA	9
11. DIAGRAMMA DI INFILATURA	9
12. TENSION DU FIL	10
13. MOLLA CHIUSURA PUNTO	11
14. REGOLAZIONE DELLA CORSA DEL GUIDAFILO	12
15. RELAZIONE FASE AGO/CROCHER	14
16. ALTEZZA DELLA GRIFFA DI TRASPORTO	14
17. PULEGGIA MOTORE E CINGHIA	17

BEFORE OPERATION



To avoid malfunction and damage of the machine, confirm the following.

- Before you put the machine into operation for the first time after the set-up, clean it thoroughly. Remove all dust gathering during transportation and oil it well.
- Confirm that the voltage has been correctly set. Confirm that the power plug has been properly connected to the power supply.
- Never use the machine in the state where the voltage type is different from the designated one.
- Confirm that the direction of rotation of the motor pulley is correct.
- Operate your machine at the normal sewing speed or less for the first month after the set-up.

VOR DER INBETRIEBNAHME



Um Funktionsstörungen und Beschädigung der Maschine zu vermeiden, sollten Sie die folgenden Punkte beachten.

- Reinigen Sie die Maschine gründlich, bevor Sie sie nach der Aufstellung erstmalig in Betrieb nehmen. Säubern Sie die Maschine von jeglichem Staub, der sich während des Transports angesammelt hat, und ölen Sie sie gut.
- Vergewissern Sie sich, daß die Spannung richtig eingestellt ist. Vergewissern Sie sich, daß der Netzstecker einwandfrei an die Stromversorgung angeschlossen ist.
- Betreiben Sie die Maschine niemals mit einer anderen als der vorgeschriebenen Spannung.
- Vergewissern Sie sich, daß die Drehrichtung der Motorriemenscheibe korrekt ist.
- Betreiben Sie die Nähmaschine im ersten Monat nach der Einrichtung mit normaler Geschwindigkeit oder langsamer.

AVANT L'UTILISATION



Pour protéger la machine contre les anomalies et dommages, vérifier les points suivants:

- Avant la première mise en service qui suit l'installation, nettoyer entièrement la machine. Enlever toute la poussière accumulée durant le transport et bien huiler la machine.
- S'assurer que la tension a été correctement réglée. S'assurer que la fiche secteur est correctement branchée à l'alimentation.
- Ne jamais utiliser la machine avec un type de tension différent de celui spécifié.
- S'assurer que le sens de rotation de la poulie du moteur est correct.
- Opérer votre machine à la vitesse de couture normale ou à une vitesse inférieure durant le premier mois après l'installation.

ANTES DE FUNCIONAR



Para evitar funcionamientos defectuosos de la máquina de coser, confirme lo siguiente:

- Antes de operar por primera vez su máquina después de instalada, límpiela bien. Quite todo el polvo acumulado durante el transporte y lubriquéla bien con aceite.
- Verifique que la tensión está ajustada correctamente. Confirme que el enchufe de la corriente eléctrica está bien conectado a la fuente de alimentación.
- Nunca use la máquina de coser en el estado en que el tipo de tensión sea diferente del designado.
- Confirme que la dirección rotacional de la polea del motor es la correcta.
- Opere la máquina recién instalada a una velocidad de p.p.m. inferior a la normal durante un mes.

MISURE DI SICUREZZA DA ADOTTARE PRIMA DELLA MESSA IN FUNZIONE



Per evitare malfunzionamenti e danni alla macchina provvedere a quanto segue:

- Prima di azionare la macchina per la prima volta dopo la messa a punto pulire la stessa attentamente. Rimuovere tutta la polvere che si sia depositata durante il trasporto ed oliare bene la macchina.
- Assicurarsi che la tensione sia impostata correttamente. Verificare che la spina di alimentazione sia stata inserita correttamente nella presa di corrente.
- Non utilizzare mai la macchina in condizioni in cui la tensione di alimentazione sia diversa dalla tensione di funzionamento indicata.
- Controllare il corretto senso di rotazione della puleggia del motore.
- Far funzionare la macchina alla velocità di cucitura normale o minore per il primo mese dopo la messa a punto.

1. SPECIFICATIONS

	DDL-5550N	DDL-5550NA	DDL-5550NH
Application	For medium-weight materials	For light-weight materials	For heavy-weight materials
Sewing speed	Max. 5,500 sti/min	Max. 4,000 sti/min	Max. 4,000 sti/min
Stitch length	Max. 5 mm	Max. 4 mm	Max. 5 mm
Presser foot lift (by knee lifter)	Standard 10 mm Max. 13 mm	Max. 9 mm	Standard 10 mm Max. 13 mm
Needle	Schmetz 134 #65 to #110 DBx1 #9 to #18	Schmetz 134 #65 to #75 DAX1 #9 to #11	Schmetz 134 #125 to #160 DBx1 #20 to #23
Lubricating oil	JUKI New Defrix Oil No.1		
Noise	- Equivalent continuous emission sound pressure level (L_{pA}) at the workstation: A-weighted value of 83.5 dB; (Includes $K_{pA} = 2.5$ dB); according to ISO 10821- C.6.2 -ISO 11204 GR2 at 5,000 sti/min. - Sound power level (L_{WA}): A-weighted value of 88.0 dB; (Includes $K_{WA} = 2.5$ dB); according to ISO 10821- C.6.2 -ISO 3744 GR2 at 5,000 sti/min.		

1. TECHNISCHE DATEN

	DDL-5550N	DDL-5550NA	DDL-5550NH
Anwendung	Für mittelschwere Stoffe	Für leichte Stoffe	Für schwere Stoffe
Nähgeschwindigkeit	Max. 5.500 sti/min	Max. 4.000 sti/min	Max. 4.000 sti/min
Stichlänge	Max. 5 mm	Max. 4 mm	Max. 5 mm
Drückerfußhub (mit Knieheber)	Standard 10 mm Max. 13 mm	Max. 9 mm	Standard 10 mm Max. 13 mm
Nadel	Schmetz 134 #65 bis #110 DBx1 #9 bis #18	Schmetz 134 #65 bis #75 DAX1 #9 bis #11	Schmetz 134 #125 bis #160 DBx1 #20 bis #23
Schmieröl	JUKI New Defrix Oil No.1		
Lärm	- Entsprechender kontinuierlicher Emissions-Schalldruckpegel (L_{pA}) am Arbeitsplatz: A-bewerteter Wert von 83,5 dB; (einschließlich $K_{pA} = 2,5$ dB); gemäß ISO 10821- C.6.2 -ISO 11204 GR2 bei 5.000 sti/min. - Schalleistungspegel (L_{WA}): A-bewerteter Wert von 88,0 dB; (einschließlich $K_{WA} = 2,5$ dB); gemäß ISO 10821- C.6.2 -ISO 3744 GR2 bei 5.000 sti/min.		

1. CARACTERISTQUES

	DDL-5550N	DDL-5550NA	DDL-5550NH
Application	Tissus de poids moyen	Tissus légers	Tissus lourds
Vitesse	Maxi. 5.500 sti/min	Maxi. 4.000 sti/min	Maxi. 4.000 sti/min
Longueur des points	Maxi. 5 mm	Maxi. 4 mm	Maxi. 5 mm
Relevage du pied- presseur (par genouillère)	Standard 10 mm Maxi. 13 mm	Maxi. 9 mm	Standard 10 mm Maxi. 13 mm
Aiguille	Schmetz 134 n°65 à n°110 DBx1 n°9 à n°18	Schmetz 134 n°65 à n°75 DAX1 n°9 à n°11	Schmetz 134 n°125 à n°160 DBx1 n°20 à n°23
Huile lubrifiante	JUKI New Defrix Oil No.1		
Bruit	- Niveau de pression acoustique d'émission continu équivalent (L_{pA}) au poste de travail : Valeur pondérée A de 83,5 dB; (comprend $K_{pA} = 2,5$ dB); selon ISO 10821- C.6.2 -ISO 11204 GR2 à 5.000 sti/min. - Niveau de puissance acoustique (L_{WA}) ; Valeur pondérée A de 88,0 dB; (comprend $K_{WA} = 2,5$ dB); selon ISO 10821- C.6.2 -ISO 3744 GR2 à 5.000 sti/min.		

1. ESPECIFICACIONES

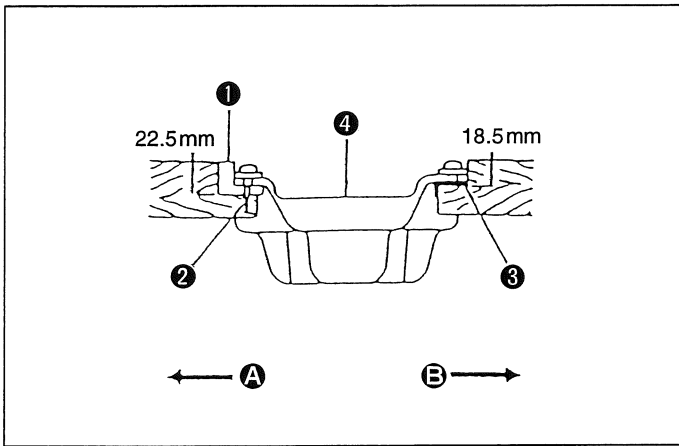
	DDL-5550N	DDL-5550NA	DDL-5550NH
Aplicación	Para materiales de peso medio	Para materiales ligeros	Para materiales pesados
Velocidad de coser	Máx. 5.500 sti/min	Máx. 4.000 sti/min	Máx. 4.000 sti/min
Largo de la puntada	Máx. 5 mm	Máx. 4 mm	Máx. 5 mm
Elevación del pie presatelas (mediante el elevador de la rodilla)	10 mm (estándar) 13 mm (máx.)	9 mm (máx.)	10 mm (estándar) 13 mm (máx.)
Aguja	Schmetz 134 #65 a #110 DBx1 #9 a #18	Schmetz 134 #65 a #75 DAX1 #9 a #11	Schmetz 134 #125 a #160 DBx1 #20 a #23
Aceite lubricante	JUKI New Defrix Oil No.1		
Ruido	<ul style="list-style-type: none"> - Nivel de presión de ruido de emisión continua equivalente (L_{pA}) en el puesto de trabajo: Valor ponderado A de 83,5 dB (incluye $K_{pA} = 2,5$ dB); de acuerdo con ISO 10821-C.6.2 - ISO 11204 GR2 a 5.000 sti/min. - Nivel de potencia acústica (L_{WA}): Valor ponderado A de 88,0 dB (incluye $K_{WA} = 2,5$ dB); de acuerdo con ISO 10821-C.6.2 - ISO 3744 GR2 a 5.000 sti/min. 		

1. CARATTERISTICHE TECNICHE

	DDL-5550N	DDL-5550NA	DDL-5550NH
Applicazione	Per materiali di meia pesantezza	Per materiali leggeri	Per materiali pesanti
Velocità di cucitura	5.500 sti/min max	4.000 sti/min max	4.000 sti/min max
Lunghezza punto	5 mm max	4 mm max	5 mm max
Leva di sollevamento del piedino premistoffa (tramite leva a ginocchio)	10 mm (standard) 13 mm (max)	9 mm (max)	10 mm (standard) 13 mm (max)
Ago	Schmetz 134 #65 a #110 DBx1 #9 a #18	Schmetz 134 #65 a #75 DAX1 #9 a #11	Schmetz 134 #125 a #160 DBx1 #20 a #23
Olio lubrificante	JUKI New Defrix Oil No.1		
Rumorosità	<ul style="list-style-type: none"> - Livello di pressione acustica (L_{pA}) dell'emissione continua equivalente dell'ambiente lavorativo : Valore ponderato A di 83,5 dB ; (Include $K_{pA} = 2,5$ dB); secondo la norma ISO 10821- C.6.2 -ISO 11204 GR2 a 5.000 sti/min - Livello di potenza acustica (L_{WA}) ; Valore ponderato A di 88,0 dB; (Include $K_{WA} = 2,5$ dB) ; secondo la norma ISO 10821- C.6.2 -ISO 3744 GR2 a 5.000 sti/min 		

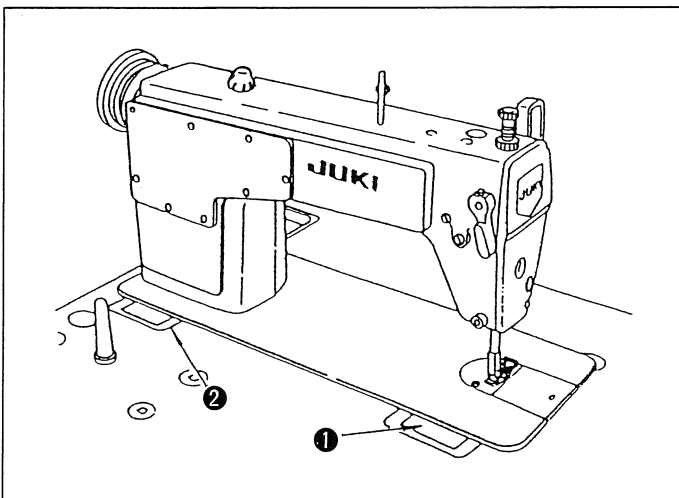
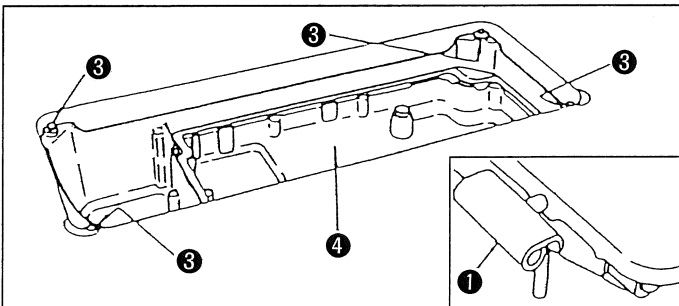
2. INSTALLATION

- 1) The oil pan should be installed in such a way that it is securely held in position by the four corners of the machine table groove.
- 2) Fix two rubber seats **1** on side **A** (operator's side) using nails **2** as illustrated above. Fix two cushion seats **3** on side **B** (hinged side) using a rubber-based adhesive. Then place oil pan **4** on the fixed seats.



2. INSTALACION

- 1) El Cárter del aceite debe descansar en las 4 esquinas de la abertura de la mesa de la máquina.
- 2) Como muestra la figura, coloque almohadillas de goma **1** en el lado **A** (lado de la operaria) usando clavos **2**. Fije las almohadillas de goma **3** en el lado B (lado de la bisagra) usando un adhesivo con base de goma. Luego coloque el cárter del aceite **4** en las almohadillas.



2. INSTALLATION

- 1) Die Ölwanne ist so zu installieren, daß sie einwandfrei von den vier Ecken der Maschinentisch-Vertiefung gehalten wird.
- 2) Zwei Gummisitze **1** gemäß der obigen Abbildung mittels Nägeln **2** auf Seite **A** (Bedienerseite) befestigen. Zwei Dämpfersitze **3** mittels eines Gummiklebers auf Seite **B** (Scharnierseite) befestigen. Dann die Ölwanne **4** auf die befestigten Sitze legen.

2. MISE EN PLACE

- 1) Poser le réservoir d'huile de façon qu'il soit correctement maintenu en position par les quatre coins de l'ouverture de la table.
- 2) Fixer les tampons en caoutchouc **1** du côté **A** (côté utilisateur) au moyen de clous **2**, de la manière illustrée ci-dessus. Poser aussi les tampons de support **3** sur le côté **B** (côté de la charnière) avec du ruban adhésif à base de caoutchouc. Placer ensuite le réservoir d'huile **4** sur les tampons fixes.

2. INSTALLAZIONE

- 1) La vaschetta dell'olio dovrebbe essere installata in un modo tale che essa sia saldamente tenuta a posto sui quattro angoli della scanalatura della tavola della macchina.
- 2) Fissare i due tamponi di gomma **1** sul lato **A** (lato dell'operatore) per mezzo di chiodi **2** come qui sopra indicato. Fissare due tamponi di supporto **3** sul lato **B** (lato provvisto di cerniere) tramite adesivo. Posizionare quindi la vaschetta dell'olio **4** sui tamponi fissati.

- 3) Fit hinge **1** into the opening in the machine bed, and fit the machine head to table rubber hinge **2** before placing the machine head on cushions **3** on the four corners.

- 3) Das Scharnier **1** in die Öffnung im Maschinenbett einpassen, dann den Maschinenkopf in das Gummischarnier **2** des Tisches einsetzen, bevor er auf die Dämpfer **3** in den vier Ecken abgesetzt wird.

- 3) Introduire la charnière **1** dans l'orifice du socle, et fixer la tête de machine sur la charnière de table en caoutchouc **2** avant de placer la tête de machine sur les tampons **3** des quatre coins.

- 3) Para colocar la máquina, primero introduzca la bisagra **1** en la abertura de la base de la máquina, y luego alinee la máquina con las bisagras de goma de la mesa **2** antes de apoyar la máquina en las almohadillas **3** puestas en las 4 esquinas.

- 3) Inserire la cerniera **1** nell'apertura della base della macchina e, prima di posizionare la testa della macchina sui tamponi di supporto **3** ai quattro angoli, fissare la stessa alla cerniera di gomma del piano **2**.



Carry out the following steps of procedure after the power switch has been turned OFF.



Avant d'effectuer les opérations suivantes, mettre l'interrupteur d'alimentation en position d'arrêt.



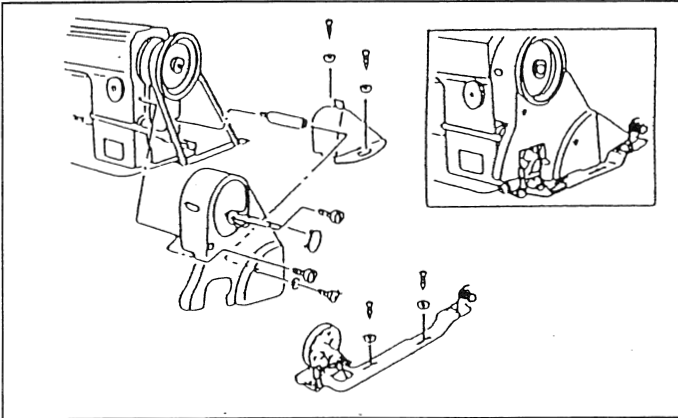
Prima di effettuare le seguenti operazioni assicurarsi che l'interruttore dell'alimentazione sia in posizione OFF (SPENTO).



Die folgenden Schritte nach Ausschalten des Netzschalters ausführen.



Ejecute los siguientes pasos y procedimiento después de desconectar de la máquina de coser la corriente eléctrica.



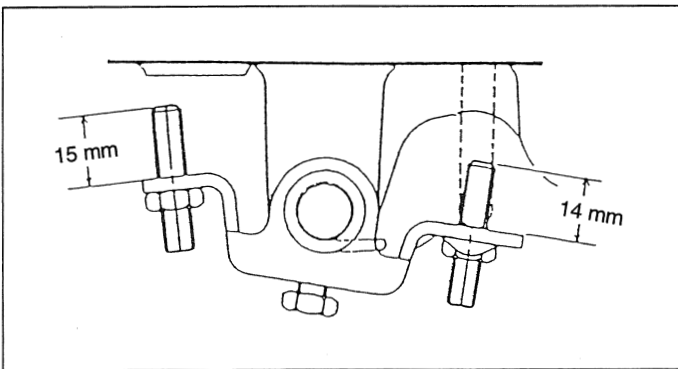
3. INSTALLING THE BELT COVER AND THE BOBBIN WINDER

3. INSTALLIEREN DER RIEMENABDECKUNG UND DES SPULENWICKLERS

3. POSE DU COUVRE-COURROIE ET DU BOBINEUR

3. MODO DE INSTALAR LA CUBIERTA DE LA CORREA Y LA DEVANADORA

3. POSIZIONAMENTO DEL COPRICINGHIA E DELL'AVVOLGIBOBINA



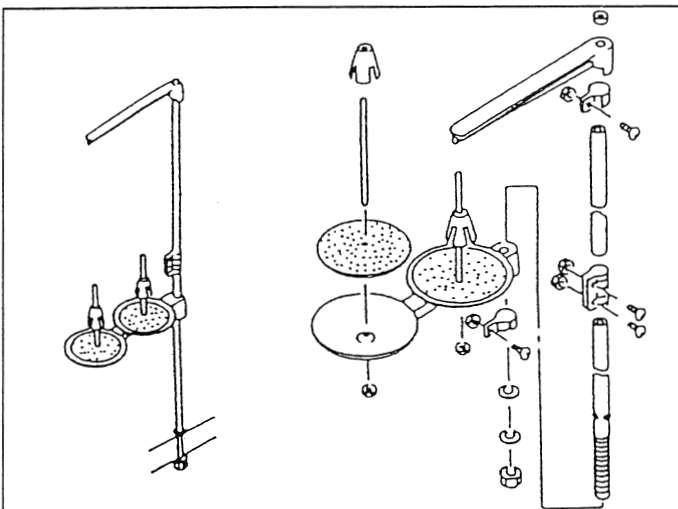
4. ADJUSTING THE HEIGHT OF THE KNEE LIFTER

4. EINSTELLEN DER HÖHE DES KNIEHEBERS

4. REGLAGE DE LA HAUTEUR DU RELEVEUR A GENOUILLERE

4. AJUSTE DE LA ALTURA DEL ELEVADOR DE LA RODILLA

4. REGOLAZIONE DELL'ALTEZZA DELLA LEVA A GINOCCHIO



5. INSTALLING THE THREAD STAND

5. AUFSTELLEN DES GARNSTÄNDERS

5. POSE DU BANC DE FIL

5. INSTALACION DEL PEDESTAL DEL HILO

5. MONTAGGIO DEL PORTAFILO



Carry out the following steps of procedure after the power switch has been turned OFF.



Avant d'effectuer les opérations suivantes, mettre l'interrupteur d'alimentation en position d'arrêt.



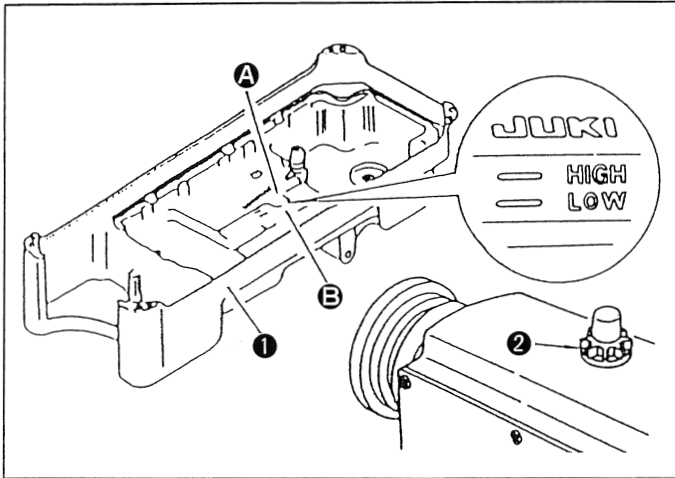
Prima di effettuare le seguenti operazioni assicurarsi che l'interruttore dell'alimentazione sia in posizione OFF (SPENTO).



Die folgenden Schritte nach Ausschalten des Netzschalters ausführen.



Ejecute los siguientes pasos y procedimiento después de desconectar de la máquina de coser la corriente eléctrica.



6. SCHMIERUNG

1. Informationen zur Schmierung

- 1) Die Ölwanne ❶ bis zur HIGH-Marke ❸ mit JUKI New Defrix Oil No. 1 füllen.
- 2) Wenn der Ölstand unter die LOW-Marke ❷ sinkt, ist die Ölwanne mit dem vorgeschriebenen Öl aufzufüllen.
- 3) Wenn die Maschine nach der Schmierung in Betrieb genommen wird, zeigen sich bei ausreichender Schmierung Ölspritzer auf dem Ölkontrollfenster ❷.

(Vorsicht)

1. Wenn Sie eine neue Maschine nach der Installation oder eine längere Zeit unbenutzte Nähmaschine in Betrieb nehmen, lassen Sie die Maschine bei 3.000 bis 3.500 sti/min etwa 10 Minuten lang einlaufen.
2. Wenn die Maschine ständig mit niedriger Drehzahl (2.000 sti/min oder weniger) benutzt wird, sollte sie einmal pro Woche für etwa 5 Minuten mit hoher Drehzahl (4.000 sti/min oder mehr) betrieben werden. Verwenden Sie sauberes Öl, und wenn das Öl verschmutzt wird, ersetzen Sie es so bald wie möglich durch sauberes Öl. Wenn die Maschine mit verschmutztem Öl weiter benutzt wird, werden Störungen verursacht.

6. LUBRICACION

1. Información sobre la lubricación

- 1) Llène el cárter del aceite ❶ con aceite JUKI New Defrix Oil No. 1, hasta la marca "HIGH" ❸.
- 2) Si el nivel del aceite baja de la marca "LOW" ❷, rellene el cárter con el aceite especificado.
- 3) Si el sistema de lubricación está funcionando bien, al hacer funcionar la máquina, puede verse salpicar el aceite a través de la mirilla del aceite ❷.

(Precaución)

1. Cuando use la máquina por primera vez después de su instalación y preparación o después que no la haya usado por mucho tiempo, haga funcionar la máquina a una velocidad de 3.000 sti/min a 3.500 sti/min durante unos 10 minutos.
2. Cuando se utiliza la máquina continuamente a baja velocidad (2.000 sti/min o menos), haga que la máquina marche en vacío a alta velocidad (4.000 sti/min o más) durante aproximadamente 5 minutos una vez a la semana. Utilice aceite limpio. Cuando se ensucia el aceite, reemplácelo con aceite limpio a la brevedad posible. Si continúa utilizando la máquina con aceite sucio, esto causará problemas.

6. LUBRICATION

1. Information on lubrication

- 1) Fill oil pan ❶ with JUKI New Defrix Oil No. 1 up to HIGH mark ❸.
- 2) When the oil level lowers below LOW mark ❷, refill the oil pan with the specified oil.
- 3) When you operate the machine after lubrication, you will see splashing oil through oil slight window ❷ if the lubrication is adequate.

(Caution)

1. When you first operate your machine after setup or after an extended period of disuse, run your machine at 3,000 sti/min to 3,500 sti/min. for about 10 minutes for the purpose of break-in.
2. When the machine is continuously used at a low speed (2,000 sti/min or less), make the machine run idle at a high speed (4,000 sti/min or more) for approximately 5 minutes once a week. Use clean oil and when the oil becomes dirty, replace it with clean oil as soon as possible. When you continue to use the machine with dirty oil, the trouble will be caused.

6. LUBRIFICATION

1. Information relative à la lubrification

- 1) Remplir le réservoir d'huile ❶ avec de l'huile JUKI New Defrix Oil No. 1, jusqu'au repère de niveau maximum (HIGH) ❸.
- 2) Lorsque l'huile est proche du repère de niveau minimum (LOW) ❷, refaire le plein d'huile dans le réservoir.
- 3) Lorsque le réservoir d'huile est plein et que l'on met la machine en marche, on doit voir le barbotage de l'huile par le regard d'huile ❷, si la lubrification est adéquate.

(Attention)

1. Si la machine est neuve ou est restée longtemps inutilisée, il est nécessaire de la roder en la faisant tourner entre 3.000 et 3.500 sti/min pendant 10 minutes environ.
2. Lorsqu'on utilise continuellement la machine à petite vitesse (2.000 sti/min ou moins), la faire tourner à vide à grande vitesse (4.000 sti/min ou plus) pendant 5 minutes par semaine environ. Utiliser de l'huile propre; lorsque l'huile est souillée, la renouveler par de l'huile propre dès que possible. Si l'on continue à utiliser la machine avec de l'huile souillée, il en résultera des problèmes.

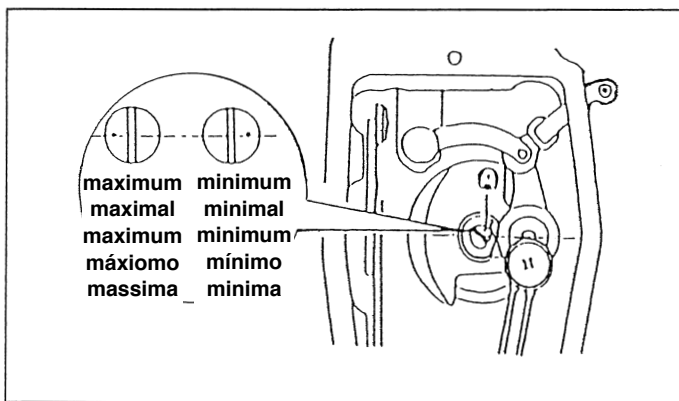
6. LUBRIFICAZIONE

1. Informazioni relative alla lubrificazione

- 1) Riempire la vaschetta dell'olio ❶ con olio JUKI New Derix No. 1 fino alla tacca di riferimento HIGH ❸.
- 2) Quando il livello dell'olio scende al di sotto della tacca LOW ❷, rabboccare la vaschetta dell'olio con l'apposito olio.
- 3) Ad azionamento della macchina, dopo le operazioni di lubrificazione, e se la lubrificazione è adeguata, usciranno spruzzi di olio attraverso l'indicatore visivo del livello dell'olio ❷.

(Attenzione)

1. Prima di attivare la macchina per cucire per la prima volta dopo l'installazione o dopo un lungo periodo di inattività, fare girare la macchina ad una velocità compresa tra 3.000 sti/min e 3.500 sti/min per 10 minuti circa a scopo di rodaggio.
2. Quando si usa la macchina continuamente a bassa velocità (2.000 sti/min o meno), fare girare a vuoto la macchina per cucire ad alta velocità (4.000 sti/min o più) per circa 5 minuti una volta alla settimana. Usare l'olio pulito e quando l'olio si è sporcato, sostituirlo con l'olio pulito il più presto possibile. Se si continua a usare la macchina con l'olio sporco, l'inconveniente sarà causato.



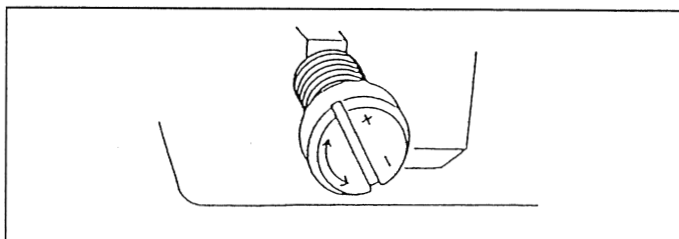
2. Adjusting the amount of oil supplied to the face plate parts.

2. Einstellen der Ölmenge zur Versorgung der Stirnplattenteile

2. Réglage du ravitaillement en huile des organes de la plaque frontale

2. Ajuste de la cantidad de aceite suministrada a los componentes de la placa frontal.

2. Regolazione della quantità di olio lubrificante sui componenti della parte frontale



3. Adjusting the amount of oil in the hook

3. Einstellen der Ölmenge im Greifer

3. Réglage de la quantité d'huile dans le crochet

3. Ajuste de la cantidad de aceite en el gancho

3. Regolazione della quantità di olio nel crochet



Carry out the following steps of procedure after the power switch has been turned OFF.



Avant d'effectuer les opérations suivantes, mettre l'interrupteur d'alimentation en position d'arrêt.



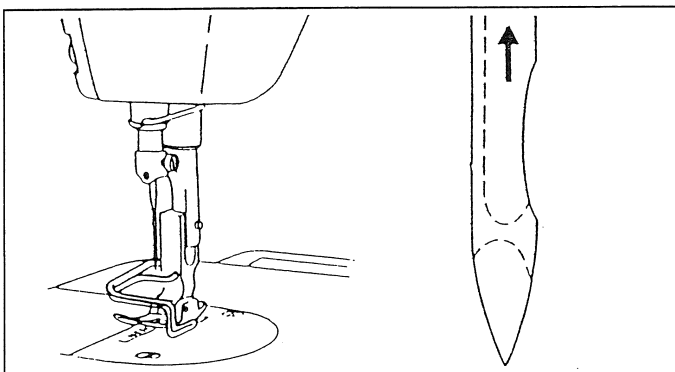
Prima di effettuare le seguenti operazioni assicurarsi che l'interruttore dell'alimentazione sia in posizione OFF (SPENTO).



Die folgenden Schritte nach Ausschalten des Netzschalters ausführen.



Ejecute los siguientes pasos y procedimiento después de desconectar de la máquina de coser la corriente eléctrica.



7. ATTACHING THE NEEDLE

7. ANBRINGEN DER NADEL

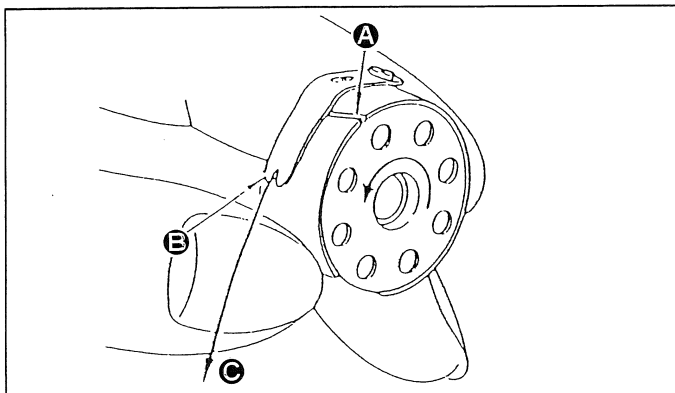
7. MISE EN PLACE DE L'AIGUILLE

7. COLOCACION DE LA AGUJA

7. POSIZIONAMENTO AGO

8. SETTING THE BOBBIN INTO THE BOBBIN CASE

- 1) Install the bobbin in the bobbin case so that the thread wound direction is counterclockwise.
- 2) Pass the thread through thread slit **A**, and pull the thread in direction **B**. By so doing, the thread will pass under the tension spring the come out from notch **B**.
- 3) Check that the bobbin rotates in the direction of the arrow when thread **C** is pulled.



8. EINSETZEN DER SPULE IN DIE SPULENKAPSEL

- 1) Die Spule so in die Spulenkapsel einsetzen, daß der Faden im Gegenuhrzeigersinn aufgewickelt wird.
- 2) Den Faden durch den Fadenschlits **A** führen und in Richtung **B** ziehen. Dadurch wird der Faden unter der Spannfeder hindurchgeführt und kommt aus der Kerbe **B** heraus.
- 3) Die Spule muß sich in Pfeilrichtung drehen, wenn der Faden **C** gezogen wird.

8. MISE EN PLACE DE LA CANETTE DANS LA BOITE A CANETTE

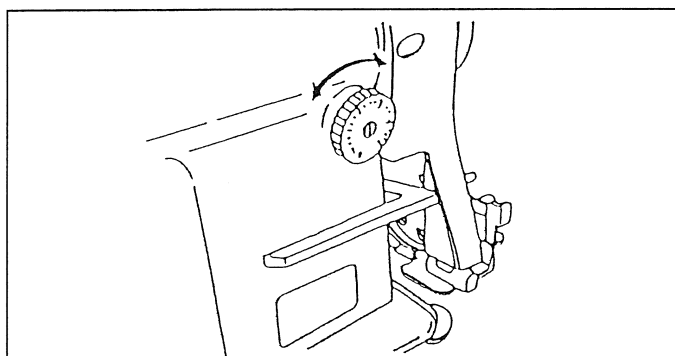
- 1) Poser la canette dans la boîte à canette de manière que le sens de bobinage du fil soit le sens inverse des aiguilles d'une montre.
- 2) Faire passer le fil à travers la fente de fil **A** et tirer le fil dans la direction **B**. Par cette opération, le fil passera sous le ressort de tension et il sortira par l'encoche **B**.
- 3) Vérifier que la canette tourne dans le sens de la flèche lorsque le fil **C** est tiré.

8. COLOCACION DE LA BOBINA EN EL PORTABOBINAS

- 1) Instale la bobina en el portabobinas de modo que el hilo se enrolle en la dirección contraria al sentido de las agujas del reloj.
- 2) Pase el hilo por la rendija para el hilo **A** y tírelo en la dirección **B**. Al hacerlo, el hilo pasará por debajo del resorte de tensión y saldrá por la rendija **B**.
- 3) Tire el hilo **C** y compruebe que la bobina gira en la dirección que muestra la flecha.

8. INSERIMENTO DELLA BOBINA NELLA CAPSULA

- 1) Tenere la bobina in modo che l'apertura del filo sia rivolta verso destra, vista dalla parte dell'operatore, e inserire la bobina nella capsula.
- 2) Far passare il filo nella scanalatura della capsula **A**, e tirare il filo nella direzione **B**. Con questa operazione il filo passerà sotto la molletta di tensione per uscire dal solco **B**.
- 3) Assicurarsi che la bobina ruoti nel senso di rotazione indicato dalla freccia quando il filo **C** viene tirato.



9. ADJUSTING THE STITCH LENGTH

9. EINSTELLEN DER STICHLÄNGE

9. REGLAGE DE LA LONGUEUR DES POINTS

9. ADJUSTE DEL LARGO DE LA PUNTADA

9. REGOLAZIONE DELLA LUNGHEZZA DEL PUNTO



Carry out the following steps of procedure after the power switch has been turned OFF.



Die folgenden Schritte nach Ausschalten des Netzschalters ausführen.



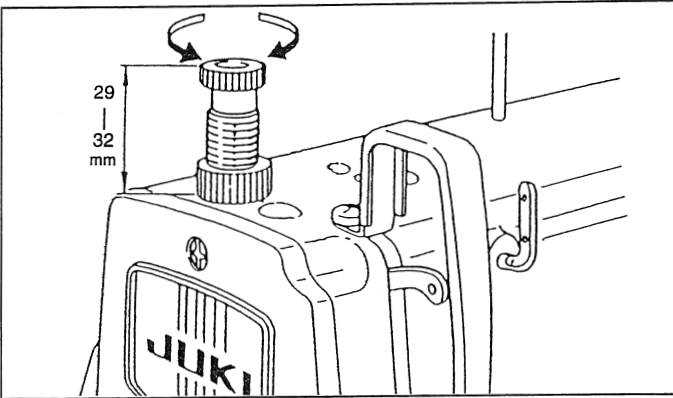
Avant d'effectuer les opérations suivantes, mettre l'interrupteur d'alimentation en position d'arrêt.



Ejecute los siguientes pasos y procedimiento después de desconectar de la máquina de coser la corriente eléctrica.



Prima di effettuare le seguenti operazioni assicurarsi che l'interruttore dell'alimentazione sia in posizione OFF (SPENTO).



10. PRESSER FOOT PRESSURE

10. DRÜCKFUSSDRUCK

10. PRESSION DU PIED-PRESSEUR

10. PRESION DEL PIE PRENSATELAS

10. REGOLAZIONE DELLA PRESSIONE DEL PIEDINO PREMISTOFFA



Carry out the following steps of procedure after the power switch has been turned OFF.



Die folgenden Schritte nach Ausschalten des Netzschalters ausführen.



Avant d'effectuer les opérations suivantes, mettre l'interrupteur d'alimentation en position d'arrêt.



Ejecute los siguientes pasos y procedimiento después de desconectar de la máquina de coser la corriente eléctrica.



Prima di effettuare le seguenti operazioni assicurarsi che l'interruttore dell'alimentazione sia in posizione OFF (SPENTO).

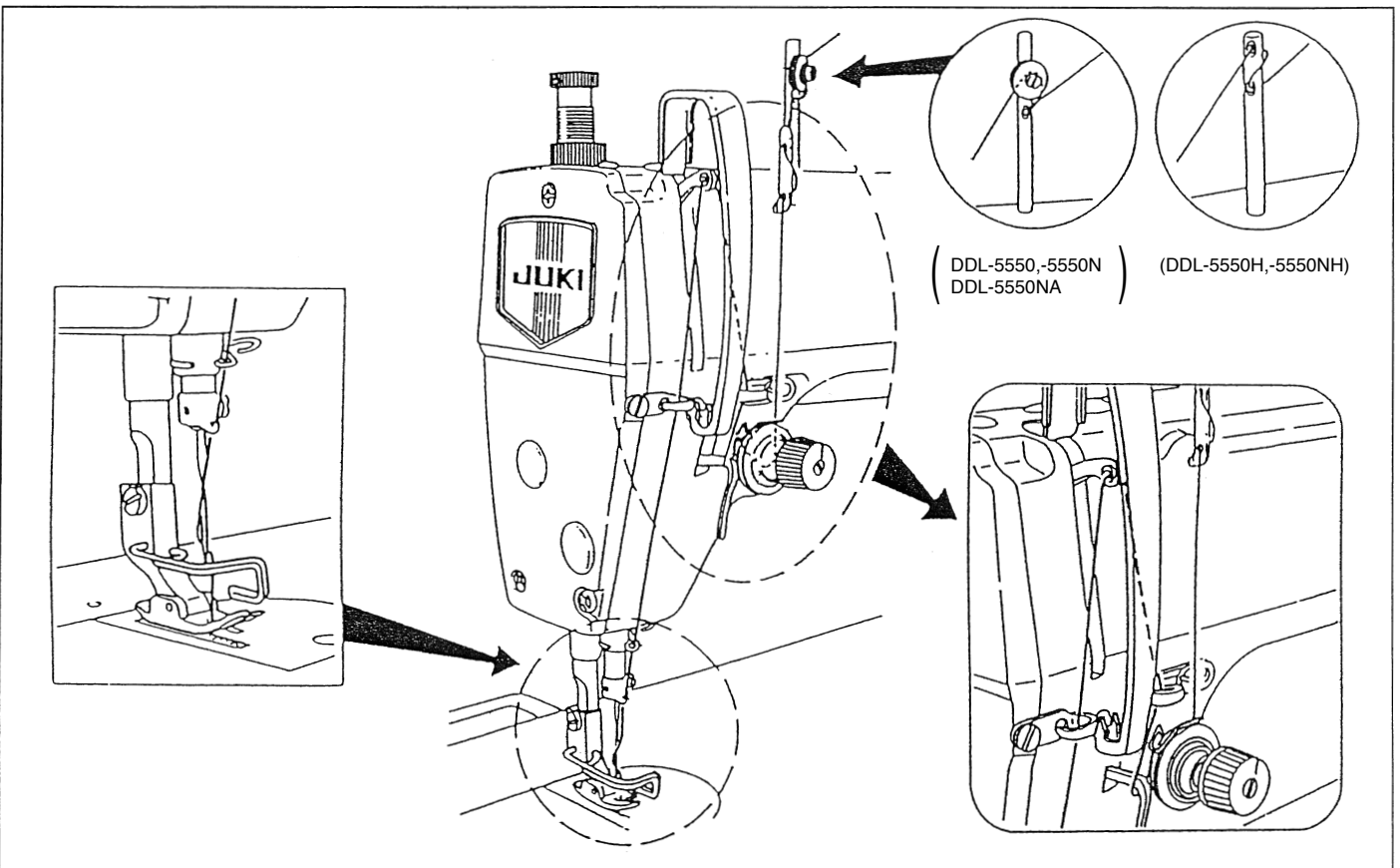
11. THREADING THE MACHINE HEAD

11. EINFÄDELN DES MASCHINEKOPFES

11. EINFILAGE DE LA TÊTE DE MACHINE

11. ENHEBRADO DE LA MAQUINA

11. DIAGRAMMA DI INFILATURA





Carry out the following steps of procedure after the power switch has been turned OFF.



Avant d'effectuer les opérations suivantes, mettre l'interrupteur d'alimentation en position d'arrêt.



Prima di effettuare le seguenti operazioni assicurarsi che l'interruttore dell'alimentazione sia in posizione OFF (SPENTO).



Die folgenden Schritte nach Ausschalten des Netzschalters ausführen.



Ejecute los siguientes pasos y procedimiento después de desconectar de la máquina de coser la corriente eléctrica.

12. THREAD TENSION

1. Adjusting the needle thread tension

- 1) Adjust the needle thread tension using tension adjust nut ① according to the sewing specifications.
- 2) As you turn nut ① clockwise (in direction A), the needle thread tension will increase.
- 3) As you turn nut ① counterclockwise (in direction B), the tension will decrease.

2. Adjusting the bobbin thread tension

- 1) As you turn tension adjust screw ② clockwise (in direction C), the bobbin thread tension will increase.
- 2) As you turn screw ② counterclockwise (in direction D), the bobbin thread tension will decrease.

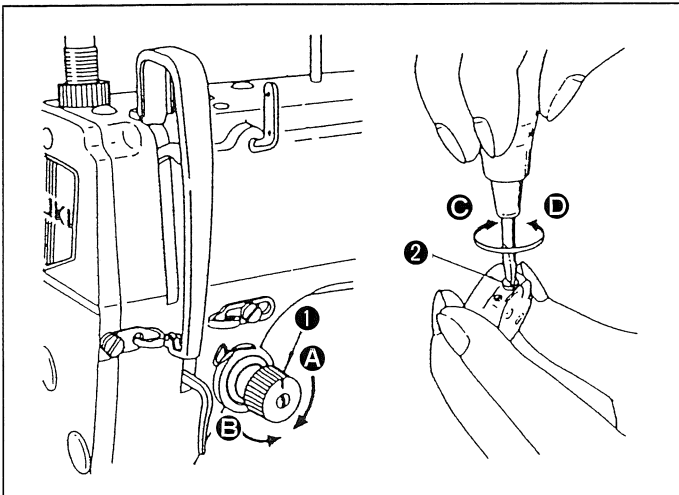
12. FADENSPANNUNG

1. Einstellen der Nadelfadenspannung

- 1) Die Nadelfadenspannung ist mittels der Spannungseinstellmutter ① entsprechend den Nähspezifikationen einzustellen.
- 2) Durch Drehen der Mutter ① im Uhrzeigersinn (in Richtung A) wird die Nadelfadenspannung erhöht.
- 3) Durch Drehen der Mutter ① im Gegenuhrzeigersinn (in Richtung B) wird die Spannung verringert.

2. Einstellen der Spulenfadenspannung

- 1) Durch Drehen der Spannungseinstellschraube ② im Uhrzeigersinn (in Richtung C) wird die Spulenfadenspannung erhöht.
- 2) Durch Drehen der Schraube ② im Gegenuhrzeigersinn (in Richtung D) wird die Spulenfadenspannung verringert.



12. TENSION DEL HILO

1. Ajuste de la tensión del hilo de la aguja

- 1) Ajuste la tensión del hilo usando la tuerca de ajuste de la tensión ①, de acuerdo con las especificaciones de la costura.
- 2) A medida que Ud. gira la tuerca ① en el sentido del movimiento de los punteros del reloj (en la dirección A), la tensión del hilo de la aguja aumenta.
- 3) A medida que Ud. gira la tuerca ① en el sentido opuesto al movimiento de los punteros del reloj (en la dirección B), la tensión disminuirá.

2. Ajuste de la tensión del hilo de la bobina

- 1) A medida que Ud. gira el tornillo de ajuste de la tensión ② en el sentido del movimiento de los punteros del reloj (en la dirección C), aumentará la tensión del hilo de la bobina.
- 2) A medida que Ud. gira el tornillo ② en el sentido opuesto al movimiento de los punteros del reloj (en la dirección D), disminuirá la tensión del hilo de la bobina.

12. TENSION DU FIL

1. Réglage de la tension du fil d'aiguille

- 1) Ajuster la tension du fil d'aiguille au moyen de l'écrou de réglage de tension ①, en fonction des spécifications de couture.
- 2) Lorsqu'on tourne l'écrou ① dans le sens des aiguilles d'une montre (direction A), la tension du fil d'aiguille augmente.
- 3) Lorsqu'on tourne l'écrou ① dans le sens inverse des aiguilles d'une montre (direction B), la tension diminue.

2. Réglage de la tension du fil de canette

- 1) Lorsqu'on tourne la vis de réglage de tension du fil ② dans le sens des aiguilles d'une montre (direction C), la tension du fil de canette augmentera.
- 2) Lorsqu'on tourne la vis ② dans le sens inverse des aiguilles d'une montre (direction D), la tension du fil de canette diminuera.

12. REGOLAZIONE DELLA TENSIONE DEL FILO

1. Regolazione della tensione del filo

- 1) Regolare la lunghezza del filo che rimane sull'ago tramite il dado tensione del filo ① in base alle specifiche di cucitura.
- 2) Ruotando il dado ① in senso orario (nel senso indicato dalla freccia A), si aumenterà la tensione del filo dell'ago.
- 3) Ruotando il dado ① in senso antiorario (nel senso indicato dalla freccia B), la tensione del filo sarà minore.

2. Regolazione della tensione del filo della bobina

- 1) Ruotando la vite di regolazione della tensione ② in senso orario (nel senso indicato dalla freccia C), si aumenterà la tensione del filo della bobina.
- 2) Ruotando la vite ② di regolazione in senso antiorario (nel senso indicato dalla freccia D), si ridurrà la tensione del filo della bobina.



Carry out the following steps of procedure after the power switch has been turned OFF.



Avant d'effectuer les opérations suivantes, mettre l'interrupteur d'alimentation en position d'arrêt.



Prima di effettuare le seguenti operazioni assicurarsi che l'interruttore dell'alimentazione sia in posizione OFF (SPENTO).



Die folgenden Schritte nach Ausschalten des Netzschalters ausführen.



Ejecute los siguientes pasos y procedimiento después de desconectar de la máquina de coser la corriente eléctrica.

13. THREAD TAKE-UP SPRING

1. Changing the stroke of thread take-up spring ①

- 1) Loosen setscrew ② .
- 2) As you turn tension post ③ clockwise (in direction **A**), the stroke of the thread take-up spring will be increased.
- 3) As you turn the knob counterclockwise (in direction **B**), the stroke will be decreased.

2. Changing the pressure of thread take-up spring ①

- 1) Loosen setscrew ②, and remove thread tension (asm.) ⑤ .
- 2) Loosen setscrew ④ .
- 3) As you turn tension post ③ clockwise (in direction **A**), the pressure will be increased.
- 4) As you turn the post counterclockwise (in direction **B**), the pressure will be decreased.

13. FADENAUFNAHMEFEDER

1. Ändern des Hubs der Fadenaufnahmefeder ①

- 1) Die Feststellschraube ② lösen.
- 2) Durch Drehen des Spannknopfes ③ im Uhrzeigersinn (in Richtung **A**) wird der Hub der Fadenaufnahmefeder vergrößert.
- 3) Durch Drehen des Knopfes im Gegenuhrzeigersinn (in Richtung **B**) wird der Hub verkleinert.

2. Ändern der Spannung der Fadenaufnahmefeder ①

- 1) Die Feststellschraube ② lösen und die Spannungsscheibe (Baugr.) ⑤ entfernen.
- 2) Die Feststellschraube ④ lösen.
- 3) Durch Drehen des Spannschafts ③ im Uhrzeigersinn (in Richtung **A**) wird die Spannung erhöht.
- 4) Durch Drehen des Schafts im Gegenuhrzeigersinn (in Richtung **B**) wird die Spannung verringert.

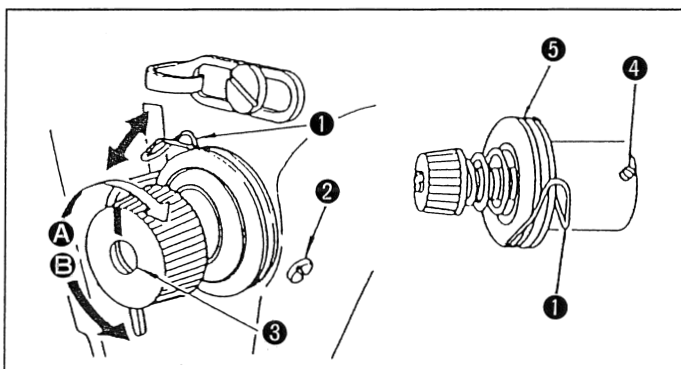
13. RESSORT DU RELEVEUR DE FIL

1. Changement de course du ressort du releveur de fil ①

- 1) Desserrer la vis de blocage ② .
- 2) La course du ressort du releveur de fil augmente lorsqu'on tourne le bouton de tension ③ dans le sens des aiguilles d'une montre (direction **A**).
- 3) Lorsqu'on tourne ce bouton dans le sens inverse des aiguilles d'une montre (direction **B**), la course diminue.

2. Changement de pression du ressort du releveur de fil ①

- 1) Desserrer la vis de blocage ② et retirer l'ensemble de bloc-tension ⑤ .
- 2) Desserrer la vis de blocage ④ .
- 3) La pression augmente lorsqu'on tourne le bouton de réglage de tension ③ dans le sens des aiguilles d'une montre (direction **A**).
- 4) La pression diminue lorsqu'on tourne le bouton dans le sens inverse des aiguilles d'une montre **B** .



13. RESORTE RECOGEDOR DEL HILO

1. Cambio del recorrido del resorte recogedor del hilo ①

- 1) Afloje el tornillo de fijación ② .
- 2) A medida que Ud. gira el cabezal de tensión ③ en el sentido del movimiento de los punteros del reloj (en la dirección **A**), el recorrido del resorte recogedor del hilo aumentará.
- 3) A medida que Ud. gira el cabezal de tensión en el sentido opuesto al del movimiento de los punteros del reloj (en la dirección **B**), el recorrido disminuirá.

2. Cambio de la presión del resorte recogedor del hilo ①

- 1) Afloje el tornillo ②, y relaje la tensión del hilo (conjunto) ⑤ .
- 2) Afloje el tornillo de fijación ④ .
- 3) Al girar el cabezal de tensión ③ en el sentido del movimiento de los punteros del reloj (en la dirección **A**), la presión aumentará.
- 4) Al girar el cabezal de tensión en el sentido opuesto al del movimiento de los punteros del reloj (en la dirección **B**), la presión disminuirá.

13. MOLLA CHIUSURA PUNTO

1. Modifica della corsa della molla chiusura punto ①

- 1) Allentare la vite di fissaggio ② .
- 2) Ruotando la manopola tensione ③ in senso orario (nel senso indicato dalla freccia **A**), si aumenterà la corsa della molla chiusura punto.
- 3) Ruotando la manopola in senso antiorario (nel senso indicato dalla freccia **B**), la corsa verrà ridotta.

2. Modifica della pressione della molla chiusura punto ①

- 1) Allentare la vite di fissaggio ② e regolare la manopola tensione ⑤ .
- 2) Allentare la vite di fissaggio ④ .
- 3) Ruotando la manopola tensione ③ in senso orario (nel senso indicato dalla freccia **A**), si aumenterà la pressione.
- 4) Ruotando la manopola in senso antiorario (nel senso indicato dalla freccia **B**), la pressione verrà diminuita.



Carry out the following steps of procedure after the power switch has been turned OFF.



Avant d'effectuer les opérations suivantes, mettre l'interrupteur d'alimentation en position d'arrêt.



Prima di effettuare le seguenti operazioni assicurarsi che l'interruttore dell'alimentazione sia in posizione OFF (SPENTO).



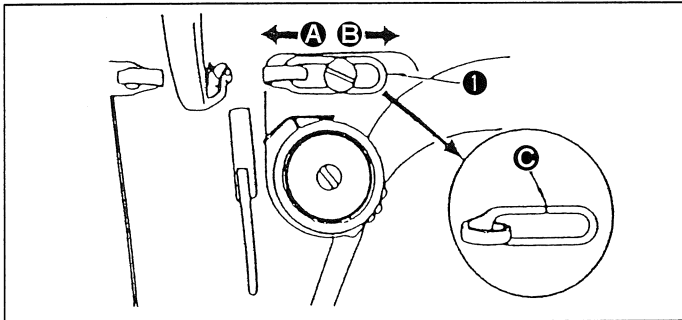
Die folgenden Schritte nach Ausschalten des Netzschalters ausführen.



Ejecute los siguientes pasos y procedimiento después de desconectar de la máquina de coser la corriente eléctrica.

14. ADJUSTING THE THREAD TAKE-UP STROKE

- 1) When sewing heavy-weight materials, move thread guide ① to the left (in direction **A**) to increase the length of thread pulled out by the thread take-up.
- 2) When sewing light-weight materials, move thread guide ① to the right (in direction **B**) to decrease the length of thread pulled out by the thread take-up.
- 3) Normally, thread guide ① is positioned in a way that marker line **C** is aligned with the center of the screw.



14. AJUSTE DEL RECORRIDO DEL RECOGEDOR DEL HILO

- 1) Si cose telas pesadas, mueva la guía del hilo ① hacia la izquierda en la dirección **A** para aumentar el largo del hilo que tira el recogedor.
- 2) Al coser telas livianas, mueva la guía del hilo ① hacia la derecha en la dirección **B** lo que disminuye el largo del hilo tirado por el recogedor.
- 3) Normalmente, la guía del hilo ① está posicionada de manera tal que la línea demarcadora **C** quede alineada con el centro del tornillo.

14. EINSTELLEN DES FADENHEBELHUBS

- 1) Zum Nähen schwerer Stoffe die Fadenführung ① nach links (in Richtung **A**) verschieben, um die vom Fadenhebel herausgezogene Fadenlänge zu vergrößern.
- 2) Zum Nähen leichter Stoffe die Fadenführung ① nach rechts (in Richtung **B**) verschieben, um die vom Fadenhebel herausgezogene Fadenlänge zu verringern.
- 3) Normalerweise steht die Fadenführung ① so, daß die Markierungslinie **C** auf die Mitte der Schraube ausgerichtet ist.

14. REGLAGE DE LA COURSE DE RELEVAGE DU FIL

- 1) Lors de la couture de tissus lourds, amener le guide du fil ① vers la gauche **A** pour augmenter la longueur du fil tiré par le relevage du fil.
- 2) Lors de la couture de tissus légers, amener le guide du fil ① vers la droite **B** pour réduire la longueur du fil tiré par le relevage du fil.
- 3) Normalement, le guide du fil ① est positionné de façon à ce que le trait de repère **C** soit aligné sur le centre de la vis.

14. REGOLAZIONE DELLA CORSA DEL GUIDAFILO

- 1) Quando si procede alla cucitura di tessuti pesanti, spostare il guidafile verso sinistra (nel senso indicato dalla freccia **A**) per aumentare la lunghezza del filo estratto dal guidafile.
- 2) Quando si procede alla cucitura di tessuti leggeri, spostare il passafilo ① verso destra (nel senso indicato dalla freccia **B**) per diminuire la lunghezza del filo estratto dal guidafile.
- 3) Solitamente il guidafile ① viene posizionato in maniera tale che la riga di riferimento **C** sia allineata al centro della vite.



Carry out the following steps of procedure after the power switch has been turned OFF.



Die folgenden Schritte nach Ausschalten des Netzschalters ausführen.



Avant d'effectuer les opérations suivantes, mettre l'interrupteur d'alimentation en position d'arrêt.

15. NEEDLE-TO-HOOK RELATIONSHIP

1. Adjust the timing between the needle and the hook as follows:

- 1) Turn the handwheel to bring the needle bar down to the lowest point of its stroke, and loosen setscrew ①.

(Adjusting the needle bar height)

- 2) (For a DB needle) Align marker line A on needle bar ② with the bottom end of needle bar lower bushing ③, then tighten setscrew ①.

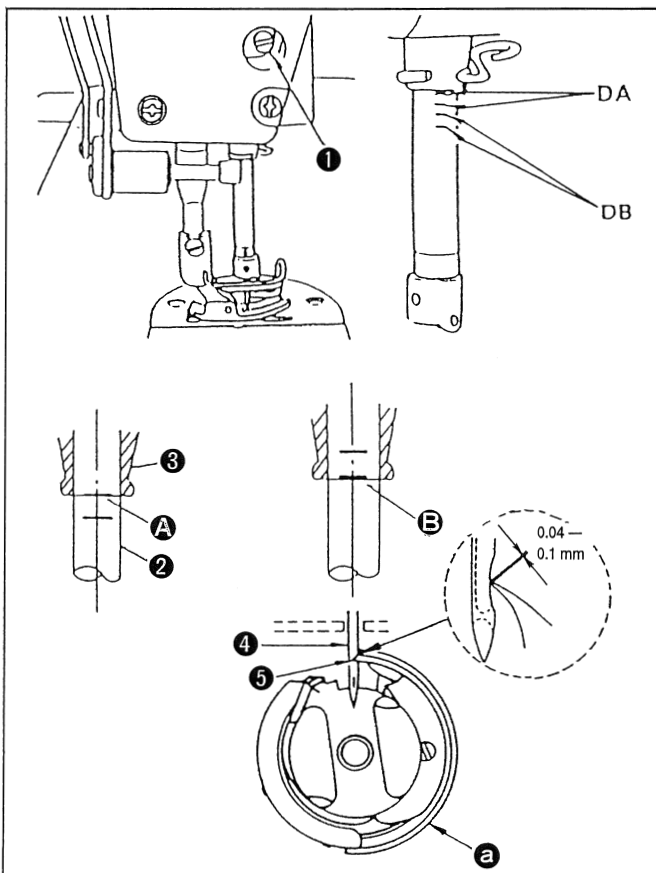
(For a DA needle) Align marker line DA on needle bar ② with the bottom end of needle bar lower bushing ③, then tighten setscrew ①.

(Adjusting position of the hook a)

- 3) (For a DB needle) Loosen the three hook setscrews, turn the handwheel, and align marker line B on ascending needle bar ② with the bottom end of needle bar lower bushing ③.

(For a DA needle) Loosen the three hook setscrews, turn the handwheel, and align marker line DA on ascending needle bar ② with the bottom end of needle bar lower bushing ③.

- 4) After making the adjustments mentioned in the above steps, align hook blade point ⑤ with the center of needle ④. Provide a clearance of 0.04 mm to 0.1 mm (reference value) between the needle and the hook, then securely tighten setscrews in the hook.



15. SYNCHRONISIERUNG VON NADEL UND GREIFER

1. Die Synchronisierung von Nadel und Greifer folgendermaßen einstellen:

- 1) Das Handrad drehen, um die Nadelstange auf den Tiefpunkt ihres Hubes abzusenken, und die Feststellschraube ① lösen.

(Einstellen der Nadelstangenhöhe)

- 2) (Für eine DB-Nadel) Die Markierungslinie A auf der Nadelstange ② auf die Unterkante der unteren Nadelstangenbuchse ③ ausrichten, dann die Feststellschraube ① wieder anziehen.

(Für eine DA-Nadel) Die Markierungslinie DA auf der Nadelstange ② auf die Unterkante der unteren Nadelstangenbuchse ③ ausrichten, dann die Feststellschraube ① wieder anziehen.

(Einstellposition des Greifers a)

- 3) (Für eine DB-Nadel)

Die drei Halteschrauben des Greifers lösen, dann das Handrad drehen und die Markierungslinie B der aufsteigenden Nadelstange ② auf die Unterkante der unteren Nadelstangenbuchse ③ ausrichten.

(Für eine DA-Nadel)

Die drei Halteschrauben des Greifers lösen, dann das Handrad drehen und die Markierungslinie DA der aufsteigenden Nadelstange ② auf die Unterkante der unteren Nadelstangenbuchse ③ ausrichten.

- 4) Nach der Ausführung der Einstellung gemäß den obigen Schritten die Greiferblattspitze ⑤ auf die Mitte der Nadel ④ ausrichten, so daß ein Spiel von 0,04 bis 0,1 mm (Bezugswert) zwischen Nadel und Greifer eingehalten wird. Dann die Halteschrauben des Greifers fest anziehen.

15. RELATION AIGUILLE-A-CROCHET

1. Régler le calage entre l'aiguille et le crochet en procédant comme suit:

- 1) Tourner le volant de façon à abaisser la barre à aiguille jusqu'au bas de sa course, puis desserrer la vis de blocage ①.

(Réglage de la hauteur de la barre à aiguille)

- 2) (Pour une aiguille DB) Aligner le repère A de la barre à aiguille ② sur l'extrémité inférieure de la bague inférieure de la barre à aiguille ③, puis serrer la vis de blocage ①.

(Pour une aiguille DA) Aligner le repère DA de la barre à aiguille ② sur l'extrémité inférieure de la bague inférieure de la barre à aiguille ③, puis serrer la vis de blocage ①.

(Réglage de la position a du crochet)

- 3) (Pour une aiguille DB) Desserrer les trois vis de blocage du crochet, tourner le volant et aligner le trait de repère B de la barre à aiguille ascendante ② sur l'extrémité inférieure de la bague inférieure de la barre à aiguille ③.

(Pour une aiguille DA) Desserrer les trois vis de blocage du crochet, tourner le volant et aligner le trait de repère DA de la barre à aiguille ascendante ② sur l'extrémité inférieure de la bague inférieure de la barre à aiguille ③.

- 4) Après avoir réalisé les réglages mentionnés aux étapes ci-dessus, aligner la pointe de la lame du crochet ⑤ sur l'axe de l'aiguille ④. Laisser un espace de 0,04 mm à 0,1 mm (valeur de référence) entre l'aiguille et le crochet, puis serrer fermement les vis de blocage du crochet.



Prima di effettuare le seguenti operazioni assicurarsi che l'interruttore dell'alimentazione sia in posizione OFF (SPENTO).



Ejecute los siguientes pasos y procedimiento después de desconectar de la máquina de coser la corriente eléctrica.

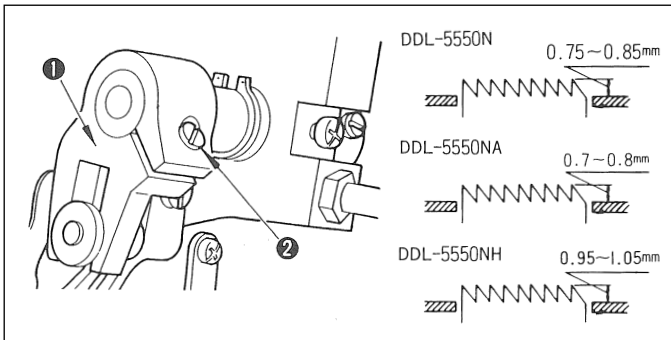
15. RELACION ENTRE LA AGUJA Y EL GANCHO

1. Ajuste la sincronización entre la aguja y el gancho de la manera siguiente:

- 1) Gire el volante para llevar la barra de la aguja al punto inferior de su recorrido y afloje el tornillo de fijación ①. (Ajuste de la altura de la barra de la aguja)
- 2) **(En caso de una aguja DB)** Alinee la línea demarcadora **A** de la barra de la aguja ② con el extremo inferior del buje inferior de la barra de la aguja ③, luego apriete el tornillo de fijación ①.
(Para una aguja DA) Alinee la línea demarcadora DA de la barra de la aguja ② con el extremo inferior del buje inferior de la barra de la aguja ③, luego apriete el tornillo de fijación ①.

(Posición de ajuste del gancho ②)

- 3) **(Para una aguja DB)** Afloje los tres tornillos de fijación del gancho, gire el volante y alinee la línea demarcadora **E** de la barra de la aguja que va ascendiendo ② con el extremo inferior del buje inferior de la barra de la aguja ③.
(Para una aguja DA) Afloje los tres tornillos de fijación del gancho, gire el volante y alinee la línea demarcadora DA de la barra de la aguja que va ascendiendo ② con el extremo inferior del buje inferior de la barra de la aguja ③.
- 4) Después de hacer los ajustes mencionados en los pasos anteriores, alinee la punta ⑤ de la hoja del gancho con el centro de la aguja ④. Provea una separación de 0,04 a 0,1 mm (valor de referencia) entre la aguja y el gancho, luego apriete bien los tornillos en el gancho.



16. HAUTEUR DE LA GRIFFE D'ENTRAÎNEMENT

Pour ajuster la hauteur de la griffe d'entraînement :

- ① Desserrer la vis ② de la manivelle ①.
- ② Relever ou baisser la barre d'entraînement pour réaliser le réglage.
- ③ Serrer fermement la vis ②.

16. ALTEZZA DELLA GRIFFA DI TRASPORTO

Per regolare l'altezza della griffa di trasporto:

- ① Allentare la vite ② dell'albero ①.
- ② Sollevare o abbassare la leva di trasporto per effettuare la regolazione.
- ③ Stringere la vite ② a fondo.

15. RELAZIONE FASE AGO/CROCHET

1. Regolare la sincronizzazione tra l'ago ed il crochet come segue:

- 1) Far girare il volantino per abbassare la barra ago fino a raggiungere il punto più basso della sua corsa e allentare la vite di fissaggio ①.
(Regolazione dell'altezza della barra ago)
- 2) **(Per aghi DB)** Allineare la riga di riferimento **A**, sulla barra ago ②, all'estremità inferiore della bussola inferiore della barra ago ③ e stringere la vite di fissaggio ①.
(Per aghi DA) Allineare la riga di riferimento DA, sulla barra ago ②, all'estremità inferiore della bussola inferiore della barra ago ③ e stringere la vite di fissaggio ①.
(Regolazione della posizione **a** del crochet)
- 3) **(Per aghi DB)** Allentare le tre viti di fissaggio del crochet, girare il volantino ed allineare la riga di riferimento **B**, posta sulla barra ago in movimento ascendente ②, all'estremità inferiore della bussola inferiore della barra ago ③.
(Per aghi DA) Allentare le tre viti di fissaggio del crochet, girare il volantino ed allineare la riga di riferimento DA, posta sulla barra ago in movimento ascendente ②, all'estremità inferiore della bussola inferiore della barra ago ③.
- 4) Al termine delle suddette regolazioni, allineare la punta della lama del crochet ⑤ al centro dell'ago ④. Lasciare una distanza compresa tra 0,04 e 0,1 mm tra l'ago ed il crochet, poi stringere a fondo le viti di fissaggio del crochet.

16. HEIGHT OF THE FEED DOG

To adjust the height of the feed dog:

- ① Loosen screw ② of crank ①.
- ② Move the feed bar up or down to make adjustment.
- ③ Securely tighten screw ②.

16. HÖHE DES TRANSPORTEURS

Zum Einstellen der Höhe des Transporteurs:

- ① Die Schraube ② der Kurbel ① lösen.
- ② Zum Einstellen die Transportstange nach oben oder unten bewegen.
- ③ Die Schraube ② fest anziehen.

16. ALTURA DE LOS DIENTES DE ARRASTRE

Ajuste de la altura de los dientes de arrastre:

- ① Afloje el tornillo ② de la biela ①.
- ② Mueva la barra del arrastre hacia arriba y hacia abajo hasta obtener el ajuste.
- ③ Apriete con firmeza el tornillo ②.

17. MOTOR PULLEYS AND BELTS

- (1) A clutch motor with 400W output (1/2 HP) is used as the standard motor.
- (2) An M-type V belt should be used.
- (3) The relationship between the motor pulleys, belt lengths and sewing speeds is shown in the following table:

Motor pulley O.D. (mm)	Motor pulley part No.	Sewing speed (sti/min)		Belt length (mm)	Belt part No.
		50 Hz	60 Hz		
125	MTKP0120000	5,060		1118 mm	MTJVM004400
120	MTKP0115000	4,850		1092 mm	MTJVM004300
115	MTKP0110000	4,630			
110	MTKP0105000	4,440			
105	MTKP0100000	4,250	5,040	1067 mm	MTJVM004200
100	MTKP0095000	4,000	4,780		
95	MTKP0090000	3,820	4,540		
90	MTKP0085000	3,610	4,320		
85	MTKP0080000	3,390	4,000	1041 mm	MTJVM004100
80	MTKP0075000	3,160	3,790		
75	MTKP0070000	2,950	3,520		
70	MTKP0065000	2,740	3,260		

- The effective diameter of a motor pulley is equivalent to the outside diameter minus 5 mm.
- The motor should rotate counterclockwise as observed from the handwheel side. Be careful not to allow the motor to rotate in the reverse direction.

17. MOTOR-RIEMENSCHLEIBEN UND -RIEMEN

- (1) Als Standard-Motor wird ein Kupplungsmotor mit 400 W Leistung (1/2 PS) verwendet.
- (2) Ein Keilriemen vom Typ M ist zu verwenden.
- (3) Die Beziehung zwischen Motorriemenscheibe, Riemenlänge und Nähgeschwindigkeit ist in der folgenden Tabelle gezeigt:

Motorriemenscheiben-A.D. (mm)	Motorriemenscheiben- Teile-Nr.	Nähgeschwindigkeit(sti/min)		Riemenlänge (mm)	Riemen-Teile-Nr.
		50 Hz	60 Hz		
125	MTKP0120000	5.060		1118 mm	MTJVM004400
120	MTKP0115000	4.850		1092 mm	MTJVM004300
115	MTKP0110000	4.630			
110	MTKP0105000	4.440			
105	MTKP0100000	4.250	5.040	1067 mm	MTJVM004200
100	MTKP0095000	4.000	4.780		
95	MTKP0090000	3.820	4.540		
90	MTKP0085000	3.610	4.320		
85	MTKP0080000	3.390	4.000	1041 mm	MTJVM004100
80	MTKP0075000	3.160	3.790		
75	MTKP0070000	2.950	3.520		
70	MTKP0065000	2.740	3.260		

- Der effektive Durchmesser einer Riemenscheibe entspricht dem Außendurchmesser minus 5 mm.
- Der Motor muß sich bei Seitenansicht des Handrads im Gegenuhrzeigersinn drehen. Der Motor darf sich auf keinen Fall in umgekehrter Richtung drehen.

17. POULIES ET COURROIES DE MOTEUR

- (1) Un moteur à embrayage de puissance 400 W (1/2 CV) est utilisé en tant que moteur standard.
- (2) Utiliser une courroie trapézoïdale de type "M".
- (3) La relation entre poulies de moteur, longueurs de courroie et vitesses de couture est donnée dans le tableau ci-dessous:

Diamètre extérieur de poulie moteur	No. de pièce de poulie moteur	Vitesse de couture (sti/min)		Longueur de courroie (mm)	No. de pièce de courroie
		50 Hz	60 Hz		
125	MTKP0120000	5.060		1118 mm	MTJVM004400
120	MTKP0115000	4.850		1092 mm	MTJVM004300
115	MTKP0110000	4.630			
110	MTKP0105000	4.440			
105	MTKP0100000	4.250	5.040	1067 mm	MTJVM004200
100	MTKP0095000	4.000	4.780		
95	MTKP0090000	3.820	4.540		
90	MTKP0085000	3.610 *	4.320		
85	MTKP0080000	3.390 *	4.000	1041 mm	MTJVM004100
80	MTKP0075000	3.160 *	3.790		
75	MTKP0070000	2.950 *	3.520 *		
70	MTKP0065000	2.740 *	3.260 *		

- Le diamètre utile d'une poulie de moteur est égal au diamètre extérieur moins 5 mm.
- Le moteur doit tourner dans le sens inverse des aiguilles d'une montre, vu depuis le volant. Faire attention à ce que le moteur ne tourne pas en sens inverse.

17. POLEAS Y CORREAS DEL MOTOR

- (1) Como motor estándar se usa un motor con un embrague de 400 W (1/2 HP).
- (2) Debe usarse una correa en V del tipo M.
- (3) En la tabla siguiente se muestran las relaciones entre las poleas del motor, largos de las correas y velocidades de la costura.

Polea del motor O.D. (mm)	No de pieza de la polea del motor	Velocidad de coser (sti/min)		Largo de la correa (mm)	No de pieza de la correa
		50 Hz	60 Hz		
125	MTKP0120000	5.060		1118 mm	MTJVM004400
120	MTKP0115000	4.850		1092 mm	MTJVM004300
115	MTKP0110000	4.630			
110	MTKP0105000	4.440			
105	MTKP0100000	4.250	5.040	1067 mm	MTJVM004200 *
100	MTKP0095000	4.000	4.780		
95	MTKP0090000	3.820	4.540		
90	MTKP0085000	3.610 *	4.320		
85	MTKP0080000	3.390 *	4.000	1041 mm	MTJVM004100 *
80	MTKP0075000	3.160 *	3.790		
75	MTKP0070000	2.950 *	3.520		
70	MTKP0065000	2.740 *	3.260		

- El diámetro efectivo de la polea del motor es equivalente al diámetro exterior menos 5 mm.
- Al observar el motor desde el lado del volante, este debe girar en el sentido contrario al del movimiento de los punteros del reloj. Tenga cuidado para que el motor no gire en el sentido opuesto.

17. PULEGGIA MOTORE E CINGHIA

(1) Come motore standard viene utilizzato un motore a frizione a 400W (1/2 HP).

(2) Si utilizza una cinghia a V tipo M.

(3) La relazione tra le pulegge del motore, le lunghezze della cinghia e le velocità di cucitura viene indicata nella seguente tabella:

Puleggia motore Diam. Est. (mm)	Puleggia motore Parte No.	Velocità di cucitura (sti/min)		Lunghezza cinghia (mm)	No. parte cinghia
		50 Hz	60 Hz		
125	MTKP0120000	5,060		1118 mm	MTJVM004400
120	MTKP0115000	4,850		1092 mm	MTJVM004300
115	MTKP0110000	4,630			
110	MTKP0105000	4,440			
105	MTKP0100000	4,250	5,040	1067 mm	MTJVM004200
100	MTKP0095000	4,000	4,780		
95	MTKP0090000	3,820	4,540		
90	MTKP0085000	3,610	4,320		
85	MTKP0080000	3,390	4,000	1041 mm	MTJVM004100
80	MTKP0075000	3,160	3,790		
75	MTKP0070000	2,950	3,520		
70	MTKP0065000	2,740	3,260		

● Il diametro effettivo della puleggia del motore si ottiene sottraendo 5 mm dal diametro esterno.

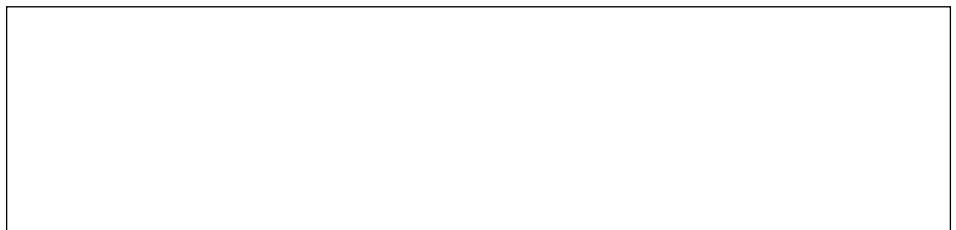
● Il motore deve girare in senso antiorario, visto dal lato del volantino. Assicurarsi che non stesso non giri nel senso opposto.

JUKI®

JUKI CORPORATION
SEWING MACHINERY BUSINESS UNIT
2-11-1, TSURUMAKI, TAMA-SHI,
TOKYO, 206-8551, JAPAN
PHONE : (81)42-357-2371
FAX : (81)42-357-2380
<http://www.juki.com>

Copyright © 2011-2012 JUKI CORPORATION

- All rights reserved throughout the world.
- Alle Rechte weltweit vorbehalten.
- Tous droits réservés partout dans le monde.
- Reservados todos derechos en el mundo entero.
- Tutti i diritti sono riservati in tutto il mondo.



Please do not hesitate to contact our distributors or agents in your area for further information when necessary.
* **The description covered in this instruction manual is subject to change for improvement of the commodity without notice.**

Bitte wenden Sie sich an unsere Händler oder Vertreter in Ihrer Nähe, wenn Sie weitere Informationen benötigen.
* **Änderungen der in dieser Betriebsanleitung enthaltenen Beschreibungen, die der Verbesserung des Produktes dienen, bleiben vorbehalten.**

Pour plus d'information, n'hésitez pas à consulter nos distributeurs ou agents dans votre région.
* **Les spécifications données dans le présent Manuel d'utilisation sont sujettes à modification sans préavis.**

Sírvase ponerse en contacto con nuestros distribuidores o agentes en su área siempre que necesite alguna información más detallada.

* **La descripción que se da en este manual de instrucciones está sujeta a cambio sin previo aviso por razones de mejora de la mercancía.**

Per ulteriore informazione, si prega di non esitare a mettersi in contatto con nostri distributori o agenti vostra area quando necessario.

* **Le descrizioni contenute in questo manuale d' istruzioni sono soggette a modifiche senza alcun preavviso.**