

PARTS LIST

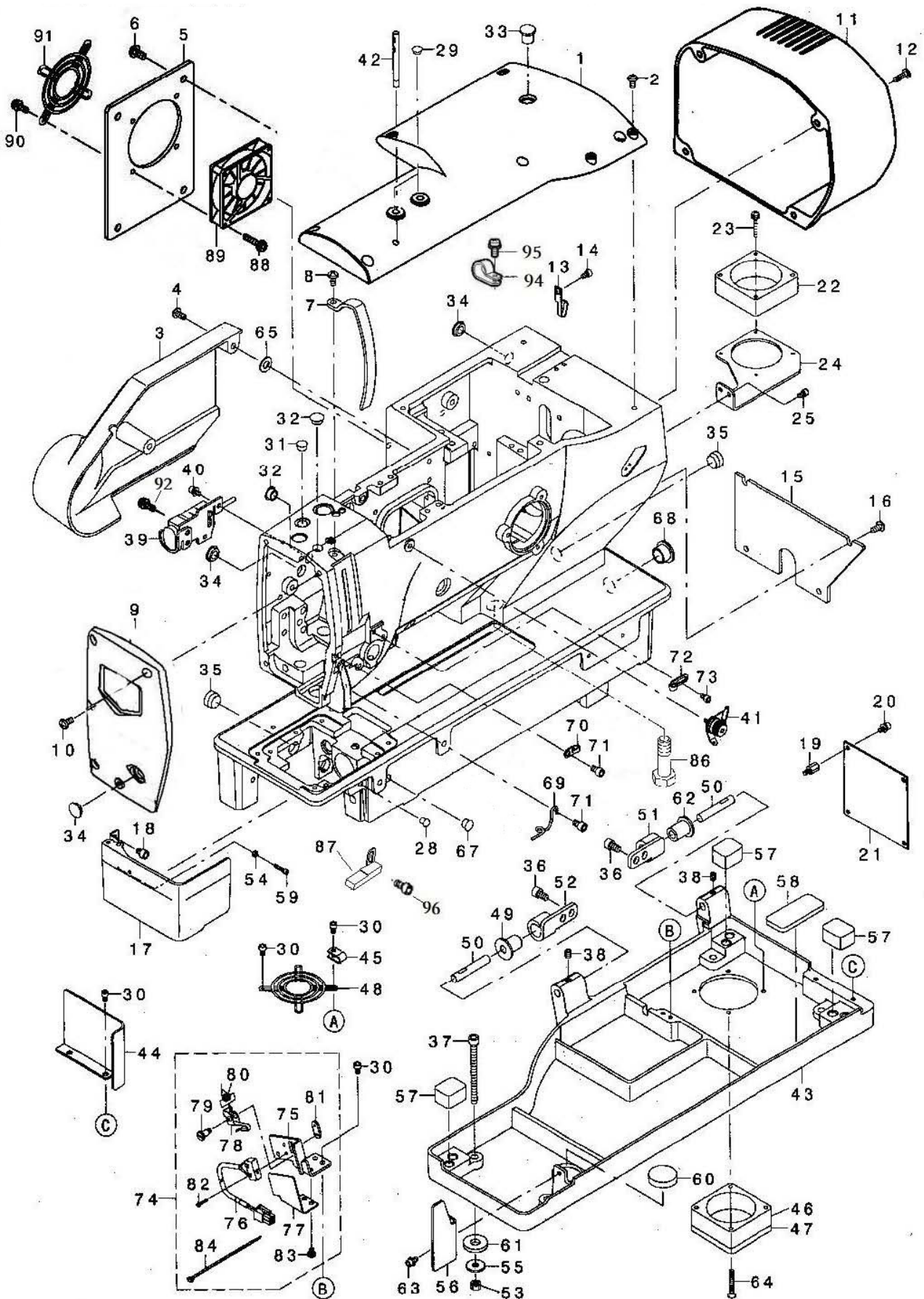
B-1E

零件表 /PARTS LIST

目 录 / INDEX

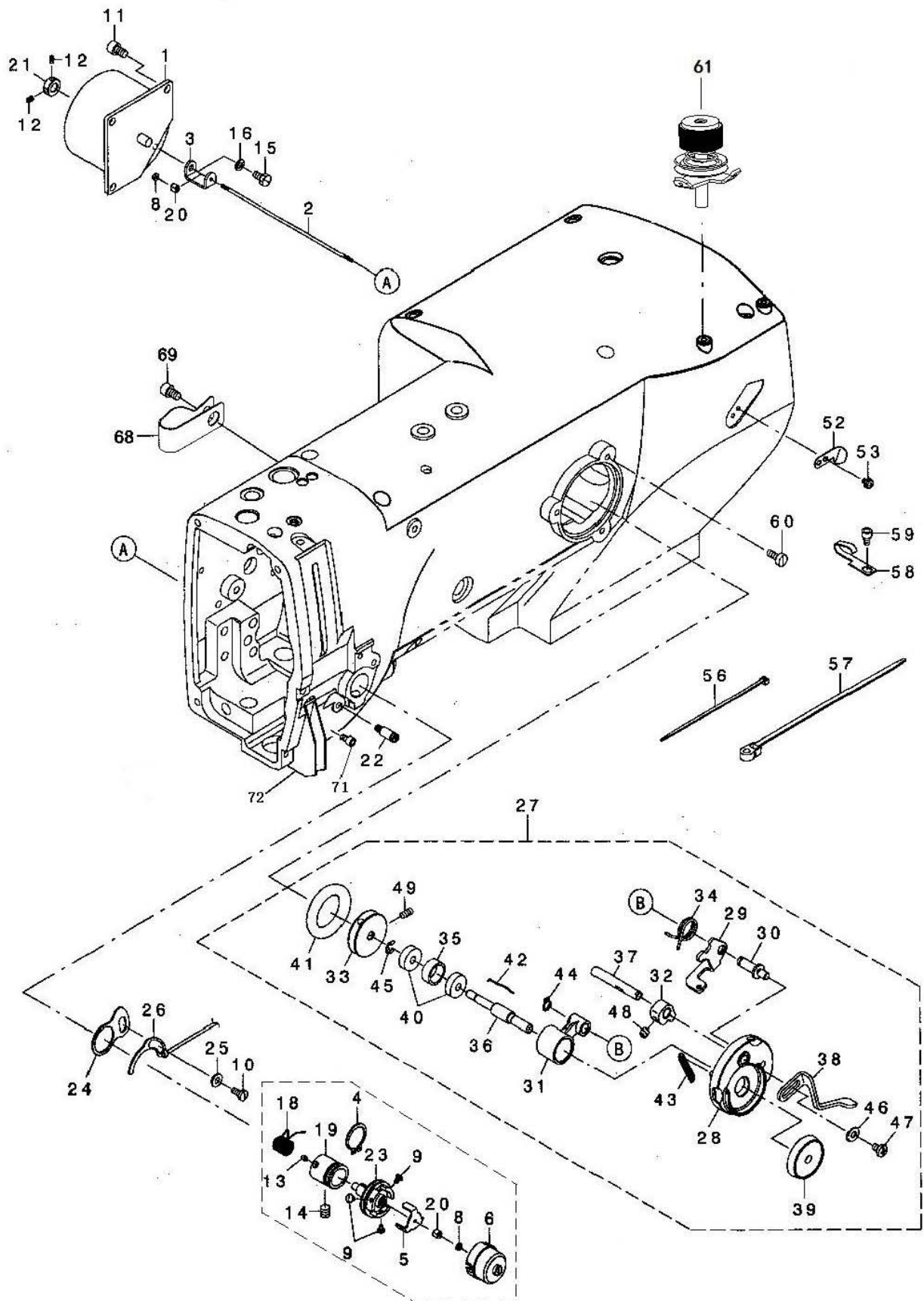
1. 头部、外装置部件 (1) / FRAME&MISSELLANEOUS COVER COMPONENTS(1)	1
2. 头部、外装置部件 (2) / FRAME&MISSELLANEOUS COVER COMPONENTS(2)	3
3. 上轴部件 / MAIN SHAFT COMPONENTS	5
4. 下轴部件 / HOOK DRIVING SHAFT COMPONENTS	7
5. 压脚、送料部件 / PRESSER FEED COMPONENTS	9
6. 针杆摇动部件 / NEEDLE BAR ROCKING COMPONENTS	11
7. 上剪线部件 / NEEDLE THREAD TRIMMER COMPONENTS	13
8. 下剪线部件 / BOBBIN THREAD TRIMMER COMPONENTS	15
9. 切刀部件 / CLOTH CUTTING KNIFE COMPONENTS	17
10. 台板部件 / TABLE COMPONENTS	19
11. 电控箱部件 / CONTROL BOX COMPONENTS (CB-10)	21
12. 操作面板部件 / OPERATION BOX COMPONENTS	23
13. 系统框架 / SYSTEM BLOCK DIAGRAM	25
14. 附件 / Accessories	27
15. 线架装置部件 / Thread stand components	29

1. 头部、外装置部件 (1) / FRAME&MISSELLANEOUS COVER COMPONENTS(1)



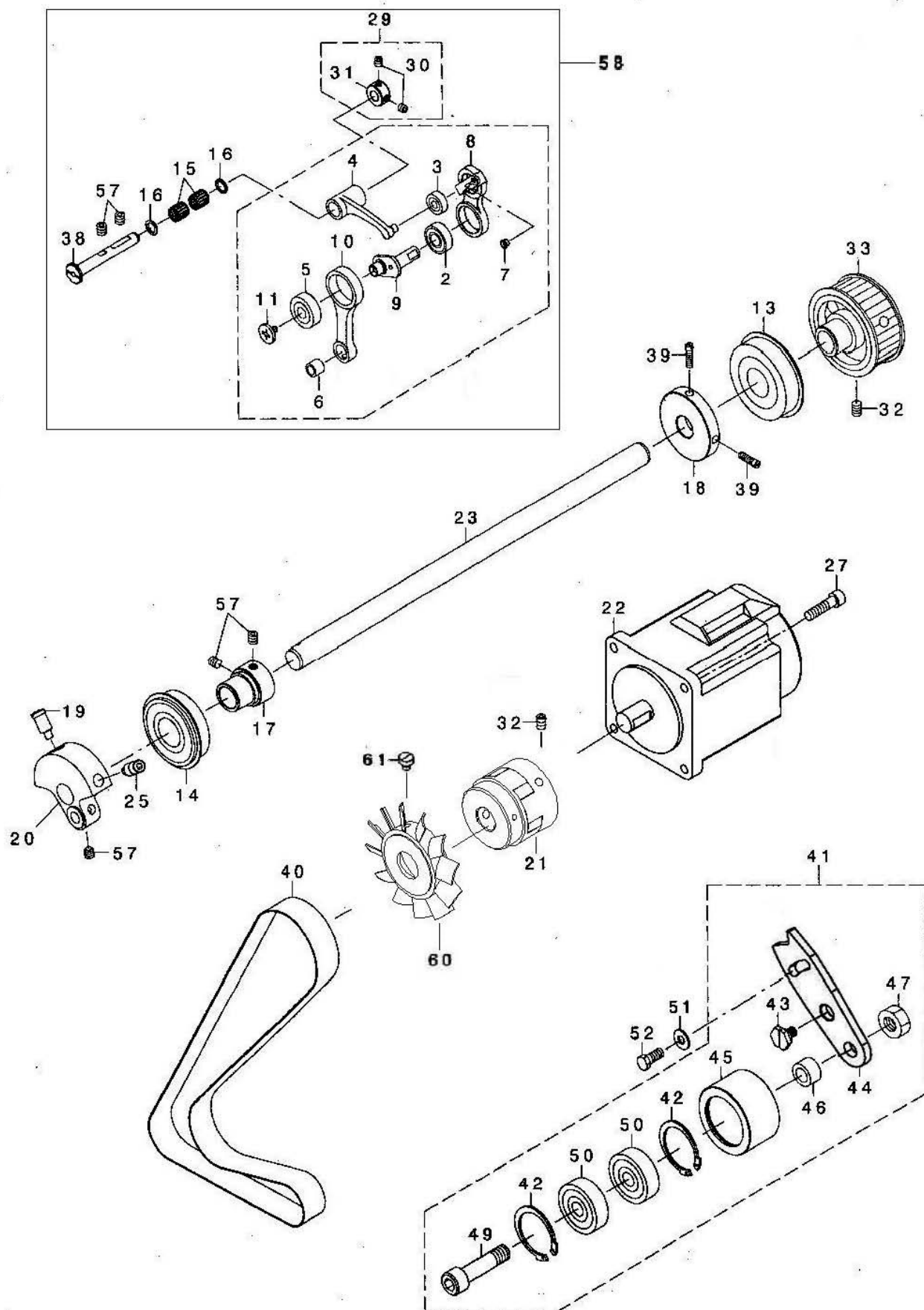
序号/NO	编号/Part NO.	名称	DESCRIPTION	数量/Qty
1	JINPF1790S0101	上盖板	UPPER COCOVER	1
2	JINPF1790S0102	螺钉	SCREW	6
3	JINPF1790S0103	左罩壳	LDFT COCOVER	1
4	JINPF1790S0112	螺钉	SCREW	2
5	JINPF1790A0105	左盖板B	LDFT GOCVER B	1
6	JINPF1790S0106	螺钉	SCREW	4
7	JINPF1790S0107	挑线杆防护罩	THREAD TAKE UP LEVER COVER	1
8	JINPF1790S0102	螺钉	SCREW	1
9	JINPF1790S0109	面板	FRONT COVER	1
10	JINPF1790S0102	螺钉	SCREW	3
11	JINPF1790S0111	后罩	MOTOR COVER	1
12	JINPF1790S0112	螺钉	SCREW	4
15	JINPF1790A0115	后盖板	REAR COVER	1
16	JINPF1790S0106	螺钉	SCREW	4
17	JINPF1790S0117	底座前盖板组件	HOOK OIL SHIELD COVER COMPL	1
18	JINPF1790S0118	螺钉	SCREW	2
19	JINPF1790S0119	线路板螺柱	STUD	4
20	JINPF1790S0120	螺钉	SCREW	4
21	JINPF1790S0121	中基板组件	INT PCB ASS' Y	1
22	JINPF1790S0122	电路板风扇	HEAD FAN MOTOR A ASS' Y	1
23	JINPF1790S0123	螺钉	SCREW	4
24	JINPF1790S0124	风扇安装板	FAN FITTING PLATE	1
25	JINPF1790S0114	螺钉	SCREW	2
28	JINPF1790S0128	橡皮塞5.5	PUBBER CAP. 5.5	1
29	JINPF7810166	橡皮塞7.5	PUBBER CAP. 7.5	2
30	JINPF1310K21	螺钉	SCREW	4
31	JINPF1790S0131	橡皮塞9.5	PUBBER CAP. 9.5	1
32	JINPF1790S0132	橡皮塞10.5	PUBBER CAP. 10.5	1
33	JINPF7810166	橡皮塞 11.2	PUBBER CAP. 11.2	4
34	JINPF1790S0134	橡皮塞 12.5	PUBBER CAP. 12.5	3
35	JINPF1790S0135	橡皮塞 15.5	PUBBER CAP. 15.5	2
36	JINPF1790S0935	螺钉	SCREW	4
37	JINPF19000118	螺钉	SCREW	4
38	JINBF140627	螺钉	SCREW	2
39	JINPF1790S0139	急停开关组件	SWITCH ASM	1
40	JINPF1790S0114	螺钉	SCREW	2
41	JINPF22840124	张力控制组件	PRE-TENSION CONTROLLER ASM	1
42	JINPF5550H335	过线轴	THREAD GUIDE BAR	1
43	JINPF1790S0143	油盘	BED BASE	1
44	JINPF1790S0144	底座后盖板	BED REAR COVER	1
45	JINPF1790S0113	线夹	CABLE CLAMP	1
46	JINPF1790S0146	油盘风扇	HEAD FAN	1
47	JINPF1790S0147	过滤器	FILTER	1
48	JINPF1790S0148	风扇挡板	FINGER GUARD	1
49	JINPF1790S0149	机头铰链套(铁)	HINGE BUSH	1
50	JINPF1790S0150	连接销	HINGE PIN	2
51	JINPF1790S0151	机头后铰链	HINGE PLATE. A	1
52	JINPF1790S0152	机头前铰链	HINGE PLATE. B	1
53	JINPF1790S0153	螺母M6	NUT M6	4
54	JINPF1790S0154	螺母M3X0.5	NUT M3X0.5	5
55	JINPF1790S0155	垫片 6.1X18.5X2	WAOHER 6.1X18.5X2	4
56	JINPF1790S0156	挡油板	OIL SHIELD	1
57	JINPF1790S0157	底座橡胶垫	RUBBER C	3
58	JINPF1790S0158	底座橡胶长垫	RUBBER D	1
59	JINPF1790S0159	螺钉	SCREW	1
60	JINPF1790S0160	底座圆垫	Z STOPPER RUBBER	1
61	JINPF1790S0161	底座橡胶垫片	RUBBER CUSHION (B)	4
62	JINPF1790S0162	机头铰链套(橡胶)	LUVRICATING OIL WICK STOPPER	1
63	JINPF1790S0120	螺钉	SCREW	1
64	JINPF1790S0164	螺钉	SCREW,PAN M4X30	2
65	JINPF1790S0165	左盖橡胶垫	RUBBER CUSHION (C)	2
67	JINPF7810133	橡皮塞	PUBBER PLUG	2
68	JINPF1790S0168	橡皮塞	PUBBER PLUG	1
69	JINPF1790S0169	过线钩	NEEDLE BAR THREAD GUIDE	1
70	JINPF1790S0170	左线钩	TAKE-UP THREAD GUIDE B	1
71	JINPF1790S0118	螺钉	SCREW	2
72	JINPF1790S0172	右线钩	TAKE-UP THREAD GUIDE A	1
73	JINPF1790S0114	螺钉	SCREW	1
74	JINPF1790S0174	安全开关组件	SAFETY SWITCH ASS' Y	1
75	JINPF1790S0175	安全开关座	SAFETY SW BASE	1
76	JINPF1790S0176	电线	SAFETY SWITCH CORD ASS' Y	1
77	JINPF1790S0177	安全开关盖	SAFETY SWITCH XCOVER	1
78	JINPF1790S0178	安全开关臂	SAFETY SWITCH ARM	1
79	JINPF1790S0179	轴位螺钉	SCREW	1
80	JINPF1790S0180	安全开关弹簧	SAFETY SWITCH SPRING	1
81	JINPF1790S0181	导线固定板	SAFETY SWITCH NUT	1
82	JINPF1790S0182	螺钉	SCREW	2
83	JINPF1790S0183	螺钉 SM9/64" -40	SCREW	2
84	JINSCJ5031	固定带	CABLE BAND	1
86	JINPF1790S0186	拼装螺钉	SCREW	4
87	JINPF1790S0190	LED照明灯	LED	1
88	JINPF1790S0126	螺钉	SCREW	1
89	JINPF1790S0189	风扇	FAN	1
90	JINPF1310K21	螺钉	SCREW	2
91	JINPF1790S0191	风扇挡板	FINGER GUARD	1
92	JINPF90008108	急停开关螺钉	SCREW	1
94	JINPF1790S0145	金属线夹	FASTENER	1
95	JINPF1790S0709	金属线夹螺钉	SCREW	1
96	JINPF1790S0114	LED照明灯螺钉	SCREW	1

2. 头部、外装置部件 (2) / FRAME&MISSELLANEOUS COVER COMPONENTS(2)



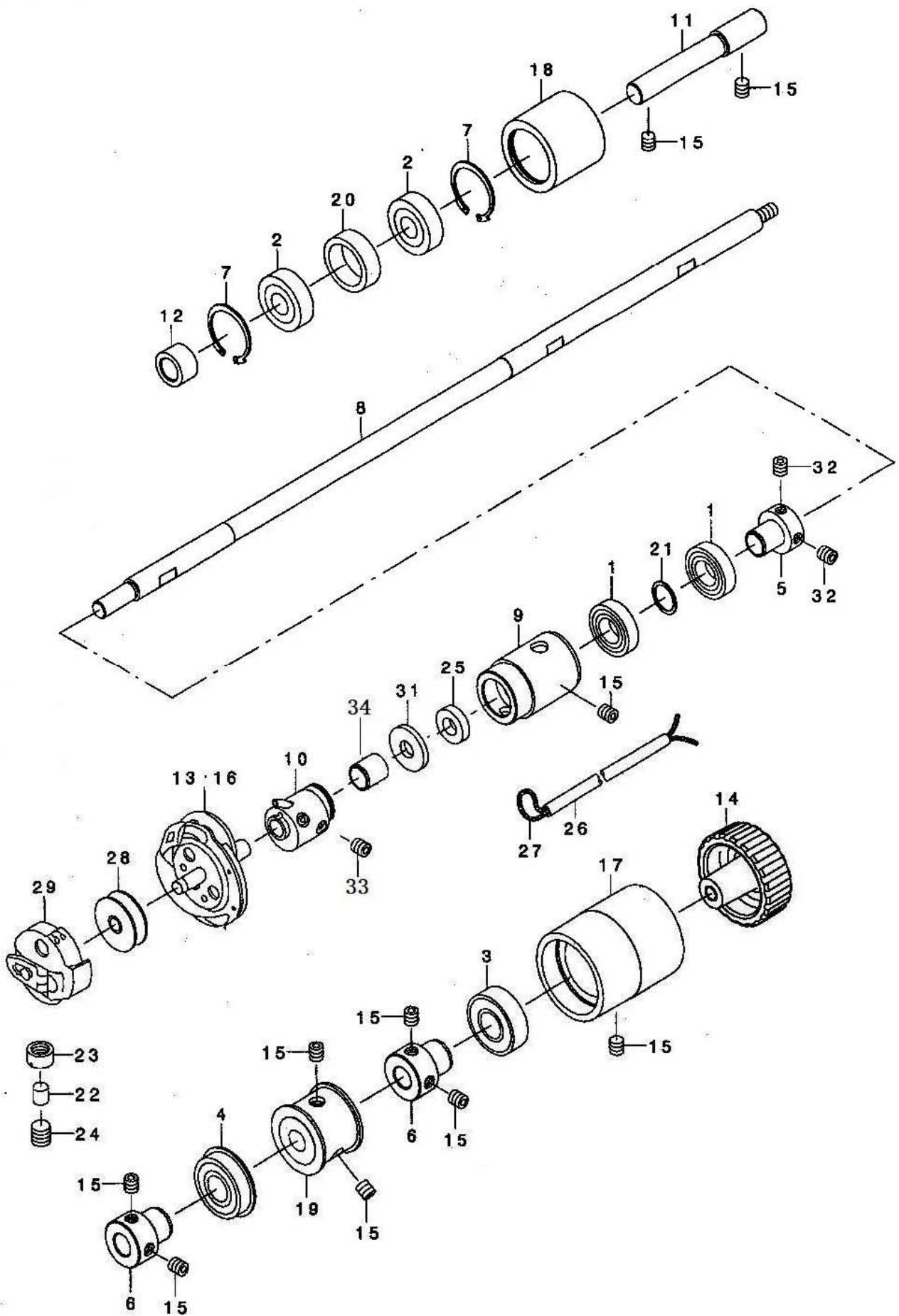
序号/NO	编号/Part NO.	名称	DESCRIPTION	数量/Qty
1	JINPF1790S0201	夹线电磁铁组件	ASSY AT SOLENOID	1
2	JINPF1790S0202	拉杆	AT SHAFT	1
3	JINPF1790S0203	夹线电磁铁连接架	AT SHAFT HOLDER	1
4	JINPF1790S0204	轴用挡圈C15	RETAINING RING,EXTERNAL C15	1
5	JINPF1790S0205	松线止动卡盘	DISK STOPPER	1
6	JINPF1790S0206	电子夹线器(组件)	DISK STOPPER HOLDER CAP	1
8	JINPF1790S0208	螺母 M2	NUT M2	2
9	JINPF1790S0209	螺钉 2. 6X4	SCREW	3
10	JINBF310167082	螺钉	SCREW	1
11	JINBF310164500	螺钉	SCREW	3
12	JINPF1790S0212	螺钉	SCREW	2
13	JINPF1790S0213	螺钉	SCREW	1
14	JINPF1790S0332	螺钉	SCREW	1
15	JINPF1790S0215	螺钉	SCREW	1
16	JINPF1790S0216	弹簧垫片 M4	WASHER,SPRING M4	1
18	JINPF1790S0218	挑线弹簧	THREAD TAKE-UP SPRING	1
19	JINPF1790S0219	夹线座	TENSION BRACKET	1
20	JINPF1790S0220	螺钉	SCREW	1
21	JINPF1790S0221	定位环	THRUST COLLAR	1
22	JINPF1790S0739	螺柱	SCREW	1
23	JINPF1790S0223	紧线器组件	ASSY THREAD TENSION POST	1
24	JINPF1790S0224	传感片内绝缘片	GUIDE PLATE	1
25	JINPF1790S0225	传感片外绝缘片	BUSHING	1
26	JINPF1790S0226	接触片	THREAD BREAK DETECTOR A	1
27	JINPF1790S0227	绕线器组件	ASSY BTW	1
28	JINPF1790S0228	绕线基座	BTW BASE	1
29	JINPF1790S0229	控制板	BTW CAM PLATE	1
30	JINPF1790S0230	绕线定位轴	BTW BASE SHAFT	1
31	JINPF1790S0231	绕线转动曲柄	BTW SHAFT BASE	1
32	JINPF1790S0232	转动卡头	BTW CAM LEVER	1
33	JINPF1790S0233	绕线驱动轮	BTW WHEEL	1
34	JINPF1790S0234	弹簧	BTW TORSION SPRING	1
35	JINPF1790S0235	挡圈	BTW BEARING SPACER	1
36	JINPF1790S0236	绕线器轴	BTW SHAFT	1
37	JINPF1790S0237	梭芯压杆轴	BTW LEVER SHAFT	1
38	JINPF1790S0238	梭芯压杆	BTW LEVER	1
39	JINPF1790S0239	梭芯垫片	BTW SPACER	1
40	JINPF1790S0240	轴承	BALL BEARING	2
41	JINPF1790S0241	橡皮圈	BOBBIN WINDER RUBBER BAND	1
42	JINPF1790S0242	梭芯弹簧	BOBBIN SPRING	1
43	JINPF1790S0243	弹簧	BTW SPRING	1
44	JINPF1790S0244	轴用挡圈 C5	RETAINING RING,EXTERNAL C5	1
45	JINPF1790S0245	挡圈 E4	RETAINING RING E4	1
46	JINPF1790S0246	平垫圈 4.5X10X0.8	WAOHER PLAIN 6.1X18. 5X2	1
47	JINPF1790S0247	螺钉	SCREW	1
48	JINPF1790S0248	螺钉	SCREW	1
49	JINPF1790S0249	螺钉	SCREW	2
52	JINPF90000132	切线刀	THREAD CUTTER	1
53	JINPF1790S0639	切线刀螺钉M3X5	SCREW	2
56	JINSCJ5049	电线夹	BINDER	10
57	JINSCJ5031	电线夹	BINDER	2
58	JINPF1790S0113	润滑油管固定片	LUBRICATING OIL WICK STOPPER	3
59	JINPF1790S0114	螺钉	SCREW	1
60	JINPF1790S0260	螺钉	SCREW	3
61	JINPFQ514101	卷线器夹线组件	BOBBIN WINDER TENSION ASSY	1
68	JINPF1790S0145	线夹	CLAMP	1
69	JINPF1790S0118	内六角圆柱头螺钉	SCREW	1
71	JINPF1790S0114	螺钉	SCREW	1
72	JINPF1790S0272	过线槽	THREAD GUIDE	1

3. 上轴部件 / MAIN SHAFT COMPONENTS



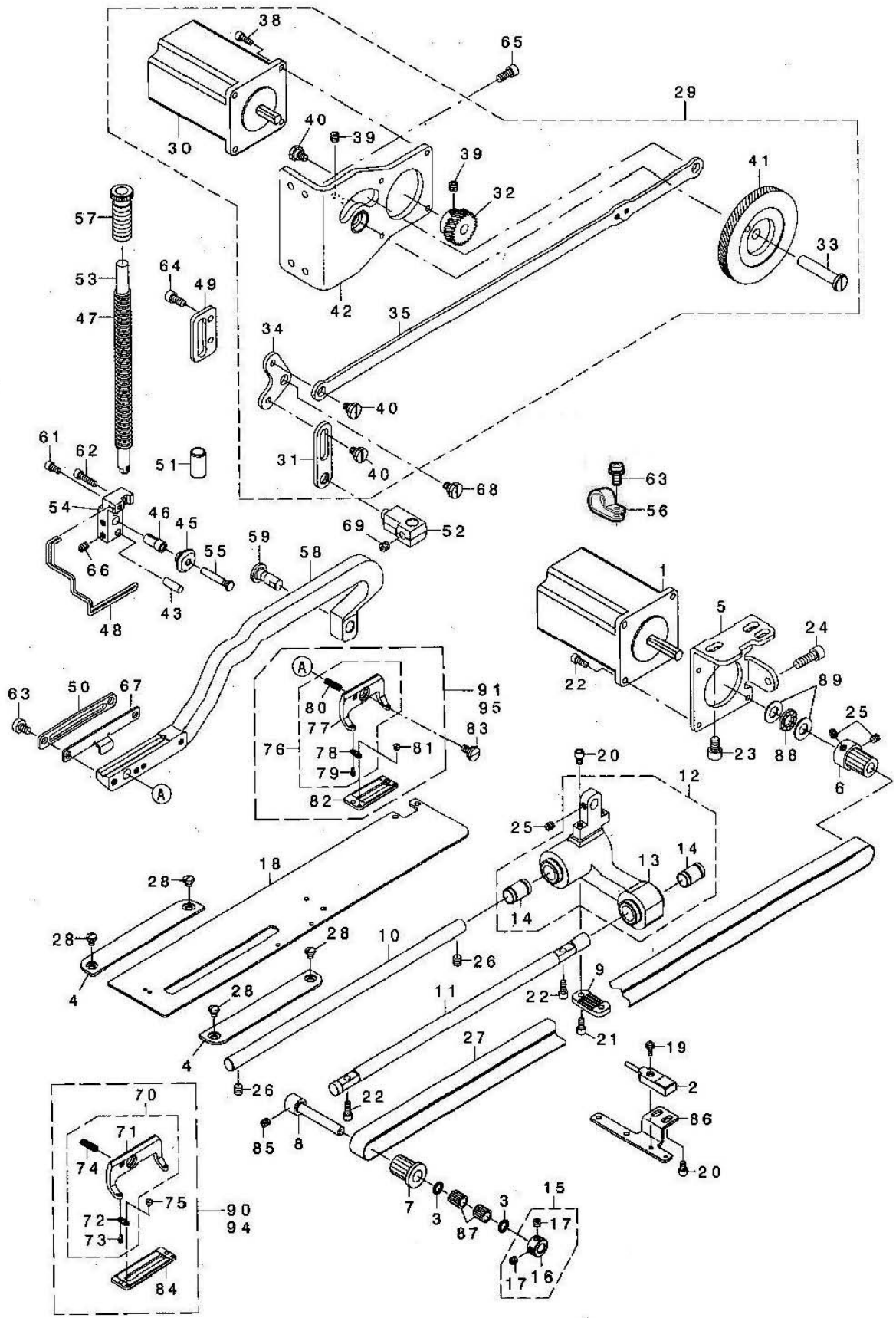
序号/NO	编号/Part NO.	名称	DESCRIPTION	数量/Qty
2	JINPF1790S0302	轴承 698LB	BALL BEARING, ARDIAL 698LB	1
3	JINPF1790S0303	轴承 605LB	BALL BEARING, ARDIAL 605LB	1
4	JINPF1790S0304	挑线连杆	THREAD TAKE UP CRANK	1
5	JINPF1790S0305	轴承 608	BALL BEARING, ARDIAL 608	1
6	JINPF1790S0306	衬套	BUSH	1
7	JINPF1790S0307	过线套	THREAD PASS BUSH	1
8	JINPF1790S0308	挑线杆组件	LINK TAKE UP	1
9	JINPF1790S0309	挑线曲柄	NEEDLE BAR CRANK	1
10	JINPF1790S0310	针杆连杆组件	NEEDLE BAR CRANK ROD	1
11	JINPF1790S0311	螺钉 SM3.57-40L	SCREW	1
13	JINPF1790S0313	轴承6304Z	BALL BEARING, ARDIAL 6304Z	1
14	JINPF1790S0314	轴承 6204	BALL BEARING, ARDIAL 6204	1
15	JINPF1790S0315	滚针轴承	NEEDLE BEARING	2
16	JINPF1790S0316	封油垫片	BEARING SUPPORT	2
17	JINPF1790S0317	上轴前轴套	BEARING HOLDER	1
18	JINPF1790S0318	绕线轮	BOBBIN WINDER DRIVING WHEEL	1
19	JINPF1790S0319	针杆曲柄螺钉	SCREW	1
20	JINPF1790S0320	针杆曲柄	COUNTER WEIGHT	1
21	JINPF1790S0321	联轴器	COUPLING	1
22	JINPF1790S0322SF3011590	主轴伺服电机	AC SERVO MOTOR	1
23	JINPF1790S0323	上轴	MAIN SHAFT	1
25	JINPF1790S0325	螺钉	SCREW	1
27	JINPF19001602	螺钉	SCREW	4
29	JINPF1790S0329	挡圈组件	THRUST COLLAR ASM	1
30	JINPF1790S0330	螺钉	SCREW	2
31	JINPF1790S0331	紧圈	SET SCREW COLLAR	1
32	JINPF1790S0332	螺钉	SCREW	6
33	JINPF1790S0333	上轴同步带轮	SPROCKET A	1
38	JINPF1790S0338	挑线连杆轴	THREAD TAKE UP CTANK SHAFT	1
39	JINBF310164514	螺钉	SCREW	2
40	JINPF1790S0340	同步带 810	TIMING BELT 810-3GT-20	1
41	JINPF1790S0341	皮带张紧轮组件	IDLER ASM	1
42	JINPF1790S0342	孔用挡圈C37	RETAINING RING,INTERNAL C37	2
43	JINPF1790S0343	轴位螺钉	SCREW	1
44	JINPF1790A0344	张力轮安装板	IDLER FIXED PLATE	1
45	JINPF1790S0345	张力轮	IDLER PULLEY	1
46	JINPF1790S0346	挡圈	INTERMEDIATE SPROCKET WASHER	1
47	JINPF1790S0347	螺母 M10	SCREW	1
49	JINPF1790S0349	螺钉	SCREW	1
50	JINPF1790S0350	轴承 6300Z	BALL BEARING, ARDIAL 6300Z	2
51	JINPF1790S0351	垫片	WASHER	1
52	JINPF1790S0352	螺钉	SCREW	1
57	JINPF1790S0332	螺钉	SCREW	6
58	JINPF1790S0358	挑线杆组件	THREAD TAKE UP ASM	1
60	JINPF1790S0360	塑料风扇	FAN	1
61	JINBF310167082	风扇螺钉	SCREW	3

4. 下轴部件 / HOOK DRIVING SHAFT COMPONENTS



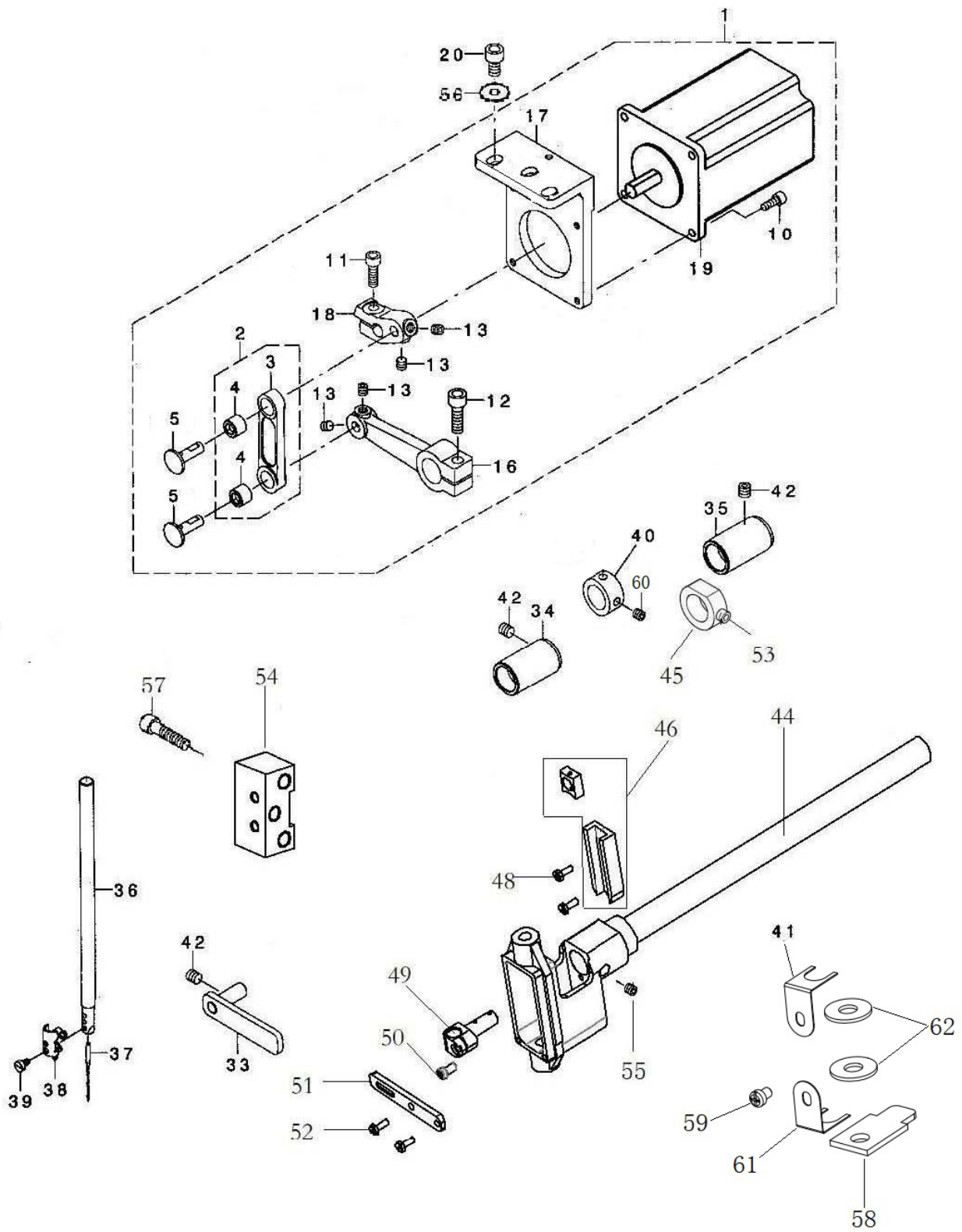
序号/NO	编号/Part NO.	名称	DESCRIPTION	数量/Qty
1	JINPF1790S0401	轴承6901LB	BALL BEARING, ARDIAL 690化B	2
2	JINPF1790S0402	轴承6000V	BALL BEARING, ARDIAL 6000V	2
3	JINPF1790S0403	轴承6202Z	BALL BEARING, ARDIAL 6202Z	1
4	JINPF1790S0404	轴承6202DV	BALL BEARING, ARDIAL 6202DV	1
5	JINPF1790S0405	下轴前轴套	BALL BEARING BUSH	1
6	JINPF1790S0406	下轴中轴套	BALL BEARING BUSH	2
7	JINPF1790S0407	孔用挡圈C27	RETAINING RING,INTERNAL C27	2
8	JINPF1790S0408	下轴	HOOK DRIVING SHAFT	1
9	JINPF1790S0409	下轴前套	HOOK DRIVING SHAFT METAL	1
10	JINPF1790S0410	旋梭连接套组件	HOOK SLEEVE ASM	1
11	JINPF1790S0411	中同步轮轴	INTERMEDIATE SPROCKET SHAFT	1
12	JINPF1790S0346	挡圈	INTERMEDIATE SPROCKET WASHER	1
13	JINPF1790S0413	旋梭(1790)	HOOK COMPL	1
14	JINPF1790S0414	手轮	CROWN KNOB	1
15	JINBF140627	螺钉	SCREW	10
16				
17	JINPF1790S0417	下轴后轴套	BEARING SUPPORT	1
18	JINPF1790S0418	中同步轮	SPROCKET B	1
19	JINPF1790S0419	下同步轮组件	SPROCKET C	1
20	JINPF1790S0420	垫圈	INTERMEDIATE SPROCKET RING	1
21	JINPF1790S0421	垫圈	WASHER	2
22	JINPF1790S0422	油量调节柱	AD JUSTING SHAFT	1
23	JINPF1790S0423	油量调节螺母	AD JUSTING NUT	1
24	JINPF1790S0424	旋梭油量调节螺钉	SCREW	1
25	JINPF1790S0425	油毡	FELT	1
26	JINSCJ5010	油管Φ4(180MM)	TUBE	1
27	JINPF19000911	油线(1M)	OIL WICK	1
28	JINPF7810310	梭芯	BOBBIN	1
29	JINPF1790S0429	梭壳	BOBBIN CASE ASM	1
31	JINPF1790S0431	油毡	FELT	1
32	JINBF310164514	螺钉	SCREW	2
33	JINPF90008129	梭桶螺钉	SCREW	4
34	JINPF1790S0434	梭桶油毡	FELT	1

5. 压脚、送料部件 / PRESSER FEED COMPONENTS



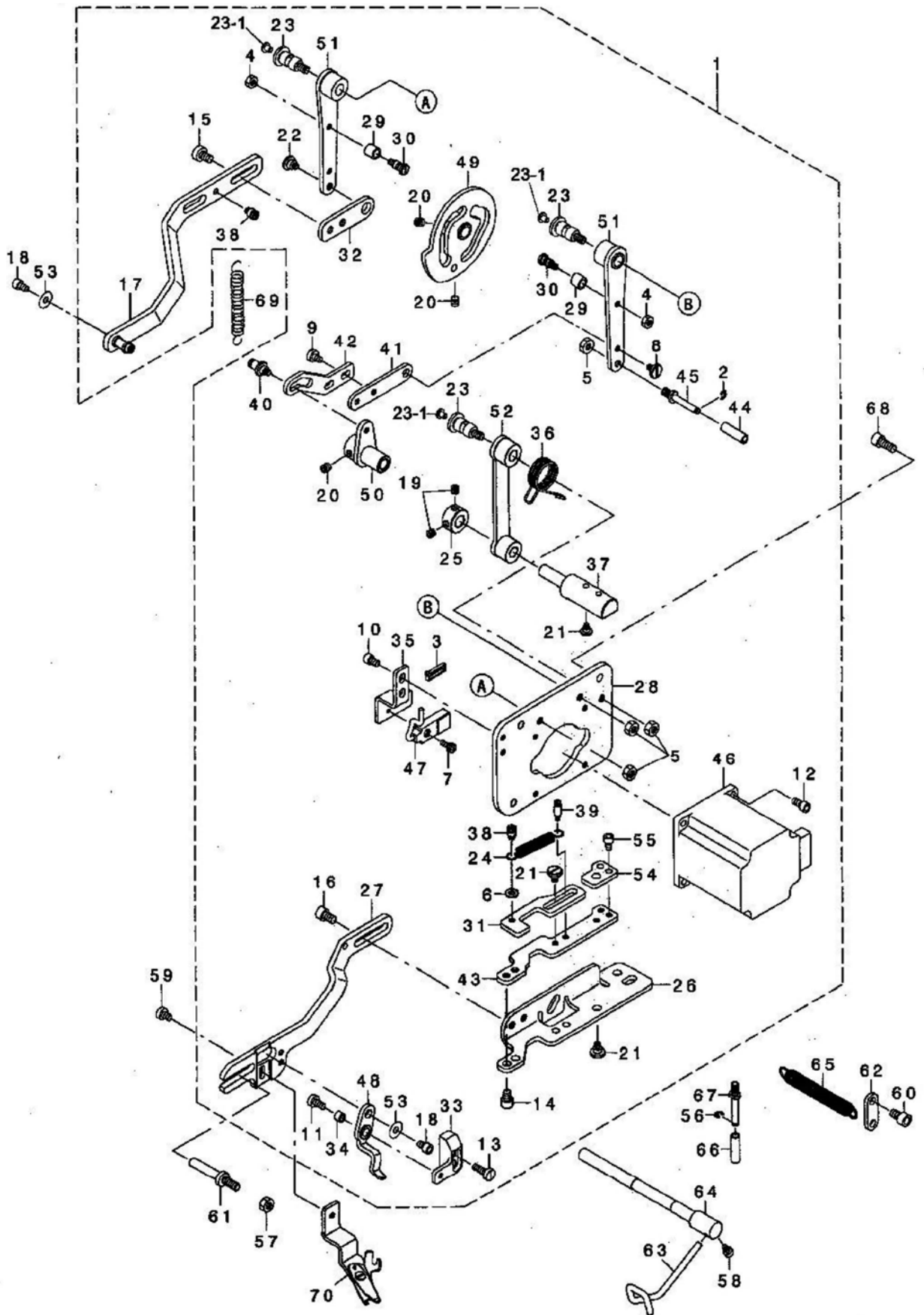
序号/NO	编号/Part NO.	名称	DESCRIPTION	数量/Qty
1	JINPF1790S0501SF01	送布马达	PEED MOTOR ASS' Y	1
2	JINPF1790S0502SF01	送布传感器	PEED SENSOR ASS' Y	1
3	JINPF1790S0503	封油垫片	BEARING SUPPORT	2
4	JINPF1790S0504	固定板	THROAT PLATE BASE COVER	2
5	JINPF1790S0505	送料电机固定板	MOTOR BRACKET	1
6	JINPF1790S0506	送布带轮主动轮	PULLEY B	1
7	JINPF1790S0507	送料带轮从动轮	PULLEY C	1
8	JINPF1790S0508	带轮轴	SUPPORT SHAFT	1
9	JINPF1790S0509	同步带固定块	TIMING BELT HOLDER	1
10	JINPF1790S0510	支架轴	FEED SHAFT	1
11	JINPF1790S0511	送料导向轴	FEED GUIDE SHAFT	1
12	JINPF1790S0512	送料架组件	FEED BASE ASM	1
13	JINPF1790S0513	送布支架	FEED BASE	1
14	JINPF1790S0514	送布支架轴承-直线轴承LM10UU	SLIDE BEARING	2
15	JINPF1790S0515	挡圈组件	THRUST COLLAR ASM	1
16	JINPF1790S0516	挡圈	SET SCREW COLLAR	1
17	JINPF430GE16	螺钉	SCREW	2
18	JINPF1790S0518	送料板	FEED PLATE	1
19	JINPF1900A0144	螺钉	SCREW	2
20	JINPF1790S0114	螺钉	SCREW	4
21	JINPF1790S0522	螺钉	SCREW	2
22	JINPF1790S0522	螺钉	SCREW	6
23	JINPF1790S0136	螺钉	SCREW	3
24	JINBF8894511	螺钉	SCREW	1
25	JINBF310164514	螺钉	SCREW	3
26	JINBF140627	螺钉	SCREW	2
27	JINPF1790S0527	送料同步带 708	TIMING BELT708-3GT-15	1
28	JINPF1790S0528	螺钉	SCREW	4
29	JINPF1790S0529	拾压脚组件	ASSY PBL GEAR MODULE	1
30	JINPF1790S0530SF01	拾压脚步进电机	CLAMP MOTOR ASS' Y	1
31	JINPF1790S0531	压脚导向连接板	PBL FRONT LINK	1
32	JINPF1790S0532	压脚升降齿轮	PBL GEAR S	1
33	JINPF1790S0533	拾压脚齿轴轴	PBL GEAR SHAFT	1
34	JINPF1790S0534	拾压脚曲柄	PBL L LINK	1
35	JINPF1790S0535	拾压脚长连杆	PBL LONG ROD	1
38	JINPF1790S0326	螺钉	SCREW	4
39	JINPF1790S0539	螺钉	SCREW	2
40	JINPF1790S0540	轴位螺钉	SCREW	4
41	JINPF1790S0541	压脚升降齿轴组件	ASSY PBL GEARL	1
42	JINPF1790S0542	拾压脚电机固定板组件	ASSY PBL MOTOR BASE	1
43	JINPF1790S0543	压杆纵向导销	PIN.SHORT	1
45	JINPF1790S0545	滑轮	SLIDE ROLLER	1
46	JINPF1790S0546	滑动滚子导套	COLLAR	1
47	JINPF1790S0547	压脚杆弹簧	PBL COIL SPRING	1
48	JINPF1790S0548	护指架	PBL FINGER GUARD	1
49	JINPF1790S0549	拾压脚导板	PBL GUIDE	1
50	JINPF1790S0550	压脚纵向导板	PBL LIFTING PLATE	1
51	JINPF1790S0551	压杆导套	PBL METAL	1
52	JINPF1790S0552	压脚杆升降支架	PBL POSITION BRACKET	1
53	JINPF1790S0553	压脚轴	PBL PRESSER BAR	1
54	JINPF1790S0554	滑轮支架	PBL POLLER BASE	1
55	JINPF1790S0555	滑轮轴	PBL ROLLER SHAFT	1
57	JINPF1790S0557	弹簧调节螺母	PBL SPRING REGULATOR	1
58	JINPF1790S0558	压脚支架	PBL WORK CLAMP ARM	1
59	JINPF1790S0559	压脚支架销	PBL WORK CLAMP ARM SHAFT	1
61	JINPF1790S0312	螺钉	SCREW	1
62	JINPF1790S0562	螺钉	SCREW	1
63	JINPF1790S0563	螺钉	SCREW	2
64	JINBF310164500	螺钉	SCREW	2
65	JINPF1790S0565	螺钉	SCREW	4
66	JINBF310164514	螺钉	SCREW	1
67	JINPF1790S0567	剪线板	UTT CLOSE CAM B	1
68	JINPF1790S0540	轴位螺钉8	SCREW	1
69	JINBF140627	螺钉	SCREW	1
70	JINPF1790S0570	压脚组件(1792)	WORK CLAMP CHECK HOLDER ASM(K)	1
71	JINPF1790S0571	压脚板座	WORK CLAMP CHECK HOLDER	1
72	JINPF1790S0572	压脚弹簧板	WORK CLAMP CHECK SPRING	2
73	JINPF1790S0573	压脚弹簧定位销	WORK CLAMP CHECK SPRING SET PI	2
74	JINPF1790S0574	压脚板座弹簧	WORK CLAMP CHECK HOLDER SPRING	1
75	JINPF1790S0575	螺钉	SCREW	2
76	JINPF1790S0576	压脚组件(3)	WORK CLAMP CHECK HOLDER ASM(S)	1
77	JINPF1790S0577	压脚板座	PRESSER FOOT	1
78	JINPF1790S0578	压脚弹簧板	WORK CLAMP CHECK SPRING	2
79	JINPF1790S0579	压脚弹簧定位销	WORK CLAMP CHECK SPRING SET PI	2
80	JINPF1790S0580	压脚板座弹簧	WORK CLAMP CHECK HOLDER SPRING	1
81	JINPF1790S0581	螺钉	SCREW	2
82	JINPF1790S0582	压脚板(3)	PRESSER(S)	1
83	JINPF7810425	压脚螺钉	SCREW	1
84	JINPF1790S0584	压脚板(1792)	WORK CLAMP CHECK (2K)	1
85	JINPF1790S0312	螺钉	SCREW	1
86	JINPF1790S0586	送料传感器固定板	SENSOR PLATE	1
87	JINPF1790S0587	滚针轴承	NEEDLE BEARING	2
88	JINPF1790S0588	单向推力球轴承	BEARING	1
89	JINPF1790S0589	垫片	WASHER	2
90	JINPF1790S0590	1790压脚(5x35)	WORK CLAMP CHECK HOLDER(1792)	1
91	JINPF1790S0591	1790压脚(4x25)	WORK CLAMP CHECK HOLDER	1
92	JINPF1790S0592	支架轴套	UTT Y-DRIVE ROLLER	1
93	JINPF1790S0540	螺钉	SCREW	1

6. 针杆摇动部件 / NEEDLE BAR ROCKING COMPONENTS



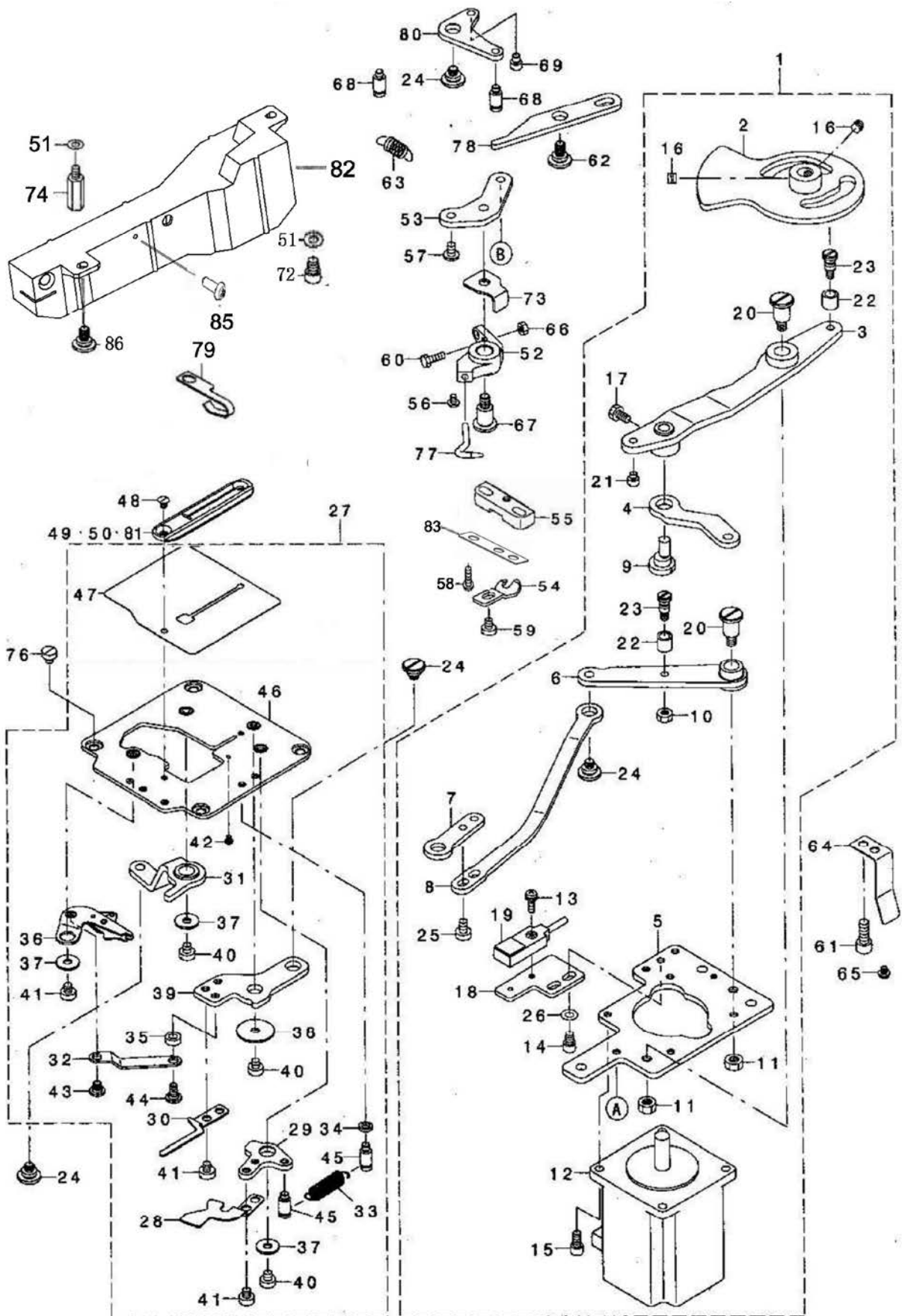
序号/NO	编号/Part NO.	名称	DESCRIPTION	数量/Qty
1	JINPF1790S0601	摆轴驱动组件	ZIGZAG DRIVE FULL ASSY	1
2	JINPF1790S0602	摆轴连杆组件	ZIGZAG ROD ASM.	1
3	JINPF1790S0603	摆轴连杆	ZIGZAG ROD	1
4	JINPF1790S0604	轴套	SHAFT HOLDER LINK BUSH	2
5	JINPF1790S0605	摆针连杆销	JUNCTION SHAFT A	2
10	JINPF1790S0326	螺钉	SCREW	4
11	JINBF310164501	螺钉	SCREW	1
12	JINPF1790S0524	螺钉	SCREW	1
13	JINBF310164514	螺钉	SCREW	4
16	JINPF1790S0616	针杆摆动曲柄	ZIGZAG LEVER REAR	1
17	JINPF1790S0617	摆针电机安装座	MOTOR BASE	1
18	JINPF1790S0618	电机连接曲柄	MOTOR LEVER	1
19	JINPF1790S0619SF01	针摆步进电机	NEEDLE SWING MOTOR ASS'Y	1
20	JINPF1790S0524	螺钉	SCREW	3
26	JINPF1790S0626	螺钉	SCREW	1
33	JINPF1790S0633	针杆架压板	FRAME SUPPORT PLATE ASM.	1
34	JINPF1790S0634	摆杆前套	BUSHING	1
35	JINPF1790S0635	摆杆后套	BUSHING REAR	1
36	JINPF1790S0636	针杆	NEEDLE BAR	1
37	JINPFDTDP511	机针 DPX5 #11J	NEEDLE DPX5 #11J	1
38	JINPF1790S0638	面线导向器	NEEDLE BAR BOBBIN THREAD GUIDE	1
39	JINPF5550312	螺钉	SCREW	1
40	JINPF1790S0640	摆轴挡圈	THRUSR COLLAR D15 W11	1
41	JINPF1790S0641	油毡压板	SCREW	1
42	JINBF140627	螺钉	SCREW	4
44	JINPF1790S0644	针摆轴	LEVER SHAFT	1
45	JINPFNA0408	挡圈	COLLAR	1
46	JINPFNA0412	滑块板 组件	SQUARE BLOCK GUIDE	1
48	JINBF310167082	螺钉	SCREW	2
49	JINPF1790S0649	针杆接头	NEEDLE BAR CORNNESTION	1
50	JINPF1790S0626	螺钉	SCREW	1
51	JINPF1790S0651	针杆导向板	GUIDE PLATE	1
52	JINBF310167082	螺钉	SCREW	2
53	JINBF310164547	螺钉	SCREW	1
54	JINPF1790S0654	导向安装块	GUIDE PLATE MOUNTING	1
55	JINBF310164514	螺钉	SCREW	2
56	JINPF7811618	平垫圈	WASHER	3
57	JINPF1790S0328	螺钉	SCREW	3
58	JINPF1790S0658	油毡	OIL FILTER	1
59	JIN PF1310D205	螺与 TM4X4	SCREW	1
60	JINBF140627	螺令丁 M5X5	SET SCREW, SOCKET (FT) M5X5	1
61	JINPFNA0415	油毡压板	OIL FILTER CLAMP	1
62	JINPF1790S0431	油毡	OIL FILTER	2

7. 上剪线部件 / NEEDLE THREAD TRIMMER COMPONENTS



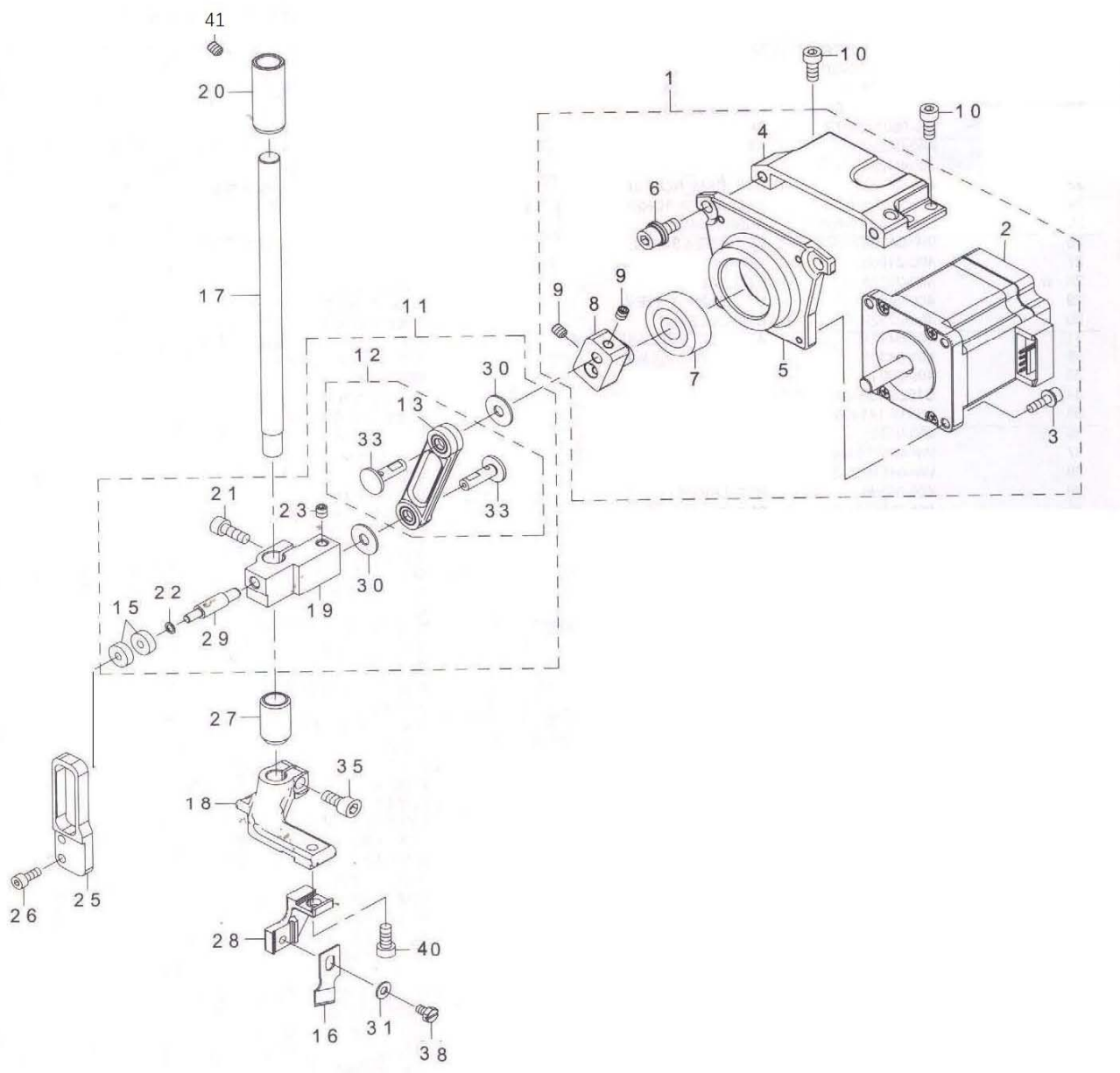
序号/NO	编号/Part NO.	名称	DESCRIPTION	数量/Qty
1	JINPF1790S0701	剪面线组件	ASSY UTT MODULE	1
2	JINSCJ1003	挡圈 E3	RETAINING RING,E3	1
3	JINSCJ5031	固定带	CABLE BAND	2
4	JINBF310164821	螺母 M4	NUT M4	2
5	JINPF1790S0622	螺母 M5	NUT M5	4
6	JINPF19000712	垫圈 4. 3X9X0. 8	WAOHER PLAIN 4.3X9X0. 8	1
7	JINPF1900A0144	螺钉	SCREW	1
8	JINPF1790S0708	螺钉	SCREW	1
9	JINPF1790S0709	螺钉	SCREW	2
10	JINPF1790S0114	螺钉	SCREW	2
11	JINBF310167082	螺钉	SCREW	1
12	JINBF310164527	螺钉	SCREW	4
13	JINPF1790S0713	螺钉	SCREW	2
14	JINPF1790S0118	螺钉	SCREW	2
15	JINPF1790S0716	螺钉	SCREW	2
16	JINPF1790S0716	螺钉	SCREW	2
17	JINPF1790S0717	开剪连杆组件	ASSY UTT RELEASE ARM	1
18	JINPF1790S0709	螺钉	SCREW	2
19	JINBF310164514	螺钉	SCREW	2
20	JINPF1790S0330	螺钉	SCREW	4
21	JINPF1790S0721	剪线导向板调节螺钉	SCREW	4
22	JINPF1790S0722	剪线连接板轴位螺钉 M5	SCREW	1
23	JINPF1790S0723	轴位连接螺钉	SCREW	3
24	JINPF1790S0724	导向板弹簧	SPRING	1
25	JINPF1790S0725	紧圈	THRUST COLLAR D8 W9	1
26	JINPF1790S0726	上切线支撑臂A	UTT ARM A	1
27	JINPF1790S0727	上切线悬臂B	UTT ARM A	1
28	JINPF1790S0728	上切刀部件安装板	UTT BASE PLATE	1
29	JINPF1790S0729	上切线凸轮滚柱	UTT CAM ROLLER	2
30	JINPF1790S0823	上切线凸轮滚柱导向螺钉	SCREW	2
31	JINPF1790S0731	剪刀进退导向板	UTT RATCH PLATE	1
32	JINPF1790S0732	上切线松线臂A	UTT RELEASE ARM A	1
33	JINPF1790S0733	松线座	UTT RELEASE LEVER BASE	1
34	JINPF1790S0734	松线拨动杆套	UTT Y-DRIVE SHAFT	1
35	JINPF1790S0735	上切线传感器安装板	UTT SENSOR BASE	1
36	JINPF1790S0736	上切线支架扭簧	UTT_SUPPORT_ARM_SPRING	1
37	JINPF1790S0737	上切线支承轴	UTT SUPPORT SHAFT	1
38	JINPF1790S0738	拉簧短螺钉	SCREW	2
39	JINPF1790S0739	拉簧长螺钉	SCREW	1
40	JINPF1790S0740	轴位连接螺钉	SCREW	1
41	JINPF1790S0741	上切线连接杆A	UTT THREAD PULLONG LINK A	1
42	JINPF1790S0742	上切线连接杆B	UTT THREAD PULLONG LINK B	1
43	JINPF1790S0743	上切线X板	UTT X-CAM	1
44	JINPF1790S0744	轴套	UTT Y-DRIVE ROLLER	1
45	JINPF1790S0745	轴	UTT Y-DRIVE SHAFT	1
46	JINPF1790S0746SF01	上切线电机	UT TRIM MOTOR ASS'Y	1
47	JINPF1790S0747SF01	上切线传感器	UT TRIM SENSOR ASS'Y	1
48	JINPF1790S0748	松线拨动杆组件	ASSY UTT RELEASE LEVER	1
49	JINPF1790S0749	上切线凸轮组件	ASSY UTT CAM	1
50	JINPF1790S0750	上切线连接臂组件	ASSY UTT THREAD PULLING ARM	1
51	JINPF1790S0751	上切线凸轮导向板组件	ASSY UTT CAM ARM	2
52	JINPF1790S0752	上切线支撑臂组件	ASSY UTT SUPPORT ARM	1
53	JINPF1790S0753	垫片	PLAIN WASHER 4.3X12X1	1
54	JINPF1790S0754	止动平板	BUTTON SUPPORT LEVER SPRING	1
55	JINPF1790S0114	螺钉	SCREW	2
56	JINSCJ1003	挡圈	E-RING 3	1
57	JINPF1790S0622	螺母	NUT M5	1
58	JINPF1790S0114	螺钉	SCREW	1
59	JINPF1790S0114	切刀组件安装螺钉	SCREW	1
60	JINPF1790S0565	螺钉	SCREW	1
61	JINPF1790S0761	导向轴	UTT GUIDE SHAFT	1
62	JINPF1790S0762	弹簧吊钩板	UTT SUSPENSION PLATE	1
63	JINPF1790S0763	上切线拉线杆	UTT THREAD PULLING LEVER	1
64	JINPF1790S0764	拉线轴	UTT THREAD PULLING SHAFT	1
65	JINPF1790S0765	上切线拉簧	UTT TRIMMER CLOSE SPRING	1
66	JINPF1790S0744	轴套	UTT Y-DRIVE ROLLER	1
67	JINPF1790S0745	轴	UTT Y-DRIVE SHAFT	1
68	JINPF1790S0565	螺钉	SCREW	3
69	JINPF1790S0769	缓线钩复位弹簧	BUTTON SUPPORT LEVER SPRING	1
70	JINPF1790S0770	上剪线刀组件	ASSY UTT TRIMMER	1

8. 下剪线部件 / BOBBIN THREAD TRIMMER COMPONENTS



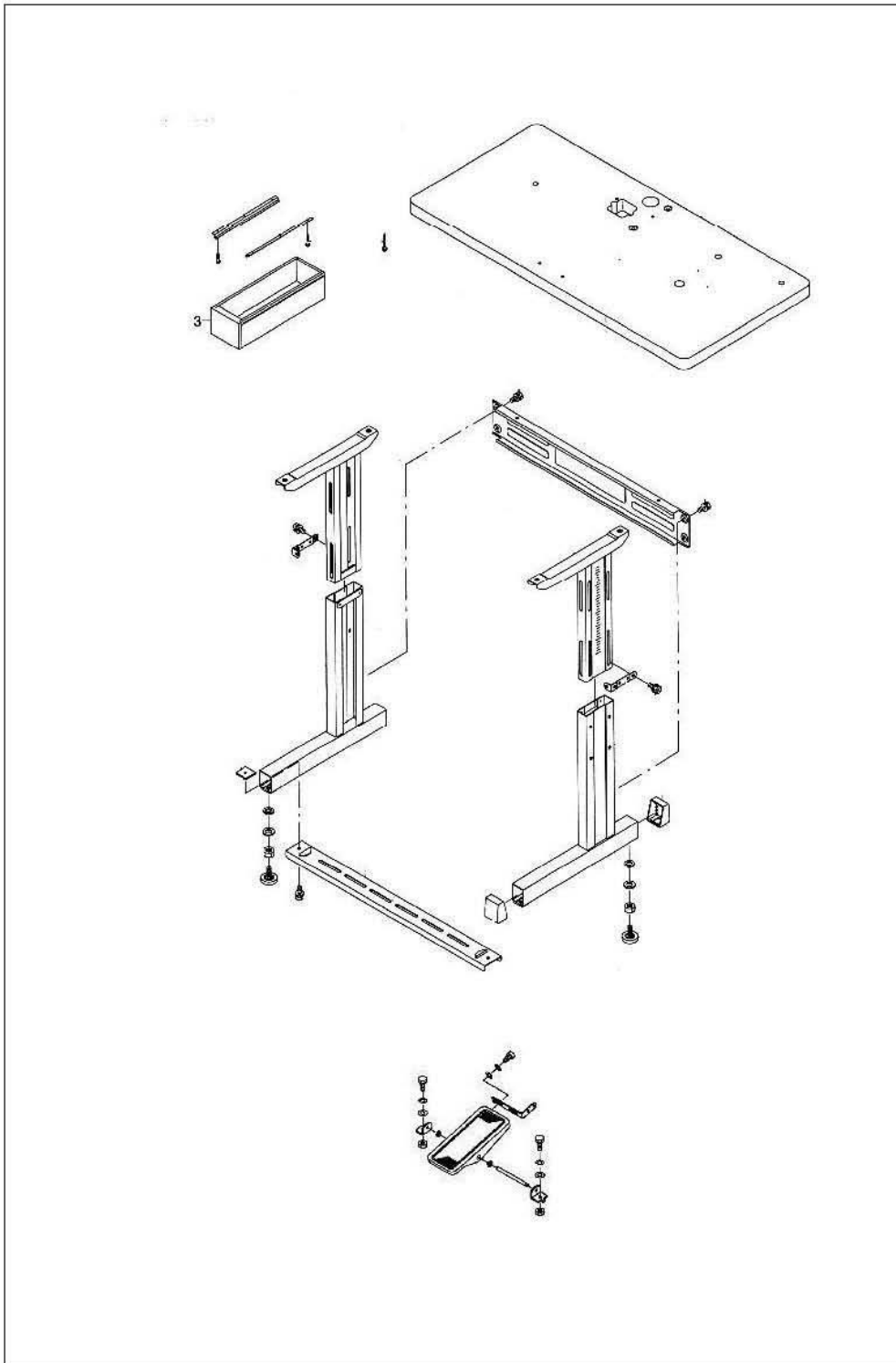
序号/NO	编号/Part NO.	名称	DESCRIPTION	数量/Qty
1	JINPF1790S0801	剪底线组件	BTT DRIVE UNIT	1
2	JINPF1790S0802	剪底线凸轮组件	ASSY BTT DRIVE CAM	1
3	JINPF1790S0803	剪底线连杆组件	ASSY BTT DRIVE LEVER	1
4	JINPF1790S0804	剪底线连杆	BTT DRIVE LINK	1
5	JINPF1790S0805	底线电机安装板	BTT DRIVE UNIT BASE	1
6	JINPF1790S0806	剪底线导向曲柄组件	ASSY BTT RELEASE LEVER	1
7	JINPF1790S0807	剪刀调节板	BTT RELEASE LINK F	1
8	JINPF1790S0808	剪底线导向曲柄连杆	BTT RELEASE LINK R	1
9	JINPF1790S0809	偏心轴销	LINK ROD	1
10	JINBF310164821	螺母 M4	NUT M4	3
11	JINPF1790S0622	螺母 M5	NUT M5	2
12	JINPF1790S0812SF01	剪底线步进电机	LT TRIM MOTOR ASS' Y	1
13	JINPF1900A0144	螺钉	SCREW	1
14	JINPF1790S0114	螺钉	SCREW	2
15	JINBF310164527	螺钉	SCREW	4
16	JINBF310164514	螺钉	SCREW	2
17	JINPF1790S0938	螺钉	SCREW	1
18	JINPF1790S0818	传感器安装板	SENSOR FITTING PLATE BT	1
19	JINPF1790S0819SF01	传感器	LT TRIM SENSOR ASS' Y	1
20	JINPF1790S0820	轴位螺钉	SCREW	2
21	JINPF1790S0821	止动销	STOPPER PIN	1
22	JINPF1790S0729	滚柱	UTTCAM ROLLER	2
23	JINPF1790S0823	滚子连接销	UTTCAM ROLLER SHAFT	2
24	JINPF1790S0824	轴位螺钉	SCREW	2
25	JINPF1790S0709	螺钉	SCREW	2
27	JINPF1790S0827	针板组件	THROAT PLATE BASE UNIT	1
28	JINPF1790S0828	剪线器压板	BT CLAMP B	1
29	JINPF1790S0829	固定板	BT CLAMP LEVER	1
30	JINPF1790S0830	底线导线器	BT PULLER B	1
31	JINPF1790S0831	剪线控制板组件	ASSY BT RELEASE ARM	1
32	JINPF1790S0832	传动连接杆	BT TRIMMER LINK	1
33	JINPF1790S0833	弹簧	CLAMP SPRING	1
34	JINPF1790S0834	垫圈	WASHER	1
35	JINPF1790S0835	垫圈	WASHER	1
36	JINPF1790S0836	下剪线刀组件	BT TRIMMER	1
37	JINPF1790S0837	垫圈 4.3X12X1	WAOHER PLAIN 4.3X12X1	3
38	JINPF1790S0838	垫圈 4.5X20X1	WAOHER PLAIN 4.5X20X1	1
39	JINPF1790S0839	剪底线传动板	BTT LEVER	1
40	JINPF1790S0840	螺钉	SCREW	3
41	JINPF1790S0841	螺钉	SCREW	5
42	JINPF1790S0842	轴位螺钉	SCREW	1
43	JINPF1790S0843	轴位螺钉	SCREW	1
44	JINPF1790S0844	轴位螺钉	SCREW	1
45	JINPF1790S0845	挂簧螺钉	SCREW	2
46	JINPF1790S0846	剪线组件安装板	ASSY THROAT PLATE BASE	1
47	JINPF1790S0847	防油板	OIL SHIELD	1
48	JINPF1790S0848	螺钉	SCREW	2
49	JINPF1790S0849	针板(S5)	THROAT PLATE (1790S5)	1
50	JINPF1790S0850A	针板(K5)	THROAT PLATE (1790K)	1
51	JINPF1790S0851	平垫圈M4	WAOHER PLAIN M4	2
52	JINPF1790S0852	下挡线器座	PICKER BASE	1
53	JINPF1790S0853	下挡线器连接板	PICDER BASE FITTNG PLATE	1
54	JINPF1790S0854	旋梭定位钩	STOPPER A	1
55	JINPF1790S0855	定位钩安装板	BOBBIN CASE POSITIONING PLATEE	1
56	JINPF1790S0639	螺钉	SCREW	1
57	JINPF1790S0709	螺钉	SCREW	1
58	JINPF1790S0858	螺钉	SCREW	2
59	JINPF1790S0709	螺钉	SCREW	1
60	JINBF310167022	螺钉	SCREW	1
61	JINBF310164500	螺钉	SCREW	3
62	JINPF1790S0824	轴位螺钉	SCREW	1
63	JINPF1790S0863	弹簧	PICKER SPRING	1
64	JINPF1790S0864	安全开关板	SAFETY SWITCH PRESSING PLATE	1
65	JINPF1790S0856	螺钉 M3X3	SCREW	1
66	JINBF310164821	螺母 M4	NUT M4	1
67	JINPF1790S0820	轴位螺钉	SCREW	1
68	JINPF1790S0868	挂簧螺钉	SCREW	2
69	JINPF1790S0821	止动销	STOPPER PIN	1
72	JINPF1790S0709	螺钉	SCREW	1
73	JINPF1790S0873	止动板	PICKEP BASE STOPPER	1
74	JINPF1790S0874	螺钉	SCREW	1
75	JINPF1790S0119	螺钉	SCREW	1
76	JINBF310167082	螺钉	SCREW	4
77	JINPF1790S0877	下挡线器	PICKER	1
78	JINPF1790S0878	下挡线传动杆	PICDER ACTUATING LEVER	1
79	JINPF1790S0113	润滑油管固定片	LUBRICATING OIL WICK STOPPER	1
80	JINPF1790S0880	下挡线传动板	PICKER ACTUATING L LINK	1
82	JINPF1790S0882	一体油盒	WAOHER PLAIN 4.3X9X0.8	1
83	JINPF1790S0883	旋梭定位钩座垫片	WASHER	1
85	JINSCJ2081	自攻螺钉	SCREW	1
86	JINPF1790S0708	轴位螺钉	SCREW	1

9. 切刀部件 / CLOTH CUTTING KNIFE COMPONENTS



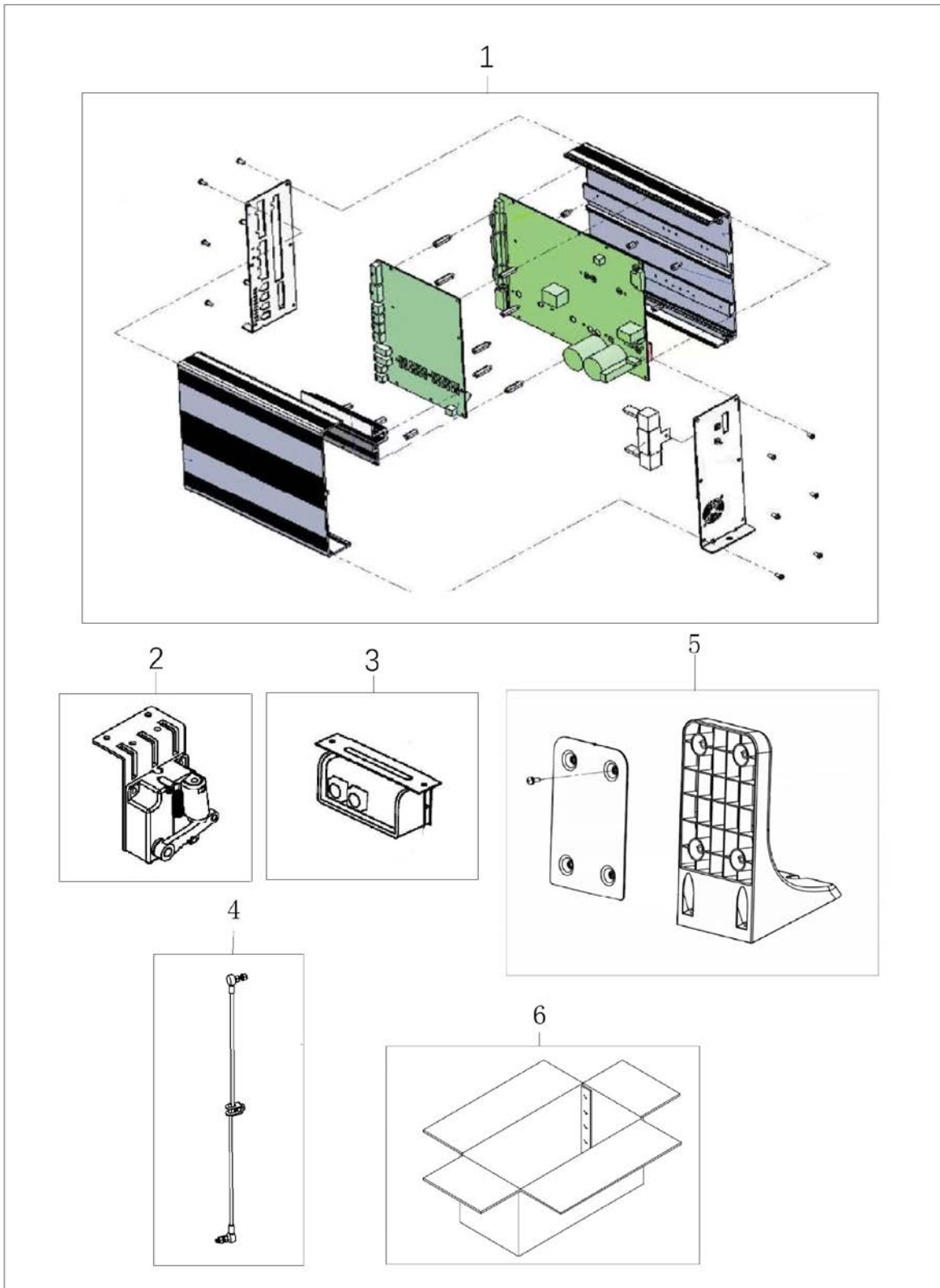
序号/NO	编号/Part NO.	名称	DESCRIPTION	数量/Qty
1	JINPF1790S0901	切布电机组件	CLOTH CUT MOTOR ASSY	1
2	JINPF1790S0902SF01	切布电机	CLOTH CUT MOTOR ASSY	1
3	JINPF1790S0326	螺钉	SCREW	4
4	JINPF1790A0904	电机座A	MOTOR_BASE_A	1
5	JINPF1790A0905	电机座B	MOTOR_BASE_B	1
6	JINPF1790S0136	螺钉	SCREW	2
7	JINPFM90521	轴承6201	BEARING	1
8	JINPF1790A0908	切刀驱动块	KNIFE_DRIVING_BLOCK	1
9	JINBF310164514	螺钉	SCREW	3
10	JINPF1790S0565	紧定螺钉 M5X0.8 L=12	SCREW	4
11	JINPF1790S0911	切布驱动组件	KNIFE_DRIVING_ASSY	1
12	JINPF1790S0912	切布驱动连杆总组件	KNIFE_DRIVING_LINK_ASSY	1
13	JINPF1790A0913	切布驱动连杆组件	KNIFE_DRIVING_LINK_COMBINATION	1
15	JINPF1790A0915	轴承	BEARING	2
16	JINPF7810921	刀片1/2"	KNIFE 1/2	1
17	JINPF1790S0917	切刀轴	KNIFE BAR	1
18	JINPF1790S0918	切刀杆座	KNIFE BAR BASE	1
19	JINPF1790A0919	切刀杆座	KNIFE_BAR_BRACKET	1
20	JINPF1790S0920	切刀杆上衬套	KNIFE_BAR_BUSH	1
21	JINPF19001602	螺钉 M5X20	SCREW	1
22	JINPF1790S0922	垫圈	AT_PIVOT_SCREW_WASHER	1
23	JINBF310164514	螺钉	SCREW	1
25	JINPF1790A0925	切刀导向板	SUPPORT_GUIDE	1
26	JINPF1790S0522	螺钉 M4 L=10	SCREW	2
27	JINPF1790S0927	切刀杆下衬套	KNIFE_BAR_LOWER_BUSHING	1
28	JINPF1790S0928	切刀安装座	KNIFE FITTING BASE	1
29	JINPF1790A0929	支撑杆	SUPPORT_SHAFT	1
30	JINPF1790S0356	垫圈	THRUST WASHER	2
31	JINPF1790S0931	垫圈 M4	WASHER M4	1
33	JINPF1790S0605	连接轴	P=JUNCTION SHAFT SELECTIVE	2
35	JINPF1790S0935	螺钉 M6 L=12	SCREW	1
38	JINPF1790S0938	螺钉	SCREW	1
40	JINPF1790S0565	螺钉	SCREW	1
41	JINBF310164514	螺钉	SCREW	1

10. 台板部件 / TABLE COMPONENTS



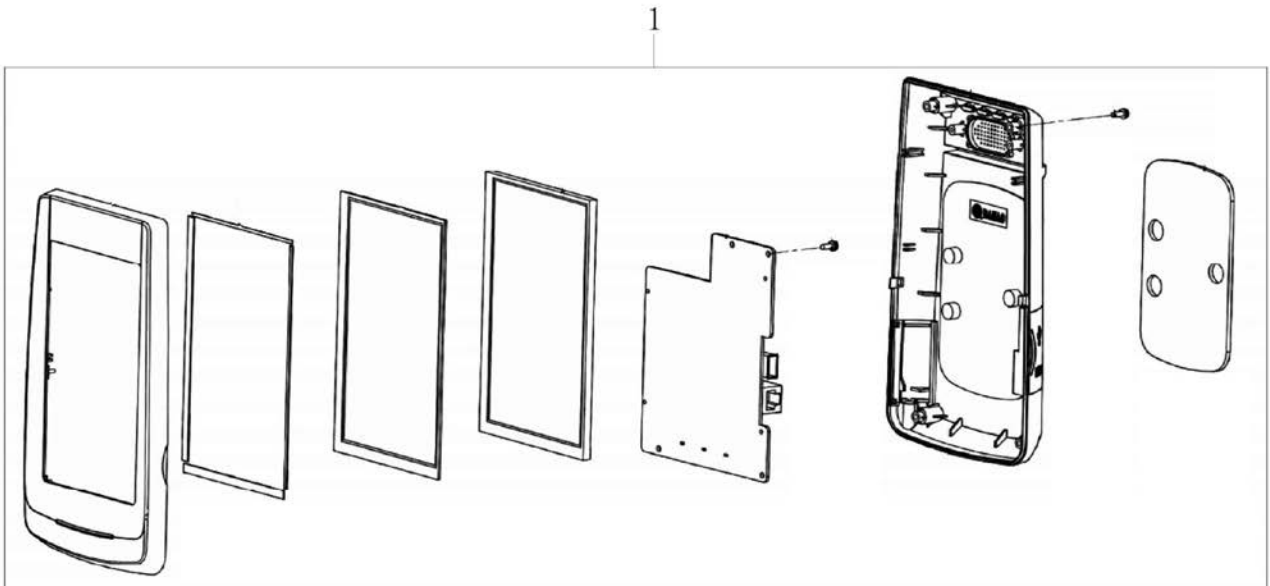
序号/NO	编号/Part NO.	名称	DESCRIPTION	数量/Qty
1	JINPF1790TB-05	台板	TABLE	1

11. 电控箱部件 / CONTROL BOX COMPONENTS (CB-10)



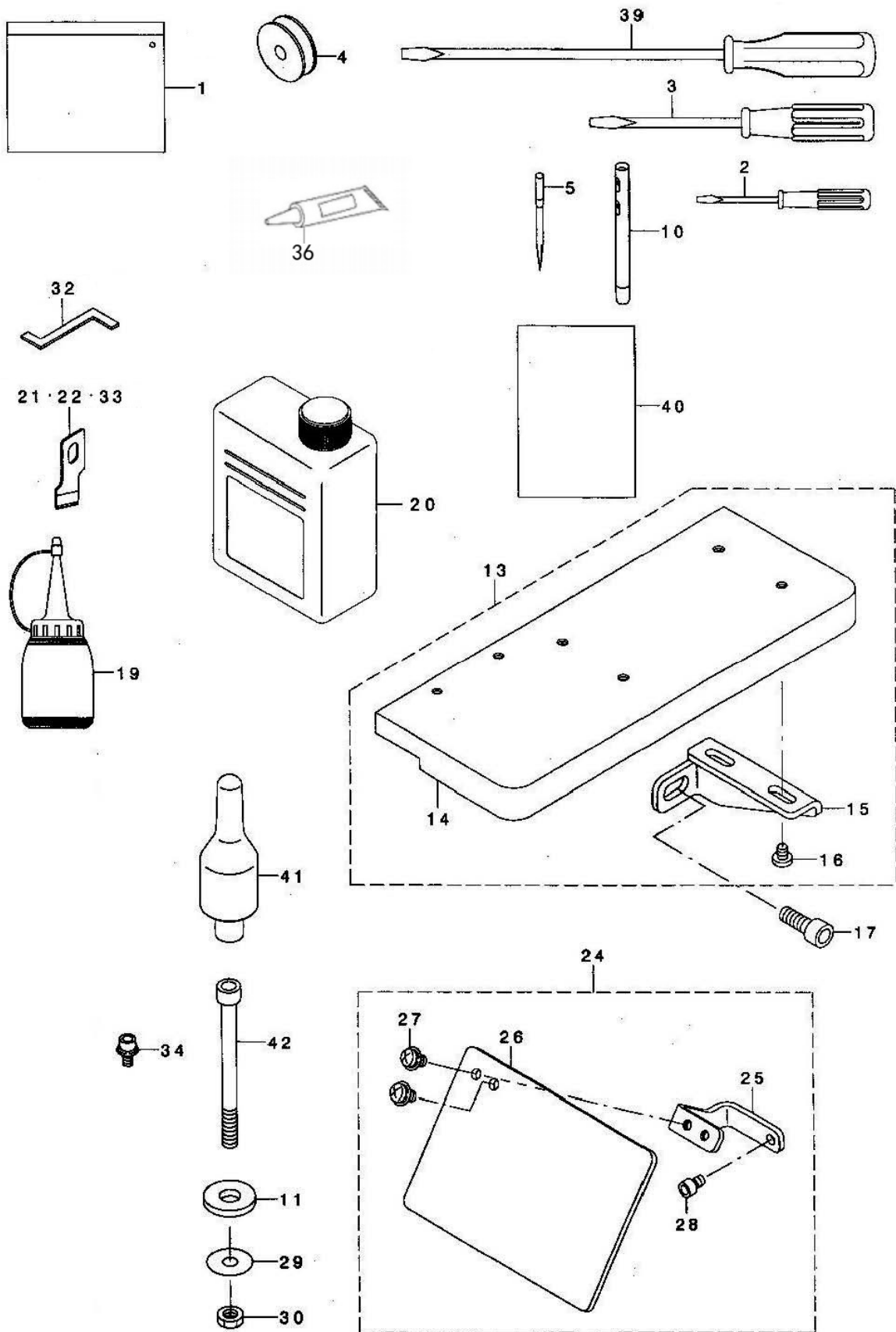
序号/NO	编号/Part NO.	名称	DESCRIPTION	数量/Qty
1	JINPF1790B1101SF1007033	电控箱	CONTROL BOX	1
2	JINPF1790B1101SF2008582	脚踏开关	PEDAL SENSOR ASM.	1
3	JINPF1790B1101SF1004325	电源线/电源开关	CONNECTING ROD ASM	1
4	JINPF1790B1101SF3004708	球形拉杆	CONNECTING_ROD	1
5	JINPF1790B1101SF1005867	显示屏支架	HOLDER	1
6	JINBZ2513	包装箱	BOX	1
7	JINPF1790B1101	屯控箱组件(CB-10)	CONTROL BOX ASSY (CB-10)	1

12. 操作面板部件 / OPERATION BOX COMPONENTS



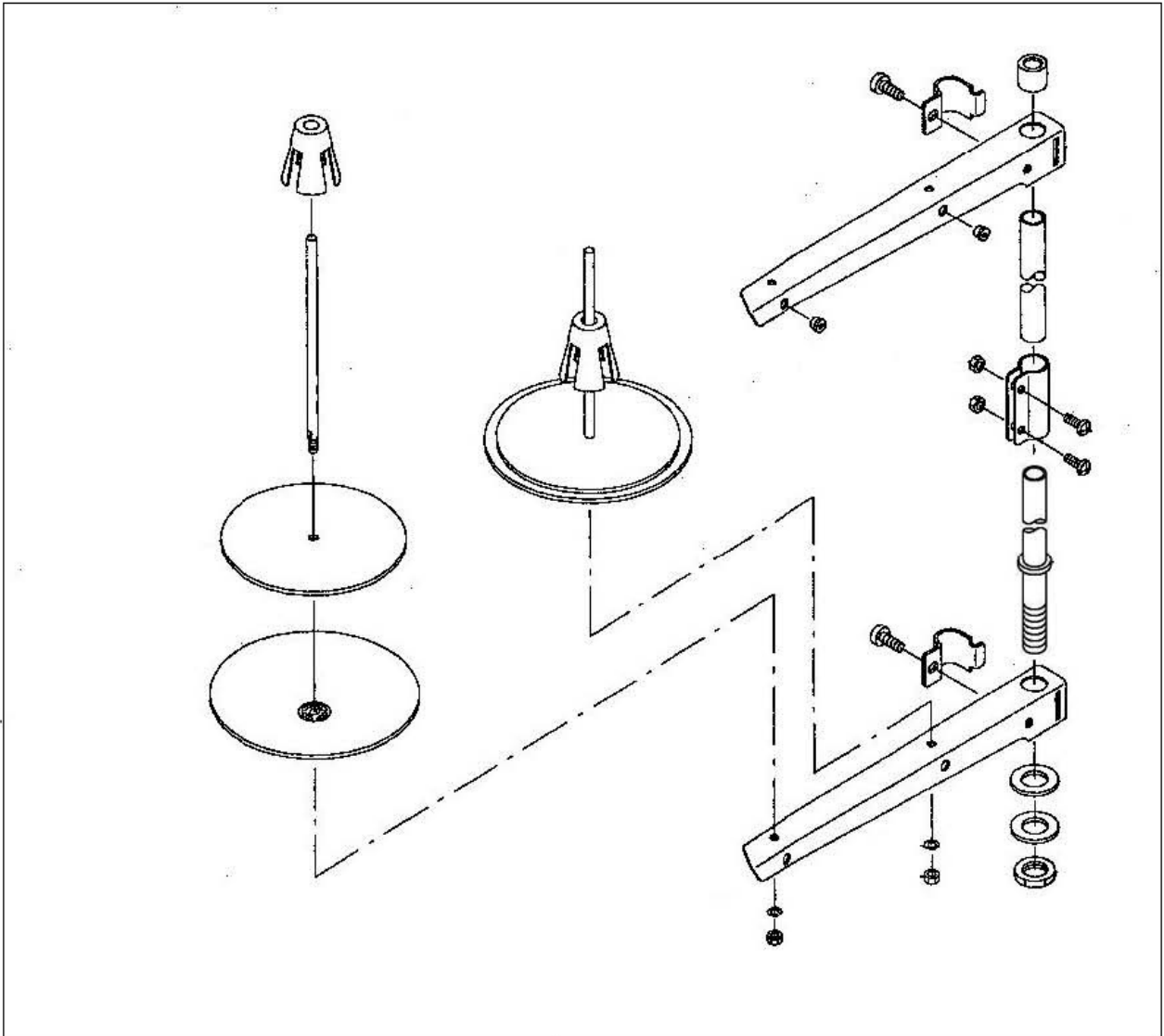
序号/NO	编号/Part NO.	名称	DESCRIPTION	数量/Qty
1	JINPF1790B1101SF1007724	操作面板组件	OPERATION PANEL ASS'Y	1

14. 附件 / Accessories



序号/NO	编号/Part NO.	名称	DESCRIPTION	数量/Qty
1	JINPF1790S1405	机头罩	ACCESSORIE BAG	1
2	JINPF55501018	一字螺丝刀(小)	SCREW DRIVER.SMALL	1
3	JINPF55501017	一字螺丝刀(中)	SCREW DRIVER.MIDDLE	1
4	JINPF7810310	梭芯	BOBBIN	3
5	JINPFDTDP511	机针#11	NEEDLE DPX5 #11	4
10	JINPF5550H335	过线轴	THREAD GUIDE BAR	1
11	JINPF1790S0161	垫圈	RUBBER CUSHION(B)	4
13	JINPF1790S1413	辅助桌板组件	AUXILIARY TABLE ASM.	1
14	JINPF1790S1514	辅助桌板	AUXILIARY TABLE	1
15	JINPF1790S1515	托架	INSTALLING PLATE	2
16	JINPF7810831	螺钉 SM11/64"-40	SCREW	4
17	JINPF1790S0935	螺钉	SCREW	2
19	JINPF68425Z134	油壶组件	OILER ASSY	1
20	JINPF55501022	油罐组件	OIL TANK ASSY	1
21	JINPF7811935	切刀5/8"	KNIFE 5/8"	1
22	JINPF7810921	切刀1/2"	KNIFE 1/2"	1
24	JINPF1790S1424	护眼板组件	ASSY SAFETY PLATE B	1
25	JINPF1790S1525	护眼板托架	SAFETY PLATE BESE	1
26	JINPF1900150102	护眼板	SAFETY PLATE	1
27	JINPF1790S0120	螺钉(带垫圈)M4X8	SCREW	2
28	JINPF1790S0114	螺钉	SCREW	1
29	JINPF1790S0155	垫圈 6.1X18.5X2	WAOHER PLAIN 6.1X18. 5X2	4
30	JINPF1790S0153	螺母M6	NUT M6	4
32	JINPF1790S1507	定时调节钩	TIMING GAUGE, DMESTIC USE.	1
33	JINPF7811932	切刀3/8"	KNIFE 3/8"	1
34	JINPF1790S0120	螺栓	BOLT	3
36	JINPF1790S1436	润滑脂组件	GREASE UNIT	1
39	JINPF55501016	一字螺丝刀(大)	SCREW DRIVER.LARGE	1
40	JINBZ4052	说明书	INSTRUCTION MANUAL	1
41	JINPF19000122	机头撑杆	HEAD REST	1
42	JINPF19000118	螺栓	HEXAGON BOLT	4

15. 线架装置部件 / Thread stand components



1

序号/NO	编号/Part NO.	名称	DESCRIPTION	数量/Qty
1	JINPF5550112701	线架组件	COTTON STAND ASSY	1