

JUKI®

INDUSTRIAL SEWING MACHINE
Attachment

MODEL

MP-G20-MF


TECHNICAL MANUAL

Manual Foot Pedal

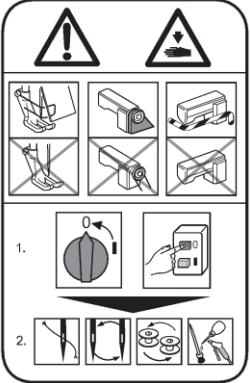


FOR SAFE USE

Before the installation, operation, and inspection for this product, read the “FOR SAFE USE” and the technical manuals carefully. Also read the other technical manuals, “Sewing Machine Head”, “Control Unit” and “Operation Panel” describing some instructions, which are not in this manual, and use the sewing machine properly.

SAFETY INDICATIONS

	<p>CAUTION</p>	<p>Indicates that incorrect handling may cause hazardous conditions, resulting in medium or slight personal injury or physical damage. Note that CAUTION level may lead to a serious consequence according to the circumstances. Always follow the instructions of both levels because they are important to personal safety.</p>
---	-----------------------	---

CAUTION INDICATIONS

No.	Caution indication	Description
1		<p><u>Precaution for sewing machine operation:</u></p> <p>Indicates that removing the safety and operating the sewing machine for some other purposes with power-on are prohibited.</p> <ul style="list-style-type: none"> ● Please do not operate the sewing machine without protective equipment such as a needle guard, an eye guard, a belt cover or the others. ● Please turn off the power switch when threading, changing a needle and a bobbin, cleaning, and lubricating.
2		<p><u>Caution for fingers injury:</u></p> <p>Indicates a possibility of fingers (hands) injury in a certain condition.</p>
3		<p><u>Caution for squeezing fingers:</u></p> <p>Indicates a possibility of squeezing fingers in a certain condition.</p>

1. Setup procedures

1-1. Pedal mechanism

- 1) Tighten the screws (102) halfway in A and B of the table back side.
- 2) Hang the long hole point A and B of the link unit (101).
- 3) Adjust the position of the link unit (101). Tighten the remaining screws (102) and tighten the screw of temporary tightening.
- 4) Attach the pedal unit (103) and the holder (104) by the screws (105).
- 5) Put projection part of the holders (104) in the long hole of the support stand. Temporarily fixed the holder (104) by the nuts (106) and the bolts (107).
- 6) Fix the link unit (101) and the rod link (108) by the bolts (109) and the nuts (110).
- 7) Fix the rod link (108) and the pedal (111) by the bolt (112) and the nut (110).
- 8) The pedal unit (103) is sideways moved to the position in which the rod link (108) does not fall to right and left. Fix with the bolts (107).
- 9) Loosen the D bolts. The pedal is moved back and forth at the position that steps easily. Tighten the D bolts.
- 10) Tighten the C bolts of the rod link (108).
- 11) Hang the hook (113) on the E hole. (after assembling the manual mechanism)

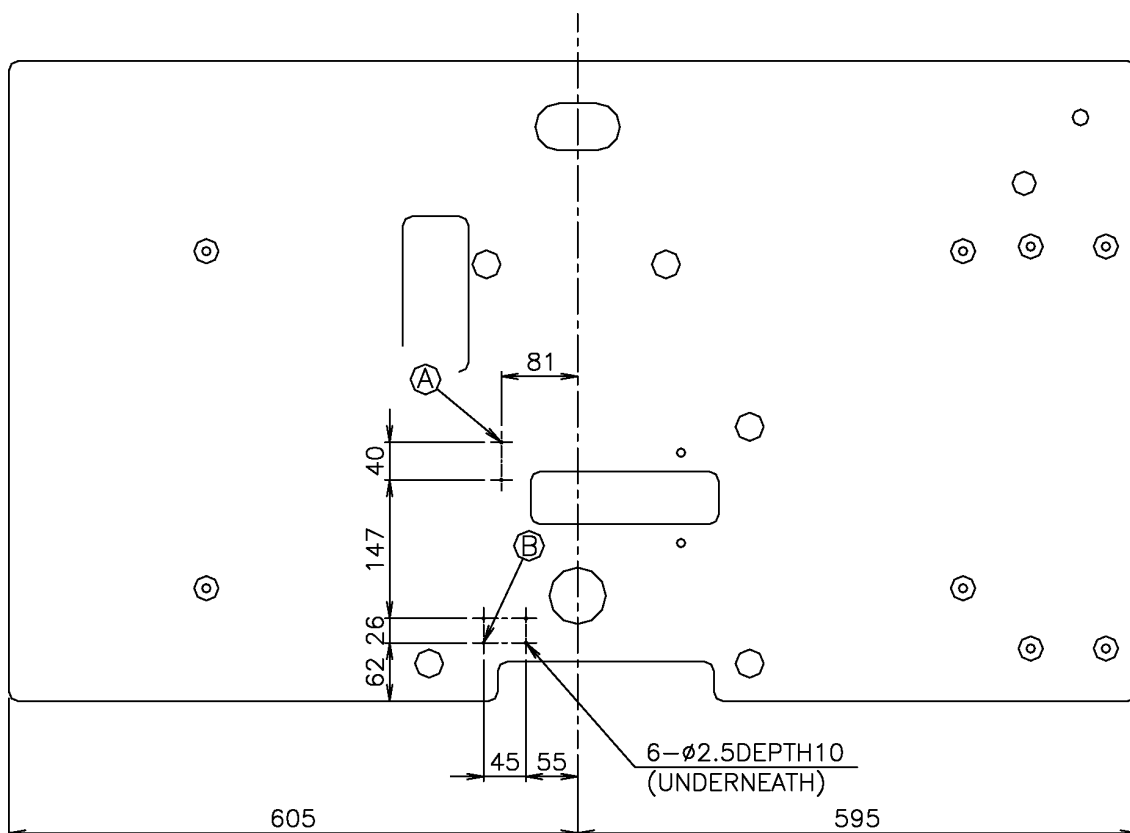


Fig.1 An installation position to the table (the back side)

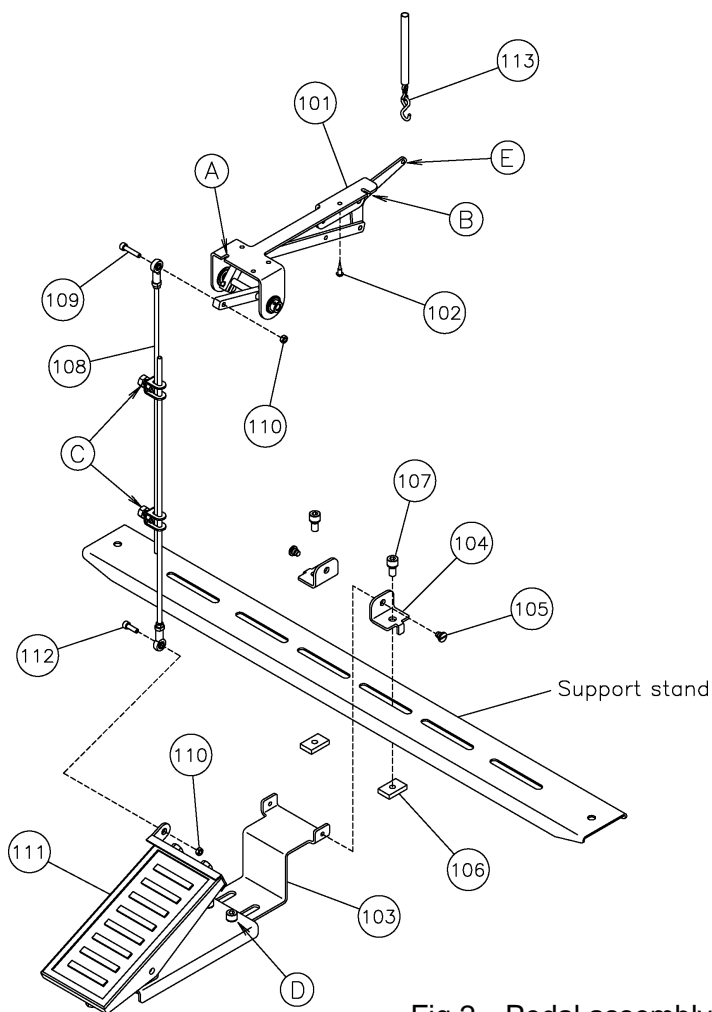


Fig.2 Pedal assembly figure

1-1. Pedal assembly (Parts list)

Fig	部品コード	品名	Description	数量
No.	Parts No.			Amt.
				Req.
101	MH20M0748	ペダルリンクキコウクミタテ	Pedal link assy	1
102	M90409041	マルモクネジ 4.5×20	Wood screw D=4.5 L=20	6
103	MH20M0601	ペダルトリツケイタ	Pedal adaptor	1
104	MH20M1780	ホルダ	Holder	2
105	M91690015	ヒラネジダンツキ	Screw 1/4(40)X4	2
106	M98606047	シカクナット	Square Nut	2
107	M98003017	セフティソケット M8X16	Safety socket bolt M8X16	2
108	MH20M0955	レンケツボウクミタテ	Pitman rod assy	1
109	M95011021	ロッカクアナツキホルト M5X25	Socket bolt M5X25	1
110	M91382045	ロッカクナット M5	Nut M5	2
111	MH20M1748	ペダルクミタテ	Pedal assy	1
112	M95001021	ロッカクアナツキホルト M5X16	Socket bolt M5X16	1
113	MH20M0376	クサリセット	Chain set	1

1-2. Manual mechanism

- 1) Remove the top cover.
- 2) Remove the J bolts and K bolts, and remove the clamp bracket.
- 3) Fix the guide pin (201) in the screw hole (401).
- 4) Remove the existing cover (402). Fix the slide bushing (202) by the bolts (203).
- 5) Pass the shaft (204) through the hole (403) in the left side, and put the pushing lever (206) in between two collars (205) in the inside of the arm.
- 6) Fix the bolt (207), the nut (208), and the washer (209) in screw hole (404). Fix the nut (208) so that the protrusive bolt (207) 30mm from arm edge side.
- 7) Attach the spring (210) on the lever (211), and pass the shaft of the lever (211) through the hole (405). Put the pushing lever (206) on the protrusive shaft of the arm inside, and fix the set sides of the pushing lever (206) by the F screw.
- 8) Put the rubber plate (213) in the shaft of pressure plate (212). Pass the pressure plate (212) through the hole (402) from the under side, and the guide pin (201) enter the projection part of pressure plate (212).
- 9) Fix the pushing lever (206) to the pressure plate (212) by the screw (214).
- 10) Confirm whether the lever (211) and the pressure plate (212) move smoothly, and fix the pushing lever (206) in between two collars (205).
- 11) Fix the nut (216) so that the protrusive bolt (215) 8mm from the arm upper side of screw hole (407).
- 12) Hang the spring (217) to the bolt (215). Hang the other side on the G hole.
- 13) Pass the shaft of lever (211) through the lever (218), and fix it.
- 14) Temporarily fix the switch (219) to the hole (408) using the screw (220).
- 15) Fix at the place that the switch does ON of with the lever. (Becomes cause to break when the power to push the switch is strong at this time.)
- 16) Fix the holder (221) to the hole (409) using the screw (222).
- 17) Pass the switch cable (219) through from the below of the arm inside, and lead the cable to the solenoid PCB from the hole of the bed. Fix the cable to the holder (221) that doesn't come in contact with another.
- 18) Insert the switch cable (219) connector to the solenoid PCB.
- 19) Put the hook (113) in the cushion (223).
- 20) Hang the hook (113) on the H hole of lever (211).

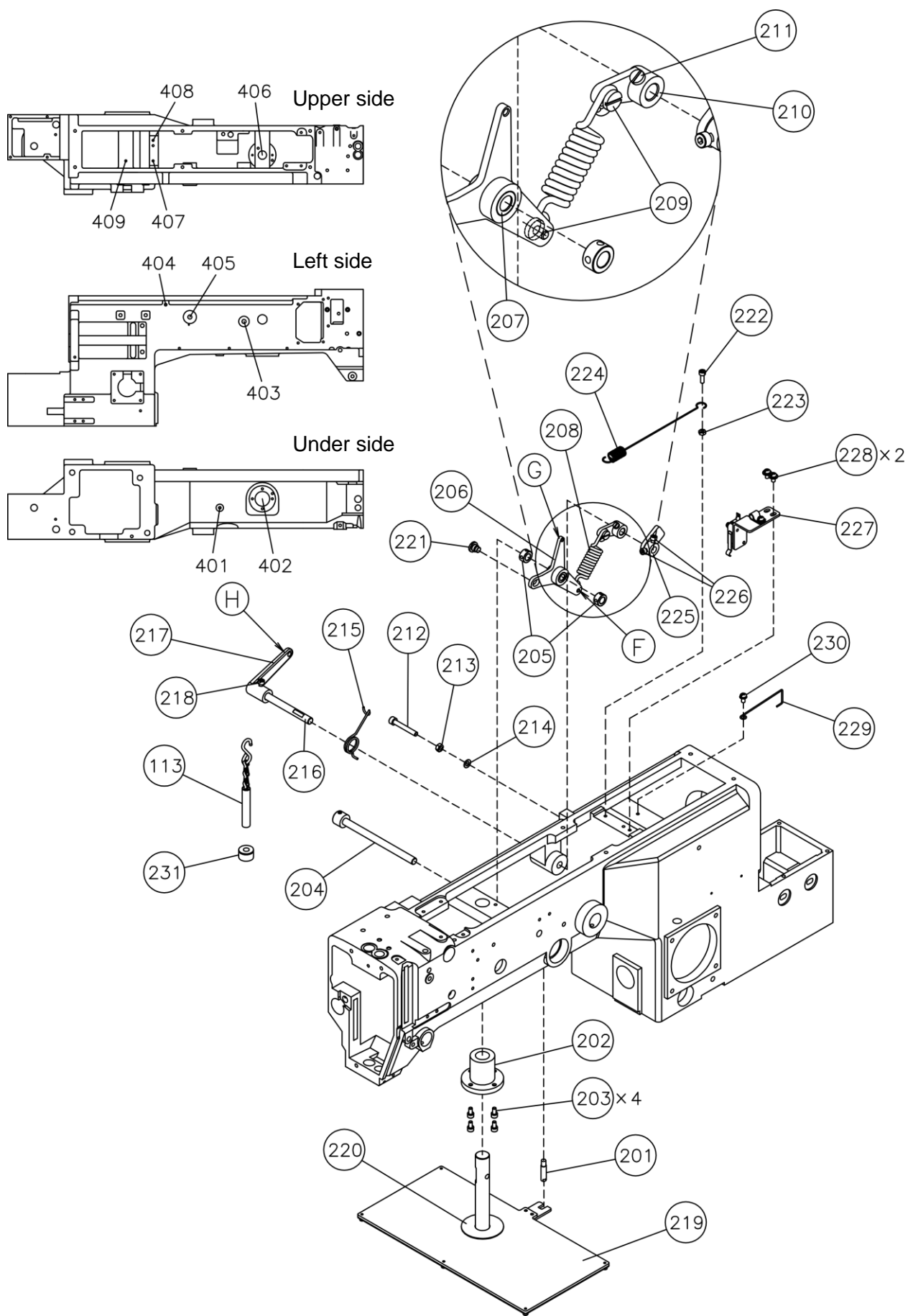


Fig.3 Manual mechanism assembly figure

1-2. Manual mechanism (Parts list)

Fig	部品コード	品名	Description	数量
No.	Parts No.			Amt.
				Req.
201	ME10A0802	マワリドメ	Stopper	1
202	MH20M0750	スライドブッシュ	Slide bushing	1
203	M95018021	ロックアナツキボルト M4X8	Socket bolt M4X8	4
204	MH20M0454	レバーシャフトクミタテ	Lever shaft assy	1
205	MH20M0352	カラークミタテ	Collar assy	2
206	MH20M0950	レバー F	Lever F	1
207	MH20M0456	シェルガタハリジョウコロシクウケ	Bearing	1
208	MH20M0700	バネ	Spring	1
209	M91127015	ヒラネジダツキ	Screw 11/64(40)X5	2
210	MA10A1950	レバー	Lever	1
211	M91109002	ヒラネジ	Screw 11/64(40)X7	1
212	M95008021	ロックアナツキボルト M5X35	Socket bolt M5X35	1
213	M91382045	ロックナット M5	Nut M5	1
214	M90512050	ワザガネ 5	Washer 5	1
215	MA10A0729	ヒネリバネ	Spring	1
216	MH20M1454	レバーシャフト	Lever shaft	1
217	MH10A0950	レバー	Lever	1
218	M95018021	ロックアナツキボルト M4X8	Socket bolt M4X8	1
219	MH20M0257	オサエイタクミタテ	Presser plate assy	1
220	MH20M0416	カンショウイタ	Rubber cushion	1
221	M91690015	ヒラネジダツキ	Screw 1/4(40)X4	1
222	M94003021	ロックアナツキボルト M4X12	Socket bolt M4X12	1
223	M91007045	ロックナット M4	Nut M4	1
224	MH20M1700	バネ	Spring	1
225	MH20M1950	ケンシュツレバー	Detector lever	1
226	M95018021	ロックアナツキボルト M4X8	Socket bolt M4X8	2
227	MH20M0485	スイッチトリツケイタクミタテ	Switch adaptor assy	1
228	M91071004	SW-MW ツキ プラマイナベネジ	Screw M4X8	2
229	MH20M0780	ホルダー	Holder	1
230	M91054004	SW-PW ツキプラマイナベネジ	Screw M3X10	1
231	MH20M0397	クッション	Cushion	1

1-3. Clamp mechanism

The left side is similarly assembled with the explanation of the right side.

- 1) Confirm whether there is the screw hole in the rear of the clamp bracket which removed in step 1-2.2). When there is not the screw hole, please process the screw hole at the position of figure 4.
- 2) The shaft (301) is fixed to the even position of clamp bracket by the two screws (302).
- 3) Pass the washer (304) and the right lever (305) through the shaft (301), and fixes by the collar (306).
- 4) Fix the right lever (305) and the cylinder lever (307) by the screw (308) and the nut (309).
- 5) Fix the post (310) to the cylinder lever (307).
- 6) Pass the top of spring (311) through the post hole (310). Hang the other side on the L bolt.
- 7) Fix the clamp bracket with the reverse procedure of step 1-2. 2).

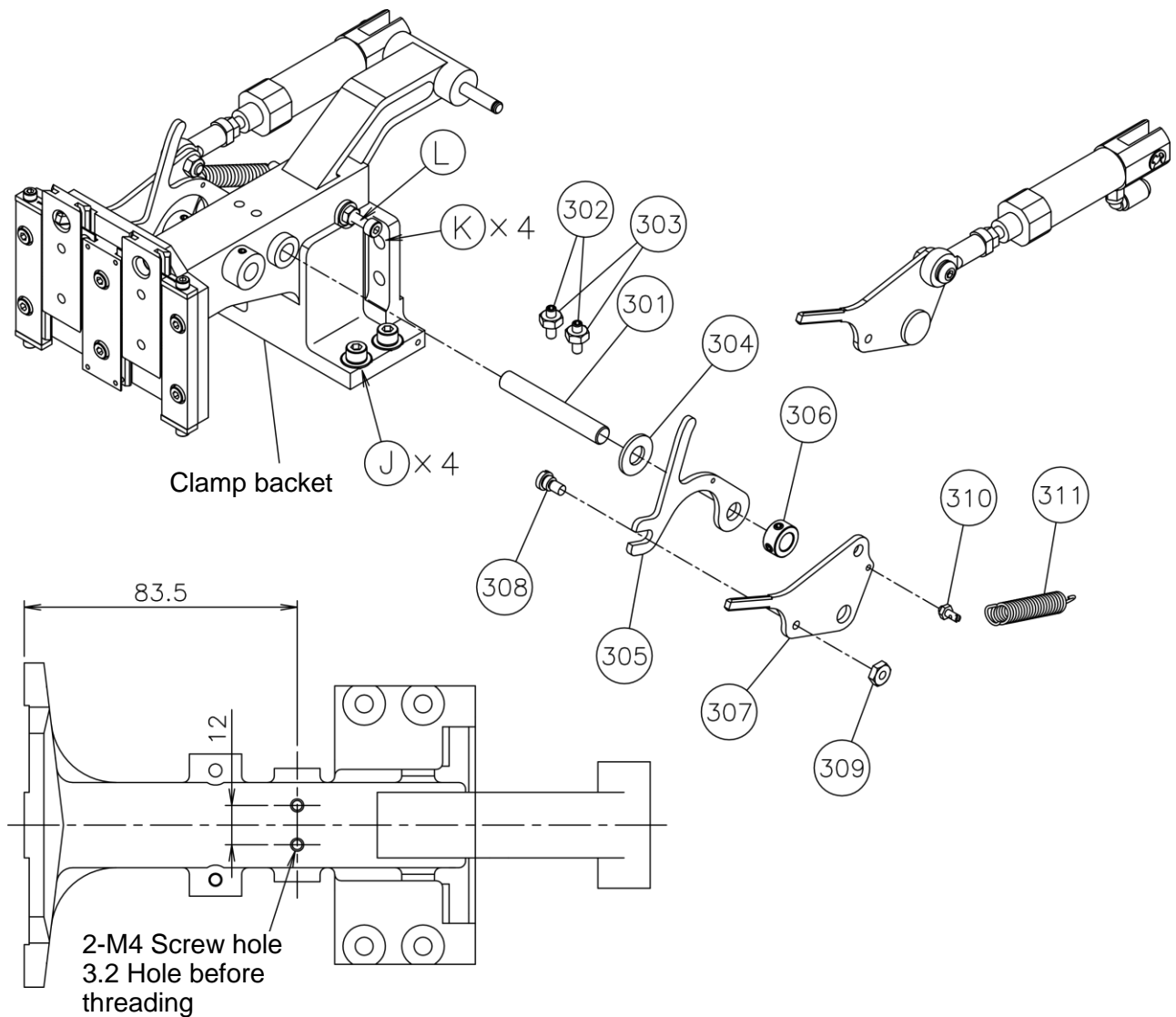


Fig.4 Clamp mechanism assembly figure

1-3. Clamp mechanism (Parts list)

Fig	部品コード	品名	Description	数量
No.	Parts No.			Amt.
				Req.
301	M97019060	ピン	Shaft	1
302	M91062020	ロツカクアナツキトメネジ M4X16	Screw M4X16	2
303	M91007045	ロツカクナツト M4	Nut M4	2
304	M90823050	ミガキサガネ 8	Washer 8	2
305	MH20M0266	オサエレバー	Pushing lever	2
306	MH20M0352	カラークミタテ	Collar assy	2
307	MH20A0266	オサエレバー	Pushing lever	2
308	M91111015	ヒラネジダツツキ	Screw 11/64(40)X6.2	2
309	M91104045	ナツト	Nut 11/64(40)	2
310	MH20M0798	ヒツパ ^o リバ ^o ネヨウホ ^o スト	Hook shaft	2
311	MH20A0572	ツルマキバ ^o ネ	Spring	2

Note: Fig No.307 and No.311 are not included in this package. Please use existing parts which have standard PLK-G2010R.

2. Operation

- (1) The holder plate (213) comes down when the pedal (111) is stepped on, and the clamp frame comes down.
- (2) If the position of sewing thing is decided, the work clamp is turned ON when the pedal (111) is stepped more. Quantity of stepping forward changes by adjusting lever (220).
- (3) Press the [Black] side on the foot switch to comes up the clamp frame.
- (4) Press the [Gray] side on the foot switch to rotate the sewing machine and start stitching.
- (5) When stitching is completed, the sewing machine will automatically return to home, and the clamp frame will comes up.

JUKI CORPORATION

Printed in Japan