

Optional products catalog



Proposal of optional items exclusively for PS-900/910 to further improve productivity and sewing quality



Target Models

PS-900-13090 (Needle bar rotating type)

PS-910-13090 (Machine head rotating type)

PS-910-6055 (Machine head rotating type)

PS-900SB13090CKZ

Productivity improvement

Safety improvement

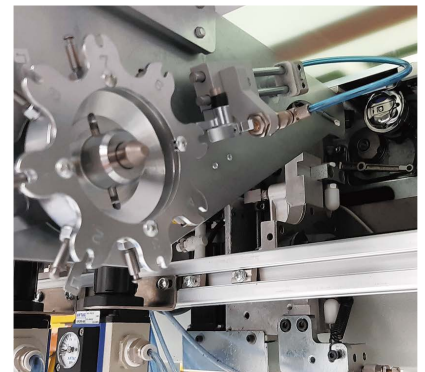
1 BK-10 Bobbin changer device

Part Number: 40270689

BK-10 Bobbin changer device automatically changes pre-set bobbin cases, saving operators the trouble of changing bobbins and increasing the production efficiency. Up to 7 spare bobbins can be set in the cassette.

- One cassette for BK-10 is included. If you need more, arrange the cassette: 40207417.
- The bobbin case is not included. Arrange the standard bobbin case: 40225489.

Watch the video here.



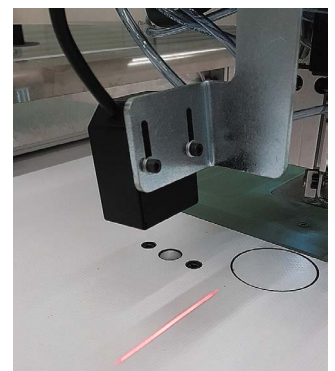
Productivity improvement

Safety improvement

2 Barcode reader

Part Number: 40270709 (PS-900-13090), 40289310 (PS-910-13090/6055)

The barcode reader can read the barcode pasted on the specified position of the template and call the sewing data of the template. Therefore, it is possible to eliminate human error such as erroneous recall of sewing data. Retrofitting is required if the country is not RFID certified.



Make it easier to use!

Optional parts for PS-900/910 Series



Quality improvement

Productivity improvement

3 Needle thread clamp unit

Part Number: 440289313

The needle thread clamp unit prevents the needle thread and bobbin thread from becoming entangled at the start of the next sewing by grasping the tip of the needle thread after thread trimming, resulting in beautiful seams from the beginning.



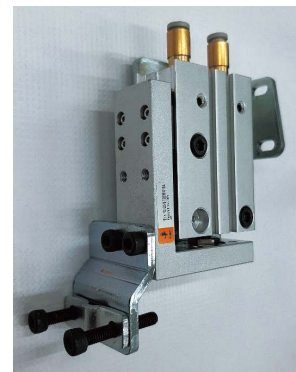
Quality improvement

Productivity improvement

4 Pen stick asm.

Part Number: 440270708 (Except for China), 40270707 (China)

The pen stick asm. is a device that writes the sewing standard on the sewing material with a pen using the XY feeding mechanism. It can also be used for positioning in the next process.



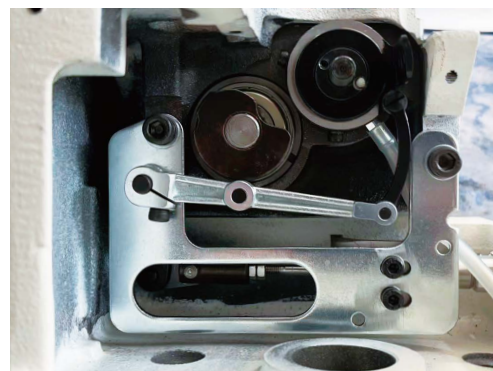
Quality improvement

Productivity improvement

5 Thread trimming drive cylinder unit

Part Number: 440291740

The thread trimming drive cylinder unit can perform stable thread trimming when trimming thick threads while sewing thick materials. This prevents the problem of a thick thread getting caught between the moving knife and the counter knife, which prevents the moving knife from returning.



Quality improvement

6 Thick material kit (For PS-900)

Part Number: 440270717

The thick material kit is a gauge parts set for thick material sewing exclusively for PS-900. The set includes intermediate presser D=2.7, needle hole guide D=3.0, counter knife (thick), and hook (thick). It is required when changing to H Spec.



Quality improvement

7 Needle bar H (For PS-900)

Part Number: 440266167

The needle bar H is used when using a DP×5 needle with PS-900. When sewing thick materials with PS-900, use it together with 6 Thick material kit (For PS-900).



Quality improvement

8 Auxiliary presser unit

Part Number: 440289312

The auxiliary presser unit is effective in suppressing material flapping by pressing the template with the auxiliary presser, and preventing defects such as material misalignment and stitch skipping.

• PS-900-13090 and PS910-13090 are equipped as standard.



Quality improvement

Productivity improvement

9 Plastic bobbin

Part Number: 440244784 (Blue), 40245125 (Red), 40245137 (Yellow)

Plastic bobbins are lighter than aluminum or steel, which reduces thread bending after intermittent stitching and thread trimming. In addition, the needle thread tension at the beginning of sewing is also reduced, making stitching more stable. Furthermore, there is almost no rubbing inside the bobbin case, so it is as durable as aluminum or iron. A total of 3 colors are available, which is useful when managing the yarn count.

• Available only for S Spec.



Quality improvement

Productivity improvement

10 Needle guard hook

Part Number: 440273423

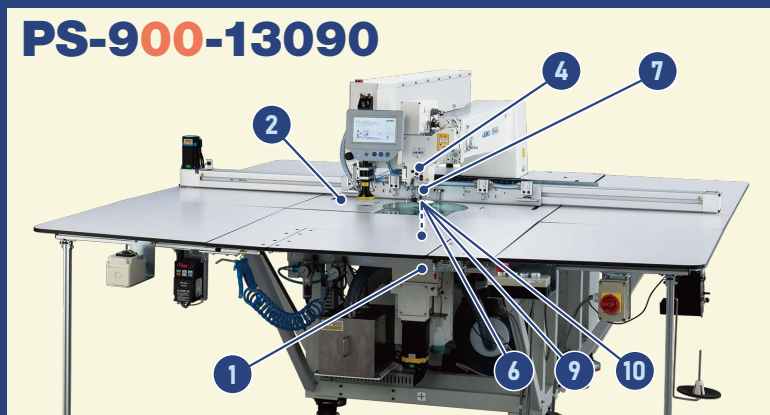
The needle guard hook maintains a constant gap between the needle and the hook blade point at the needle entry, preventing stitch skipping. Furthermore, since it prevents the hook blade point from coming into contact with the needle, it can also be expected to extend the life of the hook blade point.

• Applicable needle size #7 to #10



Option mounting location

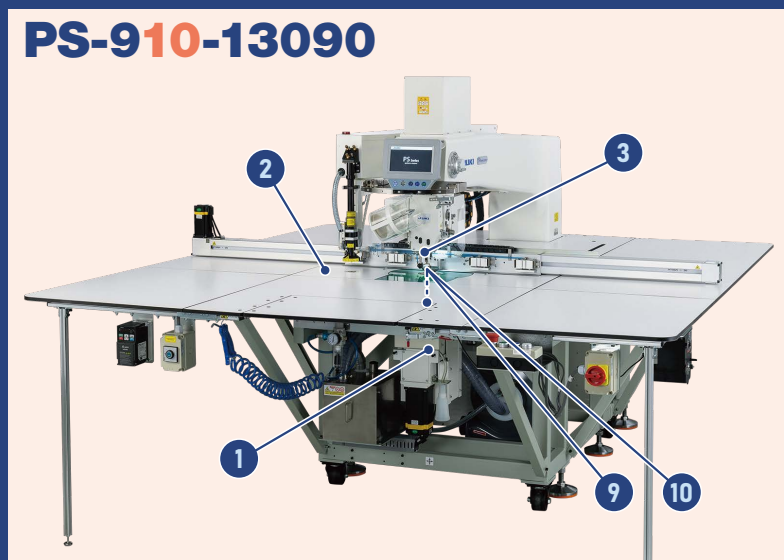
PS-900-13090



PS-900/910 Series

Optional Parts

PS-910-13090



PS-910-6055



Compatibility table

Part Name	Part Number	PS-900-13090		PS-910-13090		PS-910-6055		
		S Spec	Laser	S Spec	Laser	H Spec	A Spec	
1 BK-10 Bobbin changer device	40270689	○	○	○	○	○	○	
2 Barcode reader	For PS-900	40270709	○	○	—	—	—	
	For PS-910	40289310	—	—	○	○	○	Standard
3 Needle thread clamp unit	40289313	—	—	○	○	○	Standard	
4 Pen stick asm.	Except for China	40270708	○	○	—	—	—	
	China	40270707	○	○	—	—	—	
5 Thread trimming drive cylinder unit	40291740	—	—	—	—	○	○	
6 Thick material kit (For PS-900)	40270717	○	○	—	—	—	—	
7 Needle bar H (For PS-900)	40266167	○	○	—	—	—	—	
8 Auxiliary presser unit	40289312	Standard	Standard	Standard	Standard	Standard	○	
9 Plastic bobbin	Blue	40244784	○	○	○	○	—	—
	Red	40245125						
	Yellow	40245137						
10 Needle guard hook	40273423	○	○	○	○	—	—	

JUKI
JUKI CORPORATION
 CUSTOMER BUSINESS COMPANY

2-11-1, TSURUMAKI, TAMA-SHI,
 TOKYO 206-8551, JAPAN
 PHONE: (81) 42-357-2360
 FAX: (81) 42-357-2380
<https://www.juki.co.jp/en>

* Specifications and appearance are subject to change without prior notice for improvement.
 * Read the instruction manual before putting the machine into service to ensure safety.
 * This catalogue prints with environment-friendly soyink on recycle paper.
 * Paper from responsible sources FSC™ C001712