

JTR-DLN9010/WSU

Waistband Shadow Stitch Sewing Unit



| TIMESAVING | | | |
|-------------------------|--------------------------|-----------------------|-------|
| TIME MANUEL METHOD | TIME AUTOMATED METHOD | TIMESAVING PERCENT | |
| 32_{SEC} | 12_{SEC} | 63% | |
| ADDITIONAL BENEFITS | | | |
| HIGH EFFICIENCY | STANDARD QUALITY | CONSISTENCY | SPEED |
| ✓ | ✓ | ✓ | ✓ |

Highlights

- Special design, height adjustable table system
- Automatic thread trimmer and wiper
- Automatic presser foot lifter
- Speed setting feature on electronic panel
- Excellent stitch quality thanks to the needle transport and puller system
- High efficiency, superior performance
- Maximum energy saving
- Vibration free and silent working environment
- Closed circuit automatic micro oiling system
- Micrometric foot pressure setting feature
- Spot free operation possibility
- Presser foot fast/slow drop feature (with parameter)



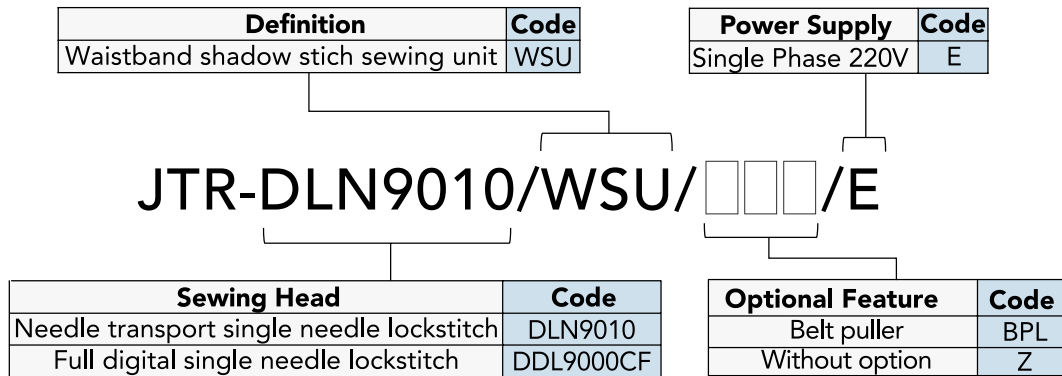
| TECHNICAL SPECIFICATION | |
|---------------------------------------|--------------------------------|
| Machine Head (Standard) | DLN9010A-SH |
| Motor | IPM Motor |
| Max. Sewing Speed | 4.000 rpm |
| Capacity | 2.000 - 2.500 pcs / 9 hours |
| Bobbin Counter / Trim Counter | Available |
| Min. - Max. Stitch Length | 1.5 mm - 4 mm |
| Needle Type | GB / DPX5 #17 |
| Power Requirement / Power Consumption | Single-phase 220V - 240V 50 Hz |
| Compressed Air / Air Consumption | 6 Bar / 2 L/min. |

JTR-DLN9010/WSU

Waistband Shadow Stitch Sewing Unit

WHEN YOU PLACE ORDERS

Please note when placing orders, that the model name should be written as follows.



| SHIPMENT DETAILS | |
|---|------------------|
| Machine net weight | 110 kg |
| Machine gross weight (Including palette and package) | 150 kg |
| Machine net dimensions: | |
| Width | 60 cm |
| Length | 110 cm |
| Height | 125 cm |
| Package dimensions: | |
| Width | 75 cm |
| Length | 125 cm |
| Height | 145 cm |
| HS code | 8452.29.00.00.19 |



JUKI
JUKI CORPORATION
 SEWING MACHINERY & SYSTEMS BUSINESS UNIT

2-11-1, TSURUMAKI, TAMA-SHI,
 TOKYO 206-8551, JAPAN
 PHONE: (81) 42-357-2370
 FAX: (81) 42-357-2274
<https://www.juki.co.jp/en>

* Specifications and appearance are subject to change without prior notice for improvement.
 * Read the instruction manual before putting the machine into service to ensure safety.
 * This catalogue prints with environment-friendly soyink on recycle paper.
 * Paper from responsible sources FSC™ C001712