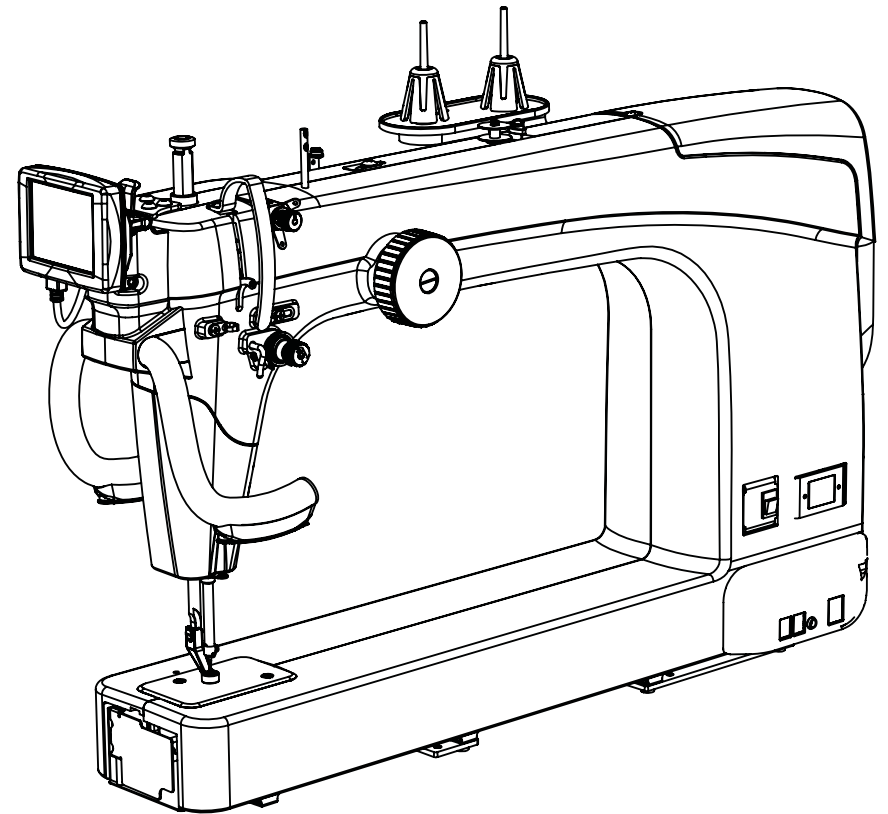
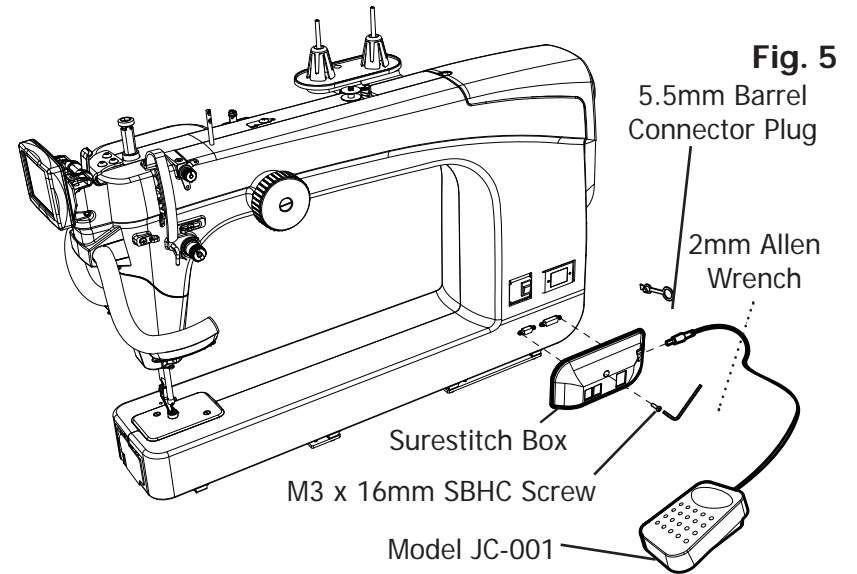


# Juki Sit Down LCD, Lighting, and Surestitch Installation





**6** Install the LCD and Lighting Mount using the 4mm Allen Wrench and (3) M6 x 12mm SBHC Screws. Be sure not to pinch the LCD Data Cable and that it falls in the groove on the LCD Mount Bracket Casing.

**7** Remove the (2) screws holding the Plastic Machine Casing to the side of the machine using a phillips head screw driver.

**8** Plug in the Data Cable into the left side of the machine and secure it in place using the 2.5mm Allen Wrench and M4 x 16mm SBHC Screw. Secure the Cord to the machine using the Zip Tie and Zip Tie Mount as shown in Fig. 4.

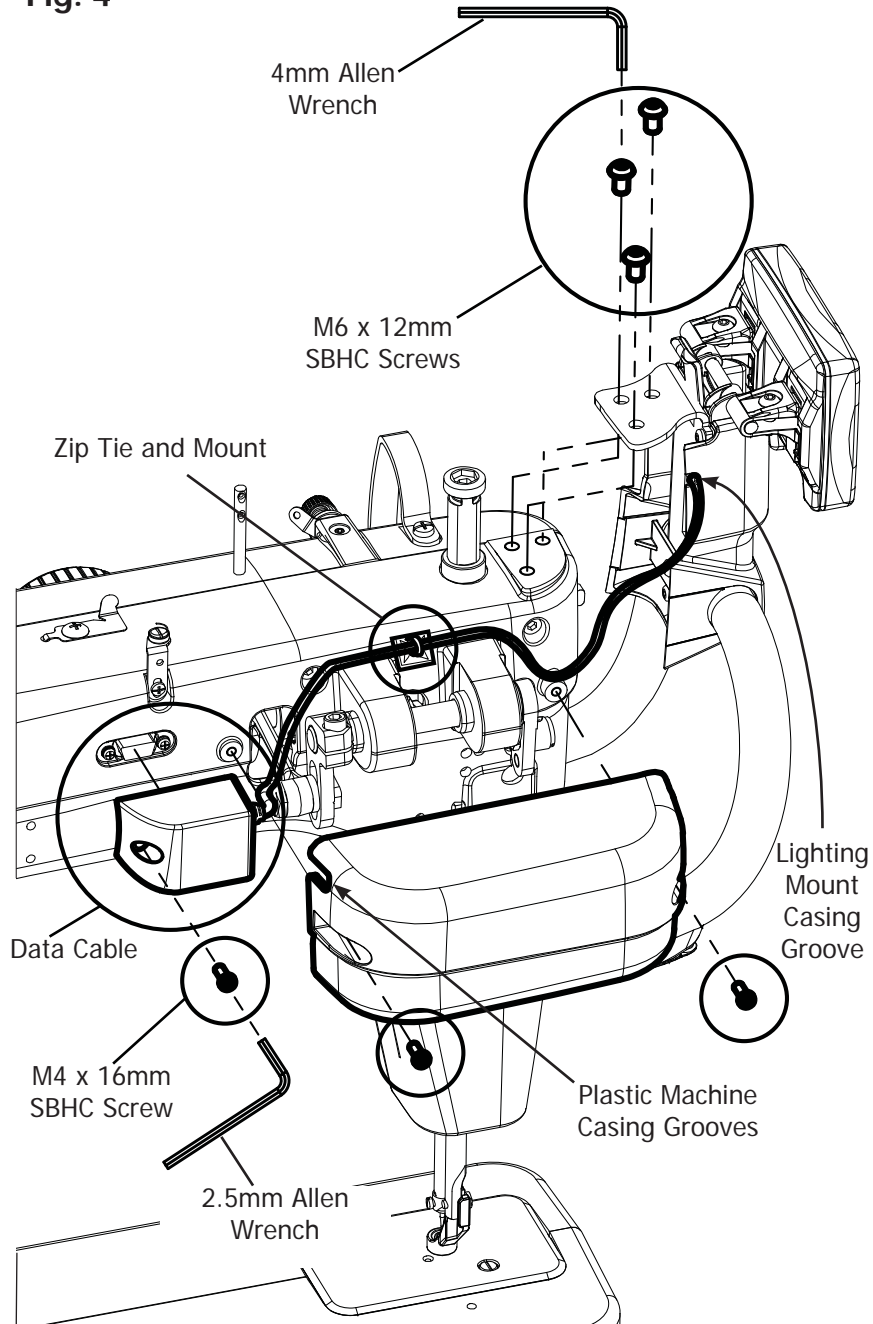
**9** Reinstall the Plastic Machine Casing to the side of the machine. Be sure to cover the Data Cable without pinching it by placing it in the grooves on the Plastic Machine Casing.

**10** Plug in the Surestitch Box to the back right corner of the machine. Remove the 5.5mm Barrel Connector Plug and plug in the foot pedal into the back connector of the Surestitch Box. Secure the Surestitch Box in place using the 2mm Allen Wrench and the M3 x 16mm SBHC Screw.

continued from page 7...

## Front LCD Orientation Instructions

Fig. 4

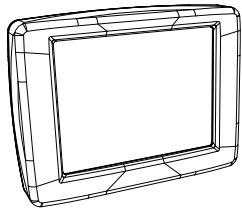


## Table of Contents

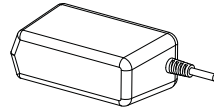
4	Parts List
6	Side LCD Orientation Instructions
6	Front LCD Orientation Instructions
8	Side LCD Orientation Instructions
10	Front LCD Orientation Instructions

# Parts List

Fig. 3



LCD Screen



Power Supply



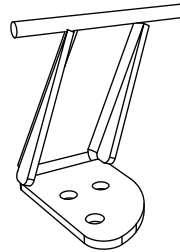
4mm Allen Wrench



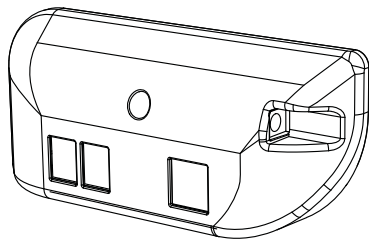
2.5mm Allen Wrench



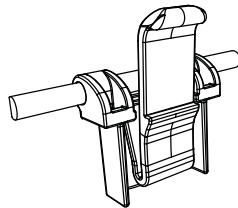
2mm Allen Wrench



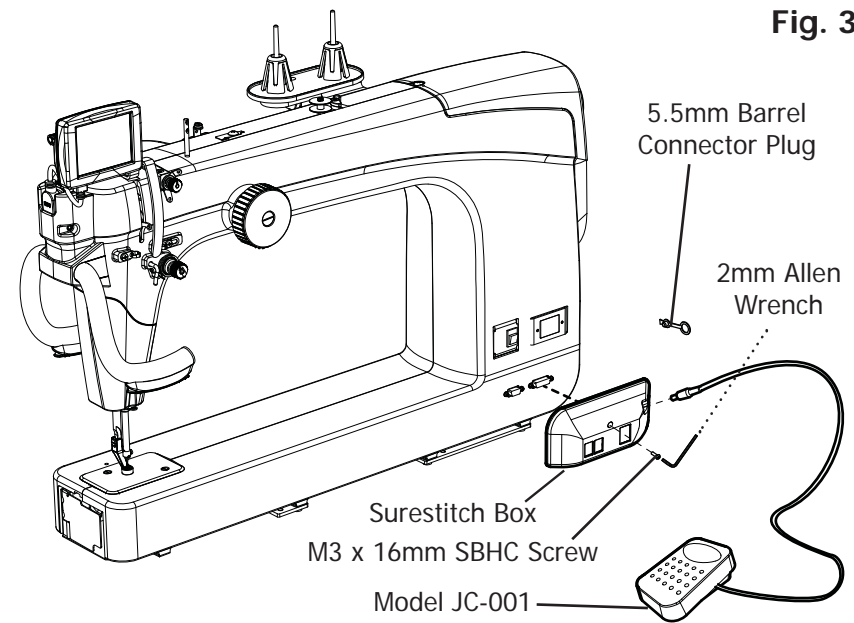
Side LCD Mount Bracket



Sure Stitch Box



LCD Mount



**5** Remove the (2) screws holding the Plastic Machine Casing to the side of the machine using a Phillips head screw driver.

**6** Plug in the Data Cable into the left side of the machine and secure it in place using the 2.5mm Allen Wrench and M4 x 16mm SBHC Screw. Secure the cord to the machine using the Zip Tie and Zip Tie Mount as shown in Fig. 2.

**7** Reinstall the Plastic Machine Casing to the side of the machine. Be sure to cover the Data Cable without pinching it by placing it in the grooves on the Plastic Machine Casing.

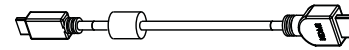
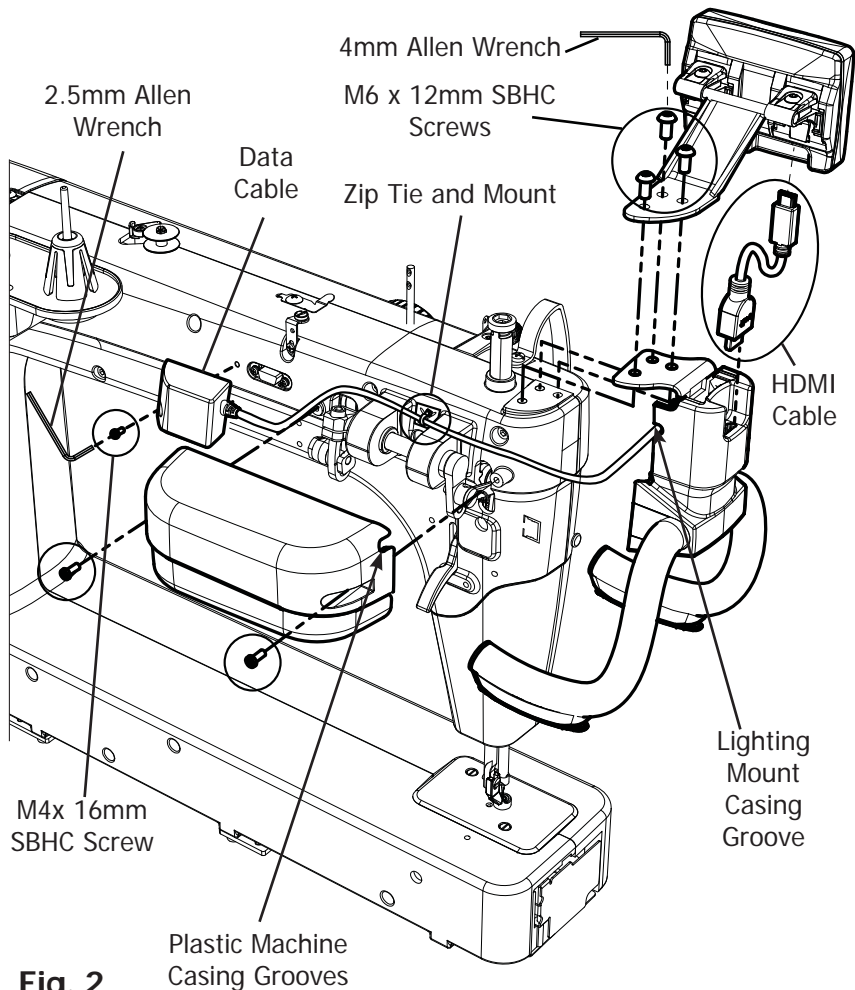
**8** Plug in the Surestitch Box to the back right corner of the machine as shown in Fig. 3. Remove the 5.5mm Barrel Connector Plug and plug in the foot pedal into the back connector of the Surestitch Box. Secure the Surestitch Box in place using the 2mm Allen Wrench and the M3 x 16mm SBHC Screw.

continued from page 7...

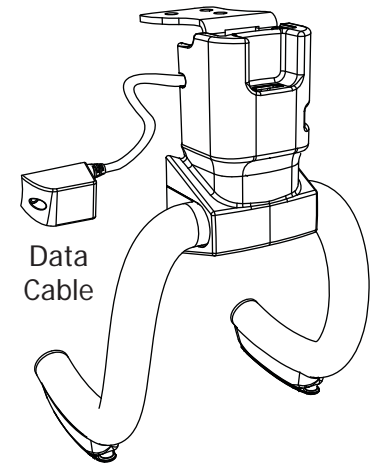
## Side LCD Orientation Instructions

**3** Install the LCD Mount Bracket and Lighting Mount using the (3) M6 x 12mm SBHC screws and 4mm Allen Wrench. Be sure not to pinch the LCD Cable and that it falls in the groove on the LCD Mount Bracket Casing.

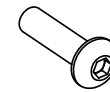
**4** Plug the HDMI Cable into the bottom of the LCD Screen and into the Lighting Mount as shown in Fig. 2.



HDMI Cable



Data Cable  
Lighting Mount



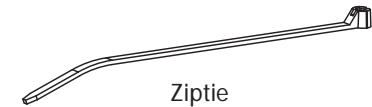
M4 x 16mm SBHC Screw (1)



M3 x 16mm SBHC Screw (1)



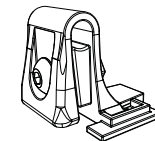
M6 x 12mm SBHC screws (3)



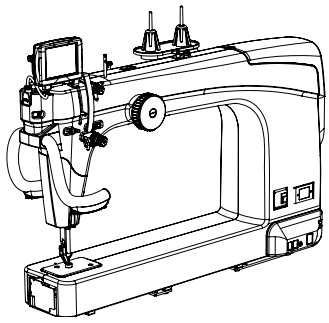
Zip Tie



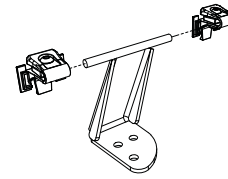
Ziptie Mount



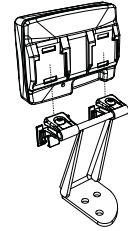
LCD Clips (2)



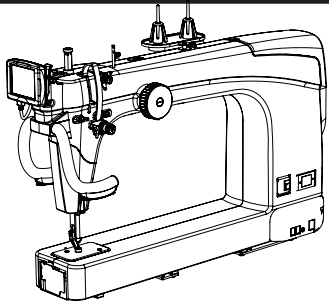
## Side LCD Orientation Instructions



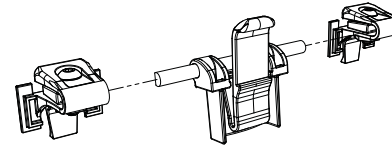
**1** Push LCD Clips onto rod ends of Side LCD Mount Bracket.



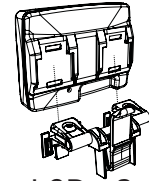
**2** Push LCD Screen onto LCD Clips. Continue to page 3...



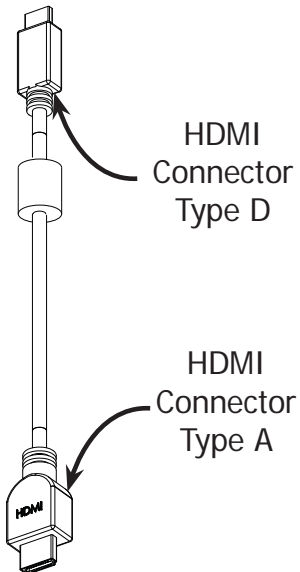
## Front LCD Orientation Instructions



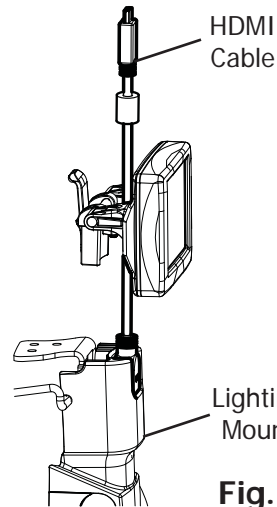
**1** Push LCD Clips onto LCD Mount.



**2** Push LCD Screen onto LCD Clips.

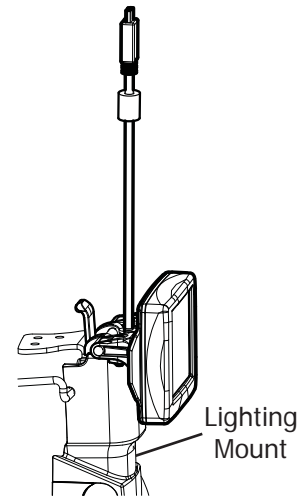


**Fig. 1**

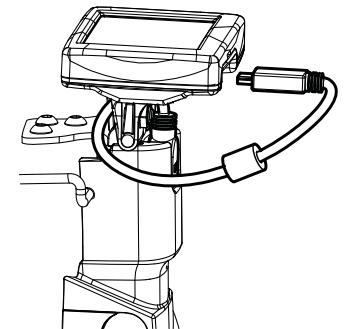


**Fig. 1.2**

**3** Take the HDMI cable end (HDMI connector Type A see Fig. 1) and plug it into the Lighting Mount as Shown in Fig. 1.2. Pass the cable behind the LCD from the bottom.



**4** Clip the LCD into the Lighting Mount



**5** Tilt the LCD Screen back and plug the other HDMI cable end (HDMI connector Type D, see Fig. 1) into the LCD. Continue to page 4...