

TL-98P/98Q**Parts list****Teilekatalog****Catalogue de pièces détachées** A9900-Q98-Z00

CONTENTS

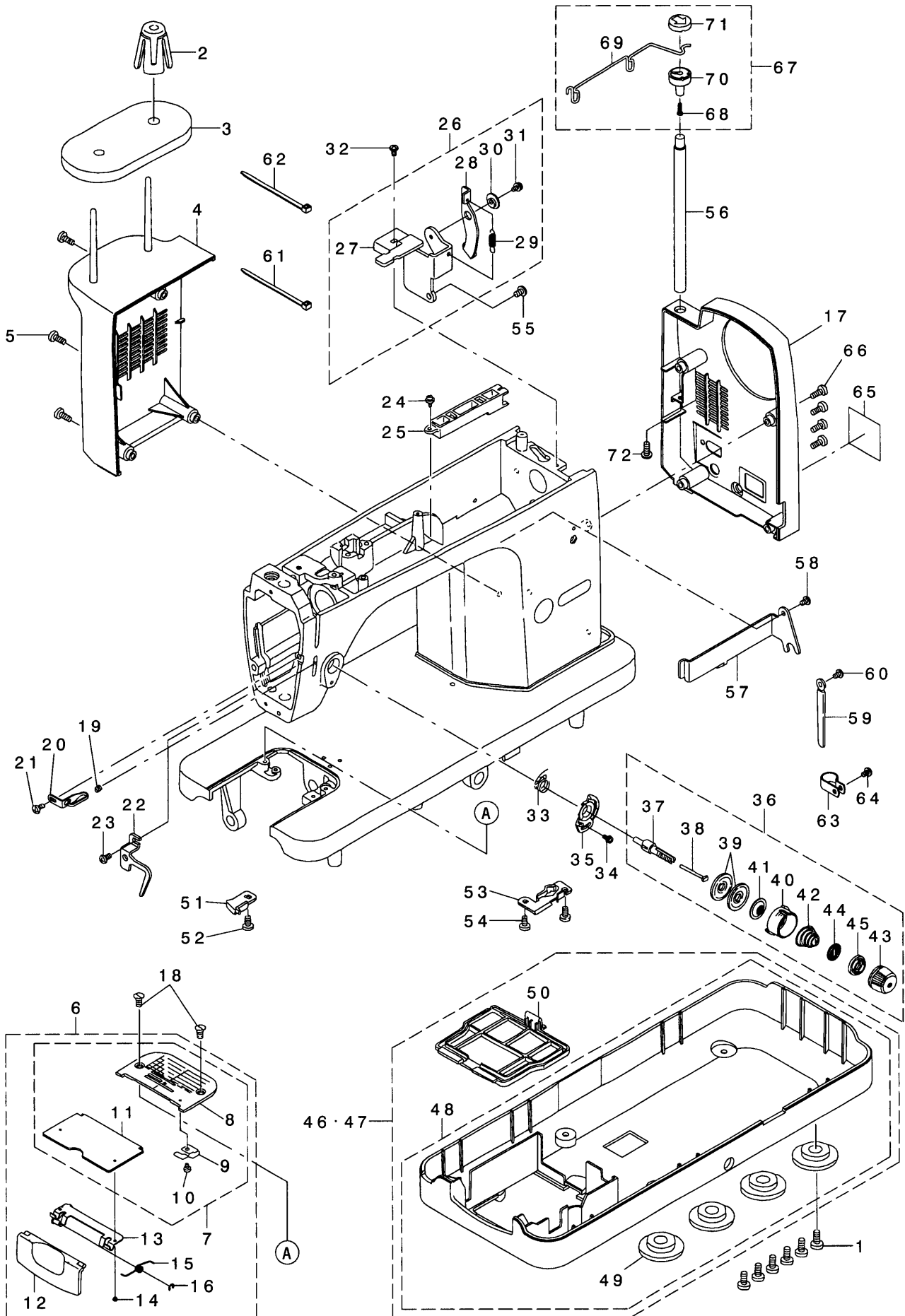
1. HEAD AND OUTER COMPONENTS	1
2. ARM COVER, FACE PLATE AND LAMP COMPONENTS	3
3. MAIN SHAFT, THREAD TAKE-UP AND IDLER COMPONENTS	5
4. NEEDLE BAR, HOOK DRIVING SHAFT AND THREADER COMPONENTS	7
5. FEED MECHANISM COMPONENTS	9
6. DROP FEED KNOB COMPONENTS	11
7. PRESSER, KNEE LIFTER, WIRE HOLDER AND THREAD RELEASE COMPONENTS	13
8. MOTOR AND MAIN CIRCUIT BOARD COMPONENTS	15
9. MOVING KNIFE, LOOPER AND THREAD TRIMMER SOLENOID COMPONENTS	17
10. ACCESSORIES AND PACKING COMPONENTS	19
11. SEPARATELY-SOLD COMPONENTS	21

(Remarks)

The part which has an asterisk (*) before its part number is not separately available as a spare part so that the accuracy in assembling and smoothness in component investigation are assured.

Consequently, please place your order using the part number of assembly containing the part.

1. HEAD AND OUTER COMPONENTS

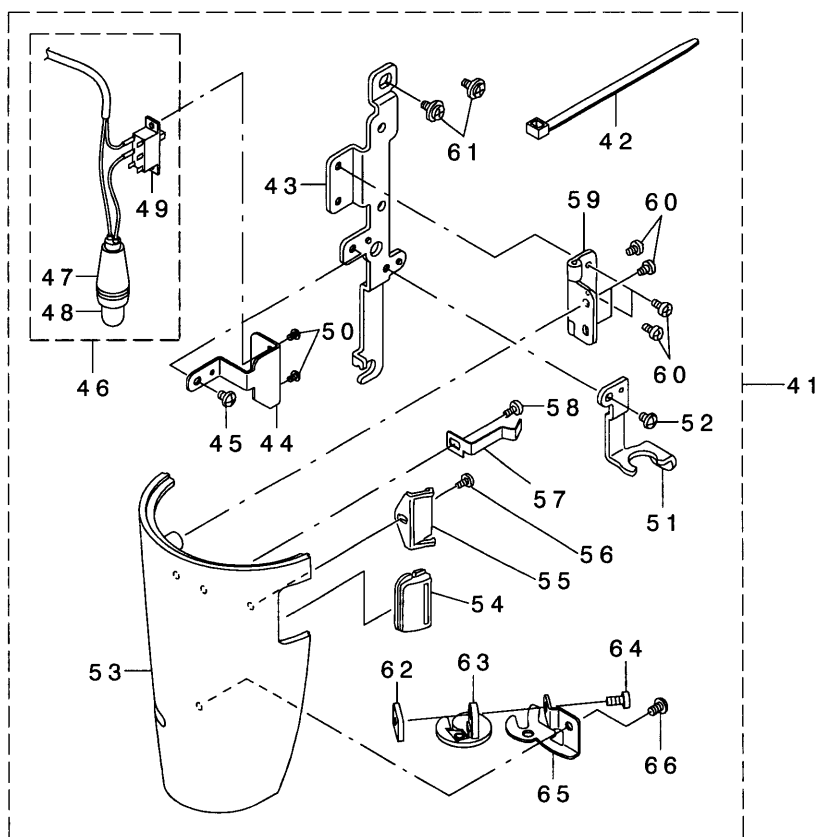
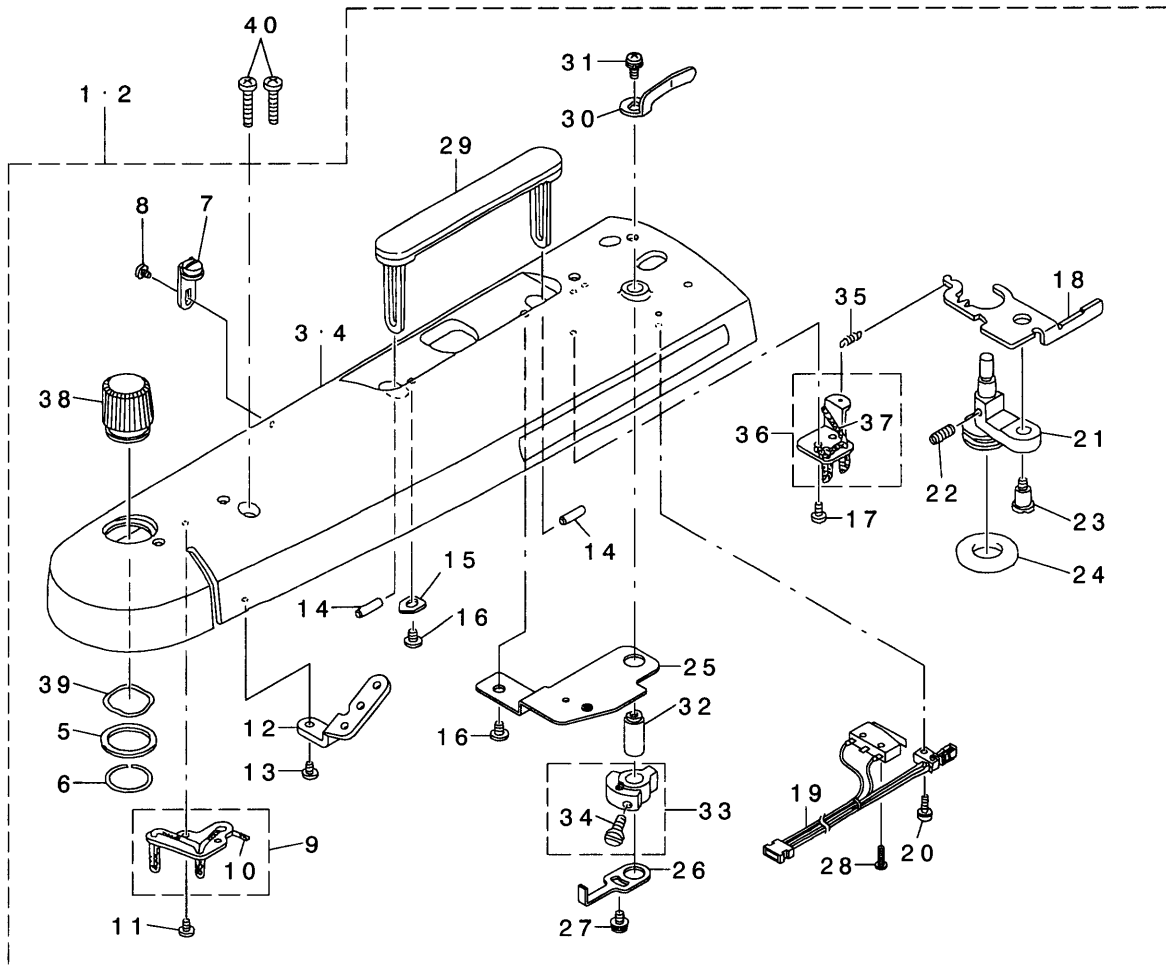


NO.	NOTE	PART NO.	DESCRIPTION	Qty
1		SM-5051255-SN	SCREW	6
2		A1120-202-000	BOBBIN WINDER DEFLECTION STOPPER	1
3		A1121-090-000	BOBBIN WINDER SHEET	1
4		A7105-D25-000	MOTOR COVER	1
5		SM-5041255-SN	SCREW	3
6		A1109-E98-ZC0	NEEDLE PLATE WHOLE MAS. ASM.	1
7		A1109-E98-ZB0	NEEDLE PLATE MAS. ASM.	(1)
8		A1109-E98-Z00	NEEDLE PLATE	(1)
9		A1112-090-000	SPRING	(1)
10		SM-4020201-SN	SCREW	(1)
11		A1110-D98-0A0	BOBBIN CASE COVER ASM.	(1)
12		A1112-D98-000	SIDE COVER	(1)
13		A1113-E98-ZA0	STOPPER PLATE ASM.	(1)
14		SM-4020201-SN	SCREW	(2)
15		A1118-E98-Z00	SPRING	(1)
16		RE-0300000-K0	E-RING	(1)
17		A7103-D25-000	BELT COVER	1
18		SM-1040800-SL	SCREW	2
19		SM-8040602-TP	SCREW	1
20		A3114-D25-000	THREAD GUIDE	1
21		SM-5030655-SN	SCREW	1
22		A3135-096-000	THREAD TENSION THREAD GUIDE	1
23		SM-4040855-SP	SCREW	1
24		SL-5030831-SF	SCREW	1
25		A5001-090-000	CORD GUIDE	1
26		A5000-096-0A0	CORD GUIDE PLATE ASM.	1
27		A5000-096-000	CORD GUIDE PLATE	(1)
28		A5002-096-000	CLUTCH PLATE	(1)
29		A3206-030-000	SPRING	(1)
30		A2435-033-000	LINK COLLAR	(1)
31		SL-5030635-SN	SCREW	(1)
32		SM-5030655-SN	SCREW	1
33		A3128-098-000	THREAD TAKE-UP SPRING	1
34		SL-5030801-SN	SCREW	1
35		A3111-D98-000	ADJUSTING PLATE	1
36		A3122-D25-0A0A	THREAD TENSIONER ASM.	1
37		A3112-090-00A	THREAD TENSION POST	(1)
38		A3127-090-000A	TENSION RELEASE PIN	(1)
39		B3126-012-000	THREAD TENSION DISK	(2)
40		A3132-D98-000	DISK PRESSER	(1)
41		A3133-D98-000	DISK PRESSER PLATE	(1)
42		B3129-012-A00	THREAD TENSION SPRING A	(1)
43		A3124-D25-000	KNOB	(1)
44		B3120-125-000	ROTATION STOPPER	(1)
45		A3124-096-A00	KNOB RATCHET	(1)
46	#01	A1160-Q98-XB0	BED COVER MAS. ASM.	1
47	#02	A1160-Q98-ZB0	BED COVER MAS. ASM.	1
48		A1160-E98-ZA0	BED COVER ASM.	(1)
49		A1160-090-00A	RUBBER SEAT	(4)
50		A1161-090-000	BED COVER LID	(1)
51		A8521-090-000	AUXILIARY TABLE SUPPORTING PLATE A	1
52		SM-5040855-SN	SCREW	1
53		A8522-090-000	AUXILIARY TABLE SUPPORTING PLATE B	1
54		SM-5040855-SN	SCREW	2
55		SM-5040655-SN	SCREW (LOWER)	1
56		A1120-334-000	THREAD GUIDE POST	1
57		A4502-E98-Z00	CORD GUIDE PLATE	1
58		SM-5040601-SE	SCREW	1
59	#02	A3811-550-000	CORD HOLDER	1
60	#02	SM-5040601-SE	SCREW	1
61		A4078-550-00B	CLIP BAND	1
62		A4078-550-00B	CLIP BAND	1
63	#01	HX-0015000-0F	CABLE CLIP	1
64	#01	SM-5040655-SN	SCREW	1
65		A7103-E98-Z0A	WARNING LABEL FOR POWER SUPPLY CORD	1
66		SM-5041055-SN	SCREW	4
67		A1116-D25-0A0	THREAD GUIDE ASM.	1
68	*	ST-4861051-SN	SCREW	(1)
69	*	A1116-D25-000	THREAD GUIDE	(1)
70	*	A1121-313-000	THREAD GUIDE BASE	(1)
71	*	A1120-313-000	THREAD GUIDE TOP	(1)
72		SM-5051255-SN	SCREW	1

#01... FOR CE
#02... FOR UL

PLEASE REFER TO REMARKS FOR PARTS MARKED WITH (*)

2. ARM COVER, FACE PLATE AND LAMP COMPONENTS

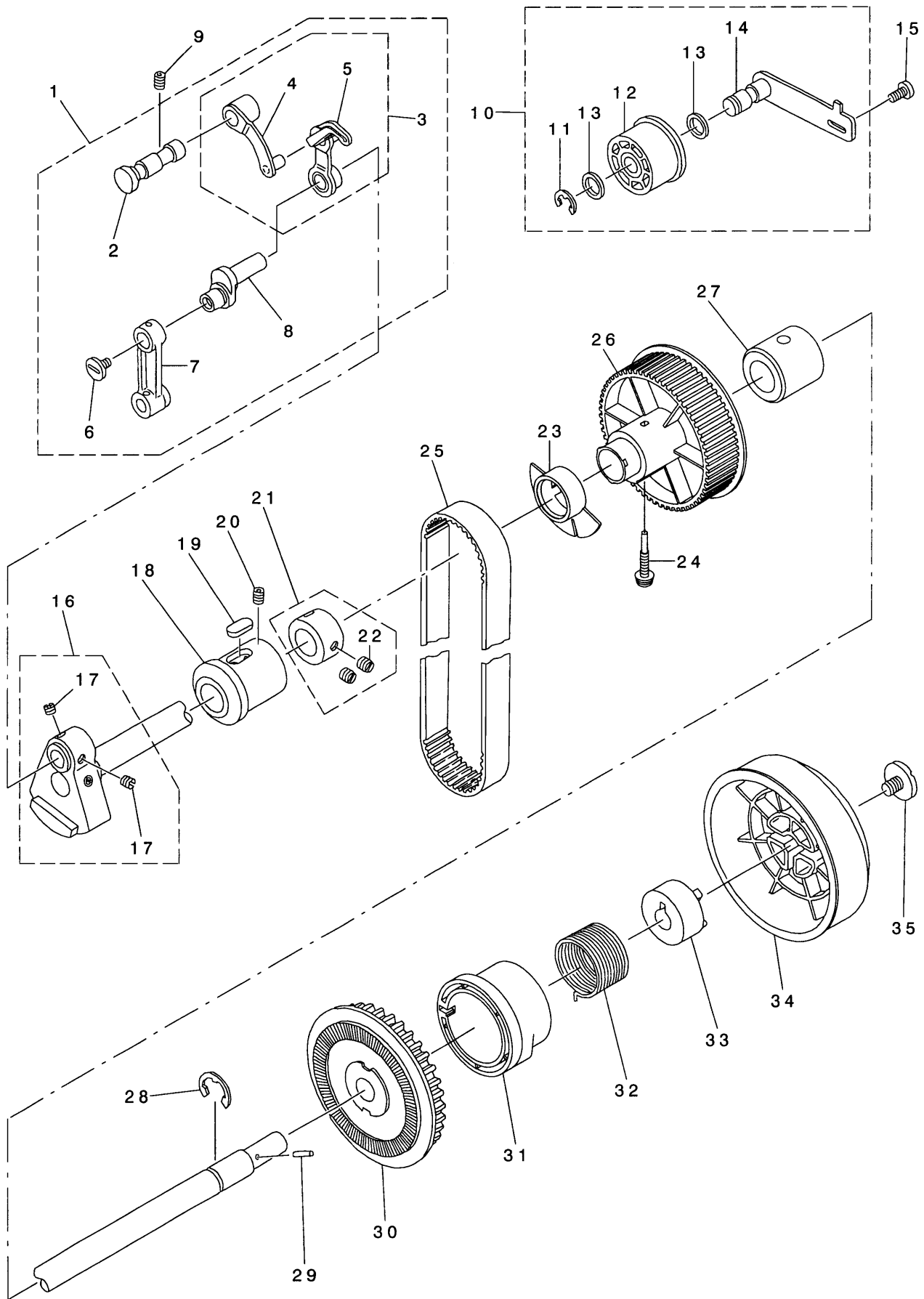


NO.	NOTE	PART NO.	DESCRIPTION	Qty
1	#01	A 1135-98P-XB0	ARM COVER MAS. ASM.	1
2	#02	A 1135-Q98-ZB0	ARM COVER MAS. ASM.	1
3	#01	A 1135-98P-XA0	ARM COVER ASM.	(1)
4	#02	A 1135-D25-0A0	ARM COVER ASM.	(1)
5		A1502-090-00B	WASHER	(1)
6		A1502-090-00A	STOP RING	(1)
7		A3231-957-0A0	THREAD GUIDE BASE ASM.	(1)
8		SM-5030655-SN	SCREW	(1)
9		A1136-090-0AA	STOPPER PLATE A ASM.	(1)
10	*	A1138-090-00A	OIL WICK A	(1)
11		SM-5030655-SN	SCREW	(1)
12		A1128-096-000	THREAD GUIDE NO. 1	(1)
13		SM-5030655-SN	SCREW	(1)
14		A1137-090-000	HANDLE GUIDE SHAFT	(2)
15		A1138-500-000A	WASHER	(1)
16		SM-5040655-SN	SCREW	(2)
17		SM-5030655-SN	SCREW	(1)
18		A3221-096-000	ADJUSTING PLATE	(1)
19		A3226-096-0A0	BOBBIN WINDER SWITCH ASM.	(1)
20		SL-5031031-SE	SCREW	(1)
21		A3204-090-0A0	BOBBIN WINDER ASM.	(1)
22		A3208-958-000	SPRING	(1)
23		A3205-090-000	SCREW	(1)
24		A3216-001-00A	RUBBER RING	(1)
25		A3235-096-000	BOBBIN WINDER SWITCH INSTALLING PLATE	(1)
26		A3236-096-000	CONTACT PLATE	(1)
27		SL-5030635-SN	SCREW	(1)
28		SM-4830801-SN	SCREW	(1)
29		A1134-090-0A0	HANDLE ASM.	(1)
30		A3217-072-000	BOBBIN HOLDER	(1)
31		SL-5030801-SN	SCREW	(1)
32		A3218-096-000	BOBBIN HOLDER SHAFT	(1)
33		A3219-096-0A0	BOBBIN WINDER CONTROLLER ASM.	(1)
34		SM-4041055-SF	SCREW	(1)
35		A3222-090-000	SPRING	(1)
36		A1136-090-0AB	OIL WICK HOLDER PLATE B ASM.	(1)
37	*	A1138-090-00B	OIL WICK B	(1)
38		A1502-090-000	KNOB	(1)
39		A1502-090-00C	WASHER	(1)
40		SM-5042005-SN	SCREW	2
41		A3805-Q98-ZA0	FACE PLATE ASM.	1
42		A4078-550-00B	LAMP CLIP BAND	(2)
43		A3805-096-000	FACE PLATE	(1)
44		A3802-096-000	LAMP SWITCH INSTALLING PLATE	(1)
45		SM-5030455-SF	SCREW	(1)
46		A3801-D25-0A0	LAMP SOCKET ASM.	(1)
47		A3801-D25-000	LAMP SOCKET	(1)
48		A3803-096-000	LAMP BULB	(1)
49		HA-0034600-0A	SLIDE SWITCH	(1)
50		SM-4020301-SC	SCREW	(2)
51		A3804-D25-000	LAMP INSTALLING BASE	(1)
52		SM-5030455-SF	SCREW	(1)
53		A3115-D25-000	FACE COVER	(1)
54		A3116-Q98-Z00	PRESSURE INDICATING PLATE	(1)
55		A3117-090-000	HOLDING PLATE	(1)
56		SM-5030655-SN	SCREW	(1)
57		A3119-096-000	SPRING	(1)
58		SM-5030655-SN	SCREW	(1)
59		A3118-090-0A0	FACE COVER LATCH ASM.	(1)
60		SM-5030655-SN	SCREW	(4)
61		SL-5040631-SE	SCREW	(2)
62		A3151-535-000	NUT	(1)
63		A3120-D25-0A0	THREAD TRIMMER KNIFE ASM.	(1)
64		SM-5030655-SN	SCREW	(1)
65		A3123-D25-000	KNIFE INSTALLING BASE	(1)
66		SM-5030501-SC	SCREW	(1)

#01... FOR CE
#02... FOR UL

PLEASE REFER TO REMARKS FOR PARTS MARKED WITH (*)

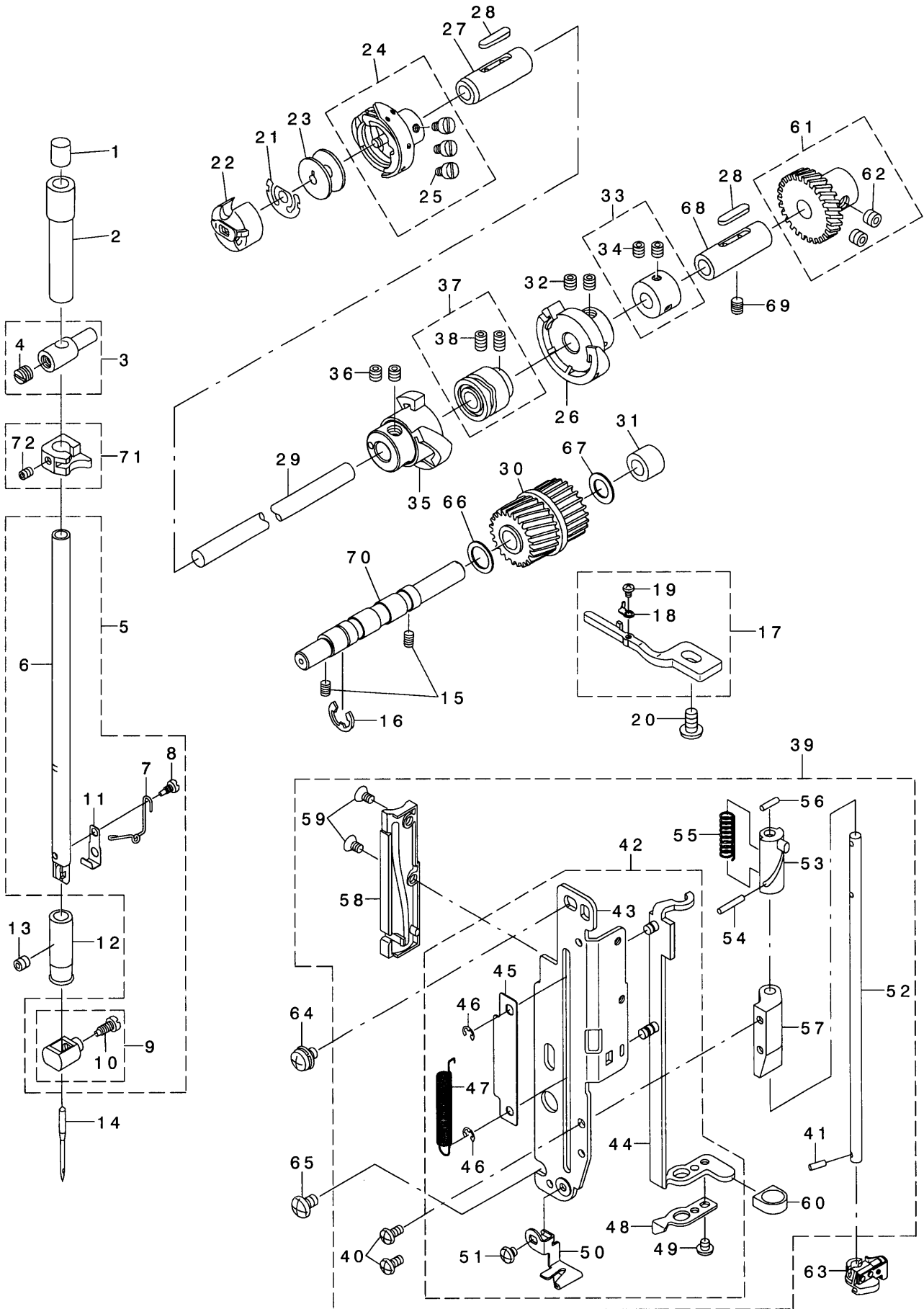
3. MAIN SHAFT, THREAD TAKE-UP AND IDLER COMPONENTS



NO.	NOTE	PART NO.	DESCRIPTION	Qty
1		A1901-090-0C0	THREAD TAKE-UP MAS. ASM.	1
2		A1902-090-000	THREAD TAKE-UP SUPPORTING SHAFT	(1)
3		A1901-090-0B0	THREAD TAKE-UP ASM.	(1)
4	*	A1904-090-0A0	THREAD TAKE-UP SUPPORT ASM.	(1)
5	*	A1901-090-0A0	THREAD TAKE-UP BODY ASM.	(1)
6		A1219-907-000	LEFT SCREW	(1)
7		A1408-090-000	NEEDLE BAR CRANK ROD	(1)
8		A1209-072-000	NEEDLE BAR CRANK	(1)
9		SM-8050602-TP	SCREW	1
10		A7201-090-0B0	IDLER MAS. ASM.	1
11	*	RE-0600000-K0	E-RING	(1)
12	*	A7203-090-0A0	IDLER ASM.	(1)
13	*	A7204-090-000A	WASHER	(2)
14	*	A7201-090-0A0	IDLER INSTALLING PLATE ASM.	(1)
15		SM-5040855-SN	SCREW	1
16		A1201-D98-0A0	MAIN SHAFT ASM.	1
17		SM-8060502-TP	SCREW	(2)
18		A1202-090-000	MAIN SHAFT FRONT BUSHING	1
19		A1203-007-000	FELT	1
20		SM-8050602-TP	SCREW	1
21		A1205-090-0A0	MAIN SHAFT THRUST COLLAR ASM.	1
22		SM-8060502-TP	SCREW	(2)
23		A1210-D25-000	MAIN SHAFT DETECTOR SHIELD	1
24		A1226-D98-000	SCREW	1
25		A7110-090-000	MAIN SHAFT TIMING-BELT	1
26		A1227-D98-000	MAIN SHAFT PULLEY	1
27		A1204-090-000	MAIN SHAFT REAR BUSHING	1
28		RE-1000000-K0	E-RING	1
29		A1225-090-000	STOPPER PIN	1
30		A1232-090-000A	MOTOR PULLEY	1
31		A1244-096-000	CLUTCH SPRING SUPPORT	1
32		A1248-096-000	CLUTCH SPRING	1
33		A1229-090-000	HAND WHEEL BUSHING	1
34		A1228-090-000A	HAND WHEEL	1
35		A1230-500-000A	SCREW	1

PLEASE REFER TO REMARKS FOR PARTS MARKED WITH (*)

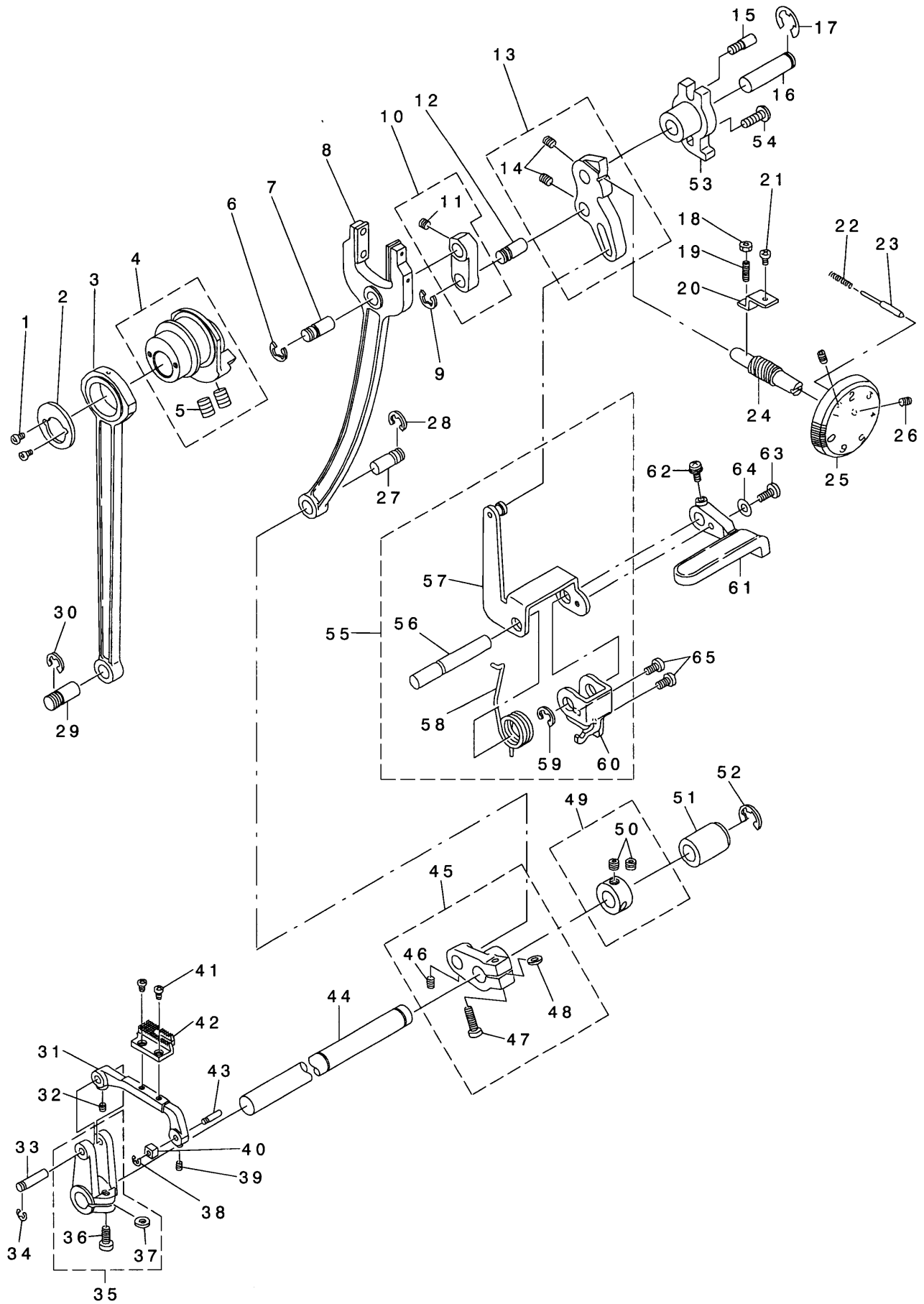
4. NEEDLE BAR, HOOK DRIVING SHAFT AND THREADER COMPONENTS



NO.	NOTE	PART NO.	DESCRIPTION	Qty
1		A1404-072-000	FELT	1
2		A1402-090-000	NEEDLE BAR UPPER BUSHING	1
3		A1411-090-0A0	NEEDLE BAR CONNECTION ASM.	1
4		SM-8060510-SP	SCREW	(1)
5		A1401-096-0B0A	NEEDLE BAR ASM.	1
6		A1401-096-000A	NEEDLE BAR	(1)
7		A1416-096-00AA	NEEDLE BAR THREAD BRACKET	(1)
8		A1420-001-000	SCREW	(1)
9		A1416-096-0A0	NEEDLE CLAMP ASM.	(1)
10	*	A1417-096-000	SCREW	(1)
11		A1402-096-000A	NEEDLE MIS-INSERT PREVENTING PLATE	(1)
12		A1403-090-000	NEEDLE BAR LOWER-BUSHING	1
13		SM-8040402-TP	SCREW	1
14		MHA-100B1400	NEEDLE(HA x 1 #14)	1
15		SM-8040602-TP	SCREW	2
16		RE-0600000-K0	E-RING	1
17		A1835-090-0A0	BOBBIN CASE POSITIONING FINGER ASM.	1
18	*	A1835-090-A00	SPRING	(1)
19	*	SM-4020301-SN	SCREW	(1)
20		SM-5040855-SN	SCREW	1
21		A1837-700-00A	IDLING PREVENTING SPRING	1
22		A1837-090-0A0	BOBBIN CASE ASM.	1
23		A9117-007-000	BOBBIN	1
24		A1830-096-0A0A	HOOK ASM.	1
25		SS-6110560-TP	SCREW	(3)
26		A2462-D25-000	ROLLER HOLDING CAM	1
27		A1802-007-000	HOOK DRIVING SHAFT FRONT BUSHING	1
28		B1806-038-000	FELT	2
29		A1801-D98-000	HOOK DRIVING SHAFT	1
30		A1807-090-000	HOOK DRIVING SHAFT PULLEY	1
31		A1809-096-00A	ECCENTRIC SHAFT BUSHING	1
32		SM-8050402-TP	SCREW	2
33		A1891-096-0A0	HOOK DRIVING SHAFT THRUST COLLAR ASM.	1
34		SM-8040402-TP	SCREW	(2)
35		A2461-D25-000	TREAD CUTTER AUXILIARY CAM	1
36		SM-8040402-TP	SCREW	2
37		A2402-090-0A0B	THREAD CUTTER CAM ASM.	1
38		SM-8050602-TP	SCREW	(2)
39		A1450-096-0B0	THREAD SUPPORTING PLATE ASM.	1
40		SM-5030655-SN	SCREW	(2)
41	*	PH-0200062-C0	PIN B	(1)
42		A1450-096-0A0	THREAD SUPPORTING PLATE ASM.	(1)
43	*	A1450-096-000	THREAD SUPPORTING PLATE	(1)
44	*	A1431-096-0A0	THREAD LEVER SUPPORTING PLATE ASM.	(1)
45	*	A1453-096-000	SLIDE PLATE	(1)
46		RE-0250000-K0	E-RING	(2)
47		A1433-096-000	SPRING	(1)
48		A1452-096-000	THREAD GUIDE	(1)
49		SM-5030355-SN	SCREW	(1)
50		A1419-D25-000	NEEDLE BAR THREAD GUIDE	(1)
51		SM-5030355-SN	SCREW	(1)
52	*	A1432-096-000A	THREAD BAR	(1)
53	*	A1426-096-000	THREAD OPERATING CYLINDER A	(1)
54	*	A1432-096-00A	PIN A	(1)
55	*	A1434-096-000	SPRING	(1)
56		A1432-096-00C	PIN C	(1)
57		A1451-096-000	THREADER BAR SUPPORT	(1)
58	*	A1426-096-00B	THREADER OPERATING CYLINDER B	(1)
59		SM-1860601-SC	SCREW	(2)
60		A1430-096-000	THREAD LEVER	(1)
61		A1805-D98-0A0	HOOK DRIVING SHAFT GEAR ASM.	1
62		SM-8050402-TP	SCREW	(2)
63		A1440-D25-0A0	THREADER HOOK HOLDER ASM.	1
64		SL-5040631-SE	SCREW	1
65		SM-4040655-SN	SCREW	1
66		WP-0850616-SP	WASHER A	1
67		WP-0700616-SP	WASHER B	1
68		A1804-007-000	HOOK DRIVING SHAFT REAR BUSHING	1
69		SM-8050602-TP	SCREW	1
70		A1809-D98-000	PULLY ECCENTRIC SHAFT	1
71		A1413-096-0A0	NEEDLE ROD GUIDE ASM.	1
72		SM-8030402-TP	SCREW	(1)

PLEASE REFER TO REMARKS FOR PARTS MARKED WITH (*)

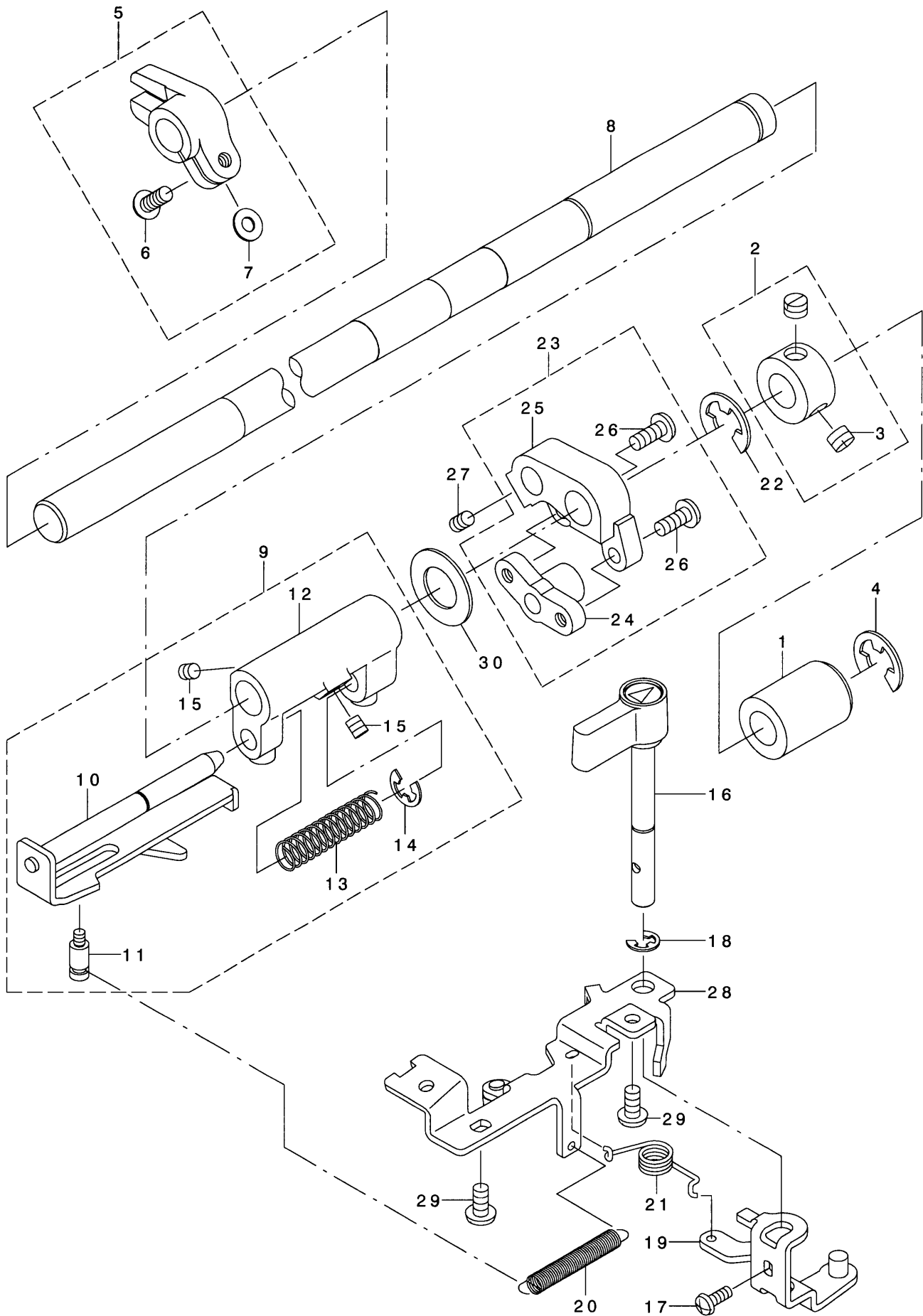
5. FEED MECHANISM COMPONENTS



NO.	NOTE	PART NO.	DESCRIPTION	Qty
1		SM-4860655-SN	SCREW	2
2		A1208-090-000	FEED CAM THRUST PLATE	1
3		A1701-090-000	FEED ROD	1
4		A1207-090-0A0	FEED CAM ASM.	1
5		SM-8060802-TP	SCREW	(2)
6		RE-0600000-K0	E-RING	3
7		A1618-090-000	CONNECTING SHAFT	1
8		A1614-090-0A0	FORKED ROD ASM.	1
9		RE-0600000-K0	E-RING	1
10		A1619-090-0A0	FORKED LINK ASM.	1
11		SM-8050602-TP	SCREW	(1)
12		A1618-090-000	FORKED ROD SHAFT	1
13		A1622-090-0A0	FEED REGULATOR ASM.	1
14		SM-8050602-TP	SCREW	(2)
15		A1627-090-000A	ROTATION STOPPER	1
16		A1625-090-000A	FEED REGULATOR SHAFT	1
17		RE-0600000-K0	E-RING	1
18		NM-6030002-SF	NUT	1
19		SM-8031400-TP	SCREW	1
20		A1653-090-000	STOPPER	1
21		SM-5030655-SN	SCREW	1
22		B1148-012-000	SPRING	1
23		A1147-090-000	PIN	1
24		A1652-090-000	SCREW	1
25		A1647-096-0A0	FEED DIAL ASM.	1
26		SM-8030402-TP	SCREW	2
27		A1618-090-000	FORKED ROD CONNECTING SHAFT	1
28		RE-0600000-K0	E-RING	1
29		A1618-090-000	FEED ROD CONNECTING SHAFT	1
30		RE-0600000-K0	E-RING	1
31		A1602-090-000	FEED BASE	1
32		SM-8030502-TP	SCREW	1
33		A1603-090-000	FEED BASE SHAFT	1
34		RE-0300000-K0	E-RING	1
35		A1605-090-0A0	FEED SHAFT ARM ASM.	1
36		SM-4041055-SP	SCREW	(1)
37		WP-0430801-SD	WASHER	(1)
38		RE-0200000-K0	E-RING	1
39		SM-8030502-TP	SCREW	1
40		A1710-090-000	FEED BASE SQUARE BLOCK	1
41		A1606-090-000	SCREW	2
42		A1635-090-000	FEED DOG A	1
43		A1711-090-000	SQUARE BLOCK SHAFT	1
44		A1601-096-000	FEED ROD SHAFT	1
45		A1612-090-0A0	FEED ROD ARM ASM.	1
46		SM-8040602-TP	SCREW	(1)
47		SM-5041455-SP	SCREW	(1)
48		WP-0430801-SD	WASHER	(1)
49		A1203-008-0A0	THRUST COLLAR ASM.	1
50		SM-8060502-TP	SCREW	(2)
51		A1604-090-000	REAR BUSHING	1
52		RE-0800000-K0	E-RING	1
53		A1626-090-000A	FEED REGULATOR SHAFT BUSHING	1
54		SM-5041255-SN	SCREW	1
55		A1620-090-0B0	FEED REGULATOR LEVER ARM (PARTIAL ASM.)	1
56	*	A1621-090-000	FEED REGULATOR LEVER SHAFT	(1)
57	*	A1620-090-0A0	FEED REGULATOR LEVER ARM ASM.	(1)
58	*	A1683-090-000	SPRING	(1)
59	*	RE-0600000-K0	E-RING	(1)
60	*	A1623-090-000	INSTALLING PLATE	(1)
61		A1628-090-000A	FEED REGULATOR LEVER	1
62		SL-5030831-SF	SCREW	1
63		SM-5041055-SN	SCREW	1
64		WP-0430801-SC	WASHER	1
65		SM-5040855-SN	SCREW	2

PLEASE REFER TO REMARKS FOR PARTS MARKED WITH (*)

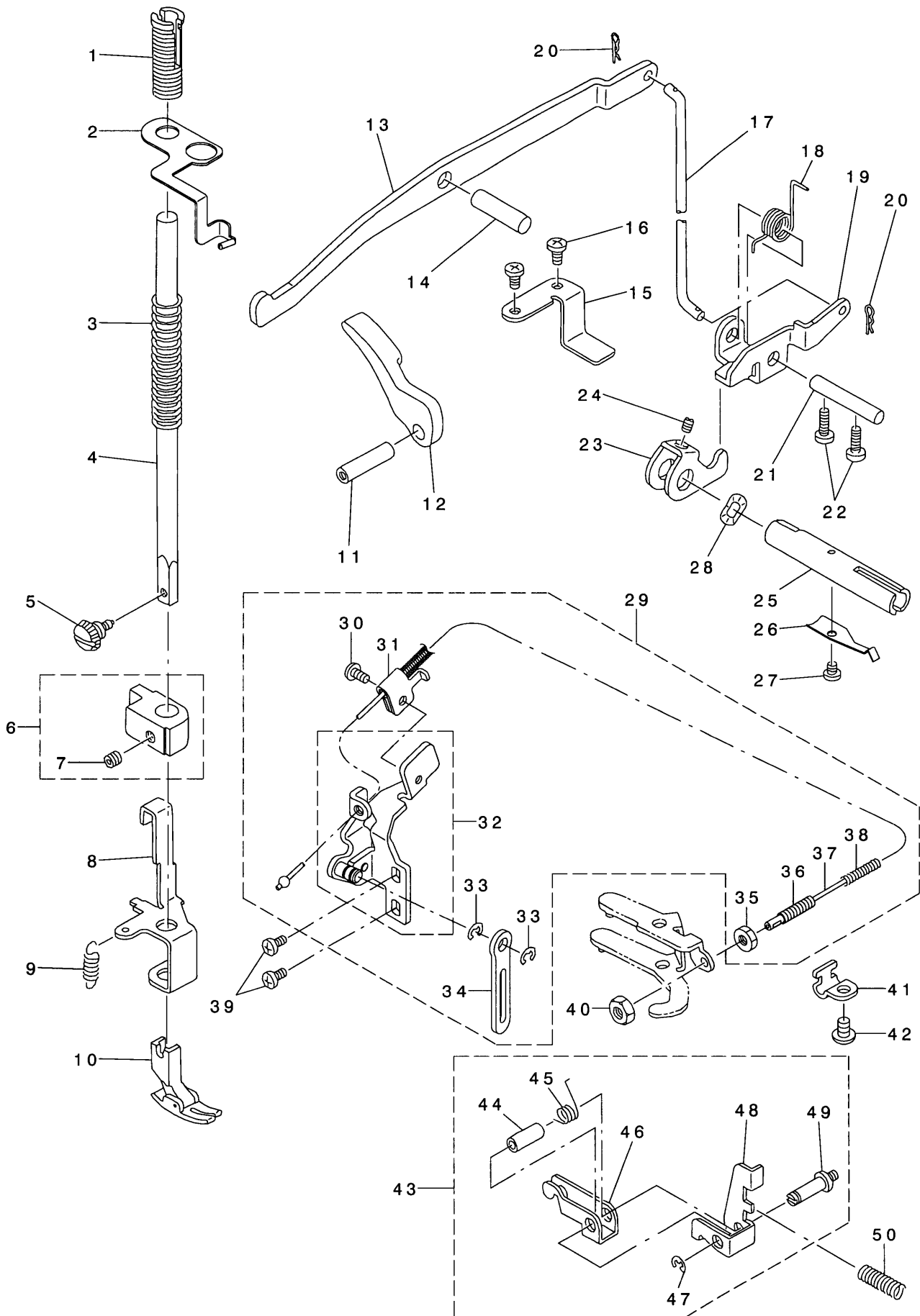
6. DROP FEED KNOB COMPONENTS



NO.	NOTE	PART NO.	DESCRIPTION	Qty
1		A1604-090-000	VERTICAL FEED SHAFT REAR METAL	1
2		A1203-008-0A0	THRUST COLLAR ASM.	1
3		SM-8060502-TP	SCREW	(2)
4		RE-0800000-K0	E-RING	1
5		A1704-090-0A0	VERTICAL FEED SHAFT ARM ASM.	1
6		SM-4041055-SP	SCREW	(1)
7		WP-0430801-SD	WASHER	(1)
8		A1601-096-000	VERTICAL FEED SHAFT	1
9		A1665-096-0B0A	DROP FEED CHANGE SHAFT PLATE MAS. ASM.	1
10		A1665-096-0A0A	DROP FEED CHANGE SHAFT PLATE ASM.	(1)
11		A1663-096-000	GUIDE PIN A	(1)
12		A1662-096-000	GUIDE	(1)
13		A1667-096-000	SPRING	(1)
14		RE-0500000-K0	E-RING	(1)
15		SM-8040402-TP	SCREW	(2)
16		A1674-D25-0A0	DROP FEED KNOB ASM.	1
17		SM-5030855-SN	SCREW	1
18		RE-0400000-K0	E-RING	1
19		A1671-096-0A0A	DROP FEED ADJUSTING ARM ASM.	1
20		A1668-096-000	GUIDE SPRING	1
21		A1673-096-000	SPRING	1
22		RE-0800000-K0	E-RING	1
23		A1702-096-0A0	VERTICAL FEED ARM ASM.	1
24	*	A1661-096-000	DROP FEED CONNECTING SHAFT SUPPORT	(1)
25	*	A1702-096-000	VERTICAL FEED ARM	(1)
26		SM-5041055-SN	SCREW	(2)
27		SM-8040602-TP	SCREW	1
28		A2446-096-0A0	WIRE INSTALLING PLATE ASM.	1
29		SM-5040855-SN	SCREW	2
30		WP-1000316-RZ	WASHER	1

PLEASE REFER TO REMARKS FOR PARTS MARKED WITH (*)

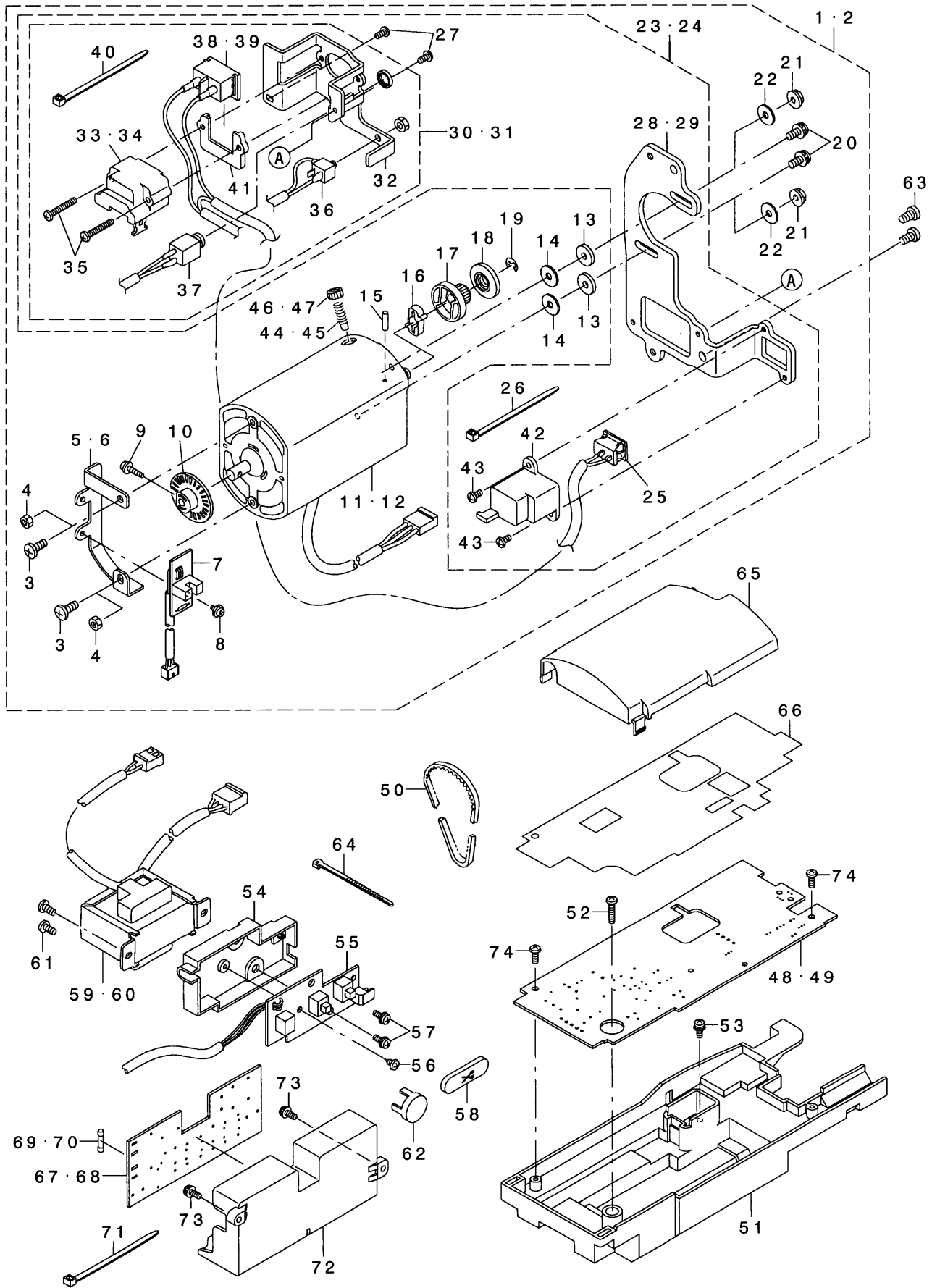
7. PRESSER, KNEE LIFTER, WIRE HOLDER AND THREAD RELEASE COMPONENTS



NO.	NOTE	PART NO.	DESCRIPTION	Qty
1		A1509-090-000	PRESSER REGULATING SCREW	1
2		A1503-D25-0A0	PRESSURE INDICATOR ASM.	1
3		A1505-D25-000	PRESSER SPRING	1
4		A1501-090-000	PRESSER BAR	1
5		A1132-025-000	SCREW	1
6		A1507-096-0A0	PRESSER BAR CONNECTION ASM.	1
7		SM-8060502-TP	SCREW	(1)
8		A1508-090-000	PRESSER LEVER	1
9		A1515-090-000	SPRING	1
10		B1524-012-0A0	STANDARD PRESSER FOOT ASM.	1
11		A1513-090-000	LIFTING LEVER SHAFT	1
12		A1512-090-000	LIFTING LEVER	1
13		A3406-090-000	KNEE LIFTER LEVER	1
14		A3407-090-000	KNEE LIFTER LEVER SHAFT	1
15		A3408-090-000	STOPPING PLATE	1
16		SM-5040855-SN	SCREW	2
17		A3413-090-000	KNEE LIFTER LINK	1
18		A3411-090-000	SPRING	1
19		A3412-096-000	PLATE	1
20		A3413-090-00A	SNAP PIN	2
21		A3410-090-000	CLAW LEVER SHAFT	1
22		SM-5041255-SN	SCREW	2
23		A3422-090-000	CLAW LEVER ACTUATING PLATE	1
24		SM-8040602-TP	SCREW	1
25		A3420-090-000	KNEE LIFTER LEVER SHAFT	1
26		A3421-090-000A	SPRING	1
27		SM-5030455-SF	SCREW	1
28		A3106-202-000	WASHER	1
29		A2440-D25-0C0	WIRE HOLDER MAS. ASM.	1
30		SM-5030655-SN	SCREW	(1)
31	*	A2449-090-000	WIRE TUBE HOLDER B	(1)
32	*	A2440-D25-0A0	WIRE HOLDER (PARTIAL ASM.)	(1)
33	*	RE-0300000-K0	E-RING	(2)
34	*	A2444-090-000	CONNECTING LINK	(1)
35		NS-6620310-SP	NUT	(1)
36	*	D3159-555-B00	WIRE SET SCREW	(1)
37	*	A2447-090-000	WIRE CABLE	(1)
38	*	A2448-090-000	WIRE TUBE	(1)
39		SM-5040855-SN	SCREW	2
40		NS-6620310-SP	NUT	1
41		A2441-096-000	WIRE TUBE HOLDER	1
42		SM-4040655-SN	SCREW	1
43		A1517-090-0A0	THREAD RELEASE PLATE ASM.	1
44	*	A1517-090-00C	BUSHING	(1)
45	*	A1517-090-00D	SPRING	(1)
46	*	A1517-090-00B	THREAD RELEASE PLATE B	(1)
47		RE-0300000-K0	E-RING	(1)
48	*	A1517-090-00A	THREAD RELEASE PLATE A	(1)
49	*	A1518-090-000	THREAD RELEASE PLATE SHAFT	(1)
50		A1519-090-000	SPRING	1

PLEASE REFER TO REMARKS FOR PARTS MARKED WITH (*)

8. MOTOR AND MAIN CIRCUIT BOARD COMPONENTS



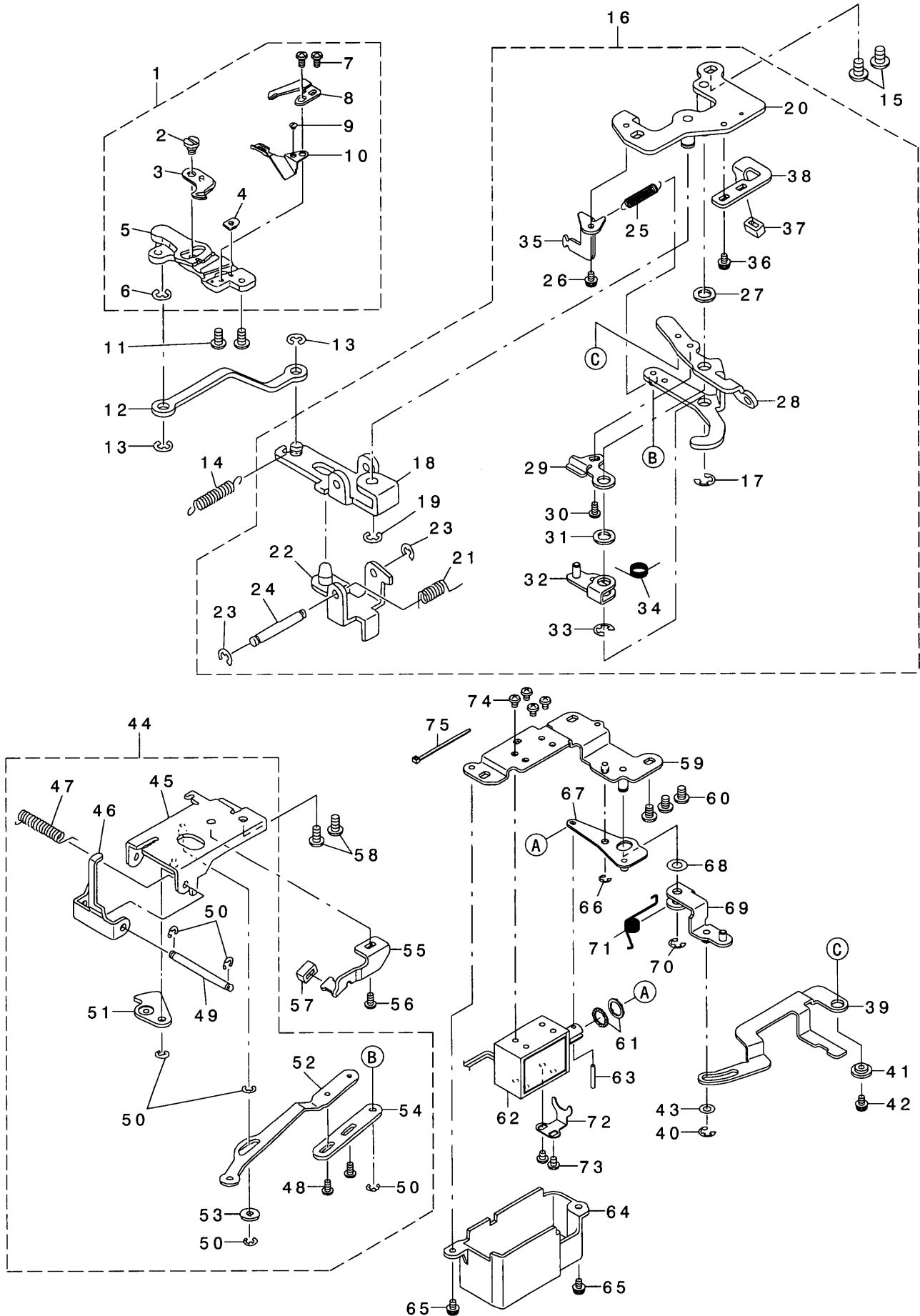
NO.	NOTE	PART NO.	DESCRIPTION	Qty
1	#01	A7100-Q98-XC0	MOTOR C ASM.	1
2	#02	A7100-Q98-ZC0	MOTOR C ASM.	1
3	#01	ST-5041051-SC	SCREW	(2)
4	#02	NM-6040001-SN	NUT	(2)
5	#01	A7120-Q98-X00	MOTOR BOARD INSTALLING BASE	(1)
6	#02	A7120-096-000	MOTOR BOARD INSTALLING BASE	(1)
7		A7122-D25-0A0	MP DETECTION BOARD ASM.	(1)
8		SL-5030531-SF	SCREW	(1)
9		SL-5031251-SP	SCREW	(1)
10		A7121-096-0A0	MP DETECTION BOARD SHUT PLATE ASM.	(1)
11	#01	A7100-Q98-XA0	MOTOR A ASM.	(1)
12	#02	A7100-Q98-ZA0	MOTOR A ASM.	(1)
13	#02	060702001-000	SPACER	(1)
14	#02	WP-0451016-SC	WASHERS	(1)
15		PS-0200142-KP	MOTOR SHAFT PULLEY PIN	(1)
16		A7100-009-00C	MOTOR RUBBER CUSHION	(1)
17		A7100-D98-00A	MOTOR SHAFT PULLEY	(1)
18		A7100-D98-00B	PULLEY FLANGE	(1)
19		RE-0400000-KR	E-RING	(1)
20	#01	SL-5041031-SF	SCREW	(2)
21	#02	NM-3040550-SC	NUT	(2)
22	#02	A7113-D25-000	WASHER	(1)
23	#01	A7101-Q98-XA0	MOTOR BRACKET ASM.	(1)
24	#02	A7101-Q98-ZA0	MOTOR BRACKET ASM.	(1)
25		A4032-01S-Z00	POWER SWITCH	(1)
26	#02	A4078-550-00B	CLIP BAND	(1)
27		SM-5030655-SN	SCREW	(2)
28	#01	A7101-Q98-X00	MOTOR BRACKET	(1)
29	#02	A7101-090-000	MOTOR BRACKET	(1)
30	#01	A4501-E98-XA0	INLET INSTALLING PLATE ASM.	(1)
31	#02	A4501-Q98-ZA0	INLET INSTALLING PLATE ASM.	(2)
32		A4501-E98-Z00	INLET INSTALLING PLATE	(1)
33	#01	A4503-D25-000	INLET COVER	(1)
34	#02	A4503-E98-Z00	INLET COVER	(1)
35		SM-5032051-SE	SCREW	(2)
36		A7300-E98-ZA0A	EXTERNAL THREAD TRIMMING SOCKET ASM.	(1)
37		A4015-E98-ZA0	CONTROLLER SOCKET ASM.	(1)
38	#01	A4100-Q98-XA0	POWER CORD INLET ASM.	(1)
39	#02	A4100-Q98-ZA0	POWER CORD INLET ASM.	(1)
40		A4078-550-00B	CLIP BAND	(1)
41	#01	A4502-D25-000	INLET COVER LID	(1)
42	#01	A4504-D25-Z00	COVER	(1)
43	#01	SM-5030655-SN	SCREW	(2)
44	#01	A7100-Q98-X0D	CARBON BRUSH	(2)
45	#02	A7100-090-00D	CARBON BRUSH	(2)
46	#01	A7100-Q98-X0E	BRUSH CAP	(2)
47	#02	A7100-090-00E	BRUSH CAP	(2)
48	#02	A4040-Q98-ZA0	MAIN BOARD ASM.	1
49	#01	A4040-Q98-XA0	MAIN BOARD ASM.	1
50		A7112-090-000	MOTOR TIMING BELT	1
51		A4043-D25-000	POWER BOARD COVER	1
52		SM-5031401-SE	SCREW B	1
53		SL-5030831-SF	SCREW A	1
54		A3225-096-000	THREAD TRIMMER SWITCH BOARD CASE	1
55		A3227-D25-0B0	THREAD TRIMMER SWITCH BOARD ASM.	1
56		ST-5030551-SR	SCREW	1
57		SL-5030831-SF	SCREW	2
58		A3228-D25-000	THREAD TRIMMER SWITCH BUTTON	1
59	#01	A4505-Q98-XA0	POWER TRANSFORMER ASM.	1
60	#02	A4505-Q98-ZA0	POWER TRANSFORMER ASM.	1
61		SM-5040855-SN	SCREW	2
62		A4011-096-000	HALF STITCH SWITCH BUTTON	1
63		SM-5050855-SN	SCREW	2
64		A4078-550-00B	MAIN BOARD CLIP BAND	4
65		A4042-D25-000	CASE COVER	1
66		A4044-D25-000	MAIN BOARD INSULATION SEAT	1
67	#01	A4035-Q98-XA0	FILTER BOARD ASM.	1
68	#02	A4035-Q98-ZA0	FILTER BOARD ASM.	1
69	#01	HF-0030031-P0	FUSE	1
70	#02	HF-0059050-P0	FUSE	1
71		A4078-550-00B	FILTER BOARD CLIP BAND	1
72		A4016-D25-000	FILTER BOARD COVER	1
73		SL-5030851-SN	SCREW	1
74		ST-5030851-SN	SCREW	2

#01... FOR CE

#02... FOR UL

PLEASE REFER TO REMARKS FOR PARTS MARKED WITH (*)

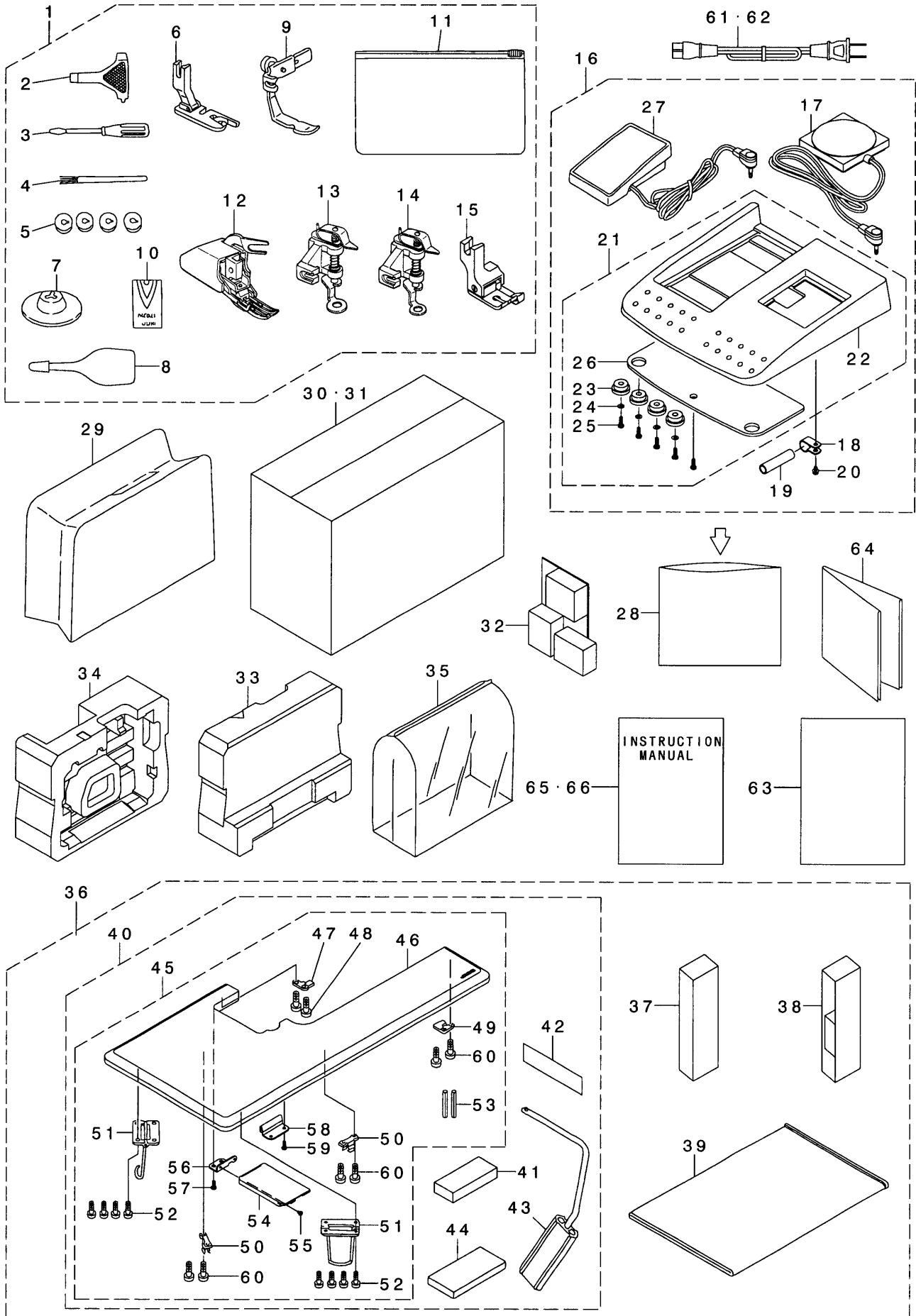
9. MOVING KNIFE, LOOPER AND THREAD TRIMMER SOLENOID COMPONENTS



NO.	NOTE	PART NO.	DESCRIPTION	Qty
1		A1872-090-0B0A	MOVING KNIFE BASE MAS. ASM.	1
2	*	A1873-090-000	SCREW	(1)
3		A1888-096-000	MOVING KNIFE	(1)
4	*	D2404-555-B00	COUNTER KNIFE MOUNTING PLATE	(1)
5	*	A1872-090-0A0	MOVING KNIFE BASE ASM.	(1)
6		RE-0400000-K0	E-RING	(1)
7		SM-5030655-SN	SCREW	(2)
8		D2406-555-D0H	COUNTER KNIFE	(1)
9		SS-2060210-SP	SCREW	(1)
10	*	A1890-090-000A	KNIFE THREAD GUIDE	(10)
11		SM-4040855-SP	SCREW	2
12		A1882-D25-000	MOVING KNIFE LINK	1
13		RE-0400000-K0	E-RING	2
14		A1869-090-000	MOVING KNIFE ARM SPRING	1
15		SM-4050855-SP	SCREW	2
16		A1870-D25-0C0	MOVING KNIFE INSTALLING PLATE MAS. ASM.	1
17		RE-0500000-K0	E-RING	(1)
18	*	A1876-090-0A0	MOVING KNIFE ARM ASM.	(1)
19		RE-0500000-K0	E-RING	(1)
20	*	A1870-D25-0A0	MOVING KNIFE INSTALLING PLATE ASM.	(1)
21	*	A1881-090-000	SPRING	(1)
22	*	A1878-090-0A0	MOVING KNIFE ROLLER ARM ASM.	(1)
23		RE-0400000-K0	E-RING	(2)
24	*	A1880-090-000	ROLLER ARM SHAFT	(1)
25		A1734-D25-000	SPRING	(1)
26		SL-5030631-SS	SCREW	(1)
27		A1728-090-00A	WASHER	(1)
28		A1727-D25-0A0	LOOPER LINK ARM ASM.	(1)
29		A1726-D25-000	LINK ARM FIXING PLATE	(1)
30		SM-5030631-SF	SCREW	(1)
31		A1728-090-00A	WASHER	(1)
32		A1724-D25-0A0	LINK ARM SUPPORT PLATE ASM.	(1)
33		RE-0500000-0K0	E-RING	(1)
34		A1733-D25-000	SPRING	(1)
35		A1729-D25-000	LOOPER LINK ARM SPRING RACK	(1)
36		SL-5030631-SF	SCREW	(1)
37		A1735-D25-A00	STOPPER RUBBER	(1)
38		A1735-D25-000	LOOPER LINK ARM STOPPER PLATE	(1)
39		A1723-D25-000	THREAD TRIMMER SOLENOID LINK A	1
40		RE-0400000-K0	E-RING	1
41		A2435-033-000	COLLAR	1
42		SL-5030655-SF	SCREW	1
43		A3109-9DC-000	WASHER	1
44		A1705-D98-0B0A	LOOPER MAS. ASM.	1
45	*	A1706-090-0A0A	LOOPER INSTALLING ARM ASM.	(1)
46	*	A1705-D98-000	LOOPER	(1)
47	*	A1708-090-000	LOOPER SPRING	(1)
48	*	SM-5030655-SN	SCREW	(2)
49	*	A1707-090-000	LOOPER SHAFT	(1)
50	*	RE-0300000-K0	E-RING	(6)
51	*	A1712-090-0A0	LOOPER CAM ASM.	(1)
52	*	A1730-090-00A	LOOPER LINK A	(1)
53	*	A1731-090-000	WASHER	(1)
54	*	A1730-090-00B	LOOPER LINK B	(1)
55	*	A1732-D25-000	LOOPER STOPPER PLATE	1
56	*	SM-5030655-SN	SCREW	1
57	*	A1735-D25-A00	STOPPER RUBBER	1
58		SM-5040855-SN	SCREW	2
59		A2310-D25-0A0	SOLENOID INSTALLING BASE ASM.	1
60		SM-50406055-SN	SCREW	3
61		A2470-T70-000	CUSHION RUBBER	1
62		A2400-D25-0A0	THREAD TRIMMER SOLENOID ASM.	1
63		PS-0200142-KH	PIN	1
64		A2401-D25-000	SOLENOID COVER	1
65		SL-5030655-SF	SCREW	2
66		RE-0300000-K0	E-RING	1
67		A2470-D25-0A0	OPERATING LINK	1
68		WP-0530516-RZ	WASHER	1
69		A2464-D25-0A0	AUXILIARY LINK ASM.	1
70		RE-0400000-K0	E-RING	1
71		A2467-D25-000	SPRING	1
72		A2469-T70-000	SOLENOID STOPPER	1
73		SM-5030355-SN	SCREW	2
74		SM-5030401-SN	SCREW	4
75		A4078-550-00B	CABLE BAND	1

PLEASE REFER TO REMARKS FOR PARTS MARKED WITH (*)

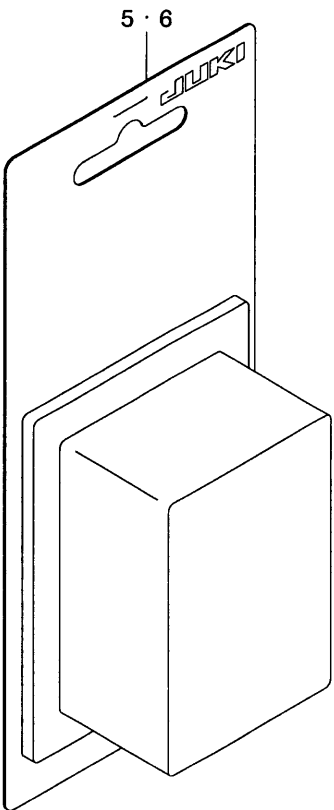
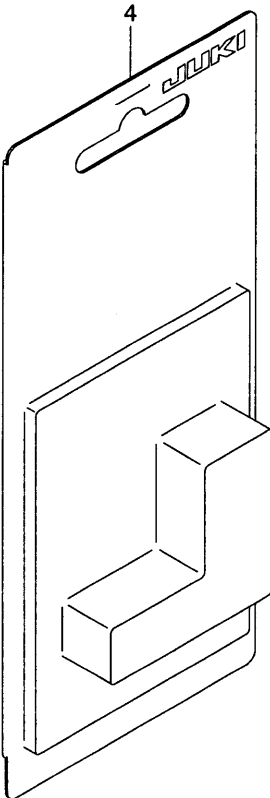
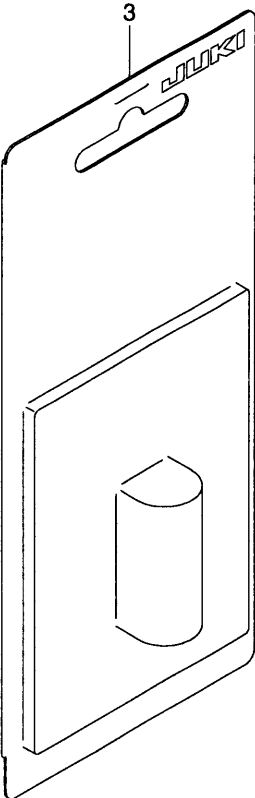
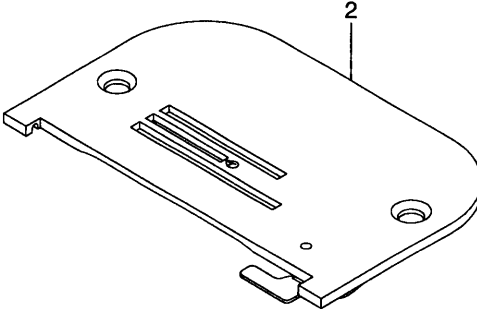
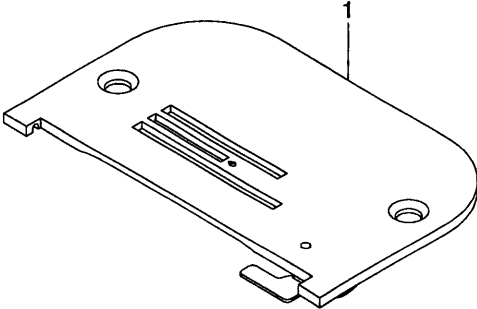
10. MOVING KNIFE, LOOPER AND THREAD TRIMMER SOLENOID COMPONENTS



NO.	NOTE	PART NO.	DESCRIPTION	Qty
1		A9121-D25-ZA0	ACCESSORY BAG ASM.	1
2		A9110-700-000	SCREWDRIVER	(1)
3		A9107-102-000	SCREWDRIVER(SMALL)	(1)
4		A9137-956-000	CLEANING BRUSH	(1)
5		A9117-007-000	BOBBIN	(4)
6		A9104-090-000	HEMMER	(1)
7		A1150-090-000	SPOOL CAP	(1)
8		A9102-062-BA0	OILER	(1)
9		A9133-090-000	ZIPPER FOOT	(1)
10		MHA1M-111422	NEEDLE(HA×1#11, #14)	(1)
11		A9121-503-000A	ACCESSORY BAG	(1)
12		A9150-E98-ZA0A	UPPER FEED ATTACHMENT ASM.	(1)
13		A5133-E98-AB0	1/4 QUILTING FOOT	(1)
14		A5133-E98-BB0	1/5 QUILTING FOOT	(1)
15		A5140-E98-ZA0	COMPENSATING FOOT ASM.	(1)
16		A8001-Q98-ZB0	PEDAL SWITCH CASE MAS. ASM.	1
17		A7310-E98-Z00	EXTERNAL THREAD TRIMMER SWITCH	(1)
18		HX-0012300-0A	CORD HOLDER	(1)
19		A8005-E98-Z00	CORD PROTECTION TUBE	(1)
20		SL-5030631-SF	SCREW	(1)
21		A8001-096-0A0	PEDAL SWITCH CASE ASM.	(1)
22		A8001-096-000	PEDAL SWITCH CASE	(1)
23		A1161-008-000A	RUBBER SEAT	(4)
24		WP-0430801-SC	WASHER	(4)
25		ST-5031051-SR	SCREW	(5)
26		A8002-096-000	PEDAL SWITCH INSTALLING PLATE	(1)
27		A7102-Q98-ZA0	CONTROLLER ASM.	(1)
28		A8006-096-000	PEDAL SWITCH CASE ASM. PACKING BAG	1
29		A8401-D25-000A	MAIN BODY CASE	1
30	#01	A9101-98P-X0C	CARTON CASE(HEAD)	1
31	#02	A9101-Q98-Z0C	CARTON CASE(HEAD)	1
32		A9402-D25-0A0	SET PLATE ASM.	1
33		A9301-D25-000	FRONT STYROFOAM	1
34		A9302-D25-000	REAR STYROFOAM	1
35		J0231-082-A0B	HEAD VINIL SHEET	1
36		A8501-E98-ZB0	AUXILIARY TABLE PACKING MAS. ASM.	1
37		A9401-D98-0AA	AUXILIARY TABLE SUPPORT PLATE, LEFT ASM.	(1)
38		A9400-D98-0AAA	AUXILIARY TABLE SUPPORT PLATE, RIGHT ASM.	(1)
39		A9404-090-000	AUXILIARY TABLE POLYETHYLENE BAG	(1)
40		A8501-E98-ZB0A	AUXILIARY TABLE MAS. ASM.	(1)
41		A9406-D98-000	KNEE PAD	(1)
42		A9405-D98-000	KNEE PAD FIXING TAPE	(3)
43		A3425-090-0A0A	KNEE PAD ASM.	(1)
44		A9405-090-000	KNEE PAD METAL FITTING BUFFER	(1)
45		A8501-E98-ZA0	AUXILIARY TABLE ASM.	(1)
46		A8501-E98-Z00	AUXILIARY TABLE	(1)
47		A8502-090-000	AUXILIARY TABLE CLAW A	(1)
48		ST-0751651-SN	SCREW	(2)
49		A8503-090-000	AUXILIARY TABLE CLAW B	(1)
50		A8504-090-000	KNEE PAD RETAINER	(2)
51		A8505-090-0A0	AUXILIARY TABLE STAND ASM.	(2)
52		ST-5041211-SN	SCREW	(8)
53		PS-0200142-KH	PIN	(2)
54		A8508-D98-000	BOBBIN LID	(1)
55		SL-5030635-SN	SCREW	(2)
56		A8509-D98-000	LID INSTALLING PLATE	(1)
57		ST-5041211-SN	SCREW	(2)
58		A8510-D98-000	HOOK SUPPORT BASE	(1)
59		ST-5041211-SN	SCREW	(2)
60		ST-5041211-SN	SCREW	(6)
61	#01	A4421-980-0AFC	POWER CORD SET ASM.	1
62	#02	A6071-776-ZA0A	POWER CORD SET ASM.	1
63	#02	A9153-65D-000	WARRANTY CARD	1
64	#02	A9900-Q98-Z00	PARTS SHEET	1
65	#01	A9250-98P-X00	INSTRUCTION MANUAL	1
66	#02	A9250-Q98-Z00	INSTRUCTION MANUAL	1

#01... FOR CE
#02... FOR UL

11. SEPARATELY – SOLD COMPONENTS



NO.	NOTE	PART NO.	DESCRIPTION	Qty
1		A1109-090-AA0	NEEDLE PLATE(FOR THIN MATERIALS)	1
2		A1109-090-BA0	NEEDLE PLATE(FOR THICK MATERIALS)	1
3		A9812-E98-ZA0	LAMP BLISTER PACK ASM.	1
4		A9813-E98-ZA0	PRESSER FOOT FOR THIN MATERIALS ASM.	1
5		A9811-E98-AA0	1/5 QUILTING FOOT	1
6		A9811-E98-BA0	1/4 QUILTING FOOT	1

JUKI CORPORATION
HOUSEHOLD SEWING MACHINE DIVISION
8-2-1, KOKURYO-CHO,
CHOFU-SHI, TOKYO 182-8655
JAPAN

PHONE : (81)3-3480-5034
FAX : (81)3-3480-5037

Copyright © 2004 JUKI CORP.
All rights reserved throughout the world.

04.03 Printed in Japan
